

M-SYSTEMS AND CLUSTER ALGEBRAS

QIAN-QIAN ZHANG, BING DUAN, JIAN-RONG LI, YAN-FENG LUO

ABSTRACT. The aim of this paper is two-fold: (1) introduce four systems of equations called M-systems and dual M-systems of types A_n and B_n respectively; (2) make a connection between M-systems (dual M-systems) and cluster algebras and prove that the Hernandez-Leclerc conjecture is true for minimal affinizations of types A_n and B_n .

Key words: M-systems; cluster algebras; quantum affine algebras; minimal affinizations; q -characters; monoidal categorification of cluster algebras

2010 Mathematics Subject Classification: 13F60; 17B37

1. INTRODUCTION

In the paper [FZ02], Fomin and Zelevinsky introduced the theory of cluster algebras to study canonical bases of quantum groups introduced by Lusztig [L90] and Kashiwara [K91] and total positivity for semisimple algebraic groups developed by Lusztig [L94]. It has exciting connections and applications to many areas of mathematics and physics including integrable systems, Poisson geometry, quiver representations, Teichmüller theory, and tropical geometry.

The aim of this paper is two-fold:

- (1) introduce four systems of equations called M-systems and dual M-systems of types A_n and B_n respectively;
- (2) make a connection between M-systems (dual M-systems) and cluster algebras and prove that the Hernandez-Leclerc conjecture (Conjecture 13.2 in [HL10] and Conjecture 9.1 in [Le10], Conjecture 5.2 in [HL13]) is true for minimal affinizations of types A_n and B_n .

Let \mathfrak{g} be a simple Lie algebra and $U_q\widehat{\mathfrak{g}}$ the corresponding quantum affine algebra. The T-systems are functional relations which were defined in [KNS94]. Nakajima and Hernandez proved that the q -characters of Kirillov-Reshetikhin modules satisfy the T-systems, see [Nak03], [Nak04], [Her06]. By the works [HL10], [Nak11], [IIKKN13a], [IIKKN13b], the T-systems are embedded in the cluster algebras associated with certain quivers.

In [HL10], Hernandez and Leclerc introduced the concept of monoidal categorifications of cluster algebras. They gave the following conjecture (we will recall the definition of \mathcal{C}_ℓ in Section 6, see [HL10], [HL13]).

Conjecture 1.1 (Conjecture 13.2 in [HL10], Conjecture 9.1 in [Le10], Conjecture 5.2 in [HL13]). *The Grothendieck ring of some subcategory \mathcal{C}_ℓ of the category \mathcal{C} of all finite-dimensional $U_q\widehat{\mathfrak{g}}$ -modules has a cluster algebra structure. The simple $U_q\widehat{\mathfrak{g}}$ -modules which are prime and real are cluster variables in some cluster algebra.*

In the case of types A_n and D_4 , $\ell = 1$, Conjecture 1.1 is proved in [HL10]. In the case of types ADE , $\ell = 1$, Conjecture 1.1 is proved in [Nak11]. The work of [Nak11] is generalized to

all acyclic quivers by [KQ14] and [Lee13]. It is proved in [HL13] that Conjecture 1.1 is true for Kirillov-Reshetikhin modules in all types.

The realization of the T-systems for non-simply laced types, including type B_n , in cluster algebras was first given by [IIKKN13a], [IIKKN13b]. In the paper [HL13], Hernandez and Leclerc apply the theory of cluster algebras to study the q -characters of a family of $U_q\widehat{\mathfrak{g}}$ -modules called Kirillov-Reshetikhin modules and they give a new algorithm to compute the q -characters of these modules.

The family of minimal affinizations of quantum groups is an important family of simple modules of $U_q\widehat{\mathfrak{g}}$ which was introduced in [C95]. The celebrated Kirillov-Reshetikhin modules are examples of minimal affinizations. Minimal affinizations are studied intensively in recent years, see for example, [Her07], [MP07], [M10], [CG11], [MP11], [MY12a], [MY12b], [CMY13], [LM13], [Nao13], [Nao14], [MY14], [QL14], [S14], [Li15].

Mukhin and Young introduced the extended T-systems in [MY12b] and they showed that the extended T-systems of types A_n , B_n are satisfied by the q -characters of a class of $U_q\widehat{\mathfrak{g}}$ -modules called snake modules of types A_n , B_n . The class of snake modules contains all minimal affinizations.

In this paper, we use a new approach to study minimal affinizations. The family of minimal affinizations for $U_q\widehat{\mathfrak{g}}$ can be divided into two parts according to the highest weight monomials. For example, in type A_n , let (the notations will be explained in Section 2)

$$M_{k_1, k_2, \dots, k_n}^{(s)} = \prod_{j=1}^n \left(\prod_{i_j=0}^{k_j-1} j_{s+2\sum_{p=1}^{j-1} k_p + 2i_j + (j-1)} \right),$$

$$\widetilde{M}_{k_1, k_2, \dots, k_n}^{(s)} = \prod_{j=1}^n \left(\prod_{i_j=0}^{k_j-1} j_{-s-2\sum_{p=1}^{j-1} k_p - 2i_j - (j-1)} \right).$$

The first (resp. second) part of the family of minimal affinizations of type A_n consists of minimal affinizations with highest weight monomials $M_{k_1, k_2, \dots, k_n}^{(s)}$ (resp. $\widetilde{M}_{k_1, k_2, \dots, k_n}^{(s)}$). The M-systems (resp. dual M-systems) introduced in this paper are systems of equations which are satisfied by the q -characters of first (resp. second) part of the family of minimal affinizations of $U_q\widehat{\mathfrak{g}}$, Theorem 3.1 (resp. 5.2).

The extended T-system of type A_n (resp. B_n) is closed within the family of snake modules of type A_n (resp. B_n), [MY12b]. The M-system of type A_n (resp. B_n) is closed within the family of minimal affinizations of type A_n (resp. B_n). By using an elementary involution of the Grothendieck ring, we obtain the dual M-systems of types A_n and B_n .

The union of the M-systems of types A_n , B_n , the dual M-systems of types A_n , B_n (defined in Theorem 5.2), and the T-systems of types A_n , B_n is a closed system which contains all minimal affinizations of types A_n , B_n (including Kirillov-Reshetikhin modules of types A_n , B_n).

The modules in the summands on the right hand side of each equation in the M-systems and dual M-systems are simple, Theorems 3.5, 5.2.

T-systems have many applications to mathematics and physics, see [KNS11]. Since the equations in M-systems and dual M-systems have some nice properties and they are satisfied by q -characters of some family of $U_q\widehat{\mathfrak{g}}$ -modules, we expect that M-systems and dual M-systems will have applications to mathematics and physics like T-systems.

We show that the equations in the M-system of type A_n (resp. B_n) correspond to mutations in some cluster algebra \mathcal{A} (resp. \mathcal{A}') introduced in [HL13]. Moreover, every minimal affinization in the M-system of type A_n (resp. B_n) corresponds to a cluster variable in \mathcal{A} (resp. \mathcal{A}').

There are cluster algebras $\widetilde{\mathcal{A}}, \widetilde{\mathcal{A}'}$ which are dual to \mathcal{A} and \mathcal{A}' respectively such that every minimal affinization in the dual M-system of type A_n (resp. B_n) corresponds to a cluster variable in $\widetilde{\mathcal{A}}$ (resp. $\widetilde{\mathcal{A}'}$).

We give a proof of the fact that minimal affinizations of types A_n and B_n are real. According to the results in [CMY13], minimal affinizations of all types are prime. Therefore minimal affinizations of type A_n (resp. B_n) are simple, real, and prime and they correspond to cluster variables in \mathcal{A} (resp. \mathcal{A}'). Thus we have shown that Conjecture 1.1 is true for minimal affinizations of types A_n and B_n .

We also have m-systems and dual m-systems of types A_n, B_n which are obtained from M-systems and dual M-systems of types A_n, B_n by restricting the modules in M-systems and dual M-systems to $U_q\mathfrak{g}$ -modules, Sections 3.3 and 5.2.

The M-systems also exist for other Dynkin types of minimal affinizations. The M-system of type G_2 is studied in the paper [QL14]. Since the method of proving that the q -characters of minimal affinizations satisfy the M-systems of types C, D, E, F are different from the method used in this paper, we will write them in other papers.

The paper is organized as follows. In Section 2, we give some background information about cluster algebras and representation theory of quantum affine algebras. In Section 3, we describe the M-systems of types A_n, B_n . In Section 4, we study relations between M-systems and cluster algebras. In Section 5, we study the dual M-systems of types A_n, B_n . In Section 6, we show that the Hernandez-Leclerc conjecture is true for minimal affinizations of types A_n and B_n . In Sections 7 and 8 we prove Theorems 3.1 and 3.5 given in Section 3. In the Appendix, we give some examples of mutation sequences.

2. PRELIMINARIES

2.1. Cluster algebras. Cluster algebras are invented by Fomin and Zelevinsky in [FZ02]. Let \mathbb{Q} be the rational field and $\mathcal{F} = \mathbb{Q}(x_1, x_2, \dots, x_n)$ the field of rational functions. A seed in \mathcal{F} is a pair $\Sigma = (\mathbf{y}, Q)$, where $\mathbf{y} = (y_1, y_2, \dots, y_n)$ is a free generating set of \mathcal{F} , and Q is a quiver with vertices labeled by $1, 2, \dots, n$. Assume that Q has neither loops nor 2-cycles. For $k = 1, 2, \dots, n$, one defines a mutation μ_k by $\mu_k(\mathbf{y}, Q) = (\mathbf{y}', Q')$. Here $\mathbf{y}' = (y'_1, \dots, y'_n)$, $y'_i = y_i$, for $i \neq k$, and

$$y'_k = \frac{\prod_{i \rightarrow k} y_i + \prod_{k \rightarrow j} y_j}{y_k}, \quad (2.1)$$

where the first (resp. second) product in the right hand side is over all arrows of Q with target (resp. source) k , and Q' is obtained from Q by

- (i) adding a new arrow $i \rightarrow j$ for every existing pair of arrow $i \rightarrow k$ and $k \rightarrow j$;
- (ii) reversing the orientation of every arrow with target or source equal to k ;
- (iii) erasing every pair of opposite arrows possible created by (i).

The mutation class $\mathcal{L}(\Sigma)$ is the set of all seeds obtained from Σ by a finite sequence of mutations μ_k . If $\Sigma' = ((y'_1, y'_2, \dots, y'_n), Q')$ is a seed in $\mathcal{L}(\Sigma)$, then the subset $\{y'_1, y'_2, \dots, y'_n\}$ is called a *cluster*, and its elements are called *cluster variables*. The *cluster algebra* \mathcal{A}_Σ is the subring of \mathcal{F} generated by all cluster variables. *Cluster monomials* are monomials in the cluster variables supported on a single cluster.

In this paper, the initial seed in the cluster algebra we use is of the form $\Sigma = (\mathbf{y}, Q)$, where \mathbf{y} is an infinite set and Q is an infinite quiver.

Definition 2.1 (Definition 3.1, [GG14]). *Let Q be a quiver without loops or 2-cycles and with a countably infinite number of vertices labelled by all integers $i \in \mathbb{Z}$. Furthermore, for each vertex i of Q let the number of arrows incident with i be finite. Let $\mathbf{y} = \{y_i \mid i \in \mathbb{Z}\}$. An infinite initial seed is a pair (\mathbf{y}, Q) . By finite sequences of mutations at vertices of Q and simultaneous mutations of the set \mathbf{y} using the exchange relation (2.1), one obtains a family of infinite seeds. The sets of variables in these seeds are called the infinite clusters and their elements are called the cluster variables. The cluster algebra of infinite rank of type Q is the subalgebra of $\mathbb{Q}(\mathbf{y})$ generated by the cluster variables.*

2.2. Quantum affine algebras. Let \mathfrak{g} be a simple Lie algebra and $I = \{1, \dots, n\}$ the indices of the Dynkin diagram of \mathfrak{g} (we use the same labeling of the vertices of the Dynkin diagram of \mathfrak{g} as the one used in [Car05]). Let $C = (C_{ij})_{i,j \in I}$ be the Cartan matrix of \mathfrak{g} , where $C_{ij} = \frac{2(\alpha_i, \alpha_j)}{(\alpha_i, \alpha_i)}$. There is a matrix $D = \text{diag}(d_i \mid i \in I)$ with entries in $\mathbb{Z}_{>0}$ such that $B = DC = (b_{ij})_{i,j \in I}$ is symmetric. We have $D = \text{diag}(d_i \mid i \in I)$, where $d_i = 1$, $i \in I$, for type A_n and $d_i = 2$, $i = 1, \dots, n-1$, $d_n = 1$, for type B_n . Let $t = \max\{d_i \mid i \in I\}$. Then $t = 1$ for type A_n and $t = 2$ for type B_n .

Quantum groups are introduced independently by Jimbo [Jim85] and Drinfeld [Dri87]. Quantum affine algebras are infinite-dimensional quantum groups. In this paper, we take q to be a non-zero complex number which is not a root of unity. The quantum affine algebra $U_q \widehat{\mathfrak{g}}$ in Drinfeld's new realization, see [Dri88], is generated by $x_{i,m}^\pm$ ($i \in I, m \in \mathbb{Z}$), $k_i^{\pm 1}$ ($i \in I$), $h_{i,m}$ ($i \in I, m \in \mathbb{Z} \setminus \{0\}$) and central elements $c^{\pm 1/2}$, subject to certain relations.

The subalgebra of $U_q \widehat{\mathfrak{g}}$ generated by $(k_i^\pm)_{i \in I}, (x_{i,0}^\pm)_{i \in I}$ is a Hopf subalgebra of $U_q \widehat{\mathfrak{g}}$ and is isomorphic as a Hopf algebra to the quantized enveloping algebra $U_q \mathfrak{g}$ of \mathfrak{g} . Therefore $U_q \widehat{\mathfrak{g}}$ -modules restrict to $U_q \mathfrak{g}$ -modules.

2.3. Finite-dimensional $U_q \widehat{\mathfrak{g}}$ -modules and q -characters. In this section, we recall the standard facts about finite-dimensional $U_q \widehat{\mathfrak{g}}$ -modules and their q -characters, see [CP94], [CP95a], [FR98].

A module V of $U_q \widehat{\mathfrak{g}}$ is of type 1 if $c^{\pm 1/2}$ acts as the identity on V and

$$V = \bigoplus_{\lambda \in P} V_\lambda, \quad V_\lambda = \{v \in V : k_i v = q^{(\alpha_i, \lambda)} v\}. \quad (2.2)$$

In the following, all modules will be assumed to be finite-dimensional and of type 1 without further comment. The decomposition (2.2) of a finite-dimensional module V into its $U_q \mathfrak{g}$ -weight spaces can be refined by decomposing it into the Jordan subspaces of the mutually commuting operators $\phi_{i,\pm r}^\pm$, see [FR98]:

$$V = \bigoplus_{\gamma} V_\gamma, \quad \gamma = (\gamma_{i,\pm r}^\pm)_{i \in I, r \in \mathbb{Z}_{\geq 0}}, \quad \gamma_{i,\pm r}^\pm \in \mathbb{C}, \quad (2.3)$$

where

$$V_\gamma = \{v \in V : \exists k \in \mathbb{N}, \forall i \in I, m \geq 0, (\phi_{i,\pm m}^\pm - \gamma_{i,\pm m}^\pm)^k v = 0\}.$$

Here $\phi_{i,n}^\pm$'s are determined by the formula

$$\phi_i^\pm(u) = \sum_{n=0}^{\infty} \phi_{i,\pm n}^\pm u^{\pm n} = k_i^{\pm 1} \exp\left(\pm(q - q^{-1}) \sum_{m=1}^{\infty} h_{i,\pm m} u^{\pm m}\right). \quad (2.4)$$

If $\dim(V_\gamma) > 0$, then γ is called an l -weight of V . For every finite-dimensional $U_q\widehat{\mathfrak{g}}$ -module, the l -weights are known, see [FR98], to be of the form

$$\gamma_i^\pm(u) = \sum_{r=0}^{\infty} \gamma_{i,\pm r}^\pm u^{\pm r} = q_i^{\deg Q_i - \deg R_i} \frac{Q_i(uq_i^{-1})R_i(uq_i)}{Q_i(uq_i)R_i(uq_i^{-1})}, \quad (2.5)$$

where the right hand side is to be treated as a formal series in positive (resp. negative) integer powers of u , and Q_i, R_i are polynomials of the form

$$Q_i(u) = \prod_{a \in \mathbb{C}^\times} (1 - ua)^{w_{i,a}}, \quad R_i(u) = \prod_{a \in \mathbb{C}^\times} (1 - ua)^{x_{i,a}}, \quad (2.6)$$

for some $w_{i,a}, x_{i,a} \in \mathbb{Z}_{\geq 0}, i \in I, a \in \mathbb{C}^\times$. Let \mathcal{P} denote the free abelian multiplicative group of monomials in infinitely many formal variables $(Y_{i,a})_{i \in I, a \in \mathbb{C}^\times}$.

There is a bijection m from the set of l -weights of finite-dimensional modules to \mathcal{P} given as follows. Let γ be the l -weight given by (2.5), (2.6). Then $m(\gamma) = \prod_{i \in I, a \in \mathbb{C}^\times} Y_{i,a}^{w_{i,a} - x_{i,a}}$. For an l -weight γ , we write $V_{m(\gamma)}$ for V_γ .

Let $\mathbb{Z}\mathcal{P} = \mathbb{Z}[Y_{i,a}^{\pm 1}]_{i \in I, a \in \mathbb{C}^\times}$ be the group ring of \mathcal{P} . The q -character of a $U_q\widehat{\mathfrak{g}}$ -module V is given by

$$\chi_q(V) = \sum_{m \in \mathcal{P}} \dim(V_m) m \in \mathbb{Z}\mathcal{P}.$$

Let \mathcal{R} be the Grothendieck ring of finite-dimensional $U_q\widehat{\mathfrak{g}}$ -modules and $[V] \in \mathcal{R}$ the class of a finite-dimensional $U_q\widehat{\mathfrak{g}}$ -module V . The q -character map defines an injective ring homomorphism, see [FR98],

$$\chi_q : \mathcal{R} \rightarrow \mathbb{Z}\mathcal{P}.$$

For any finite-dimensional $U_q\widehat{\mathfrak{g}}$ -module V , denote by $\mathcal{M}(V)$ the set of all monomials in $\chi_q(V)$. For each $j \in I$, a monomial $m = \prod_{i \in I, a \in \mathbb{C}^\times} Y_{i,a}^{u_{i,a}}$, where $u_{i,a}$ are some integers, is said to be j -dominant (resp. j -anti-dominant) if and only if $u_{j,a} \geq 0$ (resp. $u_{j,a} \leq 0$) for all $a \in \mathbb{C}^\times$. A monomial is called dominant (resp. anti-dominant) if and only if it is j -dominant (resp. j -anti-dominant) for all $j \in I$. Let $\mathcal{P}_+ \subset \mathcal{P}$ denote the set of all dominant monomials and for $i \in I$, let $\mathcal{P}_{i,+} \subset \mathcal{P}$ denote the set of all i -dominant monomials.

Let V be a $U_q\widehat{\mathfrak{g}}$ -module and $m \in \mathcal{M}(V)$ a monomial. A non-zero vector $v \in V_m$ is called a highest l -weight vector with highest l -weight $\gamma(m)$ if

$$x_{i,r}^+ \cdot v = 0, \quad \phi_{i,\pm t}^\pm \cdot v = \gamma(m)_{i,\pm t}^\pm v, \quad \forall i \in I, r \in \mathbb{Z}, t \in \mathbb{Z}_{\geq 0}.$$

The module V is called a highest l -weight representation if $V = U_q\widehat{\mathfrak{g}} \cdot v$ for some highest l -weight vector $v \in V$.

It is known, see [CP94], [CP95a], that for each $m_+ \in \mathcal{P}_+$ there is a unique finite-dimensional irreducible module, denoted $L(m_+)$, of $U_q\widehat{\mathfrak{g}}$ that is highest l -weight with highest l -weight $\gamma(m_+)$, and moreover every finite-dimensional irreducible $U_q\widehat{\mathfrak{g}}$ -module is of this form for some $m_+ \in \mathcal{P}_+$.

We call m_+ the *highest monomial* in $\chi_q(L(m_+))$. Also, if $m_+, m'_+ \in \mathcal{P}_+$ and $m_+ \neq m'_+$, then $L(m_+) \not\cong L(m'_+)$.

For $b \in \mathbb{C}^\times$, define the shift of spectral parameter map $\tau_b : \mathbb{Z}\mathcal{P} \rightarrow \mathbb{Z}\mathcal{P}$ to be a homomorphism of rings sending $Y_{i,a}^{\pm 1}$ to $Y_{i,ab}^{\pm 1}$. Let $m_1, m_2 \in \mathcal{P}_+$. If $\tau_b(m_1) = m_2$, then $\tau_b \chi_q(L(m_1)) = \chi_q(L(m_2))$.

The concept of special module was introduced in [Nak04] and the concept of anti-special module was introduced in [Her07]. A finite-dimensional $U_q \widehat{\mathfrak{g}}$ -module V is said to be *special* if and only if $\mathcal{M}(V)$ contains exactly one dominant monomial. It is called *anti-special* if and only if $\mathcal{M}(V)$ contains exactly one anti-dominant monomial. It is called *thin* if and only if all l -weight spaces of V have dimensions less or equal to 1. It is said to be *prime* if and only if it is not isomorphic to a tensor product of two non-trivial $U_q \widehat{\mathfrak{g}}$ -modules, see [CP97]. Clearly, if a module is special or anti-special, then it is irreducible. A simple $U_q \widehat{\mathfrak{g}}$ -module M is called *real* if $M \otimes M$ is simple, see [Le03].

For simplicity, we use $\chi_q(m_+)$ to denote $\chi_q(L(m_+))$ and use $\chi_q(m_1) \subseteq \chi_q(m_2)$ to denote $\mathcal{M}(L(m_1)) \subseteq \mathcal{M}(L(m_2))$ for dominant monomials m_+, m_1, m_2 .

The elements $A_{i,a} \in \mathcal{P}$, $i \in I, a \in \mathbb{C}^\times$, are defined by

$$A_{i,a} = Y_{i,aq_i} Y_{i,aq_i^{-1}} \prod_{C_{ji}=-1} Y_{j,a}^{-1} \prod_{C_{ji}=-2} Y_{j,aq}^{-1} Y_{j,aq^{-1}}^{-1} \prod_{C_{ji}=-3} Y_{j,aq^2}^{-1} Y_{j,a}^{-1} Y_{j,aq^{-2}}^{-1},$$

where $q_i = q^{d_i}$ (d_i is defined in Section 2.2), see [FR98].

Let \mathcal{Q} be the subgroup of \mathcal{P} generated by $A_{i,a}$, $i \in I, a \in \mathbb{C}^\times$. Let \mathcal{Q}^\pm be the monoids generated by $A_{i,a}^{\pm 1}$, $i \in I, a \in \mathbb{C}^\times$. There is a partial order \leq on \mathcal{P} in which

$$m \leq m' \text{ if and only if } m' m^{-1} \in \mathcal{Q}^+. \quad (2.7)$$

For all $m_+ \in \mathcal{P}_+$, $\mathcal{M}(L(m_+)) \subset m_+ \mathcal{Q}^-$, see [FM01].

We will need the concept right-negative to classify dominant monomials. Let m be a monomial. If for all $a \in \mathbb{C}^\times$ and $i \in I$, we have the property: if the power of $Y_{i,a}$ in m is non-zero and the power of Y_{j,aq^k} in m is zero for all $j \in I, k \in \mathbb{Z}_{>0}$, then the power of $Y_{i,a}$ in m is negative, then the monomial m is called *right-negative*, see [FM01]. For $i \in I, a \in \mathbb{C}^\times$, $A_{i,a}^{-1}$ is right-negative. A product of right-negative monomials is right-negative. If m is right-negative and $m' \leq m$, then m' is right-negative, see [FM01], [Her06].

2.4. Minimal affinizations of $U_q \mathfrak{g}$ -modules. Minimal affinizations of $U_q \mathfrak{g}$ -modules are $U_q \widehat{\mathfrak{g}}$ -modules introduced by Chari in [C95]. They are defined as follows.

Let $\omega : \mathcal{P} \rightarrow P^+$ be a map defined by for $m = \prod_{i \in I, a \in \mathbb{C}^\times} Y_{i,a}^{u_{i,a}}$, $\omega(m) = \sum_{i \in I, a \in \mathbb{C}^\times} u_{i,a} \omega_i$.

Definition 2.2 ([C95]). *Let V be a simple finite-dimensional $U_q \mathfrak{g}$ -module, a simple finite-dimensional $U_q \widehat{\mathfrak{g}}$ -module $L(m)$ is said to be an affinization of V if $\omega(m)$ is the highest weight of V .*

Let V be a finite-dimensional $U_q \mathfrak{g}$ -module and $\lambda \in P$. The multiplicity of the simple $U_q \mathfrak{g}$ -module of highest weight λ in V is denoted by $m_\lambda(V)$. Two affinizations are said to be equivalent if they are isomorphic as $U_q \mathfrak{g}$ -modules. Let \mathcal{Q}_V be the equivalence classes of affinizations of V . The equivalence class of an affinization L of V is denoted by $[L] \in \mathcal{Q}_V$. Let $[L], [L'] \in \mathcal{Q}_V$. We write $[L] \leq [L']$ if and only if for all $\mu \in P$, either $m_\mu(L) \leq m_\mu(L')$ or there exists $\nu > \mu$ such that $m_\nu(L) < m_\nu(L')$. Then “ \leq ” defines a partial ordering on \mathcal{Q}_V .

Definition 2.3 ([C95]). *A minimal affinization of V is a minimal element of \mathcal{Q}_V with respect to the partial ordering “ \leq ”.*

In the case of $\mathfrak{g} = \mathfrak{sl}_2$, the minimal affinizations are evaluation modules.

From now on, we fix an $a \in \mathbb{C}^\times$ and denote $i_s = Y_{i, aq^s}$, $i \in I$, $s \in \mathbb{Z}$. Let $\lambda = k_1\omega_1 + \cdots + k_n\omega_n$, $k_1, \dots, k_n \in \mathbb{Z}_{\geq 0}$, and let $V(\lambda)$ be the simple $U_q\mathfrak{g}$ -module with highest weight λ . Without loss of generality, we may assume that in type A_n a simple $U_q\widehat{\mathfrak{g}}$ -module $L(m_+)$ is a minimal affinization of $V(\lambda)$ if and only if m_+ is one of the following monomials:

$$M_{k_1, k_2, \dots, k_n}^{(s)} = \prod_{j=1}^n \left(\prod_{i_j=0}^{k_j-1} j_{s+2 \sum_{p=1}^{j-1} k_p + 2i_j + (j-1)} \right), \quad (2.8)$$

$$\widetilde{M}_{k_1, k_2, \dots, k_n}^{(s)} = \prod_{j=1}^n \left(\prod_{i_j=0}^{k_j-1} j_{-s-2 \sum_{p=1}^{j-1} k_p - 2i_j - (j-1)} \right), \quad (2.9)$$

where $s \in \mathbb{Z}$, see [CP96a]. Similarly, we may assume that in type B_n , a simple $U_q\widehat{\mathfrak{g}}$ -module $L(m_+)$ is a minimal affinization of $V(\lambda)$ if and only if m_+ is one of the following monomials:

$$M_{k_1, k_2, \dots, k_n}^{(s)} = \left(\prod_{j=1}^{n-1} \left(\prod_{i_j=0}^{k_j-1} j_{s+4 \sum_{p=1}^{j-1} k_p + 4i_j + 2j-2} \right) \right) \prod_{i_n=0}^{k_n-1} n_{s+4 \sum_{p=1}^{n-1} k_p + 2i_n + 2n-3}, \quad (2.10)$$

$$\widetilde{M}_{k_1, k_2, \dots, k_n}^{(s)} = \left(\prod_{j=1}^{n-1} \left(\prod_{i_j=0}^{k_j-1} j_{-s-4 \sum_{p=1}^{j-1} k_p - 4i_j - 2j+2} \right) \right) \prod_{i_n=0}^{k_n-1} n_{-s-4 \sum_{p=1}^{n-1} k_p - 2i_n - 2n+3}, \quad (2.11)$$

where $s \in \mathbb{Z}$, see [CP95b]. We denote A_{i, aq^s}^{-1} by $A_{i, s}^{-1}$. We use $\mathcal{M}_{k_1, k_2, \dots, k_n}^{(s)}$ (resp. $\widetilde{\mathcal{M}}_{k_1, k_2, \dots, k_n}^{(s)}$) to denote the irreducible finite-dimensional $U_q\widehat{\mathfrak{g}}$ -module with highest l -weight $M_{k_1, k_2, \dots, k_n}^{(s)}$ (resp. $\widetilde{M}_{k_1, k_2, \dots, k_n}^{(s)}$), where $k_1, \dots, k_n \in \mathbb{Z}_{\geq 0}$.

Theorem 2.4 (Theorem 3.8, [Her07]). *In the case of type A_n (resp. type B_n), the modules $\mathcal{M}_{k_1, \dots, k_n}^{(s)}$ and $\widetilde{\mathcal{M}}_{k_1, \dots, k_n}^{(s)}$, $s \in \mathbb{Z}$, $k_1, \dots, k_n \in \mathbb{Z}_{\geq 0}$ are special and anti-special.*

2.5. q -characters of $U_q\widehat{\mathfrak{sl}}_2$ -modules and the Frenkel-Mukhin algorithm. The q -characters of $U_q\widehat{\mathfrak{sl}}_2$ -modules are well-understood, see [CP91], [FR98]. We recall some results which will be used in this paper.

Let $W_k^{(a)}$ be the irreducible representation $U_q\widehat{\mathfrak{sl}}_2$ with highest weight monomial

$$X_k^{(a)} = \prod_{i=0}^{k-1} Y_{aq^{k-2i-1}}, \quad (2.12)$$

where $Y_a = Y_{1, a}$. Then the q -character of $W_k^{(a)}$ is given by

$$\chi_q(W_k^{(a)}) = X_k^{(a)} \sum_{i=0}^k \prod_{j=0}^{i-1} A_{aq^{k-2j}}^{-1}, \quad (2.13)$$

where $A_a = Y_{aq^{-1}} Y_{aq}$.

For $a \in \mathbb{C}^\times$, $k \in \mathbb{Z}_{\geq 1}$, the set $\Sigma_k^{(a)} = \{aq^{k-2i-1}\}_{i=0,\dots,k-1}$ is called a *string*. Two strings $\Sigma_k^{(a)}$ and $\Sigma_{k'}^{(a')}$ are said to be in *general position* if the union $\Sigma_k^{(a)} \cup \Sigma_{k'}^{(a')}$ is not a string or $\Sigma_k^{(a)} \subset \Sigma_{k'}^{(a')}$ or $\Sigma_{k'}^{(a')} \subset \Sigma_k^{(a)}$.

Denote by $L(m_+)$ the irreducible $U_q \widehat{\mathfrak{sl}}_2$ -module with highest weight monomial m_+ . Let $m_+ \neq 1$ and $m_+ \in \mathbb{Z}[Y_a]_{a \in \mathbb{C}^\times}$ be a dominant monomial. Then m_+ can be uniquely (up to permutation) written in the form

$$m_+ = \prod_{i=1}^s \left(\prod_{b \in \Sigma_{k_i}^{(a_i)}} Y_b \right),$$

where s is an integer, $\Sigma_{k_i}^{(a_i)}$, $i = 1, \dots, s$, are strings which are pairwise in general position and

$$L(m_+) = \bigotimes_{i=1}^s W_{k_i}^{(a_i)}, \quad \chi_q(L(m_+)) = \prod_{i=1}^s \chi_q(W_{k_i}^{(a_i)}). \quad (2.14)$$

For $j \in I$, let

$$\beta_j : \mathbb{Z}[Y_{i,a}^{\pm 1}]_{i \in I, a \in \mathbb{C}^\times} \rightarrow \mathbb{Z}[Y_a^{\pm 1}]_{a \in \mathbb{C}^\times}$$

be the ring homomorphism such that for all $a \in \mathbb{C}^\times$, $Y_{k,a} \mapsto 1$ for $k \neq j$ and $Y_{j,a} \mapsto Y_a$.

Let V be a $U_q \widehat{\mathfrak{g}}$ -module. Then $\beta_i(\chi_q(V))$, $i \in \{1, 2, \dots, n\}$, is the q -character of V considered as a $U_{q_i} \widehat{\mathfrak{sl}}_2$ -module.

In some situation, we can use the q -characters of $U_q \widehat{\mathfrak{sl}}_2$ -modules to compute the q -characters of $U_q \widehat{\mathfrak{g}}$ -modules for arbitrary \mathfrak{g} , see Section 5 in [FM01]. The corresponding algorithm is called the Frenkel-Mukhin algorithm. The Frenkel-Mukhin algorithm recursively computes the minimal possible q -character which contains m_+ and is consistent when restricted to $U_{q_i} \widehat{\mathfrak{sl}}_2$, $i \in \{1, 2, \dots, n\}$.

In some cases, the Frenkel-Mukhin algorithm doesn't return all terms in the q -character of a module. There are some counter-examples given in [NN11]. However, Frenkel-Mukhin algorithm produces the correct q -characters of modules in many cases. In particular, if a module $L(m_+)$ is special, then the Frenkel-Mukhin algorithm applied to m_+ , see [FM01], produces the correct q -character $\chi_q(L(m_+))$.

We will need the following proposition from [HL10].

Proposition 2.5 (Proposition 5.9 in [HL10], Proposition 3.1 in [Her05]). *Let V be a $U_q \widehat{\mathfrak{g}}$ -module and fix $i \in I$. Then there is a unique decomposition of $\chi_q(V)$ as a finite sum*

$$\chi_q(V) = \sum_{m \in \mathcal{P}_{i,+}} \lambda_m \varphi_i(m), \quad (2.15)$$

and the λ_m are non-negative integers.

Here $\varphi_i(m)$ ($m \in \mathcal{P}_{i,+}$) is a polynomial defined as follows, see Section 5.2.1 of [HL10]. Let $m \in \mathcal{P}_{i,+}$ be an i -dominant monomial. Let \overline{m} be the monomial obtained from m by replacing $Y_{j,a}$ by Y_a if $j = i$ and by 1 if $j \neq i$. Then the q -character $\chi_q(L(\overline{m}))$ of the $U_q \widehat{\mathfrak{sl}}_2$ -module $L(\overline{m})$ is given by (2.13), (2.14). Write $\chi_q(L(\overline{m})) = \overline{m}(1 + \sum_p \overline{M}_p)$, where the \overline{M}_p are monomials in

the variables A_a^{-1} ($a \in \mathbb{C}^\times$). Then one sets $\varphi_i(m) := m(1 + \sum_p M_p)$ where each M_p is obtained from the corresponding \overline{M}_p by replacing each variable A_a^{-1} by $A_{i,a}^{-1}$.

The following corollary follows from Proposition 2.5, see [HL10].

Corollary 2.6 ([HL10]). *Let $m \in \mathcal{P}_+$ and let mM be a monomial of $\chi_q(L(m))$, where M is a monomial in the $A_{j,a}^{-1}$ ($j \in I$). If M contains no variable $A_{i,a}$, then $mM \in \mathcal{P}_{i,+}$ and $\varphi_i(mM)$ is contained in $\chi_q(L(m))$. In particular, $\varphi_i(m)$ is contained in $\chi_q(L(m))$.*

2.6. Path description of q -characters of types A_n, B_n . We will need the path description of q -characters of minimal affinizations of types A_n, B_n which are introduced in Section 5 of [MY12a], see also Section 3 and Section 6 of [MY12b] to classify dominant monomials in tensor products.

The explicit tableaux formulas of q -characters of minimal affinizations of types A_n, B_n are given in [Her07].

The length of $\mathcal{M}_{k_1, k_2, \dots, k_n}^{(s)}$ is defined as $k_1 + k_2 + \dots + k_n$.

Theorem 2.7 (Theorem 6.1, [MY12a]). *Suppose that the length of the minimal affinization $\mathcal{M}_{k_1, k_2, \dots, k_n}^{(s)}$ is L . Then in the cases of types A_n and B_n , we have*

$$\chi_q(\mathcal{M}_{k_1, k_2, \dots, k_n}^{(s)}) = \sum_{(p_1, \dots, p_L) \in \overline{\varphi}_{(i_t, k_t)_{1 \leq t \leq L}}} \prod_{t=1}^L m(p_t). \quad (2.16)$$

Now we explain the notations in Theorem 2.7, see [MY12a]. A path is a finite sequence of points in the plane \mathbb{R}^2 . In the case of type A_n , let

$$\mathcal{D} = \{(i, k) \in I \times \mathbb{Z} : i - k \equiv 1 \pmod{2}\}.$$

For all $(i, k) \in \mathcal{D}$, let

$$\begin{aligned} \varphi_{i,k} &= \{(0, y_0), (1, y_1), \dots, (n+1, y_{n+1})\} : \\ & y_0 = i + k, \quad y_{n+1} = n + 1 - i + k, \quad \text{and } y_{i+1} - y_i \in \{1, -1\}, \quad 0 \leq i \leq n. \end{aligned}$$

The sets C_p^\pm of upper and lower corners of a path $p = ((r, y_r))_{0 \leq r \leq n+1} \in \varphi_{i,k}$ are defined as follows:

$$\begin{aligned} C_p^+ &= \{(r, y_r) \in p : r \in I, \quad y_{r-1} = y_r + 1 = y_{r+1}\}, \\ C_p^- &= \{(r, y_r) \in p : r \in I, \quad y_{r-1} = y_r - 1 = y_{r+1}\}. \end{aligned}$$

In the case of type B_n , let

$$\mathcal{D} = \{(n, 2k+1) : k \in \mathbb{Z}\} \sqcup \{(i, k) \in I \times \mathbb{Z} : i < n \text{ and } k \equiv 0 \pmod{2}\}.$$

It is written that $(j, l) \in p$ if (j, l) is a point of the path p .

Fix an ε , $0 < \varepsilon < 1/2$, $\varphi_{n,l}$ for all $l \in 2\mathbb{Z} + 1$ are defined as follows. For all $l \equiv 3 \pmod{4}$,

$$\begin{aligned} \varphi_{n,l} &= \{(0, y_0), (2, y_1), \dots, (2n-4, y_{n-2}), (2n-2, y_{n-1}), (2n-1, y_n)\} : \\ & y_0 = l + 2n - 1, \quad y_{i+1} - y_i \in \{2, -2\}, \quad 0 \leq i \leq n-2, \quad \text{and } y_n - y_{n-1} \in \{1 + \varepsilon, -1 - \varepsilon\}. \end{aligned}$$

For all $l \equiv 1 \pmod{4}$,

$$\begin{aligned} \varphi_{n,l} &= \{(4n-2, y_0), (4n-4, y_1), \dots, (2n+2, y_{n-2}), (2n, y_{n-1}), (2n-1, y_n)\} : \\ & y_0 = l + 2n - 1, \quad y_{i+1} - y_i \in \{2, -2\}, \quad 0 \leq i \leq n-2, \quad \text{and } y_n - y_{n-1} \in \{1 + \varepsilon, -1 - \varepsilon\}. \end{aligned}$$

For all $(i, k) \in \mathcal{D}$, $i < n$, $\varphi_{i,k}$ are defined as follows:

$$\varphi_{i,k} = \{(a_0, a_1, \dots, a_n, \bar{a}_n, \dots, \bar{a}_1, \bar{a}_0) : (a_0, a_1, \dots, a_n) \in \varphi_{n,k-(2n-2i-1)}, \\ (\bar{a}_0, \bar{a}_1, \dots, \bar{a}_n) \in \varphi_{n,k+(2n-2i-1)}, \text{ and } a_n - \bar{a}_n = (0, y) \text{ where } y > 0\}.$$

For all $(i, k) \in \mathcal{D}$, the sets of upper and lower corners C_p^\pm of a path

$$p = ((j_r, l_r))_{0 \leq r \leq |p|-1} \in \varphi_{i,k},$$

where $|p|$ is the number of points in the path p , are defined as follows:

$$C_p^+ = \tau^{-1}\{(j_r, l_r) \in p : j_r \notin \{0, 2n-1, 4n-2\}, l_{r-1} > l_r, l_{r+1} > l_r\} \\ \bigsqcup \{(n, l) \in \mathcal{D} : (2n-1, l-\epsilon) \in p \text{ and } (2n-1, l+\epsilon) \notin p\},$$

$$C_p^- = \tau^{-1}\{(j_r, l_r) \in p : j_r \notin \{0, 2n-1, 4n-2\}, l_{r-1} < l_r, l_{r+1} < l_r\} \\ \bigsqcup \{(n, l) \in \mathcal{D} : (2n-1, l-\epsilon) \notin p \text{ and } (2n-1, l+\epsilon) \in p\},$$

where τ is defined as follows:

$$\tau(i, k) = \begin{cases} (2i, k), & \text{if } i < n \text{ and } 2n+k-2i \equiv 2 \pmod{4}, \\ (4n-2-2i, k), & \text{if } i < n \text{ and } 2n+k-2i \equiv 0 \pmod{4}, \\ (2n-1, k), & \text{if } i = n. \end{cases}$$

A map m sending paths to monomials is defined by

$$m : \bigsqcup_{(i,k) \in \mathcal{D}} \varphi_{i,k} \rightarrow \mathbb{Z}[Y_{j,l}^\pm]_{(j,l) \in \mathcal{D}}; \quad p \mapsto m(p) = \prod_{(j,l) \in C_p^+} Y_{j,l} \prod_{(j,l) \in C_p^-} Y_{j,l}^{-1}. \quad (2.17)$$

We identify a path p with the monomial $m(p)$.

Let p, p' be paths. It is said that p is *strictly above* p' or p' is *strictly below* p if

$$(x, y) \in p \text{ and } (x, z) \in p' \implies y < z.$$

It is said that a T -tuple of paths (p_1, \dots, p_T) is *non-overlapping* if p_s is strictly above p_t for all $s < t$.

For any $(i_t, k_t) \in \mathcal{D}$, $1 \leq t \leq T$, $T \in \mathbb{Z}_{\geq 1}$, $\bar{\varphi}_{(i_t, k_t)_{1 \leq t \leq T}}$ is defined by

$$\bar{\varphi}_{(i_t, k_t)_{1 \leq t \leq T}} = \{(p_1, \dots, p_T) : p_t \in \varphi_{i_t, k_t}, 1 \leq t \leq T, (p_1, \dots, p_T) \text{ is non-overlapping}\}.$$

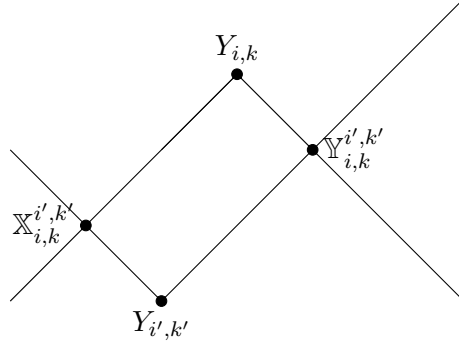
By Theorem 2.7, the q -character of a minimal affinization $\mathcal{M}_{k_1, k_2, \dots, k_n}^{(s)}$ of type A_n or B_n with length M is given by a set of M -tuples of non-overlapping paths. The paths in each M -tuple in this set are non-overlapping, this property is called *non-overlapping property*.

We also need the following notations in this paper. For all $(i, k) \in \mathcal{D}$, let $p_{i,k}^+$ be the highest path which is the unique path in $\varphi_{i,k}$ with no lower corners and $p_{i,k}^-$ the lowest path which is the unique path in $\varphi_{i,k}$ with no upper corners.

3. M-SYSTEMS OF TYPES A_n, B_n

In this section, we describe M-systems of types A_n, B_n .

3.1. Neighbouring points. We recall the concept of *neighbouring points* which is introduced in Section 3 of [MY12b].



In type A_n , let

$$X_{i,k}^{i',k'} = \begin{cases} ((\frac{1}{2}(i+k+i'-k'), \frac{1}{2}(i+k-i'+k'))), & k+i > k'-i', \\ \emptyset, & k+i = k'-i', \end{cases}$$

$$Y_{i,k}^{i',k'} = \begin{cases} ((\frac{1}{2}(i'+k'+i-k), \frac{1}{2}(i'+k'-i+k))), & k+n+1-i > k'-n-1+i', \\ \emptyset, & k+n+1-i = k'-n-1+i'. \end{cases}$$

In type B_n , let

$$(X_{i,k}^{i',k'}, Y_{i,k}^{i',k'}) = \begin{cases} (B_{i,k}^{i',k'}, F_{i,k}^{i',k'}), & i < n, 2n+k-2i \equiv 1 \pmod{4}, \text{ or } i = n, k \equiv 0 \pmod{4}, \\ (F_{i,k}^{i',k'}, B_{i,k}^{i',k'}), & i < n, 2n+k-2i \equiv 3 \pmod{4}, \text{ or } i = n, k \equiv 2 \pmod{4}, \end{cases}$$

where

$$B_{i,k}^{i',k'} = \begin{cases} \emptyset, & i < n, i' < n, k' - k = 2i + 2i', \\ ((\frac{1}{4}(2i+k+2i'-k'), \frac{1}{2}(2i+k-2i'+k'))), & i < n, i' < n, k' - k < 2i + 2i', \\ \emptyset, & i < n, i' = n, k' - k = 2i + 2n - 1, \\ ((\frac{1}{4}(2i+k+2n-1-k'), \frac{1}{2}(2i+k-2n+1+k'))), & i < n, i' = n, k' - k < 2i + 2n - 1, \\ ((n, k' - 2n + 1 + 2i')), & i = n, i' < n, \\ \emptyset, & i = n, i' = n, \end{cases}$$

$$F_{i,k}^{i',k'} = \begin{cases} ((\frac{1}{4}(2i'+k'+2i-k), \frac{1}{2}(2i'+k'-2i+k))), & i < n, i' < n, k' - k \leq 4n - 4 - 2i - 2i', \\ ((n, k + 2n - 1 - 2i), (n, k' - 2n + 1 + 2i')), & i < n, i' < n, k' - k \geq 4n - 2i - 2i', \\ ((n, k + 2n - 1 - 2i)), & i < n, i' = n, \\ ((\frac{1}{4}(2n-1+k+2i'-k'), \frac{1}{2}(2n-1+k-2i'+k'))), & i = n, i' < n, k' - k < 2n - 1 - 2i', \\ \emptyset, & i = n, i' < n, k' - k = 2n - 1 - 2i', \\ ((\frac{1}{4}(4n-2+k-k'), \frac{1}{2}(k+k'))), & i = n, i' = n. \end{cases}$$

3.2. M-systems of types A_n and B_n . When we write $\mathcal{M}_{0, \dots, 0, k_i, 0, \dots, 0, k_j+1, k_{j+1}, \dots, k_n}^{(s-2)}$, we mean k_i is in the i -th position, $k_j + 1$ is in the j -th position. Our first main result in this paper is the following systems which we call M-systems of types A_n and B_n respectively.

In the case of type A_n , every minimal affinization which is not a Kirillov-Reshetikhin module can be written as

$$\mathcal{M}_{0, \dots, 0, k_i, 0, \dots, 0, k_j+1, k_{j+1}, \dots, k_n}^{(s-2)}, \quad (3.1)$$

where $1 \leq i \leq n-1$, $i < j \leq n$, $k_i \geq 1$, $s \in \mathbb{Z}$, $k_j, \dots, k_n \in \mathbb{Z}_{\geq 0}$.

In type B_n , every minimal affinization which is not a Kirillov-Reshetikhin module is one of the following modules

$$\mathcal{M}_{0, \dots, 0, k_i, 0, \dots, 0, k_j+1, k_{j+1}, \dots, k_n}^{(s-4)}, \quad 1 \leq i \leq n-2, \quad i < j \leq n-1, \quad (3.2)$$

$$\mathcal{M}_{0, \dots, 0, k_i, 0, \dots, 0, k_n+2}^{(s-4)}, \quad 1 \leq i \leq n-1, \quad (3.3)$$

$$\mathcal{M}_{0, \dots, 0, k_i, 0, \dots, 0, 1}^{(s-4)}, \quad 1 \leq i \leq n-1, \quad (3.4)$$

where $k_i \geq 1$, $s \in \mathbb{Z}$, $k_j, \dots, k_n \in \mathbb{Z}_{\geq 0}$.

In type A_n , let \mathcal{M}_2 be the minimal affinization (3.1). In type B_n , let \mathcal{M}_2 be one of the minimal affinizations (3.2), (3.3), (3.4).

In type A_n , let

$$\mathcal{M}_1 = \mathcal{M}_{0, \dots, 0, k_i, 0, \dots, 0, k_j, k_{j+1}, \dots, k_n}^{(s)}. \quad (3.5)$$

In type B_n , let

$$\mathcal{M}_1 = \begin{cases} \mathcal{M}_{0, \dots, 0, k_i, 0, \dots, 0, k_j, k_{j+1}, \dots, k_n}^{(s)}, & \text{if } \mathcal{M}_2 \text{ is (3.2),} \\ \mathcal{M}_{0, \dots, 0, k_i, 0, \dots, 0, k_n}^{(s)}, & \text{if } \mathcal{M}_2 \text{ is (3.3),} \\ \mathcal{M}_{0, \dots, 0, k_i, 0, \dots, 0, 0}^{(s)}, & \text{if } \mathcal{M}_2 \text{ is (3.4).} \end{cases} \quad (3.6)$$

In type A_n , let

$$\mathcal{M}_3 = \mathcal{M}_{0, \dots, 0, k_i+1, 0, \dots, 0, k_j, k_{j+1}, \dots, k_n}^{(s-2)}, \quad \mathcal{M}_4 = \mathcal{M}_{0, \dots, 0, k_i-1, 0, \dots, 0, k_j+1, k_{j+1}, \dots, k_n}^{(s)}. \quad (3.7)$$

In type B_n , let

$$\mathcal{M}_3 = \begin{cases} \mathcal{M}_{0, \dots, 0, k_i+1, 0, \dots, 0, k_j, k_{j+1}, \dots, k_n}^{(s-4)}, & \text{if } \mathcal{M}_2 \text{ is (3.2),} \\ \mathcal{M}_{0, \dots, 0, k_i+1, 0, \dots, 0, k_n}^{(s-4)}, & \text{if } \mathcal{M}_2 \text{ is (3.3),} \\ \mathcal{M}_{0, \dots, 0, k_i+1, 0, \dots, 0, 0}^{(s-4)}, & \text{if } \mathcal{M}_2 \text{ is (3.4),} \end{cases} \quad (3.8)$$

$$\mathcal{M}_4 = \begin{cases} \mathcal{M}_{0, \dots, 0, k_i-1, 0, \dots, 0, k_j+1, k_{j+1}, \dots, k_n}^{(s)}, & \text{if } \mathcal{M}_2 \text{ is (3.2),} \\ \mathcal{M}_{0, \dots, 0, k_i-1, 0, \dots, 0, k_n+2}^{(s)}, & \text{if } \mathcal{M}_2 \text{ is (3.3),} \\ \mathcal{M}_{0, \dots, 0, k_i-1, 0, \dots, 0, 1}^{(s)}, & \text{if } \mathcal{M}_2 \text{ is (3.4).} \end{cases}$$

Let

$$\mathcal{X}_i = \{(i, s + d_i(i + 2l - 5)) : 1 \leq l \leq k_i\},$$

and

$$\mathbb{X}_i = \prod_{(i,k) \in \mathcal{X}_i} \overline{\mathbb{X}}_{i,k}^{i,k+2d_i}, \quad \mathbb{Y}_i = \prod_{(i,k) \in \mathcal{X}_i} \overline{\mathbb{Y}}_{i,k}^{i,k+2d_i},$$

where $\overline{\mathbb{X}}_{i,k}^{i,k+2d_i}$, $\overline{\mathbb{Y}}_{i,k}^{i,k+2d_i}$ are defined in Section 3.1.

Let

$$\begin{aligned} \mathcal{M}_5 &= L\left(\prod_{(i,k) \in \mathbb{X}_i} Y_{i,k} M_1(M_{0,\dots,0,k_i,0,\dots,0}^{(s)})^{-1}\right), \\ \mathcal{M}_6 &= L\left(\prod_{(i,k) \in \mathbb{Y}_i} Y_{i,k} M_2(M_{0,\dots,0,k_i,0,\dots,0}^{(s-2d_i)})^{-1}\right), \end{aligned} \tag{3.9}$$

where M_1, M_2 are the highest weight monomials of $\mathcal{M}_1, \mathcal{M}_2$ respectively.

We have the following theorem.

Theorem 3.1. *In type A_n (resp. B_n), we have the following system of equations*

$$[\mathcal{M}_1][\mathcal{M}_2] = [\mathcal{M}_3][\mathcal{M}_4] + [\mathcal{M}_5][\mathcal{M}_6] \tag{3.10}$$

in the Grothendieck \mathcal{R} of the category \mathcal{C} , where \mathcal{M}_1 is defined in (3.5) (resp. (3.6)), \mathcal{M}_2 is defined in (3.1) (resp. (3.2)–(3.4)), $\mathcal{M}_3, \mathcal{M}_4$ are defined in (3.7) (resp. (3.8)), $\mathcal{M}_5, \mathcal{M}_6$ are defined in (3.9).

We call the systems in Theorem 3.1 the M-systems of types A_n and B_n . Theorem 3.1 will be proved in Section 7.

Remark 3.2. *By M-systems of types A_n, B_n , the q -characters of minimal affinizations of types A_n, B_n can be computed recursively using the q -characters of Kirillov-Reshetikhin modules.*

Remark 3.3. *The equations in the M-systems are different from the equations in the extended T -systems in [MY12b] and the T -systems in [KNS94], [Her06]. The union of the M-systems of types A_n, B_n , the dual M-systems of types A_n, B_n (defined in Theorem 5.2), and the T -systems of types A_n, B_n is a closed system which contains all minimal affinizations of types A_n, B_n (including Kirillov-Reshetikhin modules of types A_n, B_n).*

Example 3.4. *The following are some equations in the M-system of type A_3 .*

$$\begin{aligned} [1_{-1}][1_{-3}2_0] &= [1_{-3}1_{-1}][2_0] + [2_{-2}2_0], \\ [1_{-3}1_{-1}][1_{-5}1_{-3}2_0] &= [1_{-3}2_0][1_{-5}1_{-3}1_{-1}] + [2_{-4}2_{-2}2_0], \\ [2_{-2}][2_{-4}3_{-1}] &= [2_{-4}2_{-2}][3_{-1}] + [1_{-3}][3_{-3}3_{-1}], \\ [2_{-4}2_{-2}][2_{-6}2_{-4}3_{-1}] &= [2_{-4}3_{-1}][2_{-6}2_{-4}2_{-2}] + [1_{-5}1_{-3}][3_{-5}3_{-3}3_{-1}], \\ [1_{-3}][1_{-5}3_{-1}] &= [1_{-5}1_{-3}][3_{-1}] + [2_{-4}3_{-1}], \\ [1_{-5}1_{-3}][1_{-7}1_{-5}3_{-1}] &= [1_{-5}3_{-1}][1_{-7}1_{-5}1_{-3}] + [2_{-6}2_{-4}3_{-1}], \\ [1_{-5}3_{-1}][1_{-7}2_{-4}3_{-1}] &= [1_{-7}1_{-5}3_{-1}][2_{-4}3_{-1}] + [2_{-6}2_{-4}3_{-1}][3_{-1}], \\ [1_{-7}1_{-5}3_{-1}][1_{-9}1_{-7}2_{-4}3_{-1}] &= [1_{-7}2_{-4}3_{-1}][1_{-9}1_{-7}1_{-5}3_{-1}] + [2_{-8}2_{-6}2_{-4}3_{-1}][3_{-1}]. \end{aligned}$$

The following are some equations in the M-system of type B_2 .

$$\begin{aligned} [1_{-3}][1_{-7}2_{-2}2_0] &= [1_{-7}1_{-3}][2_{-2}2_0] + [2_{-6}2_{-4}2_{-2}2_0], \\ [1_{-7}1_{-3}][1_{-11}1_{-7}2_{-2}2_0] &= [1_{-7}2_{-2}2_0][1_{-11}1_{-7}1_{-3}] + [2_{-10}2_{-8}2_{-6}2_{-4}2_{-2}2_0], \\ [1_{-1}][1_{-5}2_0] &= [2_0][1_{-5}1_{-1}] + [2_{-4}2_{-2}2_0], \\ [1_{-5}1_{-1}][1_{-9}1_{-5}2_0] &= [1_{-5}2_0][1_{-9}1_{-5}1_{-1}] + [2_{-8}2_{-6}2_{-4}2_{-2}2_0]. \end{aligned}$$

Moreover, we have the following theorem.

Theorem 3.5. *The modules in the summands on the right hand side of each equation in Theorem 3.1 are simple.*

Theorem 3.5 will be prove in Section 8.

3.3. The m-systems of types A_n, B_n . Let

$$\mathbf{m}_i = \text{Res}(\mathcal{M}_i)$$

be the restriction of \mathcal{M}_i to $U_q\mathfrak{g}$, where $1 \leq i \leq 6$. Let $\chi(M)$ be the character of a $U_q\mathfrak{g}$ -module M . We obtain a system of equations which we called the m-system of type A_n (resp. B_n) from Theorem 3.1:

$$\chi(\mathbf{m}_1)\chi(\mathbf{m}_2) = \chi(\mathbf{m}_3)\chi(\mathbf{m}_4) + \chi(\mathbf{m}_5)\chi(\mathbf{m}_6). \quad (3.11)$$

4. RELATION BETWEEN M-SYSTEMS AND CLUSTER ALGEBRAS

In this section, we will show that the equations in the M-system of type A_n (resp. B_n) correspond to mutations in some cluster algebra \mathcal{A} (resp. \mathcal{A}') introduced in [HL13]. Moreover, every minimal affinization in the M-system of type A_n (resp. B_n) corresponds to a cluster variable in the cluster algebra \mathcal{A} (resp. \mathcal{A}').

4.1. Definition of cluster algebras \mathcal{A} and \mathcal{A}' . We recall the definition of the cluster algebras introduced in [HL13] in the following. Let $\tilde{V} = I \times \mathbb{Z}$ and let $\tilde{\Gamma}$ be a quiver with the vertex set \tilde{V} whose arrows are given by $(i, r) \rightarrow (j, s)$ if and only if $b_{ij} \neq 0$ and $s = r + b_{ij}$, where $B = (b_{ij})_{i,j \in I} = DC$ is defined in Section 2.2.

It is shown in [HL13] that $\tilde{\Gamma}$ has two isomorphic components. Let Γ be one of the components and let V be the set of vertices of Γ . Let ψ be a function given by $\psi(i, r) = (i, d_i)$, $(i, r) \in V$. Let $W \subset I \times \mathbb{Z}$ be the image of V under the map ψ and let G be the same quiver as Γ but with vertices labelled by W . Let $W^- = W \cap (I \times \mathbb{Z}_{\leq 0})$ and let Q be the full subquiver of G with vertex set W^- .

Let $\mathbf{z}^- = \{z_{i,r} : (i, r) \in W^-\}$ and let \mathcal{A} be the cluster algebra defined by the initial seed (\mathbf{z}^-, Q) . For convenience, we denote the quiver Q and the cluster algebra \mathcal{A} in the case of type B_n by Q' and \mathcal{A}' respectively.

In order to have the correspondence between M-systems and cluster algebras, we use the following notations for the cluster variables in the initial seed. In the case of type A_n , let

$$\mathbf{m} = \{m_{0,\dots,0,k_i,0,\dots,0}^{(-2k_i-i+3)} \mid i \text{ is even, } k_i \in \mathbb{Z}_{\geq 0}\} \cup \{m_{0,\dots,0,k_i,0,\dots,0}^{(-2k_i-i+2)} \mid i \text{ is odd, } k_i \in \mathbb{Z}_{\geq 0}\}. \quad (4.1)$$

In the case of type B_n , let $\mathbf{m}' = \mathbf{m}_1 \cup \mathbf{m}_2$, where

$$\mathbf{m}_1 = \{m_{0,\dots,0,k_n}^{(-2n-2k_n+5)} \mid k_n \in \mathbb{Z}_{\geq 0}\}, \quad (4.2)$$

$$\mathbf{m}_2 = \{m_{0,\dots,0,k_i,0,\dots,0}^{(-4k_i-2i+3)}, m_{0,\dots,0,k_i,0,\dots,0}^{(-4k_i-2i+5)} \mid i \in \{1, \dots, n-1\}, k_i \in \mathbb{Z}_{\geq 0}\}. \quad (4.3)$$

The cluster algebra in the case of type A_n (resp. B_n) is the cluster algebra defined by the initial seed (\mathbf{m}, Q) (resp. (\mathbf{m}', Q')). Here we identify \mathbf{m} (resp. \mathbf{m}') with \mathbf{z}^- as follows. Let $(i, r) \in W^-$ and $\delta_{i,n}$ the Kronecker delta. In the case of type A_n , we identify $m_{0,\dots,0,k_i,0,\dots,0}^{(r-i+1)}$ with $z_{i,r}$. In the case of type B_n , we identify $m_{0,\dots,0,k_i,0,\dots,0}^{(r-2i+2+\delta_{i,n})}$ with $z_{i,r}$.

We have the following theorem.

Theorem 4.1. *Every minimal affinization in the M-system of type A_n (resp. B_n) corresponds to a cluster variable in \mathcal{A} (resp. \mathcal{A}') defined in Section 4.1.*

We will prove Theorem 4.1 in Section 4.4.

4.2. Mutation sequences: type A_n case. We use the idea of the mutation sequences in [HL13]. In [HL13], the mutation sequences produce Kirillov-Reshetikhin modules. In the following, the mutation sequences produce minimal affinizations.

When we say that we mutate “ C_i ” of a quiver we mean that we mutate the first vertex in the i -th column of the quiver, then we mutate the second vertex in this column, and so on until the vertex at infinity. When we say that we mutate $(C_{i_1}, C_{i_2}, \dots, C_{i_m})$, $i_1, \dots, i_m \in I$, we mean that we first mutate C_{i_1} , then we mutate C_{i_2} , and so on. If $k_t = 0$, then “we mutate $(C_{i_1}, C_{i_2}, \dots, C_{i_m})$ k_t times” means “we do not mutate $(C_{i_1}, C_{i_2}, \dots, C_{i_m})$ ”.

We use \emptyset to denote the empty mutation sequence and use

$$\prod_{k=1}^m (C_{2k}, C_{2k-1}, \dots, C_1)$$

to denote the mutation sequence

$$(C_2, C_1; C_4, C_3, C_2, C_1; \dots; C_{2m}, C_{2m-1}, \dots, C_1).$$

Let $k_1, k_2, \dots, k_n \in \mathbb{Z}_{\geq 0}$ and k_i (resp. k_r) the first non-zero integer in k_1, k_2, \dots, k_n from the left (resp. right). Let

$$M_r^{(1)} = \begin{cases} \emptyset, & r = 1, 2, \\ \prod_{k=1}^{\frac{r-1}{2}} (C_{2k}, C_{2k-1}, C_{2k-2}, \dots, C_1), & r \equiv 1 \pmod{2}, r > 1, \\ \prod_{k=1}^{\frac{r-2}{2}} (C_{2k}, C_{2k-1}, C_{2k-2}, \dots, C_1), & r \equiv 0 \pmod{2}, r > 2. \end{cases}$$

Let Seq be the mutation sequence: first we mutate $M_r^{(1)}$ starting from the initial quiver Q , then we mutate $(C_{r-1}, C_{r-2}, \dots, C_1)$ k_r times, and then we mutate $(C_{r-2}, C_{r-3}, \dots, C_1)$ k_{r-1} times; continue this procedure, we mutate $(C_{t-1}, C_{t-2}, \dots, C_1)$ k_t times, $t = r-2, r-3, \dots, i+1$.

After we mutate Q following the mutation sequence Seq, we obtain the minimal affinization (3.1) at the k_i -th vertex of i -th column.

4.3. Mutation sequences: type B_n case. In the following, we define mutation sequences which produce the minimal affinizations (3.2), (3.3), (3.4).

Let $k_1, k_2, \dots, k_n \in \mathbb{Z}_{\geq 0}$ and k_i (resp. k_r) the first non-zero integer in k_1, k_2, \dots, k_n from the left (resp. right). Let

$$N_n^{(1)} = \begin{cases} \emptyset, & n = 2, \\ \prod_{k=0}^{\frac{n-3}{2}} (C_{2n-2k-1}, C_{2n-2k}, \dots, C_{2n-1}), & n \equiv 1 \pmod{2}, n \geq 3, \\ \prod_{k=0}^{\frac{n-4}{2}} (C_{2n-2k-2}, C_{2n-2k-1}, \dots, C_{2n-1}), & n \equiv 0 \pmod{2}, n > 2, \end{cases}$$

$$N_n^{(2)} = \begin{cases} \emptyset, & n = 2, 3, \\ \prod_{k=0}^{\frac{n-5}{2}} (C_{2k+2}, C_{2k+1}, \dots, C_1), & n \equiv 1 \pmod{2}, n > 3, \\ \prod_{k=0}^{\frac{n-4}{2}} (C_{2k+1}, C_{2k}, \dots, C_1), & n \equiv 0 \pmod{2}, n > 2, \end{cases}$$

$$N_{n,r}^{(3)} = \begin{cases} \emptyset, & r = 1, \\ \emptyset, & n \equiv 0 \pmod{2}, r = 2, \\ \prod_{k=0}^{\frac{r-3}{2}} (C_{2n-2k-1}, C_{2n-2k}, \dots, C_{2n-1}), & n \equiv 1 \pmod{2}, r \equiv 1 \pmod{2}, r > 1, \\ \prod_{k=0}^{\frac{r-2}{2}} (C_{2n-2k-1}, C_{2n-2k}, \dots, C_{2n-1}), & n \equiv 1 \pmod{2}, r \equiv 0 \pmod{2}, r \geq 2, \\ \prod_{k=0}^{\frac{r-4}{2}} (C_{2n-2k-2}, C_{2n-2k-1}, \dots, C_{2n-1}), & n \equiv 0 \pmod{2}, r \equiv 0 \pmod{2}, r > 2, \\ \prod_{k=0}^{\frac{r-3}{2}} (C_{2n-2k-2}, C_{2n-2k-1}, \dots, C_{2n-1}), & n \equiv 0 \pmod{2}, r \equiv 1 \pmod{2}, r > 1. \end{cases}$$

For $k_n \neq 0$ is even and n is odd (resp. even), let Seq be the mutation sequence: first we mutate $N_n^{(1)}$ starting from the initial quiver Q' , then we mutate $(C_{n+1}, C_{n+2}, \dots, C_{2n-1})$ $\frac{k_n}{2}$ times, and then we mutation $(C_{n+2}, C_{n+3}, \dots, C_{2r-1})$ k_{n-1} times; continue this procedure, we mutate $(C_{2n-t+1}, C_{2n-t+2}, \dots, C_{2n-1})$ k_t times, $t = n-2, n-3, \dots, i+1$.

For $k_n \neq 0$ is odd, let Seq be the mutation sequence: first we mutate $N_n^{(2)}$ starting from the initial quiver Q' , then we mutate $(C_{n-1}, C_{n-2}, \dots, C_1)$ $\frac{k_n+1}{2}$ times, and then we mutate $(C_{n-2}, C_{n-3}, \dots, C_1)$ k_{n-1} times; continue this procedure, we mutate $(C_{t-1}, C_{t-2}, \dots, C_1)$ k_t times, $t = n-2, n-3, \dots, i+1$.

For $k_n = 0$, let k_r be the first non-zero integer from right in k_1, k_2, \dots, k_n and let Seq be the mutation sequence: first we mutate $N_{n,r}^{(3)}$ starting from the initial quiver Q' , then we mutate $(C_{2n-r+1}, C_{2n-r+2}, \dots, C_{2n-1})$ k_r times, and then we mutation $(C_{2n-r+2}, C_{2n-r+3}, \dots, C_{2n-1})$ k_{r-1} times; continue this procedure, we mutate $(C_{2n-r-t+1}, C_{2n-r-t+2}, \dots, C_{2n-1})$ k_t times, $t = r-2, r-3, \dots, i+1$.

After we mutate Q' following the mutation sequence Seq , we obtain one of the minimal affinizations (3.2), (3.3), (3.4) (the minimal affinization we obtain depends on k_1, k_2, \dots, k_n) at the k_i -th vertex of i -th column.

4.4. Proof of Theorem 4.1. It suffices to prove that the equations in the M-system of type A_n (resp. B_n) correspond to the mutations defined in Section 4.2 (resp. Section 4.3).

Let \mathfrak{M} be the set of minimal affinizations of type A_n (resp. B_n). Let

$$\mathfrak{J} = \{m_{k_1, k_2, \dots, k_n}^{(s)} : s \in \mathbb{Z}, k_1, k_2, \dots, k_n \in \mathbb{Z}_{\geq 0}\}.$$

We define a map

$$\begin{aligned} \psi : \mathfrak{M} &\longrightarrow \mathfrak{J} \\ \mathcal{M}_{k_1, k_2, \dots, k_n}^{(s)} &\mapsto m_{k_1, k_2, \dots, k_n}^{(s)}. \end{aligned} \quad (4.4)$$

We apply the map ψ defined by (4.4) to the equations $[\mathcal{M}_1][\mathcal{M}_2] = [\mathcal{M}_3][\mathcal{M}_4] + [\mathcal{M}_5][\mathcal{M}_6]$ in the M-system for type A_n (resp. B_n). Then we obtain a new system of equations:

$$m_1 m_2 = m_3 m_4 + m_5 m_6, \quad (4.5)$$

where $m_i = \psi(\mathcal{M}_i)$, $1 \leq i \leq 6$. For each equation in (4.5), we define $m'_1 = m_2$. Then we obtain a set of equations:

$$m'_1 = \frac{m_3 m_4 + m_5 m_6}{m_1}. \quad (4.6)$$

The above set of equations for type A_n (resp. B_n) is the set of the mutation equations corresponding to the mutations in Seq defined in Sections 4.2 (resp. 4.3).

5. THE DUAL M-SYSTEMS OF TYPES A_n AND B_n

In this section, we study the dual M-systems of types A_n and B_n .

5.1. The dual M-systems of types A_n, B_n .

Lemma 5.1 (Lemma 4.10, [Her07]). *In the case of type A_n , let $\iota : \mathbb{Z}\mathcal{P} \rightarrow \mathbb{Z}\mathcal{P}$ be a homomorphism of rings such that $Y_{i, aq^s} \mapsto Y_{n-i+1, aq^{n-s+1}}^{-1}$ for all $i \in I$, $a \in \mathbb{C}^\times$, $s \in \mathbb{Z}$. Then*

$$\chi_q(\widetilde{\mathcal{M}}_{k_1, \dots, k_n}^{(s)}) = \iota(\chi_q(\mathcal{M}_{k_1, \dots, k_n}^{(s)})).$$

In the case of type B_n , let $\iota : \mathbb{Z}\mathcal{P} \rightarrow \mathbb{Z}\mathcal{P}$ be a homomorphism of rings such that $Y_{i, aq^s} \mapsto Y_{i, aq^{4n-s-2}}^{-1}$ for all $i \in I$, $a \in \mathbb{C}^\times$, $s \in \mathbb{Z}$. Then

$$\chi_q(\widetilde{\mathcal{M}}_{k_1, \dots, k_n}^{(s)}) = \iota(\chi_q(\mathcal{M}_{k_1, \dots, k_n}^{(s)})).$$

Theorem 5.2. *We have a system of equations*

$$[\widetilde{\mathcal{M}}_1][\widetilde{\mathcal{M}}_2] = [\widetilde{\mathcal{M}}_3][\widetilde{\mathcal{M}}_4] + [\widetilde{\mathcal{M}}_5][\widetilde{\mathcal{M}}_6] \quad (5.1)$$

in the Grothendieck \mathcal{R} of the category \mathcal{C} , where $[\mathcal{M}_1][\mathcal{M}_2] = [\mathcal{M}_3][\mathcal{M}_4] + [\mathcal{M}_5][\mathcal{M}_6]$ are equations in the M-system of type A_n (resp. B_n). Moreover, the modules in the summands on the right hand side of each equation in the system are simple.

We call the systems in Theorem 5.2 dual M-systems of types A_n, B_n .

Proof. The dual M-system of type A_n (resp. B_n) is obtained by applying ι defined in Lemma 5.1 to both sides of every equation of the M-system of type A_n (resp. B_n). The simplicity of the modules in the summands on the right hand side of each equation in the system follows from Theorem 3.5. \square

Example 5.3. *The following are some equations in the dual M-system of type A_3 .*

$$\begin{aligned}
[1_1][2_01_3] &= [1_11_3][2_0] + [2_02_2], \\
[1_11_3][2_01_31_5] &= [2_01_3][1_11_31_5] + [2_02_22_4], \\
[2_2][3_12_4] &= [2_22_4][3_1] + [1_3][3_13_3], \\
[2_22_4][3_12_42_6] &= [3_12_4][2_22_42_6] + [1_31_5][3_13_33_5], \\
[1_3][3_11_5] &= [1_31_5][3_1] + [3_12_4], \\
[1_31_5][3_11_51_7] &= [3_11_5][1_31_51_7] + [3_12_42_6], \\
[3_11_5][3_12_41_7] &= [3_11_51_7][3_12_4] + [3_12_42_6][3_1], \\
[3_11_51_7][3_12_41_71_9] &= [3_12_41_7][3_11_51_71_9] + [3_12_42_62_8][3_1].
\end{aligned}$$

The following are some equations in the M-system of type B_2 .

$$\begin{aligned}
[1_3][2_02_21_7] &= [1_31_7][2_02_2] + [2_02_22_42_6], \\
[1_31_7][2_02_21_71_{11}] &= [2_02_21_7][1_31_71_{11}] + [2_02_22_42_62_82_{10}], \\
[1_1][2_01_5] &= [2_0][1_11_5] + [2_02_22_4], \\
[1_11_5][2_01_51_9] &= [2_01_5][1_11_51_9] + [2_02_22_42_62_8].
\end{aligned}$$

5.2. The dual m-systems of types A_n, B_n . Let

$$\tilde{\mathfrak{m}}_i = \text{Res}(\tilde{\mathcal{M}}_i)$$

be the restriction of $\tilde{\mathcal{M}}_i$ to $U_q\mathfrak{g}$, where $1 \leq i \leq 6$. We obtain a system of equations which we called the dual m-system of type A_n (resp. B_n) from Theorem 5.2:

$$\chi(\tilde{\mathfrak{m}}_1)\chi(\tilde{\mathfrak{m}}_2) = \chi(\tilde{\mathfrak{m}}_3)\chi(\tilde{\mathfrak{m}}_4) + \chi(\tilde{\mathfrak{m}}_5)\chi(\tilde{\mathfrak{m}}_6). \quad (5.2)$$

5.3. Relation between dual M-systems and cluster algebras. The following cluster algebra $\tilde{\mathcal{A}}$ (resp. $\tilde{\mathcal{A}}'$) is dual to the cluster algebra \mathcal{A} (resp. \mathcal{A}') defined in [HL13], see Section 4.1.

Let $W^+ = W \cap (I \times \mathbb{Z}_{\geq 0})$ and let \tilde{Q} be the full subquiver of G with vertex set W^+ , see Section 4.1. Let $\mathbf{z}^+ = \{z_{i,r} : (i,r) \in W^+\}$ and let $\tilde{\mathcal{A}}$ be the cluster algebra defined by the initial seed $(\mathbf{z}^+, \tilde{Q})$. For convenience, we denote this cluster algebra in the case of type B_n by $\tilde{\mathcal{A}}'$.

By similar arguments in Section 4, we have the following theorem.

Theorem 5.4. *Every equation in the dual M-system of type A_n (resp. B_n) corresponds to a mutation equation in the cluster algebra $\tilde{\mathcal{A}}$ (resp. $\tilde{\mathcal{A}}'$). Every minimal affinization in the dual M-system of type A_n (resp. B_n) corresponds to a cluster variable of the cluster algebra $\tilde{\mathcal{A}}$ (resp. $\tilde{\mathcal{A}}'$).*

6. CONNECTION WITH THE HERNANDEZ-LECLERC CONJECTURE

In this section, we show that our results imply that the Hernandez-Leclerc conjecture (Conjecture 1.1) is true for minimal affinizations of types A_n and B_n .

Let us recall the definition of \mathcal{C}_ℓ , see [HL10]. Let I be the set of vertices of the Dynkin diagram of \mathfrak{g} . The Drinfeld polynomials of a simple $U_q\widehat{\mathfrak{g}}$ -module S is an I -tuple of polynomials $\pi_S = (\pi_{i,S}(u); i \in I)$ in one indeterminate u with coefficients in \mathbb{C} and constant term 1. Let S be a simple $U_q\widehat{\mathfrak{g}}$ -module with Drinfeld polynomials $\pi_{i,S}(u) = \prod_{k=1}^{n_i} (1 - ua_k^{(i)})$, $i \in I$. Then the highest weight monomial of S is $m_S = \prod_{i \in I} \prod_{k=1}^{n_i} Y_{i,a_k^{(i)}}$.

Let $I = I_0 \sqcup I_1$ be a partition of I such that every edge connects a vertex of I_0 with a vertex of I_1 . For $i \in I$, let $\xi_i = 0$ if $i \in I_0$ and $\xi_i = 1$ if $i \in I_1$.

Let \mathcal{C}_ℓ ($\ell \in \mathbb{Z}_{\geq 0}$) be the full subcategory of \mathcal{C} whose objects V satisfy: for every composition factor S of V and every $i \in I$, the roots of the Drinfeld polynomial $\pi_{i,S}(u)$ belong to $\{q^{-2k-\xi_i} \mid 0 \leq k \leq \ell\}$.

Remark 6.1. *The category \mathcal{C}_ℓ used in [HL13] is slightly different. It can be defined as follows. Let \mathcal{C}_ℓ ($\ell \in \mathbb{Z}_{\leq 0}$) be the full subcategory of \mathcal{C} whose objects V satisfy: for every composition factor S of V and every $i \in I$, the roots of the Drinfeld polynomial $\pi_{i,S}(u)$ belong to $\{q^{2k+\xi_i} \mid \ell \leq k \leq 0\}$. In this paper, we also use this definition of \mathcal{C}_ℓ . The minimal affinizations corresponding to the cluster variables obtained from the mutations defined in Sections 4.2 and 4.3 are in \mathcal{C}_ℓ .*

Conjecture 1.1 has been proved in [HL13] for Kirillov-Reshetikhin modules in all types. We have the following theorem.

Theorem 6.2. *Minimal affinizations of type A_n (resp. B_n) are simple, real, prime and they correspond to cluster variables in \mathcal{A} , $\widetilde{\mathcal{A}}$ (resp. \mathcal{A}' , $\widetilde{\mathcal{A}'}$). Therefore Conjecture 1.1 is true for minimal affinizations in types A_n , B_n .*

By Theorem 4.1 and Theorem 5.4, every minimal affinization in the M-system of type A_n (resp. B_n) corresponds to a cluster variable in \mathcal{A} (resp. \mathcal{A}'), every minimal affinization in the dual M-system of type A_n (resp. B_n) corresponds to a cluster variable in $\widetilde{\mathcal{A}}$ (resp. $\widetilde{\mathcal{A}'}$). By the results in [CMY13], minimal affinizations of all Dynkin types are prime. By definition, minimal affinizations are simple. Therefore to prove Theorem 6.2, we only need to show that minimal affinizations of types A_n and B_n are real. We have the following theorem.

Theorem 6.3. *Minimal affinizations of types A_n and B_n are real.*

Proof. The theorem follows from the following facts:

- (1) $\chi_q(\mathcal{M}_{k_1, k_2, \dots, k_n}^{(s)})\chi_q(\mathcal{M}_{k_1, k_2, \dots, k_n}^{(s)})$, $s \in \mathbb{Z}$, $k_1, \dots, k_n \in \mathbb{Z}_{\geq 0}$, has only one dominant monomial $M_{k_1, k_2, \dots, k_n}^{(s)} M_{k_1, k_2, \dots, k_n}^{(s)}$;
- (2) $\chi_q(\widetilde{\mathcal{M}}_{k_1, k_2, \dots, k_n}^{(s)})\chi_q(\widetilde{\mathcal{M}}_{k_1, k_2, \dots, k_n}^{(s)})$, $s \in \mathbb{Z}$, $k_1, \dots, k_n \in \mathbb{Z}_{\geq 0}$, has only one dominant monomial $\widetilde{M}_{k_1, k_2, \dots, k_n}^{(s)} \widetilde{M}_{k_1, k_2, \dots, k_n}^{(s)}$.

We will prove (1) in the case of type A_n . The other cases are similar.

Let k_{i_1}, \dots, k_{i_r} be the non-zero integers in k_1, \dots, k_n . Then the length of $\mathcal{M}_{k_1, k_2, \dots, k_n}^{(s)}$ is $L = k_{i_1} + k_{i_2} + \dots + k_{i_r}$. Let $\mathbf{m} = \prod_{t=1}^L m(p_t)$ (resp. $\mathbf{m}' = \prod_{t=1}^L m(p'_t)$) be a monomial in the first (resp. the second) $\chi_q(\mathcal{M}_{k_1, k_2, \dots, k_n}^{(s)})$ in $\chi_q(\mathcal{M}_{k_1, k_2, \dots, k_n}^{(s)})\chi_q(\mathcal{M}_{k_1, k_2, \dots, k_n}^{(s)})$, where m is the

map defined by (2.17), $(p_1, \dots, p_L) \in \overline{\varphi}_{(c_t, d_t)_{1 \leq t \leq L}}$ (resp. $(p'_1, \dots, p'_L) \in \overline{\varphi}_{(c_t, d_t)_{1 \leq t \leq L}}$) is a tuple of non-overlapping paths, d_1, \dots, d_L are some integers determined by s, k_1, k_2, \dots, k_n , and

$$\begin{aligned} c_1 = c_2 = \dots = c_{k_{i_1}} = i_1, \quad c_{k_{i_1}+1} = c_{k_{i_1}+2} = \dots = c_{k_{i_1}+k_{i_2}} = i_2, \quad \dots, \\ \dots, \quad c_{k_{i_1}+k_{i_2}+\dots+k_{i_{r-1}}+1} = c_{k_{i_1}+k_{i_2}+\dots+k_{i_{r-1}}+2} = \dots = c_{k_{i_1}+k_{i_2}+\dots+k_{i_{r-1}}+k_{i_r}} = i_r. \end{aligned}$$

Suppose that \mathbf{mm}' is dominant. If $p_L \neq p_{c_L, d_L}^+$ in \mathbf{m} , then \mathbf{mm}' is right-negative and hence not dominant. Therefore $p_L = p_{c_L, d_L}^+$. By Theorem 2.7, we have $p_u = p_{c_u, d_u}^+$, $\sum_{\ell=1}^{r-1} k_{i_\ell} < u < L$. Similarly, for $\sum_{\ell=1}^{r-1} k_{i_\ell} < u \leq L$, we have $p'_u = p_{c_u, d_u}^+$.

Suppose that $p_{\sum_{\ell=1}^{r-1} k_{i_\ell}} \neq p_{c_{\sum_{\ell=1}^{r-1} k_{i_\ell}}, d_{\sum_{\ell=1}^{r-1} k_{i_\ell}}}^+$. Then $m(p_{\sum_{\ell=1}^{r-1} k_{i_\ell}})$ has some negative factor h_b^{-1} , where $(h, b) \in C_{p_{\sum_{\ell=1}^{r-1} k_{i_\ell}}}^-$. By Theorem 2.7, \mathbf{m} has the factor h_b^{-1} . Therefore h_b^{-1} is cancelled by \mathbf{m}' . It follows that $\mathbf{m}' \neq M_{k_1, k_2, \dots, k_n}^{(s)}$ since h_b is not in $M_{k_1, k_2, \dots, k_n}^{(s)}$. But then \mathbf{mm}' has one of the factors

$$1_{h+b-1}^{-1}, 2_{h+b-2}^{-1}, \dots, (h-2)_{b+2}^{-1}, (h-1)_{b+1}^{-1}, (h+1)_{b+1}^{-1}, (h+2)_{b+2}^{-1}, \dots, n_{b+n-h}^{-1}. \quad (6.1)$$

This contradicts the assumption that \mathbf{mm}' is dominant. Therefore $p_{\sum_{\ell=1}^{r-1} k_{i_\ell}} = p_{c_{\sum_{\ell=1}^{r-1} k_{i_\ell}}, d_{\sum_{\ell=1}^{r-1} k_{i_\ell}}}^+$. By Theorem 2.7, we have $p_t = p_{c_t, d_t}^+$, $\sum_{\ell=1}^{r-2} k_{i_\ell} < t \leq \sum_{\ell=1}^{r-1} k_{i_\ell}$. By the same arguments, we have $p_t = p_{c_t, d_t}^+$ for $1 \leq t \leq \sum_{\ell=1}^{r-2} k_{i_\ell}$. Therefore $\mathbf{m} = M_{k_1, k_2, \dots, k_n}^{(s)}$.

By the same arguments, we have $\mathbf{m}' = M_{k_1, k_2, \dots, k_n}^{(s)}$. Therefore the only dominant monomial in $\chi_q(\mathcal{M}_{k_1, k_2, \dots, k_n}^{(s)})\chi_q(\mathcal{M}_{k_1, k_2, \dots, k_n}^{(s)})$ is $M_{k_1, k_2, \dots, k_n}^{(s)}M_{k_1, k_2, \dots, k_n}^{(s)}$. \square

7. PROOF OF THEOREM 3.1

In this section, we will prove Theorem 3.1.

7.1. Classification of dominant monomials. First we classify all dominant monomials in each summand on the left and right hand sides of every equation in Theorem 3.1. We have the following lemma.

Lemma 7.1. *Let $[\mathcal{M}_1][\mathcal{M}_2] = [\mathcal{M}_3][\mathcal{M}_4] + [\mathcal{M}_5][\mathcal{M}_6]$ be any equation in the M -system of type A_n (resp. B_n) in Theorem 3.1. Let M_i be the highest l -weight monomial of \mathcal{M}_i , $i \in \{1, 2, \dots, 6\}$. The dominant monomials in each summand on the left and right hand sides of $[\mathcal{M}_1][\mathcal{M}_2] = [\mathcal{M}_3][\mathcal{M}_4] + [\mathcal{M}_5][\mathcal{M}_6]$ are given in Table 1 (resp. Table 2).*

We will prove Lemma 7.1 in Section 7.3.

In Table 1 and Table 2, $M \prod_{0 \leq j \leq r} A_{i,s}^{-1} = M$ for $r = -1$, $s \in \mathbb{Z}$.

\mathcal{M}_2	Dominant monomials of $\chi_q(\mathcal{M}_1)\chi_q(\mathcal{M}_2)$	Dominant monomials of $\chi_q(\mathcal{M}_3)\chi_q(\mathcal{M}_4)$	Dominant monomials of $\chi_q(\mathcal{M}_5)\chi_q(\mathcal{M}_6)$
$\mathcal{M}_{k_1, k_2+1, k_3, \dots, k_n}^{(s-2)}$	$M_1 M_2 \prod_{0 \leq j \leq r} A_{1, s+2k_1-2j-3}^{-1}$ $-1 \leq r \leq k_1-1$	$M_3 M_4 \prod_{0 \leq j \leq r} A_{1, s+2k_1-2j-3}^{-1}$ $-1 \leq r \leq k_1-2$	$M_5 M_6$
$\mathcal{M}_{0, \dots, 0, k_i, k_{i+1}+1, k_{i+2}, \dots, k_n}^{(s-2)}$	$M_1 M_2 \prod_{0 \leq j \leq r} A_{i, s+i+2k_i-2j-4}^{-1}$ $-1 \leq r \leq k_i-1$	$M_3 M_4 \prod_{0 \leq j \leq r} A_{i, s+i+2k_i-2j-4}^{-1}$ $-1 \leq r \leq k_i-2$	$M_5 M_6$
$\mathcal{M}_{k_1, 0, \dots, 0, k_j+1, k_{j+1}, \dots, k_n}^{(s-2)}$	$M_1 M_2 \prod_{0 \leq j \leq r} A_{1, s+2k_1-2j-3}^{-1}$ $-1 \leq r \leq k_1-1$	$M_3 M_4 \prod_{0 \leq j \leq r} A_{1, s+2k_1-2j-3}^{-1}$ $-1 \leq r \leq k_1-2$	$M_5 M_6$
$\mathcal{M}_{0, \dots, 0, k_i, 0, \dots, 0, k_j+1, k_{j+1}, \dots, k_n}^{(s-2)}$	$M_1 M_2 \prod_{0 \leq j \leq r} A_{i, s+i+2k_i-2j-4}^{-1}$ $-1 \leq r \leq k_i-1$	$M_3 M_4 \prod_{0 \leq j \leq r} A_{i, s+i+2k_i-2j-4}^{-1}$ $-1 \leq r \leq k_i-2$	$M_5 M_6$

TABLE 1. Classification of dominant monomials in the M -system of type A_n .

\mathcal{M}_2	Dominant monomials of $\chi_q(\mathcal{M}_1)\chi_q(\mathcal{M}_2)$	Dominant monomials of $\chi_q(\mathcal{M}_3)\chi_q(\mathcal{M}_4)$	Dominant monomials of $\chi_q(\mathcal{M}_5)\chi_q(\mathcal{M}_6)$
$\mathcal{M}_{k_1, k_2+1, k_3, \dots, k_n}^{(s-4)}$	$M_1 M_2 \prod_{0 \leq j \leq r} A_{i, s+2i+4k_1-4j-6}^{-1}$ $-1 \leq r \leq k_1-1$	$M_3 M_4 \prod_{0 \leq j \leq r} A_{i, s+2i+4k_1-4j-6}^{-1}$ $-1 \leq r \leq k_1-2$	$M_5 M_6$
$\mathcal{M}_{0, \dots, 0, k_i, k_i+1, k_i+2, \dots, k_n}^{(s-4)}$	$M_1 M_2 \prod_{0 \leq j \leq r} A_{i, s+2i+4k_1-4j-8}^{-1}$ $-1 \leq r \leq k_i-1$	$M_3 M_4 \prod_{0 \leq j \leq r} A_{i, s+2i+4k_1-4j-8}^{-1}$ $-1 \leq r \leq k_i-2$	$M_5 M_6$
$\mathcal{M}_{0, \dots, 0, k_{n-1}, k_n+2}^{(s-4)}$	$M_1 M_2 \prod_{0 \leq j \leq r} A_{n-1, s+2n+4k_{n-1}-4j-10}^{-1}$ $-1 \leq r \leq k_{n-1}-1$	$M_3 M_4 \prod_{0 \leq j \leq r} A_{n-1, s+2n+4k_{n-1}-4j-10}^{-1}$ $-1 \leq r \leq k_{n-1}-2$	$M_5 M_6$
$\mathcal{M}_{0, \dots, 0, k_{n-1}, 1}^{(s-4)}$	$M_1 M_2 \prod_{0 \leq j \leq r} A_{n-1, s+2n+4k_{n-1}-4j-10}^{-1}$ $-1 \leq r \leq k_{n-1}-1$	$M_3 M_4 \prod_{0 \leq j \leq r} A_{n-1, s+2n+4k_{n-1}-4j-10}^{-1}$ $-1 \leq r \leq k_{n-1}-2$	$M_5 M_6$
$\mathcal{M}_{k_1, 0, \dots, 0, k_j+1, k_{j+1}, \dots, k_n}^{(s-4)}$	$M_1 M_2 \prod_{0 \leq j \leq r} A_{i, s+4k_1-4j-6}^{-1}$ $-1 \leq r \leq k_1-1$	$M_3 M_4 \prod_{0 \leq j \leq r} A_{i, s+4k_1-4j-6}^{-1}$ $-1 \leq r \leq k_1-2$	$M_5 M_6$
$\mathcal{M}_{k_1, 0, \dots, 0, k_n+2}^{(s-4)}$	$M_1 M_2 \prod_{0 \leq j \leq r} A_{i, s+4k_1-4j-6}^{-1}$ $-1 \leq r \leq k_1-1$	$M_3 M_4 \prod_{0 \leq j \leq r} A_{i, s+4k_1-4j-6}^{-1}$ $-1 \leq r \leq k_1-2$	$M_5 M_6$
$\mathcal{M}_{k_1, 0, \dots, 0, 1}^{(s-4)}$	$M_1 M_2 \prod_{0 \leq j \leq r} A_{i, s+4k_1-4j-6}^{-1}$ $-1 \leq r \leq k_1-1$	$M_3 M_4 \prod_{0 \leq j \leq r} A_{i, s+4k_1-4j-6}^{-1}$ $-1 \leq r \leq k_1-2$	$M_5 M_6$
$\mathcal{M}_{0, \dots, 0, k_i, 0, \dots, 0, k_j+1, k_{j+1}, \dots, k_n}^{(s-4)}$	$M_1 M_2 \prod_{0 \leq j \leq r} A_{i, s+2i+4k_1-4j-8}^{-1}$ $-1 \leq r \leq k_i-1$	$M_3 M_4 \prod_{0 \leq j \leq r} A_{i, s+2i+4k_1-4j-8}^{-1}$ $-1 \leq r \leq k_i-2$	$M_5 M_6$
$\mathcal{M}_{0, \dots, 0, k_i, 0, \dots, 0, k_n+2}^{(s-4)}$	$M_1 M_2 \prod_{0 \leq j \leq r} A_{i, s+2i+4k_1-4j-8}^{-1}$ $-1 \leq r \leq k_i-1$	$M_3 M_4 \prod_{0 \leq j \leq r} A_{i, s+2i+4k_1-4j-8}^{-1}$ $-1 \leq r \leq k_i-2$	$M_5 M_6$
$\mathcal{M}_{0, \dots, 0, k_j, 0, \dots, 0, 1}^{(s-4)}$	$M_1 M_2 \prod_{0 \leq j \leq r} A_{i, s+2i+4k_1-4j-8}^{-1}$ $-1 \leq r \leq k_i-1$	$M_3 M_4 \prod_{0 \leq j \leq r} A_{i, s+2i+4k_1-4j-8}^{-1}$ $-1 \leq r \leq k_i-2$	$M_5 M_6$

TABLE 2. Classification of dominant monomials in the M-system of type B_n .

7.2. Proof of Theorem 3.1. By Table 1 and Table 2, the dominant monomials in the q -characters of the left hand side and of the right hand side of every equation in Theorem 3.1 are the same. Therefore Theorem 3.1 is true.

7.3. Proof of Lemma 7.1. We will prove the case of the 4-th line of the second column of Table 1 and the case of 3-rd line of the second column of Table 2. The other cases are similar.

Proof of the case of the 4-th line of the second column of Table 1. We have

$$M_1 = M_{0, \dots, 0, k_i, 0, \dots, 0, k_j, k_{j+1}, \dots, k_n}^{(s)}$$

$$M_2 = M_{0, \dots, 0, k_i, 0, \dots, 0, k_j+1, k_{j+1}, \dots, k_n}^{(s-2)}$$

Let $L = k_i + k_j + \dots + k_n$. Let $\mathbf{m} = \prod_{t=1}^L m(p_t)$ be a monomial in $\chi_q(M_1)$, where $(p_1, \dots, p_L) \in \overline{\varphi}(c_t, d_t)_{1 \leq t \leq L}$ is a tuple of non-overlapping paths, d_1, \dots, d_L are some integers determined by s, k_1, k_2, \dots, k_n , and

$$\begin{aligned} c_1 = c_2 = \dots = c_{k_i} = i, \quad c_{k_i+1} = c_{k_i+2} = \dots = c_{k_i+k_j} = j, \quad \dots, \\ \dots, \quad c_{k_i+k_j+\dots+k_{n-1}+1} = c_{k_i+k_j+\dots+k_{n-1}+2} = \dots = c_{k_i+k_j+\dots+k_n} = n. \end{aligned}$$

Let $\mathbf{m}' = \prod_{u=1}^{L+1} m(p'_u)$ be a monomial in $\chi_q(M_2)$, where $(p'_1, \dots, p'_{L+1}) \in \overline{\varphi}(c'_u, d'_u)_{1 \leq u \leq L+1}$ is a tuple of non-overlapping paths, d'_1, \dots, d'_{L+1} are some integers determined by s, k_1, k_2, \dots, k_n , and

$$\begin{aligned} c'_1 = c'_2 = \dots = c'_{k_i} = i, \quad c'_{k_i+1} = c'_{k_i+2} = \dots = c'_{k_i+k_j} = c'_{k_i+k_j+1} = j, \quad \dots, \\ \dots, \quad c'_{k_i+k_j+\dots+k_{n-1}+2} = c'_{k_i+k_j+\dots+k_{n-1}+3} = \dots = c'_{k_i+k_j+\dots+k_n+1} = n. \end{aligned}$$

Suppose that $\mathbf{m}\mathbf{m}'$ is dominant. The length of M_1 is L and the length of M_2 is $L+1$. By the same arguments as the arguments in the proof of Theorem 6.3, we have $p'_u = p'_{c'_u, d'_u}$, $k_i < u \leq L+1$ and $p_t = p_{c_t, d_t}^+$, $1 \leq t \leq L$. Therefore $\mathbf{m} = M_1$.

If $p'_{k_i} = p'_{c_{k_i}, d_{k_i}}^+$, then $p'_{k_i-\ell} = p'_{c_{k_i-\ell}, d_{k_i-\ell}}^+$ ($1 \leq \ell \leq k_i-1$). Therefore $\mathbf{m}\mathbf{m}' = M_1 M_2$. If $p'_{k_i} = p'_{c_{k_i}, d_{k_i}}^+ A_{i, s+i+2k_i-4}^{-1}$, then $p'_{k_i-\ell} \in \{p'_{c_{k_i-\ell}, d_{k_i-\ell}}^+, p'_{c_{k_i-\ell}, d_{k_i-\ell}}^+ A_{i, s+i+2k_i-2\ell-4}^{-1}\}$ ($1 \leq \ell \leq k_i-1$). Therefore $\mathbf{m}\mathbf{m}'$ is one of the dominant monomials $M_1 M_2 \prod_{0 \leq j \leq r} A_{i, s+i+2k_i-2j-4}^{-1}$, $0 \leq r \leq k_i-1$.

If $p'_{k_i} \notin \{p'_{c_{k_i}, d_{k_i}}+, p'_{c_{k_i}, d_{k_i}}+ A_{i, s+i+2k_i-4}^{-1}\}$, then by the same arguments as the arguments in the proof of Theorem 6.3, \mathbf{mm}' is not dominant which contradicts our assumption. \square

Proof of the case of the 3-rd line of the second column of Table 2. We have

$$M_1 = M_{0, \dots, 0, k_{n-1}, k_n}^{(s)}, \quad M_2 = M_{0, \dots, 0, k_{n-1}, k_n+2}^{(s-4)}.$$

Let $L = k_{n-1} + k_n$. Let $\mathbf{m} = \prod_{t=1}^L m(p_t)$ be a monomial in $\chi_q(M_1)$, where $(p_1, \dots, p_L) \in \overline{\varphi}_{(c_t, d_t)_{1 \leq t \leq L}}$ is a tuple of non-overlapping paths, d_1, \dots, d_L are some integers determined by s, k_{n-1}, k_n , and

$$c_1 = c_2 = \dots = c_{k_{n-1}} = n - 1, \quad c_{k_{n-1}+1} = c_{k_{n-1}+2} = \dots = c_{k_{n-1}+k_n} = n.$$

Let $\mathbf{m}' = \prod_{u=1}^{L+2} m(p'_u)$ be a monomial in $\chi_q(M_2)$, where

$$(p'_1, \dots, p'_{L+2}) \in \overline{\varphi}_{(c'_u, d'_u)_{1 \leq u \leq L+2}}$$

is a tuple of non-overlapping paths, d'_1, \dots, d'_{L+2} are some integers determined by s, k_{n-1}, k_n , and

$$c'_1 = c'_2 = \dots = c'_{k_{n-1}} = n - 1, \quad c'_{k_{n-1}+1} = c'_{k_{n-1}+2} = \dots = c'_{k_{n-1}+k_n+2} = n.$$

Suppose that \mathbf{mm}' is dominant. The length of M_1 is L and the length of M_2 is $L+2$. By the same arguments as the arguments in the proof of Theorem 6.3, we have $p'_u = p'_{c'_u, d'_u}+$, $k_{n-1} < u \leq L+2$ and $p_t = p_{c_t, d_t}^+$, $1 \leq t \leq L$. Therefore $\mathbf{m} = M_1$.

If $p'_{k_{n-1}} = p'_{c_{k_{n-1}}, d_{k_{n-1}}}+$, then $p'_{k_{n-1}-\ell} = p'_{c_{k_{n-1}-\ell}, d_{k_{n-1}-\ell}}+$ ($1 \leq \ell \leq k_{n-1} - 1$). Therefore $\mathbf{mm}' = M_1 M_2$. If $p'_{k_{n-1}} = p'_{c_{k_{n-1}}, d_{k_{n-1}}}+ A_{n-1, s+2n+4k_{n-1}-10}^{-1}$, then

$$p'_{k_{n-1}-\ell} \in \{p'_{c_{k_{n-1}-\ell}, d_{k_{n-1}-\ell}}+, p'_{c_{k_{n-1}-\ell}, d_{k_{n-1}-\ell}}+ A_{n-1, s+2n+4k_{n-1}-4\ell-10}^{-1}\}, \quad 1 \leq \ell \leq k_{n-1} - 1.$$

Therefore \mathbf{mm}' is one of the dominant monomials $M_1 M_2 \prod_{0 \leq j \leq r} A_{n-1, s+2n+4k_{n-1}-4j-10}^{-1}$, $0 \leq r \leq k_{n-1} - 1$. If $p'_{k_{n-1}} \notin \{p'_{c_{k_{n-1}}, d_{k_{n-1}}}+, p'_{c_{k_{n-1}}, d_{k_{n-1}}}+ A_{n-1, s+2n+4k_{n-1}-10}^{-1}\}$, then by the same arguments as the arguments in the proof of Theorem 6.3, \mathbf{mm}' is not dominant which contradicts our assumption. \square

8. PROOF OF THEOREM 3.5

In this section, we prove Theorem 3.5.

By Lemma 7.1, we have the following result.

Corollary 8.1. *The modules in the second summand on the right hand side of every equation of the M-system are special. In particular, they are simple.*

Therefore in order to prove Theorem 3.5, we only need to prove that the modules in the first summand on the right hand side of every equation of the M-system are simple. We will prove that in the case of type A_n ,

$$\mathcal{M}_{0, \dots, 0, k_i+1, 0, \dots, 0, k_j, k_{j+1}, \dots, k_n}^{(s-2)} \otimes \mathcal{M}_{0, \dots, 0, k_i-1, 0, \dots, 0, k_j+1, k_{j+1}, \dots, k_n}^{(s)}, \quad (8.1)$$

where $2 < i + 1 < j \leq n$, is simple (this is $\mathcal{M}_3 \otimes \mathcal{M}_4$ which corresponds to the 4-th line of the third column of Table 1), and in the case of type B_n ,

$$\mathcal{M}_{0,\dots,0,k_{n-1}+1,k_n}^{(s-4)} \otimes \mathcal{M}_{0,\dots,0,k_{n-1}-1,k_n+2}^{(s)} \quad (8.2)$$

is simple (this is $\mathcal{M}_3 \otimes \mathcal{M}_4$ which corresponds to the 3-rd line of the third column of Table 2). The other cases are similar.

The following is the proof of the fact that (8.1) is simple. Let

$$M_3 = M_{0,\dots,0,k_i+1,0,\dots,0,k_j,k_{j+1},\dots,k_n}^{(s-2)}, \quad M_4 = M_{0,\dots,0,k_i-1,0,\dots,0,k_j+1,k_{j+1},\dots,k_n}^{(s)}.$$

By Lemma 7.1, the dominant monomials in $\chi_q(M_3)\chi_q(M_4)$ are

$$M_r = M_3 M_4 \prod_{0 \leq j \leq r} A_{i,s+i+2k_i-2j-4}^{-1}, \quad -1 \leq r \leq k_i - 2.$$

We need to show that $\chi_q(M_r) \not\subseteq \chi_q(M_3)\chi_q(M_4)$ for $0 \leq r \leq k_i - 2$. We will prove the case of $r = 0$. The other cases are similar. By Corollary 2.6, the monomial $n_1 = M_3 M_4 A_{i,s+i+2k_i-4}^{-2}$ is in $\chi_q(M_0)$.

Suppose that $n_1 \in \chi_q(M_3)\chi_q(M_4)$. Then $n_1 = m_1 m_2$, where $m_1 \in \chi_q(M_3)$, $m_2 \in \chi_q(M_4)$. Since $n_1 = M_3 M_4 A_{i,s+i+2k_i-4}^{-2}$, by the expressions M_3 and M_4 we must have

$$m_1 = M_3 A_{i,s+i+2k_i-4}^{-1}, \quad m_2 = M_4 A_{i,s+i+2k_i-4}^{-1}.$$

But by the Frenkel-Mukhin algorithm, $M_3 A_{i,s+i+2k_i-4}^{-1}$ is not in $\chi_q(M_3)$. This is a contradiction. Therefore $n_1 \notin \chi_q(M_3)\chi_q(M_4)$ and hence $\chi_q(M_0) \not\subseteq \chi_q(M_3)\chi_q(M_4)$.

The following is the proof of the fact that (8.2) is simple. Let

$$M_3 = M_{0,\dots,0,k_{n-1}+1,k_n}^{(s-4)}, \quad M_4 = M_{0,\dots,0,k_{n-1}-1,k_n+2}^{(s)}.$$

By Lemma 7.1, the dominant monomials in $\chi_q(M_3)\chi_q(M_4)$ are

$$M_r = M_3 M_4 \prod_{0 \leq j \leq r} A_{n-1,s+2n+4k_{n-1}-4j-10}^{-1}, \quad -1 \leq r \leq k_{n-1} - 2.$$

We need to show that $\chi_q(M_r) \not\subseteq \chi_q(M_3)\chi_q(M_4)$ for $0 \leq r \leq k_{n-1} - 2$. We will prove the case of $r = 0$. The other cases are similar. By Corollary 2.6, the monomial $n_1 = M_3 M_4 A_{n-1,s+2n+4k_{n-1}-10}^{-2}$ is in $\chi_q(M_0)$.

Suppose that $n_1 \in \chi_q(M_3)\chi_q(M_4)$. Then $n_1 = m_1 m_2$, where $m_1 \in \chi_q(M_3)$, $m_2 \in \chi_q(M_4)$. Since $n_1 = M_3 M_4 A_{n-1,s+2n+4k_{n-1}-10}^{-2}$, by the expressions M_3 and M_4 we must have

$$m_1 = M_3 A_{n-1,s+2n+4k_{n-1}-10}^{-1}, \quad m_2 = M_4 A_{n-1,s+2n+4k_{n-1}-10}^{-1}.$$

But by the Frenkel-Mukhin algorithm, $M_3 A_{n-1,s+2n+4k_{n-1}-10}^{-1}$ is not in $\chi_q(M_3)$. This is a contradiction. Hence $\chi_q(M_0) \not\subseteq \chi_q(M_3)\chi_q(M_4)$.

ACKNOWLEDGEMENT

The authors are very grateful to the anonymous referees for their comments and suggestions that have been helpful to improve the quality of this paper. J.-R. Li would like to express his gratitude to Professor Vyjayanthi Chari for telling him a reference about the fact that all minimal affinizations are prime. J.-R. Li is supported by ERC AdG Grant 247049, the PBC Fellowship Program of Israel for Outstanding Post-Doctoral Researchers from China and India. The authors are supported by the National Natural Science Foundation of China (no. 11371177, 11401275), and the Fundamental Research Funds for the Central Universities of China (no. lzujbky-2015-78).

APPENDIX

In this section, we give some examples of mutation sequences. The initial quivers in this section are the initial quivers in [HL13]. The mutation sequences in this section are similar to the mutation sequences given in [HL13]. In [HL13], the mutation sequences produce Kirillov-Reshetikhin modules. In the following, the mutation sequences produce minimal affinizations. A box at a vertex indicates that a mutation has been performed at the vertex. Figure 1 and Figure 2 are examples of mutation sequences of type A_3 . Figure 3 and Figure 4 are examples of mutation sequences of type B_2 .

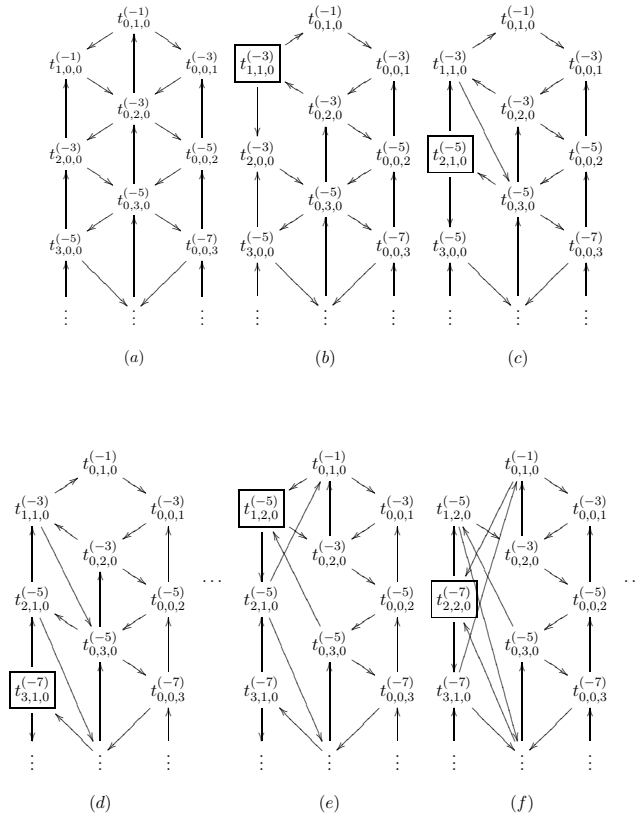
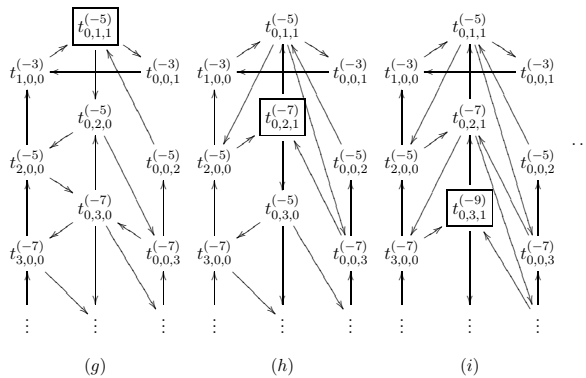
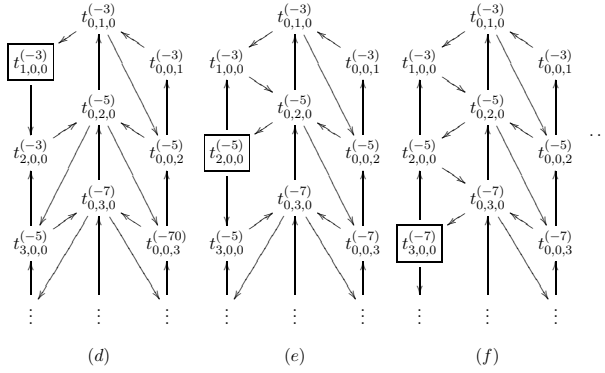
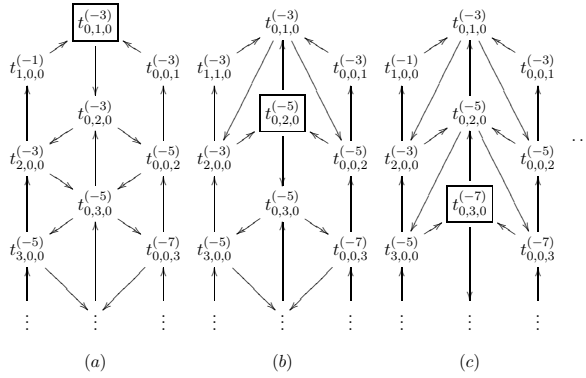


FIGURE 1. The mutation sequence (C_1, C_1) .



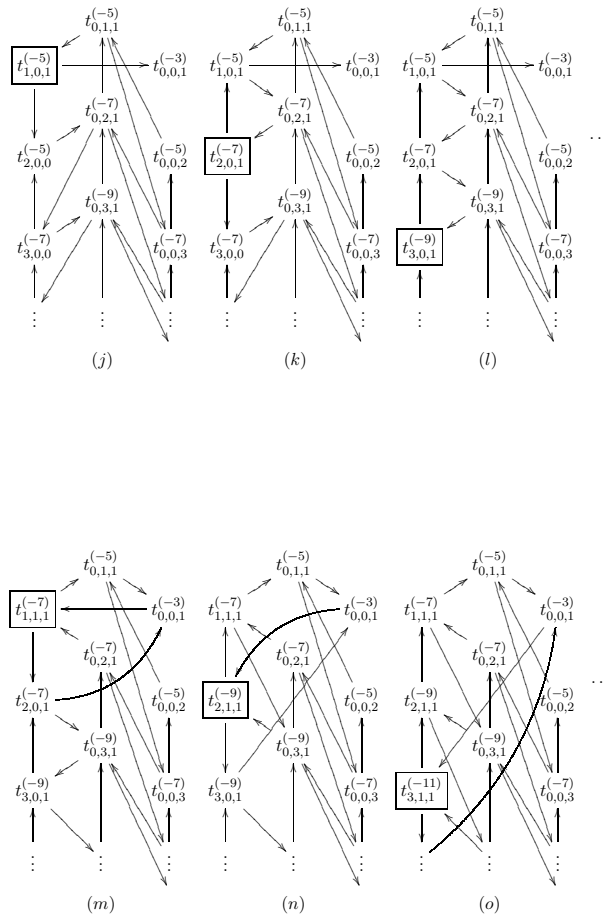
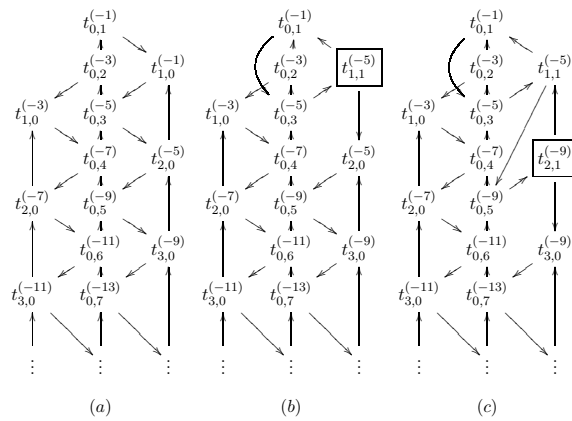


FIGURE 2. The mutation sequence $(C_2, C_1, C_2, C_1, C_1)$.



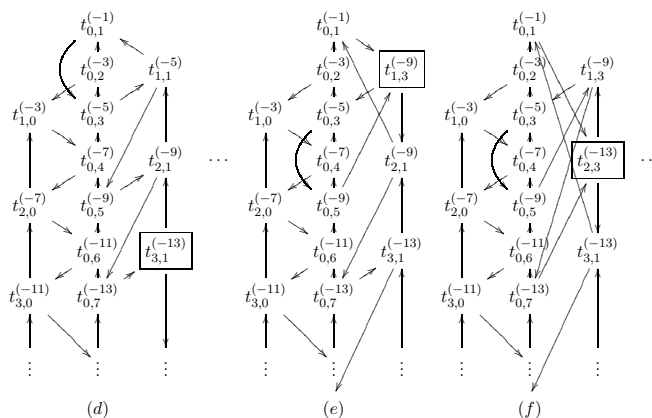


FIGURE 3. The mutation sequence (C_1, C_1) .

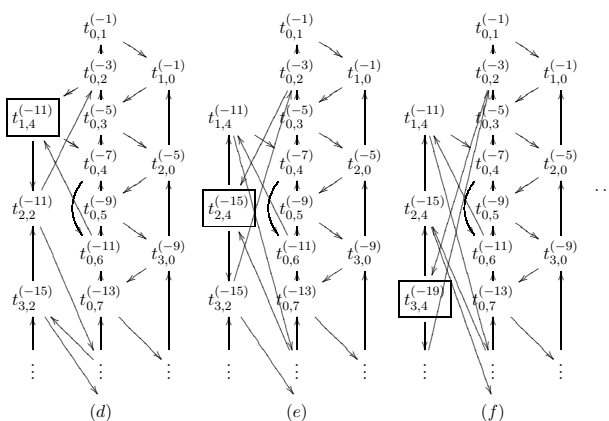
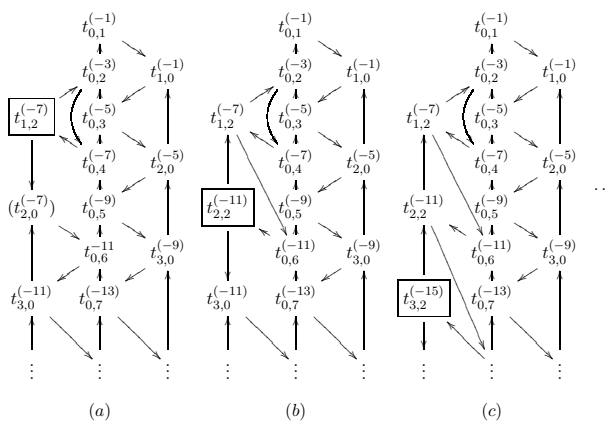


FIGURE 4. The mutation sequence (C_3, C_3) .

REFERENCES

- [Car05] R. W. Carter, *Lie algebras of finite and affine type*, Cambridge Studies in Advanced Mathematics, **96**, Cambridge University Press, Cambridge, 2005, xviii+632 pp.
- [C95] V. Chari, *Minimal affinizations of representations of quantum groups: the rank 2 case*, Publ. Res. Inst. Math. Sci. **31** (1995), no. 5, 873–911.
- [CG11] V. Chari, J. Greenstein, *Minimal affinizations as projective objects*, J. Geom. Phys. **61** (2011), no. 9, 1717–1732.
- [CMY13] V. Chari, A. Moura, C. A. S. Young, *Prime representations from a homological perspective*, Math. Z. **274** (2013), no. 1-2, 613–645.
- [CP91] V. Chari, A. Pressley, *Quantum affine algebras*, Comm. Math. Phys. **142** (1991), no. 2, 261–283.
- [CP94] V. Chari, A. Pressley, *A guide to quantum groups*, Cambridge University Press, Cambridge (1994), xvi+651 pp.
- [CP95a] V. Chari, A. Pressley, *Quantum affine algebras and their representations*, Representations of groups (Banff, AB, 1994), 59–78, CMS Conf. Proc., **16**, Amer. Math. Soc., Providence, RI, 1995.
- [CP95b] V. Chari, A. Pressley, *Minimal affinizations of representations of quantum groups: the nonsimple-laced case*, Lett. Math. Phys. **35** (1995), no. 2, 99–114.
- [CP96a] V. Chari, A. Pressley, *Minimal affinizations of representations of quantum groups: the simply laced case*, J. Algebra **184** (1996), no. 1, 1–30.
- [CP97] V. Chari, A. Pressley, *Factorization of representations of quantum affine algebras*, Modular interfaces (Riverside, CA, 1995), AMS/IP Stud. Adv. Math., vol. **4**, Amer. Math. Soc., Providence, RI (1997), 33–40.
- [Dri87] V. G. Drinfeld, *Quantum groups*, Proceedings of the International Congress of Mathematicians, Vol. **1, 2** (Berkeley, Calif., 1986), Amer. Math. Soc., Providence, RI (1987), 798–820.
- [Dri88] V. G. Drinfeld, *A new realization of Yangians and of quantum affine algebras*, (Russian) Dokl. Akad. Nauk SSSR **296** (1987), no. 1, 13–17; translation in Soviet Math. Dokl. **36** (1988), no. 2, 212–216.
- [FM01] E. Frenkel, E. Mukhin, *Combinatorics of q -characters of finite-dimensional representations of quantum affine algebras*, Comm. Math. Phys. **216** (2001), no. 1, 23–57.
- [FR98] E. Frenkel, N. Yu. Reshetikin, *The q -characters of representations of quantum affine algebras and deformations of W -algebras*, Recent developments in quantum affine algebras and related topics (Raleigh, NC, 1998), 163–205, Contemp. Math., **248**, Amer. Math. Soc., Providence, RI, 1999.
- [FZ02] S. Fomin, A. Zelevinsky, *cluster algebras I: Foundations*, J. Amer. Math. Soc. **15** (2002), 497–529.
- [GG14] J. Grabowski, S. Gratz, *Cluster algebras of infinite rank, with an appendix by Michael Groechenig*, J. Lond. Math. Soc. **89** (2014), no. 2, 337–363.
- [Her05] D. Hernandez, *Monomials of q and q, t -characters for non simply-laced quantum affinizations*, Math. Z. **250** (2005), no. 2, 443–473.
- [Her06] D. Hernandez, *The Kirillov-Reshetikhin conjecture and solutions of T -systems*, J. Reine Angew. Math. **596** (2006), 63–87.
- [Her07] D. Hernandez, *On minimal affinizations of representations of quantum groups*, Comm. Math. Phys. **276** (2007), no. 1, 221–259.
- [HL10] D. Hernandez, B. Leclerc, *Cluster algebras and quantum affine algebras*, Duke Math. J. **154** (2010), no. 2, 265–341.
- [HL13] D. Hernandez, B. Leclerc, *A cluster algebra approach to q -characters of Kirillov-Reshetikhin modules*, arXiv:1303.0744, 1–45.
- [IIKKN13a] R. Inoue, O. Iyama, B. Keller, A. Kuniba, T. Nakanishi, *Periodicities of T and Y -systems, dilogarithm identities, and cluster algebras I: Type B_r* , Publ. Res. Inst. Math. Sci. **49** (2013), no. 1, 1–42.
- [IIKKN13b] R. Inoue, O. Iyama, B. Keller, A. Kuniba, T. Nakanishi, *Periodicities of T and Y -systems, dilogarithm identities, and cluster algebras II: Types C_r , F_4 , and G_2* , Publ. Res. Inst. Math. Sci. **49** (2013), no. 1, 43–85.
- [Jim85] M. Jimbo, *A q -difference analogue of $U(\mathfrak{g})$ and the Yang-Baxter equation*, Lett. Math. Phys. **10** (1985), no. 1, 63–69.
- [K91] M. Kashiwara, *on crystal bases of the Q -analogue of universal enveloping algebras*, Duke Math. J. **63** (1991), no. 2, 465–516.

- [KNS94] A. Kuniba, T. Nakanishi, J. Suzuki, *Functional relations in solvable lattice models. I. Functional relations and representation theory*, Int. J. Mod. Phys. A **9** (1994), no. 30, 5215–5266.
- [KNS11] A. Kuniba, T. Nakanishi, J. Suzuki, *T-systems and Y-systems in integrable systems*, J. Phys. A **44** (2011), no. 10, 103001, 146 pp.
- [KQ14] Y. Kimura, F. Qin, *Graded quiver varieties, quantum cluster algebras and dual canonical basis*, Adv. Math. **262** (2014), 261–312.
- [L90] G. Lusztig, *Canonical bases arising from quantized enveloping algebras*, J. Amer. Math. Soc. **3** (1990), no. 2, 447–498.
- [L94] G. Lusztig, *Total positivity in reductive groups*, In Lie Theory and Geometry, Progress in Mathematics **123**, Birkhäuser-Verlag, Basel-Boston (1994), 531–568.
- [Le03] B. Leclerc, *Imaginary vectors in the dual canonical basis of $U_q(n)$* , Transform Groups **8** (2003), no. 1, 95–104.
- [Le10] B. Leclerc, *Cluster algebras and representation theory*, Proceedings of the International Congress of Mathematicians. Volume IV (2010). 2471–2488.
- [Lee13] K. Lee, *Every finite acyclic quiver is a full subquiver of a quiver mutation equivalent to a bipartite quiver*, arXiv:1311.0711, 2013, 1–2.
- [Li15] J. R. Li, *On the extended T-system of type C_3* , Journal of Algebraic Combinatorics, **41** (2015), 577–617.
- [LM13] J. R. Li, E. Mukhin, *Extended T -system of type G_2* , SIGMA Symmetry, Integrability Geom. Methods Appl. **9** (2013), Paper 054, 28 pp.
- [M10] A. Moura, *Restricted limits of minimal affinizations*, Pacific J. Math. **244** (2010), no. 2, 359–397.
- [MP07] M. G. Moakes, A. N. Pressley, *q-characters and minimal affinizations*, Int. Electron. J. Algebra **1** (2007), 55–97.
- [MP11] A. Moura, F. Pereira, *Graded limits of minimal affinizations and beyond: the multiplicity free case for type E_6* , Algebra Discrete Math. **12** (2011), no. 1, 69–115.
- [MY12a] E. Mukhin, C. A. S. Young, *Path description of type B q-characters*, Adv. Math. **231** (2012), no. 2, 1119–1150.
- [MY12b] E. Mukhin, C. A. S. Young, *Extended T-systems*, Selecta Math.(N.S.), **18** (2012), no. 3, 591–631.
- [MY14] E. Mukhin, C. A. S. Young, *Affinization of category \mathcal{O} for quantum groups*, Trans. Amer. Math. Soc. **366** (2014), 4815–4847.
- [NN11] W. Nakai, T. Nakanishi, *On Frenkel-Mukhin algorithm for q-character of quantum affine algebras*, Exploring new structures and natural constructions in mathematical physics, 327–347, Adv. Stud. Pure Math., **61**, Math. Soc. Japan, Tokyo, 2011.
- [Nak03] H. Nakajima, *t-analogs of q-characters of Kirillov-Reshetikhin modules of quantum affine algebras*, Represent. Theory **7** (2003), 259–274 (electronic).
- [Nak04] H. Nakajima, *Quiver Varieties and t-Analogs of q-Charaters of Quantum Affine Algebras*, Ann. of Math. **160** (2004), 1057 – 1097.
- [Nak11] H. Nakajima, *Quiver varieties and cluster algebras*, Kyoto J. Math. **51** (2011), no. 1, 71–126.
- [Nao13] K. Naoi, *Demazure modules and graded limits of minimal affinizations*, Represent. theory, **17** (2013), 524–556.
- [Nao14] K. Naoi, *Graded limits of minimal affinizations in type D*, SIGMA Symmetry Integrability Geom. Methods Appl. **10** (2014), Paper 047, 20 pp.
- [QL14] L. Qiao, J. R. Li, *Cluster algebras and minimal affinizations of representations of the quantum group of type G_2* , arXiv:1412.3884.
- [S14] S. V. Sam, *Jacobi-Trudi determinants and characters of minimal affinizations*, Pacific J. Math. **272** (2014), no. 1, 237–244.

QIAN-QIAN ZHANG: SCHOOL OF MATHEMATICS AND STATISTICS, LANZHOU UNIVERSITY, LANZHOU 730000, P. R. CHINA.

E-mail address: Zhangqq2014@lzu.edu.cn

BING DUAN: SCHOOL OF MATHEMATICS AND STATISTICS, LANZHOU UNIVERSITY, LANZHOU 730000, P. R. CHINA.

E-mail address: duan890818@163.com

JIAN-RONG LI, EINSTEIN INSTITUTE OF MATHEMATICS, THE HEBREW UNIVERSITY OF JERUSALEM, JERUSALEM 9190401, ISRAEL, AND SCHOOL OF MATHEMATICS AND STATISTICS, LANZHOU UNIVERSITY, LANZHOU 730000, P. R. CHINA

E-mail address: lijr07@gmail.com, lijr@lzu.edu.cn

YAN-FENG LUO: SCHOOL OF MATHEMATICS AND STATISTICS, LANZHOU UNIVERSITY, LANZHOU 730000, P. R. CHINA.

E-mail address: luoyf@lzu.edu.cn