

TILTING BUNDLES ON TORIC FANO FOURFOLDS

NATHAN PRABHU-NAIK

ABSTRACT. This paper constructs tilting bundles obtained from full strong exceptional collections of line bundles on all smooth 4-dimensional toric Fano varieties. The tilting bundles lead to a large class of explicit Calabi-Yau-5 algebras, obtained as the corresponding rolled-up helix algebra. A database of the full strong exceptional collections can be found in the package *QuiversToricVarieties* for the computer algebra system *Macaulay2*.

1. INTRODUCTION

Let X be a smooth variety over \mathbb{C} and let $\mathcal{D}^b(X)$ be the bounded derived category of coherent sheaves on X . A tilting object $\mathcal{T} \in \mathcal{D}^b(X)$ is an object such that $\mathrm{Hom}^i(\mathcal{T}, \mathcal{T}) = 0$ for $i \neq 0$ and \mathcal{T} generates $\mathcal{D}^b(X)$. If such a \mathcal{T} exists, then tilting theory provides an equivalence of triangulated categories between $\mathcal{D}^b(X)$ and the bounded derived category $\mathcal{D}^b(A)$ of finitely generated right modules over the algebra $A = \mathrm{End}(\mathcal{T})$ via the adjoint functors

$$\begin{array}{ccc} & \mathbf{R}\mathrm{Hom}_X(\mathcal{T}, -) & \\ & \curvearrowright & \\ \mathcal{D}^b(X) & & \mathcal{D}^b(A) \\ & \curvearrowleft & \\ & (-) \stackrel{\mathbb{L}}{\otimes}_A \mathcal{T} & \end{array}$$

If X is also projective then one can use a full strong exceptional collection to obtain a tilting object; a full strong exceptional collection of sheaves $\{E_i\}_{i \in I}$ defines a tilting sheaf $\mathcal{T} := \bigoplus_{i \in I} E_i$ and conversely, the non-isomorphic summands in a tilting sheaf determine a full strong exceptional collection. The classical example of a tilting sheaf was provided by Beilinson [Beĭ78], who showed that $\mathcal{O} \oplus \mathcal{O}(1) \oplus \dots \oplus \mathcal{O}(n)$ is a tilting bundle for \mathbb{P}^n .

The combinatorial nature of toric varieties makes it feasible to check whether a collection of line bundles on a smooth projective toric variety is full strong exceptional, in which case one can construct the resulting endomorphism algebra explicitly. Smooth toric Fano varieties are

Date: November 6, 2021.

2010 Mathematics Subject Classification. 14A22 (primary); 13F60, 22F30 (secondary).

Key words and phrases. full strong exceptional collection, quiver algebra, derived category.

of particular interest; there are a finite number of these varieties in each dimension and they have been classified in dimension 3 by Watanabe–Watanabe and Batyrev [WW82, Bat82b], dimension 4 by Batyrev and Sato [Bat99, Sat00], dimension 5 by Kreuzer–Nill [KN09], whilst Øbro [Øb07] provided a general classification algorithm. King [Kin97] has exhibited full strong exceptional collections of line bundles for the 5 smooth toric Fano surfaces, and by building on work by Bondal [Bon06], Costa–Miró-Roig [CMR04] and Bernardi–Tirabassi [BT09], Uehara [Ueh14] provided full strong exceptional collections of line bundles for the 18 smooth toric Fano threefolds. The main theorem of this paper is as follows:

Theorem 1.1. *Let X be one of the 124 smooth toric Fano fourfolds. Then one can explicitly construct a full strong exceptional collection of line bundles on X , a database of which is contained in the computer package `QuiversToricVarieties` [PN15] for Macaulay2 [GS].*

In addition to low-dimensional smooth toric Fano varieties, other classes of toric varieties have been shown to have full strong exceptional collections of line bundles – for example, see [CMR04, DLM09, LM11]. Kawamata [Kaw06] showed that every smooth toric Deligne–Mumford stack has a full exceptional collection of sheaves, but we note that these collections are not shown to be strong, nor do they consist of bundles. It is important to note that the existence of full strong exceptional collections of line bundles is rare; Hille–Perling [HP06] constructed smooth toric surfaces that do not have such collections. Even when only considering smooth toric Fano varieties, there exist examples in dimensions ≥ 419 that do not have full strong exceptional collections of line bundles, as demonstrated by Efimov [Efi10].

Using the tilting bundles constructed on smooth toric Fano varieties as above, we construct a tilting bundle on the total space of its canonical bundle ω_X :

Theorem 1.2. *Let X be an n -dimensional smooth toric Fano variety for $n \leq 4$, $\mathcal{L} = \{L_0, \dots, L_r\}$ be the full strong exceptional collection on X from the database and $\pi: Y := \text{tot}(\omega_X) \rightarrow X$ be the bundle map. Then Y has a tilting bundle that decomposes as a sum of line bundles, given by $\bigoplus_{L_i \in \mathcal{L}} \pi^*(L_i)$.*

To show that a given collection on a toric Fano variety X is strong exceptional, we utilise the construction of the non-vanishing cohomology cones in the Picard lattice for X as introduced by Eisenbud–Mustață–Stillman [EMS00]. The strong exceptional condition then becomes a computational exercise, which has been implemented into `QuiversToricVarieties` [PN15].

The procedure to check whether a given strong exceptional collection \mathcal{L} on X generates $\mathcal{D}^b(X)$ is less straightforward. We use one of two methods to show that \mathcal{L} is full, the first of which is similar to the method used by Uehara on the toric Fano threefolds [Ueh14]. This approach uses the Frobenius pushforward to obtain a set of line bundles that are known to generate $\mathcal{D}^b(X)$, and then we show that \mathcal{L} generates this set by using exact sequences of line

bundles. The second method uses the line bundles to obtain a resolution of \mathcal{O}_Δ , the structure sheaf of the diagonal. We achieve this by utilising the idea of a *toric cell complex*, introduced by Craw–Quintero-Vélez [CQV12] to guess what a minimal projective A, A -bimodule resolution of the endomorphism algebra $A = \text{End}(\bigoplus_i L_i)$ is. In particular, by considering the pullback of \mathcal{L} on Y , we obtain a CY5 algebra for which we know the 0^{th} , 1^{st} and 2^{nd} terms of its minimal projective bimodule resolution. The natural duality inherent in the CY5 algebra then gives clues as to what the 3^{rd} , 4^{th} and 5^{th} terms are. We sheafify the result, restrict to X and then check that the resulting exact sequence of sheaves S^\bullet is indeed a resolution of \mathcal{O}_Δ by using quiver moduli. Our calculations lead us to the following conjecture:

Conjecture 1.3. *Let X be a smooth toric Fano threefold or one of the 88 smooth toric Fano fourfolds such that the given full strong exceptional collection \mathcal{L} in the database [PN15] has a corresponding exact sequence of sheaves $S^\bullet \in \mathcal{D}^b(X \times X)$. Let B denote the rolled up helix algebra of A . Then the toric cell complex of B exists and is supported on a real five-dimensional torus. Moreover,*

- *the cellular resolution exists in the sense of [CQV12], thereby producing the minimal projective bimodule resolution of B ;*
- *the object S^\bullet is quasi-isomorphic to $\mathcal{T} \overset{\mathbf{L}}{\boxtimes}_A \mathcal{T}^\vee \in \mathcal{D}^b(X \times X)$, where $\mathcal{T} := \bigoplus_{L \in \mathcal{L}} L$ and $\mathcal{T} \overset{\mathbf{L}}{\boxtimes}_A \mathcal{T}^\vee$ is the exterior tensor product over A of \mathcal{T} and \mathcal{T}^\vee .*

By considering the birational geometry of the toric Fano fourfolds and choosing collections \mathcal{L} from a special set of line bundles as Uehara did on the toric Fano threefolds, the pushforward of \mathcal{L} onto a torus-invariant divisorial contraction is automatically full (see Proposition 7.2). Using this result, we obtain full strong exceptional collections on many of the toric Fano fourfolds from the the pushforward of collections on the birationally maximal examples. A database of the full strong exceptional collections on n -dimensional smooth toric Fano varieties, $1 \leq n \leq 4$, as well as many of the computational tools used in the proofs of the theorems above, is contained in the *QuiversToricVarieties* package.

Acknowledgments 1.4. *The author wishes to thank his Ph.D. supervisor Alastair Craw for suggesting the problem and for guidance during the research. He also wishes to thank Greg Smith who developed the foundations of the Macaulay2 package QuiversToricVarieties, as well as Alastair King, Jesus Tapia Amador, Ziyu Zhang and Matthew Pressland for useful conversations. The author’s Ph.D. research is supported by an EPSRC studentship.*

Notation. We work throughout over the field \mathbb{C} of complex numbers.

2. BACKGROUND

2.1. Toric Geometry. For $n \geq 0$, let M be a rank n lattice and define $N := \text{Hom}_{\mathbb{Z}}(M, \mathbb{Z})$ to be its dual lattice. The realification $M_{\mathbb{R}} := M \otimes_{\mathbb{Z}} \mathbb{R}$ and $N_{\mathbb{R}} := N \otimes_{\mathbb{Z}} \mathbb{R}$ are real vector spaces which contain the underlying lattices and there exists a natural pairing $\langle \cdot, \cdot \rangle: M_{\mathbb{R}} \times N_{\mathbb{R}} \rightarrow \mathbb{R}$. The convex hull of a finite set of lattice points in M defines a *lattice polytope* $P \subset M_{\mathbb{R}}$ and its *facets* are the codimension 1 faces of P . We will assume that the dimension of P is equal to the rank of M . The theory of polytopes (see for example Cox–Little–Schenck [CLS11]) states that every facet F in P has an inward-pointing normal n_F that defines a one-dimensional cone $\{\lambda n_F \mid \lambda \in \mathbb{R}_{\geq 0}\}$ in $N_{\mathbb{R}}$. The cone is rational as P is a lattice polytope, so it has a unique generator $u_F \in N$. Given $a \in \mathbb{R}$ and a non-zero vector $u \in N_{\mathbb{R}}$ we have the *affine hyperplane* $H_{u,a} := \{m \in M_{\mathbb{R}} \mid \langle m, u \rangle = a\}$ and the *closed half-space* $H_{u,a}^+ := \{m \in M_{\mathbb{R}} \mid \langle m, u \rangle \geq a\}$. As P is full-dimensional, each facet F defines a unique number $a_F \in \mathbb{R}$ such that $F = H_{u_F, a_F} \cap P$ and $P \subset H_{u_F, a_F}^+$. We can therefore use the generators to completely describe P , using its unique *facet presentation*

$$P = \{m \in M_{\mathbb{R}} \mid \langle m, u_F \rangle \geq -a_F \text{ for all facets } F \text{ in } P\}.$$

If the origin of $M_{\mathbb{R}}$ is an interior lattice point of P , then P has a dual polytope P° which is defined to be the convex hull of the generators for the inward-pointing normal rays of P :

$$P^\circ = \text{Conv}(u_F \mid F \text{ is a facet of } P) \subset N_{\mathbb{R}}$$

The dual polytope determines a *fan* in $N_{\mathbb{R}}$:

Definition 2.1. For $1 \leq m \leq n$, let F be an $(m - 1)$ -dimensional face of P° with vertices $\{u_{i_1}, \dots, u_{i_m}\}$. The m -dimensional cone $\sigma(F)$ is given by

$$(2.1) \quad \sigma(F) := \{\lambda_1 u_{i_1} + \dots + \lambda_m u_{i_m} \in N \mid \lambda_j \geq 0, 1 \leq j \leq m\}.$$

The fan $\Sigma(P^\circ) \subset N$ associated to P° is given by the collection of cones

$$(2.2) \quad \Sigma = \Sigma(P^\circ) := \{0\} \cup \{\sigma(F)\}_{F \subsetneq P^\circ}$$

where F runs over all proper faces of P° .

Let $\Sigma(k)$ denote the set of k -dimensional cones in a fan Σ . The *rays* of Σ are the one-dimensional cones which, by construction, are generated by the vectors u_F for each facet $F \subset P$. We can use the ray generators to define *primitive collections* and *primitive relations* which describe Σ combinatorially.

Definition 2.2. A subset $\mathcal{P} = \{u_{i_1}, \dots, u_{i_k}\}$ of the set of ray generators $\mathcal{V} = \{u_F \in N \mid F \text{ is a facet of } P\}$ for Σ is a *primitive collection* if

- (i) there does not exist a cone in Σ that contains every element of \mathcal{P} and
- (ii) any proper subset of \mathcal{P} is contained in some cone of Σ .

The integral element $s(\mathcal{P}) = u_{i_1} + \dots + u_{i_k}$ is contained in some cone $\sigma \subset \Sigma$ with ray generators $\{u_{j_1}, \dots, u_{j_m}\}$ and so can be uniquely written as a sum of the generators:

$$s(\mathcal{P}) = c_1 u_{j_1} + \dots + c_m u_{j_m}, c_i > 0, c_i \in \mathbb{Z}.$$

The linear relation

$$u_{i_1} + \dots + u_{i_m} - (c_1 u_{j_1} + \dots + c_m u_{j_m}) = 0$$

between the ray generators of Σ is the *primitive relation* associated to the primitive collection \mathcal{P} .

Note that primitive relations and collections can alternatively be defined for polytopes.

Toric geometry (see e.g. Fulton [Ful93] or Cox–Little–Schenck [CLS11]) associates to each fan Σ a toric variety X_Σ such that M is the character lattice of the dense torus $T \cong \text{Hom}_{\mathbb{Z}}(M, \mathbb{C}^*)$ in X_Σ . If the fan Σ is constructed from a polytope $P \subset M_{\mathbb{R}}$ as above, then we use X_P to denote the corresponding toric variety. For a cone $\sigma \subset \Sigma$ define $\sigma^\perp := \{m \in M \mid \langle m, u \rangle = 0 \text{ for all } u \in \sigma\}$. The Orbit-Cone Correspondence implies that for each ray $\rho \in \Sigma(1)$, the closure of the T -orbit $\text{Hom}_{\mathbb{Z}}(\rho^\perp \cap M, \mathbb{C}^*)$ is a torus-invariant divisor D_ρ in X_Σ . The lattice of torus-invariant divisors in X_Σ will therefore be denoted $\mathbb{Z}^{\Sigma(1)}$ and the class group will be denoted $\text{Cl}(X_\Sigma)$. We now have an exact sequence

$$(2.3) \quad 0 \longrightarrow M \longrightarrow \mathbb{Z}^{\Sigma(1)} \xrightarrow{\text{deg}} \text{Cl}(X_\Sigma) \longrightarrow 0,$$

where the injective map is $m \mapsto \sum_{\rho \in \Sigma(1)} \langle m, u_\rho \rangle D_\rho$ and the map *deg* sends the divisor D to the rank one reflexive sheaf $\mathcal{O}_{X_\Sigma}(D)$. If X_Σ is smooth then every rank one reflexive sheaf is invertible, so the class group $\text{Cl}(X_\Sigma)$ is isomorphic to the Picard group $\text{Pic}(X_\Sigma)$. Note that X_Σ is smooth if and only if for every cone $\sigma \subset \Sigma$, the minimal generators for σ form part of a \mathbb{Z} -basis for N .

The *Cox ring* for X_Σ is the semigroup ring $S_X := \mathbb{C}[x_\rho \mid \rho \in \Sigma(1)]$ of $\mathbb{N}^{\Sigma(1)} \subset \mathbb{Z}^{\Sigma(1)}$. The map *deg* induces a $\text{Cl}(X_\Sigma)$ -grading on S_X , where the degree of a monomial $\prod_{\rho \in \Sigma(1)} x_\rho^{a_\rho} \in S_X$ is $\mathcal{O}_{X_\Sigma}(\sum_{\rho \in \Sigma(1)} a_\rho D_\rho)$. For a divisor D and integer $l \in \mathbb{Z}$, we let $\mathbb{C}[x_\rho \mid \rho \in \Sigma(1)]_{lD}$ denote the $\mathcal{O}_X(lD)$ -graded piece. Cox [Cox95, Proposition 3.1] defines an exact functor from the category of $\text{Cl}(X_\Sigma)$ -graded S_X -modules to the category of quasi-coherent sheaves on X_Σ :

$$(2.4) \quad \{\text{Cl}(X_\Sigma)\text{-graded } S_X\text{-modules}\} \longrightarrow \text{Qcoh}(X_\Sigma) : M \mapsto \widetilde{M}.$$

When X_Σ is smooth, every coherent sheaf on X_Σ is isomorphic to \widetilde{M} for some finitely generated $\text{Pic}(X_\Sigma)$ -graded S_X -module M and two finitely generated $\text{Pic}(X_\Sigma)$ -graded S_X -modules determine isomorphic coherent sheaves if and only if they agree up to saturation by the *irrelevant ideal* $B := \left(\prod_{\rho \notin \sigma} x_\rho \mid \sigma \in \Sigma \right)$ [Cox95, Propositions 3.3, 3.5].

Morphisms between two toric varieties can be described by maps between their associated fans that preserve the cone structure. For example, consider the blowup of a torus-invariant

subvariety. By the Orbit-Cone Correspondence, a k -codimensional torus-invariant subvariety of a toric variety X_Σ corresponds to a cone $\sigma \in \Sigma(k)$, and the blowup of this subvariety is the toric variety whose fan is the *star subdivision* of σ . The star subdivision is a combinatorial process that introduces a new ray x with generator $u_\sigma = \sum_{\rho \in \sigma(1)} u_\rho$ and replaces Σ with

$$(2.5) \quad \Sigma_{\sigma,x}^* := \{\tau \subset \Sigma \mid \sigma \not\subseteq \tau\} \cup \bigcup_{\sigma \subseteq \tau} \Sigma_\tau^*(\sigma)$$

where $\Sigma_\tau^*(\sigma) := \{\text{Cone}(A) \mid A \subseteq \{u_\sigma\} \cup \tau(1), \sigma(1) \not\subseteq A\}$. The map between fans $\Sigma_{\sigma,x}^* \rightarrow \Sigma$ determines the blowup

$$(2.6) \quad \varphi: X_1 := X_{\Sigma_{\sigma,x}^*} \longrightarrow X_2 := X_\Sigma$$

and induces a commutative diagram between the corresponding exact sequences (2.3) for the varieties:

$$(2.7) \quad \begin{array}{ccccccc} 0 & \longrightarrow & M & \longrightarrow & \mathbb{Z}^{\Sigma_{\sigma,x}^*(1)} & \xrightarrow{\deg_{X_1}} & \text{Cl}(X_1) \longrightarrow 0 \\ & & \parallel & & \beta \downarrow & & \gamma \downarrow \\ 0 & \longrightarrow & M & \longrightarrow & \mathbb{Z}^{\Sigma(1)} & \xrightarrow{\deg_{X_2}} & \text{Cl}(X_2) \longrightarrow 0 \end{array}$$

where β projects away from the coordinate corresponding to the exceptional divisor and γ is such that $\gamma \circ \deg_{X_1} = \deg_{X_2} \circ \beta$.

We now restrict our attention to the class of *smooth reflexive* lattice polytopes in $M_{\mathbb{R}}$. A lattice polytope P is *reflexive* if its facet presentation is

$$P = \{m \in M_{\mathbb{R}} \mid \langle m, u_F \rangle \geq -1 \text{ for all facets } F \text{ in } P\}.$$

If P is reflexive then the origin of $M_{\mathbb{R}}$ is the only interior lattice point of P and its dual polytope is also a reflexive polytope. A polytope is *smooth* if its dual polytope determines a smooth fan, and two reflexive polytopes $P_1, P_2 \subset M_{\mathbb{R}}$ are *lattice equivalent* if P_1 is the image of P_2 under an invertible linear map of $M_{\mathbb{R}}$ induced by an isomorphism of M . Batyrev [Bat99] uses smooth reflexive polytopes to classify smooth toric Fano varieties:

Theorem 2.3. [Bat99, Theorem 2.2.4] *If P is an n -dimensional smooth reflexive polytope then X_P is an n -dimensional smooth toric Fano variety. Conversely, If X is an n -dimensional smooth toric Fano variety then there exists an n -dimensional smooth reflexive polytope P such that $X_P \cong X$. Moreover, if P_1 and P_2 are two smooth reflexive polytopes then $X_{P_1} \cong X_{P_2}$ if and only if P_1 and P_2 are lattice equivalent.*

We therefore refer to smooth reflexive lattice polytopes as *Fano polytopes* and as Batyrev observed, there are finitely many Fano polytopes up to lattice equivalence in each dimension [Bat82a]. There are five corresponding smooth toric Fano varieties in dimension 2 that were known classically, whilst Watanabe-Watanabe [WW82] and Batyrev [Bat82b] classified the

18 smooth toric Fano varieties in dimension 3. In dimension 4, Batyrev [Bat99] used primitive collections and relations to classify the Fano polytopes and Sato [Sat00] completed the classification using toric blowups, bringing the total number of 4-dimensional smooth toric Fano varieties to 124. Kreuzer and Nill [KN09] calculated that there are 866 5-dimensional Fano polytopes up to lattice equivalence, while Øbro [Øb07] presented an algorithm that has classified Fano polytopes in dimensions up to 9.

Sato [Sat00] records the birational geometry between the smooth toric Fano fourfolds by computing toric divisorial contractions in terms of the primitive relations for each variety. Figure 8.3 in Appendix A is a diagram of the divisorial contractions between the smooth toric Fano fourfolds. There are 29 maximal toric Fano fourfolds with regard to these divisorial contractions, and we call these varieties *birationally maximal*. A diagram showing the divisorial contractions between the smooth toric Fano threefolds can be found in [Oda88, page 92] [WW82].

Remark 2.4. The contraction from the variety K_2 to the variety H_{10} stated in [Sat00] should be a contraction from K_3 to H_{10} .

2.2. Full Strong Exceptional Collections and Tilting Objects. For a set of objects $\mathcal{S} = \{S_i\}$ in a triangulated category \mathcal{D} , define $\langle \mathcal{S} \rangle$ to be the smallest triangulated subcategory of \mathcal{D} containing \mathcal{S} , closed under isomorphisms, taking cones of morphisms and direct summands, and $\langle \mathcal{S} \rangle^\perp$ to be the full triangulated subcategory of \mathcal{D} containing objects \mathcal{F} such that $\text{Hom}(S, \mathcal{F}) = 0$ for all $S \in \mathcal{S}$.

Definition 2.5. For a set of objects $\mathcal{S} = \{S_i\}$ in \mathcal{D} ,

- (i) \mathcal{S} *classically generates* \mathcal{D} if $\langle \mathcal{S} \rangle = \mathcal{D}$,
- (ii) \mathcal{S} *generates* \mathcal{D} if $\langle \mathcal{S} \rangle^\perp = 0$.

Let $\mathcal{D}^b(X)$ be the bounded derived category of coherent sheaves on a variety X .

Definition 2.6.

- (i) An ordered set of objects $(\mathcal{E}_0, \dots, \mathcal{E}_r)$ in $\mathcal{D}^b(X)$ is a *strong exceptional collection* if $\text{Hom}(\mathcal{E}_k, \mathcal{E}_k) = \mathbb{C}$ for all $k \in \{0, \dots, r\}$ and

$$\text{Hom}^i(\mathcal{E}_k, \mathcal{E}_j) = 0 \text{ when } \begin{cases} k > j, & i = 0, \\ \forall k, j, & i \neq 0. \end{cases}$$

- (ii) A strong exceptional collection $(\mathcal{E}_0, \dots, \mathcal{E}_r)$ in $\mathcal{D}^b(X)$ is *full* if $\langle \mathcal{E}_0, \dots, \mathcal{E}_r \rangle = \mathcal{D}^b(X)$.

Remark 2.7. The distinction between classical generation and generation becomes irrelevant when using strong exceptional collections. To show that a strong exceptional collection

$(\mathcal{E}_0, \dots, \mathcal{E}_r)$ is full, it is enough to show that $\langle \mathcal{E}_0, \dots, \mathcal{E}_r \rangle^\perp = 0$ as observed by Bridgeland–Stern [BS10, Lemma C.1].

Given a full strong exceptional collection $(\mathcal{E}_1, \dots, \mathcal{E}_r)$ of non-isomorphic objects in $\mathcal{D}^b(X)$, its sum $\bigoplus \mathcal{E}_i$ is a *tilting object*:

Definition 2.8. An object \mathcal{T} in $\mathcal{D}^b(X)$ is a *tilting object* if $\mathrm{Hom}^i(\mathcal{T}, \mathcal{T}) = 0$ for $i \neq 0$ and $\langle \mathcal{T} \rangle = \mathcal{D}^b(X)$. If additionally \mathcal{T} is a sheaf or vector bundle, then it is called a *tilting sheaf* or *tilting bundle* respectively.

For a tilting object \mathcal{T} , let $A = \mathrm{End}(\mathcal{T})$ and $\mathcal{D}^b(A)$ be the bounded derived category of finitely generated right A -modules. It was shown by Baer [Bae88] and Bondal [Bon90] that in the case when X is a smooth projective variety, if the tilting object \mathcal{T} exists then we obtain an equivalence of categories

$$(2.8) \quad \mathbf{R}\mathrm{Hom}_X(\mathcal{T}, -): \mathcal{D}^b(X) \longrightarrow \mathcal{D}^b(A).$$

Note that when $\mathcal{T} = \bigoplus_0^r \mathcal{E}_i$ is the direct sum of a full strong exceptional collection, the Grothendieck group of X is isomorphic to a rank $r + 1$ lattice.

For two smooth projective varieties Y and Z , let $\mathcal{E} \in \mathcal{D}^b(Y)$ and $\mathcal{F} \in \mathcal{D}^b(Z)$. Define

$$\mathcal{E} \boxtimes^{\mathbf{L}} \mathcal{F} := \mathbf{L}p_1^*(\mathcal{E}) \otimes^{\mathbf{L}} \mathbf{L}p_2^*(\mathcal{F}) \in \mathcal{D}^b(Y \times Z)$$

where p_1 and p_2 are the natural projections of $Y \times Z$ onto its components.

Lemma 2.9. [Ueh14, Lemma 5.2] *Let Y and Z be as above. If $\mathcal{E} \in \mathcal{D}^b(Y)$ and $\mathcal{F} \in \mathcal{D}^b(Z)$ are tilting objects, then $\mathcal{E} \boxtimes^{\mathbf{L}} \mathcal{F}$ is a tilting object for $\mathcal{D}^b(Y \times Z)$.*

3. STRONG EXCEPTIONAL COLLECTIONS ON SMOOTH TORIC VARIETIES

The combinatorics of a toric variety X allow us to computationally determine whether a collection of line bundles on X is strong exceptional. We can then consider how these strong exceptional collections behave under torus-invariant divisorial contractions.

3.1. Non-vanishing Cohomology Cones. To check that a collection of effective line bundles $\{L_0 := \mathcal{O}_X, L_1, \dots, L_r\}$ on a smooth toric variety X is strong exceptional, one needs to check that $H^i(X, L_s^{-1} \otimes L_t) = \mathrm{Hom}^i(L_s, L_t) = 0$ for $i > 0$, $0 \leq s, t \leq r$. Eisenbud, Mustață and Stillman [EMS00] introduced a method to determine when the cohomology of a line bundle on X vanishes by considering if the line bundle avoids certain affine cones constructed in $\mathrm{Pic}(X)_{\mathbb{R}}$. We recall the construction of these non-vanishing cohomology cones below.

For a n -dimensional toric variety X with fan Σ , fix an enumeration I_Σ of $\Sigma(1)$ and for $I \subset I_\Sigma$, let Y_I be the union of the cones in Σ having all edges in the complement of I . Using reduced cohomology with coefficients in \mathbb{C} we have

$$(3.1) \quad H_{Y_I}^i(|\Sigma|) := H^i(|\Sigma|, |\Sigma| \setminus Y_I) = H^{i-1}(|\Sigma| \setminus Y_I),$$

where the last equality holds for $i > 0$ as $|\Sigma|$ is contractible.

An element of

$$(3.2) \quad H_\Sigma := \{I \subseteq I_\Sigma \mid H_{Y_I}^i(|\Sigma|) \neq \emptyset \text{ for some } i > 0\}$$

is called a *forbidden set*. Define

$$(3.3) \quad \mathbf{p}_I \in \mathbb{Z}^{\Sigma(1)}, \text{ where } (\mathbf{p}_I)_\rho = \begin{cases} -1 & \text{if } \rho \in I \\ 0 & \text{if } \rho \notin I \end{cases}$$

and

$$(3.4) \quad C_I = \left\{ \mathbf{x} = (x_\rho) \in \mathbb{Z}^{\Sigma(1)} \mid x_\rho \leq 0 \text{ if } \rho \in I, x_\rho \geq 0 \text{ if } \rho \notin I \right\}.$$

Setting $L_I := C_I + \mathbf{p}_I \subseteq \mathbb{Z}^{\Sigma(1)}$ we see that $L_I \subset C_I$ and $L_I = \{\mathbf{x} \in \mathbb{Z}^{\Sigma(1)} \mid \text{neg}(\mathbf{x}) = I\}$, where

$$(3.5) \quad \text{neg}: \mathbb{Z}^{\Sigma(1)} \rightarrow I_\Sigma, \quad \mathbf{x} = (x_\rho) \mapsto \begin{cases} \rho & \text{if } x_\rho < 0, \\ \emptyset & \text{else.} \end{cases}$$

For each $I \in H_\Sigma$, the image of L_I under the map deg is an affine cone $\beta \subset \text{Pic}(X)_\mathbb{R}$. If a rank one reflexive sheaf $\mathcal{O}_{X_\Sigma}(D)$ lies in β then [EMS00, Theorem 2.7] shows that

$$(3.6) \quad H^i(X, \mathcal{O}_X(D)) \neq \emptyset, \text{ for some } i > 0.$$

3.2. Cones Affected by Blow Ups. Assume that we have a chain of torus-invariant divisorial contractions $X := X_0 \rightarrow X_1 \rightarrow \dots \rightarrow X_t$ between smooth toric varieties and let $\mathcal{L} = \{L_0, L_1, \dots, L_r\}$ be a collection of non-isomorphic line bundles on X with corresponding vectors $\{v_0, \dots, v_r\}$ in $\text{Pic}(X)_\mathbb{R}$. By (2.7) we have maps between the Picard lattices

$$(3.7) \quad \text{Pic}(X_0) \xrightarrow{\gamma_1} \text{Pic}(X_1) \xrightarrow{\gamma_2} \dots \xrightarrow{\gamma_t} \text{Pic}(X_t).$$

For ease of notation we set:

- $\gamma_{(i \rightarrow j)}$ to be the composition of maps $\gamma_j \circ \gamma_{j-1} \circ \dots \circ \gamma_{i+1}$ for $0 \leq i < j \leq t$;
- \mathcal{L}_{X_k} to be the set of non-isomorphic line bundles on X_k in the image of $\gamma_{(0 \rightarrow k)}(\mathcal{L})$, for $1 \leq k \leq t$;
- $\mathfrak{C}_k \subset \text{Pic}(X_0)_\mathbb{R}$ to be the preimage of all non-vanishing cohomology cones for X_k under the map $\gamma_{(0 \rightarrow k)}$ for $1 \leq k \leq t$, and $\mathfrak{C}_0 \subset \text{Pic}(X_0)_\mathbb{R}$ to be the non-vanishing cohomology cones for X_0 .

By the construction of the sets \mathfrak{C}_k , we have the following result:

Lemma 3.1. *If*

$$v_i - v_j \notin \bigcup_{k=0}^t \mathfrak{C}_k$$

for all $0 \leq i, j \leq r$ then \mathcal{L} is strong exceptional on X and \mathcal{L}_{X_k} is strong exceptional on X_k , for $1 \leq k \leq t$.

It will be shown in this section that the preimage of the non-vanishing cohomology cones for X_k under $\gamma_{(0 \rightarrow k)}$ is closely related to the non-vanishing cohomology cones for X .

Lemma 3.2 (Forbidden sets duality). *Let $I \subsetneq I_\Sigma$ and set $I^\vee = I_\Sigma \setminus I$. If $I \in H_\Sigma$, then $I^\vee \in H_\Sigma$.*

Proof. It is enough to show that the line bundle corresponding to \mathbf{p}_{I^\vee} has non-vanishing higher cohomology. Let $D := \sum_{\rho \in \Sigma(1)} a_\rho D_\rho$ be the torus-invariant Weil divisor corresponding to $\mathbf{p}_I = (a_\rho)$. By assumption, $H^i(X, \mathcal{O}(D)) \neq \emptyset$ for some $0 < i < n$. By Serre duality and the fact that on a toric variety the canonical divisor is $K_X = -\sum_{\rho \in \Sigma(1)} D_\rho$,

$$(3.8) \quad \emptyset \neq H^i(X, \mathcal{O}(D))^\vee \cong H^{n-i}(X, \mathcal{O}(K_X - D)) = H^j(X, \mathcal{O}(\sum_{\rho \in \Sigma(1)} b_\rho D_\rho))$$

where $b_\rho = -1 - a_\rho$. But

$$(3.9) \quad a_\rho = \begin{cases} -1 & \text{if } \rho \in I \\ 0 & \text{if } \rho \notin I \end{cases} \Rightarrow b_\rho = \begin{cases} 0 & \text{if } \rho \in I \\ -1 & \text{if } \rho \notin I. \end{cases}$$

Therefore, $(b_\rho) = \mathbf{p}_{I^\vee}$ and as $H^j(X, \mathcal{O}(\sum_{\rho \in \Sigma(1)} b_\rho D_\rho)) \neq \emptyset$ for some $0 < j < n$, we have $I^\vee \in H_\Sigma$. \square

Remarks 3.3.

- (i) The cone in $\text{Pic}(X)_\mathbb{R}$ corresponding to $I = I_\Sigma \in H_\Sigma$ is the non-vanishing n^{th} -cohomology cone. Its dual $I^\vee = \emptyset$ gives the non-vanishing 0^{th} -cohomology cone. The chosen line bundles for a strong exceptional collection need to be effective but must have no higher cohomology, so for our purposes $\{\emptyset\} \notin H_\Sigma$ and the duality statement above does not hold for I_Σ .
- (ii) By Lemma 3.2, Y_I can be redefined as the union of the cones in Σ having all edges in I .

Continuing with the notation in (2.6), extend the enumeration I_Σ of $\Sigma(1)$ to $I_{\Sigma^*} := I \cup \{x\}$, an enumeration of the rays of $\Sigma^* := \Sigma_{\sigma, x}^*$. It is clear that for

$$(3.10) \quad C_\sigma := \bigcup_{\sigma \subseteq \tau \subseteq \Sigma} \tau$$

we have

$$(3.11) \quad |\Sigma \setminus C_\sigma| = |\Sigma^*| \bigcup_{\sigma \subseteq \tau} |\Sigma_\tau^*(\sigma)|$$

and so we only need to consider C_σ when determining how the cones of Σ change after the blow up of $\sigma \subset \Sigma$.

Lemma 3.4. *Let $\emptyset \neq I \subseteq I_\Sigma \setminus C_\sigma(1)$. Then $I \cup \{x\} \in H_{\Sigma^*}$.*

Proof. Firstly, assume for some $I \subset I_\Sigma$ that there exists a ray $\tau \subsetneq Y_I$ such that there is no cone $\sigma \subset Y_I$ with $\tau \subset \sigma$, and $\tau \cap \varsigma = \{0\}$ for all cones $\tau \neq \varsigma \subset Y_I$. By considering $Y_I \subset |\Sigma| \cong \mathbb{R}^n$, we can construct a loop around τ that is not contractible in $|\Sigma| \setminus Y_I$. Thus $I \in H_\Sigma$.

Now assume $\emptyset \neq I \subseteq I_\Sigma \setminus C_\sigma(1)$. By the construction of Σ^* we have $x \cap \varsigma = \{0\}$ for any cone $x \neq \varsigma \subset Y_{I \cup \{x\}}^*$ and there is not a cone $x \neq \sigma \subset Y_{I \cup \{x\}}^*$ that contains x , so $I \cup \{x\} \in H_{\Sigma^*}$ by the observation above. \square

By Lemma 3.2, $(I \cup \{x\})^\vee \in H_{\Sigma^*}$ for $\emptyset \neq I \subseteq I_\Sigma \setminus C_\sigma(1)$. But $(I \cup \{x\})^\vee = J \cup C_\sigma(1)$ for some $J \subsetneq I_\Sigma \setminus C_\sigma(1)$, so we have the corollary:

Corollary 3.5. *If $I \subsetneq I_\Sigma \setminus C_\sigma(1)$, then $I \cup C_\sigma(1) \in H_{\Sigma^*}$.*

Lemma 3.6. *If $I \in H_\Sigma$ and $I \cap C_\sigma(1) = \emptyset$ then $I, I \cup \{x\} \in H_{\Sigma^*}$.*

Proof. Let $I \in H_\Sigma$ such that $I \cap C_\sigma(1) = \emptyset$. By Lemma 3.4, $I \cup \{x\} \in H_{\Sigma^*}$. As $I \cap C_\sigma(1) = \emptyset$, then $Y_I^{\Sigma^*} = Y_I^\Sigma$ and $|\Sigma^*| = |\Sigma|$, so $H_{Y_I^{\Sigma^*}}^i(|\Sigma^*|) = H_{Y_I^\Sigma}^i(|\Sigma|)$ for all i . Thus $I \in H_{\Sigma^*}$. \square

Again by duality, we have the corollary:

Corollary 3.7. *If $I \in H_\Sigma$ is such that $C_\sigma(1) \subseteq I$, then $I, I \cup \{x\} \in H_{\Sigma^*}$.*

Lemma 3.8. *If $I \in H_\Sigma$ then either $I \in H_{\Sigma^*}$ or $I \cup \{x\} \in H_{\Sigma^*}$.*

Proof. We have shown that the statement holds if $I \cap C_\sigma(1) = \emptyset$ and dually if $C_\sigma(1) \subseteq I$. There are two other cases to consider: in both cases, let $I = I_1 \cup I_2$ for $I_1 \subseteq I_\Sigma \setminus C_\sigma(1)$ and $I_2 \subsetneq C_\sigma(1)$.

Case 1: $(\sigma(1) \not\subseteq I)$. Any subset $S \subseteq \tau(1)$ of any cone $\tau \subset \Sigma$ forms a cone in Σ as Σ is a smooth fan. From this and the fact that $\sigma(1), \{x\} \not\subseteq I$ we see that $Y_I^\Sigma = Y_I^{\Sigma^*}$ by the construction of Σ^* . Therefore $I \in H_\Sigma \Rightarrow I \in H_{\Sigma^*}$.

Case 2: $(\sigma(1) \subseteq I)$. By duality $I^\vee \in H_\Sigma$ and $I^\vee \cap \sigma(1) = \emptyset$, so $I^\vee \in H_{\Sigma^*}$ by Case 1. Applying duality again we have $I \cup \{x\} = (I^\vee)^\vee \in H_{\Sigma^*}$. \square

Remark 3.9. It is not always the case that $I \in H_\Sigma \Rightarrow I, I \cup \{x\} \in H_{\Sigma^*}$ (see Example 3.13).

Recalling the chain of linear maps (3.7), we have a simple description of the preimage in $\text{Pic}(X)_{\mathbb{R}}$ of non-vanishing cohomology cones for the variety X_t using non-vanishing cohomology cones for X . Let $\Lambda \subset \text{Pic}(X)_{\mathbb{R}}$ be a non-vanishing cohomology cone for X and $\{x_1, \dots, x_t\}$ be the rays in the fan Σ_X for X that label the exceptional divisors $\{E_1, \dots, E_t\}$ from the blow ups in (3.7). The list of exceptional divisors can be extended to give a basis $\{E_1, \dots, E_t, y_1, \dots, y_s\}$ of $\text{Pic}(X)_{\mathbb{R}}$. Let $I_E \subset I_{\Sigma_X}$ label the rays $\{x_1, \dots, x_t\}$. Using the non-vanishing cohomology cone construction from [EMS00], Λ is the image under deg of the cone L_I for some $I \subset I_{\Sigma_X}$, which we can decompose as $I = I_E^{\Lambda} \sqcup I^{\Lambda}$ for some $I_E^{\Lambda} \subset I_E, I^{\Lambda} \subset I_{\Sigma_X} \setminus I_E$. We write $(I_E^{\Lambda})^* := I_E \setminus I_E^{\Lambda}$.

Proposition 3.10. *Let Λ_t be a non-vanishing cohomology cone for the variety X_t in (3.7) and $\tilde{\Lambda}_t$ be its preimage under $\gamma_{(0 \rightarrow t)}$. Then there exists a non-vanishing cohomology cone Λ for X with forbidden set $I = I_E^{\Lambda} \sqcup I^{\Lambda}$ such that*

$$\tilde{\Lambda}_t \cap \text{Pic}(X) = \left(\text{deg}_X(L_{I_E^{\Lambda} \sqcup I^{\Lambda}}) \cup \text{deg}_X(L_{(I_E^{\Lambda})^* \sqcup I^{\Lambda}}) \right) \cap \text{Pic}(X)$$

Let Λ be defined by the intersection of closed half-spaces H_i in $\text{Pic}(X)_{\mathbb{R}}$ given by equations $a_1^i E_1 + \dots + a_t^i E_t + a_{t+1}^i y_1 + \dots + a_{t+s}^i y_s \leq a^i$ where $a_1^i, \dots, a_{t+s}^i, a^i \in \mathbb{R}$ are fixed and i is in an indexing set S . Then $\tilde{\Lambda}_t$ is the intersection of the closed half spaces $a_{t+1}^i y_1 + \dots + a_{t+s}^i y_s \leq a^i$, $i \in S$.

Proof. We first show the statement for the blowup $\varphi: X_{\Sigma_{\sigma,x}^*} \rightarrow X_{\Sigma}$ from (2.6). Let Λ_0 be a non-vanishing cone for X_{Σ} determined by the forbidden set $I \subset I_{\Sigma}$ and the cone L_I . By Lemma 3.8 there exists a non-vanishing cohomology cone Λ for $X_{\Sigma_{\sigma,x}^*}$ such that its defining forbidden set is either $I \cup x \subset I_{\Sigma_{\sigma,x}^*}$ or $I \subset I_{\Sigma_{\sigma,x}^*}$. The map β in (2.7) is just projection away from the coordinate corresponding to the exceptional divisor x and so the preimage of $(L_I \cap \mathbb{N}^{\Sigma(1)}) \subset \mathbb{R}^{\Sigma(1)}$ under β is $(L_I \cup L_{I \cup x}) \cap \mathbb{N}^{\Sigma_{\sigma,x}^*(1)} \subset \mathbb{R}^{\Sigma_{\sigma,x}^*(1)}$. As (2.7) is a commutative digram, the preimage of $\Lambda_0 \cap \text{Pic}(X)$ under γ is $(\text{deg}(L_I \cup L_{I \cup x})) \cap \text{Pic}(\Sigma_{\sigma,x}^*)$. By repeated application of Lemma 3.8, we obtain the required result for a chain of blowups (3.7). As $\{E_1, \dots, E_t\}$ can be extended to give a basis of $\text{Pic}(X)_{\mathbb{R}}$ in (3.7), the second statement of the proposition holds. \square

The simplicity of the preimage of non-vanishing cohomology cones under blowups can help explain why the following proposition holds. Recall that a smooth toric Fano fourfold X is called *birationally maximal* if there does not exist a smooth toric Fano fourfold X' with blowup $X' \rightarrow X$.

Proposition 3.11. *Let X be a birationally maximal smooth toric Fano fourfold and $r + 1 = \text{rank}(K_0(X))$. There exists a strong exceptional collection of line bundles $\mathcal{L} = \{L_0, \dots, L_r\}$ on*

X such that for every chain of torus-invariant divisorial contractions $X \rightarrow X_1 \rightarrow \dots \rightarrow X_t$ from Figure 8.3, the set of line bundles \mathcal{L}_{X_i} on X_i is strong exceptional, for $1 \leq i \leq t$. A database of these collections can be found in [PNb].

Proof. Given a maximal smooth toric Fano fourfold X and a chain of divisorial contractions between $\{X_0 := X, X_1, \dots, X_t\}$, we construct the preimage \mathfrak{C}_i in $\text{Pic}(X)_{\mathbb{R}}$ of the non-vanishing cohomology cones for each contraction X_i using the *QuiversToricVarieties* package [PN15]. A computer search then finds line bundles $\{L_0, L_1, \dots, L_r\}$ on X with corresponding vectors $\{v_0, \dots, v_r\}$ in $\text{Pic}(X)_{\mathbb{R}}$ such that $v_j - v_k$ avoids \mathfrak{C}_i for all $0 \leq j, k \leq r$ and $0 \leq i \leq t$. \square

Remarks 3.12.

- (i) The collections given in Proposition 3.11 are not necessarily the same collections given by Theorem 7.4. In particular, not all of them have been show to be full.
- (ii) If two toric varieties X_1 and X_2 have the same primitive collections, then they have the same forbidden sets up to a suitable ordering of the rays of Σ_{X_1} and Σ_{X_2} . It is therefore often the case that given a suitable basis of $\text{Pic}(X_1)_{\mathbb{R}}$ and $\text{Pic}(X_2)_{\mathbb{R}}$, if the line bundles corresponding to a list of integral points $\{v_i\}_{i \in I} \subset \mathbb{Z}^d \cong \text{Pic}(X_1)_{\mathbb{R}}$ is strong exceptional on X_1 , then the collection of line bundles corresponding to the same list $\{v_i\}_{i \in I} \subset \mathbb{Z}^d \cong \text{Pic}(X_2)_{\mathbb{R}}$ is strong exceptional on X_2 .

Example 3.13. The 10th smooth toric Fano variety $X := E_1$ has ray generators

$$u_0 = \begin{bmatrix} 1 \\ 0 \\ 0 \\ 0 \end{bmatrix}, u_1 = \begin{bmatrix} 0 \\ 1 \\ 0 \\ 0 \end{bmatrix}, u_2 = \begin{bmatrix} 0 \\ 0 \\ 1 \\ 0 \end{bmatrix}, u_3 = \begin{bmatrix} 0 \\ 0 \\ 0 \\ 1 \end{bmatrix}, u_4 = \begin{bmatrix} -1 \\ 0 \\ 0 \\ 0 \end{bmatrix}, u_5 = \begin{bmatrix} 3 \\ -1 \\ -1 \\ -1 \end{bmatrix}, u_6 = \begin{bmatrix} 2 \\ -1 \\ -1 \\ -1 \end{bmatrix}$$

for its fan Σ_X . The blowup $\phi: E_1 \rightarrow B_1$ between the 10th and the 1st smooth toric Fano fourfolds (see Figure 8.3) has the exceptional divisor $E = D_6$ labelled by the ray generator u_6 . Note that $Y := B_1$ has the fan Σ_Y with ray generators $\{u_0, \dots, u_5\}$. We take the corresponding divisors D_0, D_1, E to be a basis for $\text{Pic}(X)$, and the linear equivalences between the divisors for X are $D_1 \sim D_2 \sim D_3$, $D_4 \sim D_0 + 3D_1 - E$, $D_5 \sim D_1 - E$. The linear equivalences between the divisors for Y are $D'_1 \sim D'_2 \sim D'_3$, $D'_4 \sim D'_0 + 3D'_1$, $D'_5 \sim D'_1$. The forbidden sets for X are

Non-Vanishing i -th Cohomology Cones	Forbidden Sets
1	$\{0, 4\}, \{4, 5\}, \{0, 4, 5\}, \{0, 6\}, \{0, 4, 6\}$
2	
3	$\{1, 2, 3, 5\}, \{1, 2, 3, 4, 5\}, \{1, 2, 3, 6\}, \{0, 1, 2, 3, 6\}, \{1, 2, 3, 5, 6\}$
4	$\{0, 1, 2, 3, 4, 5, 6\}$

and the forbidden sets for Y are

Non-Vanishing i -th Cohomology Cones	Forbidden Sets
1	$\{0, 4\}$
2	
3	$\{1, 2, 3, 5\}$
4	$\{0, 1, 2, 3, 4, 5\}$

In this example we see that for the forbidden set $I \in \{\{0, 4\}, \{1, 2, 3, 5\}\}$ for Y , both I and $I \cup \{u_6\}$ are forbidden sets for X , whilst for the forbidden set $I = \{0, 1, 2, 3, 4, 5\}$ for Y , only $I \cup \{u_6\}$ is a forbidden set for X . Let $\gamma: \text{Pic}(X)_{\mathbb{R}} \rightarrow \text{Pic}(Y)_{\mathbb{R}}$ be the linear map defined in (2.7) and denote $\gamma^{-1}(C)$ for the preimage of a cone $C \subset \text{Pic}(Y)_{\mathbb{R}}$ under γ . Then

$$\gamma^{-1}(\text{deg}_Y(L_{\{0,4\}})) \cap \text{Pic}(X) = (\text{deg}_X(L_{\{0,4\}}) \cup \text{deg}_X(L_{\{0,4,6\}})) \cap \text{Pic}(X)$$

and

$$\gamma^{-1}(\text{deg}_Y(L_{\{1,2,3,5\}})) \cap \text{Pic}(X) = (\text{deg}_X(L_{\{1,2,3,5\}}) \cup \text{deg}_X(L_{\{1,2,3,5,6\}})) \cap \text{Pic}(X)$$

Thus for a strong exceptional collection of line bundles \mathcal{L} on X , only $\gamma^{-1}(\text{deg}_Y(L_{\{0,1,2,3,4,5\}}))$ provides a restriction for the distinct line bundles in the image of $\gamma(\mathcal{L})$ to be strong exceptional on Y . The cone $\text{deg}_X(L_{\{0,1,2,3,4,5,6\}})$ is given by the system of equations

$$\begin{cases} a_1 + 6a_2 + a_3 \leq -2 \\ a_2 + a_3 \leq -7 \\ a_3 \leq 1 \end{cases}, \begin{bmatrix} a_1 \\ a_2 \\ a_3 \end{bmatrix} \in \text{Pic}(X)_{\mathbb{R}}$$

in $\text{Pic}(X)$, whilst $\gamma^{-1}(\text{deg}_Y(L_{\{0,1,2,3,4,5\}}))$ is given by the system of equations

$$\begin{cases} a_1 + 6a_2 \leq -2 \\ a_2 \leq -7 \end{cases}, \begin{bmatrix} a_1 \\ a_2 \\ a_3 \end{bmatrix} \in \text{Pic}(X)_{\mathbb{R}}$$

as expected by Proposition 3.10.

4. GENERATION OF $\mathcal{D}^b(X)$: THE FROBENIUS MORPHISM (METHOD 1)

Let X be an n -dimensional smooth toric variety and \mathcal{L} a strong exceptional collection on X . We present two different methods to show that \mathcal{L} is full in this paper. The first method depends on the Frobenius morphism and follows Uehara's approach [Ueh14] to generation of the derived category by line bundles on the smooth toric Fano threefolds.

4.1. The Frobenius Morphism. Fix a positive integer m and define the m -th Frobenius map $F_m: X \rightarrow X$ to be the morphism that is the identity on the underlying topological space but which takes a section $s \in \mathcal{O}_X$ to $s^{\otimes m}$. Thomsen [Tho00] shows that for a line bundle L on X , $(F_m)_*(L)$ splits into a finite direct sum of line bundles. He provides an algorithm to compute these line bundles, which is detailed below.

Let Σ be the fan for X and set $d := |\Sigma(1)|$. From (2.3), a vector $\mathbf{w} \in \mathbb{Z}^d$ determines the line bundle $L = \mathcal{O}_X(\sum w_i D_i)$. To compute $(F_m)_*(L)$, fix a maximal cone $\sigma = \text{cone}(\rho_{i_1}, \dots, \rho_{i_n}) \subset \Sigma$ and set

$$(4.1) \quad P_m^p := \{\mathbf{v} \in \mathbb{Z}^p \mid 0 \leq v_i < m\}.$$

Define $A = (\mathbf{a}_1, \dots, \mathbf{a}_d)^t \in M(d, n)$ to be the matrix whose rows are the ray generators $\mathbf{a}_i := u_{\rho_i}$ in Σ . As σ is maximal and Σ is smooth, we have $\sigma(1) = \{\rho_{i_1}, \dots, \rho_{i_n}\}$ and the corresponding matrix $A_\sigma := (\mathbf{a}_{i_1}, \dots, \mathbf{a}_{i_n})^t \in M(n, n)$ is invertible. Define the restriction \mathbf{w} to σ as $\mathbf{w}_\sigma := (w_{i_1}, \dots, w_{i_n})^t \in \mathbb{Z}^n$. For $\mathbf{v} \in P_m^n$, the vectors $\mathbf{q}^m(\mathbf{v}, \mathbf{w}, \sigma) \in \mathbb{Z}^d$ and $\mathbf{r}^m(\mathbf{v}, \mathbf{w}, \sigma) \in P_m^d$ are uniquely determined by the equation

$$(4.2) \quad AA_\sigma^{-1}(\mathbf{v} - \mathbf{w}_\sigma) + \mathbf{w} = m\mathbf{q}^m(\mathbf{v}, \mathbf{w}, \sigma) + \mathbf{r}^m(\mathbf{v}, \mathbf{w}, \sigma).$$

Finally, define the Weil divisor $D_{\mathbf{v}, \mathbf{w}, \sigma}^m := \sum q_i^m(\mathbf{v}, \mathbf{w}, \sigma) D_i$.

Lemma 4.1. [Tho00, Theorem 1] *The Frobenius push-forward of $L = \mathcal{O}_X(\sum w_i D_i)$ is*

$$(4.3) \quad (F_m)_*(L) = \bigoplus_{\mathbf{v} \in P_m^n} \mathcal{O}_X(D_{\mathbf{v}, \mathbf{w}, \sigma}^m).$$

Thomsen [Tho00] also observes that $(F_m)_*(L)$ does not depend on the choice of the maximal cone σ . We can assume the primitive ray generators of σ forms the standard basis of \mathbb{Z}^n , in which case

$$(4.4) \quad q_i^m(\mathbf{v}, \mathbf{w}) = \lfloor \frac{u_{\rho_i}^t(\mathbf{v} - \mathbf{w}_\sigma) - w_i}{m} \rfloor$$

where $\lfloor x \rfloor \in \mathbb{Z}$ is the round-down $x - 1 < \lfloor x \rfloor \leq x$. Set

$$(4.5) \quad \mathfrak{D}(D)_m := \{L \in \text{Pic}(X) \mid L \text{ is a direct summand of } (F_m)_*(\mathcal{O}_X(D))\}.$$

Thomsen [Tho00, Proposition 1] shows that the set

$$(4.6) \quad \mathfrak{D}(D) := \bigcup_{m>0} \mathfrak{D}(D)_m,$$

is finite. For brevity, we denote $\mathfrak{D}_m := \mathfrak{D}(0)_m$, the set of line bundles in $(F_m)_*(\mathcal{O}_X)$. Note that we can use \mathfrak{D}_m to find strong exceptional collections of line bundles on X :

Lemma 4.2. [Ueh14, Lemma 3.8(i)] *For any fixed positive integer m , the set of line bundles $\{L \in \mathfrak{D}_m \mid L^{-1} \text{ is nef}\} \subseteq \mathfrak{D}_m$ is a strong exceptional collection on X .*

4.2. Method 1. We can use the Frobenius morphism to find sets of line bundles that generate $\mathcal{D}^b(X)$.

Lemma 4.3. [Ueh14, Lemma 5.1] *Let $f: X \rightarrow Y$ be a proper morphism between smooth varieties. Assume that \mathcal{E} generates $\mathcal{D}^b(X)$ and \mathcal{O}_Y is a direct summand of $\mathbb{R}f_*\mathcal{O}_X$. Then $\mathbb{R}f_*\mathcal{E}$ generates $\mathcal{D}^b(Y)$.*

Proposition 4.4. *Let X be a smooth toric Fano variety of dimension n and \mathcal{L} be a strong exceptional collection of line bundles on X . If the set of line bundles*

$$(4.7) \quad \mathfrak{D}_m^{gen} := \bigcup_{0 \leq i \leq n} \mathfrak{D}_m(\omega_X^{-i})$$

is contained in $\langle \mathcal{L} \rangle$ for some positive integer m , then \mathcal{L} generates $\mathcal{D}^b(X)$.

Proof. As X is Fano, the anticanonical bundle ω_X^{-1} is ample and so a result by Van den Bergh [VdB04, Lemma 3.2.2] implies that $\bigoplus_{i=0}^n \omega_X^{-i}$ is a generator for $\mathcal{D}^b(X)$. The Frobenius morphism F_m is proper so $\bigcup_{0 \leq i \leq n} \mathfrak{D}_m(\omega_X^{-i})$ generates $\mathcal{D}^b(X)$ by Lemma 4.3. \square

To show that $\mathfrak{D}_m^{gen} \subset \langle \mathcal{L} \rangle$ for some $m > 0$, we use exact sequences of line bundles to generate objects in $\langle \mathcal{L} \rangle$; for examples of these calculations on the toric Fano threefolds see [Ueh14] or [BT09]. This process is easier when the line bundles in \mathfrak{D}_m^{gen} are close together in $\text{Pic}(X)$, which occurs when the value of m is large. However, the larger the value of m , the longer it takes to compute \mathfrak{D}_m^{gen} , so in practice m is often chosen by trial and error.

Example 4.5. We use *Method 1* to show that a given collection of line bundles generates $\mathcal{D}^b(X)$ when X is I_1 , the 61st smooth toric Fano fourfold. The variety X has ray generators

$$u_0 = \begin{bmatrix} 1 \\ 0 \\ 0 \\ 0 \end{bmatrix}, u_1 = \begin{bmatrix} 0 \\ 1 \\ 0 \\ 0 \end{bmatrix}, u_2 = \begin{bmatrix} 0 \\ 0 \\ 1 \\ 0 \end{bmatrix}, u_3 = \begin{bmatrix} 0 \\ 0 \\ 0 \\ 1 \end{bmatrix}, u_4 = \begin{bmatrix} 0 \\ -1 \\ 1 \\ 0 \end{bmatrix}, u_5 = \begin{bmatrix} 2 \\ 0 \\ -1 \\ -1 \end{bmatrix}, u_6 = \begin{bmatrix} -1 \\ 0 \\ 0 \\ 0 \end{bmatrix}, u_7 = \begin{bmatrix} -1 \\ 0 \\ 1 \\ 0 \end{bmatrix}$$

and the linear equivalences between the toric divisors are $D_0 \sim -2D_5 + D_6 + D_7$, $D_1 \sim D_4$, $D_2 \sim -D_4 + D_5 - D_7$, $D_3 \sim D_5$. Set $m = 10$ and let $\mathbf{v} = \begin{bmatrix} x \\ y \\ z \\ w \end{bmatrix} \in P_m^4$. The anticanonical

divisor $-K_X$ is equal to $\sum_{i \in \Sigma(1)} D_i$, so in order to calculate $\mathfrak{D}_m(\omega_X^{-1})$ we set $\mathbf{w} = \begin{bmatrix} 1 \\ \vdots \\ 1 \end{bmatrix} \in \mathbb{Z}^8$.

By (4.4), the solution to

$$\mathbf{q}^m(\mathbf{v}, \mathbf{w}) = \begin{bmatrix} \lfloor \frac{(x-1)+1}{m} \rfloor \\ \lfloor \frac{(y-1)+1}{m} \rfloor \\ \lfloor \frac{(z-1)+1}{m} \rfloor \\ \lfloor \frac{(w-1)+1}{m} \rfloor \\ \lfloor \frac{(-y+z)+1}{m} \rfloor \\ \lfloor \frac{(2x-z-w)+1}{m} \rfloor \\ \lfloor \frac{(-x+1)+1}{m} \rfloor \\ \lfloor \frac{(-x+z)+1}{m} \rfloor \end{bmatrix} = \begin{bmatrix} 0 \\ 0 \\ 0 \\ 0 \\ \lfloor \frac{-y+z+1}{m} \rfloor \\ \lfloor \frac{2x-z-w+1}{m} \rfloor \\ \lfloor \frac{-x+2}{m} \rfloor \\ \lfloor \frac{-x+z+1}{m} \rfloor \end{bmatrix}$$

for $\mathbf{v} \in P_m^4$ is an element of $\mathfrak{D}(\omega^{-1})_m$ and similarly we can calculate $\mathfrak{D}(\omega^{-i})_m$ by determining $\mathbf{q}^m(\mathbf{v}, i\mathbf{w})$, for $0 \leq i \leq 4$. It follows that $|\mathfrak{D}_m| = 18$, $|\mathfrak{D}(\omega^{-1})_m| = 18$ and $|\mathfrak{D}_m^{gen}| = 46$. For each line bundle L in the collection

$$\mathcal{L} = \left\{ \begin{array}{l} \mathcal{O}_X(-iD_4 - jD_5 - kD_6), \mathcal{O}_X(-D_6 - D_7), \mathcal{O}_X(-D_4 - D_6 - D_7), \\ \mathcal{O}_X(-D_5 - D_6 - D_7), \mathcal{O}_X(-D_4 - D_5 - D_6 - D_7) \end{array} \middle| i, j, k = 0, 1 \right\} \subset \mathfrak{D}_m,$$

L^{-1} is nef, so \mathcal{L} is a strong exceptional collection by Lemma 4.2. A list of rays $\{\rho_{i_1}, \dots, \rho_{i_j}\}$ forms a cone in Σ if and only if $D_{i_1} \cap \dots \cap D_{i_j} \neq \emptyset$, so we can use the primitive collections of X to determine which divisors do not intersect. For example, the primitive collection $\{u_0, u_7\}$ for X implies that $D_0 \cap D_7 = \emptyset$ and so we obtain the exact sequence

$$0 \rightarrow \mathcal{O}_X(-D_0 - D_7) \rightarrow \mathcal{O}_X(-D_0) \oplus \mathcal{O}_X(-D_7) \rightarrow \mathcal{O}_X \rightarrow 0.$$

Using the basis $\{D_4, D_5, D_6, D_7\}$ for $\text{Pic}(X)$, rewrite the exact sequence as

$$(4.8) \quad 0 \rightarrow \mathcal{O}_X(2D_5 - D_6 - 2D_7) \rightarrow \mathcal{O}_X(2D_5 - D_6 - D_7) \oplus \mathcal{O}_X(-D_7) \rightarrow \mathcal{O}_X \rightarrow 0.$$

We can use the exact sequences determined by the primitive collections to show that $\mathfrak{D}_m^{gen} \subset \langle \mathcal{L} \rangle$. For example, the tensor of $\mathcal{O}_X(-2D_5 + D_7) \in \mathfrak{D}_m^{gen} \setminus \mathcal{L}$ with (4.8) gives the exact sequence

$$(4.9) \quad 0 \rightarrow \mathcal{O}_X(-D_6 - D_7) \rightarrow \mathcal{O}_X(-D_6) \oplus \mathcal{O}_X(-2D_5) \rightarrow \mathcal{O}_X(-2D_5 + D_7) \rightarrow 0.$$

All of the line bundles in (4.9) except $\mathcal{O}_X(-2D_5 + D_7)$ are in $\langle \mathcal{L} \rangle$, hence so is $\mathcal{O}_X(-2D_5 + D_7)$. By the same method and using the exact sequences of line bundles determined by the primitive collections for X , every line bundle in \mathfrak{D}_{gen} is contained in $\langle \mathcal{L} \rangle$ and so \mathcal{L} is full by Proposition 4.4.

5. QUIVER MODULI AND THE STRUCTURE SHEAF OF THE DIAGONAL

Let X be a smooth toric variety and $\mathcal{L} = \{L_0, \dots, L_r\}$ be a collection of line bundles on X . In this section we use the *quiver of sections* to encode the endomorphism algebra $A = \text{End}(\bigoplus_{i=0}^r L_i)$. We also introduce the map d_1 between certain vector bundles on $X \times X$

and give conditions as to when the cokernel of d_1 is the structure sheaf \mathcal{O}_Δ of the diagonal embedding into $X \times X$.

5.1. Quivers of Sections and Moduli Spaces of Quiver Representations. A quiver Q consists of a vertex set Q_0 , an arrow set Q_1 and maps $\mathbf{h}, \mathbf{t}: Q_1 \rightarrow Q_0$ giving the vertices at the head and tail of each arrow. We assume that Q is connected, acyclic and rooted at a unique source. A non-trivial path in Q is a sequence of arrows $p = a_1 \dots a_k$ such that $\mathbf{h}(a_i) = \mathbf{t}(a_{i+1})$ for $1 \leq i \leq k-1$, in which case $\mathbf{t}(p) := \mathbf{t}(a_1)$, $\mathbf{h}(p) := \mathbf{h}(a_k)$ and $\text{supp}(p) = \{a_1, \dots, a_k\}$. Each vertex $i \in Q_0$ gives a trivial path e_i with $\mathbf{h}(e_i) = \mathbf{t}(e_i) = i$. By taking the paths as a generating set and defining multiplication to be concatenation of paths when possible and zero otherwise, we obtain the path algebra $\mathbb{C}Q$. If J is a two-sided ideal of relations in $\mathbb{C}Q$ then we obtain the quotient algebra $\mathbb{C}Q/J$, and we will use the notation (Q, J) when we are considering the quiver with relations.

A *representation* W of a quiver Q assigns a \mathbb{C} -vector space W_i to each vertex $i \in Q_0$ and a \mathbb{C} -linear map $w_a: W_{\mathbf{t}(a)} \rightarrow W_{\mathbf{h}(a)}$ to each arrow $a \in Q_1$. We will assume that the dimension of every vector space W_i is equal to 1 and so the *dimension vector* is $\mathbf{v} := (1, \dots, 1)^t \in \mathbb{Z}^{Q_0}$. A morphism ϕ between two representations W and V is a collection of \mathbb{C} -linear maps $\phi_i: W_i \rightarrow V_i$ such that for any arrow $a \in Q_1$, the following square commutes:

$$(5.1) \quad \begin{array}{ccc} W_{\mathbf{t}(a)} & \xrightarrow{w_a} & W_{\mathbf{h}(a)} \\ \phi_{\mathbf{t}(a)} \downarrow & & \downarrow \phi_{\mathbf{h}(a)} \\ V_{\mathbf{t}(a)} & \xrightarrow{v_a} & V_{\mathbf{h}(a)} \end{array}$$

For the quiver with relations (Q, J) , we can consider representations of Q that respect the relations in J . More precisely, a representation of (Q, J) is a representation W of Q such that for any two paths $p_1 = a_1 a_2 \dots a_t$, $p_2 = b_1 b_2 \dots b_s$ in Q with $p_1 - p_2 \in J$, we have

$$w_{a_t} \circ \dots \circ w_{a_2} \circ w_{a_1} = w_{b_s} \circ \dots \circ w_{b_2} \circ w_{b_1}.$$

Define $\text{Wt}(Q) := \{\theta \in (\mathbb{Z}^{Q_0})^\vee \mid \theta(\mathbf{v}) = 0\}$ to be the *weight space* for Q . Each $\theta \in \text{Wt}(Q)$ determines a stability parameter, where a representation W is θ -(semi)stable if for every non-zero proper subrepresentation $W' \subset W$ we have $\theta(W') := \sum_{\{i \mid W'_i \neq 0\}} \theta_i > (\geq) 0$. A parameter θ is *generic* if every θ -semistable representation is θ -stable. In particular, the *special parameter* $\vartheta := (-r, 1, 1, \dots, 1)$ is generic, where $r = |Q_0| - 1$. A generic stability parameter θ can then be used to construct the *fine moduli space of θ -stable representations* $\mathcal{M}_\theta(Q)$, as introduced by King [Kin94]. The space $\mathcal{M}_\theta(Q)$ is a projective variety as Q is acyclic [Kin94, Proposition 4.3] and Hille [Hil98, Section 1.3] has shown that $\mathcal{M}_\theta(Q)$ is a smooth toric variety due to our choice of dimension vector \mathbf{v} . To construct $\mathcal{M}_\theta(Q)$ explicitly, let the characteristic functions $\chi_i: Q_0 \rightarrow \mathbb{Z}$ for $i \in Q_0$ and $\chi_a: Q_1 \rightarrow \mathbb{Z}$ for $a \in Q_1$ form bases for \mathbb{Z}^{Q_0} and \mathbb{Z}^{Q_1} respectively.

The incidence map $\text{inc}: \mathbb{Z}^{Q_1} \rightarrow \mathbb{Z}^{Q_0}$ defined by $\text{inc}(\chi_a) = \chi_{\mathbf{h}(a)} - \chi_{\mathbf{t}(a)}$ determines the exact sequence

$$(5.2) \quad 0 \longrightarrow \tilde{M} \longrightarrow \mathbb{Z}^{Q_1} \xrightarrow{\text{inc}} \text{Wt}(Q) \longrightarrow 0.$$

For a fixed generic stability parameter $\theta \in \text{Wt}(Q)$, let $\mathbb{C}[y_a \mid a \in Q_1]_\theta = \mathbb{C}[\mathbb{N}^{Q_1} \cap \text{inc}^{-1}(\theta)]$ denote the θ -graded piece. Then $\mathcal{M}_\theta(Q)$ is the GIT quotient

$$(5.3) \quad \mathcal{M}_\theta(Q) = \mathbb{C}^{Q_1} //_\theta T = \text{Proj} \left(\bigoplus_{j \geq 0} \mathbb{C}[y_a \mid a \in Q_1]_{j\theta} \right)$$

where the action of $T := \text{Hom}_{\mathbb{Z}}(\text{Wt}(Q), \mathbb{C}^*)$ is induced from the action of $(\mathbb{C}^*)^{Q_0} \cong \prod_{i \in Q_0} \text{GL}(W_i)$ on \mathbb{C}^{Q_1} determined by the incidence map. By choosing a group isomorphism between T and $\{(g_1, \dots, g_k) \in (\mathbb{C}^*)^{Q_0} \mid g_0 = 1\}$ we obtain a T -equivariant vector bundle $\bigoplus_{i \in Q_0} \mathcal{O}_{\mathbb{C}^{Q_1}}$ on \mathbb{C}^{Q_1} which descends to the universal family $\bigoplus_{i \in Q_0} F_i$ on $\mathcal{M}_\theta(Q)$ [Kin94, Proposition 5.3]. The summands F_i are called the *tautological line bundles* on $\mathcal{M}_\theta(Q)$ and F_0 is the trivial line bundle, where $0 \in Q_0$ labels the source of Q , as T acts trivially on the summand given by $i = 0$ in $\bigoplus_{i \in Q_0} \mathcal{O}_{\mathbb{C}^{Q_1}}$. The dimension of $\mathcal{M}_\theta(Q)$ is $|Q_1| - |Q_0| + 1$ and $\text{Pic}(\mathcal{M}_\theta(Q)) \cong \text{Wt}(Q)$ [Hil98, Theorem 2.3].

If we are considering a quiver with ideal of relations J , we denote the fine moduli space of θ -stable representations of Q that respect the relations in J by $\mathcal{M}_\theta(Q, J)$. By sending a path $p = a_1 \dots a_k$ to the monomial $y_{a_1} \dots y_{a_k} \in \mathbb{C}[y_a \mid a \in Q_1]$ and extending linearly, we obtain a \mathbb{C} -linear map from $\mathbb{C}Q$ to $\mathbb{C}[y_a \mid a \in Q_1]$. We let I_J be the ideal in $\mathbb{C}[y_a \mid a \in Q_1]$ generated by the image of J under this map, in which case $\mathcal{M}_\theta(Q, J)$ is given by the GIT quotient

$$(5.4) \quad \mathcal{M}_\theta(Q, J) = \mathbb{V}(I_J) //_\theta T = \text{Proj} \left(\bigoplus_{j \geq 0} (\mathbb{C}[y_a \mid a \in Q_1] / I_J)_{j\theta} \right).$$

Let $\mathcal{L} = \{L_0, \dots, L_r\}$ be a collection of non-isomorphic effective line bundles on a projective toric variety X with $L_0 := \mathcal{O}_X$. As X is projective, if $\text{Hom}(L_i, L_j) \neq 0$ then $\text{Hom}(L_j, L_i) = 0$ and so we can assume \mathcal{L} is ordered such that $i < j$ when $\text{Hom}(L_i, L_j) \neq 0$. The endomorphism algebra $\text{End}(\bigoplus_i L_i)$ can be conveniently described by its *quiver of sections* Q , whose vertices $Q_0 = \{0, \dots, r\}$ are the line bundles in \mathcal{L} and the number of arrows from vertex i to j for $i < j$ is given by the dimension of the cokernel of the map

$$(5.5) \quad \bigoplus_{i < k < j} \text{Hom}(L_i, L_k) \otimes \text{Hom}(L_k, L_j) \longrightarrow \text{Hom}(L_i, L_j).$$

A torus-invariant section $s \in \text{Hom}(L_i, L_j)$ is *irreducible* if it lies in this cokernel. Each section in a basis of the irreducible sections determines a divisor of zeroes, and these divisors label the arrows between vertex i and j ; we therefore denote $\text{div}(a)$ for the divisor that labels the

arrow $a \in Q_1$, and $\text{div}(p) := \sum_{a \in \text{supp}(p)} \text{div}(a)$ for a path p . The corresponding labelling monomial is $x^{\text{div}(p)} := \prod_{a \in \text{supp}(p)} x^{\text{div}(a)} \in \mathbb{C}[x_\rho \mid \rho \in \Sigma(1)]$. Note that the quiver is acyclic and as the collection is effective, the quiver is connected and rooted at 0. The arrow labels determine the two-sided ideal of relations J , generated by the set

$$(5.6) \quad \{p_i - p_j \mid p_i, p_j \text{ paths in } Q, \mathbf{t}(p_i) = \mathbf{t}(p_j), \mathbf{h}(p_i) = \mathbf{h}(p_j), \text{div}(p_i) = \text{div}(p_j)\}.$$

Lemma 5.1. [CS08, Proposition 3.3] *Let Q be the quiver of sections for the collection \mathcal{L} above, with ideal of relations J . Then $\mathbb{C}Q/J \cong \text{End}(\bigoplus_i L_i)$.*

Each line bundle L_i is equal to $\mathcal{O}_X(D'_i)$ for some Cartier divisor D'_i and we can construct Q explicitly by computing the vertices of the polyhedron $\text{conv}(\mathbb{N}^d \cap \text{deg}^{-1}(D'_i - D'_j))$ for each $i \neq j \in Q_0$. The vertices correspond to the torus-invariant generators of $\text{Hom}(L_i, L_j)$, from which we pick the irreducible sections.

Example 5.2. Let X be the smooth toric Fano fourfold E_1 in Example 3.13 and fix $m \gg 0$. Choose $\{D_4, D_5, D_6\}$ to be the basis of $\text{Pic}(X)$; the exact sequence (2.3) for X is

$$0 \longrightarrow M \xrightarrow{\begin{bmatrix} 1 & 0 & 0 & 0 \\ 0 & 1 & 0 & 0 \\ 0 & 0 & 1 & 0 \\ 0 & 0 & 0 & 1 \\ -1 & 0 & 0 & 0 \\ 3 & -1 & -1 & -1 \\ 2 & -1 & -1 & -1 \end{bmatrix}} \mathbb{Z}^7 \xrightarrow{\begin{bmatrix} 1 & 0 & 0 & 0 & 1 & 0 & 0 \\ -3 & 1 & 1 & 1 & 0 & 1 & 0 \\ -2 & 1 & 1 & 1 & 0 & 0 & 1 \end{bmatrix}} \text{Pic}(X) \longrightarrow 0.$$

Every line bundle L_i in the collection

$$\mathcal{L} = \{\mathcal{O}_X(iD_5 + iD_6), \mathcal{O}_X(D_4 + iD_5 + iD_6), \mathcal{O}_X(D_4 + jD_5 + (j+1)D_6) \mid 0 \leq i \leq 3, 0 \leq j \leq 2\}$$

is nef and $L_i^{-1} \in \mathfrak{D}_m$, so \mathcal{L} is a strong exceptional collection by Lemma 4.2. The quiver of sections Q for this collection is given in Fig. 1.

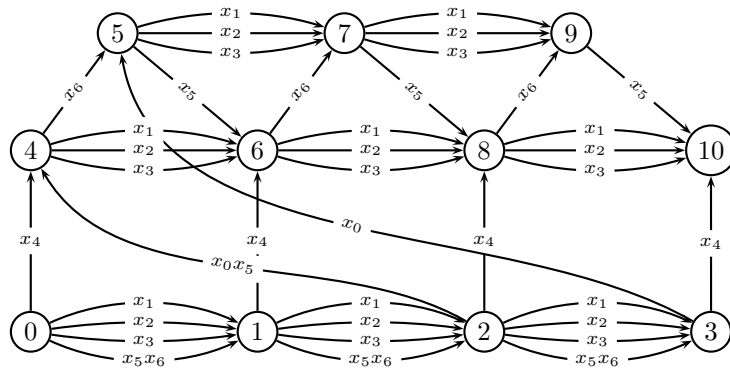


FIGURE 1. A quiver of sections on the smooth toric Fano fourfold E_1

5.2. Quiver Moduli and the Structure Sheaf of the Diagonal. Let $\iota: \Delta \hookrightarrow X \times X$ be the diagonal embedding and for two line bundles L_1 and L_2 on X define

$$L_1 \boxtimes L_2 := p_1^*(L_1) \otimes p_2^*(L_2)$$

where p_1 and p_2 are the projections from $X \times X$ onto the first and second component respectively. We define the map d_1 of vector bundles on $X \times X$ as follows. Let d_1 have domain and codomain:

$$(5.7) \quad d_1: \bigoplus_{a \in Q_1} L_{\mathbf{t}(a)} \boxtimes L_{\mathbf{h}(a)}^{-1} \longrightarrow \bigoplus_{i \in Q_0} L_i \boxtimes L_i^{-1}.$$

The summands of the vector bundles are line bundles and so are given by twists of the $\text{Pic}(X \times X)$ -graded module $S_{X \times X}$. We write $S_{X \times X} = \mathbb{C}[x_1, \dots, x_d, w_1, \dots, w_d]$ where $d = |\Sigma_X(1)|$ to distinguish sections x_i on the first copy of X in $X \times X$ from sections w_i on the second copy. For line bundles L_i and L_j on X , denote $S_{X \times X}(L_i, L_j)$ to be the free $S_{X \times X}$ -module generated by \mathbf{e}_{L_i, L_j} corresponding to the line bundle $L_i \boxtimes L_j$ on $X \times X$ by (2.4). Then our map d_1 sends

$$S_{X \times X}(L_{\mathbf{t}(a)}, L_{\mathbf{h}(a)}^{-1}) \rightarrow S_{X \times X}(L_{\mathbf{h}(a)}, L_{\mathbf{h}(a)}^{-1}) \oplus S_{X \times X}(L_{\mathbf{t}(a)}, L_{\mathbf{t}(a)}^{-1})$$

$$\mathbf{e}_{L_{\mathbf{t}(a)}, L_{\mathbf{h}(a)}^{-1}} \mapsto x^{\text{div}(a)} \mathbf{e}_{L_{\mathbf{h}(a)}, L_{\mathbf{h}(a)}^{-1}} - w^{\text{div}(a)} \mathbf{e}_{L_{\mathbf{t}(a)}, L_{\mathbf{t}(a)}^{-1}}.$$

The following proposition provides a condition as to when the cokernel of d_1 is \mathcal{O}_Δ . Note that our choice of θ in the proposition will depend on our collection \mathcal{L} , as explained in the following subsection.

Proposition 5.3. *Suppose that there exists a generic stability parameter θ and a closed immersion $\phi: X \hookrightarrow \mathcal{M}_\theta(Q, J)$ such that $L_i \cong \phi^*(F_i)$ for $0 \leq i \leq r$. Then the cokernel of d_1 in (5.7) is \mathcal{O}_Δ .*

Proof. Assume that θ and ϕ satisfy the conditions in the proposition. For the opposite quiver with relations (Q^{op}, J^{op}) , the stability parameter $-\theta$ is generic and $\mathcal{M}_\theta(Q, J) \cong \mathcal{M}_{-\theta}(Q^{op}, J^{op})$. In addition, we have a closed immersion of X into $\mathcal{M}_{-\theta}(Q^{op}, J^{op})$ such that the tautological line bundles on $\mathcal{M}_{-\theta}(Q^{op}, J^{op})$ restrict to the line bundles L_i^{-1} on X . A θ -stable representation $W = (W_i, \psi_i)$ of (Q, J) determines a $(-\theta)$ -stable representation $W^* = (W_i^*, \psi_i^*)$ of (Q^{op}, J^{op}) and so for a point $(x_1, x_2) \in X \times X \hookrightarrow \mathcal{M}_\theta(Q, J) \times \mathcal{M}_{-\theta}(Q^{op}, J^{op})$, x_1 parametrises a isomorphism class of a θ -stable representation $V := (V_i, \phi_i)$, whilst x_2 parametrises the isomorphism class of a $(-\theta)$ -stable representation W^* . Therefore, the map d_1 of vector bundles on $X \times X$ from (5.7) restricted to a point $(x_1, x_2) \in X \times X$ is given by

$$D: \bigoplus_{a \in Q_1} V_{\mathbf{t}(a)} \otimes W_{\mathbf{h}(a)}^* \longrightarrow \bigoplus_{i \in Q_0} V_i \otimes W_i^*.$$

The map D is dual to the map:

$$(5.8) \quad D^*: \bigoplus_{i \in Q_0} \mathrm{Hom}_{\mathbb{C}}(V_i, W_i) \longrightarrow \bigoplus_{a \in Q_1} \mathrm{Hom}_{\mathbb{C}}(V_{\mathbf{t}(a)}, W_{\mathbf{h}(a)})$$

given by $(\beta_i) \mapsto (\beta_{\mathbf{h}(a)}\phi_a - \psi_a\beta_{\mathbf{t}(a)})$. The kernel $\ker(D^*)$ of this map is precisely the morphisms from V to W . As V and W are θ -stable, we have $\theta(V) = \theta(W) = 0$. If f is a morphism in $\ker(D^*)$ then the image $\mathrm{im}(f)$ of f is a quotient of V , hence $\theta(\mathrm{im}(f)) \leq 0$. However, $\mathrm{im}(f)$ also injects into W implying that $\theta(\mathrm{im}(f)) \geq 0$, so $\theta(\mathrm{im}(f)) = 0$. Therefore, f is either an isomorphism or the zero morphism. It follows that when $W = V$, the kernel of D^* is canonically a copy of \mathbb{C} . Using this observation, we see that away from the diagonal of $X \times X$ the cokernel of d_1 is rank zero as the representations V and W are not isomorphic, whilst at each point on the diagonal the cokernel restricts to a canonical copy of \mathbb{C} . Therefore the cokernel of d_1 is \mathcal{O}_{Δ} . □

5.3. Nef And Non-Nef Collections. Our choice of the generic stability parameter used in Proposition 5.3 will depend on whether our chosen line bundles are nef or not. Firstly, assume that \mathcal{L} is a collection of nef line bundles on X and recall the special stability parameter $\vartheta = (-r, 1, 1, \dots, 1)$. Craw and Smith [CS08] associate to Q a projective toric variety $|\mathcal{L}| \cong \mathcal{M}_{\vartheta}(Q)$ called the *multigraded linear series* of \mathcal{L} . They define the morphism $\phi_{\mathcal{L}}: X \rightarrow |\mathcal{L}|$ which factors into

$$(5.9) \quad X \xrightarrow{\phi_{\mathcal{L}}} \mathcal{M}_{\vartheta}(Q, J) \hookrightarrow |\mathcal{L}|$$

and [CS08, Corollary 4.10] present criteria as to when $\phi_{\mathcal{L}}$ is a closed embedding. For a line bundle L on X_{Σ} , there is a natural bijection between $\mathrm{deg}^{-1}(L) \cap \mathbb{N}^{\Sigma(1)}$ and the generators of $\Gamma(X_{\Sigma}, L)$. Define P_L to be the polytope in $\mathbb{R}^{\Sigma(1)}$ that is the convex hull of the lattice points $\mathrm{deg}^{-1}(L) \cap \mathbb{N}^{\Sigma(1)}$.

Proposition 5.4. *Let \mathcal{L} be a collection of nef line bundles. If $L := \bigotimes_{L_i \in \mathcal{L}} L_i$ is very ample and the Minkowski sum of the polytopes $\{P_{L_i} \mid L_i \in \mathcal{L}\}$ is equal to P_L , then the morphism $\phi_{\mathcal{L}}: X \rightarrow |\mathcal{L}|$ is a closed embedding. In this case, we can recover the line bundles in \mathcal{L} as the restriction of the tautological bundle on $|\mathcal{L}|$ to X .*

Proof. This is immediate from [CS08, Corollary 4.10, Theorem 4.15]. □

Note that as the varieties that we are considering are smooth and toric, then any ample line bundle is very ample.

If the collection \mathcal{L} contains a line bundle that is not nef then we cannot use the multigraded linear series construction to show that $X_{\Sigma} \subset \mathcal{M}_{\vartheta}(Q, J)$. In the examples of toric Fano varieties where this is the case, we show that X is a closed subvariety of $\mathcal{M}_{\theta}(Q, J)$ for

a generic stability parameter θ different to ϑ , such that the tautological bundle on $\mathcal{M}_\theta(Q, J)$ restricts to $\bigoplus_{i \in Q_0} L_i$ on X . To achieve this, we recall the construction of the toric variety $Y_\theta \subset \mathcal{M}_\theta(Q, J)$ from [CS08], (see also [CMT07] and [CQV12]).

Define the map

$$\pi := (\text{inc}, \text{div}): \mathbb{Z}^{Q_1} \rightarrow \text{Wt}(Q) \oplus \mathbb{Z}^{\Sigma(1)}$$

with image $\mathbb{Z}(Q) := \pi(\mathbb{Z}^{Q_1})$ and subsemigroup $\mathbb{N}(Q) := \pi(\mathbb{N}^{Q_1})$. The projections $\pi_1: \mathbb{Z}(Q) \rightarrow \text{Wt}(Q)$ and $\pi_2: \mathbb{Z}(Q) \rightarrow \mathbb{Z}^{\Sigma(1)}$ fit in to the commutative diagram

$$\begin{array}{ccccc} \mathbb{Z}^{Q_1} & & & & \\ & \searrow^{\text{inc}} & & & \\ & & \mathbb{Z}(Q) & \xrightarrow{\pi_1} & \text{Wt}(Q) \\ & \searrow^{\pi} & \downarrow \text{pic} & & \downarrow \text{pic} \\ & & \mathbb{Z}^{\Sigma(1)} & \xrightarrow{\text{deg}} & \text{Pic}(X) \\ & \searrow^{\text{div}} & & & \\ & & & & \end{array}$$

where $\text{pic}(\chi_i) := L_i$, $i \in Q_0$ is a group homomorphism. Let $\mathbb{C}[\mathbb{N}(Q)]$ and $\mathbb{C}[\mathbb{N}^{Q_1}]$ be the semigroup algebra defined by $\mathbb{N}(Q)$ and \mathbb{N}^{Q_1} respectively. The surjective map of semigroup algebras $\pi_*: \mathbb{C}[\mathbb{N}^{Q_1}] \rightarrow \mathbb{C}[\mathbb{N}(Q)]$ induced by π has kernel I_Q that defines an affine toric subvariety $\mathbb{V}(I_Q) \subset \mathbb{C}^{Q_1}$. We obtain a T -action on $\mathbb{V}(I_Q)$ via restriction of the T -action on \mathbb{C}^{Q_1} . For a generic weight $\theta \in \text{Wt}(Q)$, we have the categorical quotient

$$Y_\theta := \mathbb{V}(I_Q) //_\theta T = \text{Proj} \left(\bigoplus_{j \geq 0} \mathbb{C}[\mathbb{N}(Q)]_{j\theta} \right)$$

where $\mathbb{C}[\mathbb{N}(Q)]_\theta$ is the θ -graded piece. The variety Y_θ is toric and is a closed subvariety of $\mathcal{M}_\theta(Q, J)$.

Proposition 5.5. *Fix a generic $\theta \in \text{Wt}(Q)$ such that $L := \text{pic}(\theta)$ is an ample line bundle on X . If*

$$(5.10) \quad \text{deg}^{-1}(L) \cap \mathbb{N}^{\Sigma(1)} \subset \pi_2(\pi_1^{-1}(\theta) \cap \mathbb{N}(Q))$$

then X is a closed subvariety of Y_θ . Furthermore, if θ and ϑ are in the same open GIT-chamber for the T -action on $\mathbb{V}(I_Q)$, then the tautological bundles on $\mathcal{M}_\theta(Q)$ restricts to the line bundles L_i on X .

Proof. The morphism $(\pi_2)_*$ is equivariant under the action of T and $\mathrm{Hom}_{\mathbb{Z}}(\mathrm{Pic}(X), \mathbb{C}^\times)$ on $\mathbb{V}(I_Q)$ and $\mathbb{C}^{\Sigma(1)}$ respectively as the diagram of lattice maps

$$(5.11) \quad \begin{array}{ccc} \mathbb{Z}(Q) & \xrightarrow{\pi_1} & \mathrm{Wt}(Q) \\ \pi_2 \downarrow & & \downarrow \mathrm{pic} \\ \mathbb{Z}^{\Sigma(1)} & \xrightarrow{\mathrm{deg}} & \mathrm{Pic}(X) \end{array}$$

commutes, hence we obtain a rational map from X to Y_θ . As L is ample, we have $X = \mathrm{Proj} \left(\bigoplus_{j \geq 0} \mathbb{C}[x_\rho \mid \rho \in \Sigma_X(1)]_{jL} \right)$ and so X is a closed subvariety of Y_θ when the homomorphism of graded rings

$$(\pi_2)_*: \bigoplus_{j \geq 0} \mathbb{C}[\mathbb{N}(Q)]_{j\theta} \rightarrow \bigoplus_{j \geq 0} \mathbb{C}[x_\rho \mid \rho \in \Sigma_X(1)]_{jL}$$

induced from π_2 is surjective. The bundle L is very ample as X is smooth and toric, so $\bigoplus_{j \geq 0} \mathbb{C}[x_\rho \mid \rho \in \Sigma_X(1)]_{jL}$ is generated in the first graded piece and thus it is enough to check surjectivity on this piece, which follows from (5.10).

Now assume that θ and ϑ are in the same open GIT-chamber for the T -action on $\mathbb{V}(I_Q)$. Then $Y_\theta \cong Y_\vartheta$, so X is a closed subvariety of Y_ϑ and by the arguments in the proof of [CS08, Theorem 4.15], the tautological bundles on $\mathcal{M}_\vartheta(Q)$ restrict to the line bundles L_i on X . As the chosen weight θ' varies, the restriction of the tautological line bundles will change if and only if the θ' -stable representations parametrised by points of $\mathbb{V}(I_Q)$ change; as θ and ϑ are in the same open GIT-chamber this is not the case, so the tautological bundles on $\mathcal{M}_\theta(Q)$ restrict to the line bundles L_i on X . \square

6. GENERATION OF $\mathcal{D}^b(X)$: RESOLUTION OF \mathcal{O}_Δ (METHOD 2)

Section 5 introduced a map of vector bundles d_1 and gave methods to determine if the cokernel of d_1 is \mathcal{O}_Δ . This section uses d_1 to determine if \mathcal{L} generates $\mathcal{D}^b(X)$.

6.1. Resolution of \mathcal{O}_Δ . Let X be a smooth projective toric variety and $\mathcal{L} = \{L_0, \dots, L_r\}$ be a collection of line bundles on X . For $\mathcal{E} \in \mathcal{D}^b(X \times X)$, denote $\Phi^{\mathcal{E}}(-) := \mathbf{R}(p_1)_*(\mathcal{E} \otimes^{\mathbf{L}} p_2^*(-))$: $\mathcal{D}^b(X) \rightarrow \mathcal{D}^b(X)$ to be the Fourier-Mukai transform with kernel \mathcal{E} .

Proposition 6.1. *If there exists an exact sequence of sheaves on $X \times X$ of the form:*

$$0 \rightarrow \mathcal{E}_k \rightarrow \dots \rightarrow \mathcal{E}_1 \xrightarrow{d_1} \mathcal{E}_0 \rightarrow \mathcal{O}_\Delta \rightarrow 0$$

where

$$\begin{aligned}\mathcal{E}_0 &= \bigoplus_{i \in Q_0} L_i \boxtimes L_i^{-1}, \\ \mathcal{E}_1 &= \bigoplus_{a \in Q_1} L_{t(a)} \boxtimes L_{h(a)}^{-1}\end{aligned}$$

and

$$\mathcal{E}_t = \bigoplus_{L_i, L_j \in \mathcal{L}} L_i^{r_{i,t}} \boxtimes L_j^{-s_{j,t}}, \text{ for } 2 \leq t \leq k \text{ and some fixed } r_{i,t}, s_{j,t} \in \mathbb{Z}_{\geq 0},$$

then \mathcal{L} classically generates $\mathcal{D}^b(X)$.

Proof. Assume that we have a resolution of \mathcal{O}_Δ as given in the proposition. It follows from the projection formula that $\Phi^{\mathcal{O}_\Delta}$ is naturally isomorphic to the identity functor on $\mathcal{D}^b(X)$. Therefore for any object $\mathcal{F} \in \mathcal{D}^b(X)$, the object $\Phi^{\mathcal{O}_\Delta}(\mathcal{F}) \cong \mathcal{F}$ is classically generated by $\{\Phi^{\mathcal{E}_0}(\mathcal{F}), \dots, \Phi^{\mathcal{E}_k}(\mathcal{F})\}$. As $\mathbf{R}(p_1)_* \circ p_2^*(-) \cong \mathbf{R}\Gamma(-) \otimes_{\mathcal{O}_X}$ [Huy06, page 86] we have that

$$\Phi^{\mathcal{E}_t}(\mathcal{F}) \cong \bigoplus_{L_i, L_j \in \mathcal{L}} \mathbf{R}\Gamma(X, \mathcal{F} \otimes L_j^{-s_{j,t}}) \otimes L_i^{r_{i,t}}$$

is an object in $\langle \bigoplus_{L_i \in \mathcal{L}} L_i^{r_{i,t}} \rangle$ for all $0 \leq t \leq k$. As $\bigoplus_{L_i \in \mathcal{L}} L_i^{r_{i,t}} \in \langle \mathcal{L} \rangle$ for all $0 \leq t \leq k$, \mathcal{L} classically generates $\mathcal{D}^b(X)$. \square

In order to find a resolution of the diagonal sheaf as in Proposition 6.1, we first recall the approach taken by King [Kin97]. For the locally free sheaf $\mathcal{T} = \bigoplus_{L_i \in \mathcal{L}} L_i$ on X such that $\text{Hom}_X^i(\mathcal{T}, \mathcal{T}) = 0$ for $i \neq 0$, define $A := \text{End}(\mathcal{T})$ and $\mathcal{T}^\vee := \text{Hom}_{\mathcal{O}_X}(\mathcal{T}, \mathcal{O}_X)$. Note that

$$\pi_1^*(\mathcal{T}) = \pi_1^*\left(\bigoplus_{L_i \in \mathcal{L}} L_i\right) = \bigoplus_{L_i \in \mathcal{L}} \pi_1^*(L_i)$$

and

$$\pi_2^*(\mathcal{T}^\vee) = \pi_2^*\left(\bigoplus_{L_i \in \mathcal{L}} L_i^{-1}\right) = \bigoplus_{L_i \in \mathcal{L}} \pi_2^*(L_i^{-1}).$$

By Lemma 5.1, A is isomorphic to $\mathbb{C}Q/J$ for some quiver with relations (Q, J) . The following gives the final part of a minimal projective A, A -bimodule resolution of A [Kin97].

Lemma 6.2. *Let $A = \mathbb{C}Q/J$ and $\{e_i \mid i \in Q_0\}$ be the indecomposable orthogonal idempotents. The following complex of A, A -bimodules gives the final part of the minimal projective resolution of A .*

$$(6.1) \quad \bigoplus_{a \in Q_1} Ae_{t(a)} \otimes [a] \otimes e_{h(a)}A \longrightarrow \bigoplus_{i \in Q_0} Ae_i \otimes [i] \otimes e_iA$$

where $[\rho]$, $[a]$ and $[i]$ are formal symbols. The map in the sequence is determined by

$$e_{t(a)} \otimes [a] \otimes e_{h(a)} \mapsto a \otimes [h(a)] \otimes e_{h(a)} - e_{t(a)} \otimes [t(a)] \otimes a$$

and the map onto A is $e_i \otimes [i] \otimes e_i \mapsto e_i$.

Given a projective A, A -bimodule resolution P^\bullet of A , define $\mathcal{T} \overset{\mathbf{L}}{\boxtimes}_A \mathcal{T}^\vee$ to be the object

$$(6.2) \quad p_1^*(\mathcal{T}) \otimes_A P^\bullet \otimes_A p_2^*(\mathcal{T}^\vee)$$

in $\mathcal{D}^b(X \times X)$. Using Lemma 6.2, the final map in this chain complex is the map d_1 from (5.7).

Lemma 6.3. [Kin97, Theorem 1.2] *If the cokernel of the map d_1 in the chain complex $\mathcal{T} \overset{\mathbf{L}}{\boxtimes}_A \mathcal{T}^\vee$ is \mathcal{O}_Δ , then \mathcal{T} is a classical generator of $\mathcal{D}^b(X)$.*

Although the final part of the minimal projective A, A -bimodule resolution is given by Lemma 6.2, the full resolution is not known in general and so one cannot compute $\mathcal{T} \overset{\mathbf{L}}{\boxtimes}_A \mathcal{T}^\vee$. What we do instead is guess what the resolution of A is and then consider the sheafified version of the resolution as a chain complex S^\bullet

$$(6.3) \quad 0 \rightarrow S_k \rightarrow \cdots \rightarrow S_2 \rightarrow S_1 \xrightarrow{d_1} S_0$$

of $\text{Pic}(X \times X)$ -graded $S_{X \times X}$ -modules, where S_0 is the $S_{X \times X}$ module corresponding to

$$\bigoplus_{i \in Q_0} L_i \boxtimes L_i^{-1}$$

and S_1 is the $S_{X \times X}$ module corresponding to

$$\bigoplus_{a \in Q_1} L_{\mathbf{t}(a)} \boxtimes L_{\mathbf{h}(a)}^{-1}.$$

If S^\bullet is exact up to saturation by the irrelevant ideal $B_{X \times X}$ then it determines an exact sequence of sheaves on $X \times X$ by (2.4).

We guess the construction of S^\bullet by using the concept of the *toric cell complex* introduced by Craw–Quintero-Vélez [CQV12]. This is a combinatorial geometric structure that encodes the minimal projective bimodule resolution for certain classes of algebras; in particular, Calabi-Yau algebras in dimension 3 obtained from consistent dimer models. Given a collection $\mathcal{E} = \{E_0, \dots, E_r\}$ of rank one reflexive sheaves on a Gorenstein affine toric variety Y , the associated *toric algebra* is $\text{End}(\bigoplus_{i=0}^r E_i)$. Craw–Quintero-Vélez state the following conjecture for consistent toric algebras:

Conjecture 6.4. [CQV12, Conjecture 6.4] *Assume that the toric algebra associated to \mathcal{E} is consistent. If the global dimension of the algebra equals the dimension of Y , then the toric cell complex exists and is constructed as in [CQV12], from which the minimal projective bimodule resolution of the toric algebra can be recovered.*

Although the endomorphism algebra of a tilting bundle \mathcal{T} on a toric Fano variety X is not Calabi-Yau, the pullback $\pi^*(\mathcal{T})$ on the total space $\text{tot}(\omega_X)$ of the canonical bundle is, so we guess the resolution of this bundle on $\text{tot}(\omega_X)$ and then restrict it to X .

In what follows, we define a combinatorial method to guess the resolution of the diagonal sheaf by \mathcal{L} based on the construction in [CQV12]. Although the calculations are lengthy and tedious, many of the steps can be achieved using a computer algorithm, the results of which are contained in [PN15].

6.2. The Toric Cell Complex. For a smooth n -dimensional Fano toric variety X , set $Y := \text{tot}(\omega_X)$ to be the total space of the canonical bundle on X . A collection of line bundles \mathcal{L} on X defines a collection of line bundles \mathcal{L}_Y on Y by pulling back along $\text{tot}(\omega_X) \rightarrow X$. The Picard lattice $\text{Pic}(Y)$ is isomorphic to the quotient of $\text{Pic}(X)$ by the subgroup generated by ω_X . Let Q' be the quiver of sections associated to \mathcal{L}_Y and $B = \text{End}(\bigoplus_{L \in \mathcal{L}_Y} L)$. The quiver Q' is cyclic and naturally embeds into $\text{Pic}(Y)_{\mathbb{R}}$. As Y is a toric variety, it has a fan Σ' and we have the exact sequence

$$0 \longrightarrow M' \longrightarrow \mathbb{Z}^{\Sigma'(1)} \xrightarrow{\text{deg}} \text{Pic}(Y) \longrightarrow 0.$$

Definition 6.5. Let Q' be the quiver above. Define \tilde{Q}'_0 to be the set $\bigoplus_{i \in Q'_0} \text{deg}^{-1}(i) \subset \mathbb{Z}^{\Sigma'(1)}$ and for every arrow $a \in Q'_1$ from i to j and each vertex $u \in \text{deg}^{-1}(i)$, define the arrow \tilde{a} in the set \tilde{Q}'_1 to be the arrow from u to $u + \text{div}(a) \in \text{deg}^{-1}(j)$. The *covering quiver* \tilde{Q}' is the quiver in $\mathbb{Z}^{\Sigma'(1)}$ with vertex set \tilde{Q}'_0 and arrow set \tilde{Q}'_1 .

The projection $f: \mathbb{R}^{\Sigma'(1)} \rightarrow M'_{\mathbb{R}} \cong \mathbb{R}^{n+1}$ restricts to $f|_{\mathbb{Z}^{\Sigma'(1)}}: \mathbb{Z}^{\Sigma'(1)} \rightarrow \mathbb{R}^{n+1}$ and so we have the diagram

$$\begin{array}{ccccccc} 0 & \longrightarrow & M' & \longrightarrow & \mathbb{Z}^{\Sigma'(1)} & \xrightarrow{\text{deg}} & \text{Pic}(Y) \longrightarrow 0 \\ & & \parallel & & \downarrow f|_{\mathbb{Z}^{\Sigma'(1)}} & & \\ 0 & \longrightarrow & M' & \longrightarrow & \mathbb{R}^{n+1} & \longrightarrow & \mathbb{T}^{n+1} \longrightarrow 0 \end{array}$$

where $\mathbb{T}^{n+1} := \mathbb{R}^{n+1}/M'$ is a real $(n+1)$ -torus.

If \mathcal{L} is a full strong exceptional collection, Craw–Quintero-Vélez [CQV12, Conjecture 6.4] conjecture that the image of the arrows $a \in \tilde{Q}'$ in \mathbb{T}^{n+1} under the map f decomposes \mathbb{T}^{n+1} into a toric cell complex, comprising of k -cells for $0 \leq k \leq n+1$. The minimal B, B -bimodule projective resolution of B that is expected to be encoded by the toric cell complex has maps determined by differentiating k -cells with respect to $(k-1)$ -cells, for $1 \leq k \leq n+1$. To any cell η in the toric cell complex, there is a well-defined divisor $\text{div}(\eta)$ and monomial $x^{\text{div}(\eta)} \in S_Y$ associated to it. We attempt to construct the exact sequence (6.3) by considering what the image in $S_{Y \times Y}$ is of the maps determined by cell differentiation.

An *anticanonical cycle* in Q' is a path p such that $x^{\text{div}(p)} = \prod_{\rho \in \Sigma'(1)} x_\rho$. Define W to be the sum of all anticanonical cycles in Q' . For two paths p and q in Q' , the partial left derivative of p with respect to q is

$$\partial_q p := \begin{cases} r & \text{if } p = rq, \\ 0 & \text{otherwise} \end{cases}$$

which can be extended by \mathbb{C} -linearity to determine partial derivatives in $\mathbb{C}Q'$. Let

$$\mathcal{P} := \left\{ q \in Q' \mid \begin{array}{l} \partial_q W \text{ is the sum of precisely two paths} \\ \text{that share neither initial or final arrow} \end{array} \right\}$$

and

$$\mathcal{J} := \{(p^+, p^-) \mid p^\pm \in \mathbb{C}Q', \exists q \in \mathcal{P} \text{ such that } \partial_q W = p^+ + p^-\}.$$

Assume now that the dimension of X is 4. We define the following sets:

$$\Gamma'_0 := \tilde{Q}'_0, \quad \Gamma'_1 := \tilde{Q}'_1, \quad \Gamma'_2 := \mathcal{J}.$$

For

- $(p^+, p^-) \in \Gamma'_2$, define $D_{p^+p^-} := \{p \text{ a path in } \tilde{Q}' \mid p \text{ is a summand in } \partial_{p^+} W \text{ or } \partial_{p^-} W\}$,
- $a \in \Gamma'_1$, define $D_a := \{p \text{ a path in } \tilde{Q}' \mid p \text{ is a summand in } \partial_a W\}$,
- $i \in \Gamma'_0$, define $D_i := \{p \text{ a path in } \tilde{Q}' \mid p \text{ is a summand in } \partial_{e_i} W\}$.

Then let

$$\Gamma'_3 := \{D_{p^+p^-} \mid (p^+, p^-) \in \Gamma'_2\}, \quad \Gamma'_4 := \{D_a \mid a \in \Gamma'_1\}, \quad \Gamma'_5 := \{D_i \mid i \in \Gamma'_0\}.$$

Remark 6.6. A set of paths $P \in \Gamma'_k$ is expected to be the 1-skeleton contained in a k -cell in the toric cell complex for \tilde{Q}' , if the toric cell complex exists. The construction of Γ'_3 , Γ'_4 and Γ'_5 follow from the conjecture on duality between k -cells and $(n - k)$ -cells in [CQV12, Conjecture 6.5]. For brevity we will therefore refer to P as a k -cell.

Let $P \in \Gamma'_k$ for $1 \leq k \leq 5$ and $p \in P$ be a path. We define the *head*, *tail* and *label* of P as $\mathbf{h}(P) := \mathbf{h}(p) \in \Gamma'_0$, $\mathbf{t}(P) := \mathbf{t}(p) \in \Gamma'_0$ and $\text{div}(P) := \text{div}(p)$, and note that the definitions do not depend on our choice of p . For $P' \in \Gamma'_{k-i}$, $P \in \Gamma'_k$, $0 \leq i < k \leq 5$ we write $P' \subset P$ if for every path $p \in P'$, there is a path $q \in P$ such that $p \subset q$. If $P' \in \Gamma'_{k-1}$, $P \in \Gamma'_k$ and $P' \subset P$, then a path $q \in P$ containing a path $p \in P'$ defines a monomial $\overleftarrow{\partial}_p q = x^{\text{div}(p')} \in \mathbb{C}[x_0, \dots, x_d] \cong S_Y$ given by the label of the subpath $p' \subset p$ from $\mathbf{t}(P)$ to $\mathbf{t}(P')$, and a monomial $\overrightarrow{\partial}_p q = w^{\text{div}(p'')} \in \mathbb{C}[w_0, \dots, w_d] \cong S_Y$ given by the label of the subpath $p'' \subset p$ from $\mathbf{h}(P')$ to $\mathbf{h}(P)$. Let $\mathcal{R}_{P',P}$ be the set of equivalence classes

$$\{[(p, q)] \mid (p, q) \in P' \times P, p \subset q\}$$

where

$$(p, q) \sim (p', q') \Leftrightarrow \overleftarrow{\partial}_p q = \overleftarrow{\partial}_{p'} q',$$

and note that

$$\overleftarrow{\partial}_{pq} = \overleftarrow{\partial}_{p'q'} \Leftrightarrow \overrightarrow{\partial}_{pq} = \overrightarrow{\partial}_{p'q'}.$$

For $P' \in \Gamma'_{k-1}$ and $P \in \Gamma'_k$, define

$$\partial_{P'}P := \sum_{[(p,q)] \in \mathcal{R}_{P',P}} (\overleftarrow{\partial}_{pq}, -\overrightarrow{\partial}_{pq}) \in S_Y \times S_Y \cong S_{Y \times Y}$$

if $P' \subset P$ and 0 otherwise. The definition of $\partial_{P'}P$ does not depend on the choice of representatives for the equivalence classes in $\mathcal{R}_{P',P}$. We now have the maps

$$d'_k := (\partial_{P'}P)_{\left\{ \begin{array}{l} P' \in \Gamma'_{k-1} \\ P \in \Gamma'_k \end{array} \right\}} : (S_{Y \times Y})^{|\Gamma'_k|} \longrightarrow (S_{Y \times Y})^{|\Gamma'_{k-1}|}, \quad 0 < k \leq 5,$$

$$\mathbf{e}_P \mapsto \bigoplus_{P' \in \Gamma'_{k-1}} (\partial_{P'}P) \mathbf{e}_{P'}.$$

Remark 6.7. The derivatives $\partial_{P'}P$ are defined differently to how they are defined in [CQV12] as a cell P' may ‘appear’ more than once in P (see Example 6.10). Consequently, the property [CQV12, (4.3)] does not hold and we do not immediately obtain an incidence function ε (see [CQV12, (4.4)]) that determines signs in the differentiations of cells.

The construction above can be restricted to the Fano X as follows. For any cone $\sigma \subset \Sigma_X \subset N_{\mathbb{R}}$, define

$$\sigma' := \text{Cone}((0, 1), (u_\rho, 1) \mid u_\rho \in \sigma(1)) \subset N_{\mathbb{R}} \times \mathbb{R}.$$

The fan $\Sigma' \subset N_{\mathbb{R}} \times \mathbb{R}$ that has cones given by σ' for all $\sigma \subset \Sigma_X$ is the fan for Y [CLS11, Proposition 7.3.1]. The toric divisors for X are in one-to-one correspondence with the divisors for Y minus the divisor determined by the ray with ray generator $(0, 1)$, which we label ρ_{tot} . Define the subsets $\Gamma_k := \{P \in \Gamma'_k \mid \text{for all } p \in P, x^{\rho_{\text{tot}}} \nmid x^{\text{div}(p)}\} \subset \Gamma'_k$, $0 \leq k \leq 5$. Then the maps d'_k restrict to

$$(6.4) \quad d_k := (\partial_{P'}P)_{\left\{ \begin{array}{l} P' \in \Gamma_{k-1} \\ P \in \Gamma_k \end{array} \right\}} : (S_{X \times X})^{|\Gamma_k|} \longrightarrow (S_{X \times X})^{|\Gamma_{k-1}|}, \quad 0 < k \leq 4,$$

$$\mathbf{e}_P \mapsto \bigoplus_{P' \in \Gamma_{k-1}} (\partial_{P'}P) \mathbf{e}_{P'}.$$

The $(S_{X \times X})$ -modules $(S_{X \times X})^{|\Gamma_0|}$ and $(S_{X \times X})^{|\Gamma_1|}$ are graded as follows: for $i \in \Gamma_0$ and $a \in \Gamma_1$, let $S_{X \times X}^i \subset (S_{X \times X})^{|\Gamma_0|}$ be given by $S_{X \times X}(L_i, L_i^{-1})$ and $S_{X \times X}^a \subset (S_{X \times X})^{|\Gamma_1|}$ be given by $S_{X \times X}(L_{\mathbf{t}(a)}, L_{\mathbf{h}(a)}^{-1})$. Then $(S_{X \times X})^{|\Gamma_0|}$ and $(S_{X \times X})^{|\Gamma_1|}$ correspond to the bundles $\bigoplus_{i \in Q_0} L_i \boxtimes L_i^{-1}$ and $\bigoplus_{a \in Q_1} L_{\mathbf{t}(a)} \boxtimes L_{\mathbf{h}(a)}^{-1}$ respectively, so the map d_1 in (6.4) is the map given in (5.7). Similarly for $2 \leq k \leq 4$, the modules $(S_{X \times X})^{|\Gamma_k|}$ are graded so that they correspond to

$\bigoplus_{L_i, L_j \in \mathcal{L}} L_i^{r_{i,k}} \boxtimes L_j^{-s_{j,k}}$, for some fixed $r_{i,k}, s_{j,k} \in \mathbb{Z}_{\geq 0}$. We attempt to add signs to entries in the maps d_k for $2 \leq k \leq 4$ so that we get a $\text{Pic}(X \times X)$ -graded chain complex of $S_{X \times X}$ -modules

$$(6.5) \quad 0 \longrightarrow (S_{X \times X})^{|\Gamma_4|} \xrightarrow{d_4} (S_{X \times X})^{|\Gamma_3|} \xrightarrow{d_3} (S_{X \times X})^{|\Gamma_2|} \xrightarrow{d_2} (S_{X \times X})^{|\Gamma_1|} \xrightarrow{d_1} (S_{X \times X})^{|\Gamma_0|}$$

It then needs to be checked that the chain complex is exact up to saturation by the irrelevant ideal $B_{X \times X}$ in order to show that the chain complex determines an exact sequence of sheaves on $X \times X$.

Remark 6.8. A similar construction can be obtained for a smooth toric Fano threefold X . In this case, $\text{tot}(\omega_X)$ is of dimension 4, and so the 4-cells in Γ'_4 are given as the dual cells to the 0-cells in Γ'_0 , the 3-cells in Γ'_3 are computed from the 1-cells in Γ'_1 and the set of 2-cells is self-dual (see Remark 6.6).

Using the method above and for the database of full strong exceptional collections of line bundles in [PN15], the exact sequence of sheaves S^\bullet from (6.3) has been computed for all smooth toric Fano threefolds and 88 of the 124 smooth toric Fano fourfolds. These exact sequences are contained in a database in [PN15], and the fact that they can be computed leads to the following conjecture:

Conjecture 6.9. *Let X be a smooth toric Fano threefold or one of the 88 smooth toric Fano fourfolds such that the given full strong exceptional collection \mathcal{L} in the database [PN15] has a corresponding exact sequence of sheaves $S^\bullet \in \mathcal{D}^b(X \times X)$. Let B denote the rolled up helix algebra of A . Then the toric cell complex of B exists and is supported on a real five-dimensional torus. Moreover,*

- *the cellular resolution exists in the sense of [CQV12], thereby producing the minimal projective bimodule resolution of B ;*
- *the object S^\bullet is quasi-isomorphic to $\mathcal{T} \boxtimes_A^{\mathbf{L}} \mathcal{T}^\vee \in \mathcal{D}^b(X \times X)$, for $\mathcal{T} := \bigoplus_{L \in \mathcal{L}} L$.*

6.3. Method 2. Given a strong exceptional collection \mathcal{L} of line bundles on X with associated quiver Q , we can thus proceed as follows to show that \mathcal{L} generates $\mathcal{D}^b(X)$:

Step 1: Using the method described in Section 6.2, construct the chain complex of $\text{Pic}(X \times X)$ -graded $S_{X \times X}$ -modules (6.3) such that S_t determines the sheaf \mathcal{E}_t , where

$$\mathcal{E}_t = \bigoplus_{L_i, L_j \in \mathcal{L}} L_i^{r_{i,t}} \boxtimes L_j^{-s_{j,t}}, \text{ for } 2 \leq t \leq 4 \text{ and some fixed } r_{i,t}, s_{j,t} \in \mathbb{Z}_{\geq 0}.$$

Check that this chain complex is exact up to saturation by $B_{X \times X}$.

Step 2: If \mathcal{L} is a collection of nef line bundles then

- check that the line bundle $L = \bigotimes_{L_i \in \mathcal{L}} L_i$ is ample;
- show that the Minkowski sum of the polytopes $\{P_{L_i} \mid L_i \in \mathcal{L}\}$ is equal to P_L .

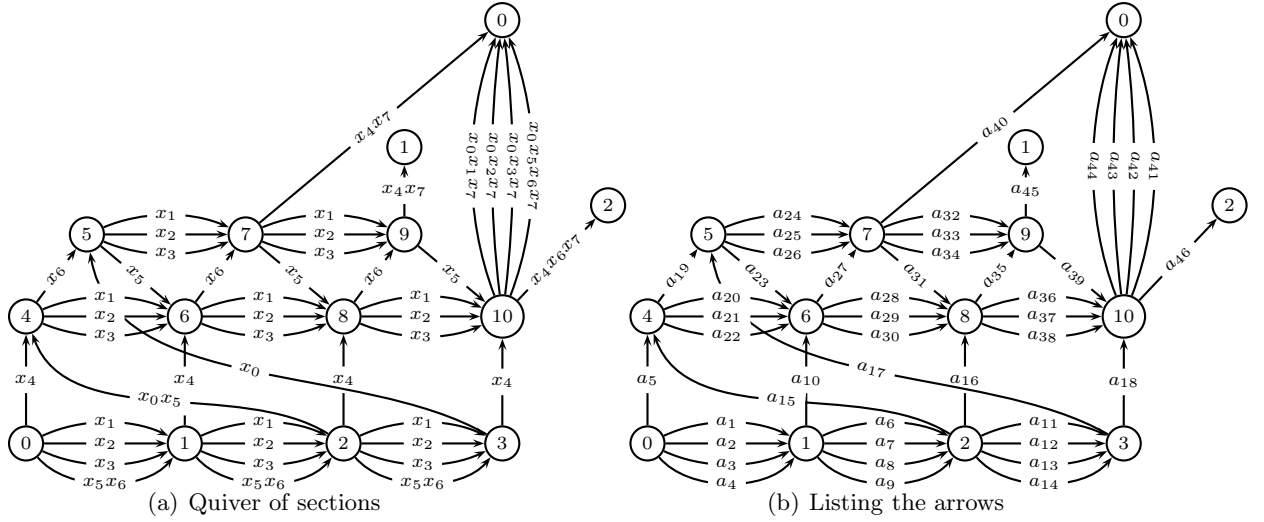


FIGURE 2. A quiver of sections on $\text{tot}(\omega_X)$

Then Propositions 5.4 and 5.3 imply that the exact sequence of sheaves computed in *Step 1* is a resolution of \mathcal{O}_Δ , so $\langle \mathcal{L} \rangle = \mathcal{D}^b(X)$ by Proposition 6.1.

If \mathcal{L} contains non-nef line bundles then

- choose a weight $\theta \in \text{Wt}(Q)$ such that $\text{pic}(\theta)$ is ample and construct Y_θ ;
- check that θ is generic. By the first step of the proof of [BCQ13, Lemma 4.2], it is enough to show that the representations corresponding to each torus-invariant point of Y_θ are θ -stable. Confirm that θ and ϑ are in the same open GIT-chamber for Y_θ ;
- show $\deg^{-1}(L) \cap \mathbb{N}^{\Sigma(1)} \subset \pi_2(\pi_1^{-1}(\theta) \cap \mathbb{N}(Q))$.

Then Propositions 5.5 and 5.3 imply that the exact sequence of sheaves computed in *Step 1* is a resolution of \mathcal{O}_Δ , so $\langle \mathcal{L} \rangle = \mathcal{D}^b(X)$ by Proposition 6.1.

An example of this construction for a collection of nef line bundles on the birationally maximal smooth toric Fano fourfold E_1 is given in Example 6.10, whilst a collection that contains non-nef line bundles on J_1 is shown to be full using this method in Example 6.11.

Example 6.10. Using the variety X and the collection of line bundles \mathcal{L} in Example 5.2, let $Y = \text{tot}(\omega_X)$ and \mathcal{L}_Y be the corresponding collection of line bundles on Y . The quiver of sections Q' for \mathcal{L}_Y with and without arrow labels is given in Figure 2, where vertices with the same labels are identified.

The set J is

$$\mathcal{J} = \left\{ \begin{array}{l} (a_1 a_7, a_2 a_6), (a_1 a_8, a_3 a_6), (a_1 a_9, a_4 a_6), (a_1 a_{10}, a_5 a_{20}), (a_{40} a_1, a_{32} a_{45}), \\ (a_{41} a_1, a_{44} a_4), (a_{42} a_1, a_{44} a_3), (a_{43} a_1, a_{44} a_2), (a_2 a_8, a_3 a_7), (a_2 a_9, a_4 a_7), \\ \vdots \\ (a_{36} a_{42}, a_{38} a_{44}), (a_{36} a_{43}, a_{37} a_{44}), (a_{37} a_{42}, a_{38} a_{43}) \end{array} \right\}$$

As $|Q'_0| = 11, |Q'_1| = 46$ and $|\mathcal{J}| = 83$, we have $|\Gamma'_0| = |\Gamma'_5| = 11, |\Gamma'_1| = |\Gamma'_4| = 46$ and $|\Gamma'_2| = |\Gamma'_3| = 83$. Note that $P' = a_{17} \in \Gamma'_1$ appears twice in $P = (a_{11}a_{17}a_{25}, a_{12}a_{17}a_{24}) \in \Gamma'_2$ (see Remark 6.7). In this case, $\partial_{P'}P = -(x_1w_2 + x_2w_1)$.

The monomial for the the extra divisor in Y is $x^{\rho_{\text{tot}}} = x_7$, so the sets Γ_k are composed of sets of paths that do not contain the any of the arrows in $\{a_{40}, a_{41}, \dots, a_{46}\}$. Via this restriction, we obtain the chain complex of $\text{Pic}(X \times X)$ -graded $(S_{X \times X})$ -modules

$$(6.6) \quad 0 \rightarrow (S_{X \times X})^7 \xrightarrow{d_4} (S_{X \times X})^{31} \xrightarrow{d_3} (S_{X \times X})^{52} \xrightarrow{d_2} (S_{X \times X})^{39} \xrightarrow{d_1} (S_{X \times X})^{11}.$$

This complex is exact up to saturation by $B_{X \times X}$ [PN15] and so is an exact sequence of sheaves on $X \times X$.

We now check that the cokernel of this sequence is \mathcal{O}_Δ . For this collection, the line bundle $L = \bigotimes_{L_i \in \mathcal{L}} L_i = \mathcal{O}_X(7D_4 + 15D_5 + 18D_6)$ is ample. Each column of the matrices below is a vertex of the convex polytope in \mathbb{R}^7 for the corresponding line bundle in \mathcal{L} :

$$\mathcal{O}_X(iD_5 + iD_6) : \begin{bmatrix} 0 & 0 & 0 & 0 \\ i & 0 & 0 & 0 \\ 0 & i & 0 & 0 \\ 0 & 0 & i & 0 \\ 0 & 0 & 0 & 0 \\ 0 & 0 & 0 & i \\ 0 & 0 & 0 & i \end{bmatrix}, \quad \mathcal{O}_X(D_4 + iD_5 + iD_6) : \begin{bmatrix} 0 & 0 & 0 & 1 & 1 & 1 & 0 & 1 \\ i & 0 & 0 & i+2 & 0 & 0 & 0 & 0 \\ 0 & i & 0 & 0 & i+2 & 0 & 0 & 0 \\ 0 & 0 & i & 0 & 0 & i+2 & 0 & 0 \\ 1 & 1 & 1 & 0 & 0 & 0 & 1 & 0 \\ 0 & 0 & 0 & 1 & 1 & 1 & i & i+3 \\ 0 & 0 & 0 & 0 & 0 & 0 & i & i+2 \end{bmatrix},$$

$$\mathcal{O}_X(D_4 + jD_5 + (j+1)D_6) : \begin{bmatrix} 1 & 1 & 1 & 0 & 0 & 0 & 0 & 1 \\ j+3 & 0 & 0 & j & 0 & 0 & 0 & 0 \\ 0 & j+3 & 0 & 0 & j & 0 & 0 & 0 \\ 0 & 0 & j+3 & 0 & 0 & j & 0 & 0 \\ 0 & 0 & 0 & 1 & 1 & 1 & 1 & 0 \\ 0 & 0 & 0 & 0 & 0 & 0 & j & j+3 \\ 0 & 0 & 0 & 1 & 1 & 1 & j+1 & j+3 \end{bmatrix}, \quad i = 0, 1, 2, 3, \quad j = 0, 1, 2.$$

The vertices for the polytope corresponding to L is

$$\mathcal{O}_X(7D_4 + 15D_5 + 18D_6) : \begin{bmatrix} 3 & 3 & 3 & 7 & 7 & 7 & 0 & 0 & 0 & 0 & 7 \\ 24 & 0 & 0 & 32 & 0 & 0 & 15 & 0 & 0 & 0 & 0 \\ 0 & 24 & 0 & 0 & 32 & 0 & 0 & 15 & 0 & 0 & 0 \\ 0 & 0 & 24 & 0 & 0 & 32 & 0 & 0 & 15 & 0 & 0 \\ 4 & 4 & 4 & 0 & 0 & 0 & 7 & 7 & 7 & 7 & 0 \\ 0 & 0 & 0 & 4 & 4 & 4 & 0 & 0 & 0 & 15 & 36 \\ 0 & 0 & 0 & 0 & 0 & 0 & 3 & 3 & 3 & 18 & 32 \end{bmatrix}.$$

The Minkowski sum of the polytopes $\{P_{L_i} \mid L_i \in \mathcal{L}\}$ is equal to the polytope corresponding to L , so (6.6) is a resolution of \mathcal{O}_Δ by Propositions 5.4 and 5.3. Therefore, \mathcal{L} is full by Proposition 6.1.

Example 6.11. Let X be the birationally maximal smooth toric Fano fourfold J_1 . The primitive generators for the rays of X are

$$u_0 = \begin{bmatrix} 1 \\ 0 \\ 0 \\ 0 \end{bmatrix}, u_1 = \begin{bmatrix} 0 \\ 1 \\ 0 \\ 0 \end{bmatrix}, u_2 = \begin{bmatrix} -1 \\ -1 \\ -1 \\ 0 \end{bmatrix}, u_3 = \begin{bmatrix} 0 \\ 1 \\ 1 \\ 0 \end{bmatrix}, u_4 = \begin{bmatrix} 0 \\ 0 \\ 0 \\ 1 \end{bmatrix}, u_5 = \begin{bmatrix} 0 \\ 0 \\ -1 \\ -1 \end{bmatrix}, u_6 = \begin{bmatrix} -1 \\ 0 \\ 0 \\ 0 \end{bmatrix}, u_7 = \begin{bmatrix} -1 \\ 0 \\ 1 \\ 0 \end{bmatrix}$$

a	$\mathbf{t}(a), \mathbf{h}(a)$	$\text{div}(a)$
1	0,1	x_7
2	0,2	x_0
3	1,2	x_1x_6
4	1,2	x_2x_6
5	1,3	$x_3x_6x_7$
6	1,4	x_0x_3
7	2,3	x_4
8	2,3	x_5
9	2,4	x_3x_7
10	3,4	x_1
11	3,4	x_2
12	3,5	x_3x_7
13	3,6	x_0

14	4,5	x_4
15	4,5	x_5
16	4,6	x_6x_7
17	4,7	x_3x_7
18	4,9	x_0
19	5,7	x_1
20	5,7	x_2
21	5,8	x_6x_7
22	5,11	x_3x_7
23	5,12	x_0
24	6,8	x_4
25	6,8	x_5
26	6,9	x_1

27	6,9	x_2
28	6,10	x_3
29	7,10	x_6
30	7,11	x_4
31	7,11	x_5
32	7,16	x_0
33	8,12	x_1
34	8,12	x_2
35	8,13	x_3
36	9,12	x_4
37	9,12	x_5
38	9,14	x_3
39	10,12	x_7

40	10,13	x_4
41	10,13	x_5
42	10,14	x_1
43	10,14	x_2
44	11,13	x_6
45	12,15	x_4
46	12,15	x_5
47	12,16	x_1
48	12,16	x_2
49	13,15	x_7
50	14,16	x_7

FIGURE 3. The arrows in a quiver of sections for the smooth toric Fano fourfold J_1

The collection of line bundles on X

$$\mathcal{L} = \left\{ \begin{array}{l} \mathcal{O}_X((2+i)D_2 + (2+j-i)D_5 + 2D_6 + (k+1)D_7), \\ \mathcal{O}_X((1+i)D_2 + (k+i)D_5 + (1+j-i)D_6 + (1+j-i)D_7), \\ \mathcal{O}_X(kD_7), \mathcal{O}_X(D_2 + kD_5 + D_6 + D_7), \\ \mathcal{O}_X(3D_2 + D_5 + 2D_6 + 2D_7) \end{array} \middle| \begin{array}{l} 1 \leq i \leq j \leq 2 \\ 0 \leq k \leq 1 \end{array} \right\}$$

is strong exceptional and contains the non-nef line bundle $\mathcal{O}_X(D_7)$. We obtain the chain complex of $\text{Pic}(X \times X)$ -graded $(S_{X \times X})$ -modules

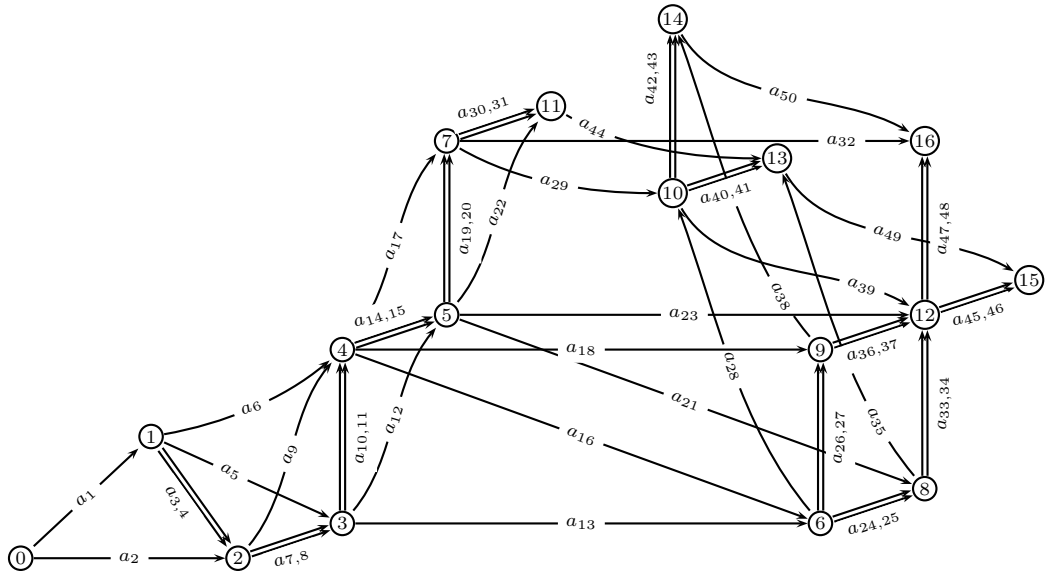
$$(6.7) \quad 0 \rightarrow (S_{X \times X})^{12} \xrightarrow{d_4} (S_{X \times X})^{38} \xrightarrow{d_3} (S_{X \times X})^{59} \xrightarrow{d_2} (S_{X \times X})^{50} \xrightarrow{d_1} (S_{X \times X})^{17}$$

from this collection, which is exact up to saturation by $B_{X \times X}$ [PN15]. The table in Figure 3 lists the arrows in the quiver of sections Q corresponding to \mathcal{L} .

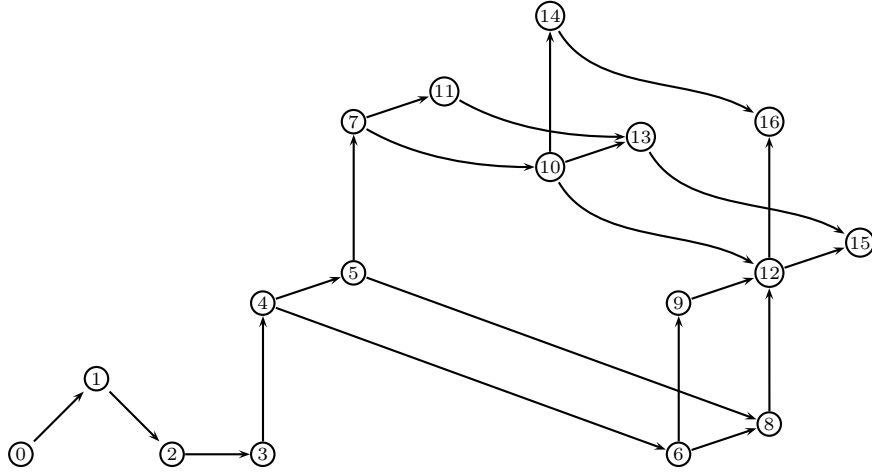
As $|Q_0| = 17$ and $|\Sigma(1)| = 8$, we let $\{\mathbf{e}_i \mid i \in Q_0\} \cup \{\mathbf{e}_\rho \mid \rho \in \Sigma(1)\}$ be the standard basis of \mathbb{Z}^{17+8} and define the lattice points $c_a := \mathbf{e}_{\mathbf{h}(a)} - \mathbf{e}_{\mathbf{t}(a)} + \mathbf{e}_{\text{div}(a)}$ for each arrow $a \in Q_1$. The map π is then given by the matrix $C: \mathbb{Z}^{50} \rightarrow \mathbb{Z}^{17+8}$ where the columns of C are given by $c_a, a \in Q_1$, and the semigroup $\mathbb{N}(Q)$ is given by the lattice points generated by positive linear combinations of the c_a . Our choice of bases for $\text{Pic}(X)$ and $\text{Wt}(Q)$ imply that the lattice maps deg and pic are given by the matrices:

$$\text{deg}: \begin{bmatrix} 1 & 1 & 1 & 1 & 0 & 0 & 0 & 0 \\ 0 & 0 & 0 & 1 & 1 & 1 & 0 & 0 \\ 1 & 0 & 0 & 0 & 0 & 0 & 1 & 0 \\ 1 & 0 & 0 & -1 & 0 & 0 & 0 & 1 \end{bmatrix}, \quad \text{pic}: \begin{bmatrix} 0 & 0 & 1 & 1 & 2 & 2 & 2 & 2 & 3 & 2 & 3 & 3 & 3 & 3 & 3 & 4 & 3 & 4 \\ 0 & 0 & 0 & 1 & 1 & 2 & 1 & 2 & 2 & 1 & 2 & 3 & 2 & 3 & 2 & 3 & 2 \\ 0 & 0 & 1 & 1 & 1 & 2 & 1 & 2 & 2 & 2 & 1 & 2 & 2 & 2 & 2 & 2 & 2 \\ 0 & 1 & 1 & 1 & 1 & 1 & 2 & 1 & 2 & 2 & 1 & 1 & 2 & 1 & 1 & 2 & 2 \end{bmatrix}$$

Fix θ to be the weight that assigns -6 to the vertex 0 in the quiver, 1 to the vertices $\{11, 12, \dots, 16\}$ and 0 to every other vertex. We note that $\text{pic}(\theta)$ is the ample line bundle



(a) The quiver of sections



(b) A representation of the quiver corresponding to a torus-invariant point in Y_θ

FIGURE 4. A quiver of sections on the smooth toric Fano fourfold J_1

$L = \mathcal{O}_X(20D_2 + 15D_5 + 11D_6 + 9D_7)$. For this choice of θ , not only does $\pi_2(\mathbb{N}(Q) \cap (\pi_1)^{-1}(\theta))$ surject onto $\mathbb{N}^{\Sigma(1)} \cap \deg^{-1}(L)$, but Y_θ is isomorphic to X . As $\theta_i \geq 0$ for $i > 0$, θ is in the same closed GIT-chamber for Y_θ as ϑ , and so they are in the same open chamber if θ is generic. To check that θ is generic, it is enough to check that for each torus-invariant point on Y_θ , the corresponding representation is θ -stable. The list below gives the 17 maximal cones in the fan for Y_θ – recall that each maximal cone corresponds to a torus-invariant point and the point is in the intersection of the divisors labelled by the rays of the cone.

$$\begin{array}{cccccc}
\{\rho_0, \rho_1, \rho_3, \rho_4\} & \{\rho_0, \rho_1, \rho_3, \rho_5\} & \{\rho_0, \rho_1, \rho_4, \rho_5\} & \{\rho_0, \rho_2, \rho_3, \rho_4\} & \{\rho_0, \rho_2, \rho_3, \rho_5\} \\
\{\rho_0, \rho_2, \rho_4, \rho_5\} & \{\rho_1, \rho_2, \rho_4, \rho_5\} & \{\rho_1, \rho_2, \rho_4, \rho_6\} & \{\rho_1, \rho_2, \rho_5, \rho_6\} & \{\rho_1, \rho_3, \rho_4, \rho_7\} \\
\{\rho_1, \rho_3, \rho_5, \rho_7\} & \{\rho_1, \rho_4, \rho_6, \rho_7\} & \{\rho_1, \rho_5, \rho_6, \rho_7\} & \{\rho_2, \rho_3, \rho_4, \rho_7\} & \{\rho_2, \rho_3, \rho_5, \rho_7\} \\
& & \{\rho_2, \rho_4, \rho_6, \rho_7\} & \{\rho_2, \rho_5, \rho_6, \rho_7\} &
\end{array}$$

For the representation (V, ϕ) corresponding to the torus-invariant point with rays $\{\rho_{i_1}, \rho_{i_2}, \rho_{i_3}, \rho_{i_4}\}$, the map ϕ_a is 0 if for any $x_i \in \{x_{i_1}, x_{i_2}, x_{i_3}, x_{i_4}\}$, x_i divides $\text{div}(a)$, whilst $\phi_a = 1$ otherwise. For example, consider the maximal cone $\{\rho_0, \rho_1, \rho_3, \rho_4\}$. The corresponding representation $V = (V, \phi)$ has $\phi_a = 0$ for

$$a \in \left\{ \begin{array}{c} a_2, a_3, a_5, a_6, a_7, a_9, a_{10}, a_{12}, a_{13}, a_{14}, a_{17}, a_{18}, a_{19}, a_{22}, a_{23}, a_{24}, a_{26}, \\ a_{28}, a_{30}, a_{32}, a_{33}, a_{35}, a_{36}, a_{38}, a_{40}, a_{42}, a_{45}, a_{47} \end{array} \right\}$$

and is displayed in Figure 4. Specifying a subrepresentation (V', ϕ') of V is equivalent to setting $\phi'_a = \phi_a$ for all $a \in Q_1$ and choosing a subset $I \subset Q_0$ so that $V'_i = \mathbb{C}$ for $i \in I$, and $V'_i = 0$ otherwise. In our example, for any subrepresentation V' with $V'_0 = \mathbb{C}$, we have $V' = V$ as there is a non-zero map from V'_0 to every other V'_i . It is also clear from Figure 4 that for any $i \in Q_0$, there is a non zero map from V_i to V_j for some $j \in \{11, 12, \dots, 16\}$. As a result, the corresponding nonzero proper subrepresentation V' of V must have $V'_j = \mathbb{C}$ and so $\theta(V') > 0$ by the choice of θ . By considering the subrepresentations of the representation corresponding to each of the 17 torus-invariant points on Y_θ , we see that θ is generic – the calculations for this example can be found in the file [PNa]. Therefore, (6.7) is a resolution of \mathcal{O}_Δ by Propositions 5.5 and 5.3, so the collection \mathcal{L} on J_1 is full by Proposition 6.1.

7. FULL STRONG EXCEPTIONAL COLLECTIONS ON TORIC VARIETIES

In this section we present the main theorems of this paper.

For a divisorial contraction $(f, \phi): (X, \Sigma_X) \rightarrow (Y, \Sigma_Y)$ the Frobenius morphism can be used to give examples of when the pushforward of a line bundle L via f and the image of L under the map γ from (2.7) are equal. Note that for a toric variety X , the canonical bundle is $\omega_X = -\sum_{\rho \in \Sigma_X(1)} D_\rho$.

Lemma 7.1. *Fix an integer $m > 0$ and let $(f, \phi): (X, \Sigma_X) \rightarrow (Y, \Sigma_Y)$ be a torus-equivariant extremal birational contraction between smooth n -dimensional projective toric varieties. Let $\sigma \subset \Sigma_X$ be a maximal cone such that $\phi(\sigma)$ is a cone in Σ_Y , and $\mathbf{w} = \mathbf{0}$ or $(-1, \dots, -1)^t \in \mathbb{Z}^{\Sigma_X(1)}$. Then for any $\mathbf{v} \in P_m^n$,*

$$(7.1) \quad f_* \mathcal{O}_X(D_{\mathbf{v}, \mathbf{w}, \sigma}^X) = \mathcal{O}_Y(D_{\mathbf{v}, \mathbf{w}, \phi(\sigma)}^Y)$$

and

$$(7.2) \quad \mathfrak{D}(\mathcal{O}_Y)_m = \{f_* L_X \mid L_X \in \mathfrak{D}(\mathcal{O}_X)_m\},$$

$$(7.3) \quad \mathfrak{D}(\omega_Y)_m = \{f_*L_X \mid L_X \in \mathfrak{D}(\omega_X)_m\}.$$

In particular, the maps f_* and γ coincide for $\mathcal{O}_X(D_{v, \mathbf{w}, \sigma}^X)$.

Proof. The result [Ueh14, Lemma 6.1] gives the case $\mathbf{w} = \mathbf{0}$. Noting that $f_*(\omega_X) \cong \omega_Y$ [CLS11, Theorem 9.3.12], the proof can also be applied to $\mathbf{w} = (-1, \dots, -1)^t$. The algorithm to compute $F_m(L)$ demonstrates the equality between f_* and γ for the line bundles considered. \square

Proposition 7.2. *With the same assumptions as in Lemma 7.1, choose a collection of line bundles $\mathcal{L} \subset \mathfrak{D}_m \cup \mathfrak{D}(\omega_X)_m$. If \mathcal{L} generates $\mathcal{D}^b(X)$ then the non-isomorphic line bundles in the image of $\gamma(\mathcal{L})$ generate $\mathcal{D}^b(Y)$.*

Proof. Note that $\mathbb{R}f_*\mathcal{O}_X = \mathcal{O}_Y$ and $\mathbb{R}f_*\omega_X = \omega_Y$ [CLS11, Theorem 9.3.12], so by the equality $F_m^Y \circ f = f \circ F_m^X$ we have $\mathbb{R}f_*F_m^X\mathcal{O}_X = F_m^Y\mathcal{O}_Y$ and $\mathbb{R}f_*F_m^X\omega_X = F_m^Y\omega_Y$. The result then follows by Lemmas 4.3 and 7.1. \square

Remark 7.3. A collection of line bundles \mathcal{L} on X is full strong exceptional if and only if the dual collection $\mathcal{L}^{-1} := \{L^{-1} \mid L \in \mathcal{L}\}$ is full strong exceptional. In the following theorem when we choose $\mathcal{L} \subset \mathfrak{D}_m \cup \mathfrak{D}(\omega_X)_m$ and use **method 2** to show that \mathcal{L} is full, we actually compute the $S_{X \times X}$ -module chain complex using \mathcal{L}^{-1} , as \mathcal{L}^{-1} will be an effective collection whilst \mathcal{L} will not be effective.

Theorem 7.4. *Let X be a smooth toric Fano fourfold. There exists a full strong exceptional collection comprising of line bundles for X . A database of these collections can be found in [PN15].*

Proof. Firstly, if X is the product of smooth toric Fano varieties of a lower dimension, then it has a full strong exceptional collection of line bundles by Lemma 2.9 and [Kin97, Ueh14]. These varieties, along with \mathbb{P}^4 , account for 29 of the 124 fourfolds. Now consider the 26 birationally-maximal smooth toric Fano fourfolds that are not products. Given a collection of line bundles on each of these varieties, we can check if it is strong exceptional by using the method outlined in Section 3.1, which has been implemented in the computer package *QuiversToricVarieties* in *Macaulay2* [PN15, GS]. Once we have a strong exceptional collection, we can use **method 1** or **method 2** to show that it is full; preference has been given to using **method 2**, but when the chain complex of $S_{X \times X}$ -modules cannot be computed we use **method 1**.

The collections of line bundles on the following maximal varieties are shown to be full using **method 2**:

$$E_1, I_5, I_8, I_{15}, M_5, J_1, J_2, K_1, K_2, R_1, R_3, U_2, U_7, U_8, V^4, \tilde{V}^4$$

For all of these varieties except J_1 (see Example 6.11) and V^4 (see Example 9.2), the collections chosen are collections of nef line bundles. The collections on the rest of the maximal fourfolds are shown to be full using **method 1**. The collections for all of the 26 maximal fourfolds are chosen from $\mathfrak{D}_m \cup \mathfrak{D}(\omega_X)_m$ for some $m > 0$, except for $R_1, R_2, R_3, \tilde{V}^4$, and V^4 . Note however that for R_3 , the given collection determines a new full strong exceptional collection chosen from $\mathfrak{D}_m \cup \mathfrak{D}(\omega_X)_m$, as shown in Example 7.6.

For a full strong exceptional collection \mathcal{L}_X chosen from $\mathfrak{D}_m \cup \mathfrak{D}(\omega_X)_m$ on a maximal fourfold and a chain of divisorial contractions $X \rightarrow X_1 \rightarrow \cdots \rightarrow X_t$, Proposition 7.2 implies that the distinct line bundles \mathcal{L}_{X_t} in the image of $\gamma(\mathcal{L})$ generates $\mathcal{D}^b(X_t)$, where $\gamma: \text{Pic}(X) \rightarrow \text{Pic}(X_t)$. Therefore, it is enough to show that \mathcal{L}_{X_t} is strong exceptional to obtain a full strong exceptional collection on X_t . To check that \mathcal{L}_{X_t} is strong exceptional, we can check that \mathcal{L} avoids the pullback of the non-vanishing cohomology cones for X_t via γ as detailed in Section 3.2 – again, this calculation has been implemented into *QuiversToricVarieties*. By performing these calculations, we obtain full strong exceptional collections of line bundles for 64 of the Fano fourfolds.

The remaining fourfolds D_6, H_{10}, M_1, M_2 and M_3 are non-maximal and do not obtain a full strong exceptional collection from a maximal fourfold. There is a divisorial contraction $H_{10} \rightarrow D_6$ and we can choose a strong exceptional collection $\mathcal{L}_{H_{10}} \subset \mathfrak{D}_m \cup \mathfrak{D}(\omega_{H_{10}})_m$ such that we get a strong exceptional collection \mathcal{L}_{D_6} on D_6 via the map γ . We use **method 2** to show that $\mathcal{L}_{H_{10}}$ is full, and hence we also obtain a full strong exceptional collection on D_6 . For varieties M_1 and M_3 we use **method 2** to show generation; the collection on M_1 contains non-nef line bundles (see Example 9.1) whilst all of the line bundles chosen on M_3 are nef. For variety M_2 , our chosen strong exceptional collection is shown to be full using **method 1**.

The calculations in *Macaulay2* and *Sage* [S⁺15] that are required for this proof can be found in the file [PNa]. \square

Remark 7.5. The construction above provides a new proof that there exist full strong exceptional collections on n -dimensional toric Fano smooth varieties for $n \leq 3$. In particular, resolutions of \mathcal{O}_Δ using $S_{X \times X}$ -modules have been constructed for each birationally maximal Fano threefold X .

Example 7.6. The 106th smooth toric Fano fourfold $X := R_3$ has ray generators

$$u_0 = \begin{bmatrix} 1 \\ 0 \\ 0 \\ 0 \end{bmatrix}, u_1 = \begin{bmatrix} 0 \\ 1 \\ 0 \\ 0 \end{bmatrix}, u_2 = \begin{bmatrix} 0 \\ -1 \\ 1 \\ -1 \end{bmatrix}, u_3 = \begin{bmatrix} 0 \\ 0 \\ 1 \\ 0 \end{bmatrix}, u_4 = \begin{bmatrix} 0 \\ 0 \\ 0 \\ 1 \end{bmatrix}, u_5 = \begin{bmatrix} 0 \\ 0 \\ -1 \\ 0 \end{bmatrix}, u_6 = \begin{bmatrix} 1 \\ 0 \\ 0 \\ -1 \end{bmatrix}, u_7 = \begin{bmatrix} -1 \\ 0 \\ 0 \\ 1 \end{bmatrix},$$

$$u_8 = \begin{bmatrix} -1 \\ 0 \\ 0 \\ 0 \end{bmatrix}$$

for its fan Σ_X . We take the corresponding divisors D_2, D_5, D_6, D_7, D_8 to be a basis for $\text{Pic}(X)$. The collection of nef line bundles on X

$$\mathcal{L} = \left\{ \begin{array}{l} \mathcal{O}_X(iD_2 + jD_5 + D_6 + D_7 + D_8), \mathcal{O}_X((j-1)D_5 + (i-1)D_7 + (i-1)D_8), \\ \mathcal{O}_X((i-1)D_2 + 2D_5 + jD_7 + jD_8), \mathcal{O}_X(D_2 + D_5 + iD_7 + jD_8), \\ \mathcal{O}_X(D_2 + 2D_5 + (i-1)D_6 + D_7 + jD_8), \mathcal{O}_X(2D_2 + iD_5 + jD_7 + 2D_8), \\ \mathcal{O}_X(2D_2 + (j-i+1)D_5 + (1-j+i)D_6 + D_7 + jD_8) \end{array} \right\} \left| \begin{array}{l} 1 \leq i \leq j \leq 2 \end{array} \right.$$

is strong exceptional and is shown to be full using **method 2**, but $\mathcal{L}^{-1} \not\subseteq \mathfrak{D}_m \cup \mathfrak{D}(\omega_X)_m$. However, following Bridgeland and Stern [BS10], we can use \mathcal{L} to define a *helix* $\mathbb{H}_{\mathcal{L}}$ for X :

Definition 7.7. A sequence of coherent sheaves $\mathbb{H} = (E_i)_{i \in \mathbb{Z}}$ on X is a *helix* if

- for each $i \in \mathbb{Z}$ the *thread* $(E_{i+1}, \dots, E_{i+k})$ is a full exceptional collection,
- for each $i \in \mathbb{Z}$, we have $E_{i-k} = E_i \otimes \omega_X$.

If $\{E_0, \dots, E_{k-1}\}$ is a full exceptional collection then by [BS10, Remark 3.2] each thread of \mathbb{H} is a full exceptional collection. Therefore, as \mathcal{L} is full then the sequence $\mathbb{H}_{\mathcal{L}}$ constructed from \mathcal{L} is indeed a helix. We can choose a thread in $\mathbb{H}_{\mathcal{L}}$ and twist it by the line bundle $\mathcal{O}_X(-D_5 - D_7 - D_8)$ to obtain the following full strong exceptional collection:

$$\mathcal{L}' = \left\{ \begin{array}{l} \mathcal{O}_X(jD_5 + iD_7 + iD_8), \mathcal{O}_X(D_2 + iD_7 + jD_8), \\ \mathcal{O}_X(D_2 + jD_5 + D_6 + iD_8), \mathcal{O}_X(D_2 + D_5 + iD_7 + jD_8), \\ \mathcal{O}_X(2D_2 + iD_5 + jD_7 + D_8), \mathcal{O}_X(2D_2 + iD_5 + D_6 + jD_8), \\ \mathcal{O}_X(2D_2 + (i+1)D_5 + jD_6 + (i-j+1)D_8) \end{array} \right\} \left| \begin{array}{l} 0 \leq i \leq j \leq 1 \end{array} \right.$$

Now $(\mathcal{L}')^{-1}$ is a non-nef collection that is contained in $\mathfrak{D}_m \cup \mathfrak{D}(\omega_X)_m$ for some $m > 0$, which we can use to obtain a full strong exceptional collection on the divisorial contraction M_4 via the method outlined in the proof of Theorem 7.4.

The full strong exceptional collections on each smooth toric Fano variety X determine tilting bundles on the total space of ω_X .

Theorem 7.8. *Let $Y = \text{tot}(w_X)$ be the total space of the canonical bundle on an n -dimensional smooth toric Fano variety X , for $n \leq 4$. Then Y has a tilting bundle that decomposes as a direct sum of line bundles.*

Proof. Let $\pi : Y \rightarrow X$ be the bundle map and $\{L_0, \dots, L_r\}$ be a full strong exceptional collection of line bundles on X . The pullback $\pi^*(E)$ of the bundle $E := \bigoplus_{i=0}^r L_i$ generates $\mathcal{D}^b(Y)$ (see the proof for [BS10, Theorem 3.6]) so it enough to show that $\text{Hom}^i(\pi^*(E), \pi^*(E)) = 0$ for $i > 0$. By adjunction and the projection formula this is equivalent to showing that

$$(7.4) \quad \bigoplus_{i \neq j} \text{Hom}^k(L_i, L_j \otimes \pi_*(\mathcal{O}_Y)) \cong \bigoplus_{i \neq j} H^k(X, L_i^{-1} \otimes L_j \otimes \pi_*(\mathcal{O}_Y)) = 0 \text{ for } k \neq 0.$$

Now

$$\pi_*(\mathcal{O}_Y) = \bigoplus_{p \geq 0} \omega_X^{-p}$$

and as ω_X^{-1} is ample, there is some positive integer T such that for all $t \geq T$, $L_i^{-1} \otimes L_j \otimes \omega_X^{-t}$ is nef for all $0 \leq i, j \leq r$, in which case $H^k(X, L_i^{-1} \otimes L_j \otimes \omega_X^{-t}) = 0$ for $k > 0$ by Demazure vanishing. Hence $\pi^*(E)$ is a tilting bundle if

$$(7.5) \quad H^k(X, L_i^{-1} \otimes L_j \otimes \omega_X^{-t}) = 0 \text{ for } k \neq 0, 0 \leq i \neq j \leq r, 0 \leq t < T.$$

The non-vanishing cohomology cones in $\text{Pic}(X)$ can then be used to show that the line bundle $L_i^{-1} \otimes L_j \otimes \omega_X^{-t}$ has vanishing higher cohomology for $0 \leq i \neq j \leq r, 0 \leq t < T$, as implemented in *QuiversToricVarieties*.

Now let $X =: X_0 \rightarrow X_1 \rightarrow \cdots \rightarrow X_d$ be a chain of divisorial contractions between smooth toric Fano varieties and assume that the collection \mathcal{L} determines a full strong exceptional collection on each X_k , $0 \leq k \leq d$ via the divisorial contractions, as detailed in Theorem 7.4. For each variety X_k with collection \mathcal{L}_{X_k} , we have an integer $T_k \geq 0$ such that $L_i^{-1} \otimes L_j \otimes \omega_{X_k}^{-T_k}$ is nef for all $L_i, L_j \in \mathcal{L}_{X_k}$. Define $T = \max(T_0, \dots, T_d)$. Then we can check simultaneously that each \mathcal{L}_{X_k} determines a tilting bundle on $\text{tot}(\omega_{X_k})$ by considering whether the line bundles $L_i^{-1} \otimes L_j \otimes \omega_X^{-t}$ avoid the preimage in $\text{Pic}(X)$ of all non-vanishing cohomology cones for X_1, \dots, X_d via the Picard lattice maps, for all $0 \leq i \neq j \leq r, 0 \leq t < T$. Again, this calculation can be performed in *QuiversToricVarieties*. \square

Remark 7.9. Using the full strong exceptional collections of line bundles \mathcal{L}_X on a smooth toric Fano variety X given by King [Kin97], Uehara [Ueh14] and Theorem 7.4, we find that

- (1) the minimal T such that $L_i^{-1} \otimes L_j \otimes \omega_X^{-T}$ is nef for all smooth toric Fano surfaces and all $L_i, L_j \in \mathcal{L}_X$ is $T = 1$;
- (2) the minimal T such that $L_i^{-1} \otimes L_j \otimes \omega_X^{-T}$ is nef for all smooth toric Fano threefolds and all $L_i, L_j \in \mathcal{L}_X$ is $T = 2$;
- (3) the minimal T such that $L_i^{-1} \otimes L_j \otimes \omega_X^{-T}$ is nef for all smooth toric Fano fourfolds and all $L_i, L_j \in \mathcal{L}_X$ is $T = 3$.

8. APPENDIX A

The tables below contain details on the construction of the full strong exceptional collections of line bundles \mathcal{L} on smooth n -dimensional toric Fano varieties, for $2 \leq n \leq 4$. If $X = \mathbb{P}^n$ then the full strong exceptional collection is provided by Beilinson [Bei78], whilst if X is a product of smooth toric Fano varieties then a full strong exceptional collection is given for X by Lemma 2.9.

A *maximal* variety is a variety that is birationally maximal, as explained in Section 2.1. The sets \mathfrak{D}_m and $\mathfrak{D}(\omega_X)_m$ are the Frobenius pushforwards of \mathcal{O}_X and ω_X respectively as

defined in Section 4.1, for some integer $m > 0$. *Method 1* and *method 2* are described in Section 4.2 and Section 6.3 respectively, and are used where stated to show that the collection \mathcal{L} is full. The description “collection from (j)” for an n -dimensional variety X means that there is a chain of torus-invariant divisorial contractions $X_0 \rightarrow X_1 \rightarrow \cdots \rightarrow X_j := X$ between smooth n -dimensional toric Fano varieties, where X_0 is the j^{th} n -dimensional variety. The full strong exceptional collection on X is then given by the non-isomorphic line bundles in the image of the full strong exceptional collection for X_0 under the induced Picard lattice map $\gamma_{(0 \rightarrow j)}: \text{Pic}(X_0) \rightarrow \text{Pic}(X_j)$ (see Section 3.2 and Theorem 7.4 for details).

8.1. Toric del Pezzo Surfaces.

	Variety	Details of the Full Strong Exceptional Collection
(0)	\mathbb{P}^2	Beilinson’s collection
(1)	$\mathbb{P}^1 \times \mathbb{P}^1$	product of smooth toric Fano varieties
(2)	$S_1, Bl_1(\mathbb{P}^2)$	collection from (4)
(3)	$S_2, Bl_2(\mathbb{P}^2)$	collection from (4)
(4)	$S_3, Bl_3(\mathbb{P}^2)$	Maximal variety. $\mathcal{L} = \mathfrak{D}_m$. Generation: <i>Method 2</i>

8.2. Smooth Toric Fano Threefolds.

	Variety	Details of the Full Strong Exceptional Collection
(0)	\mathbb{P}^3	Beilinson’s collection
(1)	\mathcal{B}_1	collection from (10)
(2)	\mathcal{B}_2	collection from (17)
(3)	\mathcal{B}_3	collection from (17)
(4)	$\mathcal{B}_4, \mathbb{P}^2 \times \mathbb{P}^1$	product of smooth toric Fano varieties
(5)	\mathcal{C}_1	collection from (17)
(6)	\mathcal{C}_2	collection from (17)
(7)	$\mathcal{C}_3, \mathbb{P}^1 \times \mathbb{P}^1 \times \mathbb{P}^1$	product of smooth toric Fano varieties
(8)	$\mathcal{C}_4, S_1 \times \mathbb{P}^1$	product of smooth toric Fano varieties
(9)	\mathcal{C}_5	collection from (17)
(10)	\mathcal{D}_1	Maximal variety. $\mathcal{L} \subset \mathfrak{D}_m$. Generation: <i>Method 2</i>
(11)	\mathcal{D}_2	collection from (17)

(12)	\mathcal{E}_1	collection from (17)
(13)	\mathcal{E}_2	collection from (17)
(14)	$\mathcal{E}_3, S_2 \times \mathbb{P}^1$	product of smooth toric Fano varieties
(15)	\mathcal{E}_4	collection from (17)
(16)	$\mathcal{F}_1, S_3 \times \mathbb{P}^1$	Maximal, product of smooth toric Fano varieties
(17)	\mathcal{F}_2	Maximal variety. $\mathcal{L} = \mathcal{D}_m$. Generation: <i>Method 2</i>

8.3. Smooth Toric Fano Fourfolds.

	Variety	Details of the Full Strong Exceptional Collection
(0)	\mathbb{P}^4	Beilinson's collection
(1)	B_1	collection from (10)
(2)	B_2	collection from (65)
(3)	B_3	collection from (114)
(4)	$B_4, \mathbb{P}^1 \times \mathbb{P}^3$	product of smooth toric Fano varieties
(5)	B_5	collection from (114)
(6)	C_1	collection from (100)
(7)	C_2	collection from (114)
(8)	C_3	collection from (80)
(9)	$C_4, \mathbb{P}^2 \times \mathbb{P}^2$	product of smooth toric Fano varieties
(10)	E_1	Maximal variety. $\mathcal{L} \subset \mathcal{D}_m$. Generation: <i>Method 2</i>
(11)	E_2	collection from (65)
(12)	E_3	collection from (109)
(13)	D_1	collection from (100)
(14)	D_2	collection from (100)
(15)	D_3	collection from (101)
(16)	D_4	collection from (65)
(17)	$D_5, \mathbb{P}^1 \times \mathcal{B}_1$	product of smooth toric Fano varieties
(18)	D_6	collection from (109)
(19)	D_7	collection from (115)
(20)	D_8	collection from (109)
(21)	D_9	collection from (107)

(22)	D_{10}	collection from (114)
(23)	D_{11}	collection from (114)
(24)	$D_{12}, \mathbb{P}^1 \times \mathcal{B}_2$	product of smooth toric Fano varieties
(25)	$D_{13}, \mathbb{P}^1 \times \mathbb{P}^1 \times \mathbb{P}^2$	product of smooth toric Fano varieties
(26)	$D_{14}, \mathbb{P}^1 \times \mathcal{B}_3$	product of smooth toric Fano varieties
(27)	$D_{15}, S_1 \times \mathbb{P}^2$	product of smooth toric Fano varieties
(28)	D_{16}	collection from (47)
(29)	D_{17}	collection from (114)
(30)	D_{18}	collection from (100)
(31)	D_{19}	collection from (114)
(32)	G_1	collection from (81)
(33)	G_2	collection from (75)
(34)	G_3	collection from (82)
(35)	G_4	collection from (80)
(36)	G_5	collection from (82)
(37)	G_6	collection from (114)
(38)	H_1	collection from (100)
(39)	H_2	collection from (101)
(40)	H_3	collection from (100)
(41)	H_4	collection from (109)
(42)	H_5	collection from (109)
(43)	H_6	collection from (101)
(44)	H_7	collection from (100)
(45)	$H_8, S_2 \times \mathbb{P}^2$	product of smooth toric Fano varieties
(46)	H_9	collection from (109)
(47)	H_{10}	Non-maximal. $\mathcal{L} \subset \mathcal{D}_m \cup \mathcal{D}(\omega_X)_m$. Generation: <i>Method 2</i>
(48)	L_1	collection from (108)
(49)	L_2	collection from (108)
(50)	L_3	collection from (109)
(51)	L_4	collection from (109)
(52)	$L_5, \mathbb{P}^1 \times \mathcal{C}_1$	product of smooth toric Fano varieties
(53)	$L_6, \mathbb{P}^1 \times \mathcal{C}_2$	product of smooth toric Fano varieties
(54)	$L_7, S_1 \times S_1$	product of smooth toric Fano varieties
(55)	$L_8, \mathbb{P}^1 \times \mathbb{P}^1 \times \mathbb{P}^1 \times \mathbb{P}^1$	product of smooth toric Fano varieties
(56)	$L_9, S_1 \times \mathbb{P}^1 \times \mathbb{P}^1$	product of smooth toric Fano varieties

(57)	L_{10}	collection from (114)
(58)	$L_{11}, \mathbb{P}^1 \times \mathcal{C}_5$	product of smooth toric Fano varieties
(59)	L_{12}	collection from (114)
(60)	L_{13}	collection from (115)
(61)	I_1	Maximal variety. $\mathcal{L} \subset \mathfrak{D}_m$. Generation: <i>Method 1</i>
(62)	I_2	Maximal variety. $\mathcal{L} \subset \mathfrak{D}_m$. Generation: <i>Method 1</i>
(63)	I_3	Maximal variety. $\mathcal{L} \subset \mathfrak{D}_m$. Generation: <i>Method 1</i>
(64)	I_4	Maximal variety. $\mathcal{L} \subset \mathfrak{D}_m$. Generation: <i>Method 1</i>
(65)	I_5	Maximal variety. $\mathcal{L} \subset \mathfrak{D}_m$. Generation: <i>Method 2</i>
(66)	I_6	collection from (114)
(67)	$I_7, \mathbb{P}^1 \times \mathcal{D}_1$	Maximal, product of smooth toric Fano varieties
(68)	I_8	Maximal variety. $\mathcal{L} \subset \mathfrak{D}_m \cup \mathfrak{D}(\omega_X)_m$. Generation: <i>Method 2</i>
(69)	I_9	collection from (115)
(70)	I_{10}	collection from (110)
(71)	I_{11}	collection from (107)
(72)	I_{12}	collection from (114)
(73)	$I_{13}, \mathbb{P}^1 \times \mathcal{D}_2$	product of smooth toric Fano varieties
(74)	I_{14}	collection from (109)
(75)	I_{15}	Maximal variety. $\mathcal{L} \subset \mathfrak{D}_m$. Generation: <i>Method 2</i>
(76)	M_1	Non-maximal. $\mathcal{L} \not\subset \mathfrak{D}_m \cup \mathfrak{D}(\omega_X)_m$. Generation: <i>Method 2</i>
(77)	M_2	Non-maximal. $\mathcal{L} \not\subset \mathfrak{D}_m \cup \mathfrak{D}(\omega_X)_m$. Generation: <i>Method 1</i>
(78)	M_3	Non-maximal. $\mathcal{L} \subset \mathfrak{D}_m \cup \mathfrak{D}(\omega_X)_m$. Generation: <i>Method 2</i>
(79)	M_4	collection from (106)
(80)	M_5	Maximal variety. $\mathcal{L} \subset \mathfrak{D}_m \cup \mathfrak{D}(\omega_X)_m$. Generation: <i>Method 2</i>
(81)	J_1	Maximal variety. $\mathcal{L} \subset \mathfrak{D}_m \cup \mathfrak{D}(\omega_X)_m$. Generation: <i>Method 2</i>
(82)	J_2	Maximal variety. $\mathcal{L} \subset \mathfrak{D}_m \cup \mathfrak{D}(\omega_X)_m$. Generation: <i>Method 2</i>
(83)	Q_1	collection from (108)
(84)	Q_2	collection from (109)
(85)	Q_3	collection from (108)
(86)	Q_4	collection from (110)
(87)	Q_5	collection from (109)
(88)	$Q_6, \mathbb{P}^1 \times \mathcal{E}_1$	product of smooth toric Fano varieties
(89)	Q_7	collection from (114)
(90)	$Q_8, \mathbb{P}^1 \times \mathcal{E}_2$	product of smooth toric Fano varieties
(91)	Q_9	collection from (110)

(92)	$Q_{10}, S_1 \times S_2$	product of smooth toric Fano varieties
(93)	$Q_{11}, \mathbb{P}^1 \times \mathbb{P}^1 \times S_2$	product of smooth toric Fano varieties
(94)	Q_{12}	collection from (114)
(95)	Q_{13}	collection from (108)
(96)	Q_{14}	collection from (109)
(97)	$Q_{15}, \mathbb{P}^1 \times \mathcal{E}_4$	product of smooth toric Fano varieties
(98)	Q_{16}	collection from (115)
(99)	Q_{17}	collection from (114)
(100)	K_1	Maximal variety. $\mathcal{L} \subset \mathfrak{D}_m$. Generation: <i>Method 2</i>
(101)	K_2	Maximal variety. $\mathcal{L} \subset \mathfrak{D}_m$. Generation: <i>Method 2</i>
(102)	K_3	collection from (109)
(103)	$K_4, \mathbb{P}^2 \times S_3$	product of smooth toric Fano varieties
(104)	R_1	Maximal variety. $\mathcal{L} \not\subset \mathfrak{D}_m \cup \mathfrak{D}(\omega_X)_m$. Generation: <i>Method 2</i>
(105)	R_2	Maximal variety. $\mathcal{L} \not\subset \mathfrak{D}_m \cup \mathfrak{D}(\omega_X)_m$. Generation: <i>Method 1</i>
(106)	R_3	Maximal variety. See Remark (7.6). Generation: <i>Method 2</i>
(107)		Maximal variety. $\mathcal{L} \subset \mathfrak{D}_m$. Generation: <i>Method 1</i>
(108)	U_1	Maximal variety. $\mathcal{L} = \mathfrak{D}_m$. Generation: <i>Method 1</i>
(109)	U_2	Maximal variety. $\mathcal{L} = \mathfrak{D}_m$. Generation: <i>Method 2</i>
(110)	U_3	Maximal variety. $\mathcal{L} = \mathfrak{D}_m$. Generation: <i>Method 1</i>
(111)	$U_4, S_1 \times S_3$	product of smooth toric Fano varieties
(112)	$U_5, \mathbb{P}^1 \times PP^1 \times S_3$	product of smooth toric Fano varieties
(113)	$U_6, \mathbb{P}^1 \times \mathcal{F}_2$	Maximal, product of smooth toric Fano varieties
(114)	U_7	Maximal variety. $\mathcal{L} = \mathfrak{D}_m$. Generation: <i>Method 2</i>
(115)	U_8	Maximal variety. $\mathcal{L} = \mathfrak{D}_m$. Generation: <i>Method 2</i>
(116)	\tilde{V}^4	Maximal variety. $\mathcal{L} \not\subset \mathfrak{D}_m \cup \mathfrak{D}(\omega_X)_m$. Generation: <i>Method 2</i>
(117)	V^4	Maximal variety. $\mathcal{L} \not\subset \mathfrak{D}_m \cup \mathfrak{D}(\omega_X)_m$. Generation: <i>Method 2</i>
(118)	$S_2 \times S_2$	product of smooth toric Fano varieties
(119)	$S_2 \times S_3$	product of smooth toric Fano varieties
(120)	$S_3 \times S_3$	Maximal, product of smooth toric Fano varieties
(121)	Z_1	collection from (123)
(122)	Z_2	Maximal variety. $\mathcal{L} \subset \mathfrak{D}_m \cup \mathfrak{D}(\omega_X)_m$. Generation: <i>Method 1</i>
(123)	W	Maximal variety. $\mathcal{L} \subset \mathfrak{D}_m \cup \mathfrak{D}(\omega_X)_m$. Generation: <i>Method 1</i>

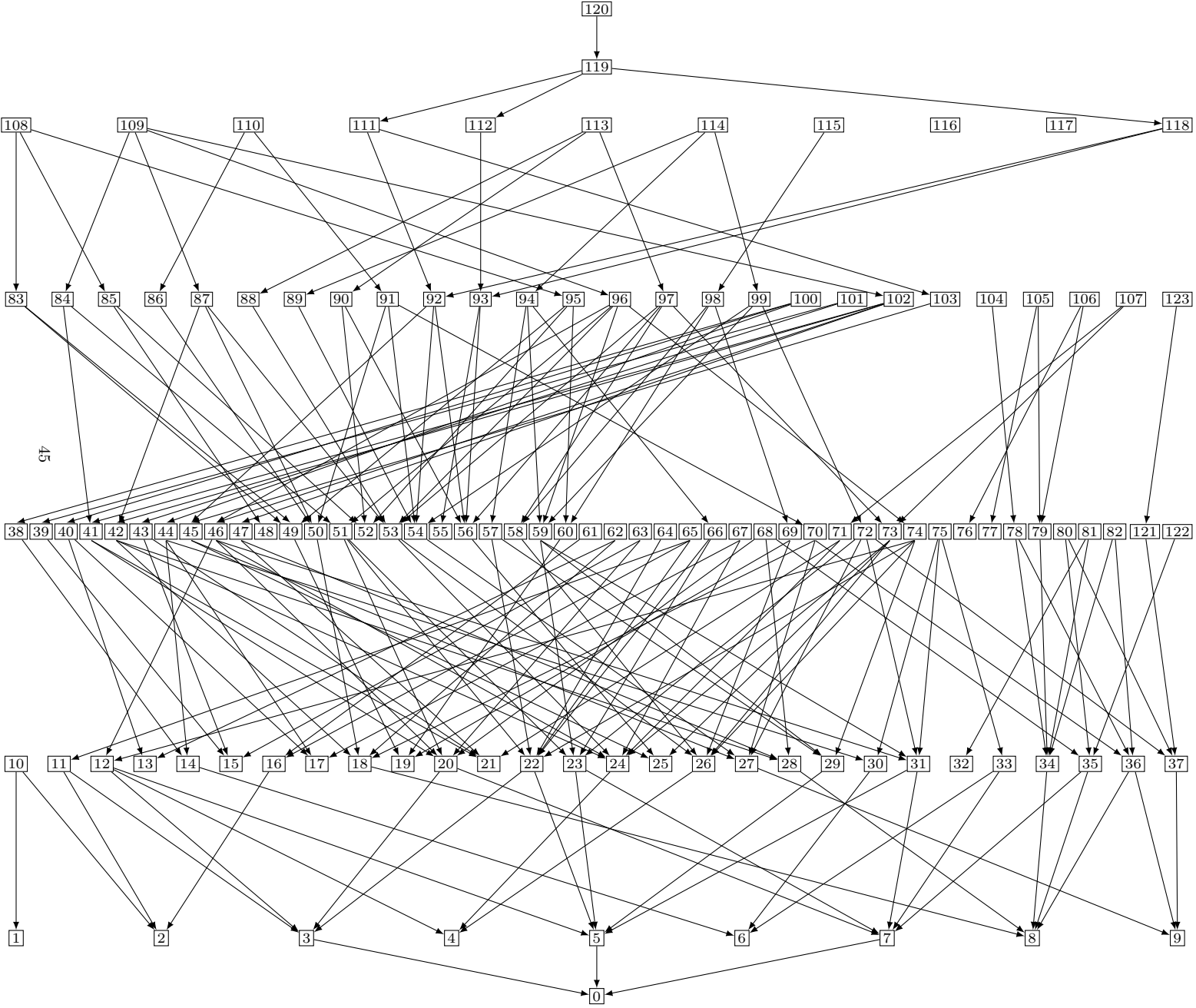


FIGURE 5. The torus-invariant divisorial contractions between the smooth toric Fano fourfolds

9. APPENDIX B

The two examples below prove that the non-nef collections of line bundles on the smooth toric Fano fourfolds M_1 and V^4 are full strong exceptional, using *method 2*.

Example 9.1. Let $X = M_1$ be the 76th smooth toric Fano fourfold. The primitive generators for the rays of X are

$$u_0 = \begin{bmatrix} 1 \\ 0 \\ 0 \\ 0 \end{bmatrix}, u_1 = \begin{bmatrix} 0 \\ 1 \\ 0 \\ 0 \end{bmatrix}, u_2 = \begin{bmatrix} -1 \\ -1 \\ 1 \\ 1 \end{bmatrix}, u_3 = \begin{bmatrix} 0 \\ 0 \\ 1 \\ 0 \end{bmatrix}, u_4 = \begin{bmatrix} 0 \\ 0 \\ -1 \\ 0 \end{bmatrix}, u_5 = \begin{bmatrix} 0 \\ 0 \\ 0 \\ 1 \end{bmatrix}, u_6 = \begin{bmatrix} 0 \\ 0 \\ 0 \\ -1 \end{bmatrix}, u_7 = \begin{bmatrix} -1 \\ 0 \\ 0 \\ 0 \end{bmatrix}$$

The collection of line bundles on X

$$\mathcal{L} = \left\{ \begin{array}{l} \mathcal{O}_X(kD_2 + iD_6 + jD_7), \mathcal{O}_X(jD_2 + D_4 + iD_6 + D_7), \\ \mathcal{O}_X((k-1)D_2 + (j-1)D_4 + (1+i-j)D_6), \\ \mathcal{O}_X((k+1)D_4 + (k+1)D_6 + (k+1)D_7) \end{array} \middle| \begin{array}{l} 0 \leq i \leq j \leq 1 \\ 0 \leq k \leq 1 \end{array} \right\}$$

is strong exceptional and contains the non-nef line bundles $\{\mathcal{O}_X(-D_2 + D_6), \mathcal{O}_X(-D_2 + D_4), \mathcal{O}_X(-D_2 + D_4 + D_6), \mathcal{O}_X(D_7), \mathcal{O}_X(D_6 + D_7), \mathcal{O}_X(D_4 + D_7), \mathcal{O}_X(D_2)\}$. We obtain the chain complex of $\text{Pic}(X \times X)$ -graded $(S_{X \times X})$ -modules

$$0 \rightarrow (S_{X \times X})^{10} \xrightarrow{d_4} (S_{X \times X})^{43} \xrightarrow{d_3} (S_{X \times X})^{76} \xrightarrow{d_2} (S_{X \times X})^{60} \xrightarrow{d_1} (S_{X \times X})^{17}$$

from this collection, which is exact up to saturation by B_X [PN15, GS]. The table in Figure 6 lists the arrows in the quiver of sections Q corresponding to \mathcal{L} .

As $|Q_0| = 17$ and $|\Sigma(1)| = 8$, we let $\{\mathbf{e}_i \mid i \in Q_0\} \cup \{\mathbf{e}_\rho \mid \rho \in \Sigma(1)\}$ be the standard basis of \mathbb{Z}^{17+8} and define the lattice points $c_a := \mathbf{e}_{\mathbf{h}(a)} - \mathbf{e}_{\mathbf{t}(a)} + \mathbf{e}_{\text{div}(a)}$ for each arrow $a \in Q_1$. The map π is then given by the matrix $C: \mathbb{Z}^{60} \rightarrow \mathbb{Z}^{17+8}$ where the columns of C are given by $c_a, a \in Q_1$, and the semigroup $\mathbb{N}(Q)$ is given by the lattice points generated by positive linear combinations of the c_a . Our choice of bases for $\text{Pic}(X)$ and $\text{Wt}(Q)$ imply that the lattice maps deg and pic are given by the matrices:

$$\text{deg}: \begin{bmatrix} 1 & 1 & 1 & -1 & 0 & -1 & 0 & 0 \\ 0 & 0 & 0 & 1 & 1 & 0 & 0 & 0 \\ 0 & 0 & 0 & 0 & 0 & 1 & 1 & 0 \\ 1 & 0 & 0 & 0 & 0 & 0 & 0 & 1 \end{bmatrix}, \quad \text{pic}: \begin{bmatrix} 0 & -1 & -1 & 0 & 1 & 0 & 0 & 1 & -1 & 0 & 0 & 0 & 1 & 1 & 0 & 1 & 0 \\ 0 & 0 & 1 & 0 & 0 & 0 & 1 & 0 & 1 & 0 & 1 & 1 & 0 & 1 & 1 & 1 & 2 \\ 0 & 1 & 0 & 0 & 0 & 1 & 0 & 0 & 1 & 1 & 0 & 0 & 1 & 1 & 0 & 1 & 1 & 2 \\ 0 & 0 & 0 & 1 & 0 & 0 & 0 & 1 & 0 & 1 & 1 & 0 & 0 & 1 & 0 & 1 & 1 & 1 & 2 \end{bmatrix}$$

Fix θ to be the weight that assigns -2 to the vertex 0 in the quiver, 1 to the vertices 15 and 16 and 0 to every other vertex. We note that $\text{pic}(\theta)$ is the ample line bundle $L = \mathcal{O}_X(D_2 + 3D_4 + 3D_6 + 3D_7)$. For this choice of θ , not only does $\pi_2(\mathbb{N}(Q) \cap (\pi_1)^{-1}(\theta))$ surject onto $\mathbb{N}^{\Sigma(1)} \cap \text{deg}^{-1}(L)$, but Y_θ is isomorphic to X . As $\theta_i \geq 0$ for $i > 0$, θ is in the same closed GIT-chamber for Y_θ as ϑ , and so they are in the same open chamber if θ is generic. To check that θ is generic, it is enough to check that for each torus-invariant point on Y_θ , the corresponding representation is θ -stable. There are 17 maximal cones in the fan for Y_θ – recall that each maximal cone corresponds to a torus-invariant point.

a	$\mathbf{t}(a), \mathbf{h}(a)$	$\text{div}(a)$
1	0,1	x_5
2	0,2	x_3
3	0,3	x_7
4	0,4	x_1
5	0,4	x_2
6	0,5	x_6
7	0,6	x_4
8	0,7	x_0
9	1,5	x_1
10	1,5	x_2
11	1,8	x_4
12	1,9	x_0
13	2,6	x_1
14	2,6	x_2
15	2,8	x_6

16	2,10	x_0
17	3,7	x_1
18	3,7	x_2
19	3,9	x_6
20	3,10	x_4
21	4,5	x_5
22	4,6	x_3
23	4,7	x_7
24	5,8	x_3
25	5,9	x_7
26	5,11	x_4
27	5,12	x_0
28	6,8	x_5
29	6,10	x_7
30	6,11	x_6

31	6,13	x_0
32	7,9	x_5
33	7,10	x_3
34	7,12	x_6
35	7,13	x_4
36	8,11	x_1
37	8,11	x_2
38	8,14	x_0
39	9,12	x_1
40	9,12	x_2
41	9,14	x_4
42	10,13	x_1
43	10,13	x_2
44	10,14	x_6
45	11,14	x_7

46	11,15	x_0
47	12,14	x_3
48	12,15	x_4
49	13,14	x_5
50	13,15	x_6
51	14,15	x_1
52	14,15	x_2
53	14,16	$x_0x_4x_5$
54	14,16	$x_0x_3x_6$
55	14,16	$x_4x_6x_7$
56	15,16	$x_0x_3x_5$
57	15,16	$x_1x_3x_5x_7$
58	15,16	$x_2x_3x_5x_7$
59	15,16	$x_4x_5x_7$
60	15,16	$x_3x_6x_7$

FIGURE 6. The arrows in a quiver of sections for the smooth toric Fano fourfold M_1

For each quiver that describes a torus-invariant representation in Y_θ , we need to specify a path from the vertex 0 to vertices 15 and 16, and a path from every other vertex to the vertex 15 or 16. Examples of these paths are given in Figure 7 and are computed in [PNa]. As a result, every torus-invariant θ -semistable representation of Q is θ -stable, so θ is generic and the collection \mathcal{L} on X is full by Propositions 5.5, 5.3 and 6.1.

Example 9.2. Let $X = V^4$ be the 117th smooth toric Fano fourfold. The primitive generators are

$$u_0 = \begin{bmatrix} 1 \\ 0 \\ 0 \\ 0 \end{bmatrix}, u_1 = \begin{bmatrix} -1 \\ 0 \\ 0 \\ 0 \end{bmatrix}, u_2 = \begin{bmatrix} 0 \\ 1 \\ 0 \\ 0 \end{bmatrix}, u_3 = \begin{bmatrix} 0 \\ -1 \\ 0 \\ 0 \end{bmatrix}, u_4 = \begin{bmatrix} 0 \\ 0 \\ 1 \\ 0 \end{bmatrix}, u_5 = \begin{bmatrix} 0 \\ 0 \\ -1 \\ 0 \end{bmatrix}, u_6 = \begin{bmatrix} 0 \\ 0 \\ 0 \\ 1 \end{bmatrix}, u_7 = \begin{bmatrix} 0 \\ 0 \\ 0 \\ -1 \end{bmatrix},$$

$$u_8 = \begin{bmatrix} 1 \\ 1 \\ 1 \\ 1 \end{bmatrix}$$

The strong exceptional collection of line bundles \mathcal{L} is given by the columns of the matrix pic below, where we choose the divisors $\{D_1, D_3, D_4, D_6, D_8\}$ as a basis of $\text{Pic}(X)$. This collection contains the non-nef line bundle $\mathcal{O}_X(D_8)$. We obtain the chain complex of $\text{Pic}(X \times X)$ -graded $(S_{X \times X})$ -modules

$$0 \rightarrow (S_{X \times X})^{18} \xrightarrow{d_4} (S_{X \times X})^{78} \xrightarrow{d_3} (S_{X \times X})^{124} \xrightarrow{d_2} (S_{X \times X})^{87} \xrightarrow{d_1} (S_{X \times X})^{23}$$

Torus-Invariant Point	$(0 \rightarrow 15, \text{ via } \{i_1, \dots, i_{j_1}\}),$ $(0 \rightarrow 16, \text{ via } \{i_1, \dots, i_{j_2}\})$	(vertex $i, i \rightarrow 15$ or $i \rightarrow 16,$ via vertices $\{i_1, \dots, i_{j_3}\}$)
$\{\rho_0, \rho_1, \rho_3, \rho_5\}$	$(a_3a_{18}a_{34}a_{48}, \{3, 7, 12\}),$ $(a_3a_{19}a_{41}a_{55}, \{3, 9, 14\})$	$(1, a_{10}a_{25}a_{40}a_{48}, \{5, 9, 12\}), (2, a_{14}a_{29}a_{43}a_{50}, \{6, 10, 13\}),$ $(4, a_{23}a_{34}a_{48}, \{7, 12\}), (8, a_{37}a_{45}a_{52}, \{11, 14\})$
$\{\rho_0, \rho_1, \rho_3, \rho_6\}$	$(a_1a_{10}a_{25}a_{40}a_{48}a_{59},$ $\{1, 5, 9, 12, 15\})$	$(2, a_{14}a_{28}a_{37}a_{45}a_{52}, \{6, 8, 11, 14\}), (3, a_{18}a_{32}a_{40}a_{48}, \{7, 9,$ $12\}), (4, a_{21}a_{25}a_{40}a_{48}, \{5, 9, 12\}), (10, a_{43}a_{49}a_{52}, \{13, 14\})$
$\{\rho_0, \rho_1, \rho_4, \rho_5\}$	$(0, a_2a_{14}a_{29}a_{43}a_{50}a_{60},$ $\{2, 6, 10, 13, 15\})$	$(1, a_{10}a_{24}a_{37}a_{45}a_{52}, \{5, 8, 11, 14\}), (3, a_{18}a_{33}a_{43}a_{50}, \{7, 10,$ $13\}), (4, a_{22}a_{29}a_{43}a_{50}, \{6, 10, 13\}), (9, a_{40}a_{47}a_{52}, \{12, 14\})$
$\{\rho_0, \rho_1, \rho_4, \rho_6\}$	$(0, a_1a_{10}a_{24}a_{37}a_{45}a_{52}a_{58},$ $\{1, 5, 8, 11, 14, 15\})$	$(2, a_{14}a_{29}a_{43}a_{49}a_{52}, \{6, 10, 13, 14\}), (3, a_{18}a_{32}a_{40}a_{47}a_{52},$ $\{7, 9, 12, 14\}), (4, a_{21}a_{24}a_{37}a_{45}a_{52}), \{5, 8, 11, 14\})$
$\{\rho_0, \rho_2, \rho_3, \rho_5\}$	$(0, a_3a_{17}a_{34}a_{48}, \{3, 7, 12\}),$ $(0, a_3a_{19}a_{41}a_{55}, \{3, 9, 14\})$	$(1, a_9a_{25}a_{39}a_{48}, \{5, 9, 12\}), (2, a_{13}a_{29}a_{42}a_{50}, \{6, 10, 13\}),$ $(4, a_{23}a_{34}a_{48}, \{7, 12\}), (8, a_{36}a_{45}a_{51}, \{11, 14\})$
\vdots	\vdots	\vdots
$\{\rho_2, \rho_4, \rho_6, \rho_7\}$	$(0, a_1a_9a_{24}a_{36}a_{46}a_{56},$ $\{1, 5, 8, 11, 15\})$	$(2, a_{13}a_{28}a_{36}a_{46}, \{6, 8, 11\}), (3, a_{17}a_{32}a_{39}a_{47}a_{51}, \{7, 9, 12,$ $14\}), (4, a_{21}a_{24}a_{36}a_{46}, \{5, 8, 11\}), (10, a_{42}a_{49}a_{51}, \{13, 14\})$

FIGURE 7. Paths in the quiver associated to each torus-invariant representation in $Y_\theta \cong M_1$

from this collection, which is exact up to saturation by B_X [PN15, GS]. The lattice maps deg and pic are given by the matrices:

$$\text{deg}: \begin{bmatrix} 1 & 1 & 0 & 0 & 0 & 0 & 0 & 0 \\ 0 & 0 & 1 & 1 & 0 & 0 & 0 & 0 \\ 0 & 0 & 0 & 0 & 1 & 1 & 0 & 0 \\ 0 & 0 & 0 & 0 & 0 & 0 & 1 & 1 \\ -1 & 0 & -1 & 0 & 0 & 1 & 0 & 1 \end{bmatrix}, \quad \text{pic}: \begin{bmatrix} 0 & 0 & 1 & 1 & 1 & 1 & 1 & 2 & 1 & 1 & 1 & 2 & 2 & 2 & 1 & 2 & 2 & 2 & 1 & 2 & 2 & 2 & 2 \\ 0 & 0 & 1 & 1 & 1 & 1 & 2 & 1 & 1 & 2 & 2 & 1 & 1 & 2 & 2 & 1 & 2 & 2 & 1 & 2 & 2 & 1 & 2 & 2 \\ 0 & 0 & 1 & 1 & 1 & 2 & 1 & 1 & 2 & 1 & 2 & 1 & 2 & 1 & 2 & 2 & 1 & 2 & 2 & 1 & 2 & 2 & 1 & 2 \\ 0 & 0 & 1 & 1 & 2 & 1 & 1 & 2 & 2 & 1 & 2 & 1 & 1 & 2 & 2 & 2 & 1 & 2 & 2 & 1 & 2 & 2 & 1 & 2 \\ 0 & 1 & 0 & 1 & 1 & 1 & 0 & 0 & 2 & 1 & 1 & 1 & 1 & 0 & 1 & 1 & 0 & 0 & 2 & 2 & 1 & 1 & 0 \end{bmatrix}$$

Fix θ to be the weight that assigns -9 to vertex 0 , 1 to vertices $\{14, 15, \dots, 22\}$ and 0 to all other vertices. We note that $\text{pic}(\theta)$ is the ample line bundle $L = \mathcal{O}_X(16D_1 + 16D_3 + 16D_4 + 16D_6 + 8D_8)$. For this choice of θ , not only does $\pi_2(\mathbb{N}(Q) \cap (\pi_1)^{-1}(\theta))$ surject onto $\mathbb{N}^{\Sigma(1)} \cap \text{deg}^{-1}(L)$, but Y_θ is isomorphic to X . As $\theta_i \geq 0$ for $i > 0$, θ is in the same closed GIT-chamber for Y_θ as ϑ and so they are in the same open chamber if θ is generic. For each quiver that describes a torus-invariant representation in Y_θ , we need to specify paths from the vertex 0 to the vertices $\{14, 15, \dots, 22\}$, and a path from every other vertex to one of the vertices in $\{14, 15, \dots, 22\}$ to show that θ is generic. These paths, as well as the other necessary computations for this example are found in [PNa]. As a result, every torus-invariant θ -semistable representation of Q is θ -stable, so θ is generic and the collection \mathcal{L} on X is full by Propositions 5.5, 5.3 and 6.1.

REFERENCES

- [Bae88] Dagmar Baer. Tilting sheaves in representation theory of algebras. *Manuscripta Math.*, 60(3):323–347, 1988.
- [Bat82a] V. V. Batyrev. Boundedness of the degree of multidimensional toric Fano varieties. *Vestnik Moskov. Univ. Ser. I Mat. Mekh.*, (1):22–27, 76–77, 1982.
- [Bat82b] V. V. Batyrev. Toroidal fano 3-folds. *Math. USSR-Izv.*, 19:13–25, 1982.
- [Bat99] V. V. Batyrev. On the classification of toric Fano 4-folds. *J. Math. Sci. (New York)*, 94(1):1021–1050, 1999. Algebraic geometry, 9.
- [BCQ13] R. Bocklandt, A. Craw, and A. Quintero Velez. Geometric Reid’s recipe for dimer models. Available as a preprint at <http://arxiv.org/abs/1305.0156>, 2013.
- [Beĭ78] A. A. Beĭlinson. Coherent sheaves on \mathbf{P}^n and problems in linear algebra. *Funktsional. Anal. i Prilozhen.*, 12(3):68–69, 1978.
- [Bon90] A. I. Bondal. Helices, representations of quivers and Koszul algebras. In *Helices and vector bundles*, volume 148 of *London Math. Soc. Lecture Note Ser.*, pages 75–95. Cambridge Univ. Press, Cambridge, 1990.
- [Bon06] Alexey Bondal. Derived categories of toric varieties. In *Convex and Algebraic geometry, Oberwolfach conference reports, EMS Publishing House*, volume 3, pages 284–286, 2006.
- [BS10] Tom Bridgeland and David Stern. Helices on del Pezzo surfaces and tilting Calabi-Yau algebras. *Adv. Math.*, 224(4):1672–1716, 2010.
- [BT09] Alessandro Bernardi and Sofia Tirabassi. Derived categories of toric Fano 3-folds via the Frobenius morphism. *Matematiche (Catania)*, 64(2):117–154, 2009.
- [CLS11] David A. Cox, John B. Little, and Henry K. Schenck. *Toric varieties*, volume 124 of *Graduate Studies in Mathematics*. American Mathematical Society, Providence, RI, 2011.
- [CMR04] L. Costa and R. M. Miró-Roig. Tilting sheaves on toric varieties. *Math. Z.*, 248(4):849–865, 2004.
- [CMT07] Alastair Craw, Diane Maclagan, and Rekha R. Thomas. Moduli of McKay quiver representations. I. The coherent component. *Proc. Lond. Math. Soc. (3)*, 95(1):179–198, 2007.
- [Cox95] David A. Cox. The homogeneous coordinate ring of a toric variety. *J. Algebraic Geom.*, 4(1):17–50, 1995.
- [CQV12] Alastair Craw and Alexander Quintero Vélez. Cellular resolutions of noncommutative toric algebras from superpotentials. *Adv. Math.*, 229(3):1516–1554, 2012.
- [CS08] Alastair Craw and Gregory G. Smith. Projective toric varieties as fine moduli spaces of quiver representations. *Amer. J. Math.*, 130(6):1509–1534, 2008.
- [DLM09] Arijit Dey, Michał Lason, and Mateusz Michałek. Derived category of toric varieties with Picard number three. *Matematiche (Catania)*, 64(2):99–116, 2009.
- [Efi10] Alexander I. Efimov. Maximal lengths of exceptional collections of line bundles. Available as a preprint at <http://arxiv.org/pdf/1010.3755v2.pdf>, 2010.
- [EMS00] David Eisenbud, Mircea Mustață, and Mike Stillman. Cohomology on toric varieties and local cohomology with monomial supports. *J. Symbolic Comput.*, 29(4-5):583–600, 2000. Symbolic computation in algebra, analysis, and geometry (Berkeley, CA, 1998).
- [Ful93] William Fulton. *Introduction to toric varieties*, volume 131 of *Annals of Mathematics Studies*. Princeton University Press, Princeton, NJ, 1993. The William H. Roever Lectures in Geometry.
- [GS] Daniel R. Grayson and Michael E. Stillman. Macaulay2, a software system for research in algebraic geometry. Available at <http://www.math.uiuc.edu/Macaulay2/>.

- [Hil98] Lutz Hille. Toric quiver varieties. In *Algebras and modules, II (Geiranger, 1996)*, volume 24 of *CMS Conf. Proc.*, pages 311–325. Amer. Math. Soc., Providence, RI, 1998.
- [HP06] Lutz Hille and Markus Perling. A counterexample to King’s conjecture. *Compos. Math.*, 142(6):1507–1521, 2006.
- [Huy06] D. Huybrechts. *Fourier-Mukai transforms in algebraic geometry*. Oxford Mathematical Monographs. The Clarendon Press, Oxford University Press, Oxford, 2006.
- [Kaw06] Yujiro Kawamata. Derived categories of toric varieties. *Michigan Math. J.*, 54(3):517–535, 2006.
- [Kin94] A. D. King. Moduli of representations of finite-dimensional algebras. *Quart. J. Math. Oxford Ser. (2)*, 45(180):515–530, 1994.
- [Kin97] Alastair King. Tilting bundles on some rational surfaces. Available as a preprint at <http://www.maths.bath.ac.uk/~masadk/papers>, 1997.
- [KN09] Maximilian Kreuzer and Benjamin Nill. Classification of toric Fano 5-folds. *Adv. Geom.*, 9(1):85–97, 2009.
- [LM11] Michał Lasoń and Mateusz Michałek. On the full, strongly exceptional collections on toric varieties with Picard number three. *Collect. Math.*, 62(3):275–296, 2011.
- [Øb07] M. Øbro. An algorithm for the classification of smooth Fano polytopes. *ArXiv e-prints*, April 2007.
- [Oda88] Tadao Oda. *Convex bodies and algebraic geometry*, volume 15 of *Ergebnisse der Mathematik und ihrer Grenzgebiete (3) [Results in Mathematics and Related Areas (3)]*. Springer-Verlag, Berlin, 1988. An introduction to the theory of toric varieties, Translated from the Japanese.
- [PNa] Nathan Prabhu-Naik. Generationtoricfanofourfolds - a file for macaulay2. Available at <http://people.bath.ac.uk/npn22/papers.html>.
- [PNb] Nathan Prabhu-Naik. Strongexccollsmaxfourfolds - a file for macaulay2. Available at <http://people.bath.ac.uk/npn22/papers.html>.
- [PN15] Nathan Prabhu-Naik. Quiverstoricvarieties: A package to construct quivers of sections on complete toric varieties. Available as a preprint at <http://arxiv.org/abs/1501.05861>, 2015.
- [S⁺15] W. A. Stein et al. *Sage Mathematics Software (Version 6.1.1)*. The Sage Development Team, 2015. <http://www.sagemath.org>.
- [Sat00] Hiroshi Sato. Toward the classification of higher-dimensional toric Fano varieties. *Tohoku Math. J. (2)*, 52(3):383–413, 2000.
- [Tho00] Jesper Funch Thomsen. Frobenius direct images of line bundles on toric varieties. *J. Algebra*, 226(2):865–874, 2000.
- [Ueh14] Hokuto Uehara. Exceptional collections on toric Fano threefolds and birational geometry. *Internat. J. Math.*, 25(7):1450072, 32, 2014.
- [VdB04] Michel Van den Bergh. Three-dimensional flops and noncommutative rings. *Duke Math. J.*, 122(3):423–455, 2004.
- [WW82] Keiichi Watanabe and Masayuki Watanabe. The classification of Fano 3-folds with torus embeddings. *Tokyo J. Math.*, 5(1):37–48, 1982.

NATHAN PRABHU-NAIK, DEPARTMENT OF MATHEMATICAL SCIENCES, UNIVERSITY OF BATH, CLAVERTON DOWN, BATH, SOMERSET, BA2 7AY, UNITED KINGDOM
E-mail address: N.Prabhu-Naik@bath.ac.uk