

Probabilistic Receiver Architecture Combining BP, MF, and EP for Multi-Signal Detection

Daniel J. Jakubisin, *Student Member, IEEE*,

R. Michael Buehrer, *Senior Member, IEEE*,

and Claudio R. C. M. da Silva, *Senior Member, IEEE*

Abstract

Receiver algorithms which combine belief propagation (BP) with the mean field (MF) approximation are well-suited for inference of both continuous and discrete random variables. In wireless scenarios involving detection of multiple signals, the standard construction of the combined BP-MF framework includes the equalization or multi-user detection functions within the MF subgraph. In this paper, we show that the MF approximation is not particularly effective for multi-signal detection. We develop a new factor graph construction for application of the BP-MF framework to problems involving the detection of multiple signals. We then develop a low-complexity variant to the proposed construction in which Gaussian BP is applied to the equalization factors. In this case, the factor graph of the joint probability distribution is divided into three subgraphs: (i) a MF subgraph comprised of the observation factors and channel estimation, (ii) a Gaussian BP subgraph which is applied to multi-signal detection, and (iii) a discrete BP subgraph which is applied to demodulation and decoding. Expectation propagation is used to approximate discrete distributions with a Gaussian distribution and links the discrete BP and Gaussian BP subgraphs. The result is a probabilistic receiver architecture with strong theoretical justification which can be applied to multi-signal detection.

Index Terms

Belief propagation, mean field approximation, expectation propagation, iterative receivers, parameter estimation, MIMO, multi-user detection, interference.

Part of this work has been submitted to the 2016 IEEE Global Commun. Conf.

D. J. Jakubisin and R. M. Buehrer are with Wireless@Virginia Tech, Bradley Dept. of Electrical and Computer Engineering, Virginia Polytechnic Institute and State University, Blacksburg, VA 24061 USA (e-mail: djj@vt.edu; buehrer@vt.edu).

C. R. C. M. da Silva is with Intel Corporation, Santa Clara, CA 95054 USA (e-mail: claudio.silva@ieee.org).

I. INTRODUCTION

Belief propagation (BP)—also known as the sum-product algorithm—is an effective inference tool for many of the tasks performed by a communications receiver. Notable examples include decoding, demodulation, and multi-user detection [1]–[3]. In the Bayesian framework, the data (e.g., symbols) and the parameters (e.g., channel coefficients) of the received signal are modeled as random variables. This results in a non-linear observation model which, along with the fact that the model variables are both continuous and discrete, makes exact application of BP infeasible. To handle the non-linear observation model, some of the work in the literature has approximated the BP messages by making Gaussian assumptions on the message distributions where needed [4], [5]. However, a more common approach has been to work with parameter estimates (rather than distributions) computed from “soft” symbol estimates. The expectation maximization (EM) algorithm was shown to provide theoretical justification for this approach where soft symbols estimates take the form of posterior expectations [6]–[9]. The trade-off with these approaches is the loss of probabilistic information. While the estimates (i.e., the messages) are computed taking into account the underlying probability distributions, they do not convey probabilistic information (e.g., our confidence in the estimate).

Variational message passing based on the MF approximation is another viable alternative to BP for estimation of continuous variables and for handling the non-linear observation model [10], [11]. In contrast to EM, messages computed according to the MF approximation *do* convey probabilistic information. In fact, EM is a special case of the MF approximation where the messages are given by Dirac delta functions [12]. A disadvantage of the MF approximation is that it is not suited for demodulation and decoding tasks where the factor nodes contain hard constraints. Recognizing that BP and the MF approximation have complementary strengths, receiver algorithms have been developed which combine these algorithms [12]–[14]. Riegler *et al.* provided a theoretical justification for the combined BP-MF message passing framework in [11]. The justification is based on the construction of a region-based free energy approximation analogous to that given for BP by Yedidia *et al.* in [15]. Specifically, in [11] it is shown that fixed points of the combined message passing algorithm correspond to stationary points of a constrained region-based free energy approximation. A notable result from Riegler’s work is that the BP-MF framework provides a consistent rule for when to pass *a posteriori* probabilities (posterior beliefs) and when to pass extrinsic messages based on the constructed model.

The combined message passing algorithm is particularly applicable to communications receivers. In this setting, BP is a generalization of iterative decoding of error correction codes and the MF approximation is applicable to the estimation of parameters such as coefficients of a wireless multipath channel. The combined message passing algorithm is demonstrated in [11] for channel estimation and equalization in an orthogonal frequency-division multiplexing (OFDM) system with demodulation and decoding. Subsequent works have applied the BP-MF framework to various channel estimation scenarios [16]–[23]. Combined BP-MF message passing has also been applied to multi-user code-division multiple access (CDMA) [12], multiple-input multiple-output (MIMO) systems [13], [14], [24], [25], co-channel interference [26], and frequency-domain equalization [27].¹ Joint channel estimation is included in the majority of these works as well [12]–[14], [24]–[26]. In scenarios involving detection of multiple signals, the standard application of the BP-MF framework is to include the equalization task within the MF subgraph.² As we will show in this paper, the MF approximation is a poor choice for detection tasks involving signal separation (i.e., signal models with interference-corrupted observations). In [14], the BP-MF framework was applied to MIMO-OFDM where multi-stream equalization is within the MF subgraph, but the algorithm relies upon a generous initialization point.

In this paper, we develop a receiver architecture for multi-signal detection based on the BP-MF framework. We show how factorization of the joint distribution into distinct observation factors and equalization factors greatly improves the detection capability of the structure. This is because the equalization function of the receiver is now chosen to be within the BP subgraph. A consequence of this factorization is that the computational complexity of BP-based equalization is exponential in the number of arriving signals components and the modulation order. This problem may be circumvented by approximating the domain of the symbol variables to be continuous random variables and the messages returned from BP-based demodulation and decoding as Gaussian distributions. These two approximations lead to Gaussian BP for the equalization factors which has a complexity independent of the modulation order and which is polynomial with respect to the number of interfering signal components. Thus, in the proposed receiver architecture the factor graph is divided into three subgraphs:

¹Some of these works pre-date [11] and have used the terms variational message passing / sum-product algorithm (VMP-SP) and divergence minimization (DM) to refer to algorithms that similarly combine BP and the MF approximation.

²We use the term equalization to refer to the un-doing of both multi-stream and multi-user interference.

- MF subgraph: applied to the observation factors and parameter estimation. The MF algorithm can also serve as a link to BP based estimation of parameters.
- Gaussian BP: when the complexity of discrete BP is too high, Gaussian BP is applied to multi-signal detection. The symbol variables are treated as continuous random variables.
- Discrete BP: the sum-product algorithm is applied to demodulation and decoding where the factor functions have hard constraints and the variables are discrete.

The question that remains is how to approximate the discrete distributions passed from the symbol variables to the equalization factors with Gaussian distributions. A common approach in the technical literature is to match the mean and variance of the approximating Gaussian distribution with those of the discrete extrinsic or posterior distribution [28]–[33]. However, expectation propagation (EP) [34], [35] provides a theoretically justified approach to computing Gaussian approximations which has been shown to outperform extrinsic and posterior approximations [36], [37]. Combined BP-EP has also been applied more broadly to OFDM channel estimation [38] and massive MIMO [39], but lacks the flexibility of the MF approximation (for example, to incorporate estimation of the noise variance [22]). In our receiver architecture, EP is used to link the Gaussian and discrete BP subgraphs. From these developments, we propose a probabilistic message passing receiver architecture for multi-signal detection which utilizes BP (both discrete and Gaussian), MF, and EP. Very recently a pre-print has appeared which combines BP, the MF approximation, and EP for the purpose of joint phase noise estimation and equalization of inter-symbol interference [40]. While [40] bears a conceptual similarity to our work, it differs substantially in that it does not handle multi-signal detection and assumes knowledge of the channel coefficients.

Our proposed receiver architecture is suitable for multi-signal detection in a variety of scenarios including co-channel interference (CCI), MIMO, multi-user MIMO, and non-orthogonal multiple access (NOMA). Reasonable complexity is maintained through the use of the MF approximation for the observation factors and Gaussian BP for the equalization factors. Parameter estimation may be included in the MF subgraph or, using MF as a link across the non-linear observation model, other algorithms such as BP or generalized approximate message passing (GAMP) [41] may be applied to estimation [22].

The contributions of our paper are summarized as follows:

- Development of a factor graph construction for applying BP-MF to multi-signal detection

- Development of a low-complexity variant of the proposed construction combining BP (both Gaussian and discrete), the MF approximation, and EP.
- Derivation of a new MF-based time-domain channel estimator for OFDM signals.

In presenting these contributions, the paper is organized as follows. We begin in Section II by providing background on the BP-MF framework and multi-signal system model. In Section III, we develop a factor graph construction which maintains the benefits of the MF approximation and BP in the case of the multi-signal model. In Section IV, we develop a receiver architecture based on MF, Gaussian BP, and Discrete BP. Although the architecture makes an approximation on the domain of the symbol variables, a solid theoretical foundation is maintained by applying EP to compute messages between the Gaussian and Discrete BP subgraphs. In Section V, we apply the developed receiver architecture to a MIMO-OFDM signal and in Section VI numerical results are provided that demonstrate the performance of the approach. Finally, the paper is concluded in Section VII.

Notation: Column vectors and matrices are denoted by boldface lowercase and uppercase letters, respectively. We use $(\cdot)^T$ and $(\cdot)^H$ to denote transpose and conjugate transpose, respectively. The multivariate complex Gaussian pdf of \mathbf{x} is denoted by $CN(\mathbf{x}; \mu, \Sigma)$ where μ is a vector of the means and Σ is the covariance matrix. The size of set \mathcal{A} is denoted by $|\mathcal{A}|$. The indicator function is denoted $I(\cdot)$ and returns a value of 1 when the argument is true and 0 otherwise. Messages passed along the edges of a factor graph are denoted by sans-serif fonts where $m_{f_a \rightarrow x}$ denotes the message from factor node f_a to variable node x and $n_{x \rightarrow f_a}$ denotes the message from variable node x to factor node f_a .

II. BACKGROUND

A. BP-MF Framework

Let $\chi = [\chi_1, \chi_2, \dots, \chi_K]^T$ be a vector of random variables and let x_i represent a possible realization of random variable χ_i . The joint probability distribution $p_{\chi_1, \chi_2, \dots, \chi_K}(x_1, x_2, \dots, x_K)$ is expressed using vector notation as $p_\chi(\mathbf{x})$. Throughout this work we use x_i to represent both the random variable and the possible realizations and write the joint distribution simply as $p(\mathbf{x})$. A region-based free energy is defined with respect to the factorization of the probability distribution. Consider the following factorization of the probability distribution

$$p(\mathbf{x}) = \prod_{a \in \mathcal{A}} f_a(\mathbf{x}_a), \quad (1)$$

where $\mathbf{x}_a \triangleq (x_i | i \in \mathcal{N}(a))^T$ with $\mathcal{N}(a)$ denoting variables which appear as arguments of factor a (i.e., neighbors in the resulting factor graph). The factor graph (equivalently, the factors) are partitioned into a MF subgraph \mathcal{A}_{MF} and a BP subgraph \mathcal{A}_{BP} where $\mathcal{A}_{\text{MF}} \cap \mathcal{A}_{\text{BP}} = \emptyset$ and $\mathcal{A} \triangleq \mathcal{A}_{\text{MF}} \cup \mathcal{A}_{\text{BP}}$. The variables associated with each portion of the graph are given by

$$\mathcal{I}_{\text{MF}} \triangleq \bigcup_{a \in \mathcal{A}_{\text{MF}}} \mathcal{N}(a) \quad \text{and} \quad \mathcal{I}_{\text{BP}} \triangleq \bigcup_{a \in \mathcal{A}_{\text{BP}}} \mathcal{N}(a),$$

respectively. From this definition, the region based free energy is constructed from the following regions [11]

- 1) a single MF region containing all factors and variables in the MF portion with a counting number of 1.
- 2) large region from the Bethe free energy $R_a \triangleq (\mathcal{N}(a), \{a\})$, with a counting number of 1,
- 3) small regions from the Bethe free energy $R_i \triangleq (\{i\}, \emptyset)$, with counting number $1 - |\mathcal{N}_{\text{BP}}(i)| - \mathbf{I}(i \in \mathcal{I}_{\text{MF}})$.

The region based free energy is given by [11]

$$\begin{aligned} F_{\text{BP, MF}} &= \sum_{a \in \mathcal{A}_{\text{BP}}} \sum_{\mathbf{x}_a} b_a(\mathbf{x}_a) \ln \frac{b_a(\mathbf{x}_a)}{f_a(\mathbf{x}_a)} \\ &\quad - \sum_{a \in \mathcal{A}_{\text{MF}}} \sum_{\mathbf{x}_a} \prod_{i \in \mathcal{N}(a)} b_i(x_i) \ln f_a(\mathbf{x}_a) \\ &\quad - \sum_{i \in \mathcal{I}} (|\mathcal{N}_{\text{BP}}(i)| - 1) \sum_{x_i} b_i(x_i) \ln b_i(x_i) \end{aligned} \quad (2)$$

along with constraints for the factorization of the MF portion beliefs, normalization constraints, and marginalization constraints as detailed in [11].

The combined BP-MF message passing rules are as follows. The messages from factor nodes to variable nodes within the MF subgraph are given by [11]

$$\mathbf{m}_{f_a \rightarrow x_i}^{\text{MF}}(x_i) = \exp \left(\sum_{\mathbf{x}_a \setminus x_i} \prod_{j \in \mathcal{N}(a) \setminus i} n_{x_j \rightarrow f_a}(x_j) \ln f_a(\mathbf{x}_a) \right) \quad (3)$$

for all $a \in \mathcal{A}_{\text{MF}}, i \in \mathcal{N}(a)$. The messages from factor nodes to variable nodes within the BP subgraph are given by [11]

$$\mathbf{m}_{f_a \rightarrow x_i}^{\text{BP}}(x_i) = \sum_{\mathbf{x}_a \setminus x_i} f_a(\mathbf{x}_a) \prod_{j \in \mathcal{N}(a) \setminus i} n_{x_j \rightarrow f_a}(x_j) \quad (4)$$

for all $a \in \mathcal{A}_{\text{BP}}, i \in \mathcal{N}(a)$. Finally, messages passed from variable nodes to factor nodes throughout the entire graph are given by [11]

$$n_{x_i \rightarrow f_a}(x_i) = \prod_{c \in \mathcal{N}_{\text{BP}}(i) \setminus a} \mathbf{m}_{f_c \rightarrow x_i}^{\text{BP}}(x_i) \prod_{c \in \mathcal{N}_{\text{MF}}(i)} \mathbf{m}_{f_c \rightarrow x_i}^{\text{MF}}(x_i) \quad (5)$$

for all $a \in \mathcal{A}, i \in \mathcal{N}(a)$ where $\mathcal{N}_{\text{BP}}(i) = \mathcal{N}(i) \cap \mathcal{A}_{\text{BP}}$ and $\mathcal{N}_{\text{MF}}(i) = \mathcal{N}(i) \cap \mathcal{A}_{\text{MF}}$. In (5), the messages to factor nodes in the BP subgraph are extrinsic messages (as denoted by the exclusion of i in the first product). On the other hand, the messages to factor nodes in the MF subgraph are posterior beliefs.

B. Exemplary Multi-Signal System Model

Consider the reception of N signals where column vector \mathbf{b}_i denotes the information bits corresponding to the i th signal. The information bits \mathbf{b}_i are encoded with an error correction code to produce a vector of coded bits \mathbf{c}_i and, subsequently, modulated using a digital phase-amplitude modulation. The resulting complex symbol sequence is denoted by $\mathbf{x}_i = [x_i(0), x_i(1), \dots, x_i(K-1)]^T$. The information bits, coded bits, and symbols for all signals are denoted by $\mathbf{B} = [\mathbf{b}_1, \dots, \mathbf{b}_N]$, $\mathbf{C} = [\mathbf{c}_1, \dots, \mathbf{c}_N]$, and $\mathbf{X} = [\mathbf{x}_1, \dots, \mathbf{x}_N]$, respectively.

The k th observation y_k is comprised of N interfering signal components $\mathbf{x}(k) = [x_1(k), \dots, x_N(k)]^T$ and white Gaussian noise as given by

$$y(k) = \sum_{n=1}^N h_n x_n(k) + w(k), \quad (6)$$

where $\mathbf{h} = [h_1, \dots, h_N]^T$ are the channel coefficients corresponding to the N signals and $w(k)$ are independent identically distributed (iid) circularly-symmetric complex Gaussian random variables with variance γ^{-1} . Let the vector of observations be denoted by $\mathbf{y} = [y(0), \dots, y(K-1)]^T$ and the symbols associated with the k th observation be denoted by $\mathbf{x}(k) = [x_1(k), \dots, x_N(k)]^T$. The joint distribution is factored as follows:

$$p(\mathbf{y}, \mathbf{X}, \mathbf{C}, \mathbf{B}, \mathbf{h}) = \prod_{k=0}^{K-1} \underbrace{p(y(k)|\mathbf{x}(k), \mathbf{h})}_{f_{y_k}} \left(\prod_{i=1}^N \underbrace{p(\mathbf{x}_i|\mathbf{c}_i)p(\mathbf{c}_i|\mathbf{b}_i)p(\mathbf{b}_i)}_{f_{c_i}} \right) \left(\prod_{i=1}^N \underbrace{p(h_i)}_{f_{h_i}} \right). \quad (7)$$

The factors $p(\mathbf{x}_i|\mathbf{c}_i)$ and $p(\mathbf{c}_i|\mathbf{b}_i)$ are hard constraints corresponding to the modulation and code constraints, respectively. Further factorization of these terms are available for common modulations and codes in the literature [3]. The factor graph of the joint distribution is shown in Fig. 1. This model is representative of interference corrupted observations due to co-channel interference or a non-orthogonal multiple access scheme. The developments presented with this model are applicable to other multi-signal or interference models.

The way in which the BP-MF framework is applied to the multi-signal scenario is determined by how the factor graph is partitioned into BP and MF subgraphs. The model of Fig. 1 shows

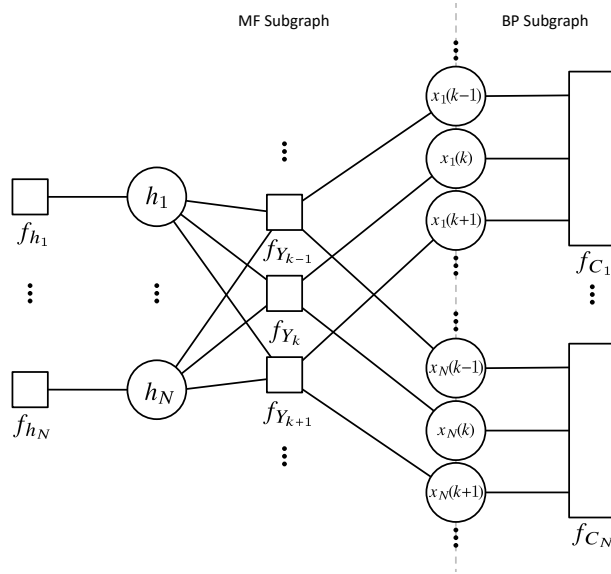


Fig. 1. Factor graph of (7) based on standard construction of BP-MF for multi-signal problems. In the graph, f_{h_i} labels the factor $p(h_i)$, f_{Y_k} labels the factor $p(y(k)|\mathbf{x}(k), \mathbf{h})$, and f_{C_i} labels the factors $p(\mathbf{x}_i|\mathbf{c}_i)p(\mathbf{c}_i|\mathbf{b}_i)p(\mathbf{b}_i)$.

the standard approach to factor graph construction and partitioning [14], [25]. The partitioning falls along the symbols variables as shown by the dashed line in Fig. 1. As a formal definition of this partitioning we have the following sets:

$$\mathcal{A}_{BP} = \{f_{C_i} | i \in [1 : N]\} \quad (8)$$

$$\mathcal{A}_{MF} = \{f_{Y_k} | k \in [0 : K - 1]\} \cup \{f_{h_n} | n \in [1 : N]\} \quad (9)$$

with the associated sets of variables given by

$$\mathcal{I}_{BP} = \{\mathbf{x}_1, \dots, \mathbf{x}_N\} \cup \{\mathbf{c}_1, \dots, \mathbf{c}_N\} \cup \{\mathbf{b}_1, \dots, \mathbf{b}_N\} \quad (10)$$

$$\mathcal{I}_{MF} = \{\mathbf{x}_1, \dots, \mathbf{x}_N\} \cup \{\mathbf{h}\}. \quad (11)$$

III. FACTOR GRAPH CONSTRUCTION FOR BP-MF

In this section, we develop a new factor graph construction for application of the BP-MF framework to multi-signal detection. We begin by showing the limitations of the standard approach. A summary of notation is provided in Table I for the parameters of the messages used in the following sections. The parameters of the messages have a subscript which identifies the associated variable and an arrow which identifies the associated message according to the direction it is passed in Figs. 2 and 3.

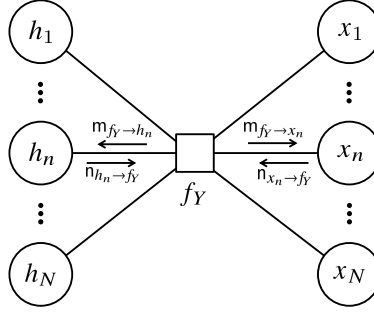


Fig. 2. Factor graph of a *typical* interference-corrupted observation model based on the standard BP-MF construction.

A. Standard BP-MF Application

Based on the standard approach to applying BP-MF to multi-signal models, a *typical* observation factor is shown in Fig. 2 as a point of reference for the following work. The reference to subscript k has been removed in order to simply the notation. The factor function for f_Y in Fig. 2 is the likelihood function which is given by

$$\begin{aligned} p(y|\mathbf{x}, \mathbf{h}) &= \frac{\gamma}{\pi} \exp\left(-\gamma \left| y - \sum_{n=1}^N h_n x_n \right|^2\right) \\ &\propto \exp\left(-\gamma \left(-2\Re \left\{ y \sum_{n=1}^N h_n^* x_n^* \right\} + \sum_{n_1=1}^N \sum_{n_2=1}^N h_{n_1} h_{n_2}^* x_{n_1} x_{n_2}^* \right)\right). \end{aligned} \quad (12)$$

According to the MF approximation, the messages from the observation factor to the channel coefficients are given by

$$\mathbf{m}_{f_Y \rightarrow h_n}(h_n) = \exp\left(\int \cdots \int \sum_{i=1}^N \sum_{x_i} \ln(p(y|\mathbf{x}, \mathbf{h})) n_{x_i \rightarrow f_Y}(x_i) \prod_{j \neq n} n_{h_j \rightarrow f_Y}(h_j) dh_j\right). \quad (13)$$

The MF rule is less complex than BP because the expectation is taken on the argument of the exponential function due to $p(y|\mathbf{x}, \mathbf{h})$ being in the exponential family. After performing the expectations the message is proportional to a complex Gaussian distribution as given by

$$\begin{aligned} \mathbf{m}_{f_Y \rightarrow h_n}(h_n) &\propto \exp\left(-\gamma \left(\bar{\rho}_{x_n} |h_n|^2 - 2\Re \left\{ h_n^* \bar{\mu}_{x_n} \left(y - \sum_{n' \neq n} \bar{\mu}_{h_{n'}} \bar{\mu}_{x_{n'}} \right) \right\} \right)\right) \\ &\propto \mathcal{CN}(h_n; \bar{\mu}_{h_n}, \bar{\sigma}_{h_n}^2), \end{aligned} \quad (14)$$

TABLE I
SUMMARY OF NOTATION

Messages	Messages	Mean	Covariance	Correlation
Fig. 2	Fig. 3			
$m_{f_Y \rightarrow h_n}$	$m_{f_Q \rightarrow h_n}$	$\bar{\mu}_{h_n}$	$\bar{\sigma}_{h_n}^2$	
$n_{h_n \rightarrow f_Y}$	$n_{h_n \rightarrow f_Q}$	$\vec{\mu}_{h_n}$	$\vec{\sigma}_{h_n}^2$	$\vec{\rho}_{h_n}$
	$m_{f_Q \rightarrow \mathbf{q}}$	$\bar{\mu}_{\mathbf{q}}$	$\bar{\Sigma}_{\mathbf{q}}$	$\bar{\mathbf{R}}_{\mathbf{q}}$
	$n_{\mathbf{q} \rightarrow f_Q}$	$\vec{\mu}_{\mathbf{q}}$	$\vec{\Sigma}_{\mathbf{q}}$	$\vec{\mathbf{R}}_{\mathbf{q}}$
	$m_{f_Y \rightarrow \mathbf{q}}$	$\bar{\mu}_{\mathbf{q}}$	$\bar{\Sigma}_{\mathbf{q}}$	$\bar{\mathbf{R}}_{\mathbf{q}}$
	$n_{\mathbf{q} \rightarrow f_Y}$	$\vec{\mu}_{\mathbf{q}}$	$\vec{\Sigma}_{\mathbf{q}}$	$\vec{\mathbf{R}}_{\mathbf{q}}$
	$m_{f_Y \rightarrow \mathbf{s}}$	$\bar{\mu}_{\mathbf{s}}$	$\bar{\Sigma}_{\mathbf{s}}$	$\bar{\mathbf{R}}_{\mathbf{s}}$
	$n_{\mathbf{s} \rightarrow f_Y}$	$\vec{\mu}_{\mathbf{s}}$	$\vec{\Sigma}_{\mathbf{s}}$	$\vec{\mathbf{R}}_{\mathbf{s}}$
	$m_{f_S \rightarrow \mathbf{s}}$	$\bar{\mu}_{\mathbf{s}}$	$\bar{\Sigma}_{\mathbf{s}}$	$\bar{\mathbf{R}}_{\mathbf{s}}$
	$n_{\mathbf{s} \rightarrow f_S}$	$\vec{\mu}_{\mathbf{s}}$	$\vec{\Sigma}_{\mathbf{s}}$	$\vec{\mathbf{R}}_{\mathbf{s}}$
$m_{f_Y \rightarrow x_n}$	$m_{f_S \rightarrow x_n}$	$\bar{\mu}_{x_n}$	$\bar{\sigma}_{x_n}^2$	
$n_{x_n \rightarrow f_Y}$	$n_{x_n \rightarrow f_S}$	$\vec{\mu}_{x_n}$	$\vec{\sigma}_{x_n}^2$	$\vec{\rho}_{x_n}$

where the mean and variance are $\bar{\mu}_{h_n} = \bar{\rho}_{x_n}^{-1} \bar{\mu}_{x_n}^* (y - \sum_{n' \neq n} \vec{\mu}_{h_{n'}} \bar{\mu}_{x_{n'}})$ and $\bar{\sigma}_{h_n}^2 = (\gamma \bar{\rho}_{x_n})^{-1}$, respectively. Similarly, the messages from the observation factor to the symbols are given by

$$\begin{aligned}
m_{f_Y \rightarrow x_n}(x_n) &\propto \exp \left(-\gamma \left(\vec{\rho}_{h_n} |x_n|^2 - 2 \Re \left\{ x_n^* \vec{\mu}_{h_n}^* \left(y - \sum_{n' \neq n} \vec{\mu}_{h_{n'}} \bar{\mu}_{x_{n'}} \right) \right\} \right) \right) \\
&\propto \mathcal{CN}(x_n; \bar{\mu}_{x_n}, \bar{\sigma}_{x_n}^2),
\end{aligned} \tag{15}$$

where the mean and variance are $\bar{\mu}_{x_n} = \bar{\rho}_{h_n}^{-1} \bar{\mu}_{h_n}^* (y - \sum_{n' \neq n} \vec{\mu}_{h_{n'}} \bar{\mu}_{x_{n'}})$ and $\bar{\sigma}_{x_n}^2 = \gamma \bar{\rho}_{h_n}$, respectively. We conclude from (14) and (15) that the MF approximation leads to an interference cancellation structure when computing the outgoing messages. The uncertainty in the variables (i.e., the variance) is not considered in the interference cancellation part; only the mean is used for terms $n' \neq n$ in (13) and (15). Interference cancellation, which only accounts for the mean, are known to be inferior to approaches which use both the mean and variance of the incoming messages [29], [31]. When estimation of the noise variance (or precision) is included in the MF framework, it naturally accounts for errors in the interference cancellation and, therefore, indirectly the

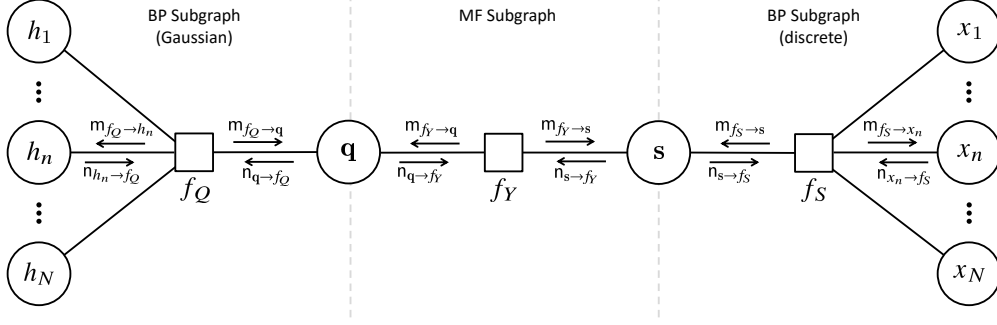


Fig. 3. Factor graph of a *typical* interference corrupted observation model based on the proposed BP-MF construction with auxiliary variables. In the graph, f_Q labels the factor $p(\mathbf{q}|h_1, \dots, h_N)$ and f_S labels the factor $p(\mathbf{s}|x_1, \dots, x_N)$.

uncertainty is accounted for. However, a single variance parameter does not effectively capture the variance of each individual symbol when performing cancellation. In simulations, we found that due to the interference cancellation structure, the MF approximation was a particularly poor choice for equalization in the presence of interference. This has motivated us to explore and propose an alternative model for multi-signal detection.

B. Joint Auxiliary Variables

The proposed factor graph model is based on separation of the equalization and channel estimation functions from the observations. The goal is to apply more effective BP for these functions while still maintaining the advantages of the MF approximation in regards to the non-linear observation model. To separate the equalization and channel estimation functions, we introduce two auxiliary variables: a joint channel coefficient variable and a joint symbol variable as defined by

$$\mathbf{s} \triangleq \mathbf{x} = [x_1, \dots, x_N]^T \quad \text{and} \quad \mathbf{q} \triangleq \mathbf{h} = [h_1, \dots, h_N]^T, \quad (16)$$

respectively. This enables us to factor the joint distribution into distinct observation, equalization, and channel estimation factors as given by

$$p(\mathbf{y}, \mathbf{x}, \mathbf{h}, \mathbf{s}, \mathbf{q}) = \underbrace{p(\mathbf{y}|\mathbf{s}, \mathbf{q})}_{f_Y} \underbrace{p(\mathbf{s}|\mathbf{x})}_{f_S} \underbrace{p(\mathbf{q}|\mathbf{h})}_{f_Q} \prod_{i=1}^N p(x_i) \prod_{i=1}^N p(h_i). \quad (17)$$

The factor graph model is shown in Fig. 3.

With the introduction of joint auxiliary variables, the MF subgraph becomes a link between estimation of the channel coefficients and equalization of the symbols. Summary statistics (i.e.,

the first and second order moments) of the channel coefficient based on incoming message $\eta_{\mathbf{q} \rightarrow f_Y}$ are used for detection of the data. Similarly, first and second order moments of the symbols based on the incoming message $\eta_{\mathbf{s} \rightarrow f_Y}$ are used for channel estimation. The key difference is that joint distributions for all symbols (or channel coefficients) flow away from the observation nodes. Thus, the interference cancellation structure has been eliminated. As we will show, this allows us to perform equalization or channel estimation using belief propagation which is more successful. These points are demonstrated by the following message derivations.

The likelihood function is expressed in terms of the vector notation defined in (16) and is given by

$$p(y|\mathbf{s}, \mathbf{q}) \propto \exp\left(-\gamma |y - \mathbf{q}^T \mathbf{s}|^2\right). \quad (18)$$

The message from the observation to the auxiliary symbol variable is derived as follows:

$$\begin{aligned} m_{f_Y \rightarrow \mathbf{s}}(\mathbf{s}) \\ \propto \exp\left\{-\gamma \left(-y \mathbf{s}^H \vec{\mu}_{\mathbf{q}}^* - y^* \vec{\mu}_{\mathbf{q}}^T \mathbf{s} + \mathbf{s}^H \vec{\mathbf{R}}_{\mathbf{q}} \mathbf{s}\right)\right\} \end{aligned} \quad (19)$$

$$\propto \mathcal{CN}(\mathbf{s}; \vec{\mu}_{\mathbf{s}}, \vec{\Sigma}_{\mathbf{s}}), \quad (20)$$

where $\vec{\mu}_{\mathbf{s}} = \vec{\mathbf{R}}_{\mathbf{q}}^{-1} y \vec{\mu}_{\mathbf{q}}^*$ and $\vec{\Sigma}_{\mathbf{s}} = (\gamma \vec{\mathbf{R}}_{\mathbf{q}})^{-1}$. The message from the observation to the auxiliary channel variable is derived similarly as given by

$$\begin{aligned} m_{f_Y \rightarrow \mathbf{q}}(\mathbf{q}) \\ \propto \exp\left\{-\gamma \left(-y \mathbf{q}^H \vec{\mu}_{\mathbf{s}}^* - y^* \vec{\mu}_{\mathbf{s}}^T \mathbf{q} + \mathbf{q}^H \vec{\mathbf{R}}_{\mathbf{s}} \mathbf{q}\right)\right\} \\ \propto \exp\left\{-\gamma \left(\mathbf{q} - \vec{\mathbf{R}}_{\mathbf{s}}^{-1} y \vec{\mu}_{\mathbf{s}}^*\right)^H \vec{\mathbf{R}}_{\mathbf{s}} \left(\mathbf{q} - \vec{\mathbf{R}}_{\mathbf{s}}^{-1} y \vec{\mu}_{\mathbf{s}}^*\right)\right\} \\ \propto \mathcal{CN}(\mathbf{q}; \vec{\mu}_{\mathbf{q}}, \vec{\Sigma}_{\mathbf{q}}), \end{aligned} \quad (21)$$

where $\vec{\mu}_{\mathbf{q}} = \vec{\mathbf{R}}_{\mathbf{s}}^{-1} y \vec{\mu}_{\mathbf{s}}^*$ and $\vec{\Sigma}_{\mathbf{q}} = (\gamma \vec{\mathbf{R}}_{\mathbf{s}})^{-1}$. Descriptions for the parameters can be found in Table I.

C. BP-Based Channel Estimation

In contrast to the interference cancellation structure of the MF approximation, Gaussian BP follows the structure of LMMSE filtering where the incoming messages ($\eta_{h_n \rightarrow f_Q}(h_n)$) are treated as prior distributions. We derive the messages associated with the channel estimation BP subgraph in Appendix A. Rather than rely only on “soft” symbol estimates, the proposed algorithm makes use of first and second order moments of the symbols as a result of the MF approximation.

D. BP-Based Equalization

Because the joint auxiliary symbol variable has a discrete domain, the message $m_{f_S \rightarrow \mathbf{s}}$ is a discrete distribution which is computed by evaluating (19) for all vectors \mathbf{s} . The sum-product rule is applied to messages from the factor f_S to the neighboring variables. In this context, discrete BP (or the sum-product algorithm) is a (local) joint MAP detector where incoming messages from the symbols are treated as prior distributions. We derive the messages associated with the equalization BP subgraph in Appendix B.

IV. COMBINED BP-MF-EP RECEIVER ARCHITECTURE

In the previous section, we applied the BP-MF framework to detection of multiple signals. The advancement in our work is a factor graph model that maintains the benefits of the MF approximation and enables BP to be used for equalization and channel estimation. The complexity of BP for discrete variables is a function of the variable's domain size and number of signal components in the observation. For example, if an observation is comprised of N signal components with domain \mathcal{X} , the complexity of BP is $O(|\mathcal{X}|^N)$. In other words, it is exponential in the number of components and number of bits per symbol (i.e., bits per signal component). While this is not prohibitive for detection of several signals with low-order modulation (for example, 2 signals with QPSK modulation has a complexity order of 16), it is a barrier when more signal components are present or have high-order modulations (for example, 4 signals with 16 QAM modulation has a complexity order of 65 536)

We develop a reduced complexity receiver for the proposed model of Section III by making the assumption that the symbols and the joint auxiliary symbol variable are continuous random variables and that the messages returned from demodulation and decoding are Gaussian distributed. With these assumptions, Gaussian BP is applied to the equalization factor f_S and associated variables. The Gaussian BP algorithm for equalization is identical to Gaussian BP for channel estimation. As with channel estimation, the Gaussian BP equalizer has the form of LMMSE filtering with prior information and makes use of first and second order moments of the channel coefficients according to the MF messages. Gaussian BP has been applied to equalization in iterative receivers before and has been shown to be equivalent to LMMSE filtering where feedback from the decoder is treated as prior information [42].

The question that remains is how to compute Gaussian distributed messages from the discrete messages returned from demodulation and decoding. In similar applications, a Gaussian distribu-

tion whose mean and variance match the mean and variance of the extrinsic distribution has been proposed [30]. In some cases it was found to be more effective to match the mean and variance to the posterior discrete distribution [28]. Senst and Ascheid provided a theoretically justified approach to computing the Gaussian messages based on EP [36]. Their work also provides insight into why posterior distributions are more effective than extrinsic distributions.

A. Gaussian Approximation

The joint auxiliary symbol variable is approximated as having a continuous domain. Similarly, the symbols x_1, \dots, x_N are approximated as having continuous domains for factor f_S (i.e., $p(\mathbf{s}|x_1, \dots, x_N)$) and maintain a discrete domain in the factors f_{C_1}, \dots, f_{C_N} . The messages from the symbols to the equalization factors $n_{x_n \rightarrow f_S}(x_n)$ are now continuous and are approximated as Gaussian distributions. Gaussian BP is used to compute messages involving the equalization factor in a similar manner to Section III-C and Appendix A.

B. Expectation Propagation

From Fig. 4, messages $m_{f_S \rightarrow x_n}(x_n)$ and $n_{x_n \rightarrow f_S}(x_n)$ are Gaussian distributions while $m_{f_{C_n} \rightarrow x_n}(x_n)$ and $n_{x_n \rightarrow f_{C_n}}(x_n)$ are discrete distributions. Computing $n_{x_n \rightarrow f_{C_n}}(x_n)$ from $m_{f_S \rightarrow x_n}(x_n)$ is straightforward: the Gaussian distribution is evaluated for each value in the domain of the symbol. In order to approximate discrete distribution $m_{f_{C_n} \rightarrow x_n}(x_n)$ with Gaussian distribution $n_{x_n \rightarrow f_S}(x_n)$, we apply EP.

EP is implemented by first computing the exact belief from the discrete distributions as given by

$$b(x_n) = m_{f_{C_n} \rightarrow x_n}(x_n)n_{x_n \rightarrow f_{C_n}}(x_n). \quad (22)$$

Subsequently, the belief is approximated with a Gaussian distribution as given by

$$\tilde{b}(x_n) = \mathcal{CN}(x_n; \mu_{x_n}, \sigma_{x_n}^2), \quad (23)$$

where μ_{x_n} and $\sigma_{x_n}^2$ *without arrows* denote parameters of the belief computed from (22). Finally, the parameters of the Gaussian distribution for $n_{x_n \rightarrow f_S}(x_n)$ are computed by dividing $\tilde{b}(x_n)$ by $m_{f_S \rightarrow x_n}(x_n)$. Thus, the mean and variance of $n_{x_n \rightarrow f_S}(x_n)$ are given by

$$\tilde{\sigma}_{x_n}^2 = \left(\frac{1}{\sigma_{x_n}^2} - \frac{1}{\sigma_{x_n}^2} \right)^{-1} \quad (24)$$

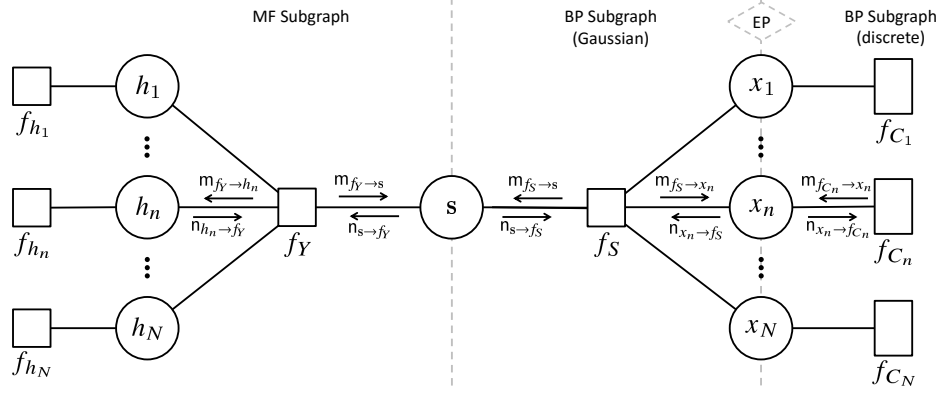


Fig. 4. Factor graph of a *typical* observation based on the proposed BP-MF-EP receiver architecture for low-complexity implementation.

and

$$\overleftarrow{\mu}_{x_n} = \overleftarrow{\sigma}_{x_n}^2 \left(\frac{\mu_{x_n}}{\sigma_{x_n}^2} - \frac{\overrightarrow{\mu}_{x_n}}{\overrightarrow{\sigma}_{x_n}^2} \right), \quad (25)$$

respectively. It is possible that the variance computed in (24) is negative. In this case, we apply the solution used in [36] and approximate the message by the Gaussian belief, i.e., we set $\overleftarrow{\mu}_{x_n} = \mu_{x_n}$ and $\overleftarrow{\sigma}_{x_n}^2 = \sigma_{x_n}^2$.

C. Receiver Architecture

In summary we propose a receiver architecture for multi-signal detection which combines Gaussian and discrete BP, the MF approximation, and EP. The architecture is built upon the factor graph model of the joint distribution including choice of auxiliary variables and partitioning of the graph into subgraphs. We divide the graph into three regions as follows:

- MF subgraph including the observation and channel estimation factors and corresponding variables.
- Gaussian BP subgraph including the equalization factors, and
- Discrete BP subgraph including the modulation and coding constraint factors.

Channel estimation can be separated into its own subgraph applying Gaussian BP or GAMP. Additionally, channel estimation can be accomplished using the EM algorithm as a special case of the MF approximation. A diagram of the receiver architecture is shown in Fig. 4 In the next section, we demonstrate this receiver architecture by applying it to MIMO-OFDM.

V. APPLICATION TO MIMO-OFDM

In this section, the proposed receiver architecture is applied to reception of MIMO-OFDM signals. This model can be used to accomplish multi-signal detection in general (e.g., single antenna multiuser detection or multiuser MIMO schemes).

A. System Model

Consider a MIMO-OFDM transmission scheme which utilizes N transmit antennas, M receive antennas, and K subcarriers. The information bits, coded bits, and symbols for the i th stream transmitted on the i th antenna (similarly, the i th user) are denoted by \mathbf{b}_i , \mathbf{c}_i , and \mathbf{x}_i , respectively. The symbols transmitted on the k th subcarrier across all antennas are collected into vector $\mathbf{x}(k) = [x_1(k), \dots, x_N(k)]^T$.

The multipath channel between each pair of transmitter and receiver antennas is modeled with a conventional tapped delay line with L taps spaced at the OFDM symbol sample rate. The channel coefficients associated with the n th transmitter antenna and the m th receiver antenna are denoted by the $L \times 1$ vector $\mathbf{h}_{mn} = [h_{mn}(0), h_{mn}(1), \dots, h_{mn}(L-1)]^T$. The collection of the channel coefficients for all pairs of transmitter and receiver antennas is given by

$$\mathbf{h} = \left[\left[\mathbf{h}_{11}^T, \dots, \mathbf{h}_{M1}^T \right], \dots, \left[\mathbf{h}_{1N}^T, \dots, \mathbf{h}_{MN}^T \right] \right]^T.$$

The channel coefficients $h_{mn}(l)$ for all $m = 1, \dots, M$, $n = 1, \dots, N$, and $l = 0, \dots, L-1$ are assumed to be independent.

The frequency domain channel coefficients for the K subcarriers are obtained through the Fourier transform. We define a $K \times L$ DFT matrix \mathbf{D} where the k, l th element is given by $d_{kl} = e^{-j2\pi kl/K}$. The frequency domain channel coefficients are defined as given by

$$\tilde{h}_{mn}(k) = \sum_{l=0}^{L-1} h_{mn}(l) d_{kl} \quad (26)$$

for all $m = 1, \dots, M$, $n = 1, \dots, N$, and $k = 0, \dots, K-1$. The $M \times N$ MIMO channel matrix for the k th subcarrier is given by

$$\tilde{\mathbf{H}}(k) = \begin{bmatrix} \tilde{h}_{11}(k) & \tilde{h}_{12}(k) & \cdots & \tilde{h}_{1N}(k) \\ \tilde{h}_{21}(k) & \tilde{h}_{22}(k) & & \vdots \\ \vdots & & \ddots & \\ \tilde{h}_{M1}(k) & \cdots & & \tilde{h}_{MN}(k) \end{bmatrix}. \quad (27)$$

We define both scalar and vector forms for the received signal as follows. The $M \times 1$ received signal vector for the k th subcarrier is given by

$$\mathbf{y}(k) = \tilde{\mathbf{H}}(k)\mathbf{x}(k) + \mathbf{w}(k) \quad \forall k = 0, 1, \dots, K-1, \quad (28)$$

where $\mathbf{w}(k)$ is a $M \times 1$ vector of iid circularly symmetric complex Gaussian random variables representing noise. The per antenna noise precision is denoted by γ (i.e., the noise variance is given by $1/\gamma$). The scalar form of the received signal is given by

$$y_m(k) = \sum_{n=1}^N x_n(k) \sum_{l=0}^{L-1} h_{mn}(l)d_{kl} + w_m(k), \quad (29)$$

where $y_m(k)$ and $w_m(k)$ are the m th elements of $\mathbf{y}(k)$ and $\mathbf{w}(k)$, respectively. The concatenation of the received signal vectors and channel matrices for all subcarriers are denoted as $\mathbf{y} = [\mathbf{y}(0)^T, \dots, \mathbf{y}(K-1)^T]^T$ and $\tilde{\mathbf{H}} = [\tilde{\mathbf{H}}(0)^T, \dots, \tilde{\mathbf{H}}(K-1)^T]^T$, respectively.

B. Factor Graph

We introduce an auxiliary variable $\mathbf{s}(k)$ for each observation $\mathbf{y}(k)$ which represents the joint symbol vector for that observation (i.e., $x_1(k), \dots, x_N(k)$). The collection of all auxiliary variables is denoted as $\mathbf{s} = [\mathbf{s}(0)^T, \dots, \mathbf{s}(K-1)^T]^T$. The joint distribution is factored as follows:

$$\begin{aligned} & p(\mathbf{y}, \mathbf{s}, \mathbf{x}_1, \dots, \mathbf{x}_N, \mathbf{c}_1, \dots, \mathbf{c}_N, \mathbf{b}_1, \dots, \mathbf{b}_N, \mathbf{h}) \\ &= \prod_{k=0}^{K-1} p(\mathbf{y}(k)|\mathbf{s}(k), \mathbf{h}) p(\mathbf{s}(k)|x_1(k), \dots, x_N(k)) \prod_{i=1}^N p(\mathbf{x}_i, \mathbf{c}_i, \mathbf{b}_i) \prod_{m=1}^M \prod_{n=1}^N \prod_{l=0}^{L-1} p(h_{mn}(l)). \end{aligned} \quad (30)$$

The distributions $p(\mathbf{x}_i, \mathbf{c}_i, \mathbf{b}_i)$ may be further factored based on the modulation and code constraints which has been considered extensively in past work [3]. The factor graph of the joint distribution is shown in Fig. 5.

Two receiver architectures are constructed by defining the partitioning of the factor into subgraphs according to the message passing algorithm to be applied. First, the *exact* implementation applies BP-MF as constructed in Section III. The exact implementation is defined by the following subgraphs:

$$\mathcal{A}_{\text{BP}} = \{f_{S_k}|k \in [0 : K-1]\} \cup \{f_{C_i}|i \in [1 : N]\} \quad (31)$$

$$\mathcal{A}_{\text{MF}} = \{f_{Y_k}|k \in [0 : K-1]\} \cup \{f_{h_{mn}(l)}|m \in [1 : M], n \in [1 : N], l \in [0 : L-1]\} \quad (32)$$

$$\mathcal{I}_{\text{BP}} = \{\mathbf{s}(k)|k \in [0 : K-1]\} \cup \{\mathbf{x}_1, \dots, \mathbf{x}_N\} \cup \{\mathbf{c}_1, \dots, \mathbf{c}_N\} \cup \{\mathbf{b}_1, \dots, \mathbf{b}_N\} \quad (33)$$

$$\mathcal{I}_{\text{MF}} = \{\mathbf{s}(k)|k \in [0 : K-1]\} \cup \{\mathbf{h}\}. \quad (34)$$

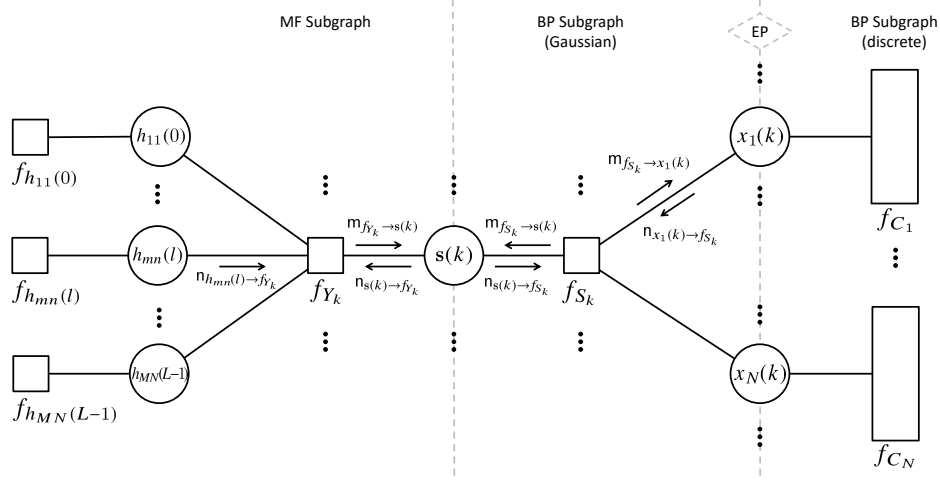


Fig. 5. Factor graph of (30) with auxiliary variables $s(k)$ enabling separation between channel estimation and detection.

Second, the approximate implementation applies BP-MF-EP as constructed in Section IV. The approximate implementation is defined by the following subgraphs:

$$\mathcal{A}_{\text{dBP}} = \{f_{C_i} | i \in [1 : N]\} \quad (35)$$

$$\mathcal{A}_{\text{GBP}} = \{f_{S_k} | k \in [0 : K - 1]\} \quad (36)$$

$$\mathcal{A}_{\text{MF}} = \{f_{Y_k} | k \in [0 : K - 1]\} \cup \{f_{h_{mn}(l)} | m \in [1 : M], n \in [1 : N], l \in [0 : L - 1]\} \quad (37)$$

$$\mathcal{I}_{\text{dBP}} = \{\mathbf{x}_1, \dots, \mathbf{x}_N\} \cup \{\mathbf{c}_1, \dots, \mathbf{c}_N\} \cup \{\mathbf{b}_1, \dots, \mathbf{b}_N\} \quad (38)$$

$$\mathcal{I}_{\text{GBP}} = \{s(k) | k \in [0 : K - 1]\} \cup \{\mathbf{x}_1, \dots, \mathbf{x}_N\} \quad (39)$$

$$\mathcal{I}_{\text{MF}} = \{s(k) | k \in [0 : K - 1]\} \cup \{\mathbf{h}\}, \quad (40)$$

where \mathcal{A}_{dBP} denotes the discrete BP subgraph and \mathcal{A}_{GBP} denotes the Gaussian BP subgraph. We handle channel estimation differently than previous work [11], [18], [19], [22] by estimating the time-domain channel taps with the MF approximation. Derivations for the messages within the MF subgraph are provided in Appendix C.

VI. NUMERICAL RESULTS

In this section, we provide numerical results for the MIMO-OFDM receiver using Monte Carlo simulation in order to validate the proposed probabilistic receiver architecture. The simulation parameters are summarized in Table II. Although internal loops are present within the factor graph, we do not perform any sub-iterations within a full iteration of the receiver.

TABLE II
SUMMARY OF THE MIMO-OFDM SIMULATION PARAMETERS

Parameter	Description
Transmit antennas (N)	4
Receive antennas (M)	4
Subcarriers (K)	300
OFDM Symbols/packet	7
Coding	1/2 PCCC
Modulation	QPSK
Reference Signals	3GPP LTE (antenna ports 0–3)
Channel taps (L)	10

We present simulation results for four receiver algorithms. In all four cases, we use our proposed MF-based MIMO-OFDM channel estimation developed in Section V and Appendix C. The algorithms differ in how the BP-MF framework is applied to multi-signal detection. A description of each algorithm and the complexity of the equalization function is provided as follows:

- (a) *BP-MF original*: the BP-MF implementation found in the prior art in which multi-signal detection is included in the MF subgraph (e.g., [14], [25]). The equalization function has a computational complexity $\mathcal{O}(N)$ as shown in (15).
- (b) *BP-MF exact*: our proposed BP-MF implementation in which discrete BP is applied to multi-signal detection (subgraphs defined in (31)–(34)). The computational complexity of discrete BP for equalization of multiple signals is $\mathcal{O}(|\mathcal{X}|^N)$ where $|\mathcal{X}|$ is the modulation order.
- (c) *BP-MF-EP*: our proposed low-complexity BP-MF implementation with Gaussian BP and Gaussian approximations based on EP (subgraphs defined in (35)–(40)). The computational complexity is $\mathcal{O}(N^3)$ due to the matrix inversion required for equalization.
- (d) *BP-MF approximate (ext)*: for comparison purposes a BP-MF implementation with Gaussian BP equalization and Gaussian approximations based on extrinsic distributions (subgraphs defined in (35)–(40)). The computational complexity is also $\mathcal{O}(N^3)$.

The performance with known channel coefficients and joint MAP (JMAP) detection is also simulated to provide a lower bound. The JMAP receiver with known channel coefficients applies

discrete BP and is identical to the *BP-MF exact* receiver in its equalization, demodulation, and decoding functions.

The bit error rate (BER) performance is shown with respect to SNR and with respect to the number of receiver iterations in Figs. 6 and 7, respectively. The results support our claim that the interference cancellation structure of the MF approximation (used in the standard implementation) is not ideal for handling multi-signal detection. This is because variance of a symbol's messages (i.e., the degree of uncertainty about a particular symbol's value) is not accounted for when applying the MF approximation to multi-signal detection. Applying BP to the MIMO equalization task (as done in the exact implementation of our proposed BP-MF construction) yields more than 1 dB improvement in performance and is about 1 dB away from the best achievable performance with perfect parameter knowledge. However, our exact implementation of BP-MF comes at the cost of a computational complexity which is exponential in the number of signals. The performance of the receivers which use Gaussian BP lies in between these two. Specifically, Gaussian BP with extrinsic-based Gaussian approximations does not significantly improve performance versus the *BP-MF original*. On the other hand, because EP is effective in computing Gaussian messages from the discrete distributions passed to the Gaussian BP subgraph, the *BP-MF-EP* receiver performs very close to the *BP-MF exact* receiver with discrete BP. Thus, with polynomial complexity order (like *BP-MF original*), we are able to achieve nearly the performance of the exact implementation. In fact, we observe in Fig. 7, that for iterations 1–13, *BP-MF-EP* slightly out-performs the exact implementation. This is likely due to the fact that *BP-MF-EP* does not follow a strict use of extrinsic information which leads to faster convergence but an increased chance of “hardening” the distributions toward the wrong decisions (as seen in the cross-over of their BER curves in Fig. 7).

The mean square error (MSE) channel estimation performance is shown in Figs. 8 and 9. The only unexpected result is that, at lower SNR, the standard BP-MF implementation outperforms Gaussian BP with extrinsic-based Gaussian approximations. This is further evidence that basing the Gaussian messages on the extrinsic distributions is a poor approximation. As all receiver algorithms perform channel estimation in the same way, the difference in channel estimation performance is a consequence of the quality of the information about the data in each receiver. The BP-MF-EP receiver again converges more quickly than the exact BP-MF receiver. However, both receiver algorithms converge to the same estimation performance after about 12 iterations.

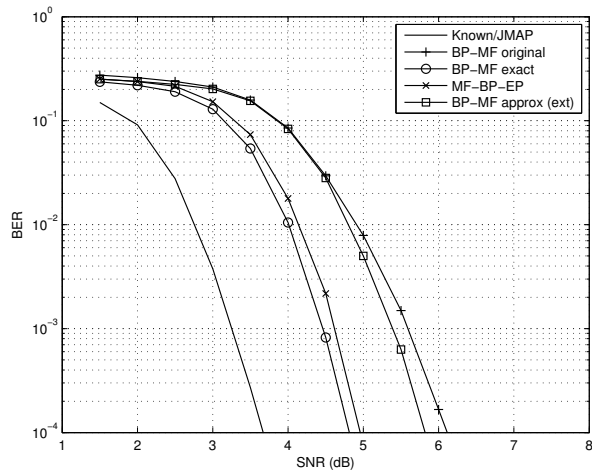


Fig. 6. BER vs. SNR per antenna with 20 iterations.

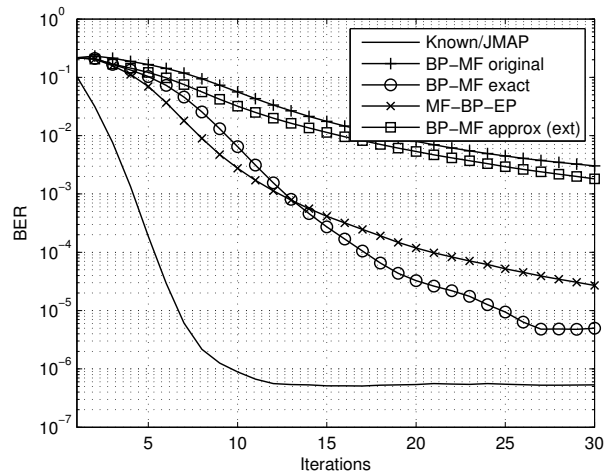


Fig. 7. BER vs. iteration for SNR = 5 dB per antenna.

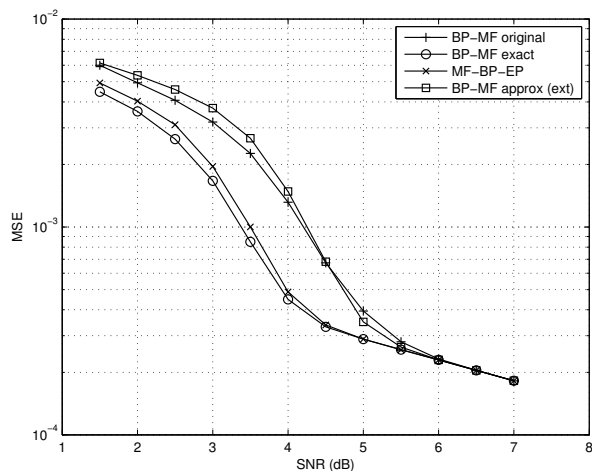


Fig. 8. Channel estimation MSE vs. SNR per antenna with 20 iterations.

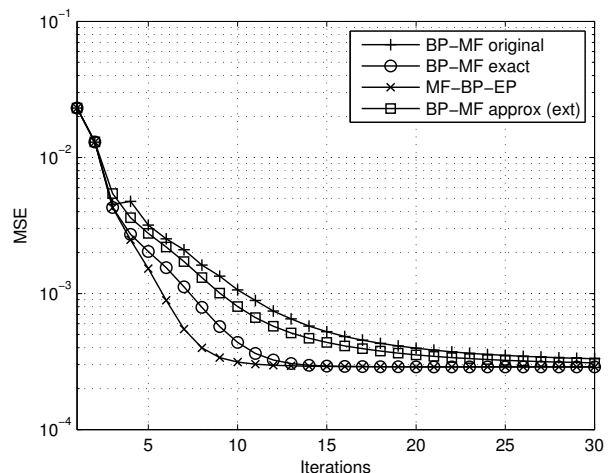


Fig. 9. Channel estimation MSE vs. iteration for SNR = 5 dB per antenna.

VII. CONCLUSION

In this paper, we have developed a probabilistic receiver architecture for detection of multiple signals based on the BP-MF framework. By introducing auxiliary variables into the factor graph model, we maintain the benefits of the MF approximation while avoiding an undesirable interference cancellation structure. In scenarios in which the complexity of discrete BP for equalization is prohibitive, we proposed Gaussian BP for multi-signal detection and a combined BP-MF-EP message passing algorithm. The proposed low-complexity algorithm is shown to perform nearly

as well as the exact implementation for a MIMO-OFDM signal detection. As a result of this work, we have developed a probabilistic receiver architecture with strong theoretical justification which can be applied to multi-signal detection and, in general, detection in the presence of interference. We have also developed a new MF-based time-domain channel estimation approach for MIMO-OFDM. While we have focused on MF-based channel estimation, the factor graph construction also enables BP, GAMP, or EM to be applied to channel estimation.

APPENDIX A

GAUSSIAN BP FOR CHANNEL ESTIMATION

The factor f_Q is within a BP subgraph. Thus, the message passed from the joint auxiliary channel variable to this factor is an extrinsic message as given by

$$n_{\mathbf{q} \rightarrow f_Q}(\mathbf{q}) = m_{f_Y \rightarrow \mathbf{q}}(\mathbf{q}). \quad (41)$$

Similarly, the messages from the channel coefficient variables to f_Q are extrinsic messages which carry the prior distributions for the channel coefficients. The factor f_Q enforces equality between the channel coefficients and the corresponding terms within the joint auxiliary variable. The factor function is given by the following hard constraint:

$$p(\mathbf{q}|\mathbf{h}) = \prod_{i=1}^N \mathbf{I}(q_i = h_i). \quad (42)$$

When the prior distributions are Gaussian (e.g., for Rayleigh fading channels), Gaussian BP is used to perform the computations for this factor node.

The joint auxiliary variable \mathbf{q} is a concatenation of the channel coefficients. Thus, the BP message from f_Q to the joint auxiliary variable is given by a concatenation of the input messages from the channel coefficients. That is, the message is given by

$$m_{f_Q \rightarrow \mathbf{q}}(\mathbf{q}) = \mathcal{CN}(\mathbf{q}; \vec{\mu}_{\mathbf{q}}, \vec{\Sigma}_{\mathbf{q}}), \quad (43)$$

where

$$\vec{\mu}_{\mathbf{q}} = [\vec{\mu}_{h_1}, \dots, \vec{\mu}_{h_N}]^T \quad (44)$$

and

$$\vec{\Sigma}_{\mathbf{q}} = \text{diag}(\vec{\sigma}_{h_1}^2, \dots, \vec{\sigma}_{h_N}^2). \quad (45)$$

The message from f_Q to the channel coefficients is computed according to the sum-product rule. In order to work with vector notation, the incoming messages from the channel coefficients are combined into a mean and covariance matrix as given by

$$\boldsymbol{\mu}_{\sim h_n} = [\vec{\mu}_{h_1}, \dots, \vec{\mu}_{h_{n-1}}, 0, \vec{\mu}_{h_{n+1}}, \dots, \vec{\mu}_{h_N}]^T \quad (46)$$

and

$$V_{\sim h_n} = \text{diag} \left(\frac{1}{\vec{\sigma}_{h_1}^2}, \dots, \frac{1}{\vec{\sigma}_{h_{n-1}}^2}, 0, \frac{1}{\vec{\sigma}_{h_{n+1}}^2}, \dots, \frac{1}{\vec{\sigma}_{h_N}^2} \right), \quad (47)$$

where h_n is excluded due to the sum-product rule. With these definitions, the sum-product computation is as follows:

$$\begin{aligned} m_{f_Q \rightarrow h_n}(h_n) &= \int \cdots \int p(\mathbf{q}|\mathbf{h}) n_{\mathbf{q} \rightarrow f_Q}(\mathbf{q}) \prod_{i \neq n} n_{h_i \rightarrow f_Q}(h_i) dh_i d\mathbf{q}. \\ &\propto \int \cdots \int \exp \left\{ -(\mathbf{h} - \vec{\mu}_{\mathbf{q}})^H \vec{\Sigma}_{\mathbf{q}}^{-1} (\mathbf{h} - \vec{\mu}_{\mathbf{q}}) \right\} \\ &\quad \cdot \exp \left\{ -(\mathbf{h} - \boldsymbol{\mu}_{\sim h_n})^H V_{\sim h_n} (\mathbf{h} - \boldsymbol{\mu}_{\sim h_n}) \right\} \prod_{i \neq n} dh_i \\ &\propto \mathcal{CN} \left(h_n; \vec{\mu}_{h_n}, \vec{\sigma}_{h_n}^2 \right), \end{aligned} \quad (48)$$

where

$$\vec{\sigma}_{h_n}^2 = \left[\left(\vec{\Sigma}_{\mathbf{q}}^{-1} + V_{\sim h_n} \right)^{-1} \right]_{n,n} \quad (49)$$

and

$$\vec{\mu}_{h_n} = \left[\left(\vec{\Sigma}_{\mathbf{q}}^{-1} + V_{\sim h_n} \right)^{-1} \left(\vec{\Sigma}_{\mathbf{q}}^{-1} \vec{\mu}_{\mathbf{q}} + V_{\sim h_n} \boldsymbol{\mu}_{\sim h_n} \right) \right]_n. \quad (50)$$

An efficient implementation is to compute the joint posterior, marginalize, and remove the input distribution to obtain marginal extrinsic messages for each channel coefficient. The joint posterior is computed once for the messages to all channel coefficient variables and, therefore, a single matrix inversion is required.

Finally, the message from the joint channel auxiliary variable to the observation factor is the posterior distribution for \mathbf{q} since f_Y is in the MF subgraph. The posterior is given by

$$\begin{aligned} n_{\mathbf{q} \rightarrow f_Y}(\mathbf{q}) &= m_{f_Q \rightarrow \mathbf{q}}(\mathbf{q}) m_{f_Y \rightarrow \mathbf{q}}(\mathbf{q}) \\ &\propto \exp \left\{ -(\mathbf{h} - \vec{\mu}_{\mathbf{q}})^H \vec{\Sigma}_{\mathbf{q}}^{-1} (\mathbf{h} - \vec{\mu}_{\mathbf{q}}) \right\} \\ &\quad \cdot \exp \left\{ -(\mathbf{h} - \vec{\mu}_{\mathbf{q}})^H \vec{\Sigma}_{\mathbf{q}}^{-1} (\mathbf{h} - \vec{\mu}_{\mathbf{q}}) \right\} \end{aligned} \quad (51)$$

and the parameters of the distribution for $n_{\mathbf{q} \rightarrow f_Y}(\mathbf{q})$ are found to be

$$\vec{\Sigma}_{\mathbf{q}} = \left(\vec{\Sigma}_{\mathbf{q}}^{-1} + \vec{\Sigma}_{\mathbf{q}}^{-1} \right)^{-1}$$

and

$$\vec{\mu}_{\mathbf{q}} = \vec{\Sigma}_{\mathbf{q}} \left(\vec{\Sigma}_{\mathbf{q}}^{-1} \vec{\mu}_{\mathbf{q}} + \vec{\Sigma}_{\mathbf{q}}^{-1} \vec{\mu}_{\mathbf{q}} \right).$$

APPENDIX B

DISCRETE BP FOR EQUALIZATION

1) *Messages from auxiliary symbol variables to factor nodes:* The factors f_Y receive posterior beliefs from the auxiliary variables as given by

$$n_{\mathbf{s} \rightarrow f_Y}(\mathbf{s}) \propto m_{f_Y \rightarrow \mathbf{s}}(\mathbf{s}) m_{f_S \rightarrow \mathbf{s}}(\mathbf{s}). \quad (52)$$

On the other hand, messages passed from the auxiliary variables to the detection factors f_S are in the form of extrinsic distributions as given by

$$n_{\mathbf{s} \rightarrow f_S}(\mathbf{s}) \propto m_{f_Y \rightarrow \mathbf{s}}(\mathbf{s}). \quad (53)$$

2) *Messages from equalization node to auxiliary variables:* The BP rule (sum-product algorithm) leads to the following message:

$$\begin{aligned} m_{f_S \rightarrow \mathbf{s}}(\mathbf{s}) &= \sum_{x_1} \cdots \sum_{x_N} p(\mathbf{s} | x_1, \dots, x_N) \prod_{i=1}^N n_{x_i \rightarrow f_S}(x_i) \\ &= \prod_{i=1}^N n_{x_i \rightarrow f_S}(s_i), \end{aligned} \quad (54)$$

where s_i is the i th element of \mathbf{s} and $p(\mathbf{s} | x_1, \dots, x_N)$ enforces equality between the symbol variables and the associated components of the auxiliary symbol variable as given by

$$p(\mathbf{s} | x_1, \dots, x_N) = \prod_{i=1}^N \mathbf{I}(s_i = x_i). \quad (55)$$

APPENDIX C

MF MESSAGE DERIVATIONS

Here we derive the messages involving the time-domain channel estimation in the MF subgraph for the MIMO-OFDM model.

Observations to channel coefficients: For the derivation of the message $\mathbf{m}_{f_{Y_k} \rightarrow h_{mn}(l)}(h_{mn}(l))$, we first consider the factor function. The factor function for factor node f_{Y_k} is the likelihood function of observation $\mathbf{y}(k)$. Specifically we consider the likelihood function based on signal model (29) where the channel coefficients are expressed in terms of the time-domain taps as given by (26). The likelihood function is given by

$$\begin{aligned}
p(\mathbf{y}(k)|\mathbf{s}(k), \mathbf{h}) &= \left(\frac{\gamma}{\pi}\right)^M \exp \left\{ -\gamma \sum_{m=1}^M \left| y_m(k) - \sum_{n=1}^N s_n(k) \sum_{l=0}^{L-1} h_{mn}(l) d_{kl} \right|^2 \right\} \\
&= \left(\frac{\gamma}{\pi}\right)^M \exp \left\{ -\gamma \sum_{m=1}^M \left(|y_m(k)|^2 - 2\Re \left[y_m(k) \sum_{n=1}^N s_n(k)^* \sum_{l=0}^{L-1} h_{mn}(l)^* d_{kl}^* \right] \right. \right. \\
&\quad \left. \left. + \sum_{n_1=1}^N \sum_{n_2=1}^N s_{n_1}(k) s_{n_2}(k)^* \sum_{l_1=0}^{L-1} \sum_{l_2=0}^{L-1} h_{mn_1}(l_1) h_{mn_2}(l_2)^* d_{kl_1} d_{kl_2}^* \right) \right\}. \tag{56}
\end{aligned}$$

The factor function is simplified by removing all terms which are constant with respect to $h_{mn}(l)$ as given by

$$\begin{aligned}
p(\mathbf{y}(k)|\mathbf{s}(k), \mathbf{h}) &\propto \exp \left\{ -\gamma \left(-2\Re [y_m(k) s_n(k)^* h_{mn}(l)^* d_{kl}^*] + |s_n(k)|^2 |h_{mn}(l)|^2 \right. \right. \\
&\quad \left. \left. + 2\Re \left[\sum_{n' \neq n} s_{n'}(k) s_n(k)^* \sum_{l'=0}^{L-1} h_{mn'}(l') h_{mn}(l)^* d_{kl'} d_{kl}^* + |s_n(k)|^2 \sum_{l' \neq l} h_{mn}(l') h_{mn}(l)^* d_{kl'} d_{kl}^* \right] \right) \right\} \\
&\propto \exp \left\{ -\gamma \left(|s_n(k)|^2 |h_{mn}(l)|^2 - 2\Re \left[h_{mn}(l)^* \left(y_m(k) s_n(k)^* d_{kl}^* \right. \right. \right. \right. \\
&\quad \left. \left. \left. - \sum_{n' \neq n} s_{n'}(k) s_n(k)^* d_{kl}^* \sum_{l'=0}^{L-1} h_{mn'}(l') d_{kl'} - |s_n(k)|^2 d_{kl}^* \sum_{l' \neq l} h_{mn}(l') d_{kl'} \right) \right] \right) \right\}. \tag{57}
\end{aligned}$$

The message from observation factor node f_{Y_k} to channel coefficient $h_{mn}(l)$ is computed

according to the MF approximation. The derivation for the message is as follows:

$$\begin{aligned}
& \mathbf{m}_{f_{Y_k} \rightarrow h_{mn}(l)}(h_{mn}(l)) \\
&= \exp \left\{ \int \cdots \int \sum_{\mathbf{s}(k)} n_{\mathbf{s}(k) \rightarrow f_{Y_k}}(\mathbf{s}(k)) \ln (p(\mathbf{y}(k)|\mathbf{s}(k), \mathbf{h})) \right. \\
&\quad \left. \prod_{\substack{m', n', l' \\ \{m', n', l'\} \neq \{m, n, l\}}} n_{h_{m'n'}(l') \rightarrow f_{Y_k}}(h_{m'n'}(l')) dh_{m'n'}(l') \right\} \\
&\propto \exp \left\{ -\gamma \left(\bar{\rho}_{\mathbf{s}(k)n,n} |h_{mn}(l)|^2 - 2 \Re \left[h_{mn}(l)^* \left(y_m(k) \bar{\mu}_{\mathbf{s}(k)n}^* d_{kl}^* \right. \right. \right. \right. \\
&\quad \left. \left. \left. - \sum_{n' \neq n} \bar{\rho}_{\mathbf{s}(k)n',n} d_{kl}^* \sum_{l'=0}^{L-1} \mu_{h_{m'n'}(l')} d_{kl'} - \bar{\rho}_{\mathbf{s}(k)n,n} d_{kl}^* \sum_{l' \neq l} \mu_{h_{mn}(l')} d_{kl'} \right) \right] \right) \right\} \\
&\propto \mathcal{CN} \left(h_{mn}(l); \phi_{mn}(l, k), \psi_{mn}(l, k)^{-1} \right), \tag{58}
\end{aligned}$$

where the mean is given by

$$\phi_{mn}(l, k) = \bar{\rho}_{\mathbf{s}(k)n,n}^{-1} \left(y_m(k) \bar{\mu}_{\mathbf{s}(k)n}^* d_{kl}^* - \sum_{n' \neq n} \bar{\rho}_{\mathbf{s}(k)n',n} d_{kl}^* \sum_{l'=0}^{L-1} \mu_{h_{m'n'}(l')} d_{kl'} - \bar{\rho}_{\mathbf{s}(k)n,n} d_{kl}^* \sum_{l' \neq l} \mu_{h_{mn}(l')} d_{kl'} \right) \tag{59}$$

and the precision (inverse variance) is given by

$$\psi_{mn}(l, k) = \gamma \bar{\rho}_{\mathbf{s}(k)n,n}. \tag{60}$$

In the above expression, the mean $\bar{\mu}_{\mathbf{s}(k)i}$ is the i th element of $\bar{\boldsymbol{\mu}}_{\mathbf{s}(k)}$ and cross-correlation $\bar{\rho}_{\mathbf{s}(k)i,j}$ is the i, j th element of matrix $\bar{\mathbf{R}}_{\mathbf{s}(k)}$.

Channel coefficients to observations: Since the observation factors are contained within the MF portion of the graph, posterior beliefs are returned to them from the channel coefficient

variables. The message (posterior) is given by

$$\begin{aligned}
& n_{h_{mn}(l) \rightarrow f_{Y_k}}(h_{mn}(l)) \\
&= \prod_{k=0}^{K-1} m_{f_{Y_k} \rightarrow h_{mn}(l)}(h_{mn}(l)) m_{f_{h_{mn}(l)} \rightarrow h_{mn}(l)}(h_{mn}(l)) \\
&\propto \exp \left\{ - \left[\sum_{k=0}^{K-1} \psi_{mn}(l, k) |h_{mn}(l) - \phi_{mn}(l, k)|^2 + \psi_{mn}^p(l) |h_{mn}(l) - \phi_{mn}^p(l)|^2 \right] \right\} \\
&\propto \exp \left\{ - |h_{mn}(l)|^2 \left(\sum_{k=0}^{K-1} \psi_{mn}(l, k) + \psi_{mn}^p(l) \right) \right. \\
&\quad \left. + 2\Re \left[h_{mn}(l) \left(\sum_{k=0}^{K-1} \psi_{mn}(l, k) \phi_{mn}^*(l, k) + \psi_{mn}^p(l) \phi_{mn}^{p*}(l) \right) \right] \right\} \\
&\propto \mathcal{CN}(h_{mn}(l); \mu_{h_{mn}(l)}, \sigma_{h_{mn}(l)}^2), \tag{61}
\end{aligned}$$

where the mean and variance of the message are given by

$$\mu_{h_{mn}(l)} = \frac{\sum_{k=0}^{K-1} \psi_{mn}(l, k) \phi_{mn}(l, k) + \psi_{mn}^p(l) \phi_{mn}^p(l)}{\sum_{k=0}^{K-1} \psi_{mn}(l, k) + \psi_{mn}^p(l)} \tag{62}$$

and

$$\sigma_{h_{mn}(l)}^2 = \left(\sum_{k=0}^{K-1} \psi_{mn}(l, k) + \psi_{mn}^p(l) \right)^{-1}, \tag{63}$$

respectively. It is useful to denote the mean and variance of the frequency-domain channel coefficients per subcarrier. According to 26, the mean and variance of $\tilde{h}_{mn}(k)$ are given by

$$\mu_{\tilde{h}_{mn}(k)} = \sum_{l=0}^{L-1} \mu_{h_{mn}(l)} d_{kl} \tag{64}$$

and

$$\sigma_{\tilde{h}_{mn}(k)}^2 = \sum_{l=0}^{L-1} \sigma_{h_{mn}(l)}^2, \tag{65}$$

respectively.

Observations to auxiliary variables: The likelihood function based on signal model (28) is expressed as given by

$$\begin{aligned}
& p(\mathbf{y}(k) | \mathbf{s}(k), \tilde{\mathbf{H}}(k)) \\
&= \exp \left\{ -\gamma \left(\mathbf{y}(k) - \tilde{\mathbf{H}}(k) \mathbf{s}(k) \right)^H \left(\mathbf{y}(k) - \tilde{\mathbf{H}}(k) \mathbf{s}(k) \right) \right\} \\
&= \exp \left\{ -\gamma \left(\mathbf{y}(k)^H \mathbf{y}(k) - 2\Re \left[\mathbf{y}(k)^H \tilde{\mathbf{H}}(k) \mathbf{s}(k) \right] + \mathbf{s}(k)^H \tilde{\mathbf{H}}(k)^H \tilde{\mathbf{H}}(k) \mathbf{s}(k) \right) \right\}. \tag{66}
\end{aligned}$$

In the constructed factor graph, the MF approximation message passing rule leads to the following message:

$$\begin{aligned} m_{f_{Y_k} \rightarrow \mathbf{s}(k)}(\mathbf{s}(k)) &= \exp \left\{ \int \cdots \int \prod_{m,n,l} n_{h_{mn}(l) \rightarrow f_{Y_k}}(h_{mn}(l)) \ln p(\mathbf{y}(k) | \mathbf{s}(k), \tilde{\mathbf{H}}(k)) d\mathbf{h} \right\} \\ &\propto \exp \left\{ -\gamma \left(\mathbf{s}(k)^H \mathbf{W}(k) \mathbf{s}(k) - 2\Re \left[\mathbf{y}(k)^H \Xi(k) \mathbf{s}(k) \right] \right) \right\} \end{aligned} \quad (67)$$

$$\propto \mathcal{CN} \left(\mathbf{s}(k); \mathbf{W}(k)^{-1} \Xi(k)^H \mathbf{y}(k), \gamma^{-1} \mathbf{W}(k)^{-1} \right), \quad (68)$$

where

$$\begin{aligned} \Xi(k) &= \int \cdots \int \prod_{m,n,l} n_{h_{mn}(l) \rightarrow f_{Y_k}}(h_{mn}(l)) \tilde{\mathbf{H}}(k) d\mathbf{h} \\ &= \begin{bmatrix} \mu_{\tilde{h}_{11}(k)} & \mu_{\tilde{h}_{12}(k)} & \cdots & \mu_{\tilde{h}_{1N}(k)} \\ \mu_{\tilde{h}_{21}(k)} & \mu_{\tilde{h}_{22}(k)} & & \vdots \\ \vdots & & \ddots & \\ \mu_{\tilde{h}_{M1}(k)} & \cdots & & \mu_{\tilde{h}_{MN}(k)} \end{bmatrix} \end{aligned} \quad (69)$$

and

$$\begin{aligned} \mathbf{W}(k) &= \int \cdots \int \prod_{m,n,l} n_{h_{mn}(l) \rightarrow f_{Y_k}}(h_{mn}(l)) \tilde{\mathbf{H}}(k)^H \tilde{\mathbf{H}}(k) d\mathbf{h} \\ &= \Xi(k)^H \Xi(k) + \sum_{m=1}^M \text{diag} \left(\sigma_{\tilde{h}_{m1}(k)}^2, \sigma_{\tilde{h}_{m2}(k)}^2, \dots, \sigma_{\tilde{h}_{mN}(k)}^2 \right). \end{aligned} \quad (70)$$

In the case in which $\mathbf{s}(k)$ is a discrete variable, the message may be determined (up to a multiplicative constant) by evaluating (67) with respect to $\mathbf{s}(k)$ which avoids the matrix inversion of (68).

REFERENCES

- [1] F. R. Kschischang, B. J. Frey, and H. A. Loeliger, "Factor graphs and the sum-product algorithm," *IEEE Trans. Inf. Theory*, vol. 47, no. 2, pp. 498–519, Feb. 2001.
- [2] A. P. Worthen and W. E. Stark, "Unified design of iterative receivers using factor graphs," *IEEE Trans. Inf. Theory*, vol. 47, no. 2, pp. 843–849, Feb. 2001.
- [3] H. Wymeersch, *Iterative Receiver Design*. Cambridge Univ. Press, 2007.
- [4] T. Wo, P. A. Hoeher, and Z. Shi, "Graph-based soft channel estimation for fast fading channels," *IEEE Trans. Wireless Commun.*, vol. 11, no. 12, pp. 4243–4251, Dec. 2012.
- [5] C. Knievel, P. Hoeher, A. Tyrrell, and G. Auer, "Multi-dimensional graph-based soft iterative receiver for MIMO-OFDM," *IEEE Trans. Commun.*, vol. 60, pp. 1599–1609, Jun. 2012.

- [6] N. Noels, V. Lottici, A. Dejonghe, H. Steendam, M. Moeneclaey, M. Luise, and L. Vandendorpe, "A theoretical framework for soft-information-based synchronization in iterative (turbo) receivers," *EURASIP J. Wireless Commun. Netw.*, vol. 2005, no. 2, pp. 117–129, Apr. 2005.
- [7] C. Herzet, N. Noels, V. Lottici, H. Wymeersch, M. Luise, M. Moeneclaey, and L. Vandendorpe, "Code-aided turbo synchronization," *Proc. IEEE*, vol. 95, no. 6, pp. 1255–1271, Jun. 2007.
- [8] D. Jakubisin, C. I. Phelps, and R. M. Buehrer, "Iterative joint detection, decoding, and synchronization with a focus on frame timing," in *Proc. IEEE Wireless Commun. Netw. Conf.*, Istanbul, Turkey, Apr. 2014, pp. 446–451.
- [9] D. J. Jakubisin and R. M. Buehrer, "Performance, complexity, and receiver design for code-aided frame synchronization in multipath channels," *IEEE Trans. Commun.*, vol. 63, no. 9, pp. 3363–3376, Sep. 2015.
- [10] M. J. Wainwright and M. I. Jordan, "Graphical models, exponential families, and variational inference," *Found. Trends Mach. Learning*, vol. 1, no. 1-2, pp. 1–305, Jan. 2008.
- [11] E. Riegler, G. Kirkelund, C. Manchon, M. Badiu, and B. Fleury, "Merging belief propagation and the mean field approximation: A free energy approach," *IEEE Trans. Inf. Theory*, vol. 59, no. 1, pp. 588–602, Jan. 2013.
- [12] B. Hu, I. Land, L. Rasmussen, R. Piton, and B. Fleury, "A divergence minimization approach to joint multiuser decoding for coded CDMA," *IEEE J. Sel. Areas Commun.*, vol. 26, no. 3, pp. 432–445, Apr. 2008.
- [13] G. Kirkelund, C. Manchon, L. Christensen, E. Riegler, and B. Fleury, "Variational message-passing for joint channel estimation and decoding in MIMO-OFDM," in *Proc. IEEE GLOBECOM*, Dec. 2010, pp. 1–6.
- [14] C. N. Manchón, G. E. Kirkelund, E. Riegler, L. P. Christensen, and B. H. Fleury, "Receiver architectures for MIMO-OFDM based on a combined VMP-SP algorithm," *arXiv preprint arXiv:1111.5848*, Nov. 2011.
- [15] J. S. Yedidia, W. Freeman, and Y. Weiss, "Constructing free-energy approximations and generalized belief propagation algorithms," *IEEE Trans. Inf. Theory*, vol. 51, no. 7, pp. 2282–2312, Jul. 2005.
- [16] M. Senst and G. Ascheid, "A combined belief propagation and mean field algorithm for soft carrier phase estimation," in *Proc. 8th Int. Symp. on Wireless Communication Systems (ISWCS)*, Nov 2011, pp. 512–516.
- [17] —, "A message passing approach to iterative Bayesian SNR estimation," in *Proc. Int. Symp. on Signals, Systems, and Electronics (ISSSE)*, Oct. 2012, pp. 1–6.
- [18] M. A. Badiu, G. E. Kirkelund, C. N. Manchn, E. Riegler, and B. H. Fleury, "Message-passing algorithms for channel estimation and decoding using approximate inference," in *Proc. IEEE International Symposium on Information Theory (ISIT)*, Jul. 2012, pp. 2376–2380.
- [19] M. Badiu, C. Manchon, and B. Fleury, "Message-passing receiver architecture with reduced-complexity channel estimation," *IEEE Commun. Lett.*, vol. 17, no. 7, pp. 1404–1407, Jul. 2013.
- [20] T. L. Hansen, P. B. Jørgensen, M.-A. Badiu, and B. H. Fleury, "Joint sparse channel estimation and decoding: Continuous and discrete domain sparsity," *arXiv preprint arXiv:1507.02954*, Jul. 2015.
- [21] O.-E. Barbu, C. N. Manchn, C. Rom, T. Balercia, and B. H. Fleury, "OFDM receiver for fast time-varying channels using block-sparse Bayesian learning," *IEEE Trans. Veh. Technol.*, *submitted for publication*, 2016.
- [22] Z. Yuan, C. Zhang, Z. Wang, Q. Guo, S. Wu, and X. Wang, "A low-complexity receiver using combined BP-MF for joint channel estimation and decoding in OFDM systems," *arXiv preprint arXiv:1601.05856*, 2016.
- [23] C. Zhang, Z. Yuan, Z. Wang, and Q. Guo, "Low complexity sparse Bayesian learning using combined BP and MF with a stretched factor graph," *arXiv preprint arXiv:1602.07762*, 2016.
- [24] C. N. Manchon, G. E. Kirkelund, B. Fleury, P. Mogensen, L. Deneire, T. B. Sorensen, and C. Rom, "Interference cancellation based on divergence minimization for MIMO-OFDM receivers," in *Proc. IEEE GLOBECOM*, Nov 2009, pp. 1–6.
- [25] M. A. Badiu, C. N. Manchn, V. Bota, and B. H. Fleury, "Distributed iterative processing for interference channels with

- receiver cooperation,” in *Proc. 7th International Symposium on Turbo Codes and Iterative Information Processing (ISTC)*, Aug. 2012, pp. 140–144.
- [26] C. N. Manchon, B. Fleury, G. E. Kirkelund, P. Mogensen, L. Deneire, T. B. Sorensen, and C. Rom, “Channel estimation based on divergence minimization for OFDM systems with co-channel interference,” in *Proc. IEEE ICC*, Jun. 2009, pp. 1–6.
- [27] C. Zhang, C. N. Manchon, Z. Wang, and B. H. Fleury, “Message-passing receivers for single carrier systems with frequency-domain equalization,” *IEEE Signal Process. Lett.*, vol. 22, no. 4, pp. 404–407, Apr. 2015.
- [28] M. Witzke, S. Baro, F. Schreckenbach, and J. Hagenauer, “Iterative detection of MIMO signals with linear detectors,” in *Conf. Rec. 36th Asilomar Conf. Signals Syst. Comput.*, vol. 1, 2002, pp. 289–293.
- [29] L. Ping, L. Liu, K. Wu, and W. K. Leung, “Interleave division multiple-access,” *IEEE Trans. Wireless Commun.*, vol. 5, pp. 938–947, Apr. 2006.
- [30] P. Salvo Rossi and R. Muller, “Joint twofold-iterative channel estimation and multiuser detection for MIMO-OFDM systems,” *IEEE Trans. Wireless Commun.*, vol. 7, no. 11, pp. 4719–4729, 2008.
- [31] W. Jiang and D. Li, “Iterative single-antenna interference cancellation: algorithms and results,” *IEEE Trans. Veh. Technol.*, vol. 58, no. 5, pp. 2214–2224, Jun. 2009.
- [32] D. J. Jakubisin and R. M. Buehrer, “Approximate joint MAP detection of co-channel signals,” in *Proc. IEEE MILCOM*, Tampa, FL, Oct. 2015, pp. 1530–1535.
- [33] ———, “Approximate joint MAP detection of co-channel signals in non-Gaussian noise,” *IEEE Trans. Commun.*, *submitted for publication*, 2015.
- [34] T. P. Minka, “Expectation propagation for approximate Bayesian inference,” in *Proc. 17th Conf. Uncertainty Artificial Intell.*, ser. UAI’01. San Francisco, CA, USA: Morgan Kaufmann Publishers Inc., 2001, pp. 362–369.
- [35] J. Hu, H.-A. Loeliger, J. Dauwels, and F. Kschischang, “A general computation rule for lossy summaries/messages with examples from equalization,” in *Proc. 44th Allerton Conf. Commun. Control Comput.*, Monticello, IL, Sep. 2006.
- [36] M. Senst and G. Ascheid, “How the framework of expectation propagation yields an iterative IC-LMMSE MIMO receiver,” in *Proc. IEEE GLOBECOM*, Dec. 2011, pp. 1–6.
- [37] P. Sun, C. Zhang, Z. Wang, C. Navarro Manchon, and B. Fleury, “Iterative receiver design for ISI channels using combined belief- and expectation-propagation,” *IEEE Signal Process. Lett.*, vol. PP, no. 99, pp. 1–1, 2015.
- [38] S. Wu, L. Kuang, Z. Ni, J. Lu, D. D. Huang, and Q. Guo, “Expectation propagation approach to joint channel estimation and decoding for OFDM systems,” in *Proc. IEEE ICASSP*, May 2014, pp. 1941–1945.
- [39] S. Wu, L. Kuang, Z. Ni, Q. Guo, J. Lu *et al.*, “Message-passing receiver for joint channel estimation and decoding in broadband massive MIMO systems,” *arXiv preprint arXiv:1509.09059*, 2015.
- [40] W. Wang, Z. Wang, C. Zhang, Q. Guo, P. Sun, and X. Wang, “A BP-MF-EP based iterative receiver for joint phase noise estimation, equalization and decoding,” *arXiv preprint arXiv:1603.04163*, 2016.
- [41] S. Rangan, “Generalized approximate message passing for estimation with random linear mixing,” in *Proc. IEEE Int. Symp. Inform. Theory*, Jul. 2011, pp. 2168–2172.
- [42] Q. Guo and L. Ping, “LMMSE turbo equalization based on factor graphs,” *IEEE J. Sel. Areas Commun.*, vol. 26, no. 2, pp. 311–319, Feb. 2008.