

SIBIRSKIE ÈLEKTRONNYE  
MATEMATICHESKIE IZVESTIYA

Siberian Electronic Mathematical Reports

<http://semr.math.nsc.ru>

Vol 12, pp. 508–512 (2015)

UDC 519.143

DOI 10.17377/semi.2015.12.043

MSC 05B15

ON THE NUMBER OF MAXIMUM INDEPENDENT SETS  
IN DOOB GRAPHS

D. S. KROTOV

ABSTRACT. The Doob graph  $D(m, n)$  is a distance-regular graph with the same parameters as the Hamming graph  $H(2m+n, 4)$ . The maximum independent sets in the Doob graphs are analogs of the distance-2 MDS codes in the Hamming graphs. We prove that the logarithm of the number of the maximum independent sets in  $D(m, n)$  grows as  $2^{2m+n-1}(1+o(1))$ . The main tool for the upper estimation is constructing an injective map from the class of maximum independent sets in  $D(m, n)$  to the class of distance-2 MDS codes in  $H(2m+n, 4)$ .

**Keywords:** Doob graph, independent set, MDS code, latin hypercube.

## 1. INTRODUCTION

The Cartesian product  $D(m, n) \stackrel{\text{def}}{=} \text{Sh}^m \times K_4^n$  of  $m$  copies of the Shrikhande graph  $\text{Sh}$  (see Figure 1) and  $n$  copies of the complete graph  $K_q$  of order  $q = 4$  is called a *Doob graph* if  $m > 0$ , while  $D(0, n)$  is the *Hamming graph*  $H(n, 4)$  (in general  $H(n, q) \stackrel{\text{def}}{=} K_q^n$ ). The Doob graph  $D(m, n)$  is a distance-regular graph with the same parameters as  $H(2m+n, 4)$ , see e.g. [1, §9.2.B]. It is easy to see that the independence number of this graph is  $4^{2m+n-1}$ . The maximum independent sets in the Hamming graphs are known as the distance-2 MDS codes (below, simply *MDS codes*), or the latin hypercubes (in the last case, one of the coordinates is usually considered as a function of the others). It is naturally to call the maximum independent sets in Doob graphs by the same notion, the *MDS codes*. Indeed, the

---

KROTOV, D. S., ON THE NUMBER OF MAXIMUM INDEPENDENT SETS IN DOOB GRAPHS.

© 2015 KROTOV D.S.

THE RESULTS WERE PRESENTED AT THE INTERNATIONAL CONFERENCE AND PHD SUMMER SCHOOL “GROUPS AND GRAPHS, ALGORITHMS AND AUTOMATA” (AUGUST 09-15, 2015, YEKATERINBURG, RUSSIA).

THE WORK WAS FUNDED BY THE RUSSIAN SCIENCE FOUNDATION (GRANT NO 14-11-00555).

Received August, 4, 2015, published September, 11, 2015.

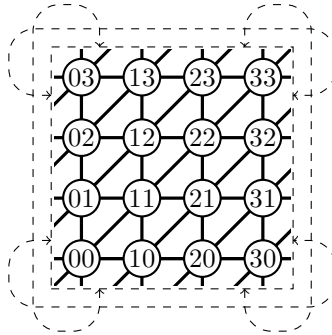


FIGURE 1. The Shrikhande graph drawn on a torus; the vertices are identified with the elements of  $Z_4^2$

maximum independent sets in  $D(m, n)$  and the MDS codes in  $H(2m + n, 4)$  have the same parameters being considered as error-correcting codes (see [5] for the background on error-correcting codes) and as completely regular codes (see e.g. [1, §11.3]). (The concept of the latin hypercubes can also be generalized to  $D(m, n)$ ; however, to do this, we need at least one  $K_4$  coordinate to treat as dependent, i.e.,  $n > 0$ .) There are 4 trivial MDS codes in  $D(0, 1)$ ; 24 equivalent MDS codes in  $D(0, 2)$  (16 of them can be found in Figure 2); 16 MDS codes in  $D(1, 0)$  (see Figure 2), which form two equivalence classes (with 4 and 12 representatives, respectively).

The main result of the current correspondence is the following.

**Theorem 1.** *The number of the maximum independent sets (distance-2 MDS codes) in the Doob graph  $D(m, n)$  grows as  $2^{2^{2m+n-1}(1+o(1))}$  as  $(2m + n) \rightarrow \infty$ .*

The statement of the theorem is straightforward from Corollaries 1 (an upper bound) and 2 (a lower bound) proven in the next two sections.

## 2. AN UPPER BOUND

In this section, we describe a rather simple recursive way to map injectively the set  $\text{MDS}_{m,n}$  of MDS codes in  $D(m, n)$  into  $\text{MDS}_{0,2m+n}$ . At first, we define the map  $\xi$  from  $\text{MDS}_{1,0}$  into  $\text{MDS}_{0,2}$ , see Figure 2.

For arbitrary  $m, n \geq 0$ , the action of  $\kappa : \text{MDS}_{m+1,n} \rightarrow \text{MDS}_{m,n+2}$  is defined as follows:

$$\kappa M \stackrel{\text{def}}{=} \{(x_1, \dots, x_m, z_1, z_2, y_1, \dots, y_n) \in D(m, n + 2) \mid (z_1, z_2) \in \xi M_{x_1, \dots, x_m, y_1, \dots, y_n}\},$$

where

$$M_{x_1, \dots, x_m, y_1, \dots, y_n} \stackrel{\text{def}}{=} \{v \in \text{Sh} \mid (x_1, \dots, x_m, v, y_1, \dots, y_n) \in M\}$$

**Lemma 1.** *For every MDS code in  $D(m + 1, n)$ , the set  $\kappa M$  is an MDS code in  $D(m, n + 2)$ .*

*Proof.* The map  $\xi$  has the following important property, which can be checked directly, see Figure 2: two MDS codes  $M'$  and  $M''$  in  $D(1, 0)$  intersect if and only if their images  $\xi M'$  and  $\xi M''$  intersect. Since  $M$  is an independent set,  $M_{x_1, \dots, x_m, y_1, \dots, y_n}$  and  $M_{u_1, \dots, u_m, w_1, \dots, w_n}$  (and hence, also  $\xi M_{x_1, \dots, x_m, y_1, \dots, y_n}$  and  $\xi M_{u_1, \dots, u_m, w_1, \dots, w_n}$ ) are disjoint for any two neighbor vertices  $(x_1, \dots, x_m, y_1, \dots, y_n)$  and  $(u_1, \dots, u_m, w_1,$

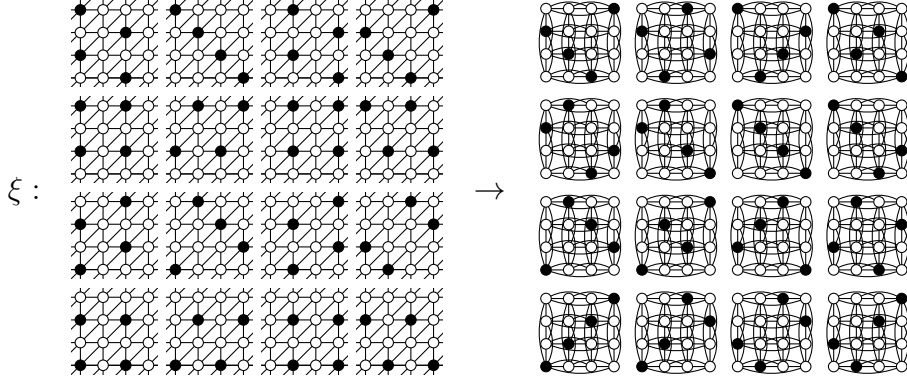


FIGURE 2. The 16 MDS codes in Sh and the corresponding MDS codes in  $K_4^2$

...,  $w_n$ ) of  $D(m, n)$ . It follows that  $\kappa M$  is also an independent set. Moreover, it has the same cardinality as  $M$ , i.e.,  $4^{2m+n+1}$ .  $\square$

Then,  $\kappa^m$ , the  $m$ th iteration of  $\kappa$ , maps  $MDS_{m,n}$  into  $MDS_{0,2m+n}$ .

**Corollary 1.** *The number of the MDS codes in  $D(m, n)$  does not exceed*

$$2^{2^{2m+n-1}(1+o(1))}.$$

*Proof.* Since  $\kappa$  obviously maps different MDS codes to different MDS codes, the statement of the corollary in the general case can be inductively reduced to the partial case  $m = 0$ , which was proven in [8], see also [2].  $\square$

### 3. A LOWER BOUND

In this section, we consider a simple way to construct doubly exponential (with respect to the graph diameter  $2m + n$ ) number of MDS codes in the Doob graph  $D(m, n)$ .

The vertices of Sh will be identified with the pairs  $ab$  (considered as a short notation for  $(a, b)$ ), where  $a, b \in \{0, 1, 2, 3\}$ , see Figure 1. The vertices of  $K_4$  will be identified with the pairs  $ab$ , where  $a, b \in \{0, 1\}$ . For every function  $\lambda$  from  $\{0, 1, 2, 3\}^m \times \{0, 1\}^n$  to  $\{0, 1\}$ , we define the set

$$M_\lambda \stackrel{\text{def}}{=} \left\{ (x'_1 x''_1, \dots, x'_{m+n} x''_{m+n}) \in D(m, n) \mid \begin{array}{l} \sum_{i=1}^{m+n} x'_i \equiv 0 \pmod{2}, \\ \sum_{i=1}^{m+n} x''_i \equiv \lambda(x'_1, \dots, x'_{m+n}) \pmod{2} \end{array} \right\}.$$

**Lemma 2.** *For any function  $\lambda : \{0, 1, 2, 3\}^m \times \{0, 1\}^n \rightarrow \{0, 1\}$ , the set  $M_\lambda$  is an MDS code in  $D(m, n)$ .*

*Proof.* It is easy to see that if  $m < i \leq m + n$ , then for any values of  $x'_1 x''_1, \dots, x'_{i-1} x''_{i-1}, x'_{i+1} x''_{i+1}, \dots, x'_{m+n} x''_{m+n}$  there is a unique pair  $x'_i x''_i$  such that  $(x'_1 x''_1, \dots, x'_{m+n} x''_{m+n}) \in M_\lambda$ . If  $1 \leq i \leq m$ , then there are four such pairs (two possibilities for  $x'_i$ , of the same parity, and for each choice of  $x'_i$ , two possibilities for

$x''_i$ ), but they correspond to pairwise independent vertices of the Shrikhande graph. Consequently, at first,  $|M_\lambda| = 4^{2^{m+n-1}}$ , and at second,  $M_\lambda$  is an independent set.  $\square$

**Corollary 2.** *There are at least  $2^{2^{2^{m+n-1}}}$  different MDS codes in  $D(m, n)$ .*

*Proof.* We will say that two functions from  $\{0, 1, 2, 3\}^m \times \{0, 1\}^n$  to  $\{0, 1\}$  are essentially different if their values are different in at least one point  $(x'_1, \dots, x'_{m+n})$  satisfying  $x'_1 + \dots + x'_{m+n} \equiv 0 \pmod{2}$ . The number of essentially different functions is  $2^{2^{2^{m+n-1}}}$ . Obviously, essentially different functions  $\lambda$  lead to different MDS codes  $M_\lambda$ .  $\square$

#### 4. CONCLUSION

We have established the asymptotics of  $\log |MDS_{m,n}|$ , generalizing the similar result for the MDS codes in the Hamming graph  $H(n, 4)$  [2], [8]. Note that the case  $q = 4$  is the only nontrivial case when the asymptotics of the double logarithm of the number of MDS codes is known ( $n \rightarrow \infty$ ,  $q$  is fixed). Known bounds for the other cases can be found in [4], [9]; the exact values for small  $q$  and  $n$ , in [6], [7], [9].

A constructive characterization of the class  $MDS_{0,n}$  can be found in [3]. A possibility to relate the MDS codes (maximum independent sets) in  $D(m, n)$  with MDS codes in  $D(2m+n, 4)$  using the map  $\kappa^m$  suggests that a similar characterization might be possible for  $MDS_{m,n}$  with arbitrary  $m$ . However, it is not completely clear if the map  $\kappa^m$  itself can be helpful for a reasonable proof of such characterization. Since the map  $\kappa$  is not point-to-point, the result of the  $m$ th iteration of  $\kappa$  can depend on the order of coordinates. As a result, it is not easy to track which subclass of  $MDS_{0,2m+n}$  we obtain as the image of  $MDS_{m,n}$  under  $\kappa^m$  and to describe this subclass in terms of the known characterization of  $MDS_{0,2m+n}$ . In any case, finding a characterization of the class  $MDS_{m,n}$ , using  $\kappa$  or not, will be a natural continuation of the current research.

#### REFERENCES

- [1] A. E. Brouwer, A. M. Cohen, A. Neumaier. *Distance-Regular Graphs*, Springer-Verlag, Berlin, 1989. MR1002568
- [2] D. S. Krotov, V. N. Potapov. *On the reconstruction of  $n$ -quasigroups of order 4 and the upper bounds on their number*, in Proc. the Conference Devoted to the 90th Anniversary of Alexei A. Lyapunov, Novosibirsk, Russia, Oct. 2001. 323–327. <http://www.sbras.ru/ws/Lyap2001/2363>
- [3] D. S. Krotov, V. N. Potapov.  *$n$ -Ary quasigroups of order 4*, SIAM J. Discrete Math., **23**:2 (2009), 561–570. DOI:10.1137/070697331. MR2496903 arXiv:math/0701519
- [4] D. S. Krotov, V. N. Potapov, P. V. Sokolova. *On reconstructing reducible  $n$ -ary quasigroups and switching subquasigroups*. Quasigroups Relat. Syst., **16**:1 (2008), 55–67. DOI:10.17686/sced\_rusnauka\_2008-1040. MR2435527 arXiv:math/0608269
- [5] F. J. MacWilliams, N. J. A. Sloane. *The Theory of Error-Correcting Codes*, North Holland, Amsterdam, 1977. MR0465509 MR0465510
- [6] B. D. McKay, I. M. Wanless. *On the number of Latin squares*, Ann. Comb., **9**:3 (2005), 335–344. DOI:10.1007/s00026-005-0261-7. MR2176596 arXiv:0909.2101
- [7] B. D. McKay, I. M. Wanless. *A census of small Latin hypercubes*, SIAM J. Discrete Math., **22**:2 (2008), 719–736. DOI:10.1137/070693874. MR2399374
- [8] V. N. Potapov, D. S. Krotov. *Asymptotics for the number of  $n$ -quasigroups of order 4*, Sib. Math. J., **47**:4 (2006), 720–731. DOI:10.1007/s11202-006-0083-9, translated from Sib. Mat. Zh., **47**:4 (2006), 873–887. MR2265289 arXiv:math/0605104

- [9] V. N. Potapov, D. S. Krotov. *On the number of  $n$ -ary quasigroups of finite order*, Discrete Math. Appl., **21**:5–6 (2011), 575–585. DOI:10.1515/dma.2011.035, translated from Diskret. Mat., **24**:1 (2012), 60–69. MR2963730 arXiv:0912.5453

DENIS STANISLAVOVICH KROTOV  
SOBOLEV INSTITUTE OF MATHEMATICS,  
PR. AKADEMIKA KOPTYUGA, 4,  
630090, NOVOSIBIRSK, RUSSIA  
*E-mail address*: krotov@math.nsc.ru

---

\*FURTHER READING:

- [10] D. S. Krotov, E. A. Bepalov.  
*Distance-2 MDS codes and latin colorings in the Doob graphs*,  
arXiv:1510.01429