

# Quantum error detection improves accuracy of chemical calculations on a quantum computer

Miroslav Urbanek\* and Wibe Albert de Jong

*Computational Research Division, Lawrence Berkeley National Laboratory, Berkeley, CA 94720, USA*

Benjamin Nachman

*Physics Division, Lawrence Berkeley National Laboratory, Berkeley, CA 94720, USA*

The ultimate goal of quantum error correction is to achieve the fault-tolerance threshold beyond which quantum computers can be made arbitrarily accurate. This requires extraordinary resources and engineering efforts. We show that even without achieving full fault-tolerance, quantum error detection is already useful on the current generation of quantum hardware. We demonstrate this by executing an end-to-end chemical calculation for the hydrogen molecule encoded in the  $[[4, 2, 2]]$  quantum error-detecting code. The encoded calculation with logical qubits significantly improves the accuracy of the molecular ground-state energy.

## I. INTRODUCTION

Predicting chemical properties from first principles is a notoriously hard problem. Quantum computing promises efficient methods for such calculations that can reach far beyond the abilities of classical computers [1]. Large-scale calculations on quantum computers will require an ability to detect and correct errors. However, near-term devices known as noisy intermediate-scale quantum (NISQ) computers [2] are not expected to be fully fault-tolerant. Despite this limitation, they can still be useful for solving certain problems in physics and chemistry. In particular, the variational quantum eigensolver (VQE) [3, 4] is an algorithm designed to work well on NISQ computers. It has been experimentally demonstrated that VQE is able to find the ground state as well as excited states of small quantum systems encountered in quantum chemistry and nuclear physics [3, 5–12]. The performance of NISQ algorithms is currently limited by gate errors and device noise. Several novel error mitigation and suppression techniques have been developed to overcome the imperfections of real devices [13–24].

Quantum error correction (QEC) is a theory developed in the last two decades to address this problem in a systematic way. The ultimate goal of QEC is to achieve the fault-tolerance threshold. Fault-tolerance requires a large number of qubits, long coherence times, and low gate errors [25–28]. However, QEC can still be useful even without achieving the fault-tolerance threshold and even with only a small number of qubits [29–31]. QEC can potentially increase coherence times and reduce error rates in existing devices. There have been efforts to demonstrate that quantum circuits using QEC codes can improve accuracy, or at least break even, in comparison with the original circuits. Previous experiments studied the traditional three-qubit quantum code [32] and also demonstrated necessary improvements in qubit and gate

qualities for QEC [33–35]. There has also been a growing interest in studying the  $[[4, 2, 2]]$  quantum code [36–41]. All these efforts have tested individual steps of QEC protocols separately. QEC has never been demonstrated to provide a tangible benefit in practical applications.

In this work we demonstrate that QEC provides an improvement in accuracy in an end-to-end quantum-chemical calculation. We have implemented a two-qubit VQE algorithm for calculating the ground-state energy of the hydrogen dimer in the  $[[4, 2, 2]]$  QEC code [26, 42, 43]. Instead of two physical qubits, the calculation uses two logical qubits encoded in four physical qubits. The code facilitates detection of a single bit-flip and phase-flip error in either of the two logical qubits. Our circuit additionally uses two ancillary qubits to perform a syndrome measurement during the initial state preparation and to perform a logical qubit rotation. Using the  $[[4, 2, 2]]$  code goes a step beyond the experiments with the three-qubit quantum code that encodes only a single logical qubit and cannot simultaneously correct a bit-flip and a phase-flip error [25, 26].

We first describe the problem being solved, briefly summarize the VQE algorithm, and present a two-qubit circuit implementing the algorithm. We then discuss the  $[[4, 2, 2]]$  code and show how to implement the required logical gates. This leads to a six-qubit encoded circuit. Our numerical simulations predict that the encoded circuit should outperform the physical circuit up to a fairly large error rate. We then discuss the implementation of both the two-qubit and the six-qubit circuit on the IBM Q Experience platform and show that the encoded circuit improves the accuracy of the potential energy curve of the molecule.

## II. QUANTUM ALGORITHM

Finding the ground-state energy of the  $H_2$  molecule in the minimal basis is the simplest molecular electronic-structure problem. It is often used as a benchmark to investigate the performance of quantum-chemical algo-

\* urbanek@lbl.gov

gorithms on quantum computers. The respective molecular Hamiltonian can be transformed into a qubit Hamiltonian using the Jordan–Wigner [44], Bravyi–Kitaev [45], or another similar transformation. Here we use an explicit transformation defined in Ref. [8] that maps the subspace of the Hamiltonian corresponding to two electrons with zero total spin to a two-qubit Hamiltonian. The transformed Hamiltonian is given by

$$H = g_1 + g_2 Z_1 + g_3 Z_2 + g_4 Z_1 Z_2 + g_5 X_1 X_2, \quad (1)$$

where  $X_i$ ,  $Y_i$ , and  $Z_i$  denote Pauli operators acting on qubit  $i$  and  $g_j$  are classically-calculated coefficients that depend on the internuclear separation  $R$ . We use values of  $g_j$  published in Ref. [8].

The VQE algorithm performs particularly well for this problem. It is a hybrid quantum-classical algorithm that uses a quantum computer to create and measure the properties of a parametrized trial wavefunction and a classical computer to optimize the wavefunction parameters. Our trial wavefunction is the unitary coupled-cluster (UCC) ansatz [5, 8, 10, 46, 47]

$$|\psi(\theta)\rangle = e^{-i\theta X_1 X_2/2} |\Phi\rangle, \quad (2)$$

where  $\theta$  is a parameter and  $|\Phi\rangle = |00\rangle$  is the Hartree–Fock wavefunction. The wavefunction energy is given by

$$E(\theta) = g_1 + g_2 \langle Z_1 \rangle_\theta + g_3 \langle Z_2 \rangle_\theta + g_4 \langle Z_1 Z_2 \rangle_\theta + g_5 \langle X_1 X_2 \rangle_\theta, \quad (3)$$

where  $\langle O \rangle_\theta = \langle \psi(\theta) | O | \psi(\theta) \rangle$ . VQE uses a quantum computer to estimate the expectation values included in  $E(\theta)$  and a classical optimizer to find the value of  $\theta$  that minimizes  $E(\theta)$ . Since our ansatz depends on a single parameter only, we sample the full domain of  $\theta$  and use a peak-finding routine to minimize  $E(\theta)$ . It is then sufficient to sample the individual expectation values in Eq. (3) only once and use the same data with any set of coefficients  $g_j$ . A quantum circuit that implements VQE is shown in the top of Fig. 1.

### III. ERROR-DETECTING CODE

Our goal is to compare the performance of a circuit implemented with physical qubits to a circuit implemented with logical qubits of the  $[[4, 2, 2]]$  code. This code maps two logical qubits into a subspace of four physical qubits as

$$\begin{aligned} \overline{|00\rangle} &= \frac{1}{\sqrt{2}} (|0000\rangle + |1111\rangle), \\ \overline{|01\rangle} &= \frac{1}{\sqrt{2}} (|0011\rangle + |1100\rangle), \\ \overline{|10\rangle} &= \frac{1}{\sqrt{2}} (|0101\rangle + |1010\rangle), \\ \overline{|11\rangle} &= \frac{1}{\sqrt{2}} (|0110\rangle + |1001\rangle), \end{aligned} \quad (4)$$

where an overline denotes a logical wavefunction. This mapping allows for the detection of one single-qubit error. To implement the circuit we have to construct the required logical gates from the set of available physical gates. Our set of physical gates is limited to arbitrary single-qubit gates and  $CNOT$  gates between any pairs of physical qubits.

The encoded circuit is shown in the bottom of Fig. 1. Its first part is a preparation of the initial logical state  $\overline{|00\rangle}$ . The circuit uses an ancilla measurement to detect an error during the preparation [29]. The measurement outcome zero corresponds to no error while the outcome one signals an error.

Some logical gates can be implemented easily because the corresponding physical gates act transversally, i.e., they can be implemented with only single-qubit physical gates. The  $[[4, 2, 2]]$  code also facilitates a very simple implementation of the logical  $CNOT$  gates as  $\overline{CNOT}_{12} = SWAP_{12}$  and  $\overline{CNOT}_{21} = SWAP_{13}$ , where an overline denotes a logical gate and  $SWAP_{ij}$  swaps physical qubits  $i$  and  $j$  [41]. We implement  $SWAP_{ij}$  and therefore the  $\overline{CNOT}$  gates without performing any physical operation by relabelling the respective qubits.

The arbitrary-angle rotation of the first logical qubit  $\overline{R}_y^1(\theta)$  cannot be implemented transversally. We apply this gate by entangling the logical qubit with an ancilla and performing a rotation and a measurement on the ancilla. The measurement outcome zero projects the wavefunction onto the rotated logical state. The gate works correctly only if the logical qubit is initially in the  $\overline{|0\rangle}$  state. A general gate would require additional physical gates.

### IV. EXPERIMENT

The algorithm can be summarized as follows. We sample the  $\langle Z_1 \rangle_\theta$ ,  $\langle Z_2 \rangle_\theta$ ,  $\langle Z_1 Z_2 \rangle_\theta$ , and  $\langle X_1 X_2 \rangle_\theta$  terms for  $\theta \in [-\pi, \pi)$  on a quantum computer. The  $\langle Z_1 \rangle_\theta$ ,  $\langle Z_2 \rangle_\theta$ , and  $\langle Z_1 Z_2 \rangle_\theta$  terms can be measured with a single circuit without any basis transformations. However, it is necessary to perform a basis transformation to measure the  $\langle X_1 X_2 \rangle_\theta$  term. We therefore execute the circuit with  $R_t = I$  to measure  $\langle Z_1 \rangle_\theta$ ,  $\langle Z_2 \rangle_\theta$ , and  $\langle Z_1 Z_2 \rangle_\theta$ , and with  $R_t = H$  to measure  $\langle X_1 X_2 \rangle_\theta$ . We then calculate the ground-state energy for each internuclear separation  $R$  by minimizing  $E(\theta)$ .

We ran both the two-qubit logical circuit and the six-qubit encoded circuit on the Tokyo chip on IBM Q Experience. The major errors are readout errors [6, 9, 48]. If a qubit is in the  $|0\rangle$  state there is a significant probability of measuring outcome one and vice versa. The readout errors are asymmetric, i.e., the probability of measuring zero when a qubit state is  $|1\rangle$  is higher than the probability of measuring one when the state is  $|0\rangle$ . This is mostly due to the readout time being significant in comparison to the  $T_1$  coherence time, so the qubit can decay from the  $|1\rangle$  state to the  $|0\rangle$  state during the readout. We employed a readout error correction tech-

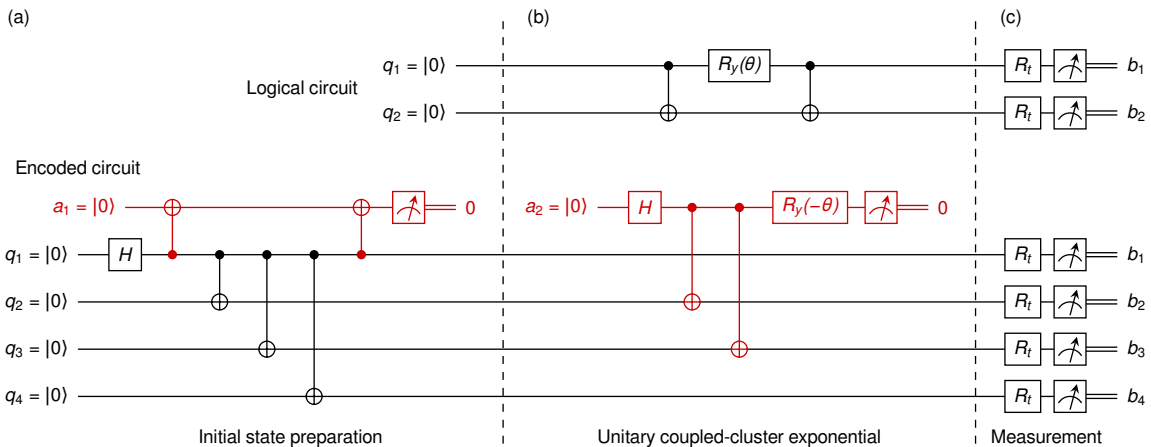


FIG. 1. Quantum circuits for the preparation of the UCC ansatz and for the measurement of the expectation values in Eq. (3). The two-qubit logical circuit is shown above the corresponding six-qubit encoded circuit. Qubits  $a_1$  and  $a_2$  are ancillas. (a) The first section of the encoded circuit prepares the  $|00\rangle$  logical state. Ancilla  $a_1$  is used to detect errors during the preparation. (b) The middle circuit sections apply the UCC exponential. Encoded  $\overline{CNOT}_{12}$  gates are implemented by swapping qubits  $q_1$  and  $q_2$  and are not shown here. We use ancilla  $a_2$  to implement the rotation  $\overline{R}_y^1(\theta)$ . The rotation circuit applies a  $\theta$ -rotation and a  $-\theta$ -rotation to the  $|0\rangle$  and  $|1\rangle$  states of the first logical qubit, respectively. The complete circuit performs a  $\theta$ -rotation because our logical wavefunction is initially prepared in the  $|00\rangle$  state. (c) The last circuit sections are the expectation value measurements. Gates  $R_t$  perform a basis transformation that depends on the measured term. In particular,  $R_t = I$  for the  $\langle Z_1 \rangle_\theta$ ,  $\langle Z_2 \rangle_\theta$ , and  $\langle Z_1 Z_2 \rangle_\theta$  terms as the respective operators are already diagonal in the computational basis and  $R_t = H$  for the  $\langle X_1 X_2 \rangle_\theta$  term.

nique known as unfolding [49, 50] based on a Bayesian probabilistic model [51–53] to correct the readout errors. We first measured and estimated the probability of each outcome when the qubits were prepared in each computational basis state. We then used this probability matrix to iteratively unfold all measured counts to corresponding true counts.

The chip contained 20 qubits arranged in a two-dimensional geometry. There were 72 ways to map our two-qubit physical circuit and 288 ways to map our six-qubit encoded circuit to the chip qubits. We found that the results depended significantly on the chosen qubits and also on the order of the applied gates. The result variability is illustrated in Fig. 2. The  $\langle X_1 X_2 \rangle_\theta$  term is the most sensitive term in Eq. (3). To find an optimal mapping, we measured  $\langle X_1 X_2 \rangle_\theta$  for  $\theta = -3\pi/4, -\pi/2, -\pi/4, 0, \pi/4, \pi/2$ , and  $3\pi/4$ , applied readout error corrections, and calculated the  $\ell_1$  distances between the corrected results and the exact results for each mapping. We used the mappings with the smallest distances to run the final circuits. The compiler reordered commuting gates based on the qubit mapping, so this technique took into account both the qubit mapping and the gate order variability.

We executed the final calculations for both the two-qubit and the six-qubit circuit using the optimal mappings. The  $\langle Z_1 \rangle_\theta$ ,  $\langle Z_2 \rangle_\theta$ ,  $\langle Z_1 Z_2 \rangle_\theta$ , and  $\langle X_1 X_2 \rangle_\theta$  terms were obtained for 257 values of  $\theta$  in the  $[-\pi, \pi]$  interval. Each measured value was sampled with 8192 shots. For the encoded six-qubit circuit we postselected the outcomes based on their ancilla values. In particular, we measured all six qubits, performed readout error corrections, and

discarded outcomes with nonzero ancilla values. The outcomes outside the code space were discarded as well. We renormalized the remaining outcomes and summed counts of constituent basis states in Eq. (4) to calculate the logical state counts. The calculated expectation values of the Hamiltonian terms are shown in Fig. 3. We then used a peak-finding routine to find  $\theta$  that minimized the energy in Eq. (3) for each internuclear separation. The calculated energy potential curves are shown in Fig. 4. The results demonstrate that the six-qubit encoded circuit improves the accuracy of the ground-state energy.

## V. DISCUSSION

In summary, we designed a circuit for a VQE calculation within the  $[[4, 2, 2]]$  quantum error-detecting code space. We executed the circuit on a quantum chip and observed an improvement in the calculated ground-state energy of the  $H_2$  molecule. Our encoded circuit requires more physical qubits and gates than our logical circuit and therefore is more error-prone. However, the gain by using the code was larger than the loss due to the circuit complexity. The results show that quantum error-detection is already useful on NISQ devices even without achieving full fault-tolerance. The presented method can be used in addition to other error mitigation techniques. Our implementation uses two ancillary qubits with postselection on their measured outcomes. In principle, it would be possible to use just one ancilla if we had an ability to

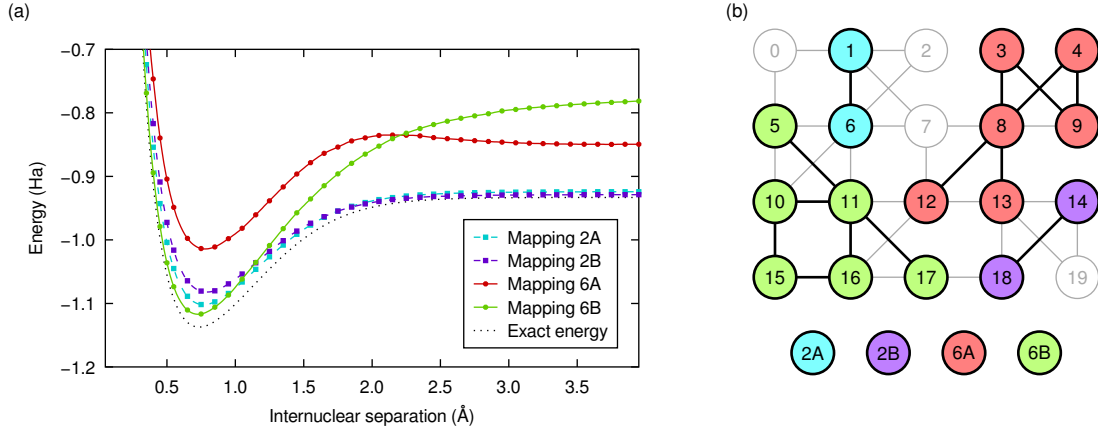


FIG. 2. (a) Examples of variability in the calculated potential energy curves obtained using two random mappings for each circuit on the 20-qubit Tokyo chip. Gate sequences depend on the chosen mapping as well. (b) Chip geometry with highlighted qubit mappings. Mappings 2A and 2B are two-qubit mappings  $(q_1, q_2) = (1, 6)$  and  $(q_1, q_2) = (14, 18)$ . Mappings 6A and 6B are six-qubit mappings  $(a_1, a_2, q_1, q_2, q_3, q_4) = (13, 9, 8, 4, 3, 12)$  and  $(a_1, a_2, q_1, q_2, q_3, q_4) = (5, 15, 11, 16, 10, 17)$ .

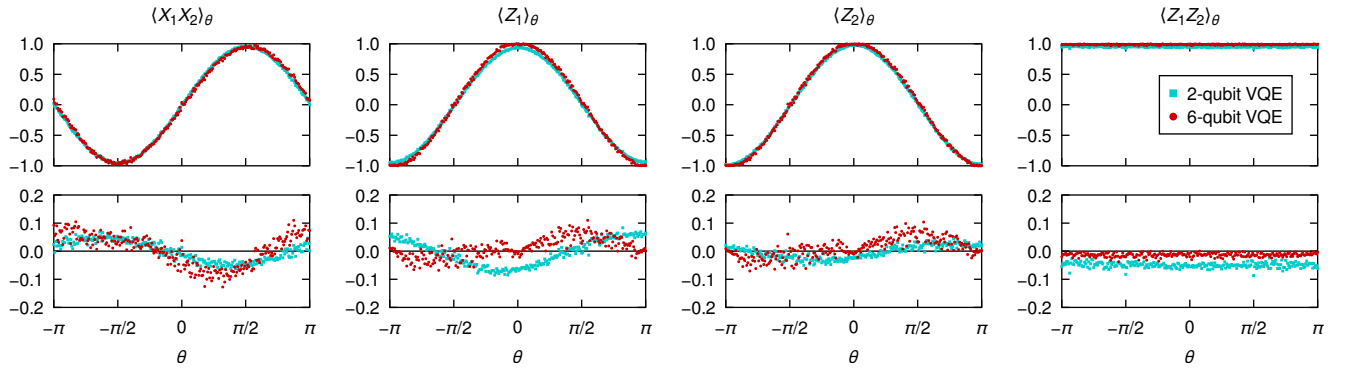


FIG. 3. Measured expectation values of terms in the Hamiltonian for both the two-qubit and the six-qubit circuit. The top panels show the expectation values and the bottom panels show their differences from the exact values. The two-qubit and the six-qubit circuits were executed on qubits  $(q_1, q_2) = (13, 18)$  and  $(a_1, a_2, q_1, q_2, q_3, q_4) = (12, 5, 11, 6, 10, 17)$ .

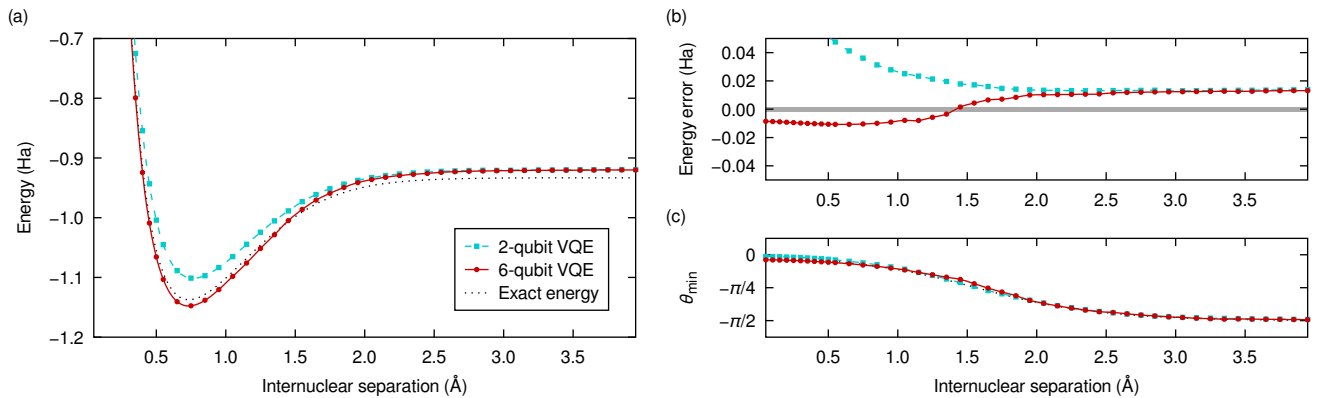


FIG. 4. (a) Energy potential curves of the H<sub>2</sub> molecule measured experimentally using the VQE algorithm with the two-qubit and the six-qubit circuit. We used the best qubit mapping for each circuit as described in the text. The two-qubit and the six-qubit circuits were executed on qubits  $(q_1, q_2) = (13, 18)$  and  $(a_1, a_2, q_1, q_2, q_3, q_4) = (12, 5, 11, 6, 10, 17)$ . (b) Difference between the measured energy and the exact energy. Gray band shows the range of chemical accuracy ( $1.6 \times 10^{-3}$  Ha). (c) The value of the UCC parameter  $\theta$  at the energy minimum. The six-qubit circuit performs better than the two-qubit circuit especially for small values of  $\theta$ .

perform a qubit reset. Similarly, the postselection in the rotation gate would be unnecessary if we had an ability to apply conditional gates dependent on measurement outcomes. Implementing quantum error detecting and correcting codes tailored to specific applications better utilizes limited resources and extends the possibilities of existing devices. It also informs hardware designers which features will be the most impactful in the next generation of quantum computers.

Some of the previous VQE experiments [5, 6, 8, 10, 20] found the ground-state energy of the  $H_2$  molecule with a comparable or better accuracy. They used techniques like higher qubit states measurement [5], quantum subspace expansion [8], and noise extrapolation [20] to mitigate errors. We emphasize that our circuits do not use any such techniques. Our QEC method demonstrates that on the same hardware and using the same algorithm, the encoded circuit results in smaller error than the physical circuit. Other error mitigation techniques are complementary to the presented method.

### ACKNOWLEDGMENTS

We thank Jarrod R. McClean and Mekena Metcalf for helpful discussions. This work is supported by the DOE under contract DE-AC02-05CH11231, by the DOE Office of Advanced Scientific Computing Research (ASCR) through the Quantum Algorithm Team and Quantum Testbed Pathfinder Program, and from Quantum Information Science Enabled Discovery (QuantISED) for High Energy Physics (KA2401032). This research used resources of the Oak Ridge Leadership Computing Facility, which is a DOE Office of Science User Facility supported under Contract DE-AC05-00OR22725.

### Appendix A: Hamiltonian transformation

We use a transformation presented in Ref. [8] to map the electronic-structure space to qubits. The transformed space corresponds to a  $H_2$  molecule with two electrons and zero total spin. In particular,

$$\begin{aligned} a_{1\uparrow}^\dagger a_{1\downarrow}^\dagger |\text{vac}\rangle &\rightarrow |00\rangle, \\ a_{1\uparrow}^\dagger a_{2\downarrow}^\dagger |\text{vac}\rangle &\rightarrow |01\rangle, \\ a_{2\uparrow}^\dagger a_{1\downarrow}^\dagger |\text{vac}\rangle &\rightarrow |10\rangle, \\ a_{2\uparrow}^\dagger a_{2\downarrow}^\dagger |\text{vac}\rangle &\rightarrow |11\rangle, \end{aligned} \quad (\text{A1})$$

where  $a_{is}^\dagger$  is an operator that creates an electron with spin  $s$  in orbital  $i$  and  $|\text{vac}\rangle$  is the vacuum state.

### Appendix B: Analytical model

We analyze the effect of noise on the calculated ground-state energies using the depolarizing noise model. The

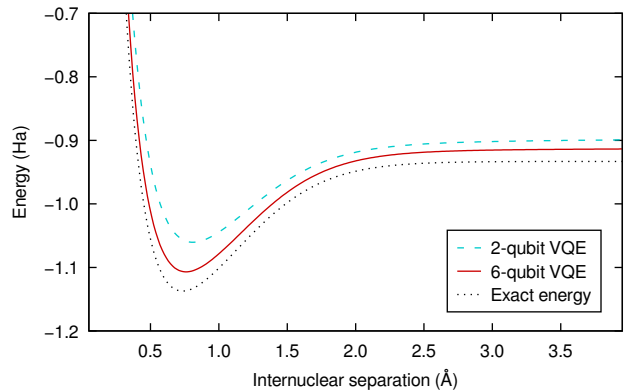


FIG. 5. Energy potential curves of the  $H_2$  molecule calculated analytically using the VQE algorithm with the depolarizing noise model. The two-qubit gate error rate is  $p = 5\%$ . The six-qubit encoded circuit performs better for error rates up to about 30%.

noise operation is given by [25]

$$\epsilon(\rho) = (1 - p)\rho + p\frac{I}{2}, \quad (\text{B1})$$

where  $\rho$  is the density matrix and  $p$  is the probabilistic error rate. The value of  $p = 0$  corresponds to vanishing noise and  $p = 1$  corresponds to full noise. We assume that the noise affects only qubits involved in a particular gate application. Separate operations are used for one-qubit gates,

$$\epsilon_i(\rho) = (1 - p_1)\rho + \frac{p_1}{4} \sum_{E_i \in \mathcal{P}_i} E_i^\dagger \rho E_i, \quad (\text{B2})$$

and for two-qubit gates,

$$\epsilon_{i,j}(\rho) = (1 - p_2)\rho + \frac{p_2}{16} \sum_{\substack{E_i \in \mathcal{P}_i \\ E_j \in \mathcal{P}_j}} E_i^\dagger E_j^\dagger \rho E_i E_j, \quad (\text{B3})$$

where  $\mathcal{P}_i = \{I_i, X_i, Y_i, Z_i\}$  is the set of the unit matrix and the Pauli matrices acting on qubit  $i$ . The noise operations above are performed on the density matrix after each gate application to a respective set of qubits. We characterize the noise channel with only a single parameter  $p$  and use  $p_2 = p$  and  $p_1 = p/16$  since the single-qubit gates have significantly higher fidelities in hardware. The comparison of the ground-state energy calculated with the noisy logical and encoded circuits is shown in Fig. 5.

### Appendix C: Readout error correction

Correcting measurements of discrete data for readout bias has a long history. For example, in high energy physics experiments, binned differential cross sections are corrected for detector effects in order to compare them with predictions from quantum field theory. In that



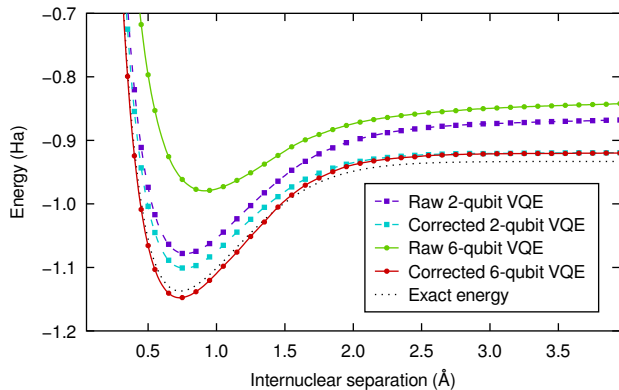


FIG. 6. Comparison of potential energy curves obtained with raw measurement outcomes and with outcomes corrected for readout errors for both the two-qubit and six-qubit circuits.

context, the corrections are called unfolding (sometimes called deconvolution in other fields) and a variety of techniques have been proposed and are in active use [49, 50]. Quantum readout error correction can be represented as a binned unfolding where each bin corresponds to one of the possible  $2^m$  configurations, where  $m$  is the number of qubits.

We use an iterative Bayesian unfolding technique [51–53]. Given a response matrix

$$R_{ij} = \Pr(\text{measure } i \mid \text{truth is } j), \quad (\text{C1})$$

a measured spectrum  $m_i = \Pr(\text{measure } i)$  and a prior

truth spectrum  $t_i^0 = \Pr(\text{truth is } i)$ , the iterative technique proceeds according to an equation

$$\begin{aligned} t_i^{n+1} &= \sum_j \Pr(\text{truth is } i \mid \text{measure } j) \times m_j \\ &= \sum_j \frac{R_{ji} t_i^n}{\sum_k R_{jk} t_k^n} \times m_j, \end{aligned} \quad (\text{C2})$$

where  $n$  is the iteration number. The advantage of Eq. (C2) over simple matrix inversion is that the result is a probability (nonnegative and unit measure). We construct  $R_{ij}$  by preparing  $2^m$  calibration circuits where each qubit computational state is constructed with  $X$  gates. The entries of  $R_{ij}$  are the fraction of measurements that qubit configuration  $i$  is observed in configuration  $j$ . We use a uniform distribution as the initial spectrum  $t_i^0$ . The iterative procedure described in Eq. (C2) is repeated until convergence. The effect of readout error correction on potential energy curves is shown in Fig. 6.

#### Appendix D: Qubit mappings

The availability of qubits and their connections has changed during the data collection. The final data in Fig. 4 were collected after a connection between qubits three and nine was turned off. Additionally, qubit seven was not available during experiments with the six-qubit circuit. As a result, there were only 70 and 116 possible mappings from the abstract qubits to the physical qubits for the two-qubit and the six-qubit circuits, respectively.

- 
- [1] M. Reiher, N. Wiebe, K. M. Svore, D. Wecker, and M. Troyer, *Proc. Natl. Acad. Sci. U.S.A.* **114**, 7555 (2017).
  - [2] J. Preskill, *Quantum* **2**, 79 (2018).
  - [3] A. Peruzzo, J. McClean, P. Shadbolt, M.-H. Yung, X.-Q. Zhou, P. J. Love, A. Aspuru-Guzik, and J. L. O’Brien, *Nat. Commun.* **5**, 4213 (2014).
  - [4] J. R. McClean, J. Romero, R. Babbush, and A. Aspuru-Guzik, *New J. Phys.* **18**, 023023 (2016).
  - [5] P. J. J. O’Malley, R. Babbush, I. D. Kivlichan, J. Romero, J. R. McClean, R. Barends, J. Kelly, P. Roushan, A. Tranter, N. Ding, B. Campbell, Y. Chen, Z. Chen, B. Chiaro, A. Dunsworth, A. G. Fowler, E. Jeffrey, E. Lucero, A. Megrant, J. Y. Mutus, M. Neeley, C. Neill, C. Quintana, D. Sank, A. Vainsencher, J. Wenner, T. C. White, P. V. Coveney, P. J. Love, H. Neven, A. Aspuru-Guzik, and J. M. Martinis, *Phys. Rev. X* **6**, 031007 (2016).
  - [6] A. Kandala, A. Mezzacapo, K. Temme, M. Takita, M. Brink, J. M. Chow, and J. M. Gambetta, *Nature* **549**, 242 (2017).
  - [7] Y. Shen, X. Zhang, S. Zhang, J.-N. Zhang, M.-H. Yung, and K. Kim, *Phys. Rev. A* **95**, 020501 (2017).
  - [8] J. I. Colless, V. V. Ramasesh, D. Dahlen, M. S. Blok, M. E. Kimchi-Schwartz, J. R. McClean, J. Carter, W. A. de Jong, and I. Siddiqi, *Phys. Rev. X* **8**, 011021 (2018).
  - [9] E. F. Dumitrescu, A. J. McCaskey, G. Hagen, G. R. Jansen, T. D. Morris, T. Papenbrock, R. C. Pooser, D. J. Dean, and P. Lougovski, *Phys. Rev. Lett.* **120**, 210501 (2018).
  - [10] C. Hempel, C. Maier, J. Romero, J. McClean, T. Monz, H. Shen, P. Jurcevic, B. P. Lanyon, P. Love, R. Babbush, A. Aspuru-Guzik, R. Blatt, and C. F. Roos, *Phys. Rev. X* **8**, 031022 (2018).
  - [11] M. Ganzhorn, D. Egger, P. Barkoutsos, P. Ollitrault, G. Salis, N. Moll, M. Roth, A. Fuhrer, P. Mueller, S. Wornner, I. Tavernelli, and S. Filipp, *Phys. Rev. Appl.* **11**, 044092 (2019).
  - [12] C. Kokail, C. Maier, R. van Bijnen, T. Brydges, M. K. Joshi, P. Jurcevic, C. A. Muschik, P. Silvi, R. Blatt, C. F. Roos, and P. Zoller, *Nature* **569**, 355 (2019).
  - [13] Y. Li and S. C. Benjamin, *Phys. Rev. X* **7**, 021050 (2017).
  - [14] K. Temme, S. Bravyi, and J. M. Gambetta, *Phys. Rev. Lett.* **119**, 180509 (2017).
  - [15] J. R. McClean, M. E. Kimchi-Schwartz, J. Carter, and W. A. de Jong, *Phys. Rev. A* **95**, 042308 (2017).
  - [16] X. Bonet-Monroig, R. Sagastizabal, M. Singh, and T. E. O’Brien, *Phys. Rev. A* **98**, 062339 (2018).
  - [17] S. Endo, S. C. Benjamin, and Y. Li, *Phys. Rev. X* **8**, 031027 (2018).

- [18] S. McArdle, X. Yuan, and S. Benjamin, *Phys. Rev. Lett.* **122**, 180501 (2019).
- [19] S. Endo, Q. Zhao, Y. Li, S. Benjamin, and X. Yuan, *Phys. Rev. A* **99**, 012334 (2019).
- [20] A. Kandala, K. Temme, A. D. Córcoles, A. Mezzacapo, J. M. Chow, and J. M. Gambetta, *Nature* **567**, 491 (2019).
- [21] J. R. McClean, Z. Jiang, N. C. Rubin, R. Babbush, and H. Neven, “Decoding quantum errors with subspace expansions,” arXiv (2019), arXiv:1903.05786 [quant-ph].
- [22] M. Otten and S. K. Gray, *Phys. Rev. A* **99**, 012338 (2019).
- [23] M. Otten and S. K. Gray, *npj Quantum Inf.* **5**, 11 (2019).
- [24] R. Sagastizabal, X. Bonet-Monroig, M. Singh, M. A. Rol, C. C. Bultink, X. Fu, C. H. Price, V. P. Ostroukh, N. Muthusubramanian, A. Bruno, M. Beekman, N. Haider, T. E. O’Brien, and L. DiCarlo, *Phys. Rev. A* **100**, 010302 (2019).
- [25] M. A. Nielsen and I. L. Chuang, *Quantum Computation and Quantum Information: 10th Anniversary Edition* (Cambridge University Press, 2010).
- [26] S. J. Devitt, W. J. Munro, and K. Nemoto, *Rep. Prog. Phys.* **76**, 076001 (2013).
- [27] B. M. Terhal, *Rev. Mod. Phys.* **87**, 307 (2015).
- [28] E. T. Campbell, B. M. Terhal, and C. Vuillot, *Nature* **549**, 172 (2017).
- [29] D. Gottesman, “Quantum fault tolerance in small experiments,” arXiv (2016), arXiv:1610.03507 [quant-ph].
- [30] R. Chao and B. W. Reichardt, *Phys. Rev. Lett.* **121**, 050502 (2018).
- [31] R. Chao and B. W. Reichardt, *npj Quantum Inf.* **4**, 42 (2018).
- [32] M. D. Reed, L. DiCarlo, S. E. Nigg, L. Sun, L. Frunzio, S. M. Girvin, and R. J. Schoelkopf, *Nature* **482**, 382 (2012).
- [33] R. Barends, J. Kelly, A. Megrant, A. Veitia, D. Sank, E. Jeffrey, T. C. White, J. Mutus, A. G. Fowler, B. Campbell, Y. Chen, Z. Chen, B. Chiaro, A. Dunsworth, C. Neill, P. O’Malley, P. Roushan, A. Vainsencher, J. Wenner, A. N. Korotkov, A. N. Cleland, and J. M. Martinis, *Nature* **508**, 500 (2014).
- [34] J. Kelly, R. Barends, A. G. Fowler, A. Megrant, E. Jeffrey, T. C. White, D. Sank, J. Y. Mutus, B. Campbell, Y. Chen, Z. Chen, B. Chiaro, A. Dunsworth, I.-C. Hoi, C. Neill, P. J. J. O’Malley, C. Quintana, P. Roushan, A. Vainsencher, J. Wenner, A. N. Cleland, and J. M. Martinis, *Nature* **519**, 66 (2015).
- [35] J. R. Wootton and D. Loss, *Phys. Rev. A* **97**, 052313 (2018).
- [36] N. M. Linke, M. Gutierrez, K. A. Landsman, C. Figgatt, S. Debnath, K. R. Brown, and C. Monroe, *Sci. Adv.* **3**, e1701074 (2017).
- [37] M. Takita, A. W. Cross, A. D. Córcoles, J. M. Chow, and J. M. Gambetta, *Phys. Rev. Lett.* **119**, 180501 (2017).
- [38] J. Roffe, D. Headley, N. Chancellor, D. Horsman, and V. Kendon, *Quantum Sci. Technol.* **3**, 035010 (2018).
- [39] C. Vuillot, *Quantum Inf. Comput.* **18**, 0949 (2018).
- [40] D. Willsch, M. Willsch, F. Jin, H. De Raedt, and K. Michielsen, *Phys. Rev. A* **98**, 052348 (2018).
- [41] R. Harper and S. T. Flammia, *Phys. Rev. Lett.* **122**, 080504 (2019).
- [42] L. Vaidman, L. Goldenberg, and S. Wiesner, *Phys. Rev. A* **54**, R1745 (1996).
- [43] M. Grassl, T. Beth, and T. Pellizzari, *Phys. Rev. A* **56**, 33 (1997).
- [44] P. Jordan and E. Wigner, *Z. Phys.* **47**, 631 (1928).
- [45] S. B. Bravyi and A. Y. Kitaev, *Ann. Phys. (N. Y.)* **298**, 210 (2002).
- [46] R. J. Bartlett, S. A. Kucharski, and J. Noga, *Chem. Phys. Lett.* **155**, 133 (1989).
- [47] A. G. Taube and R. J. Bartlett, *Int. J. Quantum Chem.* **106**, 3393 (2006).
- [48] K. Yeter-Aydeniz, E. F. Dumitrescu, A. J. McCaskey, R. S. Bennink, R. C. Pooser, and G. Siopsis, *Phys. Rev. A* **99**, 032306 (2019).
- [49] G. Cowan, *Advanced Statistical Techniques in Particle Physics, Durham, UK, March 18–22, 2002*, Conf. Proc. **C0203181**, 248 (2002).
- [50] V. Blobel, in *Data Analysis in High Energy Physics* (John Wiley & Sons, 2013) pp. 187–225.
- [51] L. B. Lucy, *Astron. J.* **79**, 745 (1974).
- [52] W. H. Richardson, *J. Opt. Soc. Am.* **62**, 55 (1972).
- [53] G. D’Agostini, *Nucl. Instrum. Methods Phys. Res. A* **362**, 487 (1995).