

AN ASYMPTOTIC ANALYSIS OF SEPARATING POINT-LIKE AND C^β - CURVE-LIKE SINGULARITIES

VAN TIEP DO^{*†} AND ALEX GOESSMANN^{*}

ABSTRACT. In this paper, we present a theoretical analysis of separating an image consists of pointlike and $C^{1/\alpha}$ curvelike structures, $\alpha \in [1, 2)$, by using wavelets and a pair of dual α -shearlet types with flexible scaling. Our analyzing method is based on l_1 -minimization which is extended to use general frames instead of Parseval frames. It is well known that for such components wavelets provide an optimally sparse representation for point singularities, whereas α -shearlet type might be best adapted to the $C^{1/\alpha}$ curvilinear singularities. Our theoretical results show that it is possible to separate these two components as long as $\alpha < 2$, i.e., α -shearlets which range from wavelets and shearlets do not coincide with wavelets in sense of isotropic fashion. The aim of this paper is to provide a generalized theoretical guarantee for the successful asymptotic separation by using two general frames. We then transfer this result to derive an asymptotic accuracy of image geometric separation by using radial wavelets and a dual pair of well-localized bandlimited α -shearlet frames.

1. INTRODUCTION

In the era of data analytics, the task of *geometric separation* is of interest for various applications. For instance, astronomers might want to extract stars from filaments, or neurologist might want to separate neurons from dendrites. This task arises due to the fact that image data are often the superposition of different geometric components. In fact, numerous publications have been contributed to this area both in the mathematical and engineering communities [21, 24, 29, 37, 41, 42].

To turn image separation into a uniquely solvable problem, first steps are assumptions onto the shape of the components to be recovered. Recently, the methodology of compressed sensing allows the efficient reconstruction of sparse or approximately sparse data from highly incomplete linear measurements by l^1 minimization or thresholding [27, 28, 33]. The key ingredient is to choose two appropriate dictionaries, each one sparsely representing the corresponding component but unable to sparsely represent the other. In recent decades, there have been various applications of compressed sensing techniques, including deblurring and deconvolution [8, 34], image inpainting [15, 30, 36], data compression [31, 32], as well as geometric separation [2, 7, 12, 18, 26]. Along the way, the task of separating pointlike and curvelike structures was first introduced in [12] with theoretical recover guarantee by using wavelet and curvelet Parseval frames. Indeed, wavelets are well adapted in dealing with pointlike phenomena, whereas curvelets provide optimally sparse representation for images with

^{*} DEPARTMENT OF MATHEMATICS, TECHNISCHE UNIVERSITÄT BERLIN, 10623 BERLIN, GERMANY

[†] DEPARTMENT OF MATHEMATICS, MECHANICS AND INFORMATICS, VIETNAM NATIONAL UNIVERSITY, 334 NGUYEN TRAI, THANH XUAN, HANOI

Key words and phrases. Geometric Separation. Shearlets. l_1 minimization. Sparsity. Cluster Coherence.

edges. However, the limitation is that curvelets use rotation which ignores the discrete lattice structures. Later, shearlet systems, originally introduced in [11] and then followed by other types [9, 17, 35, 36], make use of shearing instead of rotation. They have shown to share similar optimal approximation behavior with curvelets, but they allow unified treatment of the continuum and digital realm leading to faithful implementations compared with other known sparse representation systems like wavelets [1], ridgelets [4], curvelets [5], bandlets [14], contourlets [25].

In addition, there appeared a class of shearlets which used flexible scaling to adapt the system according to the smoothness of the data. Among them, universal shearlets [36] form Parseval frames by using changing scaling parameter at each scale which are best adapted to only high frequency part, whereas compactly supported α -shearlets [39, 40] with fixed scaling parameter provide superior localization but fail to form a Parseval frames. Thus, although Parseval frames play a crucial role both in applications and theoretical studies, this property is not always archived. Overall, each of them has its own advantages and disadvantages depending on the approach chosen in applications.

In this paper, we consider a problem of separating pointlike singularities and $C^{1/\alpha}$ curvilinear singularities, $\alpha \in [1, 2)$, which wavelets and bandlimited α -shearlets using α -scaling instead of parabolic scaling will come into play. This is due to the fact that flexible scaling adaptively matches its decomposition to the smoothness of observed data, i.e., they provide optimal sparse representation of $C^{1/\alpha}$ curvilinear singularities. They range from wavelets ($\alpha = 1$) to shearlets ($\alpha = 2$). This problem is more general than which used Parseval frame pair of wavelets-curvelets, or wavelets-shearlets [2, 18]. In our analysis, we provide a theoretical guarantee for geometric separation using general general frames instead of Parseval frames. Here we also answer the question, if separation is still possible in case of wavelets, i.e. $\alpha \rightarrow 2$.

1.1. Our contributions. Our contributions in this paper consist in three main points. First, we present a theoretical guarantee for the problem of separating two geometric components using two general frames (Theorem 3.6). Second, in Subsection 4.3 we construct a pair of bandlimited α -shearlet dual frames which provide an optimal sparse representation for $C^{1/\alpha}$ curvilinear singularities. Finally, we derive an asymptotic geometric separation result for separating pointlike and $C^{1/\alpha}$ curvelike singularities (Theorem 5.1). Also, we show that the proposed algorithm successfully reconstructs sub-images by l^1 minimization if the bandlimited α -shearlets do not coincide with wavelets in sense of isotropic fashion.

2. FORMULATION OF THE PROBLEM

2.1. Notation and basic definitions. We first start with some basic notions and definitions.

For $f, F \in L^1(\mathbb{R}^2)$ we define the *Fourier transform* and *inverse Fourier transform* by

$$\hat{f}(\xi) = \int_{\mathbb{R}^2} f(x) e^{-2\pi i x^T \xi} dx,$$

$$\check{F}(x) = \int_{\mathbb{R}^2} F(\xi) e^{2\pi i \xi^T x} d\xi,$$

with the usual extension to $L^2(\mathbb{R}^2)$.

A *frame* for a separable Hilbert space \mathcal{H} is a countable family $\Phi = \{\phi_i\}_{i \in I}$ in \mathcal{H} for which there exist constants $0 < A \leq B < \infty$ such that

$$A\|f\|_2^2 \leq \sum_{i \in I} |\langle f, \phi_i \rangle|^2 \leq B\|f\|_2^2, \quad \forall f \in \mathcal{H}. \quad (1)$$

The constants A and B are called the *lower* and *upper frame bounds*, respectively. If $A = B$, this is called an A -tight frame. In addition, if $A = B = 1$, then it is called a *Parseval frame*.

Slightly abusing notion, we use Φ again to denote the *synthesis operator*

$$\Phi : l_2(I) \rightarrow \mathcal{H}, \quad \Phi(\{c_i\}_{i \in I}) = \sum_{i \in I} c_i \phi_i.$$

We denote by Φ^* the *analysis operator*

$$\Phi^* : \mathcal{H} \rightarrow l_2(I), \quad \Phi^*(f) = (\langle f, \phi_i \rangle)_{i \in I}.$$

The *frame operator* \mathbb{S} associated with a frame $\Phi = \{\phi_i\}_{i \in I}$ is defined by

$$\mathbb{S} = \Phi\Phi^* : \mathcal{H} \rightarrow \mathcal{H}, \quad \mathbb{S}f = \sum_{i \in I} \langle f, \phi_i \rangle \phi_i.$$

Given a frame $\Phi = \{\phi_i\}_{i \in I}$ for \mathcal{H} , there exists a frame $\Phi^d = \{\phi_i^d\}_{i \in I}$ in \mathcal{H} such that

$$f = \Phi(\Phi^d)^* f = \sum_{i \in I} \langle f, \phi_i^d \rangle \phi_i, \quad \forall f \in \mathcal{H}, \quad (2)$$

and

$$f = (\Phi^d)\Phi^* f = \sum_{i \in I} \langle f, \phi_i \rangle \phi_i^d, \quad \forall f \in \mathcal{H}. \quad (3)$$

If both equations hold, Φ^d is called an *alternative dual frame* (or simply a *dual frame*) of Φ . Respectively, we call Φ^d an *analysis pseudo-dual* of the frame Φ , if only (2) holds and a *synthesis pseudo-dual* in case only (3) holds. In addition, the inequality (1) implies that \mathbb{S} is a self-adjoint, invertible operator on \mathcal{H} [3]. This leads to a special dual frame $\{\mathbb{S}^{-1}\phi_i\}_{i \in I}$ called the *canonical dual frame* of $\Phi = \{\phi_i\}_{i \in I}$ with frame bounds (B^{-1}, A^{-1}) . In our analysis, we denote by \mathbb{D}_Φ the set of all synthesis pseudo-dual of the frame Φ , i.e.,

$$\mathbb{D}_\Phi = \{\Phi^d = \{\phi_i^d\}_{i \in I} \in \mathcal{H} \mid f = \Phi^d \Phi^* f = \sum_{i \in I} \langle f, \phi_i \rangle \phi_i^d, \forall f \in \mathcal{H}\}. \quad (4)$$

Obviously, $\mathbb{D}_\Phi \neq \emptyset$ since for each frame Φ the frame

$$\mathbb{S}^{-1}\Phi = \{\mathbb{S}^{-1}\phi_i\}_{i \in I}$$

is dual to Φ and therefore in \mathbb{D}_Φ . Consequently, if Φ is a Parseval frame we have $\Phi \in \mathbb{D}_\Phi$. For more details on frame theory we refer to [3, 16, 20].

2.2. Outline. The rest of the paper is organized as follows. First we formulate the general image separation problem in Section 2. Next, in Section 3 we provide a theoretical machinery which guarantee for the success of the Algorithm 1 based on notions of joint concentration and cluster coherence of two general frames. We then propose the model of pointlike and curvelike singularities and construct radial wavelets as well as a pair of dual bandlimited α -shearlets in Section 4. In Section 5 we finally present an asymptotic separation result of the proposed component models by l^1 minimization. We close with a conclusion and outlook to further applications in Section 6.

2.3. General component separation. Given an image f , we assume that f can be composed of two geometric components, i.e.,

$$f = \mathcal{P} + \mathcal{C}, \quad (5)$$

where \mathcal{P}, \mathcal{C} are two unknown components which we want to recover. Since the unknowns are twice as many as the equations, the task of component separation is ill-posed without additional assumptions. However, we often have more information about the components \mathcal{P}, \mathcal{C} . Compressed sensing techniques enable us to exactly recover these components which are sparse in appropriate dictionaries. Here, we assume that \mathcal{P} is smooth away from point discontinuities and \mathcal{C} is smooth away from curvilinear singularities. In our analysis, we use microlocal analysis to give a heuristic understanding why separation might be possible. The core ingredient is based on the idea that important coefficients are clustered geometrically in phase space.

2.4. Recovery via l_1 -minimization. We consider the following algorithm proposed in the past which used Parseval frames for separating two components. We extend it to the case of two general frames $\{\Phi_1\}_{i \in I}, \{\Phi_2\}_{j \in J}$ with frame bounds (A_1, B_1) and (A_2, B_2) respectively.

Algorithm 1: Image separation

Data: observed image f , two frames $\{\Phi_1\}_{i \in I}, \{\Phi_2\}_{j \in J}$.

Compute: $(\mathcal{P}^*, \mathcal{C}^*)$, where

$$(\mathcal{P}^*, \mathcal{C}^*) = \arg \min_{f_1, f_2} \|\Phi_1^* f_1\|_1 + \|\Phi_2^* f_2\|_1, \quad \text{subject to } f_1 + f_2 = f. \quad (6)$$

Result: recovered components. $\mathcal{P}^*, \mathcal{C}^*$.

We would like to remark that here we minimize the l^1 norm of the analysis coefficients when expanding the components in two frames to exploit their geometric features underlying the image. The success of the algorithm (6) is proven later under prior information that each geometric component is captured by the corresponding frame.

3. THEORETICAL GUARANTEE FOR COMPONENT SEPARATION

3.1. Joint concentration analysis. The notion of *joint concentration* was first introduced in [12], which used Parseval frames to propose an analyzing tool for deriving the theoretical guarantee. There, the joint concentration associated with two Parseval frames Φ_1, Φ_2 and sets of indexes Λ_1, Λ_2 is defined by

$$\kappa(\Lambda_1, \Lambda_2) = \sup_{f \in \mathcal{H}} \frac{\|\mathbf{1}_{\Lambda_1} \Phi_1^* f\|_1 + \|\mathbf{1}_{\Lambda_2} \Phi_2^* f\|_1}{\|\Phi_1^* f\|_1 + \|\Phi_2^* f\|_1}.$$

Here the idea is that each frame can sparsely represent each component but can not sparsely represent the other. For an extension, we define the joint concentration associated with two frames in stead of Parseval frames as follows.

Definition 3.1. Let Φ_1, Φ_2 be two frames. We define the *joint concentration* $\bar{\kappa} = \bar{\kappa}(\Lambda_1, \Lambda_2)$ with respect to sets of coefficients Λ_1, Λ_2 by

$$\bar{\kappa}(\Lambda_1, \Lambda_2) = \sup_{\mathcal{P}, \mathcal{C} \in \mathcal{H}} \frac{\|\mathbf{1}_{\Lambda_1} \Phi_1^* \mathcal{P}\|_1 + \|\mathbf{1}_{\Lambda_2} \Phi_2^* \mathcal{C}\|_1}{\|\Phi_1^* \mathcal{C}\|_1 + \|\Phi_2^* \mathcal{P}\|_1}.$$

Definition 3.2. Fix $\delta > 0$. Given a Hilbert space \mathcal{H} with a frame Φ , $f \in \mathcal{H}$ is δ -relatively sparse in Φ with respect to Λ if $\|\mathbf{1}_{\Lambda^c} \Phi^* f\|_1 \leq \delta$, where Λ^c denotes $X \setminus \Lambda$.

Under the assumption of joint concentration and δ -relative sparsity of the components \mathcal{P} and \mathcal{C} , we can guarantee the success of (6), as the next Proposition shows.

Proposition 3.3. Let Φ_1, Φ_2 be two frames with frame bounds $(A_1, B_1), (A_2, B_2)$, respectively. For $\delta_1, \delta_2 > 0$, we assume that $f = \mathcal{P} + \mathcal{C}$ where \mathcal{P}, \mathcal{C} is δ_1, δ_2 -relatively sparse in Φ_1 and Φ_2 with respect to Λ_1 and Λ_2 , respectively. Let $(\mathcal{P}^*, \mathcal{C}^*)$ solve (6) and we have $\bar{\kappa}(\Lambda_1, \Lambda_2) < \frac{1}{2}$, then

$$\|\mathcal{P}^* - \mathcal{P}\|_2 + \|\mathcal{C}^* - \mathcal{C}\|_2 \leq \frac{2 \max\{B_1, B_2\}(\delta_1 + \delta_2)}{1 - 2\bar{\kappa}(\Lambda_1, \Lambda_2)}. \quad (7)$$

Proof. For convenience, we set $\bar{\kappa} := \bar{\kappa}(\Lambda_1, \Lambda_2)$ and $err := \mathcal{P}^* - \mathcal{P} = \mathcal{C} - \mathcal{C}^*$. Note here that we have $\mathcal{P}^* + \mathcal{C}^* = \mathcal{P} + \mathcal{C} = f$. By the upper frame bounds of Φ_1, Φ_2 , we obtain

$$\begin{aligned} \|\mathcal{P}^* - \mathcal{P}\|_2 + \|\mathcal{C}^* - \mathcal{C}\|_2 &\leq \max\{B_1, B_2\} \left(\|\Phi_1^*(\mathcal{P}^* - \mathcal{P})\|_2 + \|\Phi_2^*(\mathcal{C}^* - \mathcal{C})\|_2 \right) \\ &\leq \max\{B_1, B_2\} \left(\|\Phi_1^*(err)\|_1 + \|\Phi_2^*(err)\|_1 \right). \end{aligned} \quad (8)$$

Thus, we have

$$\begin{aligned} S &:= \|\Phi_1^*(err)\|_1 + \|\Phi_2^*(err)\|_1 \\ &\leq \|\mathbf{1}_{\Lambda_1} \Phi_1^*(err)\|_1 + \|\mathbf{1}_{\Lambda_2} \Phi_2^*(err)\|_1 + \|\mathbf{1}_{\Lambda_1^c} \Phi_1^*(\mathcal{P}^* - \mathcal{P})\|_1 + \|\mathbf{1}_{\Lambda_2^c} \Phi_2^*(\mathcal{C}^* - \mathcal{C})\|_1 \\ &\leq \bar{\kappa}S + \|\mathbf{1}_{\Lambda_1^c} \Phi_1^* \mathcal{P}^*\|_1 + \|\mathbf{1}_{\Lambda_2^c} \Phi_2^* \mathcal{C}^*\|_1 + \|\mathbf{1}_{\Lambda_1^c} \Phi_1^* \mathcal{P}\|_1 + \|\mathbf{1}_{\Lambda_2^c} \Phi_2^* \mathcal{C}\|_1 \\ &\leq \bar{\kappa}S + \|\mathbf{1}_{\Lambda_1^c} \Phi_1^* \mathcal{P}^*\|_1 + \|\mathbf{1}_{\Lambda_2^c} \Phi_2^* \mathcal{C}^*\|_1 + \delta \\ &= \bar{\kappa}S + \delta + \|\Phi_1^* \mathcal{P}^*\|_1 + \|\Phi_2^* \mathcal{C}^*\|_1 - \|\mathbf{1}_{\Lambda_1} \Phi_1^* \mathcal{P}^*\|_1 - \|\mathbf{1}_{\Lambda_2} \Phi_2^* \mathcal{C}^*\|_1. \end{aligned}$$

We now exploit that $(\mathcal{P}^*, \mathcal{C}^*)$ is a minimizer of (6). Therefore, we obtain

$$\|\Phi_1^* \mathcal{P}^*\|_1 + \|\Phi_2^* \mathcal{C}^*\|_1 \leq \|\Phi_1^* \mathcal{P}\|_1 + \|\Phi_2^* \mathcal{C}\|_1.$$

Thus, the triangle inequality yields

$$\begin{aligned} S &\leq \bar{\kappa}S + \delta + \|\Phi_1^* \mathcal{P}\|_1 + \|\Phi_2^* \mathcal{C}\|_1 - \|\mathbf{1}_{\Lambda_1} \Phi_1^* \mathcal{P}^*\|_1 - \|\mathbf{1}_{\Lambda_2} \Phi_2^* \mathcal{C}^*\|_1 \\ &\leq \bar{\kappa}S + \delta + \|\Phi_1^* \mathcal{P}\|_1 + \|\Phi_2^* \mathcal{C}\|_1 + \|\mathbf{1}_{\Lambda_1} \Phi_1^* err\|_1 + \|\mathbf{1}_{\Lambda_2} \Phi_2^* err\|_1 - \|\mathbf{1}_{\Lambda_1} \Phi_1^* \mathcal{P}\|_1 \\ &\quad - \|\mathbf{1}_{\Lambda_2} \Phi_2^* \mathcal{C}\|_1 \\ &\leq \bar{\kappa}S + 2\delta + \bar{\kappa}S = 2\bar{\kappa}S + 2\delta. \end{aligned}$$

This implies

$$S \leq \frac{2\delta}{1 - 2\bar{\kappa}},$$

and the claim follows in combination with (8). \square

3.2. Theoretical guarantee via Cluster coherence. Typically, the information on each component is encoded by a particular choice of the clusters Λ_1, Λ_2 through the number of non-zero coefficients. By choosing such clusters we might get the successful recovery by Proposition 3.3, but it seems hard to achieve the joint concentration. The notion of *cluster coherence* was first introduced in [12] in an attempt to transfer the theoretical guarantee based on the notion of joint concentration to another analyzing tool which enables us to check in practice. They used Parseval

frames in their definition. In our paper, we modify this ansatz and extend it to the case of generic frames instead of Parseval frames.

Definition 3.4. Given two frames $\Phi_1 = (\Phi_{1i})_{i \in I}$ and $\Phi_2 = (\Phi_{2j})_{j \in J}$ with frame bounds $(A_1, B_1), (A_2, B_2)$, the *cluster coherence* $\mu_c(\Lambda, \Phi_1; \Phi_2)$ of Φ_1 and Φ_2 with respect to the index set $\Lambda \subset I$ is defined by

$$\mu_c(\Lambda, \Phi_1; \Phi_2) = \max_{j \in J} \sum_{i \in \Lambda} |\langle \phi_{1i}, \phi_{2j} \rangle|.$$

Formulated in this way, the notion of cluster coherence encodes the geometric difference between the components in a way that can be checked in practice.

The following lemma allows to bound the joint concentration from above by the cluster coherence.

Lemma 3.5. *We have*

$$\bar{\kappa}_1(\Lambda_1, \Lambda_2) \leq \inf_{\Phi_1^d \in \mathbb{D}_{\Phi_1}, \Phi_2^d \in \mathbb{D}_{\Phi_2}} \max\{\mu_c(\Lambda_1, \Phi_1; \Phi_2^d), \mu_c(\Lambda_2, \Phi_2; \Phi_1^d)\}.$$

Proof. For $\mathcal{P}, \mathcal{C} \in \mathcal{H}$, $\Phi_1^d \in \mathbb{D}_{\Phi_1}$, $\Phi_2^d \in \mathbb{D}_{\Phi_2}$, we have $\mathcal{P} = \sum_{j \in J} \langle \mathcal{P}, \phi_{2j} \rangle \phi_{2j}^d$, $\mathcal{C} = \sum_{i \in I} \langle \mathcal{C}, \phi_{1i} \rangle \phi_{1i}^d$. In the other words, $\mathcal{P} = \Phi_2^d \Phi_2^* \mathcal{P}$, $\mathcal{C} = \Phi_1^d \Phi_1^* \mathcal{C}$. Now we set $\alpha_1 = \Phi_1^* \mathcal{C}$, $\alpha_2 = \Phi_2^* \mathcal{P}$, we then obtain $\mathcal{P} = \Phi_2^d \alpha_2$, $\mathcal{C} = \Phi_1^d \alpha_1$. Therefore, we have

$$\begin{aligned} & \|\mathbb{1}_{\Lambda_1} \Phi_1^* \mathcal{P}\|_1 + \|\mathbb{1}_{\Lambda_2} \Phi_2^* \mathcal{C}\|_1 = \|\mathbb{1}_{\Lambda_1} \Phi_1^* \Phi_2^d \alpha_2\|_1 + \|\mathbb{1}_{\Lambda_2} \Phi_2^* \Phi_1^d \alpha_1\|_1 \\ & \leq \sum_{i \in \Lambda_1} \left(\sum_j |\langle \Phi_{1i}, \Phi_{2j}^d \rangle| |\alpha_{2j}| \right) + \sum_{j \in \Lambda_2} \left(\sum_i |\langle \Phi_{2j}, \Phi_{1i}^d \rangle| |\alpha_{1i}| \right) \\ & = \sum_j \left(\sum_{i \in \Lambda_1} |\langle \Phi_{1i}, \Phi_{2j}^d \rangle| \right) |\alpha_{2j}| + \sum_i \left(\sum_{j \in \Lambda_2} |\langle \Phi_{2j}, \Phi_{1i}^d \rangle| \right) |\alpha_{1i}| \\ & \leq \mu_c(\Lambda_1, \Phi_1; \Phi_2^d) \|\alpha_2\|_1 + \mu_c(\Lambda_2, \Phi_2; \Phi_1^d) \|\alpha_1\|_1 \\ & \leq \max\{\mu_c(\Lambda_1, \Phi_1; \Phi_2^d), \mu_c(\Lambda_2, \Phi_2; \Phi_1^d)\} (\|\alpha_2\|_1 + \|\alpha_1\|_1) \\ & = \max\{\mu_c(\Lambda_1, \Phi_1; \Phi_2^d), \mu_c(\Lambda_2, \Phi_2; \Phi_1^d)\} (\|\Phi_2^* \mathcal{P}\|_1 + \|\Phi_1^* \mathcal{C}\|_1). \end{aligned}$$

Thus, we obtain $\bar{\kappa}_1(\Lambda_1, \Lambda_2) \leq \max\{\mu_c(\Lambda_1, \Phi_1; \Phi_2^d), \mu_c(\Lambda_2, \Phi_2; \Phi_1^d)\}$, $\forall \Phi_1^d \in \mathbb{D}_{\Phi_1}, \forall \Phi_2^d \in \mathbb{D}_{\Phi_2}$. This completes the proof. \square

We can now present our theoretical guarantee for the procedure (6) which use two generic frames instead of Parseval frames.

Theorem 3.6. *Let Φ_1, Φ_2 be two frames with frame bounds $(A_1, B_1), (A_2, B_2)$, respectively. For $\delta_1, \delta_2 > 0$, we suppose that $f \in \mathcal{H}$ can be decomposed as $f = \mathcal{P} + \mathcal{C}$ so that each component \mathcal{P}, \mathcal{C} is δ_1, δ_2 -relatively sparse in Φ_1 and Φ_2 with respect to Λ_1 and Λ_2 , respectively. Let $(\mathcal{P}^*, \mathcal{C}^*)$ solve (6). If we have $\mu_c(\Lambda_1, \Lambda_2) := \inf_{\Phi_1^d \in \mathbb{D}_{\Phi_1}, \Phi_2^d \in \mathbb{D}_{\Phi_2}} \max\{\mu_c(\Lambda_1, \Phi_1; \Phi_2^d), \mu_c(\Lambda_2, \Phi_2; \Phi_1^d)\} < \frac{1}{2}$, then*

$$\|\mathcal{P}^* - \mathcal{P}\|_2 + \|\mathcal{C}^* - \mathcal{C}\|_2 \leq \frac{2 \max\{B_1, B_2\}(\delta_1 + \delta_2)}{1 - 2\mu_c(\Lambda_1, \Lambda_2)}. \quad (9)$$

Proof. The proof follows directly from Proposition 3.3 and Lemma 3.5. \square

We would like to remark that in case Φ_1, Φ_2 are Parseval frames we have $\mu_c(\Lambda_1, \Lambda_2) \leq \max\{\mu_c(\Lambda_1, \Phi_1; \Phi_2), \mu_c(\Lambda_2, \Phi_2; \Phi_1)\}$ since $\Phi_1 \in \mathbb{D}_{\Phi_1}, \Phi_2 \in \mathbb{D}_{\Phi_2}$. This consequence is exactly the result used in several papers [2, 10, 12, 18, 21] which chose Parseval frames as sparsifying systems. Thus, our theoretical guarantee based on the notion

of the cluster coherence (9) is more general than are shown in aforementioned papers since we can choose an other dual instead of using itself. Although it is not easy to construct a dual, this theoretical guarantee actually shows that we can use synthesis pseudo-dual's properties instead of its explicit construction. The nice property we need in our analysis is that dual frame elements have good time-frequency localization which leads to small cluster coherence.

For the construction of a shearlet dual, some works [19, 22] have shown desirable properties such as well localization and highly directional sensitivity. In the next section, we use the approach from [19] to construct a dual pair of bandlimited α -shearlets for our analysis.

4. COMPONENT SEPARATION

4.1. Mathematical model of components. Consider the image separation problem (5), we now introduce the model of components. In our analysis, we assume that the pointlike component \mathcal{P} is modeled as

$$\mathcal{P}(x) = \sum_1^K c_i |x - x_i|^{-\lambda_i}, \quad (10)$$

where two sequences of constants $\{\lambda_i\}_{i=1}^K, \{c_i\}_{i=1}^K$ satisfy $0 < \lambda_i < 2, 0 < c_i, \forall i = 1, 2, \dots, K$. We choose $\lambda_i < 2$ to bound the energy of the component in frequency domain as the scale goes finer. The choice of $\{\lambda_i\}_{i=1}^K$ depends on each problem of image separation which make component are comparable.

For the curvilinear singularities, we first recall the *Schwartz functions* or the *rapidly decreasing functions*

$$\mathcal{S}(\mathbb{R}^2) = \left\{ f \in C^\infty(\mathbb{R}^2) \mid \forall K, N \in \mathbb{N}_0, \sup_{x \in \mathbb{R}^2} (1 + |x|^2)^{-N/2} \sum_{|\alpha| \leq K} |D^\alpha f(x)| < \infty \right\}.$$

Let $\sigma : [0, 1] \rightarrow \mathbb{R}^2$ be a closed $C^{1/\alpha}$ curve, $\alpha \in [1, 2)$, with non vanishing curvature everywhere. We first consider the model of curvilinear singularity \mathcal{C} as

$$\mathcal{C} = \int_{\mathbb{R}^2} \delta_{\sigma(t)} dt, \quad (11)$$

where δ_x denotes the usual Dirac delta distribution located at x . It is well known that class of α -shearlets using α -scaling can sparsely represent such curvilinear structures [39, 40]. For the sake of simplicity, we restrict our model to the case of the line singularity. The reader should be aware of the fact that by Tubular neighborhood theorem we can extend it to the general case. Intuitively, we can use the technique in [12] to first partition the curve σ into small pieces and then bend them to the form of a *line singularity*, see [12, Section 6] for details.

Similarly as introduced in several papers [15, 36], we model the line distribution $w\mathcal{L}$ acting on Schwartz functions by

$$\langle w\mathcal{L}, f \rangle = \int_\rho^\rho w(x_1) f(x_1, 0) dx_1, \quad f \in \mathcal{S}(\mathbb{R}^2), \quad (12)$$

where w is a weighted function such that $0 \not\equiv w \in C^\infty(\mathbb{R}), \text{supp } w \subset [-\rho, \rho]$, for some $\rho > 0$, and $0 \leq w(x) \leq 1, \forall x \in [-\rho, \rho]$. For such setting, we now approach the question if it possible to separate point-singularities and the line singularities using wavelets and bandlimited α -shearlet types which interpolate from wavelet type ($\alpha = 2$) to

shearlet type ($\alpha = 1$). In our analysis, we prove that we can separate them as long as bandlimited α -shearlets do not coincide with the wavelet type, i.e., $2 > \alpha \geq 1$.

Among well known systems, wavelets provide an optimal sparse representation to the pointwise singularities, whereas shearlets are efficient for curvilinear structures. In what follows, we introduce the construction of these two sparsifying systems.

4.2. Wavelet frames. To sparsely present \mathcal{P} , we choose radial wavelet which form a Parseval frame with perfectly isotropic generating elements. We modify the construction of radial wavelet as follows.

Let ϕ be a Schwartz function on \mathbb{R}^2 such that $\text{supp } \hat{\phi} \subset [-\frac{1}{16}, \frac{1}{16}]$, $0 \leq \hat{\phi}(\theta) \leq 1$ for $\theta \in \mathbb{R}$ and $\hat{\phi}(\theta) = 1$ for $\theta \in [-\frac{1}{32}, \frac{1}{32}]$. We now define the *low-pass function* $\Phi(\xi)$ and the *window function* $W(\xi)$ for $j \in \mathbb{N}$ and $\xi = (\xi_1, \xi_2) \in \mathbb{R}^2$,

$$\hat{\Phi}(\xi) := \hat{\phi}(\xi_1)\hat{\phi}(\xi_2),$$

$$W(\xi) := \sqrt{\hat{\Phi}^2(2^{-2}\xi) - \hat{\Phi}^2(\xi)}, \quad W_j(\xi) := W(2^{-2j}\xi). \quad (13)$$

By definition, $\text{sup } W \subset [-\frac{1}{4}, \frac{1}{4}]^2 \setminus [-\frac{1}{32}, \frac{1}{32}]^2$ and W_j is compactly supported in the corona

$$\mathcal{A}_j := [-2^{2j-2}, 2^{2j-2}]^2 \setminus [-2^{2j-5}, 2^{2j-5}]^2, \quad \forall j \geq 1. \quad (14)$$

In addition, we obtain the partition of unity property

$$\hat{\Phi}^2(\xi) + \sum_{j \geq 0} W_j^2(\xi) = 1, \quad \forall \xi \in \mathbb{R}^2. \quad (15)$$

The *radial wavelets* $\Psi = \{\psi_{j,m}\}_{(j,m)} \cup \{\Phi(\cdot - m)\}$, $j \in \mathbb{N}_0, m \in \mathbb{Z}^2$ which form a Parseval frame are then defined by their Fourier transforms

$$\hat{\psi}_{j,m}(\xi) = 2^{-2j}W_j(\xi)e^{2\pi i\xi^T m/2^{2j}}, \quad j \in \mathbb{N}_0, m \in \mathbb{Z}^2.$$

Since the low frequency part is not of interest to us in our analysis, we therefore simply write $\Psi = \{\phi_{j,m}\}_{(j,m)}$ at some points.

4.3. A pair of bandlimited α -shearlet dual frames. This section is devoted to the construction of a pair of *bandlimited α -shearlet* dual frames which possess many desirable properties. We choose shearlets as it is widely accepted that shearlets in general provide optimal sparse representation for images which are governed by curvilinear structures [6, 13, 2]. Motivated by [19], we modify the construction of the shearlet frame pair and extend it to the case of α -scaling instead of parabolic scaling since α -shearlet type might be best adapted to $C^{1/\alpha}$ -curvilinear singularities. In addition, we modify the Fourier domain decomposition to make it comparable to the wavelet frames.

We first define the *scaling* and *shearing matrix* by

$$A_{\alpha,h} := \begin{bmatrix} 2^2 & 0 \\ 0 & 2^\alpha \end{bmatrix}, \quad S_h := \begin{bmatrix} 1 & 1 \\ 0 & 1 \end{bmatrix}, \quad (16)$$

$$A_{\alpha,v} := \begin{bmatrix} 2^\alpha & 0 \\ 0 & 2^2 \end{bmatrix}, \quad S_v := \begin{bmatrix} 1 & 0 \\ 1 & 1 \end{bmatrix}, \quad (17)$$

where $\alpha \in [1, 2)$ is the *scaling parameter*. Let $v \in C^\infty(\mathbb{R})$ be a *bump function* such that $\text{supp } v \subset [-\frac{3}{2}, \frac{3}{2}]$ and

$$\sum_{l=-2}^2 |v(\omega - l)|^2 = 1, \text{ for } \omega \in [-\frac{3}{2}, \frac{3}{2}]. \quad (18)$$

Consequently, the following holds for $j \geq 0, \omega \in [-\frac{3}{2}, \frac{3}{2}]$,

$$\sum_{l=-\lceil 2 \cdot 2^{(2-\alpha)j} \rceil}^{\lceil 2 \cdot 2^{(2-\alpha)j} \rceil} |v(2^{(2-\alpha)j}\omega - l)|^2 = 1. \quad (19)$$

Next, we define the *cone functions* V_1, V_2 by

$$V_h(\xi) := v\left(\frac{\xi_2}{\xi_1}\right), \quad V_v(\xi) := v\left(\frac{\xi_1}{\xi_2}\right). \quad (20)$$

horizontal frequency cone and the *vertical frequency cone*

$$\mathcal{C}_h := \left\{ (\xi_1, \xi_2) \in \mathbb{R}^2 : |\xi_1| \geq \frac{1}{8}, \left| \frac{\xi_2}{\xi_1} \right| \leq \frac{3}{2} \right\}, \quad (21)$$

$$\mathcal{C}_v := \left\{ (\xi_1, \xi_2) \in \mathbb{R}^2 : |\xi_2| \geq \frac{1}{8}, \left| \frac{\xi_1}{\xi_2} \right| \leq \frac{3}{2} \right\}, \quad (22)$$

and low frequency part

$$\mathcal{C}_0 := \left\{ (\xi_1, \xi_2) \in \mathbb{R}^2 : |\xi_1|, |\xi_2| \leq 1 \right\}. \quad (23)$$

A system of shearlets is then defined by

$$\Phi = \left\{ \phi_{j,l,k}^{\alpha,\iota}(x), \iota = \{h, v\}, j \in \mathbb{N}, -\lceil 2 \cdot 2^{(2-\alpha)j} \rceil \leq l \leq \lceil 2 \cdot 2^{(2-\alpha)j} \rceil, k \in \mathbb{Z}^2 \right\},$$

where $\hat{\phi}_{j,l,k}^{\alpha,\iota}(\xi) = W_j(\xi) V_\iota(\xi^T A_{\alpha,\iota}^{-j} S_\iota^{-l} k) e^{2\pi i \xi^T A_{\alpha,\iota}^{-j} S_\iota^{-l} k}$, $\iota = \{h, v\}$. By the definition $\hat{\psi}_{j,l,k}^{\alpha,\iota}$ has compact support in the trapezoidal region

$$\text{supp } \hat{\psi}_{j,l,k}^{\alpha,v} = \left\{ \xi \in \mathbb{R}^2 \mid \xi_2 \in [-2^{2j-2}, 2^{2j-2}] \setminus [-2^{2j-5}, 2^{2j-5}], \left| \frac{\xi_1}{\xi_2} - l2^{-(2-\alpha)j} \right| \right\}, \quad (24)$$

$$\text{supp } \hat{\psi}_{j,l,k}^{\alpha,h} = \left\{ \xi \in \mathbb{R}^2 \mid \xi_1 \in [-2^{2j-2}, 2^{2j-2}] \setminus [-2^{2j-5}, 2^{2j-5}], \left| \frac{\xi_1}{\xi_2} - l2^{-(2-\alpha)j} \right| \right\}. \quad (25)$$

For convenience, we also define two following compact sets

$$\mathcal{C}_h^* := \left\{ \xi \in \mathbb{R}^2 : \frac{1}{32} \leq |\xi_1| \leq \frac{1}{4}, \left| \frac{\xi_2}{\xi_1} \right| \leq \frac{3}{2} \right\} \supset \text{supp } \hat{\phi}_{j,l,k}^{\alpha,h}(\xi^T S_h^l A_{\alpha,h}^j), \quad (26)$$

$$\mathcal{C}_v^* := \left\{ \xi \in \mathbb{R}^2 : \frac{1}{32} \leq |\xi_2| \leq \frac{1}{4}, \left| \frac{\xi_1}{\xi_2} \right| \leq \frac{3}{2} \right\} \supset \text{supp } \hat{\phi}_{j,l,k}^{\alpha,v}(\xi^T S_v^l A_{\alpha,v}^j). \quad (27)$$

The key ingredient for the construction of a pair of dual shearlet frames is derived from the following Parseval frames for sub-spaces $L^2(\mathcal{C}_h)^\vee, L^2(\mathcal{C}_v)^\vee$ which can be then aggregated to a form a frame for $L^2(\mathbb{R}^2)$.

Lemma 4.1. *The system $\Phi_\alpha^\iota = \{\phi_{j,l,k}^{\alpha,\iota}, j \in \mathbb{N}_0, -\lceil 2 \cdot 2^{(2-\alpha)j} \rceil \leq l \leq \lceil 2 \cdot 2^{(2-\alpha)j} \rceil, k \in \mathbb{Z}^2\}$ forms a Parseval frame for $L_2(\mathcal{C}_\iota)^\vee, \iota = \{h, v\}$ where $L_2(\mathcal{C}_\iota)^\vee = \{f \in L_2(\mathbb{R}^2) : \text{supp } \hat{f} \subset \mathcal{C}_\iota\}$.*

Proof. We only consider $\iota = h$, since the other case is done similarly. Indeed, we have

$$\begin{aligned} \sum_{j \in \mathbb{N}_0} \sum_{l = -\lceil 2^{(2-\alpha)j+1} \rceil}^{\lceil 2^{(2-\alpha)j+1} \rceil} |\hat{\phi}_{j,l,k}^{\alpha,h}(\xi)|^2 &= \sum_{j \in \mathbb{N}_0} |W_j(\xi)|^2 \sum_{l = -\lceil 2^{(2-\alpha)j+1} \rceil}^{\lceil 2^{(2-\alpha)j+1} \rceil} \left| v(2^{(2-\alpha)j} \frac{\xi_2}{\xi_1} - l) \right|^2 \\ &= 1, \quad \forall \xi \in \mathcal{C}_h. \end{aligned}$$

By using Parseval's identity and the observation that $\text{supp } \hat{\phi}_{j,l,k}^{\alpha,h}(\xi^T S_h^l A_{\alpha,h}^j) \subset \mathcal{C}_h^* \subset [-\frac{1}{2}, \frac{1}{2}]^2$, we conclude the claim by standard arguments. \square

We will construct a pair of dual shearlet frames by carefully patching together three Parseval frames Φ_α^ι , $\iota = \{0, h, v\}$, where the construction of translation-invariant Parseval frame Φ^0 for $L^2(\mathcal{C}_0)$ is well-known. We first define corresponding cones of the dual

$$\mathcal{C}_h^d := \left\{ (\xi_1, \xi_2) \in \mathbb{R}^2 : |\xi_1| \geq \frac{1}{4}, \left| \frac{\xi_2}{\xi_1} \right| \leq \frac{4}{3} \right\}, \quad (28)$$

$$\mathcal{C}_v^d := \left\{ (\xi_1, \xi_2) \in \mathbb{R}^2 : |\xi_2| \geq \frac{1}{4}, \left| \frac{\xi_1}{\xi_2} \right| \leq \frac{4}{3} \right\}, \quad (29)$$

and low frequency part

$$\mathcal{C}_0^d := \left\{ (\xi_1, \xi_2) \in \mathbb{R}^2 : |\xi_1|, |\xi_2| \leq \frac{2}{3} \right\}. \quad (30)$$

For an illustration, we refer to Figure 1.

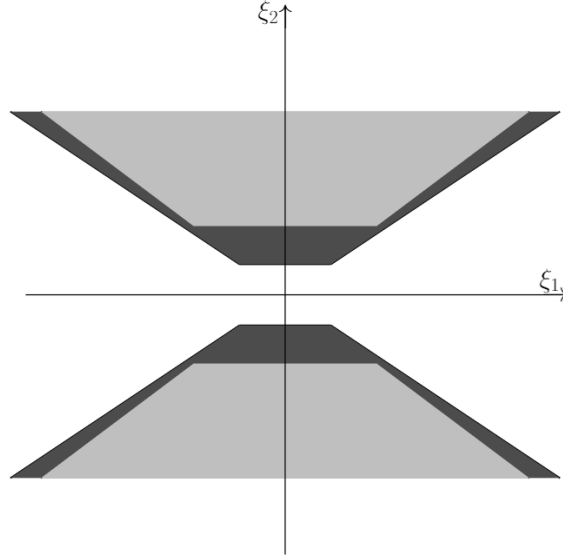


FIGURE 1. Cones \mathcal{C}_ν (black) and \mathcal{C}_ν^d (gray) with $\mathcal{C}_\nu^d \subset \mathcal{C}_\nu$ in frequency domain.

Next, we choose χ_ι, γ_ι in $C^\infty(\mathbb{R}^2)$, $\iota = 0, h, v$ by the following lemma.

Lemma 4.2. *There exist χ_ι, γ_ι in $C^\infty(\mathbb{R}^2)$, $\iota = 0, h, v$ such that the following properties hold:*

- (i) $\text{supp } \chi_\iota, \gamma_\iota \subset \mathcal{C}_\iota$, $\iota = \{0, h, v\}$, $\sum_{\iota \in \{0, h, v\}} \chi_\iota(\xi) = 1$, $\forall \xi \in \mathbb{R}^2$.

(ii) $\chi_\iota(\xi^T S_\iota^l A_{\alpha,\iota}^j), \gamma_\iota(\xi^T S_\iota^l A_{\alpha,\iota}^j) \in C^\infty(\mathcal{C}_\iota^*)$ with norms

$$\|\chi_\iota((\cdot)^T S_\iota^l A_{\alpha,\iota}^j)\|_{C^N(\mathcal{C}_\iota^*)}, \|\gamma_\iota((\cdot)^T S_\iota^l A_{\alpha,\iota}^j)\|_{C^N(\mathcal{C}_\iota^*)} \leq C_N,$$

where constants C_N are independent of j .

Proof. Let $\chi_0 \in C^\infty$, $\text{supp } \chi = \mathcal{C}_0 = \{\xi \in \mathbb{R}^2 : |\xi| \leq 1\}$ and $\chi_0(\xi) = 1, \forall \xi = (\xi_1, \xi_2) : |\xi| \leq \frac{2}{3}$. We now define

$$\chi_h := g_h(\xi_1)h_h\left(\frac{\xi_2}{\xi_1}\right), \quad \chi_v(\xi_1, \xi_2) := \chi_h(\xi_2, \xi_1) = g_h(\xi_2)h_h\left(\frac{\xi_1}{\xi_2}\right),$$

where g_h, h_h are real-valued functions such that $g_h, h_h \in C^\infty(\mathbb{R})$, $\text{supp } g_h = [\frac{1}{8}, \infty)$, $g_h|_{[\frac{1}{2}, \infty)} \equiv 1$, and $\text{supp } h_h \subset [-\frac{3}{2}, \frac{3}{2}]$, $h_h|_{[-\frac{4}{3}, \frac{4}{3}]} \equiv 1$.

Next, we define

$$\gamma_h(\xi) := g_v(\xi_1)h_v\left(\frac{\xi_2}{\xi_1}\right), \quad \gamma_v(\xi) = g_v(\xi_2)\left[1 - h_v\left(\frac{\xi_2}{\xi_1}\right)\right],$$

where $\text{supp } g_v = [\frac{1}{4}, \infty)$, $g_v|_{[\frac{1}{2}, \infty)} \equiv 1$, and $\text{supp } h_v = [-\frac{4}{3}, \frac{4}{3}]$, $h_v|_{[-\frac{3}{4}, \frac{3}{4}]} \equiv 1$. We now choose $\gamma_0(\xi) = 1 - \chi_h(\xi)\gamma_h(\xi) - \chi_v(\xi)\gamma_v(\xi), \forall \xi \in \mathbb{R}^2$. We prove that χ_ι, γ_ι satisfy desired properties. Indeed,

i) Obviously, $\text{supp } \chi_\iota \subset \mathcal{C}_\iota, \iota = \{0, h, v\}$. By definition, $\text{supp } \gamma_h \subset \mathcal{C}_h^d$, and $\text{supp } \gamma_v \subset \mathcal{C}_v^d$ since $1 - h_v(\frac{\xi_2}{\xi_1}) = 0$ for $\xi = (\xi_1, \xi_2) : \left|\frac{\xi_1}{\xi_2}\right| > \frac{4}{3}$.

Now it remains to show that $\text{supp } \gamma_0 \subset \mathcal{C}_0$. For this, we need to prove $\chi_h(\xi)\gamma_h(\xi) + \chi_v(\xi)\gamma_v(\xi) = 1$ for $\xi, |\xi| > \frac{2}{3}$. Indeed, we first observe

$$h_h\left(\frac{\xi_2}{\xi_1}\right) \cdot h_v\left(\frac{\xi_2}{\xi_1}\right) = h_v\left(\frac{\xi_2}{\xi_1}\right), \quad \forall \xi \in \mathbb{R}^2, \quad (31)$$

and

$$h_h\left(\frac{\xi_1}{\xi_2}\right) \cdot \left[1 - h_v\left(\frac{\xi_2}{\xi_1}\right)\right] = 1 - h_v\left(\frac{\xi_2}{\xi_1}\right), \quad \forall \xi \in \mathbb{R}^2. \quad (32)$$

Next we consider four cases

Case 1: $|\xi_1| \geq \frac{2}{3}, |\xi_2| < \frac{1}{2}$. Since $|\xi_1| > \frac{1}{2}, \left|\frac{\xi_1}{\xi_2}\right| > \frac{4}{3}, \left|\frac{\xi_2}{\xi_1}\right| < \frac{3}{4}$, we obtain $g_h(\xi_1) = g_v(\xi_1) = h_h\left(\frac{\xi_2}{\xi_1}\right) = h_v\left(\frac{\xi_2}{\xi_1}\right) = 1$. Thus, $\chi_h(\xi)\gamma_h(\xi) + \chi_v(\xi)\gamma_v(\xi) = 1$.

Case 2: $|\xi_1| \geq \frac{2}{3}, |\xi_2| \geq \frac{1}{2}$. We have $g_h(\xi_1) = g_v(\xi_1) = g_h(\xi_2) = g_v(\xi_2) = 1$. This implies

$$\begin{aligned} \chi_h(\xi)\gamma_h(\xi) + \chi_v(\xi)\gamma_v(\xi) &= h_h\left(\frac{\xi_2}{\xi_1}\right)h_v\left(\frac{\xi_2}{\xi_1}\right) + h_h\left(\frac{\xi_1}{\xi_2}\right)\left[1 - h_v\left(\frac{\xi_2}{\xi_1}\right)\right] \\ &\stackrel{(31)+(32)}{=} h_v\left(\frac{\xi_2}{\xi_1}\right) + 1 - h_v\left(\frac{\xi_2}{\xi_1}\right) = 1. \end{aligned}$$

Case 3: $|\xi_2| \geq \frac{2}{3}, |\xi_1| < \frac{1}{2}$. Since $|\xi_2| \geq \frac{1}{2}, \left|\frac{\xi_2}{\xi_1}\right| > \frac{4}{3}, \left|\frac{\xi_1}{\xi_2}\right| < \frac{3}{4}$, we obtain $g_h(\xi_2) = g_v(\xi_2) = 1, h_h\left(\frac{\xi_1}{\xi_2}\right) = 1, h_v\left(\frac{\xi_2}{\xi_1}\right) = 0$. Thus, $\chi_h(\xi)\gamma_h(\xi) + \chi_v(\xi)\gamma_v(\xi) = 0 + 1 = 1$.

Case 4: $|\xi_2| \geq \frac{2}{3}, |\xi_1| \geq \frac{1}{2}$. Since $g_h(\xi_1) = g_v(\xi_1) = g_h(\xi_2) = g_v(\xi_2) = 1$, we derive

$$\begin{aligned} \chi_h(\xi)\gamma_h(\xi) + \chi_v(\xi)\gamma_v(\xi) &= h_h\left(\frac{\xi_2}{\xi_1}\right)h_v\left(\frac{\xi_2}{\xi_1}\right) + h_h\left(\frac{\xi_1}{\xi_2}\right)\left[1 - h_v\left(\frac{\xi_2}{\xi_1}\right)\right] \\ &\stackrel{(31)+(32)}{=} h_v\left(\frac{\xi_2}{\xi_1}\right) + 1 - h_v\left(\frac{\xi_2}{\xi_1}\right) = 1. \end{aligned}$$

Thus, we obtain $\text{supp } \gamma_0 \subset \mathcal{C}_0^d$.

On the other hand, by definition we have $\gamma_0(\xi) + \chi_h(\xi)\gamma_h(\xi) + \chi_v(\xi)\gamma_v(\xi) = 1, \forall \xi \in \mathbb{R}^2$. In addition, $\text{supp } \gamma_0 \subset \mathcal{C}_0^d = \{\xi \in \mathbb{R}^2 : |\xi| \leq \frac{2}{3}\}$ and $\chi_0 \equiv 1, \forall \xi \in \mathcal{C}_0^d$, we obtain $\chi_0(\xi)\gamma_0(\xi) = \gamma_0(\xi), \forall \xi \in \mathbb{R}^2$. Thus, $\sum_{\iota \in \{0, h, v\}} \chi_\iota(\xi)\gamma_\iota(\xi) = 1$. This concludes the claim.

iii) First we consider

$$\begin{aligned} \chi_h(\xi^T S_h^l A_{\alpha, h}^j) &= \chi_h(2^{2j}\xi_1, 2^{\alpha j}(\xi_2 + l\xi_1)) \\ &= g_h(2^{2j}\xi_1)h_h(2^{-(2-\alpha)j}(\frac{\xi_2}{\xi_1} + l)). \end{aligned}$$

Since we have $g_h(2^{2j}\xi_1) \equiv 1, \forall \xi \in \mathcal{C}_h^*$, for $j \geq 2$. Obviously, $\chi_h(\xi^T S_h^l A_{\alpha, h}^j) \in C^\infty(\mathcal{C}_h^*)$ with $\|\chi_h((\cdot)^T S_h^l A_{\alpha, h}^j)\|_{C^N(\mathcal{C}_h^*)} \leq C_N$.

The proof works analogously to case of $\chi_v(\xi^T S_v^l A_{\alpha, v}^j), \gamma_h(\xi^T S_h^l A_{\alpha, h}^j)$. It remains to prove for $\gamma_v(\xi^T S_v^l A_{\alpha, v}^j)$, we have

$$\gamma_v(\xi^T S_v^l A_{\alpha, v}^j) = g_v(2^{2j}\xi_2) \left[1 - h_v\left(\frac{2^{2j}\xi_2}{2^{\alpha j}(l\xi_1 + \xi_2)}\right) \right].$$

The observation $\text{supp } h_v = [-\frac{4}{3}, \frac{4}{3}]$ implies $h_v(\frac{2^{2j}\xi_2}{2^{\alpha j}(l\xi_1 + \xi_2)}) = 0$, for $\left| \frac{2^{2j}\xi_2}{2^{\alpha j}(l\xi_1 + \xi_2)} \right| > \frac{4}{3}$. In the other words, for $j \geq 2, \gamma_v(\xi^T S_v^l A_{\alpha, v}^j) \neq 1$ only for $l \gtrsim 2^{(2-\alpha)j}$. By a direct computation, for $j \geq 2, l \gtrsim 2^{(2-\alpha)j}$, we obtain $G(\xi) := 2^{(2-\alpha)j} \frac{\xi_2}{l\xi_1 + \xi_2} \in C^\infty(\mathcal{C}_v^*)$ and $\left| \frac{\partial^N}{\partial \xi_1^N} G(\xi) \right|, \left| \frac{\partial^N}{\partial \xi_2^N} G(\xi) \right| \leq C_N$, where C_N are constants independent of j . This finishes the proof. \square

Let us now go back to the starting point of constructing a dual pair of shearlet types. We define two representation systems of bandlimited α -shearlet associated with those functions in Lemma 4.2 by

$$\Phi_\alpha = \left\{ \check{\chi}_\iota * \phi_{j, l, k}^{\alpha, \iota}(x), \iota = \{h, v\}, j \in \mathbb{N}_0, -\lceil 2 \cdot 2^{(2-\alpha)j} \rceil \leq l \leq \lceil 2 \cdot 2^{(2-\alpha)j} \rceil, k \in \mathbb{Z}^2 \right\}$$

$$\cup \{ \check{\chi}_0 * \phi_k^0(x), k \in \mathbb{Z}^2 \},$$

and

$$\Phi_\alpha^d = \left\{ \check{\gamma}_\iota * \phi_{j, l, k}^{\alpha, \iota}(x), \iota = \{h, v\}, j \in \mathbb{N}_0, -\lceil 2 \cdot 2^{(2-\alpha)j} \rceil \leq l \leq \lceil 2 \cdot 2^{(2-\alpha)j} \rceil, k \in \mathbb{Z}^2 \right\}.$$

$$\cup \{ \check{\gamma}_0 * \phi_k^0(x), k \in \mathbb{Z}^2 \},$$

where $\Phi^0 = \{ \phi_k^0(x) \}_{k \in \mathbb{Z}^2}$ forms a Parseval frame for $L^2(\mathcal{C}_0)$.

As mentioned before, these two systems are a natural extension of shearlets by using flexible scaling to accommodate the smoothness of the data. They consists of a countable collection of well-localized shearlet elements at various locations, scales and orientations. In addition, we combine two Parseval frames by using χ_ι, γ_ι instead of $\gamma_\iota, \frac{\chi_\iota}{\gamma_\iota}$ used in [19] which might lead to bad behavior when we consider higher derivatives of shearlet elements.

For convenience, let us use the following index set of shearlets

$$\Delta := \left\{ (j, l, k, \iota) \mid j \geq 0, l \in \mathbb{Z}, |l| \leq \lceil 2 \cdot 2^{(2-\alpha)j} \rceil, k \in \mathbb{Z}^2, \iota \in \{h, v\} \right\}$$

$$\Delta_j := \left\{ (l, k, \iota) \mid l \in \mathbb{Z}, |l| \leq \lceil 2 \cdot 2^{(2-\alpha)j} \rceil, k \in \mathbb{Z}^2, \iota \in \{h, v\} \right\}, j \geq 0.$$

Lemma 4.3. *The systems $\Phi_\alpha, \Phi_\alpha^d$ form a pair of shearlet frames for $L^2(\mathbb{R}^2)$. Consequently, we have $\Phi_\alpha^d \in \mathbb{D}_{\Phi_\alpha}$.*

Proof. First we prove that Φ_α forms a frame for $L^2(\mathbb{R}^2)$. Indeed, the observation $\text{supp } \chi_\iota \in \mathcal{C}_\iota, \iota = \{0, h, v\}$ implies $\text{supp } \chi_\iota \hat{f} \in \mathcal{C}_\iota, \iota = \{0, h, v\}$. Now we exploit that Φ^0 and $\Phi_\alpha^\iota = \{\hat{\phi}_{j,l,k}^{\alpha,\iota}, j \in \mathbb{N}_0, -[2 \cdot 2^{(2-\alpha)j}] \leq l \leq [2 \cdot 2^{(2-\alpha)j}], k \in \mathbb{Z}^2\}, \iota = \{h, v\}$ constitute Parseval frames for $\mathcal{C}_\iota, \iota = \{0, h, v\}$ and obtain

$$\begin{aligned} \sum_{\substack{(j,l,k,\iota) \in \Delta \\ \cup \{\iota=0, k \in \mathbb{Z}^2\}}} |\langle f, \Phi_\alpha \rangle|^2 &= \sum_{(j,l,k,\iota) \in \Delta} |\langle \hat{f}, \chi_\iota \hat{\phi}_{j,l,k}^{\alpha,\iota} \rangle|^2 + \sum_{k \in \mathbb{Z}^2} |\langle \hat{f}, \chi_0 \hat{\phi}_k^0 \rangle|^2 \\ &= \sum_{(j,l,k,\iota) \in \Delta} |\langle \chi_\iota \hat{f}, \hat{\phi}_{j,l,k}^{\alpha,\iota} \rangle|^2 + \sum_{k \in \mathbb{Z}^2} |\langle \chi_0 \hat{f}, \hat{\phi}_k^0 \rangle|^2 \\ &= \sum_{\iota \in \{0, h, v\}} \|\chi_\iota \hat{f}\|_2^2 \leq \sum_{\iota \in \{0, h, v\}} \|\chi_\iota\|_\infty^2 \cdot \|f\|_2^2. \end{aligned} \quad (33)$$

In addition,

$$\begin{aligned} 3 \sup_{\iota \in \{0, h, v\}} \|\gamma_\iota\|_\infty^2 \cdot \sum_{\substack{(j,l,k,\iota) \in \Delta \\ \cup \{\iota=0, k \in \mathbb{Z}^2\}}} |\langle f, \Phi_\alpha \rangle|^2 &= 3 \sup_{\iota \in \{0, h, v\}} \|\gamma_\iota\|_\infty^2 \cdot \sum_{\iota \in \{0, h, v\}} \|\chi_\iota \hat{f}\|_2^2 \\ &\geq \left\| \sum_{\iota \in \{0, h, v\}} \chi_\iota \gamma_\iota \hat{f} \right\|_2^2 = \|f\|_2^2. \end{aligned} \quad (34)$$

Combine (33) and (34) we obtain

$$\frac{1}{3 \sup_{\iota \in \{0, h, v\}} \|\gamma_\iota\|_\infty^2} \cdot \|f\|_2^2 \leq \sum_{\substack{(j,l,k,\iota) \in \Delta \\ \cup \{\iota=0, k \in \mathbb{Z}^2\}}} |\langle f, \Phi_\alpha \rangle|^2 \leq \sum_{\iota \in \{0, h, v\}} \|\chi_\iota\|_\infty^2 \cdot \|f\|_2^2. \quad (35)$$

Similarly, we have

$$\frac{1}{3 \sup_{\iota \in \{0, h, v\}} \|\chi_\iota\|_\infty^2} \cdot \|f\|_2^2 \leq \sum_{\substack{(j,l,k,\iota) \in \Delta \\ \cup \{\iota=0, k \in \mathbb{Z}^2\}}} |\langle f, \Phi_\alpha^d \rangle|^2 \leq \sum_{\iota \in \{0, h, v\}} \|\gamma_\iota\|_\infty^2 \cdot \|f\|_2^2. \quad (36)$$

It remains to show that $\Phi_\alpha, \Phi_\alpha^d$ form a pair of dual frames. Due to Plancherel's theorem and $\Phi^0, \Phi_\alpha^\iota, \iota = \{h, v\}$ being Parseval frames for $L^2(\mathcal{C}_\iota)^\vee, \iota = \{0, h, v\}$, we have

$$\begin{aligned} \sum_{\substack{(j,l,k,\iota) \in \Delta \\ \cup \{\iota=0, k \in \mathbb{Z}^2\}}} \langle f, \Phi_\alpha \rangle \hat{\Phi}_\alpha^d &= \sum_{(j,l,k,\iota) \in \Delta} \langle \hat{f}, \chi_\iota \hat{\phi}_{j,l,k}^{\alpha,\iota} \rangle \gamma_\iota \hat{\phi}_{j,l,k}^{\alpha,\iota} + \sum_{k \in \mathbb{Z}^2} \langle \hat{f}, \chi_0 \hat{\phi}_k^0 \rangle \gamma_0 \hat{\phi}_k^0 \\ &= \sum_{(j,l,k,\iota) \in \Delta} \langle \chi_\iota \gamma_\iota \hat{f}, \hat{\phi}_{j,l,k}^{\alpha,\iota} \rangle \hat{\phi}_{j,l,k}^{\alpha,\iota} + \sum_{k \in \mathbb{Z}^2} \langle \chi_0 \gamma_0 \hat{f}, \hat{\phi}_k^0 \rangle \hat{\phi}_k^0 \\ &= \sum_{\iota \in \{0, h, v\}} \chi_\iota \gamma_\iota \hat{f} = \hat{f}. \end{aligned}$$

This finishes the proof. \square

Shearlets have been studied extensively so far due to their highly directional performance and smooth digital grid, whereas wavelets are best adapted to anisotropic feature like point singularities. Bandlimited α -shearlets allow for a unified treatment of wavelets and shearlets. If $\alpha = 1$ we obtain the band limited shearlet frame by using parabolic scaling. Different from the literature [19], we here rescaled the parameter j to $2j$. Therefore, the spatial footprints of shearlets are of size 2^{-j} times

2^{-2j} instead of $2^{-j/2}$ times 2^{-j} . Also, if α approaches 2 the elements of α -shearlets scale in an isotropic fashion. Thus, $\Phi_\alpha = \{\phi_{j,l,k}^{\alpha,l}\}_{(j,l,k,l) \in \Delta} \cup \{\phi_k^0\}_{k \in \mathbb{Z}^2}$ can be viewed as a special instance of wavelets. Consider the shearlet system Φ_α the tiling of the frequency domain on the vertical cone \mathcal{C}_v is illustrated in Figure 4.3.

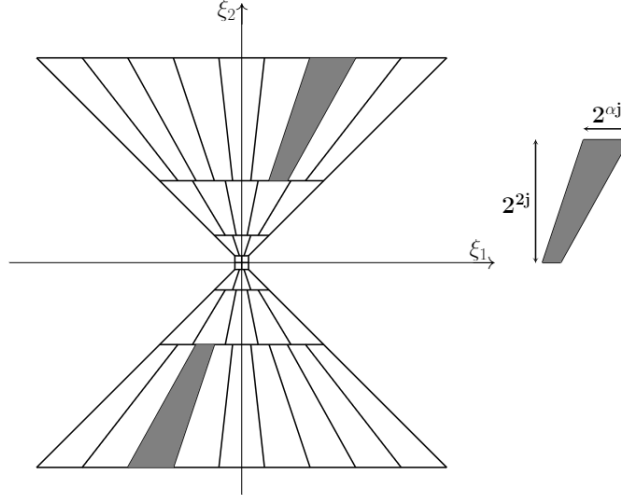


FIGURE 2. The frequency tiling of the vertical cone \mathcal{C}_v , with the support of one shearlet highlighted.

The reader should be aware of the fact that we can construct a system satisfying a milder condition (3), i.e., an element of \mathbb{D}_Φ , instead of forming a dual. In fact, if there exists a well-localized synthesis pseudo-dual the success of the proposed algorithm is guaranteed.

5. MULTI-SCALE COMPONENT SEPARATION

For $\alpha \in [1, 2)$, we first fix a constant ϵ such that

$$0 < \epsilon < \frac{2 - \alpha}{4}. \quad (37)$$

Using the window function W_j by (13), we define a class of *frequency filters* F_j defined by its Fourier transform

$$\hat{F}_j(\xi) := W_j(\xi) = W(\xi/2^{2j}), \quad \forall j \geq 1, \xi \in \mathbb{R}^2, \quad (38)$$

and in low frequency part

$$\hat{F}_0(\xi) := \Phi(\xi), \quad \xi \in \mathbb{R}^2.$$

Using these filters to decompose f into sub-images by $f_j = F_j * f$, the original image f is then recovered from its pieces f_j by (15)

$$f = \sum_{j \in \mathbb{N}_0} F_j * f_j. \quad (39)$$

We intend to apply the Algorithm 1 for each sub-image f_j which is assumed to be $\mathcal{P}_j + w\mathcal{L}_j$, where $\mathcal{P}_j = F_j * \mathcal{P}$, $w\mathcal{L}_j = F_j * w\mathcal{L}$. The whole signal f is then reconstructed by (39).

These filters allows us to consider the pointlike and curvelike part at different scales. The separation problem is meaningful at each scale if the components are comparable

in sense of their energy. A main issue is the balance of the energy of each component [12, 21], i.e., we may assume that $\{\gamma_i\}_{i=1}^K, \{c_i\}_{i=1}^K$ are chosen satisfying $\|\mathcal{P}_j\|_2 \approx \|\mathcal{C}_j\|_2$ at each scale j . In that case, we can choose $\max_{i=1,2,\dots,K}\{\lambda_i\} = \frac{3}{2}$. However, we will not restrict to this energy balancing condition in our analysis. We later show that the success of the proposed algorithm is guaranteed as long as the energy of components are not too small, i.e., they satisfy a lower bound at each scale. This guarantees the performance even in case of different energies.

We would like to emphasize that there are very few elements interacting significantly with the discontinuities, i.e., few elements of the wavelet and shearlet expansions are enough to provide accurate approximations of the components. This allows us to define the following clusters which will be then exploited to derive small error approximation as well as the cluster coherence of

$$\Lambda_{1j} = \left\{ (j', m) \mid j' \in \mathbb{Z}, |j' - j| \leq 1, m = (m_1, m_2) \in \mathbb{Z}^2, \sqrt{m_1^2 + m_2^2} \leq 2^{\epsilon_j} \right\}, \quad (40)$$

and

$$\Lambda_{2j} = \left\{ (j', l, k, v) \in \Delta \mid j' \in \mathbb{Z}, |j' - j| \leq 1, k = (k_1, k_2) \in \mathbb{Z}^2, |k_2 - lk_1| \leq 2^{\epsilon_j} \right\}. \quad (41)$$

Intuitively, the geometry underlying these two components should be different so that a chosen frame pair can provide sufficient small cluster sparsity and cluster coherence, which guarantee the success of the Algorithm 1. Indeed, although points and curves can overlap in spatial domain, their wavefront set might be quite different in phase space consisting of a pair of positions and directions. Here the wavefront set of a distribution f is the set of positions and orientations at which f is not smooth. This difference intuitively enables us to separate the components by microlocal analysis, see [12] for a more comprehensive discussion.

We now present our main separation result.

Theorem 5.1. *Consider a wavelet frame $\Psi = \{\psi_{j,m}\}_{(j,m)}$ and a band limited α -shearlet type frame $\Phi_\alpha = \{\phi_{j,l,k}^{\alpha,\iota}\}_{(j,l,k,\alpha,\iota) \in \Delta} \cup \{\phi_k^0\}_{k \in \mathbb{Z}^2}, \alpha \in [1, 2)$. Then separation based on scale j is achieved by (6) in the limit of large j . Namely, we have*

$$\frac{\|\mathcal{P}_j^* - \mathcal{P}_j\|_2}{\|\mathcal{P}_j\|_2} + \frac{\|\mathcal{C}_j^* - w\mathcal{L}_j\|_2}{\|w\mathcal{L}_j\|_2} = o(2^{-Nj}) \rightarrow 0, \quad j \rightarrow \infty, \quad (42)$$

for all $N \geq 0$, where $(\mathcal{P}_j^*, \mathcal{C}_j^*)$ is the solution of (6) and $(\mathcal{C}_j, \mathcal{T}_{s,j})$ are purported components.

We delay the proof until later after we have introduced our main tools in Subsections 5.1, 5.2. We will use Theorem 3.6 for the proof of this theorem. For this, we need to show that clusters $\Lambda_{1,j}, \Lambda_{2,j}$ provide sparse representation of pointlike and curvelike singularities in the sense that the sparsity $\delta = \delta_{1,2} + \delta_{2,j}$ is negligible. In addition, the cluster coherence $\mu_c = \mu_c(\Lambda_{1,j}, \Psi; \Phi^\alpha) + \mu_c(\Lambda_{2,j}, \Phi_\alpha; \Psi)$ is also sufficiently small. Those conditions ensure the success of the Algorithm 1 as a result of Theorem 3.6. We would like to remark that in our analysis we need the fast decay of the dual frame rather than its explicit construction.

As a consequence, Theorem 5.1 implies that it is possible to separate pointlike and curvelike structures using wavelets and α -shearlets if α -shearlets do not share the isotropic feature with wavelets, i.e., $\alpha < 2$. Indeed, traditional wavelets which are based on isotropic dilations are not very effective when dealing with multivariate data. In contrast, shearlets show a greater ability to capture anisotropic features

by applying a different dilation factor along the two axes. Here the parameter α measures the degree of anisotropy. If $\alpha = 2$ the scaling matrices $A_{\alpha,\iota}$, $\iota = \{h, v\}$ become isotropic dilations which show similar behavior as wavelets in the sense of directional sensitivity.

The next two subsections are dedicated to the estimate of cluster coherence and the cluster sparsity.

5.1. Estimate of cluster coherence. The following lemma shows that wavelet and shearlet elements are well-localized at various scales, positions and directions.

Lemma 5.2. *Consider a wavelet frame $\Psi = \{\psi_{j,m}\}_{(j,m)}$ and a band limited α -shearlet type frame $\Phi_\alpha = \{\phi_{j,l,k}^{\alpha,\iota}\}_{(j,l,k,\alpha,\iota) \in \Delta} \cup \{\phi_k^0\}_{k \in \mathbb{Z}^2}$. Then there exists a universal constant C_N independent of j such that the following estimates hold for any arbitrary integer $N = 1, 2, \dots$*

$$\begin{aligned}
(i) \quad & |\psi_{j,m}(x)| \leq C_N \cdot 2^{2j} \cdot \langle |2^{2j}x_1 + m_1| \rangle^{-N} \langle |2^{2j}x_2 + m_2| \rangle^{-N}. \\
(ii) \quad & |\tilde{\chi}_v(x) * \phi_{j,l,k}^{\alpha,v}(x)| \leq C_N \cdot 2^{(2+\alpha)j/2} \cdot \langle |2^{\alpha j}x_1 + k_1| \rangle^{-N} \langle |2^{2j}x_2 + l2^{\alpha j}x_1 + k_2| \rangle^{-N}, \\
& |\tilde{\chi}_h(x) * \phi_{j,l,k}^{\alpha,h}(x)| \leq C_N \cdot 2^{(2+\alpha)j/2} \cdot \langle |2^{2j}x_1 + l2^{\alpha j}x_2 - k_1| \rangle^{-N} \langle |2^{\alpha j}x_2 - k_2| \rangle^{-N}, \\
& \text{and similarly} \\
& |\tilde{\gamma}_v(x) * \phi_{j,l,k}^{\alpha,v}(x)| \leq C_N \cdot 2^{(2+\alpha)j/2} \cdot \langle |2^{\alpha j}x_1 + k_1| \rangle^{-N} \langle |2^{2j}x_2 + l2^{\alpha j}x_1 + k_2| \rangle^{-N}, \\
& |\tilde{\gamma}_h(x) * \phi_{j,l,k}^{\alpha,h}(x)| \leq C_N \cdot 2^{(2+\alpha)j/2} \cdot \langle |2^{2j}x_1 + l2^{\alpha j}x_2 - k_1| \rangle^{-N} \langle |2^{\alpha j}x_2 - k_2| \rangle^{-N}. \\
(iii) \quad & |\langle \phi_{j,m}, \tilde{\chi}_\iota(x) * \phi_{j,l,k'}^{\alpha,\iota} \rangle| \leq C_N \cdot 2^{-(2-\alpha)j/2}, \quad \forall \iota \in \{v, h\}, \\
& |\langle \phi_{j,m}, \tilde{\gamma}_\iota(x) * \phi_{j,l,k'}^{\alpha,\iota} \rangle| \leq C_N \cdot 2^{-(2-\alpha)j/2}, \quad \forall \iota \in \{v, h\}.
\end{aligned}$$

Proof. i) With the variable $\zeta = 2^{-2j}\xi$, we have

$$\begin{aligned}
|\psi_{j,m}(x)| &= \left| \int_{\mathbb{R}^2} 2^{-2j} W_j(\xi) e^{2\pi i \xi^T m / 2^{2j}} e^{2\pi i \xi^T x} d\xi \right| \\
&= \left| \int_{\mathbb{R}^2} 2^{2j} W(\zeta) e^{2\pi i \zeta^T (2^{2j}x+m)} d\zeta \right|.
\end{aligned}$$

By integration by parts for $N_1, N_2 = 1, 2, \dots$, with respect to ζ_1, ζ_2 , respectively, we have

$$\begin{aligned}
|\psi_{j,m}(x)| &= \left| \int_{\mathbb{R}^2} 2^{2j} (2^{2j}x_1 + m_1)^{-N_1} \frac{\partial^{N_1}}{\partial \zeta_1^{N_1}} [W(\zeta)] e^{2\pi i \zeta^T (2^{2j}x+m)} d\zeta \right| \\
&= \left| \int_{\mathbb{R}^2} 2^{2j} (2^{2j}x_1 + m_1)^{-N_1} (2^{2j}x_2 + m_2)^{-N_2} \frac{\partial^{N_1+N_2}}{\partial \zeta_1^{N_1} \partial \zeta_2^{N_2}} [W(\zeta)] e^{2\pi i \zeta^T (2^{2j}x+m)} d\zeta \right| \\
&\leq 2^{2j} |2^{2j}x_1 + m_1|^{-N_1} |2^{2j}x_2 + m_2|^{-N_2} \int_{\mathbb{R}^2} \left| \frac{\partial^{N_1+N_2}}{\partial \zeta_1^{N_1} \partial \zeta_2^{N_2}} [W(\zeta)] \right| d\zeta,
\end{aligned}$$

and similarly

$$|\psi_{j,m}(x)| \leq 2^{2j} |2^{2j}x_i + m_i|^{-N_i} \int_{\mathbb{R}^2} \left| \frac{\partial^{N_i}}{\partial \zeta_i^{N_i}} [W(\zeta)] \right| d\zeta,$$

for $i = 1, 2$. Note that the boundary terms vanish since $W(\zeta)$ has compact support. Thus,

$$\begin{aligned}
& 2^{-2j} \left(1 + |2^{2j}x_1 + m_1|^{N_1} + |2^{2j}x_2 + m_2|^{N_2} + |2^{2j}x_1 + m_1|^{N_1} |2^{2j}x_2 + m_2|^{N_2} \right) |\psi_{j,m}(x)| \\
&= 2^{-2j} \left(1 + |2^{2j}x_1 + \frac{m_1}{2}|^{N_1} \right) \left(1 + |2^{2j}x_2 + \frac{m_2}{2}|^{N_2} \right) |\psi_{j,m}(x)| \\
&\leq \int_{\mathbb{R}^2} |W(\zeta)| d\zeta + \int_{\mathbb{R}^2} \left| \frac{\partial^{N_1}}{\partial \zeta_1^{N_1}} W(\zeta) \right| d\zeta + \int_{\mathbb{R}^2} \left| \frac{\partial^{N_2}}{\partial \zeta_2^{N_2}} W(\zeta) \right| d\zeta \\
&\quad + \int_{\mathbb{R}^2} \left| \frac{\partial^{N_1+N_2}}{\partial \zeta_1^{N_1} \partial \zeta_2^{N_2}} W(\zeta) \right| d\zeta.
\end{aligned}$$

Since $W(\zeta) \in C^\infty$, there exists a constant C'_{N_1, N_2} independent of j such that

$$\int_{\mathbb{R}^2} |W(\zeta)| d\zeta + \int_{\mathbb{R}^2} \left| \frac{\partial^{N_1}}{\partial \zeta_1^{N_1}} W(\zeta) \right| d\zeta + \int_{\mathbb{R}^2} \left| \frac{\partial^{N_2}}{\partial \zeta_2^{N_2}} W(\zeta) \right| d\zeta + \int_{\mathbb{R}^2} \left| \frac{\partial^{N_1+N_2}}{\partial \zeta_1^{N_1} \partial \zeta_2^{N_2}} W(\zeta) \right| d\zeta \leq C'_{N_1, N_2}.$$

Thus, we obtain

$$|\psi_{j,m}(x)| \leq C'_{N_1, N_2} \cdot 2^{2j} \cdot \frac{1}{1 + |2^{2j}x_1 + m_1|^{N_1}} \frac{1}{1 + |2^{2j}x_2 + m_2|^{N_2}}.$$

In addition, there exist constants C'_{N_1}, C'_{N_2} for each $N_1, N_2 = 1, 2, \dots$ such that

$$\langle |2^{2j}x_1 + m_1| \rangle^{N_1} = (1 + |2^{2j}x_1 + m_1|^2)^{N_1/2} \leq C'_{N_1} (1 + |2^{2j}x_1 + m_1|)^{N_1},$$

and

$$\langle |2^{2j}x_2 + m_2| \rangle^{N_2} = (1 + |2^{2j}x_2 + m_2|^2)^{N_2/2} \leq C'_{N_2} (1 + |2^{2j}x_2 + m_2|)^{N_2}.$$

Finally, we obtain

$$|\psi_{j,m}(x)| \leq C_{N_1, N_2} \cdot 2^{2j} \cdot \langle |2^{2j}x_1 + m_1| \rangle^{-N_1} \langle |2^{2j}x_2 + m_2| \rangle^{-N_2}.$$

This shows the first claim.

ii) With the variable $\zeta^T = \xi^T A_{\alpha, \iota}^{-j} S_\iota^{-l}$, we obtain

$$\begin{aligned}
& |\check{\chi}_\iota(x) * \phi_{j,l,k}^{\alpha, \iota}(x)| = \left| \int_{\mathbb{R}^2} \chi_\iota(\xi) \hat{\phi}_{j,l,k}^{\alpha, \iota}(\xi) e^{2\pi i \xi^T x} d\xi \right| \\
&= \left| \int_{\mathbb{R}^2} 2^{-(2+\alpha)j/2} \chi_\iota(\xi) W_j(\xi) V_\iota \left(\xi^T A_{\alpha, \iota}^{-j} S_\iota^{-l} \right) e^{2\pi i \xi^T (x + A_{\alpha, \iota}^{-j} S_\iota^{-l} k)} d\xi \right| \\
&= \left| \int_{\mathbb{R}^2} 2^{(2+\alpha)j/2} \chi_\iota(\xi) W_j \left((S_\iota^l A_{\alpha, \iota}^j)^T \zeta \right) V_\iota(\zeta) e^{2\pi i \zeta^T (S_\iota^l A_{\alpha, \iota}^j x + k)} d\zeta \right|.
\end{aligned}$$

By a similar approach as in i) the decay of each shearlet element is then estimated by

$$|\check{\chi}_v(x) * \phi_{j,l,k}^{\alpha, v}(x)| \leq C_N \cdot 2^{(2+\alpha)j/2} \cdot \langle |2^{\alpha j} x_1 - k_1| \rangle^{-N} \langle |2^{2j} x_2 + l 2^{\alpha j} x_1 - k_2| \rangle^{-N},$$

$$|\check{\chi}_h(x) * \phi_{j,l,k}^{\alpha, h}(x)| \leq C_N \cdot 2^{(2+\alpha)j/2} \cdot \langle |2^{2j} x_1 + l 2^{\alpha j} x_2 - k_1| \rangle^{-N} \langle |2^{\alpha j} x_2 - k_2| \rangle^{-N}.$$

The same fact is true with the roles of χ_ι and γ_ι interchanged. It should be mentioned that here we use Lemma 4.2, ii) to estimate the constant C_N .

iii) By using i) and ii) the change of variables $(y_1, y_2) = 2^{2j}(x_1, x_2)$ we easily verify the claim. \square

Such decay estimates in Lemma 5.2 are particularly useful for estimating the cluster coherence introduced next as well as the cluster sparsity in Subsection 5.2.

Proposition 5.3. *Consider wavelet frame $\Psi = \{\psi_{j,k}\}_{(j,k)}$ and band limited α -shearlet type frame $\Phi_\alpha = \{\phi_{j,l,k}^{\alpha, \iota}\}_{(j,l,k,\alpha,\iota) \in \Delta} \cup \{\phi_k^0\}_{k \in \mathbb{Z}^2}$, we have*

$$\mu_c(\Lambda_{1j}, \Psi; \Phi_\alpha) \rightarrow 0, \quad j \rightarrow +\infty.$$

Proof. By definition, we have

$$\mu_c(\Lambda_{1j}, \Psi; \Phi_\alpha) = \max_{(\bar{j}, l, k, \alpha, \iota) \in \Delta} \sum_{(j', m) \in \Lambda_{1, j}} |\langle \psi_{j', m}, \check{\chi}_\iota(x) * \phi_{\bar{j}, l, k}^{\alpha, \iota} \rangle|.$$

Without loss of generality, we assume that the maximum is attained at $\check{\chi}_v(x) * \phi_{j, l', k'}^{\alpha, v}$. Cases $\iota = h, \bar{j} = \{j-1, j+1\}$ are done similarly. By Lemma 5.2, iii), there exist a constant $C > 0$ such that

$$\begin{aligned} \mu_c(\Lambda_{1j}, \Psi; \Phi_\alpha) &\leq \#\{(j, m) \in \Lambda_{1, j}\} \cdot C \cdot 2^{-(2-\alpha)j/2} \\ &\leq C \cdot 2^{2\epsilon j} \cdot 2^{-(2-\alpha)j/2} \\ &= C \cdot 2^{-(2-\alpha-4\epsilon)j/2} \xrightarrow{j \rightarrow +\infty} 0, \end{aligned}$$

where the last estimate is due to $2 - \alpha - 4\epsilon > 0$ by (37). This finishes the proof. \square

Proposition 5.4. *Consider wavelet frame $\Psi = \{\psi_{j, k}\}_{(j, k)}$ and band limited α -shearlet type frame $\Phi_\alpha = \{\phi_{j, l, k}^{\alpha, \iota}\}_{(j, l, k, \alpha, \iota) \in \Delta}$, we have*

$$\mu_c(\Lambda_{2j}, \Phi_\alpha; \Psi) \rightarrow 0, \quad j \rightarrow +\infty.$$

Proof. By definition, we have

$$\mu_c(\Lambda_{2j}, \Phi_\alpha; \Psi) = \max_{\bar{j} \in \mathbb{N}, m \in \mathbb{Z}^2} \sum_{(j', l, k, \alpha, v) \in \Lambda_{2, j}} |\langle \check{\chi}_\iota(x) * \phi_{j', l, k}^{\alpha, v}, \psi_{\bar{j}, m} \rangle|.$$

We assume that the maximum is attained at $\psi_{j, m'}$. By Lemma 5.2, i) and ii), we have

$$\begin{aligned} \mu_c(\Lambda_{2j}, \Phi_\alpha; \Psi) &\leq C_N 2^{(6+\alpha)j/2} \sum_{\substack{|l| \leq 1, |j' - j| \leq 1 \\ k \in \mathbb{Z}^2, |k_2 - lk_1| < 2^{\epsilon j'}}} \int_{\mathbb{R}^2} \langle |2^{2j} x_1 + m'_1| \rangle^{-N} \\ &\quad \langle |2^{2j} x_2 + m'_2| \rangle^{-N} \langle |2^{\alpha j} x_1 + k_1| \rangle^{-N} \langle |2^{2j} x_2 + l2^{\alpha j} x_1 + k_2| \rangle^{-N} dx. \end{aligned}$$

Without loss of generality, we consider only the case $j' = j$, the cases $j' = j-1, j+1$ follow similarly.

Indeed, by the change of variable $(y_1, y_2) = (2^{2j} x_1, 2^{2j} x_2)$, we obtain

$$\begin{aligned} \mu_c(\Lambda_{2j}, \Phi_\alpha; \Psi) &\leq C_N 2^{-(2-\alpha)j/2} \sum_{\substack{l \in \{-1, 0, 1\}, k \in \mathbb{Z}^2 \\ |k_2 - lk_1| < 2^{\epsilon j'}}} \int_{\mathbb{R}^2} \langle |y_1 + m'_1| \rangle^{-N} \langle |y_2 + m'_2| \rangle^{-N} \\ &\quad \cdot \langle |2^{-(2-\alpha)j} y_1 + k_1| \rangle^{-N} \langle |y_2 + l2^{\alpha j} x_1 + k_2| \rangle^{-N} dy. \end{aligned} \quad (43)$$

In addition, there exists a constant C' such that

$$\sum_{k \in \mathbb{Z}^2} \langle |2^{-(2-\alpha)j} y_1 + k_1| \rangle^{-N} \langle |y_2 + l2^{\alpha j} x_1 + k_2| \rangle^{-N} \leq C'. \quad (44)$$

Combining (43) with (44), we obtain

$$\begin{aligned} \mu_c(\Lambda_{2j}, \Phi_\alpha; \Psi) &\leq C'_N \cdot 2^{-(2-\alpha)j/2} \int_{\mathbb{R}^2} \langle |y_1 + m'_1| \rangle^{-N} \langle |y_2 + m'_2| \rangle^{-N} dy \\ &\leq C''_N \cdot 2^{-(2-\alpha)j/2} \xrightarrow{j \rightarrow +\infty} 0. \end{aligned} \quad (45)$$

This concludes the claim. \square

5.2. Sparse representation error.

Proposition 5.5. *For all $N = 1, 2, \dots$, we have $\delta_{1,j} = \circ(2^{-Nj})$.*

Proof. We remark that it is sufficient to consider $\mathcal{P}(x) = \frac{1}{|x|^\lambda}$, $\lambda \in (0, 2)$. The general case is then done by combining all single cases and triangle inequality.

We first observe that $\hat{\mathcal{P}}(\xi) = \frac{1}{|\xi|^{2-\lambda}}$. Thus,

$$\begin{aligned} \delta_{1,j} &= \sum_{(j',m) \notin \Lambda_{1,j}} \langle \psi_{j',m}, \mathcal{P}_j \rangle \\ &= \sum_{j' \geq 0, |m| > 2^{\epsilon j}} \int_{\mathbb{R}^2} 2^{-2j} W_{j'}(\xi) e^{2\pi i \xi^T \frac{m}{2^{2j}}} W_j(\xi) \frac{1}{|\xi|^{2-\lambda}} d\xi. \end{aligned}$$

Since $W_{j'}(\xi)W_j(\xi) = 0$ for $|j' - j| > 1$ due to their supports, then we can assume that $j' = j$. The other cases are estimated analogously.

By the change of variables $\eta = (\eta_1, \eta_2) = 2^{-2j}(\xi_1, \xi_2)$, we obtain

$$\delta_{1,j} \lesssim 2^{2(\lambda-1)j} \sum_{|m| > 2^{\epsilon j}} \int_{\mathbb{R}^2} \frac{1}{|\eta|^{2-\lambda}} W^2(\eta) e^{2\pi i \eta^T m} d\zeta. \quad (46)$$

Using integration by parts for $N = 1, 2, \dots$, with respect to ζ_1, ζ_2 , respectively, yields

$$\begin{aligned} \delta_{1,j} &\lesssim 2^{2(\lambda-1)j} \sum_{\substack{m_1, m_2 \neq 0, \\ |m| > 2^{\epsilon j}}} \int_{\mathbb{R}^2} |m_1|^{-N} |m_2|^{-N} \frac{\partial^{2N}}{\partial \zeta_1^N \partial \zeta_2^N} \left[\frac{1}{|\eta|^{2-\lambda}} W(\zeta) \right] e^{2\pi i \zeta^T m} d\zeta \\ &\leq C_N 2^{2(\lambda-1)j} \sum_{|m| > 2^{\epsilon j}} |m_1|^{-N} |m_2|^{-N} \\ &\leq C_N 2^{2(\lambda-1)j} \sum_{m_1 \in \mathbb{Z}} \sum_{|m_2| \geq 2^{\epsilon j/2}} |m_1|^{-N} |m_2|^{-N} \\ &\leq C_N 2^{2(\lambda-1)j} 2^{-(N-1)(\epsilon j/2)}, \end{aligned}$$

for any arbitrary large number $N \in \mathbb{N}_0$. Note that the boundary terms vanish due to the compact support of $W(\zeta)$. This concludes the claim. \square

Proposition 5.6. *We have $\delta_{2,j} = \circ(2^{-Nj})$, for $\forall N = 1, 2, \dots$*

Proof. By definition, we have

$$\begin{aligned} \delta_{2,j} &= \sum_{(j',l,k,\iota) \notin \Lambda_{2,j}} |\langle w\mathcal{L}_{j'}, \check{\chi}_\iota * \phi_{j',l,k}^{\alpha,\iota}(\cdot) \rangle| \\ &= \sum_{\substack{(j',l,k,h) \cup \\ \{\iota=v, |\iota| > 1\}}} |\langle \widehat{w\mathcal{L}}_{j'}, \hat{\chi}_\iota \hat{\phi}_{j',l,k}^{\alpha,h} \rangle| + \sum_{\substack{(j',l,k,v) \in \Delta \\ |\iota| \leq 1, |k_2 - lk_1| > 2^{\epsilon j}}} |\langle w\mathcal{L}_{j'}, \check{\chi}_\iota * \phi_{j',l,k}^{\alpha,v}(\cdot) \rangle| \\ &= I_1 + I_2, \end{aligned} \quad (47)$$

where

$$I_1 = \sum_{\substack{(j',l,k,h) \cup \\ \{\iota=v, |\iota| > 1\}}} |\langle \widehat{w\mathcal{L}}_{j'}, \hat{\chi}_\iota \hat{\phi}_{j',l,k}^{\alpha,h} \rangle|, \quad I_2 = \sum_{\substack{(j',l,k,v) \in \Delta \\ |\iota| \leq 1, |k_2 - lk_1| > 2^{\epsilon j}}} |\langle w\mathcal{L}_{j'}, \check{\chi}_\iota * \phi_{j',l,k}^{\alpha,v}(\cdot) \rangle|.$$

Since cases $j' = j - 1, j + 1$ are similar, so we only consider $j' = j$. Before starting with I_1 , we put

$$t^v = (t_1^v, t_2^v) := A_{\alpha,v}^{-j} S_v^{-l} k = (2^{-\alpha j} k_1, 2^{-2j} (k_2 - l k_1)), \quad (48)$$

$$t^h = (t_1^h, t_2^h) := A_{\alpha,h}^{-j} S_h^{-l} k = (2^{-2j} (k_1 - l k_2), 2^{-\alpha j} k_2). \quad (49)$$

We have

$$\begin{aligned} \left| \langle w \mathcal{L}_j, \check{\chi}_l * \phi_{j,l,k}^{\alpha,t} \rangle \right| &= \left| \langle \widehat{w \mathcal{L}}_j, \chi_l \hat{\phi}_{j,l,k}^{\alpha,t} \rangle \right| = \left| \int_{\mathbb{R}^2} \hat{w}(\xi_1) \chi_l(\xi) W_j(\xi) \overline{\hat{\phi}_{j,l,k}^{\alpha,t}(\xi)} \right| \\ &= \left| \int_{\mathbb{R}} e^{2\pi i t_2^v \xi_2} \int_{\mathbb{R}} \hat{w}(\xi_1) \chi_l(\xi) W_j(\xi) \hat{\phi}_{j,l,0}^{\alpha,t}(\xi) e^{2\pi i t_1^v \xi_1} d\xi_1 d\xi_2 \right| \\ &= \frac{1}{2\pi} \left| \int_{\mathbb{R}} e^{2\pi i t_2^v \xi_2} \int_{\mathbb{R}} \hat{w}(\xi_1) \Theta_{j,l}^t(\xi) e^{2\pi i t_1^v \xi_1} d\xi_1 d\xi_2 \right|, \end{aligned}$$

where $\Theta_{j,l}^t(\xi) := \chi_l(\xi) W_j(\xi) \hat{\phi}_{j,l,0}^{\alpha,t}(\xi)$.

Applying repeated integration by parts twice with respect to ξ_i , we have

$$\begin{aligned} \left| \langle w \mathcal{L}_j, \phi_{j,l,k}^{\alpha,t} \rangle \right| &= \frac{1}{2\pi} \left| \int_{\mathbb{R}} e^{2\pi i t_2^v \xi_2} \int_{\mathbb{R}} \frac{\partial^2}{\partial \xi_1^2} [\hat{w}(\xi_1) \Theta_{j,l}^t(\xi)] \frac{1}{(2\pi i t_1^v)^2} e^{2\pi i t_1^v \xi_1} d\xi_1 \right| d\xi_2 \\ &\leq \frac{1}{|t_1^v|^2} \left| \int_{\mathbb{R}} e^{2\pi i t_2^v \xi_2} \int_{\mathbb{R}} \frac{\partial^2}{\partial \xi_1^2} [\hat{w}(\xi_1) \Theta_{j,l}^t(\xi)] e^{2\pi i t_1^v \xi_1} d\xi_1 d\xi_2 \right| \\ &\leq |t_1^v|^{-2} \int_{\mathbb{R}} \int_{\mathbb{R}} \left| \frac{\partial^2}{\partial \xi_1^2} [\hat{w}(\xi_1) \Theta_{j,l}^t(\xi)] \right| d\xi_1 d\xi_2. \end{aligned} \quad (50)$$

Similarly, we obtain

$$\left| \langle w \mathcal{L}_j, \phi_{j,l,k}^{\alpha,t} \rangle \right| \leq |t_2^v|^{-2} \int_{\mathbb{R}} \int_{\mathbb{R}} \left| \frac{\partial^2}{\partial \xi_2^2} [\hat{w}(\xi_1) \Theta_{j,l}^t(\xi)] \right| d\xi_1 d\xi_2 \quad (51)$$

$$\left| \langle w \mathcal{L}_j, \phi_{j,l,k}^{\alpha,t} \rangle \right| \leq |t_1^v|^{-2} |t_2^v|^{-2} \int_{\mathbb{R}} \int_{\mathbb{R}} \left| \frac{\partial^4}{\partial \xi_1^2 \partial \xi_2^2} [\hat{w}(\xi_1) \Theta_{j,l}^t(\xi)] \right| d\xi_1 d\xi_2. \quad (52)$$

Therefore, we have

$$\begin{aligned} |t_1^v|^2 \left| \langle w \mathcal{L}_j, \phi_{j,l,k}^{\alpha,t} \rangle \right| &\stackrel{(50)}{\leq} \int_{\mathbb{R}} \int_{\mathbb{R}} \left| \frac{\partial^2}{\partial \xi_1^2} [\hat{w}(\xi_1) \Theta_{j,l}^t(\xi)] \right| d\xi_1 d\xi_2 \\ |t_2^v|^2 \left| \langle w \mathcal{L}_j, \phi_{j,l,k}^{\alpha,t} \rangle \right| &\stackrel{(51)}{\leq} \int_{\mathbb{R}} \int_{\mathbb{R}} \left| \frac{\partial^2}{\partial \xi_2^2} [\hat{w}(\xi_1) \Theta_{j,l}^t(\xi)] \right| d\xi_1 d\xi_2 \\ |t_1^v|^2 |t_2^v|^2 \left| \langle w \mathcal{L}_j, \phi_{j,l,k}^{\alpha,t} \rangle \right| &\stackrel{(52)}{\leq} \int_{\mathbb{R}} \int_{\mathbb{R}} \left| \frac{\partial^4}{\partial \xi_1^2 \partial \xi_2^2} [\hat{w}(\xi_1) \Theta_{j,l}^t(\xi)] \right| d\xi_1 d\xi_2. \end{aligned}$$

These imply

$$\begin{aligned} (1 + |t_1^v|^2 + |t_2^v|^2 + |t_1^v|^2 |t_2^v|^2) \left| \langle w \mathcal{L}_j, \phi_{j,l,k}^{\alpha,t} \rangle \right| &= \langle |t_1^v|^2 \rangle \langle |t_2^v|^2 \rangle \left| \langle w \mathcal{L}_j, \phi_{j,l,k}^{\alpha,t} \rangle \right| \\ &\leq \int_{\mathbb{R}^2} \left| \hat{w}(\xi_1) \Theta_{j,l}^t(\xi) \right| + \left| \frac{\partial^2}{\partial \xi_1^2} [\hat{w}(\xi_1) \Theta_{j,l}^t(\xi)] \right| + \left| \frac{\partial^2}{\partial \xi_2^2} [\hat{w}(\xi_1) \Theta_{j,l}^t(\xi)] \right| \\ &\quad + \left| \frac{\partial^4}{\partial \xi_1^2 \partial \xi_2^2} [\hat{w}(\xi_1) \Theta_{j,l}^t(\xi)] \right| d\xi = \int_{\mathbb{R}} \Gamma(\xi_2) d\xi_2, \end{aligned}$$

where $\Gamma(\xi_2) := \int_{\mathbb{R}} \left| \hat{w}(\xi_1) \Theta_{j,l}^t(\xi) \right| + \left| \frac{\partial^2}{\partial \xi_1^2} [\hat{w}(\xi_1) \Theta_{j,l}^t(\xi)] \right| + \left| \frac{\partial^2}{\partial \xi_2^2} [\hat{w}(\xi_1) \Theta_{j,l}^t(\xi)] \right| + \left| \frac{\partial^4}{\partial \xi_1^2 \partial \xi_2^2} [\hat{w}(\xi_1) \Theta_{j,l}^t(\xi)] \right| d\xi_1$.

Now we investigate the term Γ further. By the definition, we have $\hat{\psi}_{j,l,k}^{\alpha,\iota}$ has compact support in the trapezoidal regions by (24), (25). This implies that for any $\xi \in \text{supp } \Theta_{j,l}^\iota$, with $\iota = v$, or $\iota = h$, $|\iota| > 1$, there exist constants $C_1, C_2 > 0$ such that

$$\xi_1 \in I_{j,l} := [-C_2 l 2^{\alpha j}, -C_1 l 2^{\alpha j}] \cup [C_2 l 2^{\alpha j}, C_1 l 2^{\alpha j}].$$

Thus, we obtain the decay estimate of $\hat{w}^{(n)}(\xi_1)$, $\xi_1 \in I_{j,l}$, $n = 0, 1, 2$, by

$$|\hat{w}^{(n)}(\xi_1)| \leq C_N \langle |2^{\alpha j}| \rangle^{-N}, \quad \forall N \in \mathbb{N}_0. \quad (53)$$

By a direct computation, we also have $\Theta_{j,l}^\iota \leq C_n$, $n = 0, 1, 2$. Combining this with (53), we obtain $\int_{\mathbb{R}} \Gamma(\xi_2) d\xi_2 \leq C_N \langle |2^{\alpha j}| \rangle^{-N}$, $\forall N \in \mathbb{N}_0$. Thus,

$$\left| \langle w \mathcal{L}_j, \phi_{j,l,k}^{\alpha,\iota} \rangle \right| \leq C_N \langle |2^{\alpha j}| \rangle^{-N} \langle |t_1^\iota| \rangle^2 \langle |t_2^\iota| \rangle^2.$$

This implies

$$I_1 \leq C_N \langle |2^{\alpha j}| \rangle^{-N} \sum_{\substack{(j,l,k,h) \cup \\ \{\iota=v, |\iota|>1\}}} \langle |t_1^\iota| \rangle^{-2} \langle |t_2^\iota| \rangle^{-2}. \quad (54)$$

We have

$$\begin{aligned} \sum_{k_1, k_2 \in \mathbb{Z}} \langle |t_1^h| \rangle^{-2} \langle |t_2^h| \rangle^{-2} &= \sum_{k_1, k_2 \in \mathbb{Z}} \langle |2^{-2j}(k_1 - lk_2)| \rangle^{-2} \langle |2^{-\alpha j} k_2| \rangle^2 \\ &= \sum_{k_1, k_2 \in \mathbb{Z}} \langle |2^{-2j} k_1| \rangle^{-2} \langle |2^{-\alpha j} k_2| \rangle^{-2} \\ &\leq \int_{\mathbb{R}} \langle |2^{-2j} t_1| \rangle^{-2} dt_1 \int_{\mathbb{R}} \langle |2^{-\alpha j} t_2| \rangle^{-2} dt_2 \\ &\leq C_N 2^{(2+\alpha)2j}. \end{aligned} \quad (55)$$

Similarly, we obtain

$$\sum_{k_1, k_2 \in \mathbb{Z}} \langle |t_1^v| \rangle^{-2} \langle |t_2^v| \rangle^{-2}. \quad (56)$$

In addition, we have

$$|l| \leq \lceil 2 \cdot 2^{(2-\alpha)j} \rceil. \quad (57)$$

Combining (54), (55), (56), and (57) we obtain

$$I_1 \leq C_N \lceil 2 \cdot 2^{(2-\alpha)j} \rceil \langle |2^{\alpha j}| \rangle^{-N}. \quad (58)$$

We now turn our attention to the term I_2 . We have

$$\begin{aligned} |w \mathcal{L}_j(x)| &= \left| \int_{\mathbb{R}} w(y_1) F_j(x - (y_1, 0)) dy_1 \right| \\ &\leq \left| \int_{\mathbb{R}} |w(y_1)| \cdot 2^{4j} |\check{W}(2^{2j}(x - (y_1, 0)))| dy_1 \right| \\ &\leq \int_{\mathbb{R}} |w(y_1)| \cdot C_N 2^{4j} \langle |2^{2j} x_2| \rangle^{-N} \langle |2^{2j}(y_1 - x_1)| \rangle^{-N} dy_1 \\ &= C_N 2^{4j} \langle |2^{2j} x_2| \rangle^{-N} [|w * \langle 2^{2j}[\cdot] \rangle^{-N}](x_1) \\ &= C_N 2^{4j} \langle |2^{2j} x_2| \rangle^{-N} \tau_{N,j}(x_1), \end{aligned} \quad (59)$$

where $\tau_{N,j}(x_1) := [w * \langle 2^{2j}[\cdot] \rangle^{-N}](x_1)$, $x = (x_1, x_2) \in \mathbb{R}^2$. Combining (59) with Lemma 5.2, we obtain

$$\begin{aligned}
I_2 &\leq C_N \sum_{\substack{l \in \{-1,0,1\}, \\ |k_2 - lk_1| > 2^{\epsilon j}}} \int_{\mathbb{R}^2} 2^{4j} \langle |2^{2j}x_2| \rangle^{-N} \tau_{N,j}(x_1) 2^{(\alpha+2)j/2} \langle |2^{\alpha j}x_1 - k_1| \rangle^{-N} \\
&\quad \cdot \langle |l2^{\alpha j}x_1 + 2^{2j}x_2 - k_2| \rangle^{-N} dx \\
&= C_N 2^{(6-\alpha)j/2} \sum_{\substack{l \in \{-1,0,1\}, \\ |k_2 - lk_1| > 2^{\epsilon j}}} \int_{\mathbb{R}^2} \langle |x_2| \rangle^{-N} \tau_{N,j}(2^{-\alpha j}(x_1 + k_1)) \langle |x_1| \rangle^{-N} \\
&\quad \cdot \langle |lx_1 + lk_1 + x_2 - k_2| \rangle^{-N} dx \\
&\leq C_N 2^{(6-\alpha)j/2} \sum_{\substack{l \in \{-1,0,1\}, \\ |k_2 - lk_1| > 2^{\epsilon j}}} \int_{\mathbb{R}} \tau_{N,j}(2^{-\alpha j}(x_1 + k_1)) \langle |x_1| \rangle^{-N} \cdot \\
&\quad \langle |lx_1 + lk_1 - k_2| \rangle^{-N} dx_1.
\end{aligned}$$

The last equality comes from the fact that there exists a constant $C_N > 0$ satisfying

$$\int_{\mathbb{R}} \langle |x| \rangle^{-N} \langle |x + a| \rangle^{-N} dx \leq C_N \langle |a| \rangle^{-N}, \quad \forall a \in \mathbb{R}. \quad (60)$$

In addition, we have

$$\begin{aligned}
\sum_{k_1 \in \mathbb{Z}} \tau_{N,j}(2^{-\alpha j}(x_1 + k_1)) &= \sum_{k_1 \in \mathbb{Z}} \int_{\mathbb{R}} |w(y_1)| \langle |2^{2j}(y_1 - 2^{-\alpha j}(x_1 + k_1))| \rangle^{-N} dy_1 \\
&= \sum_{k_1 \in \mathbb{Z}} \int_{\mathbb{R}} |w(y_1)| \langle |2^{(2-\alpha)j}(k_1 + x_1 - 2^{\alpha j}y_1)| \rangle^{-N} dy_1 \\
&\stackrel{\alpha \leq 2}{\leq} \int_{\mathbb{R}} |w(y_1)| \left(\sum_{k_1 \in \mathbb{Z}} \langle |k_1 + x_1 - 2^{\alpha j}y_1| \rangle^{-N} \right) dy_1 \\
&\leq C \int_{\mathbb{R}} |w(y_1)| \left(\int_{\mathbb{R}} \langle |t + x_1 - 2^{\alpha j}y_1| \rangle^{-N} dt \right) dy_1 \\
&= C \int_{\mathbb{R}} |w(y_1)| \left(\int_{\mathbb{R}} \langle |t| \rangle^{-N} dt \right) dy_1 \leq C_N.
\end{aligned}$$

Therefore, we obtain

$$\begin{aligned}
I_2 &\leq C_N 2^{(6-\alpha)j/2} \sum_{\substack{l \in \{-1,0,1\}, k_2 \in \mathbb{Z} \\ |k_2| > 2^{\epsilon j}}} \int_{\mathbb{R}} \langle |x_1| \rangle^{-N} \langle |lx_1 + k_2| \rangle^{-N} dx_1 \\
&\stackrel{\text{By (60)}}{\leq} C_N 2^{(-\alpha)j/2} \sum_{k_2 \in \mathbb{Z}, |k_2| > 2^{\epsilon j}} \langle |k_2| \rangle^{-N} dx_1 \\
&\leq C_N 2^{(6-\alpha)j/2} \int_{t > 2^{\epsilon j}} \langle |t| \rangle^{-N} \leq C_N 2^{(6-\alpha)j/2} 2^{-(N-1)\epsilon j}, \quad \forall N \in \mathbb{N}_0. \quad (61)
\end{aligned}$$

Finally, combining (58), (61) with (47) concludes the claim. \square

5.3. Proof of main theorem. Now we are well prepared to provide a proof for Theorem 5.1.

Proof. Applying Theorem 3.6 and Propositions 5.3, 5.4, 5.5, 5.6, we obtain

$$\|\mathcal{P}_j^* - \mathcal{P}_j\|_2 + \|\mathcal{C}_j^* - w\mathcal{L}_j\|_2 = o(2^{-Nj}) \rightarrow 0, \quad j \rightarrow \infty.$$

We are left to estimate the lower bounds of $\|\mathcal{P}_j\|_2$ and $\|w\mathcal{L}_j\|_2$. By Plancherel's theorem and $\widehat{\left(\frac{1}{|x|^{\lambda_i}}\right)} = \frac{1}{|\xi|^{2-\lambda_i}}$, we have

$$\|F_j * \frac{1}{|x - x_i|^{\lambda_i}}\|_2 = \int_{\mathcal{A}_j} W_j(\xi) \frac{1}{|\xi|^{2(2-\lambda_i)}} d\xi \quad (62)$$

$$\gtrsim c \cdot 2^{(2-2\lambda_i)2j}. \quad (63)$$

Thus,

$$\|\mathcal{P}_j\|_2 \gtrsim \sum_{i=1}^K c_i 2^{(2-2\lambda_i)2j}.$$

In addition,

$$\begin{aligned} \|w\mathcal{L}_j\|_2 &= \int_{\mathcal{A}_j} w(\xi_1) W_j(\xi) d\xi \\ &\gtrsim C 2^{2j}. \end{aligned}$$

This finishes the proof. \square

6. CONCLUSIONS AND FUTURE DIRECTIONS

Our main results, Theorem 3.6, Theorem 5.1, show that the ground truth components are under reasonable assumptions perfectly recovered at fine scales by Algorithm 1. For a practical multiscale approach, we first apply the proposed algorithm for each filtered subband image at each scale and then recover the whole signal using the reconstruction formula (39). These theorems might be extended in several ways. Here we focus on separating pointlike and curvelike structures, but our approach holds for other types of geometric components as well as any frames providing sparse representation. We can therefore use wavelet, curvelet, Gabor frames, as well as other sparsifying systems for representing components to be separated. A similar asymptotic separation result can be achieved by using such sparsifying systems if they provide sufficient small cluster sparsity and cluster coherence.

In our future work, we will extend our theory to the case of multiple-component separation. Our results might also be applicable to images that are corrupted by noise. In addition, other algorithms such as thresholding methods[26] or l_1 minimization with an additional regularization term [18] which is effective for image separation in empirical work can be considered in our future study.

REFERENCES

- [1] S. Mallat, *A Wavelet Tour of Signal Processing*, CA, San Diego:Academic, 1998.
- [2] D. L. Donoho and G. Kutyniok, *Geometric Separation using a Wavelet-Shearlet Dictionary*. In L. Fesquet and B. Torr sani, editors, Proceedings of 8th International Conference on Sampling Theory and Applications (SampTA), Marseille, 2009.
- [3] O. Christensen, *An introduction to frames and Riesz bases*, Applied and Numerical Harmonic Analysis, Birkh user Boston Inc., Boston, MA, 2003. MR 1946982(2003k:42001).

- [4] E. Candes, *Ridgelets: theory and applications*, Ph.D. thesis, Department of Statistics, Stanford University, 1998.
- [5] E. Candes, D. Donoho, *Curvelets, a surprisingly effective nonadaptive representation for objects with edges*, in: *Curves and Surfaces*, Vanderbilt University Press, 1999.
- [6] K. Guo, D. Labate, *Optimally sparse multidimensional representation using shearlets*, *SIAM J. Math. Anal.*, 39 (2007), pp. 298-318
- [7] VT.Do, R. Levie, G. Kutyniok, *Analysis of simultaneous inpainting and geometric separation based on sparse decomposition*, *Analysis and Applications*, doi: 10.1142/S021953052150007X.
- [8] V.M. Patel, G. Easley, D. M. Healy, *Shearlet-based deconvolution*, *IEEE Trans. Image Process.* 18(12) (2009), 2673-2685
- [9] P. Kittipoom, G. Kutyniok, W.-Q. Lim, *Construction of compactly supported shearlet frames*, *Constructive Approximation* 35 (2012) 2962–3017.
- [10] E.J. King, G. Kutyniok, and X. Zhuang, *Analysis of data separation and recovery problems using clustered sparsity*, *Proc. SPIE, Wavelets and Sparsity XIV*, vol. 8138, (2011), pp. 813818-813818-11.
- [11] K. Guo, G. Kutyniok, and D. Labate, *Sparse multidimensional representations using anisotropic dilation and shear operators*, *Wavelets and Splines (Athens, GA, 2005)*, Nashboro Press.14 (2006), 189-201.
- [12] D.L. Donoho, G. Kutyniok, *Microlocal analysis of the geometric separation problem*, *Comm. Pure Appl. Math.* 66 (2013), no. 1, 1-47. MR 2994548.
- [13] G. Kutyniok and W.-Q. Lim, *Compactly supported shearlets are optimally sparse*, *J. Approx. Theory*, 163:1564–1589, 2010.
- [14] E. LePennec, S. Mallat, *Sparse geometric image representation with bandelets*, *IEEE Transactions on Image Processing* 14 (2005) 423–438.
- [15] E.J.King, G. Kutyniok, X. Zhuang, *Ananalysis of Inpainting via clustered sparsity and microlocal analysis*, *J.Math. Imaging Vis.* 48 (2014), 205-234.
- [16] R.J. Duffin, A.C. Schaeffer, *A class of nonharmonic Fourier series*, *Trans. Amer. Math. Soc.*, 72 (1952), pp. 341-366.
- [17] K. Guo and D. Labate, *The construction of smooth Parseval frames of shearlets*, *Math. Model. Nat. Phenom.*, 8 (2013), pp. 82–105.
- [18] G. Kutyniok and W.-Q Lim, *Image separation using wavelets and shearlets*. In *Curves and Surfaces (Avignon, France, 2010)*, *Lecture Notes in Computer Science* 6920, Springer, 2012.
- [19] P. Grohs, *Bandlimited shearlet frames with nice duals*, *J. Comput. Appl. Math.* 243, 139–151 (2013).
- [20] P.G. Casazza, *The art of frame theory*, *Taiwanese J. Math.*, 4 (2000), pp. 129-202
- [21] G. Kutyniok, *Clustered sparsity and separation of cartoon and texture*, *SIAM J. Imaging Sci.* 6 (2013), 848-874.
- [22] G. Kutyniok and W.-Q Lim, *Dualizable shearlet frames and sparse approximation*, *Constr. Approx.*, 44 (2016), pp. 53–86.
- [23] G. Kutyniok and D. Labate, *Introduction to shearlets*, in *Shearlets: Multiscale Analysis for Multivariate Data*, Cambridge, MA, USA:Birkhäuser, pp. 1-38, 2012.
- [24] F. G. Meyer, A. Averbuch, and R. R. Coifman, *Multi-layered Image Representation: Application to Image Compression*, *IEEE Trans. on Image Processing* 11(9) (2002), 1072–1080.
- [25] M. Do, M. Vetterli, *The contourlet transform: an efficient directional multiresolution image representation*, *IEEE Transactions on Image Processing* 14 (2005) 2091–2106.
- [26] Kutyniok, G, *Geometric separation by single-pass alternating thresholding*. *Appl. Comput. Harmon. Anal.* 36, 23–50 (2014).
- [27] D. Donoho, *Compressed sensing*, *IEEE Trans. Inform. Theory*, vol. 52, no. 4, pp. 1289-1306, Apr. 2006.
- [28] E. Candès, J. Romberg and T. Tao, *Stable signal recovery from incomplete and inaccurate measurements*, *Comm. Pure Appl. Math.*, vol. 59, no. 8, pp. 1207-1223, Aug. 2006.
- [29] J.-L. Starck, M. Elad and D. L. Donoho, *Image decomposition: Separation of texture from piecewise smooth content*, *SPIE Meeting*, 2003-Aug.
- [30] Guo, Kanghui and Labate, Demetrio and Ayllon, Jose, *Image inpainting using sparse multi-scale representations: image recovery performance guarantees*. *Appl. Comput. Harmon. Anal.*, (2020).

- [31] J. Bobin, J. Starck and R. Ottensamer, *Compressed Sensing in Astronomy*, in IEEE Journal of Selected Topics in Signal Processing, vol. 2, no. 5, pp. 718-726, Oct. 2008.
- [32] D. L. Donoho, M. Vetterli, R. DeVore, and I. Daubechies, *Data compression and harmonic analysis*, IEEE Trans. Info. Theory 44 (1998), 2435–2476.
- [33] E. Candès, J. Romberg, and T. Tao. *Robust uncertainty principles: Exact signal reconstruction from highly incomplete frequency information*, IEEE Transactions on Information Theory, vol. 52, pp. 489–509, 2006.
- [34] M. Rostami, O. Michailovich and Z. Wang, *Image Deblurring Using Derivative Compressed Sensing for Optical Imaging Application*, in IEEE Transactions on Image Processing, vol. 21, no. 7, pp. 3139-3149, July 2012.
- [35] G. Kutyniok and D. Labate, *Resolution of the wavefront set using continuous shearlets*, Trans. Amer. Math. Soc., vol. 361, pp. 2719-2754, 2009.
- [36] M. Genzel, G. Kutyniok, *Asymptotic Analysis of Inpainting via Universal Shearlet Systems*, SIAM J. Imaging Sci. 7.4 (2014), 2301-2339.
- [37] M. Elad, J. L. Starck, P. Querre, and D. L. Donoho, *Simultaneous cartoon and texture image inpainting using morphological component analysis (MCA)*, Appl. Comput. Harmon. Anal.19(3) (2005), 340–358.
- [38] D. L. Donoho, M. Vetterli, R. DeVore, and I. Daubechies, *Data compression and harmonic analysis*, IEEE Trans. Info. Theory 44 (1998), 2435–2476.
- [39] S. Keiper, *A flexible shearlet transform – sparse approximation and dictionary learning*. Bachelor's thesis, TU Berlin, Germany, 2012.
- [40] G. Kutyniok, J. Lemvig, and W.-Q Lim, *Optimally sparse approximations of 3D functions by compactly supported shearlet frames*. SIAM J. Math. Anal., 44(4):2962–3017, 2012.
- [41] J. Bobin, J.-L. Starck, J. M. Fadili, Y. Moudden, and D. L. Donoho, *Morphological component analysis: an adaptive thresholding strategy*, IEEE Trans. Image Process. 16(11), pp. 2675–2681, 2007.
- [42] J.-L. Starck, M. Elad, and D. L. Donoho, *Image decomposition via the combination of sparse representations and a variational approach*, IEEE Trans. Image Process. 14(10), pp. 1570–1582, 2005.