

THE GRAPHS WITH A SYMMETRICAL EULER CYCLE

JIYONG CHEN, CAI HENG LI, CHERYL E. PRAEGER, AND SHU-JIAO SONG

ABSTRACT.

Dedicated to our friend and colleague Marston Conder on the occasion of his 65th birthday.

The edges surrounding a face of a map \mathcal{M} form a cycle C , called the boundary cycle of the face, and C is often not a simple cycle. If the map \mathcal{M} is arc-transitive, then there is a cyclic subgroup of automorphisms of \mathcal{M} which leaves C invariant and is bi-regular on the edges of the induced subgraph $[C]$; that is to say, C is a symmetrical Euler cycle of $[C]$. In this paper we determine the family of graphs (which may have multiple edges) whose edge-set can be sequenced to form a symmetrical Euler cycle. We first classify all graphs and which have a cyclic subgroup of automorphisms acting bi-regularly on edges. We then apply this classification to obtain the graphs possessing a symmetrical Euler cycle, and therefore are the (only) candidates for the induced subgraph of the boundary cycle of a face in an arc-transitive map.

1. INTRODUCTION

The graphs studied in this paper are finite, undirected, without loops, but may have multiple edges. Thus a graph $\Gamma = (V, E, \mathbf{I})$ consists of finite sets V of vertices, and E of edges, together with an incidence relation $\mathbf{I} \subseteq V \times E$ such that each edge e is incident with exactly two distinct vertices. We often suppress \mathbf{I} in the notation and write simply $\Gamma = (V, E)$. An edge e of Γ incident with the two vertices α and β is sometimes denoted by $[\alpha, e, \beta]$. Many graphs of this type admit natural embeddings as maps into closed surfaces: perhaps the simplest being the graph $\mathbf{K}_2^{(\lambda)}$ with exactly two vertices $V = \{\alpha, \beta\}$ and λ edges forming $E = \{[\alpha, e_i, \beta] \mid 1 \leq i \leq \lambda\}$, and embedded into a sphere with α, β at the poles, and the edges e_i arranged as λ lines of ‘longitude’ joining the two poles.

Motivating our investigation was our wish to study embeddings of graphs from this family as arc-transitive maps in surfaces. If such a map has at least two faces then the edge-sequence C obtained by moving around the boundary of a face forms a ‘cycle’, as defined in (1). We show in Lemma 3.2 that this cycle is a ‘symmetrical Euler cycle’ for the induced subgraph $[C]$: this is a cycle which admits a large subgroup of the corresponding dihedral group acting with at most two orbits on edges, see Subsection 1.2 and Section 3 for more details. The most natural example for the cycle C is the sequence obtained by traversing the edges around a simple n -cycle several times, say λ times, and we call the induced subgraph $[C]$ in this example $\mathbf{C}_n^{(\lambda)}$, see Section 3. Maps for which all boundary cycles are of this form with $\lambda = 1$ (simple cycles) have been studied in [6, 7, 9]. On the

Date: November 5, 2021.

2020 MR Subject Classification: 20B25, 05C25, 05C35.

Key words: edge-transitive graphs, graphs with multiple edges, graph embeddings, arc-transitive maps.

This work was partially supported by Australian Research Council Discovery project DP160102323, and NSFC projects nos. 11771200, 11931005, 61771019, and NSFS no. ZR2020MA044.

Corresponding author: Cheryl E. Praeger.

other hand, quite different subgraphs $[C]$ have been identified for maps with a single face in [2, 8]. The problem, which we address in the paper, is to determine the kinds of subgraphs $[C]$ that arise, induced by symmetrical Euler cycles C , and to describe the possible groups induced on these cycles by the subgroup of automorphisms leaving $[C]$ invariant.

Note that the subgraph induced by the edges of a boundary cycle of a map is connected, and for an arc-transitive map, the group induced on the cycle contains a cyclic subgroup having at most two edge-orbits which acts faithfully on each of these edge-orbits (Lemma 3.2). In our first main result, Theorem 1.1, we broaden the scope of this study slightly, and classify all connected graphs admitting a cyclic group with at most two edge-orbits and acting faithfully on each of its edge-orbits. We find a dozen infinite families of examples. Then, in Theorem 1.2, we show that only six of these families contain graphs for which the edge set can be sequenced into a cycle preserved by a cyclic group with at most two edge-orbits (of equal size). To assist with our analysis we develop, in Section 5, the theory of coset graphs which may have multiple edges and which admit an edge-transitive group with two vertex-orbits.

1.1. Graphs admitting cyclic edge regular or bi-regular groups. A graph $\Gamma = (V, E)$ is a *simple graph* if, for all distinct $\alpha, \beta \in V$, the number of edges incident with both α and β is 0 or 1. Given a graph $\Gamma = (V, E)$ and a positive integer λ , the λ -*extender* of Γ is the graph $\Gamma^{(\lambda)}$ with vertex set V such that each edge $[\alpha, e, \beta]$ of Γ is replaced by λ edges $[\alpha, e_i, \beta]$ ($1 \leq i \leq \lambda$) of $\Gamma^{(\lambda)}$. If Γ is simple, then Γ is said to be the *base graph* of $\Gamma^{(\lambda)}$; in this case if α, β are adjacent in Γ , that is, if there exists an edge $[\alpha, e, \beta]$ in Γ , then there are exactly λ edges of $\Gamma^{(\lambda)}$ incident with α and β , and we say that Γ has *edge-multiplicity* λ . For each edge $[\alpha, e, \beta]$, we have $[\alpha, e, \beta] = [\beta, e, \alpha]$ and the edge e corresponds to two arcs (α, e, β) and (β, e, α) .

Let a group G act on a set Ω . Then G is called *transitive* or *bi-transitive* if G has a single orbit or exactly two orbits in Ω , respectively. Further, if G is finite, then G is said to be *regular* or *bi-regular* on Ω if the permutation group G^Ω induced by G on Ω is transitive and $|G^\Omega| = |\Omega|$, or G^Ω is bi-transitive and $|G^\Omega| = \frac{1}{2}|\Omega|$, respectively; in other words, G^Ω has at most two orbits in Ω and is faithful and regular on each.

An automorphism of a graph $\Gamma = (V, E, \mathbf{I})$ is a permutation of $V \cup E$ which preserves V , E and the incidence relation \mathbf{I} . The set of automorphisms forms the automorphism group $\text{Aut}\Gamma$. Usually $\text{Aut}\Gamma$ acts faithfully on E , see Lemma 2.1 for details: the unique exceptions among connected graphs are the graphs $\mathbf{K}_2^{(\lambda)}$ mentioned above. Our first result Theorem 1.1 presents a classification of connected graphs admitting a cyclic subgroup of automorphisms that is regular or bi-regular on edges. The exceptional graphs $\mathbf{K}_2^{(\lambda)}$ are treated separately in detail in Proposition 2.2. The families of examples, apart from $\mathbf{K}_2^{(\lambda)}$, are defined in Section 4. Note that for graphs $\Gamma = (V, E)$ with an edge partition $E = E_1 \cup E_2$, we sometimes write $\Gamma = [E_1] + [E_2]$ to give a rough description of the graph structure, even though this notation does not uniquely define the graph in general, see Subsection 2.1. We give a precise description in Section 4 of all the graphs in the tables for Theorem 1.1.

Theorem 1.1. *Let $\Gamma = (V, E)$ be a connected graph with $|V| \geq 3$ such that a cyclic subgroup $G \leq \text{Aut}\Gamma$ is regular or bi-regular on E , and has N_V orbits on V . Then $\Gamma = \Gamma_0^{(\lambda)}$ and $|G| = \lambda N$, for some λ, N , and either*

- (I) *G is regular on E and Γ_0, N, N_V are as in one of the lines of Table 1, or*
- (II) *G is bi-regular on E and Γ_0, N are as in one of the lines of Table 2 if $N_V = 1$, and Γ_0, N, N_V are as in one of the lines of Table 3 if $N_V \geq 2$. In particular $N_V \leq 3$.*

Γ_0	N	N_V	Conditions	Reference
\mathbf{C}_n	n	1	$n \geq 3$	Lemma 4.2
$\mathbf{K}_{s,t}$	st	2	$\gcd(s, t) = 1, st > 1$	Definition 4.8, Lemma 4.9

TABLE 1. Table for Theorem 1.1 with G regular on E

Γ_0	N	Conditions	Reference
$\mathbf{C}_n^{(2)}$	n	$n \geq 3$	Lemma 4.2
$\mathbf{C}_{2n} + n\mathbf{K}_2^{(2)}$	$2n$	$n \geq 2$	Corollary 4.5(a)
$2\mathbf{C}_n + n\mathbf{K}_2^{(2)}$	$2n$	$n \geq 3$ odd	Corollary 4.5(b)
$\text{Circ}(n, S)$	n	$n \geq 5, S = \{a, -a, b, -b\},$ $ S = 4, \gcd(n, a, b) = 1$	Definition 4.3

TABLE 2. Table for Theorem 1.1 with G bi-regular on E and transitive on V

Γ_0	N	N_V	Conditions	Reference
$\mathbf{C}_n =$ $\frac{n}{2}\mathbf{K}_2 + \frac{n}{2}\mathbf{K}_2$	n	2	$n \geq 4$ even	Lemma 4.2
$\mathbf{K}_{s,t}^{(2)}$	st	2	$\gcd(s, t) = 1, st > 1$	Lemma 4.9
$\mathbf{C}_{2r}[s\mathbf{K}_1, t\mathbf{K}_1]$	rst	2	$r \geq 2, \gcd(s, t) = 1, st > 1$	Lemma 4.7
$r\mathbf{K}_2^{(2t)} + \mathbf{K}_{2r,t}$	$2rt$	2	$rt \geq 1, \gcd(2r, t) = 1$	Lemma 4.11
$r\mathbf{K}_2^{(2t)} + 2\mathbf{K}_{r,t}$	$2rt$	2	r odd, $rt \geq 1, \gcd(r, t) = 1$	Lemma 4.13
$r\mathbf{C}_n^{(t)} + \mathbf{K}_{nr,t}$	nrt	2	$n \geq 3, rt \geq 1, \gcd(nr, t) = 1$	Lemma 4.11
$r\mathbf{C}_{su}^{(t)} + u\mathbf{K}_{sr,t}$	$srut$	2	$su \geq 3, u \geq 2, \gcd(r, u) = 1$ and $\gcd(sr, t) = 1$	Lemma 4.13
$r\mathbf{K}_{sr',ut'}^{(t)}$ $r'\mathbf{K}_{sr,ut}^{(t')}$	$rr'stt'u$	3	$\gcd(r, r') = \gcd(t, t') = 1$ and $\gcd(sr, ut) = \gcd(sr', ut') = 1$	Lemma 4.16

TABLE 3. Table for Theorem 1.1 with G bi-regular on E and intransitive on V

1.2. **Cycles in graphs and boundary cycles of maps.** A *cycle of length ℓ* in a graph $\Gamma = (V, E)$, sometimes called an ℓ -*cycle*, is a sequence

$$(1) \quad C = (e_1, e_2, \dots, e_\ell)$$

of ℓ pairwise distinct edges each of the form $[\alpha_{i-1}, e_i, \alpha_i]$, for $1 \leq i \leq \ell$, and we read the subscripts modulo ℓ so that, in particular, $\alpha_\ell = \alpha_0$. The *edge induced subgraph* $[C]$ of a cycle C is the graph with vertex set $V(C) := \{\alpha_i \mid 1 \leq i \leq \ell\}$, edge set $E(C) := \{e_i \mid 1 \leq i \leq \ell\}$, and incidence as in Γ . We call C an *Euler cycle* of Γ if $E(C) = E$, that is, the cycle ‘passes through each edge of Γ exactly once’. If Γ possesses an Euler cycle then, in particular, Γ is connected. Further, if C as in (1) is an Euler cycle of Γ , then since each edge of E occurs exactly once in C , and since whenever a vertex $\alpha = \alpha_i$ then both e_i and e_{i+1} are incident with α , it follows that *for each vertex $\alpha \in V$, the number of edges (of C , and hence of Γ) incident with α is even.*

Γ	Conditions for C to exist	$H(C)$	Reference
$\mathbf{C}_n^{(\lambda)}$	all $n \geq 3, \lambda \geq 1$	$H(C) = D(C)$	Lemma 7.1(a)
$\mathbf{K}_{s,t}^{(\lambda)}$	$st > 1, \gcd(s, t) = 1, \lambda$ even	$H(C) = \langle \varphi^2, \varphi\tau \rangle$	Lemma 7.1(b)
$(\mathbf{C}_{2n} + n\mathbf{K}_2^{(2)})^{(\lambda)}$	$n \geq 2, n$ even, $\lambda \geq 1$	$H(C) = \langle \varphi^2, \varphi\tau \rangle$	Lemma 7.3(a)
$(2\mathbf{C}_n + n\mathbf{K}_2^{(2)})^{(\lambda)}$	$n \geq 3, n$ odd, $\lambda \geq 1$	$H(C) = \langle \varphi^2, \varphi\tau \rangle$	Lemma 7.3(b)
$(\mathbf{C}_{2r}[s\mathbf{K}_1, t\mathbf{K}_1])^{(\lambda)}$	$r \geq 2, st > 1, \gcd(s, t) = 1, \lambda \geq 1$	$H(C) = \langle \varphi^2, \tau \rangle$	Lemma 7.6
$(\text{Circ}(n, S))^{(\lambda)}$	$n \geq 5, S = \{a, -a, b, -b\},$ $ S = 4, \gcd(n, a, b) = 1, \lambda \geq 1$	$H(C) \geq \langle \varphi^2 \rangle$	Lemma 7.3(c)

TABLE 4. Table for Theorem 1.2 with C a symmetrical Euler cycle for Γ

For any cycle C , the following bijections on $E(C)$ form a dihedral group of order 2ℓ :

$$(2) \quad \varphi : e_i \rightarrow e_{i+1} \quad \text{and} \quad \tau : e_i \rightarrow e_{\ell+1-i} \quad (\text{for each } i, \text{ reading subscripts modulo } \ell).$$

The reflection $C\tau = (e_\ell, e_{\ell-1}, \dots, e_1)$, and each shift $C\varphi^i = (e_{i+1}, \dots, e_\ell, e_1, \dots, e_i)$ are also ℓ -cycles of Γ , and

$$(3) \quad D(C) := \langle \varphi, \tau \rangle = \langle \varphi, \tau \mid \varphi^\ell = \tau^2 = 1, \varphi^\tau = \varphi^{-1} \rangle \cong D_{2\ell}$$

is the subgroup of all permutations of $E(C)$ which preserve the edge-sequencing of C , up to rotations and reflections. Thus the subgroup of $\text{Aut}\Gamma$ leaving the cycle C invariant induces on $[C]$ a subgroup $H(C)$ of $\text{Aut}[C]$ contained in $D(C)$. If this subgroup contains φ^2 , that is to say, if there is an element $\sigma \in \text{Aut}(\Gamma)$ such that $\sigma|_{[C]} = \varphi^2$, then we say that C is *symmetrical in Γ* . In particular, for an Euler cycle C of a graph $\Gamma = (V, E)$, C is symmetrical if and only if $\text{Aut}\Gamma$ contains a cyclic subgroup which preserves C and is regular or bi-regular on E . For future reference, we note the definitions of the elements φ^2 and $\varphi\tau$ of $D(C)$:

$$(4) \quad \varphi^2 : e_i \rightarrow e_{i+2} \quad \text{and} \quad \varphi\tau : e_i \rightarrow e_{\ell-i} \quad (\text{for each } i, \text{ reading subscripts modulo } \ell).$$

For the exceptional graphs $\mathbf{K}_2^{(\lambda)}$, we show in Proposition 2.2 that there is a symmetrical Euler cycle if and only if λ is even. For all other (connected) graphs we apply Theorem 1.1 to determine whether or not they have a symmetrical Euler cycle.

Theorem 1.2. *Let $\Gamma = (V, E)$ be a graph with $|V| \geq 3$ which has a symmetrical Euler cycle C , and suppose that the subgroup of $\text{Aut}\Gamma$ which preserves C induces the subgroup $H(C)$ of $D(C)$, as in (3).*

- (a) *Then $(\Gamma, H(C))$ are as in one of the lines of Table 4.*
- (b) *Conversely, if Γ is one of the graphs in lines 1 – 5 of Table 4, then Γ has a symmetrical Euler cycle C with the given $H(C)$; and also if Γ is as in line 6 of Table 4 with at least one of $\gcd(n, a+b) = 1$ or $\gcd(n, a-b) = 1$, then Γ has a symmetrical Euler cycle.*

As we discuss in Remark 7.5, if $\Gamma = \Gamma_0^{(\lambda)}$ with $\Gamma_0 = \text{Circ}(n, S)$ as in line 6 of Table 4, and if Γ_0 is a *normal Cayley graph* (that is the translation subgroup \mathbb{Z}_n is normal in $\text{Aut}\Gamma_0$), then the condition ' $\gcd(n, a+b) = 1$ or $\gcd(n, a-b) = 1$ ' is necessary and sufficient for existence of a symmetrical Euler cycle C . A complete analysis of these graphs would need a better understanding of any non-normal, edge-transitive, Cayley graphs in this family.

The principle motivation for our work was the study of boundary cycles of faces of arc-transitive maps. The link between arc-transitive maps and symmetrical Euler cycles is made explicit in Lemma 3.2. A natural problem which we plan to explore in further work is to understand which of these graphs from Theorem 1.2 actually arise in arc-transitive maps.

Problem 1.3. *Determine which of the graphs in Table 4 arise as the induced subgraph of the boundary cycle of a face in an arc-transitive map.*

We were able to find a partial answer in our study of vertex-rotary maps, that is, arc-transitive maps for which a vertex-stabiliser is cyclic and regular on the edges incident with it. We prove in [4, Theorem 1.7] that each face boundary cycle C for a vertex-rotary map has induced subgraph $[C] = \mathbf{C}_n^{(\lambda)}$ as in line 1 of Table 4, and moreover the cycle C is of the form $C_0^{(\lambda)}$ (as in Proposition 3.4) for a simple n -cycle C_0 . In addition, for $n \equiv 2 \pmod{4}$, we construct in [4, Section 6] infinitely many examples of such maps from extenders of complete bipartite graphs, namely, if $n = 2m$ with m odd, and if λ is such that $\gcd(n, \lambda) = 2$, we construct an embedding of $\mathbf{K}_{m,m}^{(2\lambda)}$ with all face boundary cycles of the form $C_0^{(\lambda)}$ for a simple n -cycle C_0 . In particular, it would be interesting to know precisely which values of n, λ are possible for vertex-rotary maps.

2. PRELIMINARIES AND THE EXCEPTIONAL GRAPH $\mathbf{K}_2^{(\lambda)}$

2.1. Notation. For a graph $\Gamma = (V, E, \mathbf{I})$, and any subset of edges $E' \subseteq E$, the *edge-induced subgraph* is the graph $[E'] := (V(E'), E', \mathbf{I}')$, where

$$V(E') = \{\alpha \mid (\alpha, e) \in \mathbf{I}, \text{ for some } e \in E'\}, \text{ and } \mathbf{I}' = \mathbf{I} \cap (V(E') \times E').$$

An *isolated vertex* of a graph Γ , is a vertex which is not incident to any edge of Γ . Thus Γ has no isolated vertices if and only if $V(E) = V$. The graph Γ is *connected* if, for each pair of vertices α, β there exists a sequence of edges e_1, \dots, e_r such that $e_i = [\alpha_{i-1}, e_i, \alpha_i]$ for each i , and $\alpha_0 = \alpha$ and $\alpha_r = \beta$. A *connected component* of Γ is either (i) a one-vertex graph $(\{\alpha\}, \emptyset)$ where α is an isolated vertex, or (ii) a connected edge-induced subgraph $[E']$ for some non-empty $E' \subseteq E$ such that, for each edge $e \in E$, either $e \in E'$, or e is incident with no vertex of $V(E')$.

For some of the graphs in Theorem 1.1, the group considered has two edge-orbits, and we view the graph as an edge-disjoint union of two smaller graphs. We use the following notation: given graphs $\Gamma_i = (V_i, E_i, \mathbf{I}_i)$, for $i = 1, 2$, where the vertex sets V_1, V_2 may overlap but $E_1 \cap E_2 = \emptyset$, the *edge-disjoint union* of Γ_1 and Γ_2 is the graph $\Gamma_1 + \Gamma_2 = (V, E, \mathbf{I})$, such that

$$V = V_1 \cup V_2, E = E_1 \cup E_2, \text{ and } \mathbf{I} = \mathbf{I}_1 \cup \mathbf{I}_2 \subset V \times E.$$

2.2. The graph $\mathbf{K}_2^{(\lambda)}$. First we prove the assertion, mentioned in the introduction, that essentially the only graphs for which the automorphism group is not faithful on edges are those with at least one component $\mathbf{K}_2^{(\lambda)}$.

Lemma 2.1. *Let $\Gamma = (V, E, \mathbf{I})$ be a graph with no isolated vertices and $G \leq \text{Aut}\Gamma$. Then either G acts faithfully on E , or some connected component of Γ is isomorphic to $\mathbf{K}_2^{(\lambda)}$, for some λ .*

Proof. Let $K = G_{(E)}$ be the kernel of the action of G on E . By the definition of an automorphism, K acts faithfully on V . If K is trivial on V there is nothing to prove, so

G	$ G $	Action on V	Action on E	Conditions/comments
$\langle x \rangle \times \langle y \rangle$	2λ	transitive	regular	λ odd, $G_{(E)} \neq 1$
$\langle xy \rangle$	λ	transitive	regular	λ even
$\langle x \rangle$	λ	trivial	regular	λ arbitrary
$\langle x^2 \rangle \times \langle y \rangle$	λ	transitive	bi-regular	$\lambda = 2\lambda_0$, λ_0 odd, $G_{(E)} \neq 1$
$\langle x^2 y \rangle$	λ_0	transitive	bi-regular	$\lambda = 2\lambda_0$, λ_0 even
$\langle x^2 \rangle$	λ_0	trivial	bi-regular	$\lambda = 2\lambda_0$, λ_0 arbitrary

TABLE 5. Edge regular and bi-regular actions on $\mathbf{K}_2^{(\lambda)}$

assume that $x \in K$ and $\alpha \in V$ such that $\alpha^x \neq \alpha$. Since Γ has no isolated vertices there exists an edge $e = [\alpha, e, \beta]$, and since x fixes e it follows that x interchanges α and β . Since K fixes all edges, it follows that each edge incident with α is also incident with β , and conversely, and hence Γ has a connected component with vertex set $\{\alpha, \beta\}$, and it is isomorphic to $K_2^{(\lambda)}$, for some λ . \square

The graph $\Gamma = \mathbf{K}_2^{(\lambda)} = (V, E)$ has automorphism group $\text{Aut}\Gamma = \text{Sym}(E) \times \text{Sym}(V) \cong \text{Sym}(\lambda) \times \mathbb{Z}_2$, with $\text{Sym}(\lambda)$ acting naturally on E and fixing V pointwise, and $\text{Sym}(V)$ acting naturally on V and fixing E pointwise. The additional automorphisms give extra examples of edge-regular and bi-regular actions, and it is instructive to consider these graphs separately here.

Proposition 2.2. *Let $\Gamma = \mathbf{K}_2^{(\lambda)} = (V, E)$ for some $\lambda \geq 1$, and let $G = \langle g \rangle \leq \text{Aut}\Gamma$ be regular or bi-regular on E . Then*

- (a) $G \leq L \times \langle y \rangle$, where $\langle y \rangle = \text{Sym}(V) \cong \mathbb{Z}_2$, $L = \langle x \rangle \cong \mathbb{Z}_\lambda$ is a cyclic edge-regular subgroup of $\text{Sym}(E)$, and G, λ are as in one of the lines of Table 5.
- (b) Moreover, Γ has a symmetrical Euler cycle C if and only if λ is even, and in this case $H(C) = \langle \varphi, \tau \rangle = D(C)$, with $\varphi, \tau, D(C)$ as in (2) and (3).

Proof. (a) The projection $\pi : G \rightarrow \text{Sym}(E)$ has image a cyclic edge-regular or bi-regular subgroup, and in either case there exists a cyclic edge-regular subgroup $L \leq \text{Sym}(E)$ containing $\pi(G)$. Thus $G \leq L \times \langle y \rangle$ with $L = \langle x \rangle \cong \mathbb{Z}_\lambda$. Suppose first that G is edge-regular, so $\pi(G) = L$ and $|G|$ is a multiple of λ . One possibility is that $G = L \times \langle y \rangle$, and since G is cyclic this implies that λ is odd and line 1 of Table 5 holds. So suppose that G is a proper subgroup of $L \times \langle y \rangle$. Since $|G|$ is a multiple of λ , it follows that $|G| = \lambda$. If G is vertex-transitive then $G = \langle xy \rangle \cong \mathbb{Z}_\lambda$ and this implies that λ is even, and line 2 of Table 5 holds. On the other hand, if G is intransitive, then $G = \langle x \rangle \cong \mathbb{Z}_\lambda$ and line 3 of Table 5 holds (and here λ is arbitrary).

Suppose now that G is edge-bi-regular, so $\lambda = 2\lambda_0$ is even and $\pi(G) = \langle x^2 \rangle \cong \mathbb{Z}_{\lambda_0}$, and $G \leq \langle x^2 \rangle \times \langle y \rangle$. If $G = \langle x^2 \rangle \times \langle y \rangle$, then $\lambda_0 = |x^2|$ is odd since G is cyclic, and line 4 of Table 5 holds. Suppose now that G is a proper subgroup of $\langle x^2 \rangle \times \langle y \rangle$, so $|G| = \lambda_0$. If G is vertex-transitive then $G = \langle x^2 y \rangle \cong \mathbb{Z}_{\lambda_0}$ and this implies that λ_0 is even, and line 5 of Table 5 holds. On the other hand, if G is intransitive, then $G = \langle x^2 \rangle \cong \mathbb{Z}_{\lambda_0}$ and line 6 of Table 5 holds (and here λ_0 is arbitrary).

(b) By our comments above in an Euler cycle, each vertex is incident with an even number of edges, so there is no Euler cycle if λ is odd. Suppose that λ is even. Then it is easy to sequence the edges into a symmetrical Euler cycle using, say, the edge-regular

automorphism x : choose $e \in E$ and define $e_0 = e$ and $e_i = e^{x^i}$ for $1 \leq i \leq \lambda - 1$. Then $C = (e_0, \dots, e_{\lambda-1})$ is an Euler cycle and x induces $\varphi \in D(C)$ and fixes each of the vertices. Also there is an involution $z \in N_{\text{Sym}(E)}(\langle x \rangle)$ given by $z : e_i \rightarrow e_{\lambda-i}$ for each i , and hence z induces τ in $H(C)$ so $H(C) = D(C)$. \square

3. CYCLES, SYMMETRICAL EULER CYCLES, AND MAPS

Let C be an ℓ -cycle in a graph $\Gamma = (V, E, \mathbf{I})$, as in (1), with edges $[\alpha_{i-1}, e_i, \alpha_i]$, reading the subscripts modulo ℓ . If the vertices α_i are pairwise distinct, then $[C]$ is a simple graph of valency 2, and hence $[C] = \mathbf{C}_\ell$. In this case we call C a *simple ℓ -cycle*, and since the vertices α_i are pairwise distinct, we can identify C with the vertex sequence $(\alpha_1, \alpha_2, \dots, \alpha_\ell)$.

Other examples of ℓ -cycles C arise naturally with $[C] = \mathbf{C}_n^{(\lambda)}$ where $\ell = n\lambda$, with the edges sequenced in any way so that $\alpha_i = \alpha_j$ whenever $i \equiv j \pmod{n}$. The set of all ℓ -cycles with this property forms a single orbit under the automorphism group of $\mathbf{C}_n^{(\lambda)}$, and we call each such ℓ -cycle *standard*, or a *standard edge-sequencing*. However not all cycles in graphs are of this kind. Even for $[C] = \mathbf{C}_n^{(\lambda)}$ with $\lambda > 1$, there are many non-standard ways to sequence the edges to form a cycle. For example, if e_{ij}^1, e_{ij}^2 denote the two edges of $\mathbf{C}_3^{(2)}$ incident with vertices i, j , then $(e_{12}^1, e_{12}^2, e_{23}^1, e_{13}^1, e_{13}^2, e_{23}^2)$ is a non-standard 6-cycle. Moreover the induced subgraph $[C]$ of a cycle C may be quite different from $\mathbf{C}_n^{(\lambda)}$, as the next examples show (some of which appear again in our main theorems).

Example 3.1. Let $\Gamma = \Sigma^{(\lambda)}$, with $\lambda = 2$ and with Σ one of the following simple graphs. Then Γ has constant edge-multiplicity 2, and its edge set can be sequenced to form an Euler cycle. (Finding these sequencings is left as an easy exercise.)

- (a) Σ is the complete bipartite graph $\mathbf{K}_{2,3}$, so Γ has $\ell = 12$ edges and $n = 5$ vertices;
- (b) Σ is the cartesian product $\mathbf{C}_r \square \mathbf{K}_2$, so Γ has $\ell = 6r$ edges and $n = 2r$ vertices, and γ is regular of valency 3;
- (c) $\Sigma = (V, E, I)$ with $V = \mathbb{Z}_r \times \mathbb{Z}_2$ and $E = \{e_i, f_i \mid i \in \mathbb{Z}_r\}$ such that, for each $i \in \mathbb{Z}_r$, e_i is incident with $(i, 0)$ and $(i+1, 0)$, and f_i is incident with $(i, 0)$ and $(i, 1)$. Here $\Gamma = \Sigma^{(2)}$ has $\ell = 4r$ edges, $n = 2r$ vertices, and we note that $\ell = n\lambda$.

These examples illustrate that, for an ℓ -cycle C , the induced graph $[C]$ need not be regular (examples (a) and (c)), or $[C]$ may be regular of valency greater than 2 (example (b)), and even if $[C]$ has constant edge-multiplicity λ and $n\lambda$ edges, where n is the number of vertices, $[C]$ need not be $\mathbf{C}_n^{(\lambda)}$ (example (c) again). These observations hold in particular for the Euler cycles of the graphs in Example 3.1.

3.1. Symmetrical cycles and arc-transitive maps. Let $C = (e_1, e_2, \dots, e_\ell)$ be an ℓ -cycle in a graph Γ . As we noted in Section 1.2, each rotation (shift) $C\varphi^i$ and reflection (reversal followed by a shift) $C\tau\varphi^i$ of C is again a cycle involving the same edge-set $E(C)$ as C . This collection of cycles is called the *sequence class* of cycles containing C . We say that an automorphism $g \in \text{Aut}\Gamma$ *preserves* C if g leaves invariant the sequence class of C . Thus the subgroup $(\text{Aut}\Gamma)_C$ of $\text{Aut}\Gamma$ preserving C induces a subgroup $H(C)$ of automorphisms of the induced subgraph $[C]$ such that $H(C) \leq D(C)$ with $D(C)$ as in (3). As discussed above, C is called *symmetrical* if $H(C)$ contains $\langle \varphi^2 \rangle$, and for such cycles, Theorem 1.2 determines all possible induced subgraphs $[C]$. Apart from $\langle \varphi^2 \rangle$ itself, the subgroups $H(C)$ of $D(C)$ containing $\langle \varphi^2 \rangle$ are listed in Table 6. These subgroups are relevant for studying edge-transitive or face-transitive embeddings of graphs in Riemann surfaces.

TABLE 6. Groups $H(C)$ for a boundary cycle C of an arc-transitive map \mathcal{M}

$H(C)$	orbits in $E(C)$	orbits in $V(C)$	Comments
$D(C)$	$E(C)$	$V(C)$	
$\langle \varphi \rangle$	$E(C)$	$V(C)$	equals $\langle \varphi^2 \rangle$ if ℓ odd
$\langle \varphi^2, \varphi\tau \rangle$	two orbits	$V(C)$	ℓ even
$\langle \varphi^2, \tau \rangle$	$E(C)$	two orbits if $\lambda = 1$	ℓ even

A map $\mathcal{M} = (V, E, F)$ is a 2-cell embedding of a graph $\Gamma = (V, E)$ in a closed surface with face set F , and the graph Γ is called the *underlying graph* of \mathcal{M} . An *arc* of a map, or a graph, is an incident vertex–edge pair, and a map \mathcal{M} is called *arc-transitive* if its automorphism group $\text{Aut}\mathcal{M}$ is transitive on the arc-set of \mathcal{M} . The next result describes the kinds of groups $H(C)$ which may arise for boundary cycles C of arc-transitive maps. In [5] we discuss finite maps $\mathcal{M} = (V, E, F)$ with arc-transitive automorphism groups, where the underlying graph $\Gamma = (V, E)$ may have multiple edges, as in this paper. The only facts about maps we use in the proof of Lemma 3.2 are that each edge in E is incident with exactly two faces in F , together with the arc-transitivity of the map group $\text{Aut}\mathcal{M} \leq \text{Aut}\Gamma$.

Lemma 3.2. *Let $\mathcal{M} = (V, E, F)$ and $G \leq \text{Aut}\mathcal{M}$ such that G is arc-transitive on \mathcal{M} , and each edge in E is incident with exactly two faces in F . Let $f \in F$ be a face, and $C = (e_1, \dots, e_\ell)$ the boundary cycle of f . Then the stabiliser G_f induces a subgroup $H(C)$ of $D(C)$ as in one of the lines of Table 6, which gives also the $H(C)$ -orbits on edges $E(C)$ and vertices $V(C)$ of C . In each case, $H(C)$ contains the cyclic subgroup $\langle \varphi^2 \rangle$ which is regular (if ℓ is odd) or bi-regular (if ℓ is even) on $E(C)$, and $\langle \varphi^2 \rangle$ has at most two orbits in $V(C)$. In particular C is a symmetrical Euler cycle of $[C]$.*

Proof. For $C = (e_1, \dots, e_\ell)$ we have $e_i = [\alpha_{i-1}, e_i, \alpha_i]$ for each i , reading subscripts modulo ℓ . Let f_i be the second face incident with e_i , for each i . The setwise stabiliser G_f preserves C and induces a subgroup $H(C)$ of $D(C)$. As \mathcal{M} is G -arc-transitive, there exist $g, h \in G$ such that $(\alpha_0, e_1, \alpha_1)^h = (\alpha_1, e_1, \alpha_0)$ and $(\alpha_0, e_1, \alpha_1)^g = (\alpha_1, e_2, \alpha_2)$. Suppose first that $f^h = f$. Then also $f_1^h = f_1$. For each i there exists $g_i \in \text{Aut}\mathcal{M}$ such that $e_1^{g_i} = e_i$ and so g_i maps the pair $\{f, f_1\}$ to the pair of faces $\{f, f_i\}$ incident with e_i . In particular $f^{g_i^{-1}}$ is one of f, f_1 and so is fixed by h and hence $f^{g_i^{-1}hg_i} = f^{g_i^{-1}g_i} = f$. It follows that $H(C)$ contains each edge-reflection, and hence contains φ^2 as well as the edge-reflection induced by h . Thus in this case $H(C)$ is either $\langle \varphi^2, \varphi\tau \rangle$ with ℓ even and has two orbits in $E(C)$, or is $D(C)$, and in either case $H(C)$ is transitive on $V(C)$. This we may assume that each element h such that $(\alpha_0, e_1, \alpha_1)^h = (\alpha_1, e_1, \alpha_0)$ interchanges f and f_1 , and hence that $g_i^{-1}hg_i$ interchanges f and f_i , for each i . If g leaves the face f invariant then $H(C)$ contains φ so $H(C) = \langle \varphi \rangle$ (by our assumption on the elements h) and $H(C)$ is transitive on both $E(C)$ and $V(C)$.

So assume also that g does not fix f for any such g mapping $(\alpha_0, e_1, \alpha_1)$ to $(\alpha_1, e_2, \alpha_2)$. Then $f_1^g = f, f^g = f_2$, and hence hg leaves f invariant. Now hg induces a reflection of C in the vertex α_1 . Similar arguments with the edges e_1, e_2 replaced by e_2, e_3 yield one of the groups above, for $H(C)$ or that $H(C)$ contains also the reflection of C in the vertex α_2 . The product of these two reflections is a generator of the group $\langle \varphi^2 \rangle$, and hence these two reflections generate the group $H(C) = \langle \varphi^2, \tau \rangle$, which is regular on $E(C)$ and has two vertex-orbits when ℓ is even. (If ℓ is odd the group generated is $D(C)$.) \square

TABLE 7. Elements in $H(C^{(\lambda)})$ for an Euler cycle C of Γ ; in all cases $\psi^{(\lambda)}|_V = \psi|_V$

ψ induces in $H(C)$	$\psi^{(\lambda)}$ on edges, for $i \bmod \ell, j \bmod \lambda$
φ	$e_i^j \rightarrow \begin{cases} e_{i+1}^j & \text{if } 1 \leq i \leq \ell - 1 \\ e_{i+1}^{j+1} & \text{if } i = \ell \end{cases}$
φ^2	$e_i^j \rightarrow \begin{cases} e_{i+2}^j & \text{if } 1 \leq i \leq \ell - 2 \\ e_{i+2}^{j+1} & \text{if } i \in \{\ell - 1, \ell\} \end{cases}$
τ	$e_i^j \rightarrow \begin{cases} e_{\ell+1-i}^{\lambda+1-j} & \text{if } 1 \leq i \leq \ell - 1 \\ e_{\ell+1-i}^{\lambda-j} & \text{if } i = \ell \end{cases}$
$\varphi\tau$	$e_i^j \rightarrow \begin{cases} e_{\ell-i}^{\lambda+1-j} & \text{if } 1 \leq i \leq \ell - 2 \\ e_{\ell-i}^{\lambda-j} & \text{if } i = \ell - 1 \\ e_{\ell}^{\lambda-j} & \text{if } i = \ell \end{cases}$

Remark 3.3. We note that the subgroup $\langle \varphi^2, \tau \rangle$ contains all reflections of C ‘through a vertex’: τ reflects C through the vertex α_0 (between the edges e_ℓ and e_1), while $\tau\varphi^2$ reflects C through the vertex α_1 (between the edges e_1 and e_2), etc. Thus, for a symmetrical cycle C as in (1), to prove that $H(C) = \langle \varphi^2, \tau \rangle$ we need only prove that $H(C)$ contains one of these reflections. Similar comments apply to the subgroup $\langle \varphi^2, \varphi\tau \rangle$, which contains all reflections of C ‘through an edge’, where $\varphi\tau$ reflects C through the edge e_ℓ , etc. To prove that $H(C) = \langle \varphi^2, \varphi\tau \rangle$, for a symmetrical cycle C , we need only prove that $H(C)$ contains one reflection through an edge. We note also that it is sometimes more convenient in our analysis to label the edges of an ℓ -cycle as $(e_0, e_1, \dots, e_{\ell-1})$ for working with the action of the cyclic group \mathbb{Z}_ℓ .

3.2. Symmetrical Euler cycles and λ -extenders. It turns out that if a graph Γ (not necessarily a simple graph) has a symmetrical Euler cycle, then so does its λ -extender for each λ . We prove this as a consequence of a more general result about cyclic edge regular or bi-regular subgroups of automorphisms. It is useful to use the following notation: for $\Gamma = (V, E)$, we have $\Gamma^{(\lambda)} = (V, E^{(\lambda)})$, and we label the λ edges in $E^{(\lambda)}$ corresponding to the edge $e = [\beta, e, \alpha] \in E$ by

$$(5) \quad e^j = [\beta, e^j, \alpha], \text{ for } 1 \leq j \leq \lambda.$$

Proposition 3.4. *Suppose that, for a graph $\Gamma = (V, E)$, $\text{Aut}\Gamma$ has a cyclic subgroup that is regular or bi-regular on E with t orbits on V , and let λ be a positive integer. Then, for the λ -extender $\Gamma^{(\lambda)}$,*

- (a) $\text{Aut}\Gamma^{(\lambda)}$ has a cyclic regular or bi-regular subgroup, respectively, with t orbits on V ;
- (b) if $C = (e_1, \dots, e_\ell)$ is an Euler cycle of Γ , and if $\psi \in \text{Aut}\Gamma$ induces one of $\varphi, \varphi^2, \tau, \varphi\tau$ in $H(C)$, as in (2) and (4), then

$$C^{(\lambda)} = (e_1^1, \dots, e_\ell^1, e_1^2, \dots, e_\ell^2, \dots, e_1^\lambda, \dots, e_\ell^\lambda)$$

is an Euler cycle of $\Gamma^{(\lambda)}$, and the map $\psi^{(\lambda)}$ as in Table 7 lies in $\text{Aut}\Gamma^{(\lambda)}$ and induces the element $\varphi, \varphi^2, \tau, \varphi\tau$ in $H(C^{(\lambda)})$, respectively. In particular, if Γ has a symmetrical Euler cycle, then also $\Gamma^{(\lambda)}$ has a symmetrical Euler cycle.

Proof. (a) By assumption, there is an element $\psi \in \text{Aut}\Gamma$ such that $G = \langle \psi \rangle$ is regular or bi-regular on E . Thus we may label the edge-set $E = \{e_1, \dots, e_\ell\}$, such that $e_i = [\beta_i, e_i, \alpha_i]$

for each i , and for $1 \leq i \leq \ell$, reading subscripts modulo ℓ ,

$\psi : e_i \rightarrow e_{i+1}$, if ψ is regular on E , or $\psi : e_i \rightarrow e_{i+2}$, if ψ is bi-regular on E ,

and hence $\psi : \{\beta_i, \alpha_i\} \rightarrow \{\beta_{i+1}, \alpha_{i+1}\}$ or $\{\beta_i, \alpha_i\} \rightarrow \{\beta_{i+2}, \alpha_{i+2}\}$, respectively, for each i . For each i , we label the λ edges of $\Gamma^{(\lambda)} = (V, E^{(\lambda)})$ which correspond to the edge $e_i = [\beta_i, e_i, \alpha_i]$ by e_i^j , for $1 \leq j \leq \lambda$, as in (5), and we define the map $\psi^{(\lambda)} : V \cup E^{(\lambda)} \rightarrow V \cup E^{(\lambda)}$ (reading subscripts modulo ℓ , and superscripts modulo λ) by $\rho|_V = \psi|_V$ and

$$\psi^{(\lambda)} : e_i^j \rightarrow \begin{cases} e_{i+1}^j & \text{if } 1 \leq i \leq \ell - 1 \\ e_{i+1}^{j+1} & \text{if } i = \ell \end{cases}$$

if $\langle \psi \rangle$ is regular, or

$$\psi^{(\lambda)} : e_i^j \rightarrow \begin{cases} e_{i+2}^j & \text{if } 1 \leq i \leq \ell - 2 \\ e_{i+2}^{j+1} & \text{if } i \in \{\ell - 1, \ell\} \end{cases}$$

if $\langle \psi \rangle$ is bi-regular. Then $\psi^{(\lambda)}$ is a bijection and preserves incidence in $\Gamma^{(\lambda)}$, and hence $\psi^{(\lambda)} \in \text{Aut}\Gamma^{(\lambda)}$. Further $\langle \psi^{(\lambda)} \rangle$ is regular or bi-regular on $E^{(\lambda)}$, according as G is regular or bi-regular on E , respectively, and as $\psi^{(\lambda)}|_V = \psi|_V$, the groups $\langle \psi \rangle, \langle \psi^{(\lambda)} \rangle$ have the same number of vertex-orbits. This proves part (a).

(b) Suppose now that Γ has an Euler cycle $C = (e_1, \dots, e_\ell)$ with each $e_i = [\alpha_{i-1}, e_i, \alpha_i]$, and that ψ induces one of the maps $\varphi, \varphi^2, \tau, \varphi\tau$ in $H(C)$. Let $C^{(\lambda)}$ and $\psi^{(\lambda)}$ be as in the statement and Table 7. From the definition of $E^{(\lambda)}$ it is clear that $C^{(\lambda)}$ is a cycle, and hence an Euler cycle of $\Gamma^{(\lambda)}$. Clearly $\psi^{(\lambda)}$ is a bijection on $V \cup E^{(\lambda)}$ and preserves incidence and hence lies in $\text{Aut}\Gamma^{(\lambda)}$. A somewhat tedious checking shows that the map $\psi^{(\lambda)}$ is equal to the element $\varphi, \varphi^2, \tau, \varphi\tau$ in $H(C^{(\lambda)})$, respectively. In particular if C is a symmetrical Euler cycle of Γ , so there is an element $\psi \in \text{Aut}\Gamma$ inducing φ^2 in $H(C)$, then we have just shown that $\psi^{(\lambda)}$ induces φ^2 in $H(C^{(\lambda)})$. Hence $C^{(\lambda)}$ is a symmetrical Euler cycle in $\Gamma^{(\lambda)}$. \square

4. EXAMPLES OF GRAPHS

Here we introduce the families of graphs occurring in the tables for Theorem 1.1. In the light of Proposition 3.4, to show that a λ -extender $\Gamma = \Gamma_0^{(\lambda)}$ satisfies the hypotheses of Theorem 1.1, it is sufficient to show that the graph Γ_0 satisfies them. Thus we will in general consider graphs which are not λ -extenders.

4.1. Circulants. View $\mathbb{Z}_n = \{0, 1, \dots, n-1\}$ as a cyclic group of order n under addition. The circulants we construct may have multiple edges. Let S be a multiset of elements from $\mathbb{Z}_n \setminus \{0\}$ such that, if an element $z \in \mathbb{Z}_n$ appears exactly λ times in S , we write $z^{(\lambda)} \in S$. Assume further that S is *self-inverse*, that is, if $z^{(\lambda)} \in S$ then $(-z)^{(\lambda)} \in S$. For such a self-inverse multiset S , $\text{Circ}(n, S)$ denotes the (Cayley) graph with vertex set \mathbb{Z}_n such that, for each $v \in \mathbb{Z}_n$ and each $z^{(\lambda)} \in S$, there are exactly λ edges between v and $v + z$. Graphs of this form are called *circulants of order n* . If each element of a multiset has the same multiplicity λ , then we sometimes denote the multiset by $S^{(\lambda)}$ for some subset $S \subseteq \mathbb{Z}_n$, that is, $S^{(\lambda)} = \{s^{(\lambda)} \mid s \in S\}$. First we construct the graphs occurring in Theorem 1.1 which are essentially cycles.

Definition 4.1. Let n be an integer, $n \geq 3$, and let $S = \{1, -1\}$, regarded as a multiset in \mathbb{Z}_n . Let $\Gamma = \text{Circ}(n, S) = (V, E)$ with $V = \mathbb{Z}_n$ and $E = \{e_i \mid i \in \mathbb{Z}_n\}$, where $e_i = [i, e_i, i+1]$, for $i \in \mathbb{Z}_n$. Define the map $g : V \cup E \rightarrow V \cup E$ by

$$g : i \rightarrow i + 1, \text{ and } g : e_i \rightarrow e_{i+1} \text{ for } i \in \mathbb{Z}_n.$$

Define the edge sequence $C = (e_0, \dots, e_n)$ of length n .

Lemma 4.2. *With the notation of Definition 4.1, the graph $\Gamma \cong \mathbf{C}_n$, Γ is connected, $g \in \text{Aut}\Gamma$, and*

- (a) *the group $\langle g \rangle$ is transitive on V and regular on E and line 1 of Table 1 holds. Moreover, C is a symmetrical Euler cycle for Γ , g induces the map φ of (2), and $H(C) = D(C) \cong \mathbf{D}_{2n}$.*
- (b) *For the 2-extender $\mathbf{C}_n^{(2)}$, the group $\langle g \rangle$ is transitive on V and bi-regular on $E^{(2)}$ and line 1 of Table 2 holds.*
- (c) *If n is even, $n \geq 4$, then $\langle g^2 \rangle \cong \mathbb{Z}_{n/2}$ is bi-transitive on V , and bi-regular on E with orbits E_0 and E_1 such that $[E_0] \cong [E_1] \cong \frac{n}{2}\mathbf{K}_2$, and line 1 of Table 3 holds.*

Proof. Clearly $\Gamma \cong \mathbf{C}_n$, Γ is connected, and $g \in \text{Aut}\Gamma$, and most of part (a) follows immediately from the definitions of g and a symmetrical Euler cycle for Γ , with g inducing the map φ in $H(C)$. Further $\text{Aut}\Gamma$ contains an automorphism τ as in (2), and $\langle g, \tau \rangle \cong \mathbf{D}_{2n}$, so $H(C) = D(C) = \mathbf{D}_{2n}$. For part (b), we note that $\langle g \rangle$ has two orbits in $E^{(2)}$, namely, for $j \in \{1, 2\}$, $E_j := \{e_i^j \mid i \in \mathbb{Z}_n\}$, where $e_i^j = [i, e_i^j, i + 1]$ for $i \in \mathbb{Z}_n$. Finally for part (c), for n even, $\langle g^2 \rangle \cong \mathbb{Z}_{n/2}$ is bi-transitive on V , and bi-regular on E with edge-orbits $E_0 := \{e_{2i} \mid 0 \leq i < n/2\}$ and $E_1 := \{e_{2i+1} \mid 0 \leq i < n/2\}$, and the induced subgraphs $[E_0] \cong [E_1] \cong \frac{n}{2}\mathbf{K}_2$. \square

Next we consider the remaining circulants occurring in Table 2 for Theorem 1.1. For $a \in \mathbb{Z}_n$, by $|a|$ we mean the additive order of a , that is, the least positive integer m such that $ma \equiv 1 \pmod{n}$.

Definition 4.3. Let n be a positive integer with $n \geq 3$, and let $a, b \in \mathbb{Z}_n \setminus \{0\}$ such that $\gcd(n, a, b) = 1$. Let $\Gamma = \Gamma(n, a, b) = \text{Circ}(n, S)$ where

$$S = \begin{cases} \{a, -a, b, -b\} & \text{if } |a| \geq 3, |b| \geq 3, a \neq \pm b \\ \{a, -a, b^{(2)}\} & \text{if } |a| \geq 3, 2b = n \end{cases}$$

so Γ has $2n$ edges, namely $e_{i,a} = [i, e_{i,a}, i + a]$, and $e_{i,b} = [i, e_{i,b}, i + b]$, for $i \in \mathbb{Z}_n$, and we note that, if $2b = n$ then $e_{i,b}$ and $e_{i+b,b}$ are both incident with the same pair of vertices $\{i, i + b\}$. Let $E_a = \{e_{i,a} \mid i \in \mathbb{Z}_n\}$, $E_b = \{e_{i,b} \mid i \in \mathbb{Z}_n\}$. Thus Γ is not always simple, but in all cases the natural generator g of \mathbb{Z}_n acts as follows:

$$g : i \rightarrow i + 1, \quad e_{i,a} \rightarrow e_{i+1,a}, \quad e_{i,b} \rightarrow e_{i+1,b}, \quad \text{for } i \in \mathbb{Z}_n.$$

Lemma 4.4. *With the notation of Definition 4.3, the graph $\Gamma = \Gamma(n, a, b)$ is connected, and the group $\langle g \rangle = \mathbb{Z}_n$ induces a cyclic subgroup of $\text{Aut}\Gamma$ which is regular on vertices and bi-regular on edges, with edge-orbits E_a and E_b . Moreover, if $2b \neq n$ then Γ is simple of valency 4 as in line 4 of Table 2.*

Proof. The vertices reached by sequences of edges beginning at 0 are precisely those of the form $ia + jb$ for some integers i, j , and these vertices are the multiples of $\gcd(a, b)$, modulo n . Since $\gcd(n, a, b) = 1$ it follows that all vertices occur so Γ is connected and $\mathbb{Z}_n = \langle a, b \rangle$. By definition of circulants, \mathbb{Z}_n , acting naturally by ‘right multiplication’ induces a cyclic subgroup of $\text{Aut}\Gamma$ which is regular on vertices, and it has E_a, E_b as its edge-orbits. If $2b \neq n$ then Γ has valency $|S| = 4$ and is a graph in line 4 of Table 2. \square

Note that if $|b| = 2$ in Definition 4.3 then n is even and $b = n/2$. The following corollary describes two special cases of the construction in Definition 4.3 where $|b| = 2$. We note that in case (b) below, the graph $\Gamma(2r, 2, r)$ is isomorphic to the cartesian product $\mathbf{C}_r \square \mathbf{K}_2^{(2)}$.

Corollary 4.5. *Let $n = 2r \geq 4$. Then the following hold, with the notation of Definition 4.3,*

- (a) $\Gamma = \Gamma(2r, 1, r) = \text{Circ}(2r, \{1, -1\}) + \text{Circ}(2r, \{r^{(2)}\}) = \mathbf{C}_{2r} + r\mathbf{K}_2^{(2)}$; and
- (b) if r is odd, then $\Gamma = \Gamma(2r, 2, r) = \text{Circ}(2r, \{2, -2\}) + \text{Circ}(2r, \{r^{(2)}\}) = 2\mathbf{C}_r + r\mathbf{K}_2^{(2)}$.

In either case, Γ is connected, and $\text{Aut}\Gamma$ has a cyclic subgroup that is transitive on vertices and bi-regular on edges, as in line 2 or 3 of Table 2.

Proof. This follows immediately from Proposition 4.4, noting that $\gcd(2r, 1, r) = 1$, and when r is odd also $\gcd(2r, 2, r) = 1$. \square

4.2. Modified Kronecker product graphs. Our next construction is a modification of the Kronecker product construction for graphs, so we use similar notation. It produces the graphs in line 3 of Table 3.

Definition 4.6. Let r, s, t be positive integers such that $r \geq 2$, $st \geq 2$ and $\gcd(s, t) = 1$, and let $S = \mathbb{Z}_s, T = \mathbb{Z}_t$. Then $\Gamma = \mathbf{C}_{2r}[s\mathbf{K}_1, t\mathbf{K}_1] = (V, E)$ is the graph defined as follows. The vertex set $V = V_S \cup V_T$, where

$$V_S = \{(2k, i) \mid 0 \leq k \leq r-1, i \in S\}, \text{ and } V_T = \{(2k+1, j) \mid 0 \leq k \leq r-1, j \in T\},$$

and edge set $E = E_S \cup E_T$ where

$$E_S = \{[(2k, i), e_{i,j}^{2k}, (2k+1, j)] \mid 0 \leq k \leq r-1, i \in S, j \in T\}, \text{ and}$$

$$E_T = \{[(2k+1, j), e_{j,i}^{2k+1}, (2k+2, i)] \mid 0 \leq k \leq r-1, i \in S, j \in T\},$$

and we read the entry $2k+2$ modulo $2r$. Define the maps $g, y : V \cup E \rightarrow V \cup E$ as follows, for $0 \leq k \leq r-1, i \in S, j \in T$:

$$\begin{array}{llll} g : & (2k, i) & \rightarrow & (2k+2, i), & (2k+1, j) & \rightarrow & (2k+3, j) & \text{if } k \leq r-2, \\ & (2r-2, i) & \rightarrow & (0, i+1), & (2r-1, j) & \rightarrow & (1, j+1) & \\ & e_{i,j}^{2k} & \rightarrow & e_{i,j}^{2k+2}, & e_{j,i}^{2k+1} & \rightarrow & e_{j,i}^{2k+3} & \text{if } k \leq r-3, \\ & e_{i,j}^{2r-4} & \rightarrow & e_{i,j}^{2r-2}, & e_{j,i}^{2r-3} & \rightarrow & e_{j,i}^{2r-1} & \\ & e_{i,j}^{2r-2} & \rightarrow & e_{i+1,j+1}^0, & e_{j,i}^{2r-1} & \rightarrow & e_{j+1,i}^1 & \end{array}$$

$$\begin{array}{llll} y : & (0, i) & \rightarrow & (0, -i), & (1, j) & \rightarrow & (2r-1, -j-1) & \\ & (2k, i) & \rightarrow & (2(r-k), -i-1), & (2k+1, j) & \rightarrow & (2(r-k-1)+1, -j-1) & \\ & e_{i,j}^0 & \rightarrow & e_{-j-1,-i}^{2r-1}, & e_{j,i}^{2r-1} & \rightarrow & e_{-i,-j-1}^0 & \\ & e_{i,j}^{2k} & \rightarrow & e_{-j-1,-i-1}^{2(r-k-1)+1}, & e_{j,i}^{2k-1} & \rightarrow & e_{-i-1,-j-1}^{2(r-k)} & \end{array}$$

where $i \in S, j \in T$, and in lines 2 and 4 in the definition of y we have $1 \leq k \leq r-1$.

We could have defined the graph $\mathbf{C}_{2r}[s\mathbf{K}_1, t\mathbf{K}_1]$ with $s = t = 1$, but then it is just the cycle \mathbf{C}_{2r} so we avoid this degenerate case. It is not difficult to see that the automorphism group of $\mathbf{C}_{2r}[s\mathbf{K}_1, t\mathbf{K}_1]$ is isomorphic to $(\text{Sym}(s) \times \text{Sym}(t)) \wr D_{2r}$. We show that the map g generates a vertex-bi-transitive, edge-bi-regular group of automorphisms, and moreover that $\langle g, y \rangle$ is an edge-regular dihedral group.

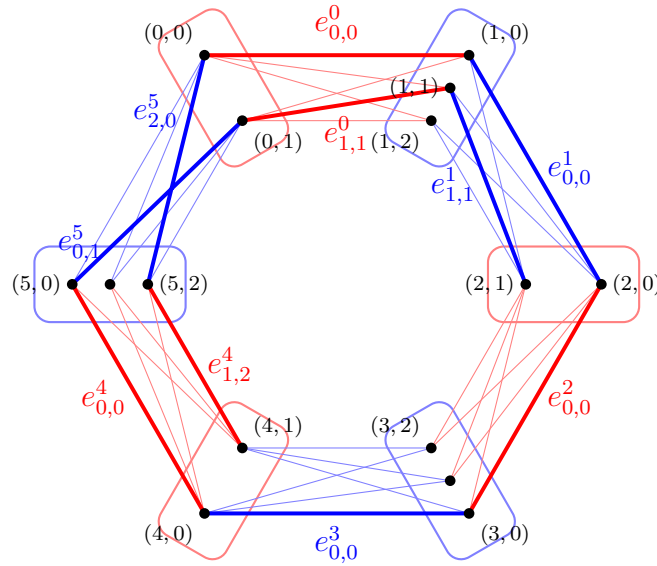


FIGURE 1. Graph $\Gamma = \mathbf{C}_{2r}[s\mathbf{K}_1, t\mathbf{K}_1]$ from Definition 4.6, with $r = 3, s = 2, t = 3$

Lemma 4.7. *With the notation of Definition 4.6, $\Gamma = \mathbf{C}_{2r}[s\mathbf{K}_1, t\mathbf{K}_1]$ is connected and is the graph in line 3 of Table 3, the maps g, y are automorphisms of Γ , and*

- (a) *$\langle g \rangle$ is cyclic of order rst , bi-transitive on V with orbits V_S, V_T , and bi-regular on E with orbits E_S, E_T ; also $\langle g, y \rangle \cong \mathbf{D}_{2rst}$ and is regular on E ;*
- (b) *further, for each positive integer λ , the graph $\Gamma^{(\lambda)}$, admits a cyclic subgroup $\mathbb{Z}_{rst\lambda}$, and a dihedral subgroup $\mathbf{D}_{2rst\lambda}$ of automorphisms that are both bi-transitive on vertices, and are bi-regular or regular on edges, respectively.*

Proof. It is straightforward to check that Γ is connected, and that Γ is the graph in line 3 of Table 3. Also g, y are bijections and it is straightforward, if tedious, to check that each of g, y preserves incidence. Hence $g, y \in \text{Aut}\Gamma$. First we consider repeated applications of g on the edge $e = e_{0,0}^0 = [(0, 0), e_{0,0}^0, (1, 0)] \in E_S$. Suppose that $e^{g^m} = e$. Now $e^{g^m} = e_{i,j}^{2m}$ for some $i \in S, j \in T$, reading the superscript $2m$ modulo $2r$, and this means, since $e^{g^m} = e$, that $m = r\ell$ for some integer ℓ . Now $e^{g^r} = [(0, 1), e_{1,1}^0, (1, 1)]$, and repeating this we find that $e^{g^{r\ell}} = [(0, \ell), e_{\ell,\ell}^0, (1, \ell)]$, where in the first entry we read ℓ modulo s , and in the third entry we read ℓ modulo t . Thus, again since $e^{g^{r\ell}} = e^{g^m} = e$, we conclude that ℓ is divisible by both s and t , and hence by st since $\gcd(s, t) = 1$. Thus m is a multiple of rst , and since $|E_S| = rst$ and g leaves E_S invariant it follows that the $\langle g \rangle$ -orbit containing e is E_S . A similar proof shows that the $\langle g \rangle$ -orbit containing $e_{0,0}^1$ is E_T , and it follows that $\langle g \rangle$ is bi-regular on E . Also the vertex-orbits of $\langle g \rangle$ are clearly V_S and V_T and we conclude that $\langle g \rangle$ has order rst , and is bi-transitive on V . This proves the first assertion.

Now we consider y . It follows from the previous paragraph that $y^2, (yg)^2 \in \text{Aut}\Gamma$. Again it is tedious, but not too difficult, to verify that both y^2 and $(yg)^2$ act trivially on the vertex set V , and hence each of them leaves invariant the edge subsets $E_{S,k} = \{e_{i,j}^{2k} \mid i \in S, j \in T\}$ and $E_{T,k} = \{e_{j,i}^{2k+1} \mid i \in S, j \in T\}$, for each $k = 0, \dots, r-1$. For a fixed k , since each vertex pair $\{(2k, i), (2k+1, j)\}$ (for $i \in S, j \in T$) is incident with a unique edge $e_{i,j}^{2k} \in E_{S,k}$, it follows that y^2 and $(yg)^2$ act trivially on $E_{S,k}$. Similarly y^2 and $(yg)^2$ act trivially on $E_{T,k}$, and since this holds for each k , it follows that $y^2 = (yg)^2 = 1$. Thus $yyg = g^{-1}$ and so

$\langle g, y \rangle \cong D_{2rst}$. Moreover, since y interchanges E_S and E_T it follows that $\langle g, y \rangle$ is regular on the edge set E . This completes the proof of part (a). Part (b) now follows immediately from Proposition 3.4(b). \square

4.3. Complete bipartite graphs. Next we study complete bipartite graphs, their λ -extenders, and constructions which combine complete bipartite graphs with circulants. First we establish the properties of these graphs occurring in Tables 1 and 3.

Definition 4.8. Let s, t be positive integers such that $st \geq 2$ and $\gcd(s, t) = 1$, and let $S = \mathbb{Z}_s, T = \mathbb{Z}_t$. Then $\Gamma = \mathbf{K}_{s,t} = (V, E)$ with $V = S \cup T$ and

$$E = \{[i, e_{i,j}, j] \mid i \in S, j \in T\}.$$

Define the map $g : V \cup E \rightarrow V \cup E$ as follows, for $i \in S, j \in T$:

$$g : i \rightarrow i + 1 \pmod{s}, \quad j \rightarrow j + 1 \pmod{t}, \quad e_{i,j} \rightarrow e_{i+1,j+1}.$$

Lemma 4.9. *With the notation of Definition 4.8 so in particular $\gcd(s, t) = 1$, the map g is an automorphism of $\Gamma = \mathbf{K}(s, t)$, and $\langle g \rangle \cong \mathbb{Z}_{st}$ is cyclic, bi-transitive on V with orbits S, T , and regular on E , and Γ is as in line 2 of Table 1. Further, the graph $\mathbf{K}(s, t)^{(2)}$ admits a cyclic subgroup of automorphisms that is bi-transitive on vertices, and bi-regular on edges, as in line 2 of Table 3.*

Proof. By definition both $g|_V$ and $g|_E$ are bijections, and g preserves incidence, so $g \in \text{Aut}\Gamma$. Also, since $\gcd(s, t) = 1$, $|g| = st$, and it follows that the cyclic group $\langle g \rangle$ is bi-transitive on V with orbits S, T , and regular on E . The fact that $\text{Aut}\mathbf{K}(s, t)^{(2)}$ has a cyclic subgroup bi-transitive on vertices, and bi-regular on edges follows on considering $\mathbf{K}(s, t)^{(2)}$ as an edge-disjoint union of two copies of $\mathbf{K}(s, t)$ on the same vertex set. \square

The next construction starts with a complete bipartite graph and adds a second set of edges incident with the vertices of one bipart which form a perfect matching or an edge-disjoint union of cycles (with multiple edges). These are the graphs in lines 4 and 6 of Table 3.

Definition 4.10. Let r, n, t be positive integers such that $rt \geq 1, n \geq 2$, and $\gcd(nr, t) = 1$, and let $V_1 = \mathbb{Z}_{rn}, V_2 = \mathbb{Z}_t$. Define a graph $\Gamma = \mathbf{CK}(r, n, t) = (V, E)$ with vertex-set $V = V_1 \cup V_2$, and edge-set $E = E_0 \cup E_1$ where

$$E_0 = \{[k, e_{k,j}, j] \mid k \in V_1, j \in V_2\}, \quad \text{and} \\ E_1 = \{[k, e_k^j, k+r] \mid k \in V_1, j \in V_2\}.$$

Define the map $g : V \cup E \rightarrow V \cup E$ as follows, for $k \in V_1, j \in V_2$:

$$g : \begin{array}{lll} k & \rightarrow & k + 1, & j & \rightarrow & j + 1 \\ e_{k,j} & \rightarrow & e_{k+1,j+1}, & e_k^j & \rightarrow & e_{k+1}^{j+1} \end{array}$$

Lemma 4.11. *With the notation of Definition 4.10 so in particular $\gcd(nr, t) = 1$, the graph $\Gamma = \mathbf{CK}(r, n, t)$ is connected and the map g is an automorphism of Γ , and $\langle g \rangle \cong \mathbb{Z}_{rnt}$ is cyclic, bi-transitive on V with orbits V_1, V_2 , and bi-regular on E with orbits E_0, E_1 . Further $\Gamma = [E_0] + [E_1]$, where $[E_0] = \mathbf{K}_{rn,t}$ and, if $n = 2$ then $[E_1] = r\mathbf{K}_2^{(2t)}$ as in line 4 of Table 3, while if $n \geq 3$ then $[E_1] = r\mathbf{C}_n^{(t)}$ as in line 6 of Table 3.*

Proof. It is clear that $\Gamma = [E_0] + [E_1]$ is connected and $[E_0] = \mathbf{K}_{rn,t}$. Further, if $n = 2$ then for each $k \in V_1, j \in V_2$, both e_k^j and e_{k+r}^j are incident with k and $k+r$, and hence $[E_1] = r\mathbf{K}_2^{(2t)}$. On the other hand if $n \geq 3$ then $[E_1] = r\mathbf{C}_n^{(t)}$, so the last assertions hold.

By definition, both $g|_V$ and $g|_E$ are bijections, and g preserves incidence, so $g \in \text{Aut}\Gamma$. Consider the action of g on E . First let $e = e_0^0 \in E_1$, and suppose that m is the least positive integer such that $e^{g^m} = e$. Now, by definition of g , $e^{g^m} = [m, e_m^m, m]$, where the first entry $m \in \mathbb{Z}_{rn}$ and the last entry $m \in \mathbb{Z}_t$. Thus, since $e^{g^m} = e$ the integer m is divisible by rn and t , and hence by rnt since $\gcd(rn, t) = 1$. On the other hand g^{rnt} fixes e and hence $m = rnt$ and as $|E_1| = rnt$ we conclude that $\langle g \rangle$ acts regularly on E_1 . A similar argument shows that $\langle g \rangle$ acts regularly on E_0 , and so $|g| = rnt$ and $\langle g \rangle$ is bi-transitive on V and bi-regular on E . \square

In a more general but similar construction, we start with an edge-disjoint union of complete bipartite graphs $u\mathbf{K}_{sr,t}$, and add a second set of edges incident with the vertices of the bipart of size usr , which form either a perfect matching of this bipart, or an edge-disjoint union of cycles. In this case no edge of the second edge-set is incident with two vertices of the same component $\mathbf{K}_{sr,t}$. These are the graphs in lines 5 and 7 of Table 3, and are depicted in Figure 2.

Definition 4.12. Let r, s, t, u be positive integers such that $u \geq 2$, and $\gcd(r, u) = \gcd(sr, t) = 1$, and let $V_1 = \mathbb{Z}_{sru}, V_2 = \mathbb{Z}_{ut}$. Define a graph $\Gamma = \mathbf{CK}_{(2)}(r, s, t, u) = (V, E)$ with vertex-set $V = V_1 \cup V_2$, and edge-set $E = E_0 \cup E_1$ where

$$E_0 = \{[i + uk, e_{i,k,j}, i + uj] \mid 0 \leq i \leq u - 1, 0 \leq k \leq sr - 1, 0 \leq j \leq t - 1\}, \quad \text{and}$$

$$E_1 = \{[\ell + rk, e_{\ell,k}^j, \ell + r(k + 1)] \mid 0 \leq \ell \leq r - 1, 0 \leq k \leq su - 1, 0 \leq j \leq t - 1\}.$$

Note that for edges in E_0 , we read the first entry as an element of \mathbb{Z}_{sru} and the third entry as an element of \mathbb{Z}_{ut} , while for edges in E_1 , the first and third entries are elements of \mathbb{Z}_{sru} . Define the map $g : V \cup E \rightarrow V \cup E$ as follows, for $k \in V_1, j \in V_2$:

$$\begin{aligned} g : \quad k &\rightarrow k + 1, \text{ and } j \rightarrow j + 1, \\ e_{i,k,j} &\rightarrow e_{i+1,k,j+1}, \\ e_{\ell,k}^j &\rightarrow e_{\ell+1,k}^{j+1}, \text{ if } 0 \leq \ell \leq r - 2, \text{ and } e_{r-1,k}^j \rightarrow e_{0,k+1}^{j+1} \end{aligned}$$

where in the edge-image $e_{i+1,k,j+1}$ we read $i + 1$ modulo u and $j + 1$ modulo t , and for the edge-image $e_{\ell+1,k}^{j+1}$ we read $\ell + 1$ modulo r and $j + 1$ modulo t .

Lemma 4.13. *With the notation of Definition 4.12, the graph $\Gamma = \mathbf{CK}_{(2)}(r, s, t, u)$ is connected and the map g is an automorphism of Γ , and $\langle g \rangle \cong \mathbb{Z}_{srut}$ is cyclic, bi-transitive on V with orbits V_1, V_2 , and bi-regular on E with orbits E_0, E_1 . Further $\Gamma = [E_0] + [E_1]$, where $[E_0] = u\mathbf{K}_{sr,t}$ and, if $(s, u) = (1, 2)$ then $[E_1] = r\mathbf{K}_2^{(2t)}$ as in line 5 of Table 3, and otherwise $su \geq 3$ and $[E_1] = r\mathbf{C}_{su}^{(t)}$ as in line 7 of Table 3.*

Proof. By definition $\Gamma = [E_0] + [E_1]$ and $[E_0] = u\mathbf{K}_{sr,t}$. Further, if $(s, u) = (1, 2)$, then for each ℓ, j , both $e_{\ell,0}^j$ and $e_{\ell,1}^j$ are incident with ℓ and $\ell + r$ in V_1 and hence $[E_1] = r\mathbf{K}_2^{(2t)}$. On the other hand if $(s, u) \neq (1, 2)$, then $su \geq 3$ and $[E_1] = r\mathbf{C}_{su}^{(t)}$, so the last assertions hold.

By definition, both $g|_V$ and $g|_E$ are bijections, and g preserves incidence, so $g \in \text{Aut}\Gamma$. Consider the action of g on E . First let $e = e_{0,0,0} \in E_0$, and suppose that m is the least positive integer such that $e^{g^m} = e$. By definition of g , $e^{g^m} = [m, e_{m,0,m}, m]$, where the first entry $m \in \mathbb{Z}_{sru}$ and the last entry $m \in \mathbb{Z}_{ut}$. Thus, since $e^{g^m} = e$ the integer m is divisible

by sru and ut , and hence by $\text{lcm}\{sru, ut\} = srut$ since $\text{gcd}(sr, t) = 1$. On the other hand g^{srut} fixes e and hence $m = srut$ and as $|E_0| = srut$ we conclude that $\langle g \rangle$ acts regularly on E_0 . Now let $e = [0, e_{0,0}^0, 0] \in E_1$, and suppose that $e^{g^m} = e$ with $m \geq 1$ minimal. By definition of g , $e^{g^m} = [m, e_{m,k}^m, m]$, for some k , where the first entry $m \in \mathbb{Z}_{sru}$ and the last entry $m \in \mathbb{Z}_{ut}$, and as before we deduce that $m = srut = |E_1|$ and that $\langle g \rangle$ acts regularly on E_0 . Thus $|g| = srut$ and $\langle g \rangle$ is bi-transitive on V and bi-regular on E . \square

Remark 4.14. We give some details about Figure 2, for the graph $\Gamma = \mathbf{CK}_{(2)}(r, s, t, u) = r\mathbf{C}_{su}^{(t)} + u\mathbf{K}_{sr,t}$ with $su \geq 3$, from Definition 4.12. The subset V_1 of vertices admits two $\langle g \rangle$ -invariant partitions: first $\{B_1, \dots, B_r\}$ where the B_i are the components of the edge-induced subgraph $[E_1] = r\mathbf{C}_{su}^{(t)}$, and second $\{C_1, \dots, C_u\}$ where the C_i are the intersections with V_1 of the components of $[E_0] = u\mathbf{K}_{sr,t}$. The vertex-subset V_2 admits the $\langle g \rangle$ -invariant partition $\{D_1, \dots, D_u\}$, where the D_i are the intersections with V_2 of the components of $[E_0] = u\mathbf{K}_{sr,t}$.

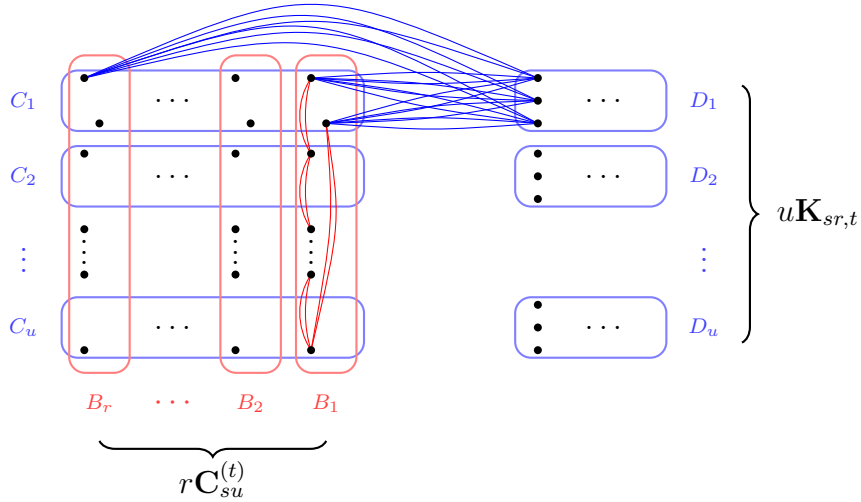


FIGURE 2. $\Gamma = r\mathbf{C}_{su}^{(t)} + u\mathbf{K}_{sr,t}$, where $[B_i] = \mathbf{C}_{su}^{(t)}$ and $[C_j \cup D_j] = \mathbf{K}_{sr,t}$

Each of the final family of graphs admitting a cyclic edge-bi-regular action involves three vertex-orbits. They are the graphs in the last line of Table 3, and Figure 3 gives a broad description of their structure, see Remark 4.17.

Definition 4.15. Let r, r', s, t, t', u be positive integers such that

$$\text{gcd}(r, r') = \text{gcd}(t, t') = \text{gcd}(sr, ut) = \text{gcd}(sr', ut') = 1,$$

and let $V_1 = \mathbb{Z}_{rut'}$, $V_2 = \mathbb{Z}_{srr'}$ and $V_3 = \mathbb{Z}_{r'ut}$. Define a graph $\Gamma = \mathbf{KK}(r, r', s, t, t', u) = (V, E)$ with vertex-set $V = V_1 \cup V_2 \cup V_3$, and edge-set $E = E_0 \cup E_1$ where

$$\begin{aligned} E_0 &= \{[i + r\ell, e_{i,\ell,k}^j, i + rk] \mid 0 \leq i \leq r - 1, 0 \leq \ell \leq ut' - 1, 0 \leq k \leq sr' - 1, \\ &\quad 0 \leq j \leq t - 1\}, \\ E_1 &= \{[i' + r'\ell', e_{i',\ell',k'}^{j'}, i' + r'k'] \mid 0 \leq i' \leq r' - 1, 0 \leq \ell' \leq ut - 1, 0 \leq k' \leq sr - 1, \\ &\quad 0 \leq j' \leq t' - 1\}. \end{aligned}$$

a	i	J	I	L	K
$\leq x - 2$	$\leq r - 2$	j	$i + 1$	ℓ	k
$\leq x - 2$	$r - 1$	j	$i + 1$	$\ell + 1$	$k + 1$
$x - 1$	$\leq r - 2$	$j + 1$	$i + 1$	ℓ	k
$x - 1$	$r - 1$	$j + 1$	$i + 1$	$\ell + 1$	$k + 1$
a'	i'	J'	I'	L'	K'
$\leq x' - 2$	$\leq r' - 2$	j'	$i' + 1$	ℓ'	k'
$\leq x' - 2$	$r' - 1$	j'	$i' + 1$	$\ell' + 1$	$k' + 1$
$x' - 1$	$\leq r' - 2$	$j' + 1$	$i' + 1$	ℓ'	k'
$x' - 1$	$r' - 1$	$j' + 1$	$i' + 1$	$\ell' + 1$	$k' + 1$

TABLE 8. Edge action for g in Definition 4.15

Note that the last entry in each edge lies in $V_2 = \mathbb{Z}_{srr'}$, while the first edge-entries lie in $V_1 = \mathbb{Z}_{rut'}$ for edges in E_0 , and in $V_3 = \mathbb{Z}_{r'ut}$ for edges in E_1 . For $c = 1, 2, 3$, each $v_c \in V_i$ can be written uniquely as follows:

$$\begin{aligned}
v_1 &= i + r\ell & \text{with} & \quad 0 \leq i \leq r - 1, \quad 0 \leq \ell \leq ut' - 1 \\
v_2 &= i + rk & \text{with} & \quad 0 \leq i \leq r - 1, \quad 0 \leq k \leq sr' - 1 \\
&= i' + r'k' & \text{with} & \quad 0 \leq i' \leq r' - 1, \quad 0 \leq k' \leq sr - 1 \\
v_3 &= i' + r'\ell' & \text{with} & \quad 0 \leq i' \leq r' - 1, \quad 0 \leq \ell' \leq ut - 1
\end{aligned}$$

We will define a map $g : V \cup E \rightarrow V \cup E$ so that the vertex action is given by $v_c \rightarrow v_c + 1$ where we evaluate the vertex image modulo rut' , srr' , $r'ut$ for $c = 1, 2, 3$ respectively. To define the g -action on edges, set $x := rr'sut'$ and $x' := rr'sut$, so that $|E_0| = xt$ and $|E_1| = x't'$. Then for $e_{i,\ell,k}^j \in E_0$ with i, ℓ, k, j in the ranges above, we have

$$1 \leq (i + r\ell + 1)(k + 1)(j + 1) \leq (rut')(sr')t = xt = |E_0|,$$

and similarly, for $e_{i',\ell',k'}^{j'} \in E_1$, we have

$$1 \leq (i' + r'\ell' + 1)(k' + 1)(j' + 1) \leq (r'ut)(sr)t' = x't' = |E_1|.$$

Then, writing $(i + r\ell + 1)(k + 1)(j + 1) = ax + b$ and $(i' + r'\ell' + 1)(k' + 1)(j' + 1) = a'x' + b'$, with $0 \leq a \leq t - 1$, $1 \leq b \leq x$, $0 \leq a' \leq t' - 1$ and $1 \leq b' \leq x'$, we define the g -action by

$$g : e_{i,\ell,k}^j \rightarrow e_{I,L,K}^J \quad \text{and} \quad e_{i',\ell',k'}^{j'} \rightarrow e_{I',L',K'}^{J'}$$

where I, J, K, L and I', J', K', L' are as in Table 8.

Lemma 4.16. *With the notation of Definition 4.15, the graph $\Gamma = \mathbf{KK}(r, r', s, t, t', u)$ is connected, and $\Gamma = [E_0] + [E_1]$, where $[E_0] = r\mathbf{K}_{sr',ut'}^{(t)}$ and $[E_1] = r'\mathbf{K}_{sr,ut}^{(t')}$ as in the last line of Table 3. Further the map $g \in \text{Aut}\Gamma$, and $\langle g \rangle$ is cyclic of order $srr'utt'$, with three vertex-orbits V_1, V_2, V_3 , and is bi-regular on E with orbits E_0, E_1 .*

Proof. By definition $\Gamma = [E_0] + [E_1]$ and $[E_0] = r\mathbf{K}_{sr',ut'}^{(t)}$ and $[E_1] = r'\mathbf{K}_{sr,ut}^{(t')}$, so the first assertion holds. Further, it follows from the definition of g that both $g|_V$ and $g|_E$ are bijections, and g preserves incidence, so $g \in \text{Aut}\Gamma$. Consider the action of g on E . First let $e = e_{0,0,0}^0 \in E_0$, and suppose that m is the least positive integer such that $e^{g^m} = e$. It follows from Table 8, that after xt repeated applications of g , we have $e^{g^{xt}} = e_{xt,y,y}^t$ where $y = sr'ut'$, and as y is divisible by both ut' and sr' , this edge-image is equal to e . Thus

g^{xt} fixes e and so m divides xt . Suppose for a contradiction that $0 < m < xt$. Then m is of the form $m = cx + d$ where $0 \leq c \leq t - 1$ and $0 \leq d \leq x - 1$, and $e = e^{g^m} = e_{m,v,w}^c$, for some v, w . This implies that c is a multiple of t and hence $c = 0$, so $0 < m < x$. Now, with $y = sr'ut'$ so $x = ry$, we write $m = c'r + d'$ with $0 \leq c' \leq y - 1$ and $0 \leq d' \leq r - 1$. Then $e = e^{g^m} = e_{d',c',c'}^0$, and this implies that $d' = 0$ and that c' is divisible by both ut' and sr' . Since $\gcd(sr', ut') = 1$, we deduce that c' is divisible by $\text{lcm}\{sr', ut'\} = sr'ut' = y$, and hence $c' = 0$ so $m = 0$, a contradiction. Thus $m = xt$ and $\langle g \rangle$ acts regularly on E_0 .

An analogous argument for the edge $e_{0,0,0}^0 \in E_1$ shows that $\langle g \rangle$ also acts regularly on E_1 , and as $|E_0| = |E_1| = xt = x't'$, the subgroup $\langle g^{xt} \rangle$ fixes $V \cup E$ pointwise, and hence is trivial. Thus $\langle g \rangle$ is edge-bi-regular, and the proof is complete. \square

Remark 4.17. *Figure 3 gives a description of the structure of the graph*

$$\Gamma = \mathbf{K}\mathbf{K}(r, r', s, t, t', u) = r\mathbf{K}_{sr',ut'}^{(t)} + r'\mathbf{K}_{sr,ut}^{(t')}$$

from Definition 4.15. The vertex-subset V_2 admits two $\langle g \rangle$ -invariant partitions: first the partition $\{B_1, \dots, B_r\}$ where the B_i are the intersections with V_2 of the components of $[E_0] = r\mathbf{K}_{sr',ut'}^{(t)}$, and second $\{C_1, \dots, C_{r'}\}$ where the C_i are the intersections with V_2 of the components of $[E_1] = r'\mathbf{K}_{sr,ut}^{(t')}$. The vertex-subsets V_1, V_3 admit the $\langle g \rangle$ -invariant partitions $\{U_1, \dots, U_r\}$ and $\{W_1, \dots, W_{r'}\}$, where the U_i and W_i are the intersections with V_1, V_3 of the components of $[E_0], [E_1]$, respectively.

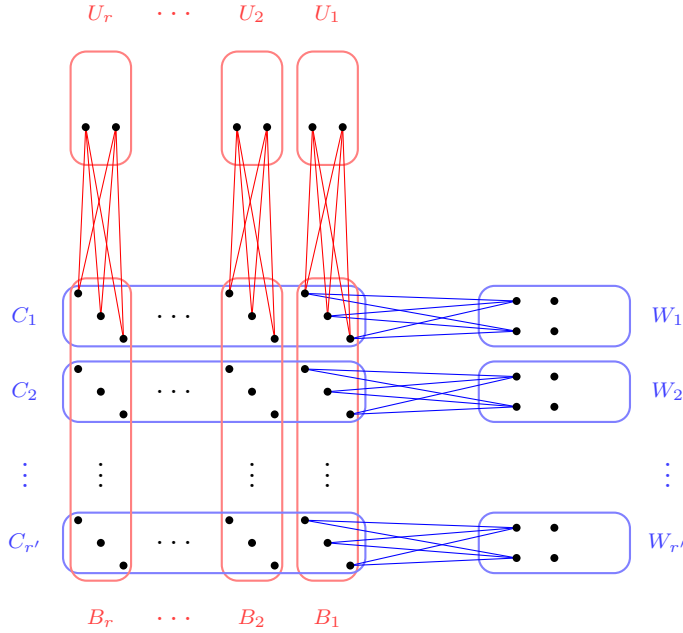


FIGURE 3. $\Gamma = r\mathbf{K}_{sr',ut'}^{(t)} + r'\mathbf{K}_{sr,ut}^{(t')}$, where $[B_i \cup U_i] = \mathbf{K}_{sr',ut'}^{(t)}$ and $[C_j \cup W_j] = \mathbf{K}_{sr,ut}^{(t')}$.

5. COSET GRAPHS AND CYCLIC EDGE-REGULAR ACTIONS

In [4, Section 1.1], a new coset graph construction was given for arc-transitive, not necessarily simple, graphs, which proved helpful for analysing such graphs. Here we develop

a similar theory of coset graph representations for edge-transitive bipartite graphs with two vertex-orbits. It extends the theory in [1, Section 2] and [3, Section 3.2] for simple graphs of this kind. We use this theory in Subsection 5.1 to prove Theorem 1.1 in the case of edge-regular actions.

Construction 5.1. Let G be a group with proper subgroups L, R, J , such that $L \neq R$, $J \leq L \cap R$ and J is core-free in G , and let $\lambda := |L \cap R : J|$. Define an incidence structure $\text{BiCos}(G, L, R, J) = (V, E, \mathbf{I})$, called a *bi-coset graph*, by setting

$$\begin{aligned} V &= [G : L] \cup [G : R] = \{Lx \mid x \in G\} \cup \{Rx \mid x \in G\} \\ E &= [G : J] = \{Jx \mid x \in G\} \\ \mathbf{I} &= \{(Lx, Jy) \mid Lx \cap Jy \neq \emptyset\} \cup \{(Rx, Jy) \mid Rx \cap Jy \neq \emptyset\} \subseteq V \times E. \end{aligned}$$

Also set $s := |L : L \cap R|$ and $t := |R : L \cap R|$.

We prove that $\text{BiCos}(G, L, R, J)$ is a G -edge-transitive bipartite graph and obtain various of its other properties.

Proposition 5.2. *Let $G, L, R, J, \lambda, s, t$ be as in Construction 5.1, and denote the graph $\text{BiCos}(G, L, R, J)$ by Γ .*

- (a) *For $x, y, z \in G$, $Jy = [Lx, Jy, Rz]$ is an edge if and only if $Jy = [Ly, Jy, Ry]$, (that is, $Lx = Ly$ and $Rz = Ry$). Thus the edges of Γ are precisely $Jy = [Ly, Jy, Ry]$, for $y \in G$.*
- (b) *Then Γ is a bipartite graph which is bi-regular with valencies k, ℓ , and constant edge-multiplicity λ .*
- (c) *The group G , acting by right-multiplication, is an edge-transitive group of automorphisms of Γ with vertex-orbits $[G : L]$ and $[G : R]$, and L, R, J are the stabilisers of the vertices L, R and edge J , respectively.*
- (d) *The base graph of Γ is $\Gamma_0 := \text{BiCos}(G, L, R, L \cap R)$, and $\Gamma = \Gamma_0^{(\lambda)}$. In particular Γ is simple if and only if $L \cap R = J$.*
- (e) *The graph Γ is connected if and only if $G = \langle L, R \rangle$; and $\Gamma \cong K_{s,t}^{(\lambda)}$ if and only if $G = LR$.*

Proof. (a) Let $x, y, z \in G$. Then $Jy = [Lx, Jy, Rz]$ is an edge if and only if $(Lx, Jy \in \mathbf{I}$ and $(Rz, Jy) \in \mathbf{I}$, that is, $Lx \cap Jy \neq \emptyset$ and $Rz \cap Jy \neq \emptyset$. This in turn is equivalent to $Lxy^{-1} \cap J \neq \emptyset$ and $Rzy^{-1} \cap J \neq \emptyset$, and since $J \leq L \cap R$, this is equivalent to $xy^{-1} \in L$ and $zy^{-1} \in R$, that is to say $Lx = Ly$ and $Rz = Ry$ so $Jy = [Ly, Jy, Ry]$.

(b) and (c). It is clear from the definition of Γ that $[G : L]$ and $[G : R]$ form the parts of a bipartition of Γ and each edge is incident with one vertex from each of these sets. Also, the group G , acting by right-multiplication, preserves the incidence relation \mathbf{I} so induces a group of automorphisms of Γ . The biparts $[G : L]$ and $[G : R]$ are the two G -vertex-orbits, and by part (a), G is transitive on edges. The subgroups L, R, J are the stabilisers of vertices L, R and edge J respectively, and since J is core-free in G , G acts faithfully on Γ . These transitivity properties imply that Γ is biregular with each vertex of $[G : L]$ incident with $|L : L \cap R| = s$ vertices and each vertex of $[G : R]$ incident with $|R : L \cap R| = t$ vertices, and that Γ has constant edge-multiplicity $\lambda = |L \cap R : J|$ (the number of edges incident with L and R).

(d) From the discussion in the previous paragraph it is clear that the base graph Γ_0 of Γ has edge set identified with $[G : L \cap R]$ and is precisely the graph $\text{BiCos}(G, L, R, L \cap R)$, and that Γ is a λ -extender of Γ_0 .

(e) Now Γ is connected if and only if Γ_0 is connected, and the latter is true if and only if $G = \langle L, R \rangle$, by [3, Lemma 3.7(1)]. Assume now that $G = LR$. Then as R is the stabiliser of the vertex $R \in [G : R]$ it follows that L is transitive on $[G : R]$ and similarly R is transitive on $[G : L]$. Thus L, R is adjacent to each vertex of $[G : R], [G : L]$, respectively and it follows that $\Gamma_0 \cong K_{s,t}$ and $\Gamma \cong K_{s,t}^{(\lambda)}$. Conversely suppose that $\Gamma \cong K_{s,t}^{(\lambda)}$. Then $\Gamma_0 \cong K_{s,t}$, and as G is edge-transitive, the vertex-stabiliser L is transitive on the set $[G : R]$ of vertices adjacent to L . Then, since R is the stabiliser of $R \in [G : R]$ this means that $G = RL = LR$. \square

Next we show that essentially all edge-transitive graphs with two vertex-orbits arise from Construction 5.1.

Proposition 5.3. *Let $\Gamma = (V, E, \mathbf{I})$ be a graph and $G \leq \text{Aut}\Gamma$ such that G is transitive on E and has two orbits V_1, V_2 in V , and Γ has no isolated vertices, and constant edge-multiplicity λ . Then either*

- (a) $\Gamma \cong \text{BiCos}(G, L, R, J)$ where for some edge $e = [\alpha, e, \beta]$ of Γ , the subgroups L, R, J are the stabilisers of α, β, e respectively, and $|L \cap R : J| = \lambda$; or
- (b) $\Gamma \cong rK_2^{(\lambda)}$, where $r = |V_1| = |V_2|$.

Proof. If some edge e of Γ is incident with two distinct vertices of V_i , for some i , then this is true for all edges since Γ is G -edge transitive and G leaves V_i invariant. This is a contradiction since Γ has no isolated vertices. Hence each edge is incident with one vertex from V_1 and one from V_2 . Let $e = [\alpha, e, \beta]$ be an edge with $\alpha \in V_1$ and $\beta \in V_2$, and let $L = G_\alpha, R = G_\beta$ and $J = G_e$. Then we may identify the sets V_1, V_2, E with $[G : L], [G : R], [G : J]$, respectively, with G acting by right multiplication. Note that G_e fixes the unique vertex of V_i with which it is incident, for each i , and so $J = G_e \leq G_\alpha \cap G_\beta = L \cap R$. With this identification, the edge $e = [L, J, R]$ and each edge can be expressed as $e^y = [Ly, Jy, Ry]$ for some $y \in G$ (since G is transitive on E). Thus Lx is incident with Jz if and only if there exists y such that $Lx = Ly$ and $Jz = Jy$, and hence $Lx \cap Jz$ contains y so is non-empty. Conversely, if $Lx \cap Jz$ contains an element y , then $Lx = Ly$ and $Jz = Jy$. Similar statements hold for incidences between Jx and Rz . Thus, provided $L \neq R$, we see that, under these identifications we have $\Gamma = \text{BiCos}(G, L, R, J)$ and part (a) holds.

Finally suppose that $L = R$. Since G is transitive on E , L is transitive on the edges incident with α , and since $L = R$ fixes β this means that all of these edges are incident with β . Thus the connected component of Γ induced on $\{\alpha, \beta\}$ is $K_2^{(\lambda)}$, and we have $\Gamma \cong rK_2^{(\lambda)}$, where $r = |V_1| = |V_2|$, as in (b). \square

5.1. Graphs admitting cyclic edge-transitive groups. We use the theory in the previous subsection, to determine all graphs admitting a cyclic subgroup of automorphisms that is regular on edges. First we consider connected graphs. We assume that $|V| \geq 3$, in the light of Proposition 2.2.

Theorem 5.4. *Let $\Gamma = (V, E, \mathbf{I})$ be a connected graph with $|V| \geq 3$, let $G \leq \text{Aut}\Gamma$ be a cyclic subgroup acting regularly on E , and let Γ have edge-multiplicity λ . Then Γ and $|G|$ are as in one of the lines of Table 9, and the induced permutation groups G^X on vertices ($X = V$), edges ($X = E$) and arcs ($X = A$) are transitive if the entry in the column headed G^X is \surd and intransitive if the entry is \times .*

Γ	$ G $	G^V	G^E	G^A	Conditions
$\mathbf{C}_n^{(\lambda)}$	$n\lambda$	\checkmark	\checkmark	\times	$n \geq 3$
$\mathbf{K}_{s,t}^{(\lambda)}$	$st\lambda$	\times	\checkmark	\times	$\gcd(s, t) = 1, st > 1$

TABLE 9. Table for Theorem 5.4

Proof. Since $|V| \geq 3$ we have $\Gamma \not\cong \mathbf{K}_2^{(\lambda)}$, and since Γ is connected and G -edge-transitive, G has at most two orbits in V . Suppose first that G has two vertex-orbits, V_1 and V_2 . Then by Proposition 5.3, $\Gamma = \text{BiCos}(G, L, R, J)$ with $L = G_\alpha, R = G_\beta, J = G_e$ for some edge $e = [\alpha, e, \beta]$. It follows from Proposition 5.2(e) that $G = \langle L, R \rangle$, and since G is cyclic this means that $G = LR$ and hence that $\Gamma = \mathbf{K}_{k,\ell}^{(\lambda)}$, where $s = |L : L \cap R|$ and $t = |R : L \cap R|$, and $st > 1$ since $\Gamma \not\cong \mathbf{K}_2^{(\lambda)}$. Also $L \cap R$ acts trivially on V and the edge-stabiliser J acts trivially on E (since G is abelian), and hence $J = 1$ by Lemma 2.1. Thus $|G| = |E| = st\lambda$, and $|L \cap R| = \lambda$. Now we have $|L| = s\lambda$ and $|R| = t\lambda$ and so $|G| = |LR| = \text{lcm}\{s\lambda, t\lambda\} = \lambda \text{lcm}\{s, t\}$, and hence $st = \text{lcm}\{s, t\}$, that is, $\gcd(s, t) = 1$. Thus all the entries of line 2 of Table 9 hold.

We may now assume that G is transitive on V as well as on E . Suppose that G is not transitive on arcs. Then the stabiliser of an edge $e = [\alpha, e, \beta]$ satisfies $G_e = 1$, and $|G| = |E|$. Also, the stabiliser G_α is normal in G since G is abelian, and so G_α acts trivially on V . This implies that $G_\alpha = G_\beta$ and so G_α is transitive on the λ edges incident with α and β . Since $G_e = 1$ and $G_e \leq G_{\alpha,\beta} = G_\alpha$, we have $|G_\alpha| = \lambda$, and $n := |V| = |G : G_\alpha|$ so $|G| = n\lambda$, and note that $n = |V| \geq 3$. Let Γ_0 be the base graph of Γ so $\Gamma = \Gamma_0^{(\lambda)}$. Then G/G_α acts transitively on the vertices and edges of Γ_0 , and Γ_0 has $|E|/\lambda = n = |V|$ edges and also n vertices. These properties imply that Γ_0 has valency 2 and hence is a cycle of length n . Hence $\Gamma = \mathbf{C}_n^{(\lambda)}$ and $n \geq 3$, so all the entries of line 1 of Table 9 hold.

Suppose finally that G is transitive (hence regular) on the arcs of Γ . Then the stabiliser G_e of an edge $e = [\alpha, e, \beta]$ contains an element g which interchanges α and β . Now $G_e \cap G_\alpha$ acts trivially on both V and E (since G is abelian and transitive on V and E), and hence $G_e \cap G_\alpha = 1$. Thus $G_e = \langle g \rangle \cong Z_2$. Moreover, $g \notin G_\alpha$, but g normalises G_α (since G is abelian) and $G = \langle G_\alpha, g \rangle$ (since Γ is connected). Thus $|V| = |G : G_\alpha| = 2$, which is a contradiction. \square

Now we use this classification to determine all graphs with no isolated vertices which admit a cyclic subgroup of automorphisms regular on edges. Such graphs have constant edge-multiplicity.

Corollary 5.5. *Let $\Gamma = (V, E, \mathbf{I})$ be a graph with no isolated vertices, and constant edge-multiplicity λ , and let $G \leq \text{Aut}\Gamma$ be a cyclic subgroup transitive on E . Then*

- (a) $\Gamma = r\Gamma_0$ where Γ has r connected components, each isomorphic to Γ_0 , and
- (b) for G_0 the setwise stabiliser in G of a component Γ_0 , $|G| = r|G_0|$, and either $\Gamma_0 = \mathbf{K}_2^{(\lambda)}$, or $(\Gamma_0, |G_0|)$ is as in one of the lines of Table 9, and Γ_0 is as in one of the lines of Table 1.

Proof. The result follows from Theorem 5.4 if Γ is connected, so suppose that Γ has $r \geq 2$ connected components $\Sigma_1, \dots, \Sigma_r$, and let E_i be the edge-set of Σ_i , for $1 \leq i \leq r$. Since G is edge-transitive it follows that $\Gamma_0 := \Sigma_1 \cong \dots \cong \Sigma_r$, so $\Gamma = r\Gamma_0$, and $\{E_1, \dots, E_r\}$ forms a G -invariant partition of E . Then since G is cyclic, it induces a regular action on $\{E_1, \dots, E_r\}$, and the unique subgroup G_0 of index r in G is the setwise stabiliser of E_i for

each i . Also G_0 is transitive on each E_i and G_0 is cyclic, and hence the unique subgroup J of G_0 of index $|E_i|$ is the stabiliser of each edge of each of the E_i . That is to say, J is the kernel of the action of G on E . It follows from Lemma 2.1 that either $J = 1$, or $\Gamma_0 = \mathbf{K}_2^{(\lambda)}$. Thus we may assume that $J = 1$. In particular G_0 acts edge-regularly and faithfully as a cyclic group of automorphisms of Σ_i , for each i . Then by Theorem 5.4, $(\Gamma_0, |G_0|)$ is as in one of the lines of Table 9, and so Γ_0 is as in one of the lines of Table 1. \square

6. PROOF OF THEOREM 1.1

In this section we complete the proof of Theorem 1.1. Let $\Gamma = (V, E)$ be a connected graph with $|V| \geq 3$, and assume that $G \leq \text{Aut}\Gamma$ is a cyclic subgroup which is regular or bi-regular on the edge set E . In particular Γ has no isolated vertices. If G is regular on E then the possibilities for (Γ, G) are determined in Theorem 5.4 and (see Corollary 5.5(b)) Γ is as in one of the lines of Table 1. So we may assume that G is bi-regular on E , with two edge orbits E_0, E_1 of equal size. Let

$$\Pi_i = [E_i] = (V(E_i), E_i), \text{ where } i = 0 \text{ or } 1$$

be the induced subgraphs. Then Π_0, Π_1 are edge disjoint graphs, and by our convention, $\Gamma = \Pi_0 + \Pi_1$. By the definition of an induced subgraph, Π_i has no isolated vertices, and by the definition of bi-regular, G induces an edge-regular action on Π_i for each i . Hence by Corollary 5.5, the following holds for each of $i = 0$ or 1 . The graph $\Pi_i = r_i \Sigma_i$, where Π_i has r_i connected components, each isomorphic to Σ_i , and for H_i the setwise stabiliser in G of a component Σ_i , $|G| = r_i |H_i|$, and one of

- (1) $\Sigma_i = \mathbf{C}_{n_i}^{(\lambda_i)}$, and $H_i = \mathbb{Z}_{n_i \lambda_i}$ is transitive on $V(E_i)$, for some $n_i \geq 3, \lambda_i \geq 1$; or
- (2) $\Sigma_i = \mathbf{K}_{s_i t_i}^{(\lambda_i)}$, and $H_i = \mathbb{Z}_{s_i t_i \lambda_i}$ is bi-transitive on $V(E_i)$, with $s_i t_i > 1$ and $\gcd(s_i, t_i) = 1, \lambda_i \geq 1$; or
- (3) $\Sigma_i = \mathbf{K}_2^{(\lambda_i)}$, and by Proposition 2.2, one of lines 1–3 of Table 5 holds for H_i .

It follows from the above discussion (and Corollary 5.5) that G has at most two orbits in $V(E_i)$ for each i , and since Γ is connected, the sets $V(E_0)$ and $V(E_1)$ are not disjoint. Thus $V(E_0)$ and $V(E_1)$ share at least one G -orbit, and hence G^V has at most three orbits. We show that Γ and $|G|$ are as in one of the cases of Theorem 1.1 in the following three subsections, according to the number of G -orbits in V .

6.1. The case where G^V is transitive. Suppose in this subsection that G^V is transitive, so $V = V(E_i)$ for each i .

Assume first that $\Pi_0 = r_0 \mathbf{K}_2^{(\lambda_0)}$. Then, by Proposition 2.2, line 1 or 2 of Table 5 holds, so either (i) $|G| = 2|E_0| = 2r_0 \lambda_0$ with λ_0 odd, and the G -action on Π_0 is arc-transitive, or (ii) $|G| = |E_0| = r_0 \lambda_0$ with λ_0 even and G is faithful on E_0 and not arc-transitive on Π_0 . In either case $|G|$ is even, so G has a unique subgroup X of order 2, and the X -orbits in V are the components of Π_0 . Suppose to start with that $\Pi_1 = r_1 \mathbf{K}_2^{(\lambda_1)}$. Then $|V| = 2r_0 = 2r_1$ so $r_0 = r_1$, and $|E_i| = r_0 \lambda_0 = r_1 \lambda_1$ (by definition, since G is biregular on E), so also $\lambda_0 = \lambda_1 = \lambda$, say, and $|G| = 2r_1 \lambda$ or $r_1 \lambda$ according as λ is odd or even, respectively. It follows that the X vertex-orbits are also the connected components of Π_1 , so a connected component of Γ has size 2. Since Γ is connected this implies that $|V| = 2$, which is a contradiction. Hence $\Pi_1 \neq r_1 \mathbf{K}_2^{(\lambda_1)}$. This implies in particular that G acts faithfully on E_1 (by Lemma 2.1). Thus $|G| = |E_1|$ since G is abelian, and therefore, since $|E_0| = |E_1|$ as G is bi-regular on E , we have $|G| = |E_0|$ so (ii) above holds, that is, $|G| = r_0 \lambda_0, \lambda_0$ is

even, and G is faithful on E_0 . Also, since $\Pi_1 \neq r_1 \mathbf{K}_2^{(\lambda_1)}$ and G^V is transitive, it follows from Corollary 5.5 that $\Pi_1 = r_1 \mathbf{C}_{n_1}^{(\lambda_1)}$ for some $n_1 \geq 3$. Then $|V| = 2r_0 = r_1 n_1$, and $|E_i| = r_0 \lambda_0 = r_1 n_1 \lambda_1$, so $\lambda_0 = 2\lambda_1$.

Suppose that X fixes a Π_1 -component Σ setwise. Then $V(\Sigma)$ is a union of (the vertex-sets of) some components of Π_0 , and since Γ is connected it follows that $\Pi_1 = \Sigma$, so $V = V(\Sigma)$, $r_1 = 1$ and $n_1 = 2r_0$ is even. Moreover the two vertices of each component $\mathbf{K}_2^{(\lambda_0)}$ of Π_0 form an antipodal pair of vertices of $\Pi_1 = \mathbf{C}_{n_1}^{(\lambda_1)}$, and X interchanges this vertex-pair and interchanges in pairs the $\lambda_0 = 2\lambda_1$ edges of Π_0 incident with them. Thus, setting $\lambda := \lambda_1$ and $n := n_1/2$, we have $\Gamma = \Gamma_0^{(\lambda)}$ with $|G| = 2n\lambda$ and Γ_0 the Cayley graph $\Gamma(2n, 1, n) = \mathbf{C}_{2n} + n\mathbf{K}_2^{(2)}$ of Corollary 4.5(a), and line 2 of Table 2 holds.

On the other hand, suppose that X interchanges the components of Π_1 in pairs. Then r_1 is even and the two vertices of a component $\mathbf{K}_2^{(\lambda_0)}$ of Π_0 lie in two distinct components of Π_1 . Further, the union of these two distinct components of Π_1 is also a union of n_1 components of Π_0 and hence forms a component of Γ . Since Γ is connected we conclude that $r_1 = 2$ and $r_0 = n_1 = n$, say. Again the group X interchanges the two Π_1 -components $\mathbf{C}_n^{(\lambda)}$, where $\lambda := \lambda_1$, and for each component $\mathbf{K}_2^{(2\lambda)}$ of Π_0 , X interchanges the 2λ edges in pairs. Since G is cyclic and transitive on the $2n = |V|$ vertices of Γ , and since the index 2 subgroup of G stabilising a component of Π_1 is transitive on the n vertices of that component, it follows that n is odd, and hence $|G| = 2n\lambda$ and $\Gamma = \Gamma_0^{(\lambda)}$ with Γ_0 the Cayley graph $\Gamma(2n, 2, n) = 2\mathbf{C}_n + n\mathbf{K}_2^{(2)}$ of Corollary 4.5(b), and line 2 of Table 2 holds.

Thus we may assume from now on that no component of either Π_0 or Π_1 is $\mathbf{K}_2^{(\lambda)}$ for any λ . Then by Corollary 5.5, since G^V is transitive, each $\Pi_i = r_i \mathbf{C}_{n_i}^{(\lambda_i)}$ for some $n_i \geq 3$. Thus $|V| = r_1 n_1 = r_0 n_0$ and $|E_1| = |E_0| = r_1 n_1 \lambda_1 = r_0 n_0 \lambda_0$, and hence in particular $\lambda_1 = \lambda_0$. This means that $\Gamma = \Gamma_0^{(\lambda_0)}$ and $\Pi_i = \Phi_i^{(\lambda_0)}$, for graphs Φ_i with edge-multiplicity 1 admitting a cyclic vertex-transitive group H (induced by G) of order $n := r_1 n_1 = r_0 n_0$. Thus H is bi-regular on the edge-set of Γ_0 with orbits the edge-sets of Φ_0 and Φ_1 . This means that each Φ_i may be regarded as a simple Cayley graph for the cyclic group H . If as simple graphs, the edges sets of Φ_0 and Φ_1 coincide then, since Γ is connected, $r_1 = r_0 = 1$ and $n = n_0 = n_1$, and setting $\lambda := \lambda_0$, $\Gamma = \text{Circ}(n, \{1, -1\})^{(2\lambda)} = \mathbf{C}_n^{(2\lambda)}$, with $G = \mathbb{Z}_{n\lambda}$ acting with two edge orbits E_0 and E_1 . Thus $\Gamma = \Gamma_0^{(\lambda)}$, with $\Gamma_0 = \mathbf{C}_n^{(2)}$ and $|G| = n\lambda$, and line 1 of Table 2 holds.

If this is not the case then the edge sets of Φ_0 and Φ_1 are disjoint (as they are G -orbits), and hence $\Gamma_0 = \text{Circ}(n, S)$, where $S = \{a, -a, b, -b\} \subset \mathbb{Z}_n \setminus \{0\}$ with $\Phi_0 = \text{Circ}(n, \{a, -a\})$ and $\Phi_1 = \text{Circ}(n, \{b, -b\})$, for some a, b with $|a| \geq 3, |b| \geq 3, a \neq \pm b$, (see Section 4.1). Since Γ , and hence also Γ_0 is connected it follows (as in the proof of Lemma 4.4) that $\gcd(n, a, b) = 1$, and hence, setting $\lambda := \lambda_1 = \lambda_0$, $\Gamma = \Gamma_0^{(\lambda)}$, where $\Gamma_0 = \text{Circ}(n, \{a, -a, b, -b\})$ and $|G| = n\lambda$ as in line 6 of Table 2 (see Lemma 4.4).

This proves Theorem 1.1 for cyclic vertex-transitive, edge-bi-regular actions.

6.2. The case where G^V has two orbits. In this subsection we assume that G has two orbits V_1, V_2 on vertices. Suppose first that $V = V(E_i)$ for each i . Then G acts faithfully on each E_i . Assume that $\Pi_0 = r_0 \mathbf{K}_2^{(\lambda_0)}$, so by Proposition 2.2, $|V| = 2r_0$, $|G| = |E_0| = |E_1| = r_0 \lambda_0$, and each of the two G -orbits in V has size r_0 . We claim that also $\Pi_1 = r_1 \mathbf{K}_2^{(\lambda_1)}$. If this is not the case then, by Corollary 5.5, $\Pi_1 = r_1 \mathbf{K}_{s,t}^{(\lambda_1)}$ with $\gcd(s, t) = 1$ and $st > 1$. However this means that the G -vertex-orbits have unequal sizes $r_1 s$ and $r_1 t$,

which is a contradiction. Hence $\Pi_1 = r_1 \mathbf{K}_2^{(\lambda_1)}$, and so $|V| = 2r_1$. Thus $r_0 = r_1 = r$, say, and $|E_1| = r_1 \lambda_1$ so $\lambda_0 = \lambda_1 = \lambda$, say. If some Π_0 -component is also a Π_1 -component, then $r = 1$ since Γ is connected, and $|V| = 2$, which is a contradiction. Thus no Π_0 -component is equal to a Π_1 -component. Hence $\Gamma = \Gamma_0^{(\lambda)}$, and the graph Γ_0 is connected (since Γ is connected) with edge-multiplicity 1, and valency 2 (since each vertex is adjacent to exactly one vertex by an edge from a Π_i -component, for each i). Thus $\Gamma_0 = \mathbf{C}_n$, where $n = r_0 + r_1 = 2r$, and the group G induces a cyclic subgroup $H \leq \text{Aut}\Gamma_0$ of order $n/2 = r$ with two vertex-orbits and two edge-orbits. Thus, as in Lemma 4.2, $\Gamma = \mathbf{C}_n^{(\lambda)}$, with n even, $\Pi_0 \cong \Pi_1 \cong (n/2) \mathbf{K}_2^{(\lambda)}$ and $|G| = n\lambda/2$, and line 1 of Table 3 holds for Γ_0 .

Therefore, in the case where $V = V(E_i)$ for each i , we may assume that neither of the Π_i has a component $\mathbf{K}_2^{(\lambda)}$ for any λ . It follows from Corollary 5.5 that, for each i , $\Pi_i = r_i \mathbf{K}_{s_i, t_i}^{(\lambda_i)}$ with $\gcd(s_i, t_i) = 1$ and $s_i t_i > 1$. Without loss of generality we may assume that the G -vertex-orbits V_1, V_2 have sizes $|V_1| = r_0 s_0 = r_1 s_1$ and $|V_2| = r_0 t_0 = r_1 t_1$. Also we have $r_0 s_0 t_0 \lambda_0 = |E_0| = |E_1| = r_1 s_1 t_1 \lambda_1$. Let Σ_1 be a Π_1 -component. Suppose first that, for some vertices $u_i \in V_i \cap V(\Sigma_1)$, for $i = 1, 2$, there exists an edge $e_0 = [u_1, e_0, u_2] \in E_0$. Since $\Sigma_1 = \mathbf{K}_{s_1, t_1}^{(\lambda_1)}$, we also have an edge $e_1 = [u_1, e_1, u_2] \in E_1$, and by the transitivity of G on E_0 and E_1 , it follows that $V(\Sigma_1)$ is contained in the vertex-set of a Π_0 -component Σ_0 , and the same argument gives $V(\Sigma_0) \subseteq V(\Sigma_1)$, yielding equality $V(\Sigma_1) = V(\Sigma_0)$. This implies that $s := s_1 = s_0, t := t_1 = t_0$, and since Γ is connected, also $r_1 = r_0 = 1$ and hence $\lambda_1 = \lambda_0 = \lambda$, say. Thus $\Gamma = \Gamma_0^{(\lambda)}$, with $\Gamma_0 = \mathbf{K}_{s, t}^{(2)}$ and $|G| = st\lambda$, and line 2 of Table 3 holds for Γ_0 .

We may therefore assume that, for $u \in V_1 \cap V(\Sigma_1)$, the set $\Pi_1(u)$ of t_1 vertices adjacent to u in Π_1 (that is to say, adjacent in Σ_1) is disjoint from the set $\Pi_0(u)$ of t_0 vertices adjacent to u in Π_0 . Since G is transitive on E_1 and E_0 , it follows that G_u is transitive on each of the disjoint sets $\Pi_1(u)$ and $\Pi_0(u)$. Moreover since G is cyclic, G_u is normal in G and hence all of its orbits in V_2 have the same size. Hence $t_1 = t_0 = t$, say, and the number of G_u -orbits in V_2 is $r_0 = |V_2|/t_0 = |V_2|/t_1 = r_1 = r$, say, and $r \geq 2$. An analogous argument with a vertex $w \in V_2 \cap V(\Sigma_1)$ yields that $s_0 = s_1 = s$, say, and G_w has all orbits in V_1 of length s . Thus $\lambda_0 = |E_0|/rst = |E_1|/rst = \lambda_1 = \lambda$, say, and it follows that $\Pi_0 \cong \Pi_1 \cong r \mathbf{K}_{s, t}^{(\lambda)}$. Since E_0, E_1 are disjoint, it follows that $\Gamma = \Gamma_0^{(\lambda)}$, and each $\Pi_i = \Phi_i^{(\lambda)}$, with $\Gamma_0 = (V, F)$ connected and $\Phi_i = (V, F_i) \cong r \mathbf{K}_{s, t}$ such that $E = F^{(\lambda)}$, each $E_i = F_i^{(\lambda)}$, and F is the disjoint union $F_0 \cup F_1$. Also G induces a cyclic bi-transitive, edge-bi-regular group H on Γ_0 . Note that the H -action on V is equivalent to the G -action on V , and $|H| = rst$.

Let $L = H_u$ and $K = H_w$ so the K -orbits in V_1 and the L -orbits in V_2 are the vertex-subsets, in V_1, V_2 respectively, of the components of the Π_i , or equivalently the Φ_i . Since $H = \langle h \rangle$ permutes these two families of r subsets cyclically, we may label the subsets as U_ℓ , with $\ell \in \mathbb{Z}_{2r}$, such that $V_1 = \cup\{U_{2k} \mid 0 \leq k \leq r-1\}$, $V_2 = \cup\{U_{2k+1} \mid 0 \leq k \leq r-1\}$, with each $|U_{2k}| = s, |U_{2k+1}| = t$, and $U_{2k} \cup U_{2k+1}$ the vertex set of a Φ_1 -component, and such that $U_\ell^h = U_{\ell+2}$ for each $\ell \in \mathbb{Z}_{2r}$. Now the vertex-set of the Φ_0 -component containing U_1 is $U_{2u} \cup U_1$, for some $2u \in \mathbb{Z}_{2r}$, and the H -action implies that the Φ_0 -components have vertex-sets $U_{2(k+u)} \cup U_{2k+1}$, for $0 \leq k \leq r-1$. It follows that there are paths in Γ_0 from vertices in U_0 (with edges alternately in F_1 and F_0) to vertices in $U_{2u\ell}$ for all ℓ , and to no other vertices in V_1 . Since Γ_0 is connected, this implies that $\gcd(r, u) = 1$, and hence there exists $v \in \mathbb{Z}_r$ such that $uv \equiv 1 \pmod{r}$. Let $\varphi : V \rightarrow V$ be any map which induces bijections $U_{2k} \rightarrow U_{2kv}$ and $U_{2k+1} \rightarrow U_{2kv+1}$ for each k . Then φ permutes the Φ_1 -components among themselves, and maps the Φ_0 -component with vertex-set $U_{2(k+u)} \cup U_{2k+1}$ to a graph $\mathbf{K}_{s, t}$ with vertex set $U_{2kv+2} \cup U_{2kv+1}$. Thus φ induces a graph isomorphism from Γ_0 to

the graph $\mathbf{C}_{2r}[s\mathbf{K}_1, t\mathbf{K}_1]$ in Definition 4.6. Therefore $\Gamma = \Gamma_0^{(\lambda)}$, with $\Gamma_0 \cong \mathbf{C}_{2r}[s\mathbf{K}_1, t\mathbf{K}_1]$, $|G| = rst\lambda$, and line 3 of Table 3 holds for Γ_0 .

This completes our analysis of the case where $V = V(E_i)$ for each i , so we may without loss of generality assume from now on that $V(E_1) = V_1$ and (since Γ is connected) that $V(E_0) = V = V_1 \cup V_2$. In particular $|V_1| > 1$ since $E_1 \neq \emptyset$. Then, by Corollary 5.5, we have (i) $\Pi_1 = r_1 \Sigma_1^{(\lambda_1)}$ with $\Sigma_1 = \mathbf{K}_2$ or \mathbf{C}_n and $|V_1| = 2r_1$ or nr_1 respectively, and (ii) $\Pi_0 = r_0 \Sigma_0^{(\lambda_0)}$ with $\Sigma_0 = \mathbf{K}_2$ or $\mathbf{K}_{s,t}$ where $\gcd(s, t) = 1$ and $st > 1$. For case (ii) we remove the constraint $st > 1$ and consider the two possibilities for Σ_0 together, and further, we assume that each Π_0 -component has $s \geq 1$ vertices in V_1 and $t \geq 1$ vertices in V_2 , where $\gcd(s, t) = 1$, so $|V_1| = r_0s$ and $|V_2| = r_0t$.

Suppose first that some Π_1 -edge (that is, an edge in E_1) is incident with two distinct vertices from the same Π_0 -component, so in particular $s > 1$. Since G is transitive on E_0 and acts as automorphisms of Π_1 , this holds for all edges in E_1 , and hence there are no E_1 -edges between distinct Π_0 -components. Since Γ is connected this implies that Π_0 is connected, so $r_0 = 1$, $|V_2| = t$, and $|V_1| = s = 2r_1$ or nr_1 according as $\Sigma_1 = \mathbf{K}_2$ or \mathbf{C}_n , respectively. Consider first $\Sigma_1 = \mathbf{K}_2$, so $s = 2r_1$ and hence t is odd and $\gcd(t, r_1) = 1$. Then $|E_1| = r_1\lambda_1$ and $|E_0| = st\lambda_0 = 2r_1t\lambda_0$, so with $\lambda := \lambda_0$ and $r := r_1$ we have $\lambda_1 = 2t\lambda$. Thus $\Pi_0 \cong \mathbf{K}_{2r,t}^{(\lambda)}$ and $\Pi_1 = r\mathbf{K}_2^{(2t\lambda)}$, and as in Definition 4.10, $\Gamma = \Gamma_0^{(\lambda)}$ with $\Gamma_0 = r\mathbf{K}_2^{(2t)} + \mathbf{K}_{2r,t}$, $|G| = 2rt\lambda$, and line 4 of Table 3 holds for Γ_0 .

Now consider $\Sigma_1 = \mathbf{C}_n$, so $s = nr_1$ and $\gcd(t, nr_1) = 1$. Then $|E_1| = nr_1\lambda_1$ and $|E_0| = nr_1t\lambda_0$, so with $\lambda := \lambda_0$ and $r := r_1$ we have $\lambda_1 = t\lambda$, $\Pi_0 \cong \mathbf{K}_{nr,t}^{(\lambda)}$ and $\Pi_1 = r\mathbf{C}_n^{(t\lambda)}$, and as in Definition 4.10, $\Gamma = \Gamma_0^{(\lambda)}$ with $\Gamma_0 = r\mathbf{C}_n^{(t)} + \mathbf{K}_{nr,t}$, $|G| = nrt\lambda$, and line 6 of Table 3 holds for Γ_0 .

Finally suppose that each edge of E_1 is incident with vertices from two different components of Π_0 , so $r_0 \geq 2$. Thus $e \in E_1$ satisfies $e = [\alpha_1, e, \alpha_2]$ with α_i in component $\Sigma_{0,i}$ of Π_0 for $i = 1, 2$, and the subgroup H of index r_0 in G fixes each of the Π_0 -components setwise (since H is normal in G), and the H -orbits in V_1 are the s -subsets of V_1 lying in the Π_0 -components. Thus each of the s vertices of $\Sigma_{0,1}$ in V_1 is joined by an edge of E_1 to a vertex in $\Sigma_{0,2}$. Further since G permutes the Π_0 -components transitively and cyclically, it follows that the component, $\mathbf{K}_2^{(\lambda_1)}$ or $\mathbf{C}_n^{(\lambda_1)}$, of Π_1 containing e meets each of the Π_0 -components. Consider first $\Sigma_1 = \mathbf{K}_2$. Then there are exactly $r_0 = 2$ components of Π_0 , and $r_1 = s$ components of Π_1 . Thus $|V_1| = 2s$ and for the transitive cyclic group \mathbb{Z}_{2s} induced on V_1 , the stabiliser \mathbb{Z}_2 of a Π_1 -component interchanges its two vertices and hence interchanges the two Π_0 -components. This implies that s is odd. Also $s\lambda_1 = |E_1| = |E_0| = 2st\lambda_0$, so setting $\lambda := \lambda_0$ we have $\lambda_1 = 2t\lambda$ and so $\Gamma = \Gamma_0^{(\lambda)}$, with $\Gamma_0 = s\mathbf{K}_2^{(2t)} + 2\mathbf{K}_{s,t}$, $|G| = 2st\lambda$, and line 5 of Table 3 holds for Γ_0 .

Now consider $\Sigma_1 = \mathbf{C}_n$. Then Σ_1 meets each of the Π_0 -components in a constant number u of points, so we have $n = ur_0$ and $s = ur_1$, so $\gcd(ur_1, t) = 1$. Now the stabiliser of a Π_1 -component is still transitive on the Π_0 -components, and conversely, and this holds if and only if $\gcd(r_0, r_1) = 1$. Also $|E_1| = nr_1\lambda_1 = ur_0r_1\lambda_1$ and $|E_0| = r_0st\lambda_0 = r_0ur_1t\lambda_0$, so with $\lambda := \lambda_0$ we have $\lambda_1 = t\lambda$, and so $\Pi_1 = r_1\mathbf{C}_{ur_0}^{(t\lambda)}$, $\Pi_0 = r_0\mathbf{K}_{ur_1,t}^{(\lambda)}$, $|G| = ur_0r_1t\lambda$, and $\Gamma = \Gamma_0^{(\lambda)}$ with $\Gamma_0 = r_1\mathbf{C}_{ur_0}^{(t)} + r_0\mathbf{K}_{ur_1,t}$, $ur_0 \geq 3$, $r_0 \geq 2$, and $\gcd(r_0, r_1) = \gcd(ur_1, t) = 1$. So line 7 of Table 3 holds for Γ_0 .

This completes the analysis of the case where there are two G -vertex-orbits.

6.3. The case where G^V has three orbits. In this final subsection we assume that G has three orbits V_1, V_2, V_3 on vertices with, say, $V(E_0) = V_1 \cup V_2$ and $V(E_1) = V_2 \cup V_3$. Then G acts faithfully on each E_i , and by Corollary 5.5, we have $\Pi_0 = r_0 \mathbf{K}_{s_0, t_0}^{(\lambda_0)}$ and $\Pi_1 = r_1 \mathbf{K}_{s_1, t_1}^{(\lambda_1)}$, with $\gcd(s_0, t_0) = \gcd(s_1, t_1) = 1$, and to simplify our analysis we assume $s_0 t_0 \geq 1, s_1 t_1 \geq 1$, (identifying \mathbf{K}_2 with $\mathbf{K}_{1,1}$). Also we assume, for each i , that each component of Π_i has s_i vertices in V_2 , so $|V_2| = r_0 s_0 = r_1 s_1$, and $|G| = r_0 s_0 t_0 \lambda_0 = r_1 s_1 t_1 \lambda_1$, which gives $t_0 \lambda_0 = t_1 \lambda_1$.

For each i , let H_i be the subgroup of G of index r_i . Then the H_i -orbits in V_2 are the s_i -subsets of vertices in the Π_i -components. Let $d = \gcd(r_0, r_1)$ and let H be the index d subgroup of G . Then for each i , $H_i \leq H$ and hence the H -orbits in V_2 are unions of H_i -orbits, for each i . Let Δ be one such H -orbit and let $\delta \in \Delta$. Then all paths in Γ starting from δ and ending in V_2 (using edges from E_0 or E_1 or both) must end at a vertex of Δ . Since Γ is connected, it follows that $\Delta = V_2$, and hence $d = 1$, that is, $\gcd(r_0, r_1) = 1$. Therefore $s := s_0/r_1 = s_1/r_0$ is an integer (since $r_0 s_0 = r_1 s_1$); and each Π_0 -component meets each Π_1 -component in exactly s vertices of V_2 .

Let $\lambda := \gcd(\lambda_0, \lambda_1)$ and set $t = \lambda_0/\lambda$ and $t' = \lambda_1/\lambda$, so $t_0 t = t_1 t'$ (since $t_0 \lambda_0 = t_1 \lambda_1$). Since $\gcd(t, t') = 1$, $u := t_0/t' = t_1/t$ is an integer. Set $r := r_0, r' := r_1$. Then $\Gamma = \Gamma_0^{(\lambda)}$ and each $\Pi_i = \Phi_i^{(\lambda)}$, where $\Phi_0 = r \mathbf{K}_{sr', ut}^{(t)}$ and $\Phi_1 = r' \mathbf{K}_{sr, ut}^{(t')}$, and $|G| = rr' su \lambda t t'$; and we have $\gcd(r, r') = \gcd(t, t') = 1$, and $\gcd(sr', ut) = \gcd(sr, ut') = 1$. Thus line 8 of Table 3 holds for Γ_0 .

This graph family covers some special cases: for example if, say, $s = r = 1$ then $\Gamma_0 = \mathbf{K}_{r', ut}^{(t)} + r' \mathbf{K}_{1, ut}^{(t')}$; and if in addition $u = t = 1$ then $\Gamma_0 = \mathbf{K}_{r', t'} + r' \mathbf{K}_2^{(t')}$.

This completes the proof that all graphs Γ with at least three vertices, and no isolated vertices, and admitting a cyclic edge-regular or edge-bi-regular group of automorphisms, are of the form $\Gamma = \Gamma_0^{(\lambda)}$ with Γ_0 listed in one of the Tables 1, 2, and 3. Conversely it follows from Lemmas 4.2, 4.4, 4.7, 4.9, 4.11, 4.13, 4.16, and Corollary 4.5, that all the graphs in these tables admit such groups.

7. PROOF OF THEOREM 1.2

The aim of this section is to complete the proof of Theorem 3.2. So let $\Gamma = (V, E)$ be a graph which has a symmetrical Euler cycle

$$C = (e_0, e_1, \dots, e_{\ell-1})$$

where $\ell = |E|$. Thus each $e_i = [\alpha_{i-1}, e_i, \alpha_i]$ where we write $\alpha_\ell = \alpha_0$. In particular Γ is connected, and there exists $x \in \text{Aut}\Gamma$ such that

$$x : e_i \rightarrow e_{i+2}, \text{ for each } i, \text{ reading subscripts modulo } \ell.$$

Then $\langle x \rangle$ is edge-regular if ℓ is odd, or edge-bi-regular if ℓ is even, and hence, by Theorem 1.1, Γ is one of the graphs in Tables 1, 2, or 3. Our task is to decide which of these graphs has a symmetrical Euler cycle, and for each of these graphs, to determine the largest subgroup $H(C)$ of the group $D(C)$ in (3) induced by $(\text{Aut}\Gamma)_{[C]}$. Note that x induces the element φ^2 of (4) so $H(C)$ contains φ^2 . Recall that, for each vertex α , the number of edges of C incident with α must be even. First we consider some of the examples listed in Theorem 3.2.

Lemma 7.1. (a) *If $\Gamma = \mathbf{C}_n^{(\lambda)}$ for some $n \geq 3, \lambda \geq 1$, then Γ has a symmetrical Euler cycle C and $H(C) = \langle \varphi, \tau \rangle$.*

(b) If $\Gamma = \mathbf{K}_{s,t}^{(\lambda)}$ for some $\lambda \geq 1$ and $st > 1$ with $\gcd(s, t) = 1$, then Γ has a symmetrical Euler cycle C if and only if λ is even, and in this case $H(C) = \langle \varphi^2, \varphi\tau \rangle$.

Proof. (a) Let $\Gamma = \mathbf{C}_n^{(\lambda)}$. By Proposition 3.4, it is sufficient to assume that $\lambda = 1$, and in this case the assertion follows from Lemma 4.2(a).

(b) Now let $\Gamma = \mathbf{K}_{s,t}^{(\lambda)}$. By our comments above, for an Euler cycle to exist each vertex must be incident with an even number of edges, so both $s\lambda$ and $t\lambda$ are even. Since $\gcd(s, t) = 1$, this implies that λ is even. Therefore, by Proposition 3.4, it is sufficient to assume that $\lambda = 2$ and to prove that $\Gamma = \mathbf{K}_{s,t}^{(2)}$ has a symmetrical Euler cycle C with $H(C)$ as claimed. We use the notation from Definition 4.8 for the vertices and edges of $\mathbf{K}_{s,t}$ and the map g , and the convention in (5) for edges of Γ . Thus the vertex set is $V = V_1 \cup V_2$ with $V_1 = \mathbb{Z}_s$ and $V_2 = \mathbb{Z}_t$. Let $e_0 = e_{0,0}^1$ and $e_1 = e_{1,0}^2$, and for each i such that $1 \leq i \leq st - 1$, define

$$e_{2i} := e_{i,i}^1 = e_0^{g^i} \text{ and } e_{2i+1} := e_{i+1,i}^2 = e_1^{g^i}.$$

Note that $e_{2i} = [i, e_{2i}, i]$ and $e_{2i+1} = [i+1, e_{2i}, i]$, where we read the first entries (elements of V_1) modulo s and the last entries (elements of V_2) modulo t . Thus e_{2i}, e_{2i+1} are both incident with $i \in V_2$, and similarly e_{2i-1}, e_{2i} are both incident with $i \in V_1$. Further, since $\gcd(s, t) = 1$, for each edge e of $\mathbf{K}_{s,t}$, the edge e^1 occurs as e_{2i} for some i , and e^2 occurs as e_{2i+1} for some i . Also, since $|g| = st$ and $\langle g \rangle$ is regular on the edge-set of \mathbf{K}_{st} , it follows that

$$C := (e_0, e_1, \dots, e_{2st-1})$$

is an Euler cycle for Γ , that C is preserved by $\langle g \rangle$, and that g induces the map φ^2 in $D(C)$. Thus C is a symmetrical Euler cycle. Finally, $\text{Aut}\Gamma$ contains the following involution y , where $y|_{V_1} : i \rightarrow -i$ for all $i \in V_1 = \mathbb{Z}_s$, $y|_{V_2} : i \rightarrow -i$ for all and all $i \in V_2 = \mathbb{Z}_t$; and

$$y : e_{i,i}^1 \rightarrow e_{-i,-i}^1, \text{ and } y : e_{i+1,i}^2 \rightarrow e_{-i,-i-1}^2, \text{ for all } i.$$

It is straightforward to check that y preserves C , namely $y : e_{2i} \rightarrow e_{2j}$ and $y : e_{2i+1} \rightarrow e_{2j-1}$ where $i + j = st$; and y induces the map $\varphi\tau$ of $D(C)$ as in (4). Thus $H(C)$ contains $\langle \varphi^2, \varphi\tau \rangle$, and since Γ is not vertex-transitive, equality holds. \square

Lemma 7.1 deals with all the graphs which admit a cyclic edge-regular subgroup, see Table 1. So we may assume that Γ admits no cyclic edge-regular subgroup. Hence the length ℓ of C is even, and $\langle x \rangle$ is bi-regular on E , say with orbits E_0, E_1 . This means that, in the symmetrical Euler cycle C the edges occur alternately in E_0 and E_1 . Replacing C by a shift if necessary, we may assume then that $E_0 = \{e_{2i} \mid 0 \leq i \leq \ell - 1\}$ and $E_1 = \{e_{2i+1} \mid 0 \leq i \leq \ell - 1\}$.

Lemma 7.2. (a) The group $\langle x \rangle$ has at most two orbits in V .

(b) If $\langle x \rangle$ has two orbits in V , say V_1 and V_2 , then each edge is incident with exactly one vertex of V_1 and one vertex of V_2 .

(c) Thus Γ is one of the graphs in lines 2–4 of Table 2 or line 3 of Table 3.

Proof. (a) Since $E_0 = \{e_{2i} \mid 0 \leq i \leq \ell - 1\}$ and $E_1 = \{e_{2i+1} \mid 0 \leq i \leq \ell - 1\}$, it follows from the definition of C that every vertex is incident with at least one edge in E_0 and at least one edge in E_1 . Then, since $\langle x \rangle$ is transitive on E_0 and E_1 we conclude that $\langle x \rangle$ has at most two orbits in V .

(b) Suppose $\langle x \rangle$ has two orbits V_1 and V_2 in V . Then as Γ is connected, at least one of the edge-orbits, say E_0 , has edges incident with vertices from each of V_1 and V_2 , so $e_0 = [\alpha, e_0, \beta]$ with, say, $\alpha \in V_1$ and $\beta \in V_2$. Thus e_{2i-1} is incident with $\alpha \in V_1$ and e_{2i+1} is

incident with $\beta \in V_2$, and hence also the edges of E_1 are incident with vertices from both V_1 and V_2 .

(c) The last line of Table 3 is not possible by part (a), graphs in line 1 of Table 2 or lines 1–2 of Table 3 are excluded because they admit cyclic edge-regular subgroups, and graphs in lines 4–7 of Table 3 are not possible by part (b). \square

The next two lemmas deal with the remaining graphs from Table 2.

- Lemma 7.3.** (a) *If $\Gamma = \Gamma_0^{(\lambda)}$ with $\Gamma_0 = \Gamma(2r, 1, r) = \mathbf{C}_{2r} + r\mathbf{K}_2^{(2)}$ as in Corollary 4.5(a) (line 4 of Table 2), where $r \geq 2$ and $\lambda \geq 1$, then Γ has a symmetrical Euler cycle C if and only if r is even, and in this case $H(C) = \langle \varphi^2, \varphi\tau \rangle$.*
- (b) *If $\Gamma = \Gamma_0^{(\lambda)}$ with $\Gamma_0 = \Gamma(2r, 2, r) = 2\mathbf{C}_r + r\mathbf{K}_2^{(2)}$ as in Corollary 4.5(b) (line 5 of Table 2), where r is odd, $r \geq 3$, and $\lambda \geq 1$, then Γ has a symmetrical Euler cycle C and $H(C) = \langle \varphi^2, \varphi\tau \rangle$.*

Proof. We use the notation from Definition 4.3. In both cases (a) and (b), $\Gamma_0 = \text{Circ}(n, S) = (V, E)$ with $S = \{a, -a, r^{(2)}\}$ as in Definition 4.3 (with $a = 1$ or 2), and we have $V = \mathbb{Z}_{2r}$ and $4r$ edges $e_{i,a} = [i, e_{i,a}, i+a]$ and $e_{i,r} = [i, e_{i,r}, i+r]$, for $i \in \mathbb{Z}_{2r}$. Also the map $g : i \rightarrow i+1, e_{i,a} \rightarrow e_{i+1,a}, e_{i,r} \rightarrow e_{i+1,r}$ lies in $\text{Aut}\Gamma_0$, by Lemma 4.4, and is bi-regular on E with $\langle g \rangle$ -orbits $E_a = \{e_{i,a} \mid i \in \mathbb{Z}_{2r}\}$ and $E_r = \{e_{i,r} \mid i \in \mathbb{Z}_{2r}\}$. We also use the notation from (5) for edges of $\Gamma = (V, E^{(\lambda)})$ and from the proof of Proposition 3.4(a) for the edge-bi-regular automorphism $g^{(\lambda)}$ of Γ corresponding to the edge-bi-regular map g on Γ_0 . The $\langle g^{(\lambda)} \rangle$ -orbits in $E^{(\lambda)}$ are $E_a^{(\lambda)}$ and $E_r^{(\lambda)}$.

(a) Consider first case (a), so $a = 1$. Then the vertex-action $(\text{Aut}\Gamma)^V$ is contained in $(\text{Aut}[E_1])^V \cong D_{4r}$ and contains g^V of order $2r$. Suppose that $C = (e_0, e_1, \dots, e_{4r\lambda-1})$ is an Euler cycle for Γ with element x inducing $\varphi^2 \in H(C)$, as above. Then $\langle x \rangle$ induces \mathbb{Z}_{2r} on V , and hence $x^V = (g^i)^V$ for some i such that $\gcd(i, 2r) = 1$. We show first that r is even. We may assume that the ‘even’ edges e_{2i} of C lie in $E_a^{(\lambda)}$ and the ‘odd’ edges e_{2i+1} lie in $E_r^{(\lambda)}$. Moreover, replacing C by a cycle in its sequence class, if necessary, we may assume further that $e_0 = e_{0,a}^1$ and e_1 is $e_{1,r}^u$ or $e_{r+1,r}^u$, for some u , and hence that e_2 is $e_{r+1,1}^v$ or $e_{r,1}^v$, for some v , and $e_{4r\lambda-1}$ is $e_{0,r}^w$ or $e_{r,r}^w$, for some w . Considering the vertices incident with these edges, it follows from $e_0^x = e_2$ that $\{0, 1\}^{g^i} = \{r+1, r+2\}$ or $\{r, r+1\}$, and from $e_{4r\lambda-1}^x = e_1$ that $\{0, r\}^{g^i} = \{1, r+1\}$. These conditions together imply that $i = r+1$, and then from $\gcd(i, 2r) = 1$ we conclude that r is even. To complete the proof of part (a) we exhibit a symmetrical Euler cycle C for Γ such that $H(C) = \langle \varphi^2, \varphi\tau \rangle$ (noting that $H(C) \neq D(C)$ since Γ is not edge-transitive). By Proposition 3.4 we may assume that $\lambda = 1$. As noted above, in a symmetrical Euler cycle C preserved by $x \in \text{Aut}\Gamma$ which induces the map φ^2 in $D(C)$, we may assume that $e_0 = e_{0,1}$, that $e_1 = e_{1,r}$ or $e_{r+1,r}$, and that $x = g^{r+1}$. So for our construction let us choose $e_1 = e_{1,r}$, so that, for all $i = 1, \dots, 2r-1$,

$$e_{2i} := e_{0,1}^{g^{i(r+1)}} = e_{i(r+1),1} \text{ and } e_{2i+1} := e_{1,r}^{g^{i(r+1)}} = e_{i(r+1)+1,r}.$$

Then e_{2i}, e_{2i+1} are both incident with $i(r+1) + 1$, and e_{2i+1}, e_{2i+2} are both incident with $(i+1)(r+1)$. Hence $C := (e_0, e_1, \dots, e_{4r-1})$ is an Euler cycle of Γ . The element g^{r+1} preserves the cycle C and acts as $g^{r+1} : e_j \rightarrow e_{j+2}$, that is g^{r+1} induces the map φ^2 of $D(C)$. The cycle C is also preserved by the automorphism $y \in \text{Aut}\Gamma$ defined by: $y : -i \leftrightarrow i+1$ on V and $y : e_{-i,1} \leftrightarrow e_{i,1}, e_{-i,r} \leftrightarrow e_{i+1,r}$ on E . This map induces $\varphi\tau \in D(C)$ as in (4), and hence $H(C)$ contains $\langle \varphi^2, \varphi\tau \rangle$, and equality holds since Γ is not edge-transitive. An

exactly similar argument works for the case where $e_1 = e_{r+1,r}$. This completes the proof of part (a).

(b) Now consider case (b), so $a = 2$ and r is odd. By Proposition 3.4 we may assume that $\lambda = 1$. Thus, for the edge-bi-regular automorphism g in the first paragraph of this proof, $\gcd(r+2, |g|) = \gcd(r+2, 2r) = 1$, and hence $x := g^{r+2}$ generates $\langle g \rangle$ and $\langle x \rangle$ is edge-bi-regular on Γ . We construct a symmetrical Euler cycle $C = (e_0, \dots, e_{4r-1})$ preserved by x and on which x induces φ^2 in $H(C)$. Let $e_0 := e_{0,r}$ and $e_1 := e_{r,2}$, and for $1 \leq i \leq 2r-1$, let

$$e_{2i} := e_0^{x^i} = e_{0,r}^{g^{i(r+2)}} = e_{i(r+2),r} \text{ and } e_{2i+1} := e_1^{x^i} = e_{r,2}^{g^{i(r+2)}} = e_{i(r+2)+r,2}.$$

Then e_{2i}, e_{2i+1} are both incident with $i(r+2) + r$, and e_{2i+1}, e_{2i+2} are both incident with $(i+1)(r+2)$. Hence C is an Euler cycle of Γ , and by definition x preserves C and induces φ^2 . In addition $\text{Aut}\Gamma$ contains an involution y inducing $\varphi\tau$ on C , namely $y : i \rightarrow r-i$ on $V = \mathbb{Z}_{2r}$, and $y : e_i \rightarrow e_{4r-i}$. This is straightforward to check. Hence $H(C)$ contains, and so is equal to $\langle \varphi^2, \varphi\tau \rangle$. \square

Lemma 7.4. *Suppose that $\Gamma = \Gamma_0^{(\lambda)}$ with $\Gamma_0 = \text{Circ}(n, S) = (V, E)$ with $S = \{a, -a, b, -b\}$ as in Definition 4.3 with $V = \mathbb{Z}_n$, $|S| = 4$ and $\gcd(n, a, b) = 1$, and that $\lambda \geq 1$.*

- (a) *If either $\gcd(n, a+b) = 1$ or $\gcd(n, a-b) = 1$, and then Γ has a symmetrical Euler cycle, and $H(C) = \langle \varphi^2, \varphi\tau \rangle$ for all such cycles C .*
- (b) *Moreover, if $\text{Aut}\Gamma_0$ is not edge-transitive, then Γ has a symmetrical Euler cycle C if and only if either $\gcd(n, a+b) = 1$ or $\gcd(n, a-b) = 1$.*

Remark 7.5. We comment on part (b) of Lemma 7.4. The proof depends on the fact that, for a symmetrical Euler cycle C of $\Gamma = \Gamma_0^{(\lambda)}$ (with $\Gamma_0 = \text{Circ}(n, S) = (V, E)$ as in line 4 of Table 2), an automorphism x inducing $\varphi^2 \in H(C)$ acts on V as a power of the map g^V from Definition 4.3. The assumption that Γ_0 is not edge-transitive is sufficient to deduce this fact. However it is possible for Γ_0 to be edge-transitive. For example if $n = 5, a = 1, b = 2$ then $\Gamma_0 \cong \mathbf{K}_5$. Edge-transitivity occurs more generally, for example, when n is odd and there exists $d \in \mathbb{Z}_n$ with $d^2 = -1$, and $b = \pm da$ so $S = \{a, da, d^2a, d^3a\}$. In this case the ‘multiplicative’ automorphism $y : i \rightarrow di$ interchanges the two $\langle g \rangle$ edge-orbits E_a and E_b defined in Definition 4.3. If Γ_0 is a so-called *normal Cayley graph*, that is, if $\langle g, y \rangle = \mathbb{Z}_n \rtimes \mathbb{Z}_4$ is the full automorphism group $\text{Aut}\Gamma_0$, then the assertion in case (b) can be proved by a slightly modified argument. However we do not know if there are parameters n, a, b for which Γ_0 is a non-normal Cayley graph (and hence is edge-transitive) and the necessary and sufficient condition in part (b) does not hold.

Proof. Here $\Gamma_0 = \text{Circ}(n, S) = (V, E)$ with $S = \{a, -a, b, -b\}$ as in Definition 4.3 with $|S| = 4$, $V = \mathbb{Z}_n$, and $2n$ edges $e_{i,a} = [i, e_{i,a}, i+a]$ and $e_{i,b} = [i, e_{i,b}, i+b]$, for $i \in \mathbb{Z}_n$. The map $g : i \rightarrow i+1, e_{i,a} \rightarrow e_{i+1,a}, e_{i,b} \rightarrow e_{i+1,b}$ lies in $\text{Aut}\Gamma_0$, by Lemma 4.4, and is bi-regular on E with $\langle g \rangle$ -orbits $E_a = \{e_{i,a} \mid i \in \mathbb{Z}_n\}$ and $E_b = \{e_{i,b} \mid i \in \mathbb{Z}_n\}$. We also use the notation from (5) for edges of $\Gamma = (V, E^{(\lambda)})$.

(a) Suppose first that $\gcd(a+b, n) = 1$ or $\gcd(a-b, n) = 1$. We construct a symmetrical Euler cycle for Γ . By Proposition 3.4 it is sufficient to do this for $\lambda = 1$, that is, for $\Gamma = \Gamma_0 = \text{Circ}(n, S)$. So let $j = a \pm b$ and assume that $\gcd(j, n) = 1$. First let $j = a+b$, let $e_0 = e_{0,a}, e_1 = e_{a,b}$ and for $1 \leq i \leq n-1$, let

$$e_{2i} := e_0^{g^{ij}} = e_{ij,a} \text{ and } e_{2i+1} := e_1^{g^{ij}} = e_{ij+a,b}.$$

Then $C = (e_0, \dots, e_{2n-1})$ is a symmetrical Euler cycle and g^j acts as $\varphi^2 \in H(C)$. In addition $y \in \Gamma$ defined by $y : i \rightarrow a - i$ on V , and $y : e_i \rightarrow e_{2n-i}$, induces $\varphi\tau$ on C so $H(C) \geq \langle \varphi^2, \varphi\tau \rangle$. Similarly, for $j = a - b$, let $e_0 = e_{0,a}, e_1 = e_{a-b,b}$ (with e_1 incident with $\{a, a - b\}$) and for $1 \leq i \leq n - 1$, let

$$e_{2i} := e_0^{g^{ij}} = e_{ij,a} \text{ and } e_{2i+1} := e_1^{g^{ij}} = e_{ij,b}.$$

Then again $C = (e_0, \dots, e_{2n-1})$ is a symmetrical Euler cycle and g^j acts as $\varphi^2 \in H(C)$. Again the element $y \in \Gamma$ defined by $y : i \rightarrow a - i$ on V and $y : e_i \rightarrow e_{2n-i}$ induces $\varphi\tau$ on C so $H(C) \geq \langle \varphi^2, \varphi\tau \rangle$. If, for some symmetrical Euler cycle C , $H(C)$ is strictly larger than $\langle \varphi^2, \varphi\tau \rangle$, then $H(C) = D(C)$ and so some element $x \in \text{Aut}\Gamma$ induces φ on C , and hence $\langle x \rangle$ is a cyclic edge-regular subgroup of $\text{Aut}\Gamma$. This however contradicts Theorem 1.1 as $\Gamma = \Gamma_0$ does not appear in Table 1. Thus part (a) is proved.

(b) Suppose now that $\text{Aut}\Gamma_0$ is not edge-transitive and that Γ has a symmetrical Euler cycle $C = (e_0, \dots, e_{2n\lambda-1})$ and $x \in \text{Aut}\Gamma$ preserves C and acts by $x : e_i \rightarrow e_{i+2}$ for each i . Since Γ_0 is not edge-transitive, $\text{Aut}\Gamma_0 \leq \text{Aut}[E_a]$ and hence the groups induced on V by $\text{Aut}\Gamma$ and $\text{Aut}\Gamma_0$ are both isomorphic to D_{2n} with index 2 subgroup $\langle g^V \rangle$ generated by $g^V : i \rightarrow i + 1$, with g as in the first paragraph of the proof. Since $\langle x \rangle$ is cyclic of order $n\lambda$ it follows that x^V has order n and hence $x^V = (g^V)^j$ for some j coprime to n . Relabelling the elements of S if necessary, we may assume that $e_0 = e_{0,a}^u$ for some u . Then, the next edge e_1 lies in $E_b^{(\lambda)}$ and hence is $e_{a,b}^v$ or $e_{a-b,b}^v$ for some v . Assume first that $e_1 = e_{a,b}^v$. Then e_2 is incident with $a + b$ while, since $e_2 = e_0^x$, the pair of vertices incident with e_2 are $\{0, a\}^x = \{0, a\}^{g^j} = \{j, a + j\}$. Hence $j = a + b$ or $j = b$ and $e_2 = e_{a+b,a}^w$ or $e_{b,a}^w$, for some w , and e_3 is incident with $2a + b$ or b , respectively. Moreover since $e_3 = e_1^x$, the pair of vertices incident with e_3 are $\{a, a + b\}^x = \{a, a + b\}^{g^j}$ which is $\{2a + b, 2a + 2b\}$ if $j = a + b$ or $\{a + b, a + 2b\}$ if $j = b$. However, if $j = b$ then e_3 should be incident with b , and $b \notin \{a + b, a + 2b\}$ since $a \neq 0, -b$. Hence $j = a + b$ so $\gcd(a + b, n) = 1$. A similar argument in the case where $e_1 = e_{a-b,b}^v$ leads to the condition $\gcd(a - b, n) = 1$. This proves the asserted congruence conditions, and the converse follows from part (a). This completes the proof. \square

Finally we consider the remaining graphs from Table 3.

Lemma 7.6. *If $\Gamma = \Gamma_0^{(\lambda)}$ with $\Gamma_0 = \mathbf{C}_{2r}[s\mathbf{K}_1, t\mathbf{K}_1]$ as in Definition 4.6 (line 4 of Table 3), with $r \geq 2, st \geq 2, \gcd(s, t) = 1$, and $\lambda \geq 1$, then Γ has a symmetrical Euler cycle C and $H(C) = \langle \varphi^2, \tau \rangle$.*

Proof. We use the notation from Definition 4.6. Thus $\Gamma_0 = \mathbf{C}_{2r}[s\mathbf{K}_1, t\mathbf{K}_1] = (V, E)$, and $V = V_S \cup V_T$ and $E = E_S \cup E_T$, where $S = \mathbb{Z}_s, T = \mathbb{Z}_t$. Also we have $g, y \in \text{Aut}\Gamma_0$ such that $\langle g \rangle$ is edge-bi-regular with edge-orbits E_S, E_T and $\langle g, y \rangle \cong D_{2rst}$ is bi-transitive on V with vertex-orbits V_S, V_T , and regular on E (see Lemma 4.7). By Proposition 3.4 it is sufficient to construct a cycle C with the required properties in the case $\lambda = 1$. So we assume now that $\lambda = 1$ and $\Gamma = \Gamma_0$, and we construct $C = (e_0, \dots, e_{2rst-1})$.

From Definition 4.6 the edges in E_S, E_T are labelled $e_{i,j}^{2k}$ and $e_{j,i}^{2k+1}$, respectively, where $0 \leq k \leq r - 1, i \in S, j \in T$. Each integer i such that $0 \leq i \leq 2rst - 1$ can be represented uniquely as $i = \ell + 2rm$, where $0 \leq \ell \leq 2r - 1$ and $0 \leq m \leq st - 1$. For such a representation we define $e_i = e_{m,m}^\ell$ if $\ell \leq 2r - 2$ and $e_i = e_{m,m+1}^\ell$ if $\ell = 2r - 1$. If $\ell \leq 2r - 2$, then e_i, e_{i+1} are both incident with the vertex (ℓ, m) where $m \in T$ if ℓ is even or $m \in S$ if ℓ is odd. If $\ell = 2r - 1$, then e_i, e_{i+1} are both incident with the vertex $(0, m + 1)$ with $m + 1 \in S$. This

proves that C is a cycle of length $2rst$, and from its definition C involves all edges and hence is an Euler cycle. Moreover C is preserved by g and y , with g inducing $\varphi^2 \in H(C)$ and y inducing $\tau \in H(C)$. If $H(C)$ is strictly larger than $\langle \varphi^2, \tau \rangle$, then $H(C) = D(C)$, which implies that Γ_0 is vertex-transitive, and hence that $s = t$, which is a contradiction. This completes the proof. \square

REFERENCES

- [1] S. Du and M-Y Xu, A classification of semisymmetric graphs of order $2pq$, *Comm. Alg.* **28** (2000), 2685–2715.
- [2] W. W. Fan, C. H. Li and Naer Wang, Edge-transitive uniface embeddings of complete bipartite multi-graphs, *J. Algebraic Combin.* **49** (2019), 125–134.
- [3] M. Giudici, C. H. Li and C. E. Praeger, Analysing finite locally s -arc transitive graphs, *Trans. Amer. Math. Soc.* **356** (2004), 291–317.
- [4] C. H. Li, C. E. Praeger and S-J Song, Vertex-rotary maps and coset graphs with finite edge multiplicity, preprint 2021.
- [5] C. H. Li, C. E. Praeger and S-J Song, Arc-transitive embeddings of graphs, preprint 2021.
- [6] R. B. Richter, P.D. Seymour and J. Širáň, Circular embeddings of planar graphs in non-spherical surfaces. *Discrete Math.* **126** (1994), 273–280.
- [7] N. Robertson, X. Y. Zha, Closed 2-cell embeddings of graphs with no $V8$ -minors, *Discrete Math.* **230** (2001), 207–213.
- [8] D. Singerman, Unicellular dessins and a uniqueness theorem for Klein’s Riemann surface of genus 3, *Bull. London Math. Soc.* **33** (2001), 701–710.
- [9] X. Y. Zha, The closed 2-cell embeddings of 2-connected doubly toroidal graphs. *Discrete Math.* **145** (1995), 259–271.

SCHOOL OF MATHEMATICAL SCIENCES, XIAMEN UNIVERSITY, XIAMEN, P. R. CHINA
Email address: chenjy1988@xmu.edu.cn

DEPARTMENT OF MATHEMATICS, SOUTHERN UNIVERSITY OF SCIENCE AND TECHNOLOGY, SHENZHEN, P. R. CHINA
Email address: lich@sustech.edu.cn

DEPARTMENT OF MATHEMATICS AND STATISTICS, THE UNIVERSITY OF WESTERN AUSTRALIA, CRAWLEY 6009, WA, AUSTRALIA
Email address: cheryl.praeger@uwa.edu.au

SCHOOL OF MATHEMATICS AND INFORMATION SCIENCE, YANTAI UNIVERSITY, YANTAI, P. R. CHINA
Email address: shujiao.song@hotmail.com