

A fast implementation of the Monster group

by Martin Seysen

March 9, 2022

Preliminary version

Abstract

Let \mathbb{M} be the Monster group, which is the largest sporadic finite simple group, and has first been constructed in 1982 by Griess [5]. In 1985 Conway [2] has constructed a 196884-dimensional representation ρ of \mathbb{M} with matrix coefficients in $\mathbb{Z}[\frac{1}{2}]$. We describe a new and very fast algorithm for performing the group operation in \mathbb{M} .

Let \mathbb{M} be given by a set Γ of generators acting on the representation ρ as in Seysen [13]. For a small odd integer $p > 1$ let ρ_p be the representation ρ with coefficients taken modulo p . In principle, we may represent elements of \mathbb{M} by matrices acting on ρ_p , but this is way too large for practical purposes. We construct a triple (v_1, v^+, v^-) of elements of the module ρ_{15} such that any $g \in \mathbb{M}$ can effectively be computed as a word in Γ from the images (v_1g, v^+g, v^-g) .

An implementation [14] based on that idea multiplies two random elements of \mathbb{M} in a bit less than 50 milliseconds on a standard PC with an Intel i7-8750H CPU at 4 GHz. This is about 100000 times faster than estimated by Wilson [15] in 2013.

Key Words:

Monster group, finite simple groups, group representation, efficient implementation
MSC2020-Mathematics Subject Classification (2020): 20C34, 20D08, 20C11, 20-08

1 Introduction

Let \mathbb{M} be the Monster group, which is the largest sporadic finite simple group, and has first been constructed by Griess [5]. That construction has been simplified by Conway [2], leading to a representation ρ of \mathbb{M} of dimension 196883+1 with matrix coefficients in $\mathbb{Z}[\frac{1}{2}]$. For a small odd integer $p > 1$ let ρ_p be the representation ρ with matrix coefficients taken modulo p . In this paper we deal with ρ_{15} and, occasionally, with ρ_3 and ρ_5 .

The first computer construction of the Monster group is due to Linton, Parker, Walsh and Wilson [9]. That construction is based on large 3-local subgroups. The reason for choosing 3-local subgroups (instead of the much larger 2-local subgroups) was that here computations can be done with scalars in \mathbb{F}_2 . Holmes and Wilson [6] have presented a computer construction of the Monster based on 2-local subgroups with scalars in \mathbb{F}_3 . The representation used in that construction resembles the representation ρ_3 mentioned above. Here the 3-local construction appears to be faster, but the 2-local construction allows general computations in a much larger maximal 2-local subgroup G_{x_0} of structure $2^{1+24}.Co_1$ of the Monster \mathbb{M} .

Any known faithful representation of \mathbb{M} has dimension at least 196882; so we in practice cannot store elements of \mathbb{M} as matrices in such a representation. We store elements of \mathbb{M} as words in a set of generators of \mathbb{M} , where each generator corresponds to a sparse matrix.

Then the group operation is simply a concatenation of words. But here the word shortening problem arises, since the length of a word may grow exponentially with the number of group operations. A word shortening algorithm for the Monster group is given in [15].

In this paper we present a construction of the Monster based on the representation ρ as above. We also give a new word shortening algorithm. We have implemented the group operation in \mathbb{M} using that new algorithm in the software project [14]. There the run time for the group operation is a bit less than 50 milliseconds on the author's PC, which has an Intel i7-8750H CPU at about 4 GHz. So this is the first implementation of the group operation of the Monster that a user can run interactively on a computer.

We have also implemented the word shortening algorithm in [15]; here a group operation using that algorithm takes about 50 seconds. In 2013 the run time of this operation has been estimated to take 1–2 hours, see [15].

A generating set of elements of \mathbb{M} and its action on ρ has been described in [13]; we will call that generating set Γ . We use the notation in [13] for the generating set of \mathbb{M} , for the basis vectors and the subspaces of ρ , and for groups involved in \mathbb{M} . That notation agrees with the notation in [2] up to a few sign changes.

The implementation [14] contains highly optimized C programs for dealing with the structures involved in the construction of the representation ρ in [2]. These structures comprise the binary Golay code and its cocode, the Parker loop, the Leech lattice Λ (modulo 2 and 3), and also the automorphism groups of these structures.

In [14] we also have highly optimized functions for multiplying a vector in ρ_p , $p = 3, 15$ with a generator in Γ . (We are a bit sloppy here, calling elements of ρ_p also vectors if p is composite.) Multiplication of a vector in ρ_{15} with any generator in Γ costs less than 160 microseconds on the author's computer.

In the remainder of this paper we will describe the mathematical ideas behind the word shortening algorithm in the implementation [14] of the Monster group. In a nutshell, we construct a triple (v_1, v^+, v^-) of fixed vectors in ρ_{15} such that any $g \in \mathbb{M}$ can be reconstructed from the images (v_1g, v^+g, v^-g) . A key ingredient of the new method is to interpret some of the coordinates of these images in terms of the Leech lattice.

2 The maximal subgroup N_0 of the Monster \mathbb{M}

The Monster has a maximal 2-local subgroup N_0 of structure $2^{2+11+22} \cdot (M_{24} \times \text{Sym}_3)$. We use the ATLAS notation for describing the structure of a group, see [3]. The factor $2^{2+11+22}$ describes a certain 2 group, the name M_{24} stands for the Mathieu group acting as a permutation group on 24 elements, and Sym_3 is the symmetric permutation group of 3 elements.

We briefly recap the structures given in [13] that are required for understanding the generators and relations defining N_0 . The group N_0 has been constructed before by Conway [2]. For background we also refer to [1, 4, 8].

Let \mathcal{C} be the *Golay code*, which is the unique 12-dimensional linear code in \mathbb{F}_2^{24} with Hamming distance 8, up to isomorphism. Golay code words have weight 0, 8, 12, 16, or 24. Code words of weight 8 and 12 are called *octads* and *dodecads*, respectively. Let \mathcal{C}^* be the cocode of \mathcal{C} , with scalar product $\langle d, \delta \rangle \in \mathbb{F}_2$ for $d \in \mathcal{C}, \delta \in \mathcal{C}^*$. An element of \mathcal{C}^* either has a unique representative of weight less than 4 in \mathbb{F}_2^{24} , or a set of six disjoint representatives of weight 4. Such a set of six representatives is called a *sextet*; the representatives in a sextet are called *tetrads*. We identify the elements of \mathbb{F}_2^{24} with the subsets of the set of the basis vectors of \mathbb{F}_2^{24} . The automorphism group of \mathcal{C} is the Mathieu group M_{24} , which acts quintuply transitive on the basis vectors of \mathbb{F}_2^{24} .

The Parker loop \mathcal{P} is a non-associative Moufang loop which is a double cover of the Golay code written multiplicatively. We write 1 for the neutral element in \mathcal{P} and -1 for the other preimage of the zero element of \mathcal{C} in \mathcal{P} . We write Ω for one preimage of the (unique) Golay code of weight 24 in \mathcal{P} . Set-theoretic operations on elements of \mathcal{P} are interpreted as

operations on subsets of \mathbb{F}_2^{24} corresponding to the images of these elements in \mathcal{C} , as in [2]. So the intersection of two elements of \mathcal{P} has a natural interpretation as an element of \mathbb{F}_2^{24} or of \mathcal{C}^* ; and the set Ω corresponds to the set of basis vectors of \mathbb{F}_2^{24} . For any $i \in \Omega$ we abbreviate the cocode word $\{i\}$ of weight 1 to i . We write $|d|$ for the cardinality of a set d . The centre of \mathcal{P} is $\{\pm 1, \pm \Omega\}$, and we have

$$a^2 = (-1)^{|a|/4}, \quad a \cdot b = (-1)^{|a \cap b|/2} \cdot b \cdot a, \quad (a \cdot b) \cdot c = (-1)^{|a \cap b \cap c|} \cdot a \cdot (b \cdot c); \quad a, b, c \in \mathcal{P}.$$

Let $\text{Aut}_{\text{St}}\mathcal{P}$ be the set of *standard automorphisms* of \mathcal{P} , i.e. the set of automorphisms that map to an automorphism of \mathcal{C} in M_{24} when factoring out $\{\pm 1\}$. Any $\delta \in \mathcal{C}^*$ acts as a standard automorphism on \mathcal{P} given by $d \mapsto (-1)^{\langle d, \delta \rangle} d$ for $d \in \mathcal{P}$; we call δ a *diagonal automorphism* of \mathcal{P} . For $\pi \in \text{Aut}_{\text{St}}\mathcal{P}$ we put $|\pi| = 0$ if π fixes Ω and $|\pi| = 1$ if π negates Ω ; for $\delta \in \mathcal{C}^* \subset \text{Aut}_{\text{St}}\mathcal{P}$ this agrees with the parity of δ in \mathcal{C}^* . The group $\text{Aut}_{\text{St}}\mathcal{P}$ has structure $2^{12}.M_{24}$; the extension does not split, and the normal subgroup of structure 2^{12} is isomorphic to the group \mathcal{C}^* of diagonal automorphisms.

We follow the conventions in [2] for denoting elements of \mathcal{P} , \mathcal{C} and \mathcal{C}^* :

d, e	denote elements of \mathcal{P} or, loosely, of its homomorphic image \mathcal{C} ,
δ, ϵ ,	denote elements of \mathcal{C}^* ,
i, j	denote elements of Ω , also considered as elements of \mathcal{C}^* of weight 1,
$d \cap e$	denotes the subset $d \cap e$ of \mathbb{F}_2^{24} , also considered as an element of \mathcal{C}^* ,
π, π', π''	denote elements of $\text{Aut}_{\text{St}}\mathcal{P}$.

In [13] we have defined a subgroup N_{x_0} of \mathbb{M} of structure $2_+^{1+24}.2^{11}.M_{24}$ with generators $x_\delta, x_d, y_d, x_\pi, \delta \in \mathcal{C}^*, d \in \mathcal{P}, \pi \in \text{Aut}_{\text{St}}\mathcal{P}$. In N_{x_0} we have the following relations:

$$\begin{aligned} x_d x_e &= x_{de} x_{d \cap e}, & y_d y_e &= y_{de} x_{d \cap e}, & x_\delta x_\epsilon &= x_{\delta \epsilon}, \\ [x_d, y_e] &= x_{d \cap e} x_\Omega^{|d \cap e|/2}, & [x_d, x_\delta] &= x_{-1}^{\langle d, \delta \rangle}, & [y_d, x_\delta] &= y_{-1}^{\langle d, \delta \rangle}, \\ y_\Omega &= x_{-1}, & y_{-1} &= x_{-\Omega}, \\ x_\pi x_{\pi'} &= x_{\pi \pi'}, & x_d x_\pi &= x_\pi x_{d^\pi}, & y_d x_\pi &= y_\pi x_{d^\pi}; \end{aligned} \quad (2.0.1)$$

for $d, e \in \mathcal{P}; \delta, \epsilon \in \mathcal{C}^* \subset \text{Aut}_{\text{St}}\mathcal{P}; \pi, \pi' \in \text{Aut}_{\text{St}}\mathcal{P}$. Here $[a, b]$ is the commutator $a^{-1}b^{-1}ab$, and $d \cap e$ is an element of \mathcal{C}^* . We obtain a larger group N_0 of structure $2^{2+11+22}.(M_{24} \times \text{Sym}_3)$ with $N_0 : N_{x_0} = 3$ by adding another generator τ satisfying the relations:

$$\tau^3 = 1, \quad x_d \tau = \tau y_d, \quad y_d \tau = \tau (x_d y_d)^{-1}, \quad \tau x_\pi = x_\pi \tau^\nu, \quad \text{where } \nu = (-1)^{|\pi|}. \quad (2.0.2)$$

The group N_0 is a maximal subgroup of the Monster \mathbb{M} . Our relations in the generators of N_0 are established in [13], Theorem 5.1. The group N_{x_0} has a normal subgroup Q_{x_0} generated by $x_d, x_\delta, d \in \mathcal{P}, \delta \in \mathcal{C}^*$. The group Q_{x_0} has structure 2_+^{1+24} . This means that Q_{x_0} is an extraspecial 2 group of order 2^{1+24} of plus type. In the next section we will establish an isomorphism between the quotient of Q_{x_0} by its centre $\{x_{\pm 1}\}$, and the Leech lattice modulo 2. This is a vital step for constructing another maximal subgroup G_{x_0} of \mathbb{M} .

Computation in the group N_0 is easy using the generators and relations given above; on the author's computer the group operation in N_0 costs less than a microsecond. The groups N_0, N_{x_0} , and Q_{x_0} have been constructed before by Conway [2] with the same set of generators, but with slightly different relations.

For practical computations we use the basis of the Golay code \mathcal{C} in \mathbb{F}_2^{24} defined in the documentation of the project [14]; there the basis vectors in Ω are numbered from 0 to 23. The Golay code obtained from that basis is the same as in [4], Chapter 11, and in [13]. Occasionally we write an subset of Ω representing an element of \mathbb{F}_2^{24} as a set of integers $0 \leq i < 24$, with the obvious meaning. An element d_i of the Parker loop \mathcal{P} is represented as a pair (\tilde{d}_i, μ_i) with $\tilde{d}_i \in \mathcal{C}, \mu_i \in \mathbb{F}_2$. In [14] a *cocycle* $\theta : \mathcal{C} \times \mathcal{C} \rightarrow \mathbb{F}_2$ is defined, so that the product in \mathcal{P} is given by:

$$(\tilde{d}_1, \mu_1) \cdot (\tilde{d}_2, \mu_2) = (\tilde{d}_1 + \tilde{d}_2, \mu_1 + \mu_2 + \theta(\tilde{d}_1, \tilde{d}_2)).$$

That cocycle θ satisfies the conditions in [13], Section 3.3, so that we may use the results in [13] for computations in the representation ρ of \mathbb{M} . θ is quadratic in the first and linear in the second argument; so it can also be considered as a function from \mathcal{C} to \mathcal{C}^* . Cocycles in a loop like \mathcal{P} are discussed in [1], Chapter 4. An element (\tilde{d}_i, μ_i) of \mathcal{P} is called *positive* if $\mu_i = 0$ and *negative* otherwise. We remark that Ω is positive.

3 The Leech lattice and the maximal subgroup G_{x0} of \mathbb{M}

Let \mathcal{C} be the Golay code in \mathbb{F}_2^{24} as in the last section. Let $\{\eta_i, i \in \Omega\}$ be a basis of the Euclidean vector space \mathbb{R}^{24} so that the basis vectors of both, \mathbb{F}_2^{24} and \mathbb{R}^{24} , are labelled by the elements of the same set Ω . Then the Leech lattice is the set of vectors $u = \sum_{i \in \Omega} u_i \eta_i$, $u_i \in \mathbb{Z}$, such that there is an $m \in \{0, 1\}$ and a $d \in \mathcal{C}$ with

$$\begin{aligned} \forall i \in \Omega : \quad u_i &= m + 2 \cdot \langle d, i \rangle & (\text{mod } 4), \\ \sum_{i \in \Omega} u_i &= 4m & (\text{mod } 8). \end{aligned}$$

Here we scale the basis vectors of \mathbb{R}^{24} so that they have length $\frac{1}{\sqrt{8}}$ and not 1. Then Λ is the unique even unimodular lattice such that the shortest nonzero vector has squared norm 4, see e.g. [4], Chapter 4, Section 11 for background. Thus for vectors $u, v \in \Lambda$ with coordinates u_i, v_i the scalar product $\langle u, v \rangle$ is equal to $\frac{1}{8} \sum_{i \in \Omega} u_i v_i$. For $u \in \Lambda$ we define $\text{type}(u) = \frac{1}{2} \langle u, u \rangle$; so the shortest nonzero vector in Λ is of type 2.

Let $\Lambda/2\Lambda$ be the Leech lattice modulo 2. There is a homomorphism λ from Q_{x0} onto $\Lambda/2\Lambda$, with kernel $\{x_{\pm 1}\}$, given by:

$$x_d \xrightarrow{\lambda} \frac{1}{2} \sum_{j \in d} \lambda_j, \quad x_i \xrightarrow{\lambda} \lambda_i, \quad \text{for } d \in \mathcal{P}, i \in \Omega, \quad \text{where } \lambda_i = -4\eta_i + \sum_{j \in \Omega} \eta_j.$$

We write

$$\begin{aligned} x_r, x_s & \text{ for general elements of } Q_{x0}, \\ \lambda_r, \lambda_s & \text{ for the elements } \lambda(x_r), \lambda(x_s) \text{ of } \Lambda/2\Lambda. \end{aligned}$$

For $x_r, x_s \in Q_{x0}$ we have

$$[x_r, x_s] = x_{-1}^{(\lambda_r, \lambda_s)}, \quad x_r^2 = x_{-1}^{\text{type}(\lambda_r)}.$$

The mapping $\lambda_r \mapsto \text{type}(\lambda_r) \pmod{2}$ defines the natural nonsingular quadratic form on $\Lambda/2\Lambda$. For a proof of these statements see [13], Theorem 6.1. The homomorphism λ has been introduced earlier in [2].

The type of a vector in $\Lambda/2\Lambda$ is the type of its shortest preimage in Λ . Every vector in $\Lambda/2\Lambda$ has type 0, 2, 3, or 4. Vectors of type 2 are called *short*; there are 98280 short vectors in $\Lambda/2\Lambda$. The automorphism groups of Λ and $\Lambda/2\Lambda$ are called Co_0 and Co_1 . The group Co_1 is simple, and Co_0 has structure $2 \cdot \text{Co}_1$. Co_0 and Co_1 are transitive on the set of vectors of type t for $t \leq 4$. A vector of type 2 or 3 in $\Lambda/2\Lambda$ has two opposite preimages of the same type in Λ . The vector $\lambda_\Omega = \lambda(x_\Omega)$ in $\Lambda/2\Lambda$ is of type 4; its preimages of type 4 in Λ are the 48 vectors of type 4 proportional to the unit vectors in \mathbb{R}^{24} .

For any $\lambda_r \in \Lambda/2\Lambda$ put $\Lambda(\lambda_r) = \{v \in \Lambda \mid \text{type}(v) = \text{type}(\lambda_r)\}$. Recall that our unit vectors of Λ have norm $1/\sqrt{8}$, so e.g. $\Lambda(\lambda_\Omega)$ is the set of all vectors $\{0, \dots, 0, \pm 8, 0, \dots, 0\}$ in Λ . Note that the vectors in $\Lambda(\lambda_r)$ have integer coordinates for all $\lambda_r \in \Lambda/2\Lambda$.

We can construct a maximal subgroup G_{x0} of structure $2_+^{1+24} \cdot \text{Co}_1$ of \mathbb{M} with $G_{x0} \cap N_0 = N_{x0}$ as follows. The extraspecial normal subgroup Q_{x0} of N_{x0} has a unique irreducible real representation 4096_x of dimension 4096, see [2, 8]. That representation may be extended to a representation of a (unique) group of structure $2_+^{1+24} \cdot \text{O}_{24}^+(2)$, where $\text{O}_{24}^+(2)$ is the orthogonal group on \mathbb{F}_2^{24} of plus type. Since $\text{Co}_1 \subset \text{O}_{24}^+(2)$, we also obtain a representation 4096_x of a group G'_{x0} of structure $2_+^{1+24} \cdot \text{Co}_1$.

If G_1, G_2 are groups with a common factor group H and homomorphisms $\phi_i : G_i \rightarrow H$, $i = 1, 2$, then the *fiber product* $G_1 \triangleleft_H G_2$ is the subgroup of the direct product $G_1 \times G_2$ defined by:

$$G_1 \triangleleft_H G_2 = \{(x, y) \in G_1 \times G_2 \mid \phi_1(x) = \phi_2(y)\} .$$

We define G_{x_0} by

$$G_{x_0} = \frac{1}{2}(G'_{x_0} \triangleleft_{\text{Co}_0} \text{Co}_0).$$

Here the factor $\frac{1}{2}$ means that we identify the centres (of order 2) of the groups G'_{x_0} and Co_0 .

Computation in Co_0 is easy. Computation in 4096_x can be greatly accelerated by using the fact that a certain basis of the underlying vector space $V = \mathbb{R}^{4096}$ has a natural structure as a 12-dimensional affine space over \mathbb{F}_2 . Using such a basis, the standard basis of $\text{hom}(V, V)$ inherits the structure of 24-dimensional affine space A over \mathbb{F}_2 . It turns out that a matrix in $\text{hom}(V, V)$ representing a group element has coefficients with a fixed absolute value in an affine subspace of A , and that the coefficients are zero elsewhere. The signs of the nonzero coefficients of the matrix are essentially given by a quadratic form on that subspace. Using these ideas, the group operation in G_{x_0} can be done in a bit more than 10 microseconds on the author's computer. For details we refer to the documentation of the project [14].

Using the functions in [14] we may compute the character of any element of the subgroup G_{x_0} of \mathbb{M} in the 196883-dimensional real representation of \mathbb{M} in a few ten milliseconds.

4 The 196884-dimensional representation of \mathbb{M}

Let 24_x be the representation of the group Co_0 on \mathbb{R}^{24} as the automorphism group of the Leech lattice Λ , and let 4096_x be as in the last section. Then G_{x_0} has a faithful rational representation $4096_x \otimes 24_x$. This construction of the maximal subgroup G_{x_0} of \mathbb{M} and of its representation $4096_x \otimes 24_x$ is due to Conway [2]; where the generators $d_\delta, x_d, y_d, x_\pi$ of the maximal subgroup N_{x_0} of G_{x_0} are given explicitly. In [13] we explicitly give another generator ξ of order 3 in $G_{x_0} \setminus N_{x_0}$. Using the basis of Λ in [4], Chapter 4, Section 11, the generator ξ acts on Λ by right multiplication with the matrix

$$\begin{pmatrix} AB & & & & & \\ & AB & & & & \\ & & AB & & & \\ & & & AB & & \\ & & & & AB & \\ & & & & & AB \end{pmatrix}, \quad A = \frac{1}{2} \begin{pmatrix} -1 & 1 & 1 & 1 \\ 1 & -1 & 1 & 1 \\ 1 & 1 & -1 & 1 \\ 1 & 1 & 1 & -1 \end{pmatrix}, \quad B = \begin{pmatrix} -1 & & & & & \\ & 1 & & & & \\ & & & 1 & & \\ & & & & & 1 \end{pmatrix}. \quad (4.0.1)$$

The group G_{x_0} operates on its normal subgroup Q_{x_0} by conjugation. Let 98280_x be a real vector space, with basis vectors $X_{d,\delta}$, $d \in \mathcal{P}$, $\delta \in \mathcal{C}^*$, such that $\text{type}(\lambda(x_d \cdot x_\delta)) = 2$. We identify $X_{-d,\delta}$ with $-X_{d,\delta}$. Then an element of G_{x_0} operates on $X_{d,\delta}$ in the same way as it operates on $x_d \cdot x_\delta$ by conjugation. With this operation the space 98280_x is a 98280-dimensional monomial representation of G_{x_0} .

For constructing the 196884-dimensional representation ρ of \mathbb{M} we also need the symmetric tensor square $300_x = 24_x \otimes_{\text{sym}} 24_x$. Note that 24_x is not a representation of G_{x_0} , but 300_x is. Vectors in 24_x can be given by coordinates labelled by the 24 elements of Ω . Then the elements of 300_x have a natural interpretation as symmetric real 24×24 matrices. For $i, j \in \Omega$ we write $\eta_{i,j}$ for the symmetric matrix with an entry 1 in row i , column j , and also in row j , column i (and zeros elsewhere), acting as a basis vector of 300_x . We number the elements of Ω from 0 to 23, so that e.g. $\eta_{2,3}$ has an obvious meaning as a basis vector of 300_x .

We define the representation ρ of G_{x_0} by:

$$\rho = 300_x \oplus 98280_x \oplus 4096_x \otimes 24_x.$$

For extending ρ to a representation of \mathbb{M} , Conway [2] defines the action of the generator $\tau \in \mathbb{M} \setminus G_{x_0}$ of order 3 on ρ . For a proof that ρ actually represents \mathbb{M} , he has to show that there is a certain algebra on ρ invariant under \mathbb{M} . Therefore he constructs an algebra visibly invariant under G_{x_0} , and he shows that this algebra is also invariant under τ . That algebra is called the *Griess algebra*; it has first been constructed by Griess [5].

The representation 300_x can also be decomposed as $300_x = 1_x \oplus 299_x$, where 1_x is the trivial representation of G_{x_0} corresponding to the subspace of 300_x spanned by the 24×24 unit matrix 1_ρ in 300_x ; and 299_x is an irreducible representation of G_{x_0} . Then we have $\rho = 1_x \oplus 196883_x$, where

$$196883_x = 299_x \oplus 98280_x \oplus 4096_x \otimes 24_x$$

is the smallest faithful irreducible representation of \mathbb{M} in characteristic 0.

The representation ρ preserves a positive-definite quadratic form. The basis vectors $\eta_{i,j}$ have squared norm 2 for $i \neq j$, and the basis vectors $\eta_{i,i}$, $X_{d,\delta}$ have norm 1, with respect to that form. Any two of these basis vectors are orthogonal, unless equal or opposite. We do not name any basis vectors of $4096_x \otimes 24_x$, since we do not need these names in this paper.

We have seen that the following set Γ generates the Monster group \mathbb{M} :

$$\Gamma = \{x_\delta, x_d, y_e, x_\pi, \tau^k, \xi^k \mid \delta \in \mathcal{C}^*; d, e \in \mathcal{P}; \pi \in \text{Aut}_{\text{St}} \mathcal{P}; k \in \mathbb{Z}/3\mathbb{Z}\} ,$$

and the operation of these generators is defined in the representation ρ of \mathbb{M} . The matrices in ρ representing the generators in Γ are sparse matrices. Any such matrix can be represented as a product of a monomial matrix, and a sequence of up to six matrices of Hadamard type. Here a matrix of Hadamard type is a matrix with diagonal blocks and blocks of 2×2 matrices of shape $c \begin{pmatrix} 1 & 1 \\ 1 & -1 \end{pmatrix}$ for $c \in \{\frac{1}{2}, 1\}$. So for any odd integer $p > 1$ we may define the representation ρ_p of the Monster as the representation ρ , with matrix coefficients taken modulo p . Computation in ρ is simpler than computation in 196883_x , because the denominators of the entries of the matrices in ρ are powers of two.

While computations in the maximal subgroups N_0 and G_{x_0} of \mathbb{M} are easy, the multiplication of general matrices in the representation ρ or ρ_p of \mathbb{M} is way beyond our capabilities.

The essential contribution of this paper is to show that any element of \mathbb{M} can be reconstructed as word in Γ from the images of three fixed vectors in ρ_{15} .

5 Recongizing an element of G_{x_0} in \mathbb{M}

Given an element g of \mathbb{M} as a word in Γ , we want to check if g is in the maximal subgroup G_{x_0} of \mathbb{M} . If this is the case then we also want to obtain a representation of g as a word in the generators of G_{x_0} . That representation should depend on the value of g only, and not on the given representation of g as a word in Γ . In this section we construct a $v_1 \in \rho_{15}$ such that every $g \in G_{x_0}$ can effectively be reconstructed as a word in the generators of G_{x_0} from $v_1 \cdot g$. The algorithm for reconstructing g also detects if g is in G_{x_0} or not.

An algorithm for solving that problem must certainly be able to detect if a word in Γ is the identity or not. For this purpose we may use two nonzero vectors v_{71} and v_{94} in the representation 198883_x of \mathbb{M} that are fixed by an element of order 71 and negated by an element of order 94, respectively. In [9] it is shown that only the neutral element of \mathbb{M} fixes both vectors v_{71} and v_{94} . So we may check if an element is the identity in the Monster. Here the corresponding calculations can be done modulo any odd prime; and we may even use different primes for the operation on v_{71} and on v_{94} . Since we actually compute in the representation ρ of \mathbb{M} , we must make sure that the projections of the vectors v_{71} and v_{94} from ρ onto the subspace 196883_x are not zero.

We generate v_{71} as a vector in the representation ρ_3 of the Monster in characteristic 3, and v_{94} as a vector in the representation ρ_5 of the Monster in characteristic 5. We combine these two vectors to a vector v_1 in the representation ρ_{15} via Chinese remaindering. Note

that a computation in ρ_{15} is faster than the combination of two similar computations in ρ_3 . We will impose additional restrictions onto the vector v_3 , so that membership in G_{x_0} can be tested.

In the last section we have seen that an element of the subspace 300_x of ρ corresponds to a symmetric matrix on the space \mathbb{R}^{24} containing Λ . For $v \in \rho$ we write $M(v)$ for the symmetric matrix on \mathbb{R}^{24} corresponding to the projection of v onto 300_x ; and we write $M_p(v)$ for the matrix $M(v)$ with entries taken modulo p . When searching for a vector $v_{71} \in \rho_3$ fixing an element of order 71, we impose an additional condition on the matrix $M_3(v_{71})$. Namely, we require that $M_3(v_{71})$ has corank 1, and that the kernel of $M_3(v_{71})$ contains a basis vector of \mathbb{R}^{24} . In Appendix B we estimate the cost of finding a suitable vector v_{71} . On the author's computer this takes less than a minute in average; and it suffices to find one such vector v_{71} .

Given a fixed suitable $v_{71} \in \rho_3$ and a $g \in \mathbb{M}$ as a word in Γ , we can compute the kernel of $M_3(v_{71} \cdot g)$. In case $g \in G_{x_0}$ that kernel is spanned by the image of a basis vector of Λ (modulo 3); and we can easily compute the image of that basis vector in Λ under g from its coordinates (modulo 3) up to sign. So we can also compute the image $\lambda_\Omega g$ of the standard coordinate frame λ_Ω in $\Lambda/2\Lambda$. Note that the group N_{x_0} is the centralizer of the standard frame λ_Ω in G_{x_0} . Thus the image $\lambda_\Omega g$ of λ_Ω describes the right coset $N_{x_0} \cdot g$ in G_{x_0} . In Appendix A we show how to compute a representative h of the coset $N_{x_0} \cdot g$ from a vector $\lambda_\Omega g \in \Lambda/2\Lambda$. There we compute h as a word in the generators of G_{x_0} . Then $gh^{-1} \in N_{x_0}$.

So we are left with the identification of an element g of N_{x_0} from a vector $v_1 g$, where $v_1 \in \rho_{15}$ is fixed as above. The factor group M_{24} of N_{x_0} acts on the matrix $M_{15}(v_1)$ by permuting the rows and columns of $M_{15}(v_1)$ as given by the natural permutation action of M_{24} , up to sign changes in the matrix. Thus M_{24} permutes the multisets given by the absolute values of the entries of a row. For a random matrix $M_{15}(v_1 \cdot g)$, $g \in N_{x_0}$, we can almost certainly recover the permutation in M_{24} corresponding to g from the operation on these multisets. In the implementation we compute a hash function on the 24 multisets given by the absolute values of the entries of the rows of $M_{15}(v_1)$, and we precompute a new vector v_1 if the 24 hash values are not mutually different. So we can easily find a generator x_π , $\pi \in \text{Aut}_{\text{St}} \mathcal{P}$, such that gx_π^{-1} is in the kernel of structure $2^{1+24+11}$ of the homomorphism $N_{x_0} \rightarrow M_{24}$.

An element g in the group $2^{1+24+11}$ given above can be reduced to an element of $Q_{x_0} = 2^{1+24}$ by a sequence of sign checks in the matrix $M_{15}(v_1 \cdot g)$. (In the unlikely case that $M_{15}(v_1)$ has too many zero entries we just precompute another $v_1 \in \rho_{15}$).

Finally, an element of the extraspecial 2-group Q_{x_0} can be recognized by a sequence of sign checks in the parts of v_1 that are not contained 300_x . At the end we arrive at a relation $gh = 1$ for a word h in the generators of G_{x_0} ; and we have to check that gh really fixes v_1 .

The algorithm sketched in this section succeeds if the input g is in G_{x_0} and fails otherwise. In case of failure we abort as early as possibly in order to minimize the average run time in that case.

6 The strategy for reducing an element of \mathbb{M}

In this section we define two vectors $v^+, v^- \in \rho_{15}$ that are fixed by two conjugate maximal subgroups H^+, H^- of \mathbb{M} of structure $2.B$, where B is the Baby Monster. These two subgroups intersect in a subgroup $H = H^+ \cap H^-$ of G_{x_0} . Thus for any $g \in \mathbb{M}$ the images v^+g and v^-g determine the coset Hg . We will sketch a method for computing a representative h of the coset Hg as a word in Γ from v^+g and v^-g . Then $gh^{-1} \in H \subset G_{x_0}$. So using the algorithm and the vector $v_1 \in \rho_{15}$ defined in the last section we can effectively compute g as a word in Γ from gv^+, gv^- , and gv_1 . More details of the algorithm for computing a suitable representative h will be given in the next sections.

The Monster \mathbb{M} has two classes of involutions, which are called 2A and 2B in the ATLAS [3]. The group G_{x_0} is the centralizer of the 2B involution x_{-1} in \mathbb{M} . The centralizer of a

2A involution is a group of structure $2.B$. In the subgroup Q_{x_0} of \mathbb{M} the 2A involutions are precisely the elements corresponding to vectors of type 2 in $\Lambda/2\Lambda$, i.e. in the Leech lattice mod 2.

In the remainder of this paper let β be the fixed element of the Golay cocode \mathcal{C}^* given by the subset $\{2, 3\}$ of $\Omega = \{0, \dots, 23\}$, using the basis of \mathcal{C} in [14]. Then x_β is a 2A involution in the subgroup Q_{x_0} of \mathbb{M} . x_β centralizes ξ and τ . In $\Lambda/2\Lambda$ the vector $\lambda_\beta = \lambda(x_\beta)$ is of type 2.

Let H^+ be the centralizer of the 2A involution x_β . We write $x_{-\beta}$ for the 2A involution $x_{-1} \cdot x_\beta$ and H^- for the centralizer of $x_{-\beta}$. Since $x_\beta \cdot x_{-\beta} = x_{-1}$, we have $H \subset G_{x_0}$ for $H := H^+ \cap H^-$. One can show that $H = H^+ \cap G_{x_0}$, and that H has structure $2^{2+22} \cdot \text{Co}_2$, where Co_2 is the (simple) subgroup of Co_1 fixing the type-2 vector λ_β in $\Lambda/2\Lambda$.

A few words for justifying our choice of $\beta \in \mathcal{C}^*$ are appropriate. We require that x_β is a 2A involution in \mathbb{M} . For simplifying computations in the centralizer H^+ of x_β we also want to have $\tau, \xi \in H^+$ for the generators τ, ξ . This restricts β to an element of \mathcal{C}^* of weight 2 which is *coloured* in the terminology of [13]. The coloured cocode words correspond to the elements of the cocode of the *hexacode*, which is a 3-dimensional linear code in \mathbb{F}_4^6 with Hamming distance 4, as defined in [4]. Here our Golay cocode word β corresponds to the element of the cocode of the hexacode given by $(1, 0, \dots, 0) \in \mathbb{F}_4^6$, which is a fairly natural choice.

The subgroups of \mathbb{M} relevant for our purposes (together with their structure) are shown in Figure 1. There arrows mean inclusion of groups. If an arrow is labelled with one or more generators then all generators of that shape must be added to the subgroup in order to obtain the group to which the arrow points. If an arrow is labelled with a set of generators preceded by a ' \subset ' symbol then some, but not all generators of that shape must be added instead.

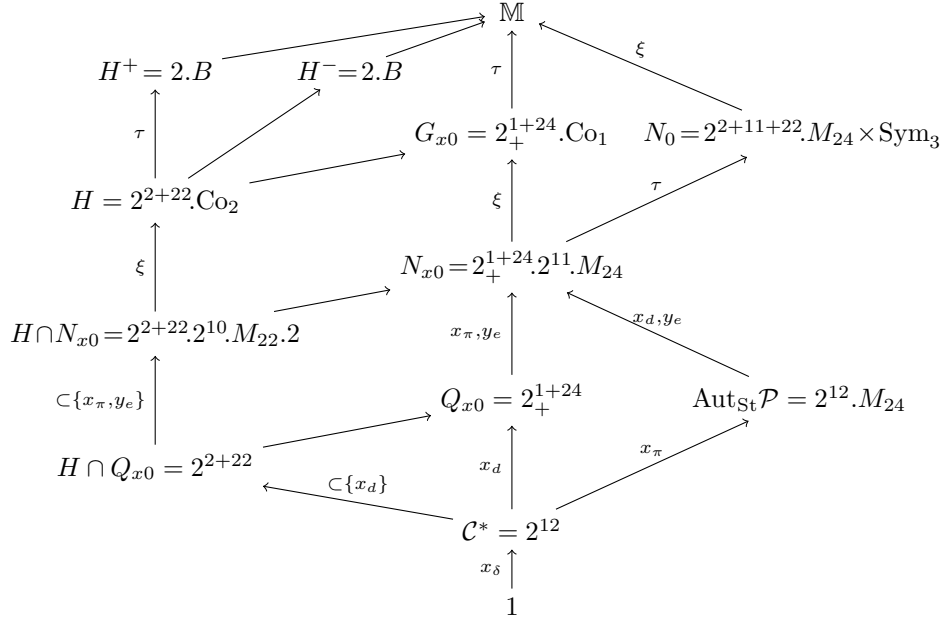


Figure 1: Some subgroups of the Monster \mathbb{M} .

Let g be an element of \mathbb{M} such that the space of the vectors in the representation 196883_x , which are fixed by the centralizer $C_{\mathbb{M}}(g)$ of g in \mathbb{M} , is one-dimensional. In [2], a vector in $\rho \setminus 1_x$ that is fixed by $C_{\mathbb{M}}(g)$ is called an *axis* of g . If g has an axis then that axis is unique up to a scalar factor, and up to an additive multiple of the element 1_ρ in 1_x corresponding

to the unit matrix in 300_x .

Every 2A involution in \mathbb{M} has an axis in ρ . For brevity, an axis of a 2A involution is called a 2A axis. Define vectors v^+, v^- in the subspace $300_x \oplus 96280_x$ of ρ by:

$$v^+ = \eta_{2,2} + \eta_{3,3} - \eta_{2,3} - 2X_\beta, \quad v^- = \eta_{2,2} + \eta_{3,3} - \eta_{2,3} + 2X_\beta,$$

with $\eta_{i,j}$ and X_r as in Section 4. Then v^+ and v^- are axes of x_β and $x_{-\beta}$, respectively, see [2]. The axes v^\pm have squared norm $\|v^\pm\|^2 = 8$ and scalar product $\langle v^\pm, 1_\rho \rangle = 2$. We also have $\langle v^\pm, v^\pm * v^\pm \rangle > 0$, where $'*$ ' denotes the operation of the Griess algebra defined in [2]. Any 2A involution $t \in \mathbb{M}$ has a unique 2A axis satisfying these three properties, and we write $\text{ax}(t)$ for that specific axis. All 2A axes occurring in this paper are obtained as images of v^\pm , and it suffices to know their coordinates modulo 15. So for practical computations we may assume $v^\pm \in \rho_{15}$.

Given two 2A axes $v^+ \cdot g$ and $v^- \cdot g$ for some (not explicitly specified) element g of \mathbb{M} we want to find an element h of \mathbb{M} (given as a word in Γ) that maps the axes $v^+ \cdot g$ and $v^- \cdot g$ to v^+ and v^- . Then gh^{-1} fixes v^+ and v^- , which implies $gh^{-1} \in H \subset G_{x_0}$.

When searching for h we first try to find a $h_1 \in \mathbb{M}$ that maps $v = v^+ \cdot g$ to v^+ . Then $gh_1^{-1} \in H^+$, and we try to find a $h_2 \in H^+$ that maps $v^- \cdot gh_1^{-1}$ to v^- . Note that h_2 fixes v^+ .

In this section describe the basic method for finding h_1 . Here we have to transform an arbitrary 2A axis to the standard 2A axis v^+ . The total number of 2A axes in is a bit less than 10^{20} , so we cannot expect that task to be easy. The group G_{x_0} has 12 orbits on the set of 2A axes, see [12]; and the coordinates of a 2A axis encode quite a bit of geometric information, as indicated below. As we will see in the next section, finding a suitable h_1 is possible. For finding h_2 we will use a similar strategy as described in Section 8.

For $v \in \rho$ let $M(v)$ be the real symmetric 24×24 matrix corresponding to the projection of v onto 300_x , as in the last section. An element g of G_{x_0} acts as an orthogonal transformation matrix M_g on the Leech lattice, which is defined up to sign. Then g maps $M(v)$ to $M_g^T \cdot M(v) \cdot M_g$. Hence some algebraic invariants such as the eigenvalues of $M(v)$ are actually properties of the orbit vG_{x_0} , so that they can be used to identify the orbit vG_{x_0} .

Occasionally, we also want to evaluate $M(v)$ at a type-2 vector $\lambda_r \in \Lambda/2\Lambda$. Let $\Lambda_r \in \Lambda(\lambda_r)$, with $\Lambda(\cdot)$ as in Section 3; i.e. Λ_r is a shortest preimage of λ_r in the Leech lattice. Then we put $M(v, \lambda_r) = \Lambda_r \cdot M(v) \cdot \Lambda_r^T$. This is well defined, since Λ_r is unique up to sign.

A transformation in \mathbb{M} that maps a 2A axis v to v^+ has a representation as a word

$$g_1 \cdot \tau_1 \cdot g_2 \cdot \tau_2 \cdot \dots \cdot \tau_{n-1} \cdot g_n,$$

with $g_\nu \in G_{x_0}$ and τ_ν a power of τ . Let v be a 2A axis. Then τ_ν may change the orbit vG_{x_0} , but g_ν does not. Let $l(v)$ be the minimum number of occurrences of a power of τ in a word h' of generators in Γ such that $vh' = v^+$. Actually, $l(v)$ depends on the orbit vG_{x_0} only. So given a 2A axis v we essentially have to find a $g' \in G_{x_0}$ such that $l(v \cdot g'\tau^k) < l(v)$ for a $k = \pm 1$.

For a 2A axis v , how does a power of τ change the orbit vG_{x_0} ? From (2.0.2) we conclude

$$N_{x_0}\tau^k \subset \tau^k N_{x_0} \cup \tau^{-k} N_{x_0}, \quad \text{for all } k \in \mathbb{Z}. \quad (6.0.1)$$

Thus the set $\{v\tau^k G_{x_0} \mid k = \pm 1\}$ of orbits depends on the orbit vN_{x_0} of v only. So given an axis v we may first identify its orbit vG_{x_0} , and then search for an orbit $vg'N_{x_0}$, $g' \in G_{x_0}$, such that $\min\{l(vg'N_{x_0}\tau^k) \mid k = \pm 1\} < l(v)$.

The group N_{x_0} is the stabilizer of the standard frame λ_Ω in $\Lambda/2\Lambda$ with respect to the action of G_{x_0} . Thus searching for a suitable $g'N_{x_0}$ in G_{x_0} amounts to searching for a type-4 vector λ_r in $\Lambda/2\Lambda$ such that $\lambda_r g' = \lambda_\Omega$. In Appendix A we will show how to compute a representative of the coset $g'N_{x_0}$ in G_{x_0} from a vector λ_r with $\lambda_r g' = \lambda_\Omega$. Note that both, λ_Ω and λ_r are type-4 vectors in $\Lambda/2\Lambda$. So given a 2A axis v , our task is to find a type-4 vector $\lambda_r \in \Lambda/2\Lambda$, such that for the coset $g'N_{x_0}$ with $\lambda_r g' = \lambda_\Omega$ we have $\min\{l(vg'N_{x_0}\tau^k) \mid k =$

$\pm 1\} < l(v)$. As we will show in the next section, we may quickly identify the orbit vG_{x_0} of any 2A axis v . So finding an exponent $k = \pm 1$ that minimizes $l(vg'\tau^k)$ is easy.

Here we have to treat the 12 orbits of G_{x_0} on 2A axes separately. In most orbits we expect the number of type-4 vectors that can be used for decrementing the value $l(v)$ for an axis v to be quite small. Having identified the orbit vG_{x_0} , we can look e.g. for small eigenspaces of the matrix $M(v)$ and hope that they will contain suitable type-4 vectors in Λ . It turns out that apart from analysing the matrix $M(v)$ we also have to consider the component of the axis v in the subspace 98280_x of ρ . G_{x_0} acts monomially on 98280_x , without changing the number of coordinates with the same absolute value. Partitioning the basis vectors of 98280_x according to the absolute values of the coordinates of v yields a partition of the set of type-2 vectors in $\Lambda/2\Lambda$. Here we will analyse some of the small sets in that partition. One way to find suitable type-4 vectors is to check the subspace of $\Lambda/2\Lambda$ generated by such a small set for type-4 vectors. We may also analyse the radical of such a subspace, i.e. the intersection of that subspace with its orthogonal complement in $\Lambda/2\Lambda$. We will see that it suffices to do our calculations in the representation ρ_{15} . Computations that require divisions, such as the computation of the kernel of a matrix, will be done in ρ_3 .

7 Orbits of G_{x_0} on 2A axes in \mathbb{M}

Let $v^+ = \text{ax}(x_\beta)$ be the axis of the 2A involution x_β as defined in the last section. In this section we assume that a given vector v in ρ is the axis $\text{ax}(t)$ of an arbitrary (unknown) 2A involution t . Let $l(v)$ be as in the last section. The objective of this section is to construct a $g' \in \mathbb{M}$ with $l(vg') < l(v)$ in case $l(v) > 0$. In case $l(v) = 0$ we will construct a $g' \in G_{x_0}$ with $vg' = v^+$.

Norton [12] has enumerated the twelve orbits of G_{x_0} on the 2A involutions in \mathbb{M} . For a 2A involution t the orbit of t under the action of G_{x_0} is characterized by the class tx_{-1} in \mathbb{M} , where x_{-1} is the central involution in G_{x_0} . The classes of tx_{-1} (in ATLAS notation) are given in column 1 of Table 1. The powers of these classes are given in column 2. The structure of the centralizer of tx_{-1} in G_{x_0} is given in column 3, as in [12].

We have computed representatives of the 12 orbits of G_{x_0} on 2A involutions with the software package [14]. Here the essential information required from [12] is that there are no more than 12 such orbits. Then we may easily find such representatives by computing images v^+h for random elements h of \mathbb{M} , and watermark them e.g. with the set of eigenvalues of the matrix $M(\text{ax}(t)) = M(v^+h)$, where $t = h^{-1}x_\beta h$. These eigenvalues are given in column 4 of Table 1. Column 5 contains the squared norm $\|M(\text{ax}(t))\|$ of the matrix (modulo 15), which we define as the sum of the squares of the eigenvalues or, equivalently, as the sum of the squares of the entries of the matrix.

The package [14] contains a function for computing the real character of the representation 196883_x of an element of \mathbb{M} that powers up to a 2B involution. Thus for any 2A involution t we may check the class containing tx_{-1} against column 1 of Table 1.

Given a 2A axis v , we first calculate $\|M(v)\| \pmod{15}$ for determining the orbit vG_{x_0} . This determines the class of tx_{-1} (with $v = \text{ax}(t)$) uniquely, except if $\|M(v)\| \in \{4, 8, 14\} \pmod{15}$. The cases $\|M(v)\| \in \{8, 14\} \pmod{15}$ are disambiguated by calculating the rank of $\|M(v)\| \pmod{3}$. In case $\|M(v)\| = 4$ we calculate the rank of $M(v) - 2 \cdot 1_\rho \pmod{3}$; if that rank is equal to 23 we also evaluate $M(v)$ on the kernel of $M(v) - 2 \cdot 1_\rho \pmod{3}$.

For a 2A axis v in any of the orbits listed in Table 1 (except for the orbit labelled '2A') we will show how to compute a non-empty set $U_4 = U_4(v)$ of type-4 vectors with:

$$\forall \lambda_r \in U_4(v) \forall g' \in G_{x_0} : \lambda_r g' = \lambda_\Omega \implies \min\{l(vg'\tau^k) \mid k = \pm 1\} < l(v). \quad (7.0.1)$$

Therefore we will construct a set $U = U(v)$ such that the mapping $v \mapsto U(v)$ visibly commutes with the action of G_{x_0} ; and we define $U_4(v)$ to be the set of type-4 vectors in $U(v)$. So it suffices to check Equation 7.0.1 for one representative v of each orbit in Table 1, where U

tx_{-1}	Powers of tx_{-1}	$C_{\mathbb{M}}(tx_{-1})$	Eigenvalues of $256M(ax(t))$	$\ M(ax(t))\ \pmod{15}$
2A		$2^{2+22} \cdot \text{Co}_2$	$512^1, 0^{23}$	4
2B		$2^{2+8+16} \cdot \text{O}_8^+(2)$	$64^8, 0^{16}$	8
4A	2B	$2^{1+22} \cdot \text{M}_{23}$	$144^1, 16^{23}$	14
4B	2A	$(2^7 \times 2^{1+8}) \cdot \text{S}_6(2)$	$72^1, 24^{16}, 8^7$	13
4C	2B	$2^{1+14+5} \cdot \text{A}_8$	$32^8, 16^{16}$	3
6A	2A	$2^2 \cdot \text{U}_6(2) \cdot 2$	$90^1, 26^1, 18^{22}$	4
6C	2B	$2^{3+8} \cdot (3 \times \text{U}_4(2)) \cdot 2$	$34^6, 18^{16}, 10^2$	5
6F	2B	$2^{1+8} \cdot \text{A}_9$	$24^{16}, 16^8$	14
8B	4A, 2B	$2 \cdot 2^{10} \cdot \text{M}_{11}$	$48^1, 24^{12}, 16^{11}$	2
10A	2A	$2 \cdot \text{HS} \cdot 2$	$60^1, 20^{22}, 12^1$	4
10B	2B	$2^{1+8} \cdot (\text{A}_5 \times \text{A}_5) \cdot 2$	$(24 \pm 4\sqrt{5})^4, 20^{16}$	8
12C	6A, 4B, 2A	$2 \times \text{S}_6(2)$	$42^1, 26^7, 18^{16}$	10

Table 1: Orbits of G_{x_0} on 2A involutions in \mathbb{M}

is defined. By (6.0.1) it suffices to check each case of v and each $\lambda_r \in U_4(v)$ for one $g' \in G_{x_0}$ with $\lambda_r g' = \lambda_\Omega$. We shall see below that $U_4(v)$ has size at most 891, so this check can be done (and has been done) computationally.

By a sequence of such reduction steps we may reduce $l(v)$ to 0 as shown in Figure 2.

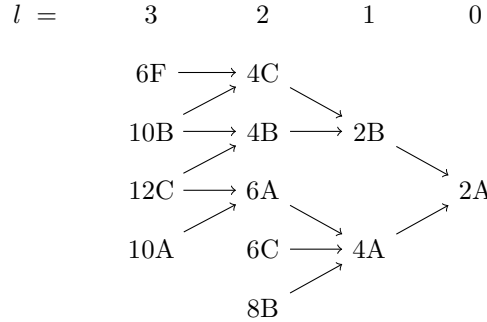


Figure 2: Reduction of a 2A axis v depending on its orbit vG_{x_0}

In case $l(v) = 0$ the 2A axis v is in the orbit labelled '2A'. Let $M(\dots)$ be as in Section 6. The following lemma is easy to show:

Lemma 7.1. *The orbit of G_{x_0} on the 2A involutions corresponding to class 2A in Table 1 consists of the elements x_r of Q_{x_0} such that $\lambda_r = \lambda(x_r)$ is of type 2. For any such element x_r the kernel $\ker(M(ax(x_r)) - 2 \cdot 1_\rho)$ is one-dimensional and spanned by the preimage $\Lambda(\lambda_r)$ of λ_r in the Leech lattice Λ .*

In the remainder of this section we assume that a 2A axis v is given. For each of the 12 orbits of G_{x_0} on the 2A axes listed in Table 1 we show how to check that axis v is in that orbit. For each orbit different from the orbit labelled '2A' we also show how to compute a non-empty set $U = U(v)$ such that the set $U_4(v)$ of type-4 vectors in $U(v)$ satisfies (7.0.1).

Case 2A

Then $\|M(v)\| = 4 \pmod{15}$. Let $M_3 = M(v) - 2 \cdot 1_\rho \pmod{3}$. To ensure that we are actually in this case we check that M_3 has rank 23 and that $\ker M_3$ contains a vector corresponding to a vector of type 2 in Λ . Such a vector corresponds to a unique type-2 vector λ_r in $\Lambda/2\lambda$; and we also check $M(v, \lambda_r) = 4 \pmod{15}$ in this case.

By Lemma 7.1 we have $v = \text{ax}(x_{\pm r})$ for an x_r with $\lambda(x_r) = \lambda_r$. We can find a $g' \in G_{x_0}$ that maps λ_r to λ_β , as explained in Appendix C. Then $vg' = \text{ax}(x_{\pm\beta}) \in \{v^+, v^-\}$. In case $vg' = v^+$ we are done. In case $vg' = v^-$ we replace vg' by $vg'x_d$ for a $d \in \mathcal{P}$ with $\langle d, \beta \rangle = 1$.

Case 2B

Then $\|M(v)\| = 8 \pmod{15}$. Let $M_3 = M(v) \pmod{3}$. To ensure that we are actually in this case we check that M_3 has rank 8. Then there are 120 basis vectors in 98280_x such that the coordinate of v in that basis vector has absolute value 4 $\pmod{15}$. The subspace U spanned by the images of these basis vectors in $\Lambda/2\Lambda$ has dimension 8. U contains 135 type-4 vectors. Assume that $g' \in G_{x_0}$ maps one of these type-4 vectors to λ_Ω . Then one of the axes $vg'\tau^{\pm 1}$ is in the orbit of G_{x_0} corresponding to class 2A.

Case 4A

Then $\|M(v)\| = 14 \pmod{15}$. Let $M_3 = M(v) \pmod{3}$. To ensure that we are actually in this case we check that M_3 has rank 23. The kernel of M_3 contains a vector corresponding to a vector of type 4 in Λ ; and we can easily compute the corresponding type-4 vector λ_r in $\Lambda/2\Lambda$. We put $U = \{\lambda_r\}$. Assume that $g' \in G_{x_0}$ maps λ_r to λ_Ω . Then one of the axes $vg'\tau^{\pm 1}$ is in the orbit of G_{x_0} corresponding to class 2A.

Case 4B

Then $\|M(v)\| = 13 \pmod{15}$. There are 512 basis vectors in 98280_x such that the coordinate of v in that basis vector has absolute value 1 $\pmod{15}$. The radical U of the subspace spanned by the images of these basis vectors in $\Lambda/2\Lambda$ has dimension 7. U contains 63 type-4 vectors. Assume that $g' \in G_{x_0}$ maps one of these type-4 vectors to λ_Ω . Then one of the axes $vg'\tau^{\pm 1}$ is in the orbit of G_{x_0} corresponding to class 2B.

Case 4C

Then $\|M(v)\| = 3 \pmod{15}$. There are 16 basis vectors in 98280_x such that the coordinate of v in that basis vector has absolute value 1 $\pmod{15}$. The radical U of the subspace spanned by the images of these basis vectors in $\Lambda/2\Lambda$ has dimension 5. U contains 15 type-4 vectors. Assume that $g' \in G_{x_0}$ maps one of these type-4 vectors to λ_Ω . Then one of the axes $vg'\tau^{\pm 1}$ is in the orbit of G_{x_0} corresponding to class 2B.

Case 6A

Then $\|M(v)\| = 4 \pmod{15}$. Let $M_3 = M(v) - 2 \cdot 1_\rho \pmod{3}$. To ensure that we are actually in this case we check that M_3 has rank 23 and that $\ker M_3$ contains a vector in $\Lambda/3\Lambda$ corresponding to a type-2 vector in Λ . Such a vector corresponds to a unique type-2 vector λ_r in $\Lambda/2\Lambda$; and we also check $M(v, \lambda_r) = 7 \pmod{15}$ in this case.

Then there are 891 basis vectors in 98280_x such that the coordinate of v in that basis vector has absolute value 5 $\pmod{15}$. Let S be the set of the images of these basis vectors in $\Lambda/2\Lambda$, and put $U = \{\lambda_s \in \Lambda/2\Lambda \mid \lambda_r + \lambda_s \in S\}$. Then all vectors in U are of type 4. Assume that $g' \in G_{x_0}$ maps one of these type-4 vectors to λ_Ω . Then one of the axes $vg'\tau^{\pm 1}$ is in the orbit of G_{x_0} corresponding to class 4A.

Case 6C

Then $\|M(v)\| = 5 \pmod{15}$. There are 36 basis vectors in 98280_x such that the coordinate of v in that basis vector has absolute value 3 $\pmod{15}$. The subspace U spanned by the images of these basis vectors in $\Lambda/2\Lambda$ has dimension 6. U contains 27 type-4 vectors. Assume that $g' \in G_{x_0}$ maps one of these type-4 vectors to λ_Ω . Then one of the axes $vg'\tau^{\pm 1}$ is in the orbit of G_{x_0} corresponding to class 4A.

Case 6F

Then $\|M(v)\| = 14 \pmod{15}$. Let $M_3 = M(v) \pmod{3}$. To ensure that we are actually in this case we check that M_3 has rank 8. There are 144 basis vectors in 98280_x such that the coordinate of v in that basis vector has absolute value 7 $\pmod{15}$. The radical U of the subspace spanned by the images of these basis vectors in $\Lambda/2\Lambda$ has dimension 8. U contains 135 type-4 vectors. Assume that $g' \in G_{x_0}$ maps one of these type-4 vectors to λ_Ω . Then one

of the axes $vg'\tau^{\pm 1}$ is in the orbit of G_{x_0} corresponding to class 4C.

Case 8B

Then $\|M(v)\| = 2 \pmod{15}$. There are 24 basis vectors in 98280_x such that the coordinate of v in that basis vector has absolute value 1 (mod 15). Let S be the set of the images of these basis vectors in $\Lambda/2\Lambda$. Let λ_r be any vector in S , and put $U = \{\lambda_s \in \Lambda/2\Lambda \mid \lambda_r + \lambda_s \in S\}$. Then exactly one of the vectors in U is of type 4. Assume that $g' \in G_{x_0}$ maps that type-4 vector to λ_Ω . Then one of the axes $vg'\tau^{\pm 1}$ is in the orbit of G_{x_0} corresponding to class 4A.

Case 10A

Then $\|M(v)\| = 4 \pmod{15}$. Let $M_3 = M(v) - 2 \cdot 1_\rho \pmod{3}$. To ensure that we are actually in this case we check that M_3 has rank 2. Then there is one basis vector in 98280_x such that the coordinate of v in that basis vector has absolute value 3 (mod 15), and there are 100 basis vectors in 98280_x such that the coordinate of v in that basis vector has absolute value 1 (mod 15). Let S_1, S_2 be the set of these images of the basis vectors in $\Lambda/2\Lambda$, respectively. Put $U = \{\lambda_r + \lambda_s \in \Lambda/2\Lambda \mid \lambda_r \in S_1, \lambda_s \in S_2\}$. Then all vectors in U are of type 4. Assume that $g' \in G_{x_0}$ maps one of these type-4 vectors to λ_Ω . Then one of the axes $vg'\tau^{\pm 1}$ is in the orbit of G_{x_0} corresponding to class 6A.

Case 10B

Then $\|M(v)\| = 8 \pmod{15}$. Let $M_3 = M(v) \pmod{3}$. To ensure that we are actually in this case we check that M_3 has rank 24. Then there are 680 basis vectors in 98280_x such that the coordinate of v in that basis vector has absolute value 4 (mod 15). The radical U of the subspace spanned by the images of these basis vectors in $\Lambda/2\Lambda$ has dimension 8. U contains 135 type-4 vectors. Assume that $g' \in G_{x_0}$ maps one of these type-4 vectors to λ_Ω . Then one of the axes $vg'\tau^{\pm 1}$ is in the orbit of G_{x_0} corresponding to class 4B or 4C. 60 of these 135 type-4 vectors can be mapped to class 4B, and 75 of these vectors can be mapped to class 4C.

Case 12C

Then $\|M(v)\| = 10 \pmod{15}$. There are 56 basis vectors in 98280_x such that the coordinate of v in that basis vector has absolute value 7 (mod 15). The radical U of the subspace spanned by the images of these basis vectors in $\Lambda/2\Lambda$ has dimension 8. U contains 135 type-4 vectors. Assume that $g' \in G_{x_0}$ maps one of these type-4 vectors to λ_Ω . Then one of the axes $vg'\tau^{\pm 1}$ is in the orbit of G_{x_0} corresponding to class 4B or 6A. 63 of these 135 type-4 vectors can be mapped to class 4B, and 72 of these vectors can be mapped to class 6A.

8 Orbits of H on feasible 2A axes

The two vectors $v^+ = \text{ax}(x_\beta)$ and $v^- = \text{ax}(x_{-\beta})$ in ρ defined in Section 6 are orthogonal with respect to the scalar product given by the natural norm in ρ . For two 2A involutions $t_1, t_2 \in \mathbb{M}$ the axes $\text{ax}(t_1)$ and $\text{ax}(t_2)$ are orthogonal if and only if the product $t_1 \cdot t_2$ is a 2B involution in \mathbb{M} . The group \mathbb{M} is transitive on pairs of orthogonal 2A axes. For background, see [2] or [8]. For brevity, we call a 2A axis in ρ *feasible* if it is orthogonal to the 2A axis v^+ .

Given a feasible 2A axis v , we construct a $g \in H^+$ with $vg = v^-$ in this section. Here H^+ is the centralizer of the axis v^+ in \mathbb{M} as defined in Section 6. Therefore we have to compute in the group H^+ . The subgroup $H^+ \cap N_{x_0}$ is generated by

$$\Gamma_f^0 = \{x_\delta, x_d, y_d, x_\pi \in \Gamma \mid \delta \in \mathcal{C}^*, d \in \mathcal{P}, \langle d, \beta \rangle = 0, \pi \in \text{Aut}_{\text{St}} \mathcal{P}, \beta^\pi = \beta\} ;$$

so computation in $H^+ \cap N_{x_0}$ is easy. The group $H = H^+ \cap G_{x_0}$ is generated by $H^+ \cap N_{x_0}$ and ξ ; the group H^+ is generated by H and τ . Note that $H \cap N_{x_0} = H^+ \cap N_{x_0}$. Put $\Gamma_f = \Gamma_f^0 \cup \{\xi^{\pm 1}, \tau^{\pm 1}\}$, so that Γ_f generates H^+ .

Our strategy for finding a suitable $g \in H^+$ is similar to the strategy in the last two sections for finding a group element that maps an arbitrary 2A axis to the standard 2A axis.

Here we will replace the rôles of the groups \mathbb{M} , G_{x_0} , and N_{x_0} by their intersections with the group H^+ , as indicated in Table 2.

	Reduce axis to v^+	Reduce feasible axis to v^-
Operating in group	\mathbb{M}	H^+
Using orbits of group	G_{x_0}	H
No of orbits on axes	12, see [12]	10, see [10]
Reduction path	see Figure 2	see Figure 3
Vectors $\lambda_r \in \Lambda/2\Lambda$ used	$\text{type}(\lambda_r) = 4$	$\text{type}(\lambda_r) = 2, \text{type}(\lambda_r + \lambda_\beta) = 4$
Subgroup considered	N_{x_0}	$H \cap N_{x_0}$

Table 2: Analogies between reducing (feasible) 2A axes to v^+ and to v^-

We present an element g of H^+ as a word

$$g_1 \cdot \tau_1 \cdot g_2 \cdot \tau_2 \cdot \dots \cdot \tau_{n-1} \cdot g_n ,$$

with $g_\nu \in H$ and τ_ν a power of τ . Let v be a feasible 2A axis. Then τ_ν may change the orbit vH , but g_ν does not. Let $l(v)$ be the minimum number of occurrences of a power of τ in a word h' of generators in Γ_f such that $vh' = v^-$. Actually, $l(v)$ depends on the orbit vH only. So given a feasible 2A axis v we essentially have to find a $g' \in H$ such that $l(v \cdot g'\tau^k) < l(v)$ for a $k = \pm 1$.

Similar to equation 6.0.1 we obtain

$$(H \cap N_{x_0})\tau^k \subset \tau^k(H \cap N_{x_0}) \cup \tau^{-k}(H \cap N_{x_0}), \quad \text{for all } k \in \mathbb{Z}. \quad (8.0.1)$$

Thus the set $\{v\tau^k H \mid k = \pm 1\}$ of orbits depends on the orbit $v(H \cap N_{x_0})$ of v only. So given an axis v we may first identify its orbit vH , and then search for an orbit $vg'(H \cap N_{x_0})$, $g' \in H$, such that $\min\{l(vg'(H \cap N_{x_0})\tau^k) \mid k = \pm 1\} < l(v)$.

We call a vector λ_r in $\Lambda/2\Lambda$ *feasible* if $\text{type}(\lambda_r) = 2$ and $\text{type}(\lambda_r + \lambda_\beta) = 4$. This is equivalent to claiming that any two shortest preimages of λ_r and λ_β in the real Leech lattice Λ are of type 2 and perpendicular. The group H fixes β , and it is transitive on the set of feasible vectors in $\Lambda/2\Lambda$. The group $(H \cap N_{x_0})$ fixes λ_β and λ_Ω , and hence also the feasible type-2 vector $\lambda_\Omega + \lambda_\beta$. From [3] and Figure 1 we see that $(H \cap N_{x_0})$ is a maximal subgroup of H . So it is the stabilizer of the feasible vector $\lambda_\Omega + \lambda_\beta$ in H .

Thus searching for a suitable coset $g'(H \cap N_{x_0})$ in H amounts to searching for a feasible vector λ_r in $\Lambda/2\Lambda$ such that $\lambda_r g' = \lambda_\Omega + \lambda_\beta$. In Appendix D we will show how to compute a representative of the coset $g'(H \cap N_{x_0})$ in H from a feasible vector λ_r with $\lambda_r g' = \lambda_\Omega + \lambda_\beta$.

Müller [10] has enumerated the ten orbits of $2^{1+22}.\text{Co}_2$ on the representation of the Baby Monster B acting on the cosets of $2^{1+22}.\text{Co}_2$ as a permutation group. In our notation these ten orbits are in one-to-one correspondence with the orbits of H on the representation of H^+ as a permutation group acting on the cosets of H . The centralizer of the feasible 2A axis v^- in H^+ is $H^+ \cap H^- = H$. Since H^+ is transitive on the set of feasible 2A axes, we conclude that there are ten orbits of H on the feasible 2A axes.

We have computed representatives of the 10 orbits of H on the feasible 2A axes with the software package [14]. Here the essential information required from [10] is that there are no more than 10 such orbits. Then we may easily find such representatives by computing images v^-h for random elements h of H^+ . Here we watermark the feasible 2A axes in the same way as the 2A axes in Section 7, and we augment our watermark of an axis v by the value $M(v, \lambda_\beta)$, as defined in Section 6. $M(v, \lambda_\beta)$ is invariant under the action of H .

For identifying the orbit of H on a feasible 2A axis v (with $v = \text{ax}(t)$) we use the name of the class tx_{-1} as in the last section. We append a '0' digit to that name if $M(v, \lambda_\beta) = 0$; otherwise we append a '1' digit. Thus for identifying the orbit of H containing v we first have to compute the class of $\text{ax}(t)$ as described in the last section. If there are several orbits

corresponding to the same class then we also have to compute $M(v, \lambda_\beta)$. These data can be computed from v without knowing the involution t satisfying $v = \text{ax}(t)$. We obtain the 10 orbits of H on the feasible 2A axes shown in Figure 3.

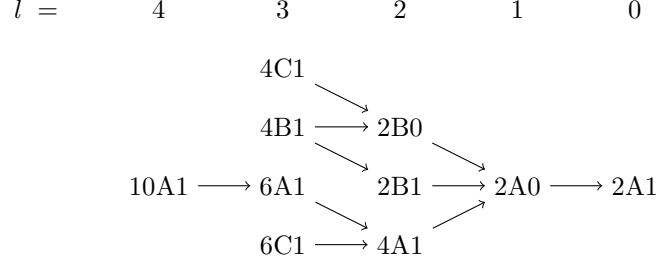


Figure 3: Reduction of orbits of H on feasible 2A axes

In the remainder of this section we assume that a feasible 2A axis v is given. For each orbit on the feasible 2A axes listed in Figure 3 (except for orbits '2A0' and '2A1') we show how to compute a non-empty set $U_f = U_f(v)$ of feasible type-2 vectors with:

$$\forall \lambda_r \in U_f(v) \forall g' \in H : \lambda_r g' = \lambda_\Omega + \lambda_\beta \implies \min\{l(vg'\tau^k) \mid k = \pm 1\} < l(v).$$

Similar to the last section, the assertions stated for the different cases can be and have been checked computationally.

Case 2A1

Since $v^- = \text{ax}(x_{-\beta})$ is in this orbit of H , and H fixes λ_β , the axis v^- is the only feasible axis in this orbit, so that we are done.

Case 2A0

By Lemma 7.1 there is an x_r with $v = \text{ax}(x_r)$, and x_r can be effectively computed from v . Since v is feasible and $M(v, x_\beta) = 0$, the vectors in $\Lambda(\lambda_r)$ and $\Lambda(\lambda_\beta)$ in the Leech lattice are perpendicular, and hence $\text{type}(\lambda_\Omega + \lambda_r) = 4$, i.e. λ_r is feasible.

So we can find a $g' \in H$ that maps λ_r to $\lambda_\Omega + \lambda_\beta$ without changing λ_β , as explained in Appendix D. Then $vg' = \text{ax}(x_{\pm\Omega}x_\beta)$. Note that the element τ of H^+ cyclically permutes the axes $\text{ax}(x_{-\beta})$, $\text{ax}(x_{-\Omega}x_\beta)$, and $\text{ax}(x_\Omega x_\beta)$. Thus there is a $k = \pm 1$ with $vg'\tau^k = \text{ax}(x_{-\beta}) = v^-$; i.e. $vg'\tau^k$ is the unique axis in the orbit 2A1.

Cases 2B0 and 2B1

Then there are 120 basis vectors in 98280_x such that the coordinate of v in that basis vector has absolute value 4 (mod 15). The subspace U spanned by the images of these basis vectors in $\Lambda/2\Lambda$ has dimension 8. Let

$$U_f = \{\lambda_r + \lambda_\beta \mid \lambda_r \in U, \text{type}(\lambda_r) = 4, \text{type}(\lambda_r + \lambda_\beta) = 2\}. \tag{8.0.2}$$

The set U_f contains 15 feasible type-2 vectors in case 2B0 and 63 feasible type-2 vectors in case 2B1. For any $\lambda_s \in U_f$ we can find a $g' \in H$ that maps λ_s to $\lambda_\Omega + \lambda_\beta$, as explained in Appendix D. Then one of the axes $vg'\tau^{\pm 1}$ is in the orbit of H corresponding to class 2A0.

Cases 4A1, 4B1, 4C1, 6A1, 6C1, and 10A1

These cases are in one-to-one correspondence with the cases in Section 7 obtained by omitting the suffix '1' from the name of the case.

In any of these cases we compute the set U of vectors in $\Lambda/2\Lambda$ as in the corresponding case in Section 7, and we define U_f as in equation 8.0.2. Then U_f is a set of feasible type-2 vectors in all cases; and a computation shows that all these sets are non-empty.

For any $\lambda_s \in U_f$ we can find a $g' \in H$ that maps λ_s to $\lambda_\Omega + \lambda_\beta$, as explained in Appendix D. One of the axes $vg'\tau^{\pm 1}$ is in the orbit of H corresponding to a class as indicated in the following Table 3.

Set U_f in orbit	4A1	4B1		4C1	6A1	6C1	10A1
.. is mapped to orbit(s)	2A0	2B0	2B1	2B0	4A1	4A1	6A1
Size of (subset of) U_f	1	30	1	15	891	27	100

Table 3: Reduction of feasible 2A axes

In case 4B1 the set U_f has size 31; for 30 elements of U_f one of the axes $vg'\tau^{\pm 1}$ is in the orbit with name 2B0. For the remaining element of U_f one of these axes is in the orbit with name 2B1.

9 Conclusion

We have seen that the coordinates of an axis $\text{ax}(t)$ of an arbitrary 2A involution t in the Monster \mathbb{M} contain geometric information that allows us to transform this axis to a standard axis. We may also compute a $h \in \mathbb{M}$ that transforms the two axes of a pair (t_1, t_2) of 2A involutions to a standard pair of axes, if the product $t_3 = t_1 t_2$ is in class 2B. Here the standard axes are the axes of two involutions $x_\beta, x_{-\beta}$ such that their product $x_\beta \cdot x_{-\beta}$ is the central involution x_{-1} of the subgroup G_{x_0} of \mathbb{M} of structure $2^{1+24}.\text{Co}_1$. Assume that for a $g \in \mathbb{M}$ we know the images $\text{ax}(x_\beta)g$ and $\text{ax}(x_{-\beta})g$. Then from these two images we may compute a $h \in \mathbb{M}$ such that gh centralizes x_β and $x_{-\beta}$, and hence also x_{-1} . So we have $gh \in G_{x_0}$. Apart from the images of the fixed vectors $v^+ = \text{ax}(x_\beta), v^- = \text{ax}(x_{-\beta})$ in the 196884-dimensional representation ρ of \mathbb{M} we need the image of another fixed vector $v_1 \in \rho$ for recognizing an element of the subgroup G_{x_0} .

So we may reconstruct an element g of \mathbb{M} as a word in the generators of \mathbb{M} from the images of three fixed vectors in the representation ρ under the action of g . It suffices if these three fixed vectors (v_1, v^+, v^-) are known modulo 15. This leads to an extremely fast word shortening algorithm.

In [14] we have implemented the group operation of the Monster \mathbb{M} based on this word shortening algorithm. On the author's computer the group operation in \mathbb{M} takes a bit less than 50 ms, which is about five orders of magnitude faster than any previous implementation of that operation.

Ideas for future research

By construction, the new algorithm computes a unique representation of an element of \mathbb{M} . We are confident that this representation can be compressed to about 256 bit length. So we may find an element of \mathbb{M} in an array of millions of elements of \mathbb{M} . The new algorithm can also compute unique representatives of the cosets of the subgroups H and H^+ of \mathbb{M} of structure $2^{2+22}.\text{Co}_2$ and $2.B$, respectively. So using the methods in [11], we may now be able to enumerate rather big orbits of some very large subgroups of the Monster \mathbb{M} .

We conjecture that we can speed up the group operation in \mathbb{M} considerably by using precomputed tables. Assume that computation in the two subgroups G_{x_0} and H^+ of \mathbb{M} is easy, possibly by using (smaller) precomputed tables for these groups as well. Assume also that we can effectively represent elements of these two groups as words in the set Γ of generators of \mathbb{M} . Then we precompute representatives z_1, \dots, z_{12} of the 12 double cosets $H^+ \backslash \mathbb{M} / G_{x_0}$ corresponding to the entries of Table 1. So every element u of \mathbb{M} can be expressed in the form $u = h z_i g, h \in H^+, g \in G_{x_0}$. For implementing the group operation in \mathbb{M} it suffices if we can right multiply every such element u with all generators in Γ . This is easy for all such generators, except for $\tau^{\pm 1}$. Here the hard part is to convert $z_i g \tau^{\pm 1}$ to the form $h' z_j g'$, with $h' \in H^+, g' \in G_{x_0}$. By (2.0.2) it suffices to store a table of these conversions, where g runs through a left transversal of N_{x_0} in G_{x_0} . So this table has $12 \cdot 8292375 \cdot 2$ entries. Assuming that an entry is about 256 bits long, that table will be about 6 GBytes long. This is not very big compared to the tables used in computer chess. Exploiting the symmetries

given by the centralizer groups in Table 1, we might be able to compress such a table by a factor of 100 or more, so that it fits well into the main memory of a standard PC.

A Mapping a type-4 vector in $\Lambda/2\Lambda$ to the standard frame

In this appendix we show how to find an element g of the group G_{x_0} defined in Section 3 that maps an arbitrary type-4 vector λ_r in $\Lambda/2\Lambda$ to the standard frame λ_Ω in $\Lambda/2\Lambda$. Here the group G_{x_0} of structure $2_+^{1+24}.\text{Co}_1$ acts on $\Lambda/2\Lambda$ by conjugation in the same way as Co_1 acts as automorphism group on $\Lambda/2\Lambda$. So we may work in the factor group Co_1 of G_{x_0} . and we may assume that Co_1 is generated by y_d, x_π, ξ , as defined in Section 2-4. Taking these generators modulo the normal subgroup Q_{x_0} of structure 2_+^{1+24} , which operates trivially on $\Lambda/2\Lambda$, we may assume $d \in \mathcal{C}/\{1, \Omega\}, \pi \in M_{24}$. Modulo Q_{x_0} , the group generated by y_d, x_π is a maximal subgroup $\bar{N}_{x_0} = N_{x_0}/Q_{x_0}$ of Co_1 of structure $2^{11}.M_{24}$. It is easy to see that \bar{N}_{x_0} is the stabilizer of λ_Ω in Co_1 .

So given a $\lambda_r \in \Lambda/2\Lambda$, it suffices to find an element of Co_1 (represented as a word in the generators y_d, x_π, ξ) that maps λ_r to λ_Ω .

In the sequel we will describe the orbits of \bar{N}_{x_0} on $\Lambda/2\Lambda$.

The orbits of the group \bar{N}_{x_0} on the vectors of type 2, 3, and 4 on Λ have been described in [7], Lemma 4.4.1. \bar{N}_{x_0} acts monomially on the Leech lattice Λ . Thus an orbit $\lambda_r \bar{N}_{x_0}$ of \bar{N}_{x_0} on $\Lambda/2\Lambda$ can be described by the *shapes* of the vectors in $\Lambda(\lambda_r)$ for any $\lambda_r \in \lambda_r \bar{N}_{x_0}$, where $\Lambda(\lambda_r)$ is the set of the shortest preimages of λ_r in the Leech lattice, as in Section 3. Here the shape of a vector is the multiset of the absolute values of the coordinates of the vector. E.g. a vector of shape $(3^5 1^{19})$ has 5 coordinates with absolute value 3 and 19 coordinates with absolute value 1.

A vector of type 2 or 3 in $\Lambda/2\Lambda$ has two opposite preimages of the same type in Λ ; so its shape is uniquely defined. A vector of type 4 in $\Lambda/2\Lambda$ has $2 \cdot 24$ preimages of type 4 in Λ which are orthogonal except when equal or opposite. It is well known that a type-4 vector in $\Lambda/2\Lambda$ corresponds to a coordinate frame in the Leech lattice in standard coordinates, see e.g. [4], [7].

The table at Lemma 4.4.1 in [7] assigns a name and a shape to each orbit of \bar{N}_{x_0} on the vectors of type 2, 3, and 4 in Λ . The table at Lemma 4.6.1 in [7] assigns a name and one or more shapes to each orbit of \bar{N}_{x_0} on the vectors of type 4 in $\Lambda/2\Lambda$. We reproduce this information for the orbits of \bar{N}_{x_0} on $\Lambda/2\Lambda$ in Table 4. In column *Subtype* of that table we also assign a subtype (which is a 2-digit number) to each orbit. The first digit of the subtype specifies the type of the vectors in that orbit and the second digit is used to distinguish between orbits of the same type. Hints for memorizing the second digit are given in Table 5.

For $d \in \mathcal{P}, \delta \in \mathcal{C}^*$ let $x_d, x_\delta \in Q_{x_0}$ as in Section 2. Put $\lambda_d = \lambda(x_d) \in \Lambda/2\Lambda, \lambda_\delta = \lambda(x_\delta) \in \Lambda/2\Lambda$, as in Section 3. Then λ_d is well defined also for $d \in \mathcal{C}$, and each vector $\lambda_r \in \Lambda/2\Lambda$ has a unique decomposition $\lambda_r = \lambda_d + \lambda_\delta, d \in \mathcal{C}, \delta \in \mathcal{C}^*$. The subtype of a vector $\lambda_d + \lambda_\delta \in \Lambda/2\Lambda$ can be computed from d and δ , as indicated in the Table 4.

Columns *Name* and *Shape* in Table 4 list the names and the shapes of the orbits as given in [7], Lemma 4.1.1 and 4.6.1. Columns $|d|$ and $|\delta|$ list conditions on the weight of a Golay code word d and of (a shortest representative of) the Golay cocode element δ , respectively. Column $\langle d, \delta \rangle$ lists conditions on the scalar product of d and δ . All this information can easily be derived from [7] and [2] (or [13]).

Sub-type	Name in [7]	Shape	$ d $	$ \delta $	$\langle d, \delta \rangle$	Remark
00		(0^{24})	0	0	0	
20	Λ_2^4	$(4^2 0^{22})$	0, 24	2	0	
21	Λ_2^3	$(3 1^{23})$	any	1	$ d /4$	
22	Λ_2^2	$(2^8 0^{16})$	8, 16	even	0	1.
31	Λ_3^5	$(5 1^{23})$	any	1	$ d /4 + 1$	
33	Λ_3^3	$(3^3 1^{21})$	any	3	$ d /4$	
34	Λ_3^4	$(4 2^8 0^{15})$	8, 16	even	1	
36	Λ_3^2	$(2^{12} 0^{12})$	12	even	0	
40	Λ_4^{4a}	$(4^4 0^{20})$	0, 24	4	0	
42	Λ_4^6	$(6 2^7 0^{16}), (2^{16} 0^8)$	8, 16	even	0	2.
43	Λ_4^5	$(5 3^2 1^{21}), (3^5 1^{19})$	any	3	$ d /4 + 1$	
44	Λ_4^{4b}	$(4^2 2^8 0^{14}), (2^{16} 0^8)$	8, 16	even	0	3.
46	Λ_4^{4c}	$(4 2^{12} 0^{11})$	12	even	1	
48	Λ_4^8	$(8 0^{23})$	24	0	0	

Remarks:

1. $|\delta|/2 = 1 + |d|/8 \pmod{2}$, $\delta \in d\Omega^{1+|d|/8}$ for a suitable representative δ of the cocode element;
2. $|\delta|/2 = |d|/8 \pmod{2}$, $\delta \in d\Omega^{1+|d|/8}$ for a suitable representative δ of the cocode element;
3. None of the conditions stated in Remarks 1 and 2 hold.

Table 4: Orbits of N_{x_0} of $\Lambda/2\Lambda$

Subtype	Meaning
x0	Orbit contains a vector $\lambda_d + \lambda_\delta$ with $d = 0$, $ \delta $ even
x1	Vectors $\lambda_d + \lambda_\delta$ with $ \delta = 1$
x2	Vectors $\lambda_d + \lambda_\delta$ with $ d = 8, 16$, $ \delta $ even, and $\exists u \in \mathbb{F}_2^{24} : u + \delta \in \mathcal{C}, u \in d\Omega^{1+ d /8}$
x3	Vectors $\lambda_d + \lambda_\delta$ with $ \delta = 3$
x4	Vectors $\lambda_d + \lambda_\delta$ with $ d = 8, 16$; $ \delta $ even, and $\forall u \in \mathbb{F}_2^{24} : u + \delta \in \mathcal{C} \Rightarrow u \notin d\Omega^{1+ d /8}$
x6	Vectors $\lambda_d + \lambda_\delta$ with $ d = 12$; $ \delta $ even
x8	Reserved for the standard frame λ_Ω

Table 5: Subtypes of orbits of N_{x_0} of $\Lambda/2\Lambda$

Table 4 provides the information required for effectively computing the subtype of an element $\lambda_d + \lambda_\delta$ from d and δ .

From the generators of G_{x_0} in Sections 2–4, only the generators ξ^k change the subtype of a vector in $\Lambda/2\Lambda$. We say that a vector $v \in \mathbb{Z}^n$ is of shape $(m^\alpha 0^{n-\alpha} \pmod{2m})$ if v has α coordinates equal to $m \pmod{2m}$ and $n-\alpha$ coordinates equal to $0 \pmod{2m}$. For a vector $v = (v_0, \dots, v_{23}) \in \mathbb{R}^{24}$ define $(v_{4i}, v_{4i+1}, v_{4i+2}, v_{4i+3}) \in \mathbb{R}^4$ to be the i -th column of v . This definition is related to the Miracle Octad Generator (MOG) used for the description of the Golay code and the Leech lattice, see [4], Chapter 11. We will depict the MOG coordinates

of a vector $v \in \mathbb{F}_2^{24}$ as follows:

$$v = (v_0, \dots, v_{23}) = \begin{array}{|c|c|c|c|c|c|} \hline v_0 & v_4 & v_8 & v_{12} & v_{16} & v_{20} \\ \hline v_1 & v_5 & v_9 & v_{13} & v_{17} & v_{21} \\ \hline v_2 & v_6 & v_{10} & v_{14} & v_{18} & v_{22} \\ \hline v_3 & v_7 & v_{11} & v_{15} & v_{19} & v_{23} \\ \hline \end{array} .$$

The following lemma provides some more information about the operation of ξ^k on Λ .

Lemma A.1. *Let $v \in \mathbb{Z}^{24}$, and let $v^{(k)} = v \cdot \xi^k$. Let w be a column of v , and let $w^{(k)}$ be the corresponding column of $v^{(k)}$. Then $|w^{(k)}| = |w|$. If w has shape $(m^4 \bmod 2m)$ then there is a unique $k \in \{\pm 1\}$ such that $w^{(k)}$ has shape $(0^4 \bmod 2m)$. If w has shape $(m^2 0^2 \bmod 2m)$ then $w^{(k)}$ has shape $(m^2 0^2 \bmod 2m)$ for all $k \in \mathbb{Z}$.*

Sketch proof

In Equation 4.0.1 the operation of ξ on a column of the MOG is given as a product of two orthogonal symmetric 4×4 matrices A and B . Thus A and B are involutions. It is easy to show the Lemma by right multiplying these two matrices with (the transposed of) such a column.

□

In the sequel we apply an operation $x_\pi \xi^k$ to a vector λ_r in $\Lambda/2\Lambda$ of a given subtype 4X, so that the subtype is changed as in Figure 4. The graph in that figure is a subgraph of the *Leech graph* in [7], Section 4.7. By a sequence of such operations we may eventually map an arbitrary vector in $\Lambda/2\Lambda$ to the (unique) vector λ_Ω of subtype 48. For the following discussion of the individual subtypes we assume that the reader is familiar with the Mathieu group M_{24} , the Golay Code \mathcal{C} , and the MOG, as presented in [4], Chapter 11.

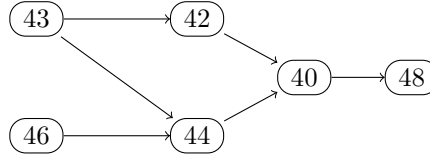


Figure 4: Reduction of the orbits of \bar{N}_{x_0} on type-4 vectors in $\Lambda/2\Lambda$

From subtype 46 to subtype 44

Let $\lambda_r = \lambda_d + \lambda_\delta$ be of subtype 46. Then d is a dodecad. Assume that d contains one column of the MOG. Then up to signs and a permutation of the columns of the MOG, and up to permutation of the entries of the columns, there is a vector $v \in \Lambda(\lambda_r)$ that has MOG coordinates

2	0	2	0	0	0
2	0	2	0	0	0
2	0	4	2	2	2
2	0	0	2	2	2

Note that each vector in $\Lambda(\lambda_r)$ has exactly one co-ordinate ± 4 ; and such a co-ordinate occurs at all 24 positions, when considering all 48 vectors in $\Lambda(\lambda_r)$.

By Lemma A.1 there is a $k = \pm 1$ such that column 0 of the the vector $w = v \cdot \xi^k$ has shape $(4 0^3)$. The other columns of w have the same shape as the corresponding columns of v . Thus w has shape $(4 2^8 0^{15})$. So from Table 4 we see that $w + 2\Lambda$ has type 44.

Note that both, the dodecad d and its complement, contain exactly one column of the MOG. The union of these two columns is a grey even octad o (in the notation of [13]).

If dodecad d does not contain a column of the MOG then we select a permutation that maps the first four entries of dodecad d to the subset $\{0, 1, 2, 3\}$ of Ω , i.e. to the first column of the MOG. Then we proceed as above. Note that M_{24} is quintuply transitive.

From subtype 43 to subtype 42 or 44

Let $\lambda_r = \lambda_d + \lambda_\delta$ be of subtype 43. Then $|\delta| = 3$. The three elements of (the shortest representative of) δ can lie in one, two, or three different columns of the MOG.

If all entries of δ lie in the same column of the MOG then up to signs and permutation of the columns of the MOG, and up to permutation of the entries of a column, there is a vector $v \in \Lambda(\lambda_r)$ that has MOG coordinates

5	1	1	1	1	1
3	1	1	1	1	1
3	1	1	1	1	1
1	1	1	1	1	1

By Lemma A.1 there is a $k = \pm 1$ such that one column of $w = v \cdot \xi^k$ (and hence all columns) have even entries. Column 0 of w has squared norm $44 = 6^2 + 2^2 + 2^2 + 0^2$. That decomposition of 44 into a sum of four even squares is unique, so column 0 has shape $(6\ 2^2\ 0)$. The other columns have shape $(2\ 0^3)$. So w is of shape $(6\ 2^7\ 0^{15})$ and hence $\lambda_r \xi^k = w + 2\Lambda$ is of subtype 42.

If the entries of δ lie in two different columns of the MOG then up to signs and permutations as above, some vector $v \in \Lambda(\lambda_r)$ has MOG coordinates

3	5	1	1	1	1
3	1	1	1	1	1
1	1	1	1	1	1
1	1	1	1	1	1

By a similar argument as in the first case there is a $k = \pm 1$ such that the first two columns of $w = v \cdot \xi^k$ have shape $(4\ 2\ 0^2)$ and $(4\ 2^3)$, and that the other columns of w have shape $(2\ 0^3)$. Thus $\lambda_r \xi^k = w + 2\Lambda$ is of subtype 44.

If the entries of δ lie in three different columns of the MOG then we apply a permutation in M_{24} that maps δ to $\{0, 1, 2\}$, and proceed as above.

From subtype 44 to subtype 40

Let $\lambda_r = \lambda_d + \lambda_\delta$ be of subtype 44. Then d is an octad or a complement of an octad. We call that octad o . If the cocode word δ is a duad (i.e. $|\delta| = 2$) let c_0, c_1 be the two elements of that duad. Otherwise, δ corresponds to a sextet containing a tetrad c intersecting with o in two points; in that case we let c_0, c_1 be the two elements of c not contained in o .

Assume first that o is a *grey* even octad (in the notation of [13]), i.e. a union of two columns of the MOG, and that the points c_0, c_1 are in the same column of the MOG.

Then up to signs and permutation of the columns of the MOG, and up to permutation of the entries of a column, there is a vector $v \in \Lambda(\lambda_r)$ that has MOG coordinates

2	2	4	0	0	0
2	2	4	0	0	0
2	2	0	0	0	0
2	2	0	0	0	0

Similar to the previous cases, we can show that there is a $k = \pm 1$ such that $w = v \cdot \xi^k$ has shape $(4^4\ 0^{20})$. So w is of subtype 40.

If the octad $o = \{o_0, \dots, o_7\}$ and the two points c_0, c_1 do not satisfy the condition given above then we first construct a permutation that maps $\{c_0, c_1\}$ to $\{2, 3\}$, and four points of o to $\{4, 5, 6, 7\}$. Therefore we compute the syndrome of the set $\{c_0, c_1, o_0, o_1, o_2\}$, which is a cocode word of length 3. That syndrome intersects with o in exactly one point o_j . Then we construct a permutation in M_{24} that maps the tuple $(c_0, c_1, o_0, o_1, o_2, o_j)$ to the tuple $(2, 3, 4, 5, 6, 7)$. Such a permutation exists, since both tuples are subsets of an octad. This permutation maps o to a grey even octad and $\{c_0, c_1\}$ to $\{2, 3\}$.

From subtype 42 to subtype 40

Let $\lambda_r = \lambda_d + \lambda_\delta$ be of subtype 42. Then d is an octad or a complement of an octad. We call that octad o . Assume first that o is a *grey* even octad (in the notation of [13]), i.e. a union of two columns of the MOG.

Then up to signs and permutation of the columns of the MOG, and up to permutation of the entries of a column, there is a vector $v \in \Lambda(\lambda_r)$ that has MOG coordinates

6	2	0	0	0	0
2	2	0	0	0	0
2	2	0	0	0	0
2	2	0	0	0	0

Similar to the previous case, we can show that there is a $k = \pm 1$ such that $w = v \cdot \xi^k$ has shape $(4^4 0^{20})$. So w is of subtype 40.

Otherwise we first map the octad o to the octad $\{0, 1, 2, 3, 4, 5, 6, 7\}$, using a permutation in M_{24} .

From subtype 40 to subtype 48

Let λ_r be of subtype 40. Then $\lambda_r = \alpha\lambda_\Omega + \lambda_\delta$, $\alpha = 0, 1$, for some $\delta \in \mathcal{C}^*$, $|\delta| = 4$. If δ is equal to the standard tetrad represented by $\{0, 1, 2, 3\}$ then there is a unique power of ξ that maps λ_r to λ_Ω , which is of type 48.

Otherwise we first apply a permutation in M_{24} that maps δ to $\{0, 1, 2, 3\}$.

B The probability that the kernel of a random symmetric matrix on $\Lambda/3\Lambda$ is spanned by a type 4 vector

We first calculate the probability $p_{n,k}^{(q)}$ that a symmetric $n \times n$ matrix with random entries in \mathbb{F}_q has corank k . For any symmetric $n \times n$ matrix Q_n of corank k we can find a basis of the underlying vector space such that Q_n has shape

$$Q_n = \begin{pmatrix} 0 & 0 \\ 0 & A \end{pmatrix}, \quad \text{where } A \text{ is a nonsingular symmetric } (n-k) \times (n-k) \text{ matrix.}$$

Let Q_{n+1} be the symmetric $(n+1) \times (n+1)$ matrix obtained from Q_n by adding one row and one column:

$$Q_{n+1} = \begin{pmatrix} 0 & 0 & b_0^\top \\ 0 & A & b_1^\top \\ b_0 & b_1 & c \end{pmatrix}, \quad \text{with } b_0 \in \mathbb{F}_q^k, b_1 \in \mathbb{F}_q^{n-k}, c \in \mathbb{F}_q.$$

Matrix Q_{n+1} has corank $k-1$ if $b_0 \neq 0$. In case $b_0 = 0$ it has corank $k+1$ if $c = b_1 A^{-1} b_1^\top$ and corank k otherwise. Assuming that b_0, b_1 , and c are selected at random this implies:

$$\text{corank}(Q_{n+1}) = \begin{cases} k-1 \\ k \\ k+1 \end{cases} \quad \text{with probability } \begin{cases} 1 - q^{-k} & (\text{for } k > 0) \\ q^{-k} - q^{-(k+1)} \\ q^{-(k+1)} \end{cases}.$$

Q_{n+1} has been obtained from an arbitrary $n \times n$ matrix Q_n over \mathbb{F}_q with corank k . Hence for fixed q the distribution of $p_{n,k}^{(q)}$, $0 \leq k \leq n$, can be modelled as a Markov chain with discrete time parameter n and start value $p_{0,0}^{(q)} = 1$. So we easily obtain $p_{24,1}^{(3)} \approx 0.31950$.

There are 398034000 vectors of type 4 in the Leech lattice Λ , see e.g. [4], and $3^{24} - 1$ nonzero vectors in $\Lambda/3\Lambda$, so a random one-dimensional subspace of $\Lambda/3\Lambda$ is spanned by a type-4 vector with probability about $1/709.56$. Thus the kernel of a random symmetric

24×24 matrix over \mathbb{F}_3 (acting on $\Lambda/3\Lambda$) is spanned by a type-4 vector with probability about $1/2221$.

Let $M_3(\cdot)$ be as in section 5. Generating a vector v in ρ_3 that is fixed by an element of order 71 costs 70 group operations on ρ_3 . So in average we need about 155000 group operations on ρ_3 to find a such vector $v \in \rho_3$ with the additional property that $\ker M_3(v)$ is spanned by a type-4 vector (modulo 3Λ). This is certainly doable, and has been done. Once having found a vector v fixing an element of order 71, we may also check $\ker M_3(v \pm 1_\rho)$.

So we can find a vector v satisfying the properties mentioned above, such that $\ker M_3(v)$ is spanned by $w + 3\Lambda$, for a type-4 vector $w \in \Lambda$. Given the coordinates of w (modulo 3), we can easily compute the corresponding type-4 vector in Λ , and hence also the corresponding type-4 vector λ_r in $\Lambda/2\Lambda$. We put $v_1 = vg$, where g is an element of G_{x_0} that maps the type-4 vector λ_r to the standard frame Ω . We use the method in Appendix A for computing a suitable $g \in G_{x_0}$. Then $\ker M_3(v_1)$ is spanned by $\eta_j + 3\Lambda$ for some basis vector η_j of \mathbb{R}^{24} .

C Mapping a type-2 vector in $\Lambda/2\Lambda$ to the standard type-2 vector λ_β

In this appendix we show how to find an element g of G_{x_0} that maps an arbitrary type-2 vector λ_r in $\Lambda/2\Lambda$ to the standard type-2 vector λ_β in $\Lambda/2\Lambda$.

We use the same notation as in Appendix A. We apply an operation $x_\pi \xi^k$ to a vector in $\Lambda/2\Lambda$ of a given subtype 2X, so that the subtype is changed as in Figure 5. Finally, we apply an operation $x_\pi y_d^k$ to a vector of subtype 20 in order to map that vector to λ_β .

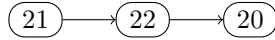


Figure 5: Reduction of the orbits of \bar{N}_{x_0} on type-2 vectors in $\Lambda/2\Lambda$

From subtype 21 to subtype 22

Let λ_r be of subtype 21. Then $\Lambda(\lambda_r)$ is of shape $(3\ 1^{23})$. By Lemma A.1 there is a element ξ^k such that $\Lambda(\lambda_r)\xi^k$ has even coordinates. Then $\lambda_r\xi^k$ cannot be of subtype 21; and it is easy to see that $\lambda_r\xi^k$ is of subtype 22.

From subtype 22 to subtype 20

Let $\lambda_r = \lambda_d + \lambda_\delta$ be of subtype 22. Then d is an octad or a complement of an octad. We call that octad o . Then $\Lambda(\lambda_r)$ has shape $(2^8 0^{16})$. Assume first that o is a *grey* even octad (in the notation of [13]), i.e. a union of two columns of the MOG. Then by Lemma A.1 there is a $k = \pm 1$ such that $\Lambda(\lambda_r) \cdot \xi^k$ has shape $(4^2 0^{22})$. So $\lambda_r\xi^k$ is of subtype 40.

Otherwise we first map the octad o to the octad $\{0, 1, 2, 3, 4, 5, 6, 7\}$, using a permutation in M_{24} .

From subtype 20 to the vector λ_β

Let λ_r be of subtype 20. Then $\lambda_r = \alpha\lambda_\Omega + \lambda_\delta$, $\alpha = 0, 1$, for some $\delta \in \mathcal{C}^*$, $|\delta| = 2$. So there is an x_π that maps δ to β ; i.e. $\lambda_r x_\pi = \alpha\lambda_\Omega + \lambda_\beta$. In case $\alpha = 0$ we are done. Otherwise we apply a transformation y_d with $\langle d, \beta \rangle = 1$. So we have $\lambda_r x_\pi y_d^\alpha = \lambda_\beta$.

D Mapping a feasible type-2 vector in $\Lambda/2\Lambda$ to the type-2 vector $\lambda_\Omega + \lambda_\beta$ fixing the standard type-2 vector λ_β

In this appendix we show how to find an element g of H that maps an arbitrary feasible type-2 vector λ_r in $\Lambda/2\Lambda$ to the standard feasible vector $\lambda_\Omega + \lambda_\beta$ in $\Lambda/2\Lambda$. Here the term *feasible* is defined as in Section 8.

We use the same notation as in Appendix A. We apply an operation $x_\pi \xi^k$, with $\pi \in H \cap \text{Aut}_{\text{St}} \mathcal{P}$ to a feasible vector in $\Lambda/2\Lambda$ of a given subtype 2X, so that the subtype is changed as in Figure 5. Note that $H \cap \text{Aut}_{\text{St}} \mathcal{P}$ operates on set $\Omega = \{0, \dots, 23\}$ as the subgroup of the permutation group M_{24} fixing the set $\beta = \{2, 3\}$. Finally, we apply an operation $x_\pi \xi^k$ to a feasible vector of subtype 20 in order to map that vector to $\lambda_\Omega + \lambda_\beta$.

From subtype 21 to subtype 22

The same argument as in the corresponding case in Appendix C shows that there is a $k = \pm 1$ such that $\lambda_r \xi^k$ is of subtype 22. Since $\xi \in H$ the vector $\lambda_r \xi^k$ is feasible.

From subtype 22 to subtype 20

Let $\lambda_r = \lambda_d + \lambda_\delta$ be of subtype 22. Then d is an octad or a complement of an octad. We call that octad o . Then $\Lambda(\lambda_r)$ has shape $(2^8 0^{16})$. Since λ_r is feasible, the set $\{2, 3\}$ is either contained in or disjoint to the octad o . Assume first that o is a *grey* even octad (in the notation of [13]), i.e. a union of two columns of the MOG. Then by Lemma A.1 there is a $k = \pm 1$ such that $\Lambda(\lambda_r) \cdot \xi^k$ has shape $(4^2 0^{22})$. So $\lambda_r \xi^k$ is of subtype 40.

Otherwise, if the set $\{2, 3\}$ is contained in o then we first map the octad o to the octad $\{0, 1, 2, 3, 4, 5, 6, 7\}$, using a permutation in M_{24} that fixes the set $\{2, 3\}$.

If the set $\{2, 3\}$ is not contained in o then we first construct a permutation in M_{24} that fixes $\{2, 3\}$, and maps four elements of $o = \{o_0, \dots, o_7\}$ to $\{4, 5, 6, 7\}$. Therefore we compute the syndrome of the set $\{2, 3, o_0, o_1, o_2\}$, which is a cocode word of length 3. That syndrome intersects with o in exactly one element o_j . Then we construct a permutation in M_{24} that maps the tuple $(2, 3, o_0, o_1, o_2, o_j)$ to the tuple $(2, 3, 4, 5, 6, 7)$. Such a permutation exists, since both tuples are subsets of an octad. This permutation maps o to a grey even octad and fixes the set $\{2, 3\}$.

From subtype 20 to the vector $\lambda_\Omega + \lambda_\beta$

Let λ_r be feasible and of subtype 20. Then $\lambda_r = \alpha \lambda_\Omega + \lambda_\delta$, $\alpha = 0, 1$, for some $\delta \in \mathcal{C}^*$, $|\delta| = 2$. In case $\delta = \beta$ we have $\lambda_r = \lambda_\Omega + \lambda_\beta$, so that we are done.

Otherwise both elements of δ are different from 2 and 3. In case $\delta = \{0, 1\}$ the transformation ξ^k with $k = 2 - \alpha$ maps λ_r to $\lambda_r \xi^k = \lambda_\Omega + \lambda_\beta$.

In case $\delta \neq \{0, 1\}$ we first apply an $x_\pi \in H \cap \text{Aut}_{\text{St}} \mathcal{P}$ corresponding to a permutation in M_{24} that maps δ to $\{0, 1\}$ and fixes $\beta = \{2, 3\}$.

References

- [1] M. Aschbacher. *Sporadic Groups*. Cambridge University Press, New York, 1986.
- [2] J. H. Conway. A simple construction of the Fischer-Griess monster group. *Inventiones Mathematicae*, 79, 1985.
- [3] J. H. Conway, R. T. Curtis, S. P. Norton, R. A. Parker, and R. A. Wilson. *Atlas of Finite Groups*. Clarendon Press, Oxford, 1985.
- [4] J. H. Conway and N. J. A. Sloane. *Sphere Packings, Lattices and Groups*. Springer-Verlag, New York, 3rd edition, 1999.
- [5] R. L. Griess. The friendly giant. *Invent. Math*, 69:1–102, 1982.
- [6] P. E. Holmes and R. A. Wilson. A new computer construction of the monster using 2-local subgroups. *Journal of the London Mathematical Society*, 67(2):349–364, 2003.
- [7] A. A. Ivanov. *Geometry of Sporadic Groups I, Peterson and Tilde Geometries*. Encyclopedia of Mathematics and its Applications. Cambridge University Press, 1999.
- [8] A. A. Ivanov. *The Monster Group and Majorana Involutions*. Cambridge University Press, April 2009.
- [9] S. Linton, R. Parker, P. Walsh, and R. Wilson. Computer construction of the monster. *Journal of Group Theory*, 1:307–337, 1998.
- [10] J. Müller. On the action of the sporadic simple baby monster group on its conjugacy class 2B. *LMS Journal of Computation and Mathematics*, 11:15–27, 2008.
- [11] J. Müller, M. Neunhöffer, and R.A. Wilson. Enumerating big orbits and an application: B acting on the cosets of $F_{i_{23}}$. *Journal of Algebra*, 314:75–96, 2006.
- [12] S. P. Norton. Anatomy of the monster I. In *The Atlas of Finite Groups: Ten Years On*, pages 198–214. Cambridge University Press, 1998.
- [13] M. Seysen. A computer-friendly construction of the monster. *arXiv e-prints*, page arXiv:2002.10921, February 2020.
- [14] M. Seysen. `mmgroup`, a python implementation of the monster group. <https://github.com/Martin-Seysen/mmgroup>, 2020.
- [15] R. A. Wilson. The Monster and black-box groups. *arXiv e-prints*, page arXiv:1310.5016, October 2013.