

Petri nets in epidemiology

Carlos Segovia*

June 8, 2022

Abstract

In this work we study Petri nets associated to ordinary differential equations coming from epidemiological models. We propose a geometric procedure to obtain the basic reproduction number. This number is defined as the average number of secondary individuals during their entire infectious lifetime.

1 Introduction

A Petri net consists of places (represented by circles) and transitions (represented by squares). They are modeling distributed systems, with applications in vastly different sectors. A starting point for the theory of Petri nets, is the amusing book by Baez-Biamonte [Ba19]. They studied Petri nets which are equipped with a rate function which assigns a rate or parameter to each transition. In Section 2, we explain how a Petri net together with a rate function, defines completely a unique system of ordinary differential equations (ODE) usually called the rate equations.

Conversely, we can start with a system of ODEs and we wonder whether or not there is a Petri net which rate equations coincide with the original ODEs. In fact, this always occurs in epidemiology. The ODEs satisfy certain properties which allow us to define a Petri net with a rate function. In this work we construct the Petri nets of the models SIS, SIR, SEIR, SEAIR, SCIRS and SIQR. In addition, we find the Petri nets of SIR's models for Malaria and Cholera. The ODEs together with an associated Petri net are referred as structured ODEs in Section 3.

The main purpose of this work is to propose a geometric procedure to obtain the basic reproduction number of an epidemiological model. Motivated by the SIR model of Kermack-McKendrick [KM27], we simplify the Petri net of an epidemiological model into three disjoint modules (Susceptible, Infected and Recovery). They are sub-Petri nets with species and transitions associated to properties which define each module. Briefly, the susceptible module has species and transitions associated to the behavior of the susceptible population (borne, decease, migration, emigration, etc); the infection module has transitions where occurs the infections of the susceptible population and some species that connect them; and the recovery module consists of all the species which infect the susceptible population (infected, exposed, asymptomatic, carrier, etc.) together with some transitions relating them. In Section 4, we exemplified these modules for some models in epidemiology.

In order to find the basic reproduction number of an epidemiological model, we need to consider the flows of populations starting from the susceptible module, which are infected in the infection module by an infected individual and we product them by the expected time the new infected individuals spend in the recovery module. This expected time depends on considering all the paths generated by the new

*Instituto de Matemáticas UNAM-Oaxaca: csegovia@matem.uanm.mx

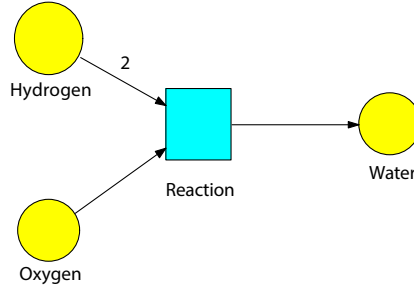


Figure 1: The formation of water.

infected individuals that cross the recovery module and return to the infection module. We will see in Proposition 10 that the expected time an individual spends in these paths takes into account the second instance transitions connected to each specie in the path. It is important to remark that in this work, we consider only paths which start and end in the same infection transition.

In Section 5, we provide a precise definition of the basic reproduction number. This could be the starting point of geometric interpretations of some combinations of parameters which can be structured by a Petri net. We expect this work can be interesting for applied category theory, for instance, the compositional context of open Petri nets of Baez-Master [BM20]. In Section 6, we provide a wide variety of examples where we calculate the basic reproduction number with our method.

The present work is part of the project “Petri nets” in the seventh school of mathematics in Oaxaca. The author is supported by Investigadores por México and Proyecto CONACYT ciencias básicas 2016, No. 284621.

2 Petri nets

A *Petri net* consists of a set of species $S = \{x_1, \dots, x_k\}$ and a set of transitions $T = \{y_1, \dots, y_l\}$, together with an input function $i : S \times T \rightarrow \mathbb{N}$ and an output function $o : S \times T \rightarrow \mathbb{N}$ which say the number of times each specie is the input or output for each transition, respectively. We start with the Petri net associated to the formation of water.

Example 1. The formation of water has three species $S = \{H, O, W\}$ denoting Hydrogen, Oxygen and Water; and one transition $T = \{R\}$ denoting the Reaction. The values of the input and output functions are as follows

$$\begin{aligned} i(H, R) &= 2, & o(H, R) &= 0, \\ i(O, R) &= 1, & o(O, R) &= 0, \\ i(W, R) &= 0, & o(W, R) &= 1. \end{aligned} \tag{1}$$

We represent in Figure 1, the associated Petri net with circles and squares representing the species and the transitions, respectively.

A Petri net can be equipped with a *rate function* which assigns to each transition a rate or parameter,

$$r : T \rightarrow (0, \infty). \tag{2}$$

We have associated ordinary differential equations (ODE): for an specie $x_i \in S$, denote $m_i(y) := i(x_i, y)$

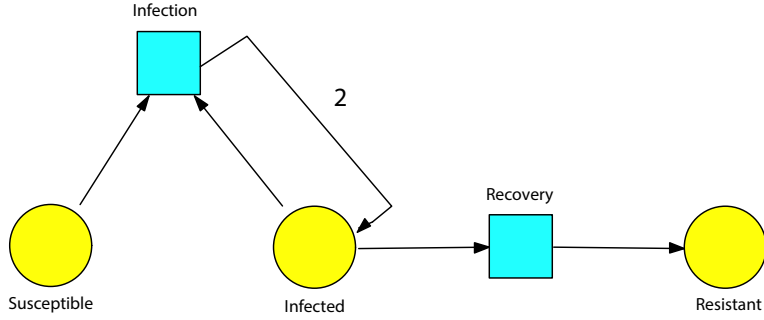


Figure 2: The SIR model.

and $n_i(y) := o(x_i, y)$, the *rate equations* are given by the sum over all the transitions

$$\frac{dx_i}{dt} = \sum_{y \in T} r(y) (n_i(y) - m_i(y)) x_1^{m_1(y)} \dots x_k^{m_k(y)}. \quad (3)$$

Example 2. The SIR model has species $S = \{S, I, R\}$ denoting Susceptible, Infected and Resistant. The transitions are given by $T = \{\text{Infection}, \text{Recovery}\}$. The rate function associates the following parameters $\beta = r(\text{Infection})$ and $\alpha = r(\text{Recovery})$. The Petri net is illustrated in Figure 2. Thus the rate equations conform the well known Kermack-McKendrick model [KM27],

$$\begin{aligned} S'(t) &= -\beta SI, \\ I'(t) &= \beta SI - \alpha I, \\ R'(t) &= \alpha I. \end{aligned} \quad (4)$$

Example 3. The Malthusian model in demography, has a Petri net with one specie {Population} denoted by N and two transitions {Borne, Disease} with parameters $\{\Lambda, \mu\}$, respectively. The Petri net is illustrated in Figure 3. The rate equation is as follows,

$$N'(t) = \Lambda - \mu N. \quad (5)$$

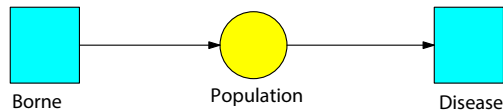


Figure 3: The Malthusian model.

Remark 4. For a Petri net, we can also associate values to the arrows. This happens specially in the case of a bifurcation of a transition into different species. More precisely, each transition $y \in T$ has associated a set of conflicting species $C(y) = \{x_i \in S : n_i(y) \geq m_i(y)\}$. Denote by $e_i(y)$ the value assigned to the arrows from y to $x_i \in C(y)$. We request this assignment behaves as a probability, i.e., for each transition $y \in T$, the following equation must be satisfied

$$\sum_{x_i \in C(y)} (n_i(y) - m_i(y))e_i(y) = 1, \quad (6)$$

We will assume $e_i(y) = 1$ for pairs (x_i, y) where $x_i \notin C(y)$ for all $y \in T$. The rate equations are defined by the formula

$$\frac{dx_i}{dt} = \sum_{y \in T} r(y)e_i(y) (n_i(y) - m_i(y)) x_1^{m_1(y)} \dots x_k^{m_k(y)}. \quad (7)$$

3 Structured ODEs

Conversely, we can start with ordinary differential equations (ODE) and we wonder whether or not there is a Petri net which rate equations coincide with the original ODEs. This is not always true, for example, the system given by the equations $dx_1/dt = \alpha x_2$ and $dx_2/dt = -\alpha x_1$ lacks of an associated Petri net.

The ODEs associated to a Petri net, consists of polynomial equations in terms of variables corresponding to the species which are multiplied by the parameters of the transitions. A necessarily condition for the ODEs to have an associated Petri net, consists that each monomial which comes along a parameter, is preserved for the same parameter. This is understood by a function from the transitions T to the set of monomials, with constant term equals to 1, with variables the species $S = \{x_1, \dots, x_k\}$. This set of monomials is denoted by $M(S)$, hence the previous function has the form

$$m : T \rightarrow M(S). \quad (8)$$

There are functions $m_i : T \rightarrow \mathbb{N}$ which assigns to each transition the exponent of the variable x_i inside the monomial $m(y)$. Notice that in the case $m(y)$ does not have the variable x_i , then the value $m_i(y)$ is zero.

Under this conditions, the ODEs under consideration are sums over all transitions

$$\frac{dx_i}{dt} = \sum_{y \in T} f(x_i, y)m(y), \quad (9)$$

where $f(x_i, y) \in \mathbb{Z}$ are integers such that $f(x_i, y) + m_i(y) \in \mathbb{N}$.

It is not so difficult to find the graphical structure of the associated Petri net. First, we locate all the species $S = \{x_1, \dots, x_k\}$ and the transitions $T = \{y_1, \dots, y_l\}$. Subsequently, for each transition $y \in T$, we draw $m_i(y)$ arrows from the specie x_i to the transition y . Finally, for each transition $y \in T$, we draw $n_i(y) = f(x_i, y) + m_i(y)$ arrows from the transition y to the specie x_i .

In the rest of this section we provide a large number of examples.

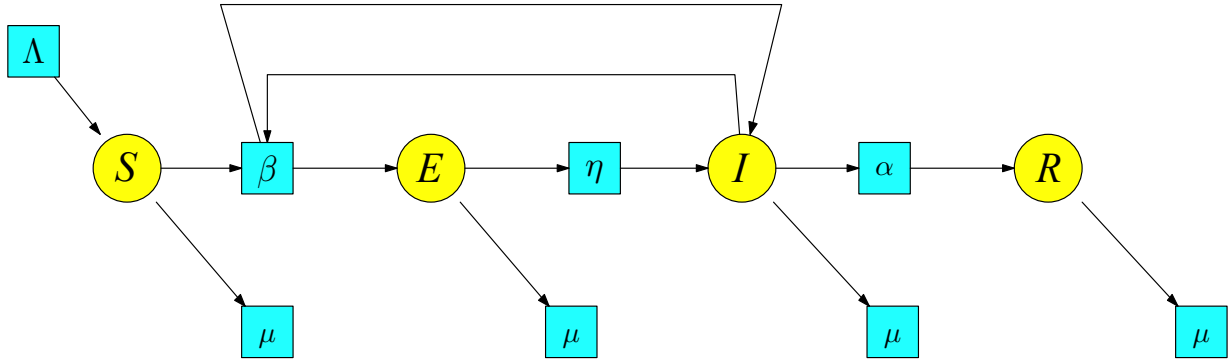


Figure 4: The SEIR model.

Example 5. The SEIR model has the compartments $\{S, E, I, R\}$ which denote Susceptibles, Exposed, Infected and Resistant. The compartment E consists of individuals which are not immediately infectious. The ODEs associated are given as follows

$$\begin{aligned}
 S'(t) &= \Lambda - \beta SI - \mu S, \\
 E'(t) &= \beta SI - (\eta + \mu)E, \\
 I'(t) &= \eta E - (\alpha + \mu)I, \\
 R'(t) &= \alpha I - \mu R.
 \end{aligned}
 \tag{10}$$

We will denote the transitions by their associated parameters. Thus each specie in $\{S, E, I, R\}$ has associated a transition of decease, all denoted by μ , and the specie S has a born transition Λ completing a Malthusian model for the susceptible population. The monomials associated to the previous transitions are understood. In addition, we have the transitions of infection β , infectious η and recovery α . These transitions have associated the monomials $m(\beta) = SI$, $m(\eta) = E$ and $m(\alpha) = I$. The function $f : S \times T \rightarrow \mathbb{Z}$ has the non-trivial values

$$f(S, \beta) = f(E, \eta) = -1 \text{ and } f(E, \beta) = f(I, \eta) = f(R, \alpha) = 1. \tag{11}$$

and all other values are equal to zero. Therefore, we have the system

$$\begin{aligned}
 n_I(\beta) - m_I(\beta) &= 0, & n_E(\eta) - m_E(\eta) &= -1, \\
 n_S(\Lambda) - m_S(\Lambda) &= 1, & n_I(\eta) - m_I(\eta) &= 1, \\
 n_S(\beta) - m_S(\beta) &= -1, & n_I(\alpha) - m_I(\alpha) &= -1, \\
 n_E(\beta) - m_E(\beta) &= 1, & n_R(\alpha) - m_R(\alpha) &= 1.
 \end{aligned}
 \tag{12}$$

and $n_X(\mu) - m_X(\mu) = -1$ for $X \in \{S, E, I, R\}$. The minimal solution inside \mathbb{N} , is represented by the Petri net of Figure 4.

Example 6. Malaria is one of the diseases that have their presence constantly in human population. It is caused by the entry of the malaria parasite called Plasmodium into the bloodstream, due to the bite of an infected female Anopheles mosquito. A single bite by a malaria-carrying mosquito can lead to extreme sickness or death. A model of SIR's type is studied by Wedajo, Bole and Koya in [WBK18]. We have two populations (humans/mosquito) with a common disease. The species are of two different types. The susceptible, infected and resistant for humans, are denoted by $\{S_H, I_H, R_H\}$. The susceptible, infected for mosquitoes, are denoted by $\{S_M, I_M\}$. Similarly, the transitions are of two different types. We have borne, decease, infection and recovery for humans, with parameters $\{\Pi, \mu_H, \beta_{MH}, \sigma\}$. We have borne, decease and infection for mosquitoes, with parameters $\{\Lambda, \mu_M, \beta_{HM}\}$. Additionally, we have the

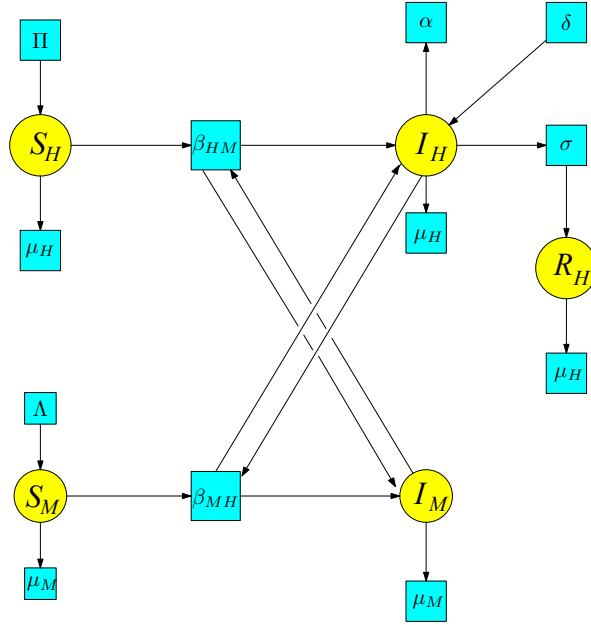


Figure 5: A SIR model for Malaria.

transitions α which is given by the decrease-death rate for humans, σ the recovery rate for humans and δ the infected-migration rate for humans. This model has the following equations

$$\begin{aligned}
 S'_H(t) &= \Pi - \beta_{HM}S_HI_M - \mu_H S_H, \\
 I'_H(t) &= \beta_{HM}S_HI_M - (\mu_H + \alpha + \sigma)I_H + \delta I_H, \\
 R'_H(t) &= \sigma I_H - \mu_H R_H, \\
 S'_M(t) &= \Lambda - \beta_{MH}S_MI_H - \mu_M S_M, \\
 I'_M(t) &= \beta_{MH}S_MI_H - \mu_M I_M.
 \end{aligned} \tag{13}$$

The associated Petri net is depicted in Figure 5.

Example 7. The Cholera is a disease with long history which came into prominence in the 19th century killing thousand of people in India. Parameters β_B and β_I are the transmission rates for water-to-person and person-to-person contact, respectively. The birth and non-disease-related death rate is given by μ . The infection period has mean given by $1/\gamma$. We use a variable B measuring the concentration of bacterium in the water, with ξ the removal rate of the bacterium, and α the shedding rate of bacterium by infectious humans. The model assumes that there is no death to cholera, so that the human population $N = S + I + R$ remains constant. A model of SIR's type is formulated by Tien-Earn in [TE10]. The equations which describe this model are

$$\begin{aligned}
 S'(t) &= \mu N - \beta_B S B - \beta_I S I - \mu S, \\
 I'(t) &= \beta_B S B + \beta_I S I - (\mu + \gamma) I, \\
 R'(t) &= \gamma I - \mu R, \\
 B'(t) &= \alpha I - \xi B.
 \end{aligned} \tag{14}$$

The associated Petri nets is depicted in Figure 6.

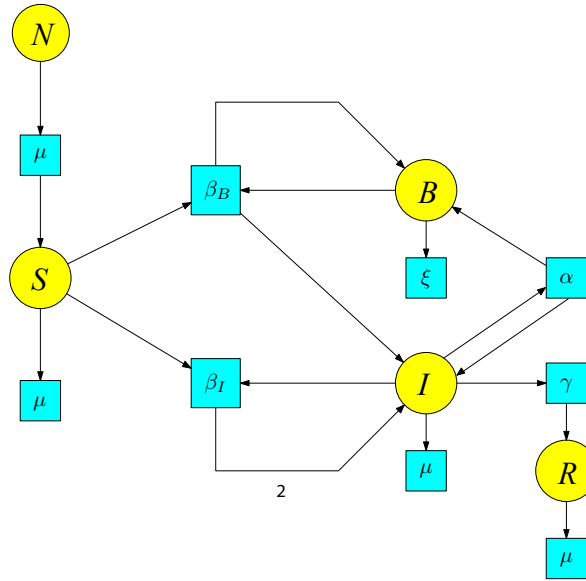


Figure 6: A SIR model for Cholera.

4 The Kermack-McKendrick model

Kermack-McKendrick [KM27] developed a model that even at present, it is the basic principle used to simulate a pandemic. This structure is known as the **SIR model** by the compartments *Susceptibles*, *Infected and Recovered*. This model assumes a constant population which is distributed in the compartments S , I and R , following the ODEs:

$$\begin{aligned} S'(t) &= -\beta SI, \\ I'(t) &= \beta SI - \alpha I, \\ R'(t) &= \alpha I. \end{aligned} \tag{15}$$

It is remarkable that any other model in epidemiology, used to study the phenomenon of a pandemic, follows the principles of the SIR model. Whenever we have a more complex epidemiological model with ODEs, by the previous section, we can associate a Petri net. In what follows, we are going to find three substructures inside this Petri net which completely define the basic reproduction number and which is the aim of the next Section 5. These three substructures are defined as follows:

- **The susceptible module (S)**. This is the Petri net associated to the susceptible species and all the transitions which model the behavior of the susceptible population (borne, decease, migration, emigration, etc).
- **The infection module (I)**. This is the Petri net associated to the infection transitions and some species that connect them (for example when it occurs a reinfection of two different disease, communication between two different infection transitions, etc).
- **The recovery module (R)**. This is the Petri net with all the different infection species of the study population (infected, exposed, asymptomatic, carrier, etc.). The transitions included are those which relate two infection species and also all the transitions with origin an infection specie.

In the next section we will explain how these substructures determine completely the basic reproduction number. Now we continue with some examples.

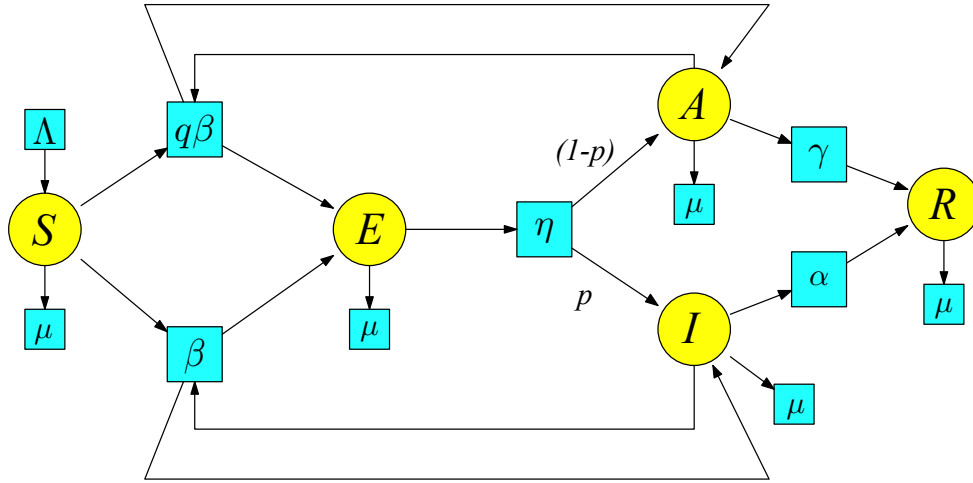


Figure 7: The SEAIR model.

Example 8. We start with the SIR model where the Petri net was given in Figure 2. Again denote the species by $\{S, I, R\}$ and the transitions by the parameters $\{\beta, \alpha\}$. The three modules are really simple and are described as follows: the susceptible module is just a Petri net with only one specie S and no transitions. The infection module is just the Petri net with only one transition β and no species. The recovery module is the Petri net given by only one specie I and only one transition α and the arrow $I \rightarrow \alpha$.

Example 9. The SEAIR model with species $\{S, E, A, I, R\}$ denoting Susceptibles, Exposed, Asymptomatic, Infected and Resistant. The compartment A consists of individuals where the infection does not show symptoms. The associated ODE from the book of Martcheva [Ma15, p.93], has the form

$$\begin{aligned}
 S'(t) &= \Lambda - \beta S(I + qA) - \mu S, \\
 E'(t) &= \beta S(I + qA) - (\eta + \mu)E, \\
 A'(t) &= (1 - p)\eta E - (\gamma + \mu)A, \\
 I'(t) &= p\eta E - (\alpha + \mu)I, \\
 R'(t) &= \alpha I + \gamma A - \mu R.
 \end{aligned} \tag{16}$$

The process proposed in Section 3, associates the Petri net in Figure 7. The (SIR) modules are described as follows: the susceptible module is a Malthusian model associated to the susceptible population. The Petri net has one specie S and two transitions given by birth and decease. The infection module is the disjoint union of the two transitions with parameters $q\beta$ and β . The Petri net associated to the recovery module has three species E, A and I with six transitions. These modules are illustrated in Figure 8.

5 The basic reproduction number of a Petri net

The implementation of a pandemic model in real life depends on the ability to find the parameters. In practice, some of them have an easy interpretation as delay times for certain transitions. For instance, in the pandemic models of SIR's type, the inverse of the parameters in the susceptible and the recovery modules are understood as the average time we spend in these transitions. However, in many cases some parameters lack of a real interpretation as something which is feasible to find effectively. This is the reason why it is important to find combinations of the parameters that express quantities which are

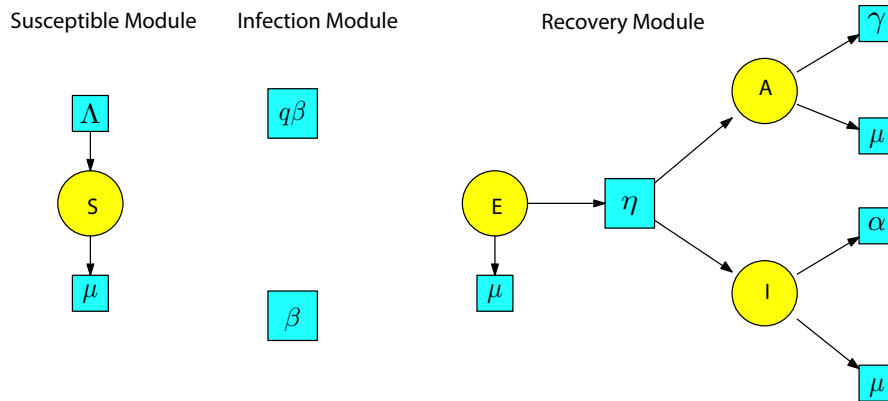


Figure 8: Susceptible, infection and recovery modules for the SEAIR model.

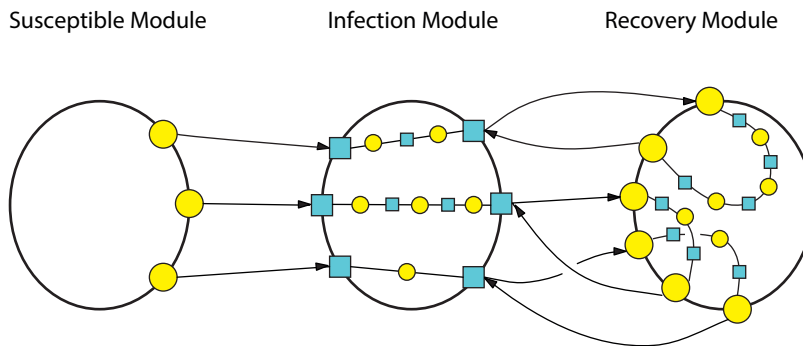


Figure 9: Interaction between the SIR modules.

possible to measure. For example, we can consider parameters associated to processes where we have the incoming and outgoing of populations of different types. Such is the case of the *basic reproduction number* R_0 . This number is defined as the average number of secondary individuals during their entire infectious lifetime.

There are several method to find the number R_0 . For example, the Jacobian approach, the Routh-Hurwitz criteria and the next-generation matrix, see the book of Martcheva [Ma15]. In this work we are proposing a geometric method to find the number R_0 . This is described as follows: first, for the ODEs associated to a pandemic model, we find the Petri net as in Section 3. Then we use the description from Section 4 of the SIR's modules for this Petri net. The next step is very important. We have to find the flows of populations from the susceptible module and the recovery module inside the infection module. For example in Figure 9, we have flows from the susceptible module which cross through the infection module and are infected by the population of the recovery module. In other words, there are paths inside the infection module with an incoming transition connected to the susceptible module and for the outputs of these paths, the interaction of an infected individual forms paths inside the recovery module that the new infected individuals cross and return in order to infect more individuals.

The basic reproduction number R_0 is defined as the sum of the following. For each path inside the infection module which is connected to an specie in susceptible module, we consider the number of

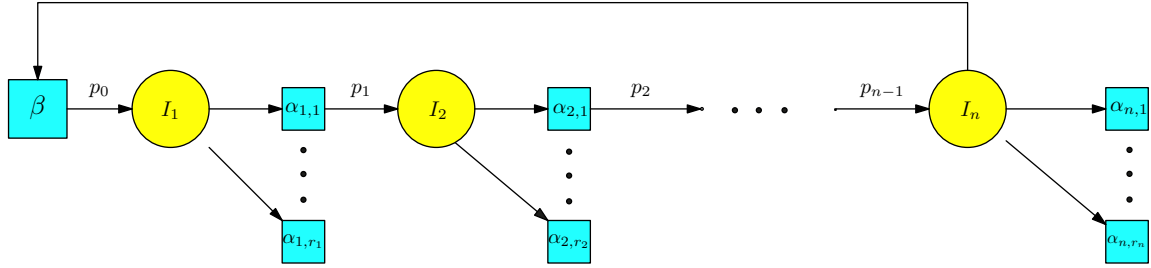


Figure 10: A circuit based at a transition with parameter β .

individuals from the incoming population of susceptibles that cross this path. This quantity is multiplied by the expected time the new infected spend in the recovery module.

In this work, the infection module has only transitions without any specie, so all paths in this module are constant. For each transition with parameter β , denote by $\text{Path}(\beta)$ the set of paths produced in the recovery module for which together with β , they form a circuit, i.e., a closed loop which starts in the transition β then goes through the path and return to β (this is defined below in more detail). Assume the species in the susceptible module, which are connected to the transitions in the infection module, are S_1, \dots, S_n and assume the specie S_i is connected to the transition associated to the parameter β_i . Thus the incoming population that cross through β_i is the product $\beta_i S_i$. It rest to find the expected time of the new infected individuals which were infected in the transition β_i . This is the sum of the mean time we spend over each path in $\text{Path}(\beta_i)$, i.e.,

$$E(\beta_i) = \sum_{\gamma \in \text{Path}(\beta_i)} E(\gamma). \quad (17)$$

Therefore, the number R_0 is the sum

$$R_0 = \sum_{i=1}^n \beta_i S_i \cdot E(\beta_i). \quad (18)$$

In general, the number R_0 is assumed as a constant value for a period of time, but actually, this number R_0 depends on time assuming time dependent populations $S_i(t)$.

A *path* from a specie x to a specie x' of length n , consists of a sequence of species x_1, \dots, x_n , with $x = x_1$, $x' = x_n$, and a sequence of transitions y_1, \dots, y_{n-1} , with arrows $x_i \rightarrow y_i$ and $y_i \rightarrow x_{i+1}$ for $1 \leq i \leq n-1$. We consider simple paths in the sense that $x_i \neq x_{i'}$ and $y_j \neq y_{j'}$, with $i \neq i'$ and $j \neq j'$, and there are not multiple arrows between an specie and a transition in both directions. Also we have the *second instance* transitions for the species, in the sense that we consider the next transitions connected to each specie $x_i \in S$ in the path for $1 \leq i \leq n$. More precisely, we need to add all possible bifurcations at each specie consisting of subsets of transitions $Y_i = \{y_{i,j} : \text{for } 1 \leq j \leq r_i\} \subset T$, for $1 \leq i \leq n$, where there are arrows $x_i \rightarrow y_{i,j}$ and for $1 \leq i \leq n-1$, assume an arrow $y_{i,1} \rightarrow x_{i+1}$ and none arrow $y_{i,j} \rightarrow x_{i+1}$ for $j \neq 1$. These paths at second instance are *simple* in the sense that $x_i \neq x_{i'}$ and $Y_j \cap Y_{j'} = \emptyset$, with $i \neq i'$ and $j \neq j'$. For a transition $y \in T$ in the infection module, we denote by $\text{Path}(y)$ the set of all simple paths at second instance $(x_1 \dots, x_n, Y_1 \dots, Y_n)$ where there are arrows $y \rightarrow x_1$ and $x_n \rightarrow y$ conforming a circuit. In Figure 10, we illustrate the circuit conformed by a transition with parameter β and a simple path of second instance where the species are denoted by I_1, \dots, I_n and the transitions y_{ij} have associated the parameter α_{ij} .

We end this section with the following result for the expected time associated to these paths.

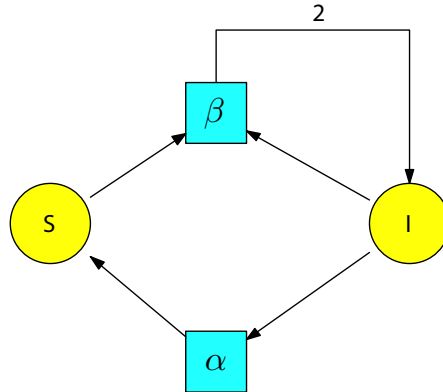


Figure 11: The SIS model.

Proposition 10. For a transition $y \in Y$ and a path $\gamma \in \text{Path}(y)$ of the form $(x_1 \cdots, x_n, Y_1 \cdots, Y_n)$, we assume the element $y_{ij} \in Y_i$ has parameter α_{ij} for $1 \leq j \leq r_i$. Therefore, the expected time we spend to cross the path γ , starting from y and return back, is obtained by the formula

$$E(\gamma) = \left(\prod_{i=1}^{n-1} \alpha_{i,1} \right) \left(\prod_{i=1}^n \sum_{s=1}^{r_i} \alpha_{i,s} \right)^{-1}. \quad (19)$$

In the case $n = 1$, the circuit γ has value $E(\gamma) = 0$.

Proof. Any time we pass through a specie I_i , for $i = 1, \dots, n$, we divide by the sum of the parameters corresponding to the transitions which start in this specie. Whenever we pass through a transition $\alpha_{i,1}$ the time has to be multiplied by the parameter. \square

Remark 11. In the case we have Petri nets where some arrows have associated some probability values (see Remark 4), then anytime we cross through these arrows we multiply by the associated value.

6 Applications

This last section is devoted to find the basic reproduction number for a broad number of models in epidemiology. We start with the simple ones increasing the degree of complexity. Most of the cases, the models were taken from the book Martcheva [Ma15] and the articles [LB20, SB21, Ba20, Va17].

Example 12. The SIS model has two species {Susceptible, Infected} and two transitions {Infection, Recovery} with parameters $\{\beta, \alpha\}$, respectively. The associated ODE is given by

$$\begin{aligned} S'(t) &= -\beta SI + \alpha I, \\ I'(t) &= \beta SI - \alpha I. \end{aligned} \quad (20)$$

Thus by Section 3, the Petri net is illustrated in Figure 11. The SIR's modules are really simple given by the specie S , the transition associated to β and the specie I together with the transition α and an arrow. There is a non-trivial circuit between the infection and the recovery modules. Thus by Proposition 10, the basic reproduction number is given by

$$R_0 = \frac{\beta}{\alpha}. \quad (21)$$

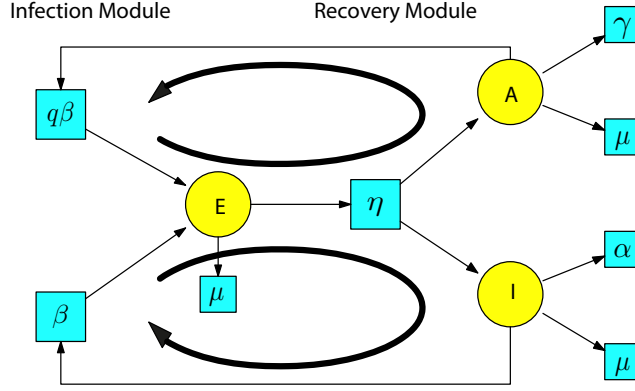


Figure 12: Circuits between the infection and the recovery modules for the SEAIR model.

The SIR model studied in Section 2, with ODE given in (15), has the associated Petri net illustrated in Figure 2. The SIR modules coincides with the ones associated to the SIS model. Therefore, the basic reproduction number R_0 coincides with (21). The value of this basic reproduction number is well-known and widely used, e.g., the COVID in Algeria [LB20].

Example 13. The SEAIR model, studied in Section 4, with species $\{S, E, A, I, R\}$ has associated the Petri net in Figure 7. There are two transitions with parameters $\beta_1 = q\beta$ and $\beta_2 = \beta$. The value of the population is consider constant equal to the limit population size given by $\frac{\Lambda}{\mu}$ for $t \rightarrow \infty$. The SIR modules were shown in Figure 8 and after we connect the three modules we obtain two non-trivial circuits illustrated in Figure 12. We apply Proposition 10 and we obtain that the mean time spend in these circuits are $E(q\beta) = \frac{(1-p)\eta}{(\eta+\gamma)(\mu+\gamma)}$ and $E(\beta) = \frac{p\eta}{(\eta+\mu)(\alpha+\mu)}$. As a consequence, the value of the basic reproduction number is the sum

$$R_0 = \frac{\left(q\beta\frac{\Lambda}{\mu}\right) (1-p)\eta}{(\eta+\gamma)(\mu+\gamma)} + \frac{\left(\beta\frac{\Lambda}{\mu}\right) p\eta}{(\eta+\mu)(\alpha+\mu)}.$$

This number coincides with Martcheva [Ma15, p.102] using the Routh-Hurwitz criterion.

Example 14. A modified SEAIR model is studied by Basnarkov [Ba20] for the epidemic spreading of COVID-19. This model has the following ODEs

$$\begin{aligned} S'(t) &= -\beta_1 SA - \beta_2 SI, \\ E'(t) &= \beta_1 SA + \beta_2 SI - \gamma E, \\ A'(t) &= \gamma E - (\sigma + \mu)A, \\ I'(t) &= \sigma A - \mu I, \\ R'(t) &= \mu A + \mu I. \end{aligned} \tag{22}$$

The Petri net of this ODEs is illustrated in Figure 13. We denote by S_0 the starting susceptible population. Since there are two non-trivial circuits, hence the basic reproduction number has the following value

$$R_0 = \frac{\beta_1 S_0 \gamma}{\sigma + \mu} + \frac{\beta_2 S_0 \gamma \sigma}{\mu(\sigma + \mu)}. \tag{23}$$

Example 15. The SEIR model, studied in Section 3 has species $\{S, E, I, R\}$ with ODE given in (10). This model has associated the Petri net in Figure 4. The susceptible module consists of a Malthusian

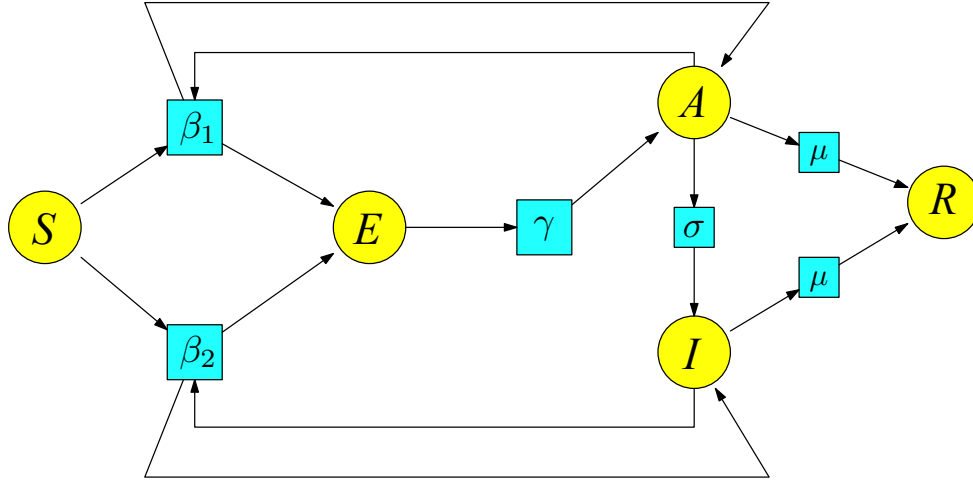


Figure 13: A modified SEAIR model.

model, while the infection module is just the infection transition with parameter β . The recovery module is composed by two species {Exposed, Infectious} and four transitions associated to the parameters η , α and two μ 's. There is just a non-trivial circuit with expected time $E(\beta) = \frac{\eta}{(\eta+\mu)(\alpha+\mu)}$. Again, the value of the population is consider constant equal to the limit population size given by $\frac{\Lambda}{\mu}$ for $t \rightarrow \infty$. As a consequence, the basic reproduction number is

$$R_0 = \frac{\left(\beta \frac{\Lambda}{\mu}\right) \eta}{(\eta + \mu)(\alpha + \mu)}. \quad (24)$$

This coincides with the basic reproduction number found by van den Driessche in [Val17, p. 291-292].

Example 16. Now we study another SEIR model used by Saika-Bora for the COVID-19 outbreak in India [SB21]. This model has species $\{S, E, I, R\}$ and the following ODE,

$$\begin{aligned} S'(t) &= \Lambda - (\beta + \beta')SI - \mu S, \\ E'(t) &= \beta SI - (\eta + \mu)E, \\ I'(t) &= \eta E - (\alpha + \mu)I + \beta' SI, \\ R'(t) &= \alpha I - \mu R. \end{aligned} \quad (25)$$

The associated Petri net is illustrated in Figure 14. The Susceptible module is a Malthusian model, while the infection module is the disjoint union of the transitions associated to the parameters β and β' . The recovery module has two species {Exposed, Infected} and four transitions associated to the parameters η , α and two μ 's. There are two non-trivial circuits with expected time $E(\beta) = \frac{\eta}{(\alpha+\mu)(\eta+\mu)}$ and $E(\beta') = \frac{1}{\alpha+\eta}$. The population is consider as a proportion with maximal value equal to 1. Therefore, the basic reproduction number is

$$R_0 = \frac{\beta \eta}{(\alpha + \mu)(\eta + \mu)} + \frac{\beta'}{\alpha + \eta}. \quad (26)$$

This coincides with the value found by Saikia-Bora [SB21] using the equilibrium of the system.

Example 17. The SCIRS model has species $\{S, C, I, R\}$ meaning Susceptible, Carried, Infected, Recov-

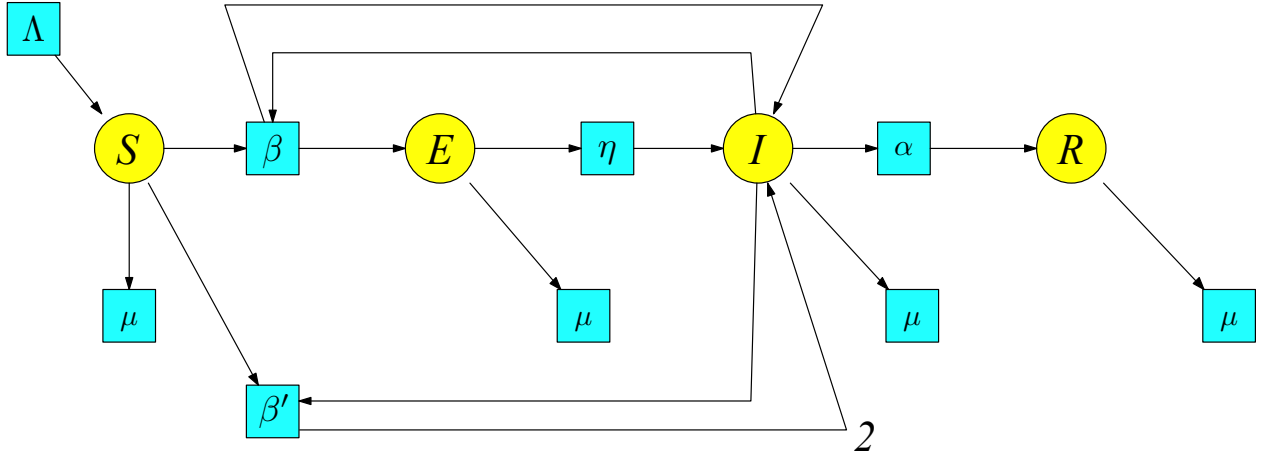


Figure 14: A modified SEIR model.

ery. The carried individuals do not show any symptoms of the infection. The associated ODEs are

$$\begin{aligned}
 S'(t) &= \Lambda - \beta S(I + qC) - \mu S + \rho R, \\
 C'(t) &= \beta S(I + qC) - (\eta + \gamma + \mu)C, \\
 I'(t) &= \eta C - (\alpha + \mu)I, \\
 R'(t) &= \alpha I + \gamma C - (\mu + \rho)R.
 \end{aligned}
 \tag{27}$$

The Petri net associated to the SCIRS model is depicted in Figure 15. The Susceptible module is again a Malthusian model, while the infection module is the disjoint union of the two transitions with parameters β and $q\beta$. The recovery module has two species $\{C, I\}$ and five transitions associated to the parameters α, γ, η and two μ 's. Again, the value of the population is consider constant equal to the limit population size given by $\frac{\Lambda}{\mu}$ for $t \rightarrow \infty$. There are two non-trivial circuits with expected times $E(\beta) = \frac{\eta}{(\eta + \gamma + \mu)(\alpha + \mu)}$ and $E(q\beta) = \frac{1}{\eta + \gamma + \mu}$. As a consequence, the basic reproduction number is

$$R_0 = \frac{\left(\frac{\beta \Lambda}{\mu}\right) \eta}{(\eta + \gamma + \mu)(\alpha + \mu)} + \frac{q\beta \frac{\Lambda}{\mu}}{\eta + \gamma + \mu}.
 \tag{28}$$

This coincides with the value of R_0 found by Martcheva [Ma15, p. 99] using the reduction Jacobian to a 2×2 matrix.

Example 18. The SIQR model has species $\{S, I, Q, R\}$ meaning Susceptible, Infected, Quarantine, Recovery. The individuals in quarantine are isolated from the susceptible population. The associated ODEs are

$$\begin{aligned}
 S'(t) &= \Lambda - \beta SI - \mu S, \\
 I'(t) &= \beta SI - (\alpha + \gamma + \mu)I \\
 Q'(t) &= \gamma I - (\eta + \mu)Q, \\
 R'(t) &= \alpha I + \eta Q - \mu R.
 \end{aligned}
 \tag{29}$$

The Petri net associated to the SIQR model is depicted in Figure 16. The Susceptible module is again a Malthusian model, while the infection module is just the transitions with parameter β . The recovery module has one specie $\{I\}$ and three transitions associated to the parameters α, γ and μ . Again, the value of the population is consider constant equal to the limit population size given by $\frac{\Lambda}{\mu}$ for $t \rightarrow \infty$. There

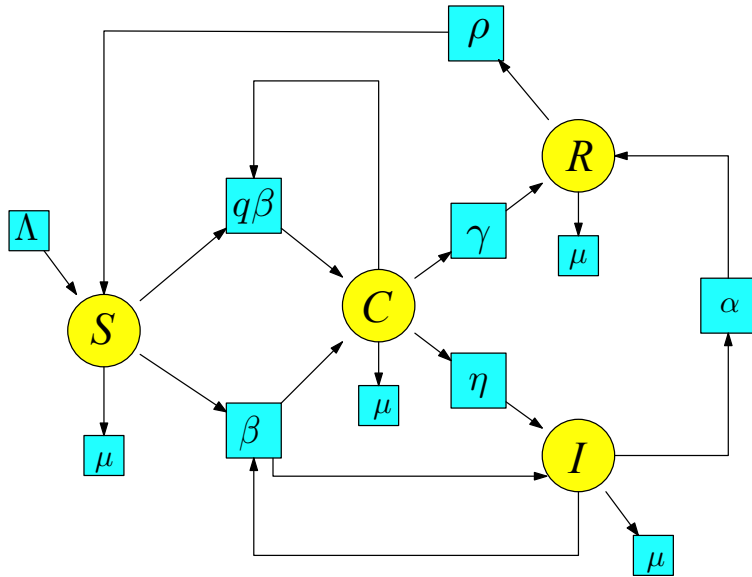


Figure 15: The SCIRS model.

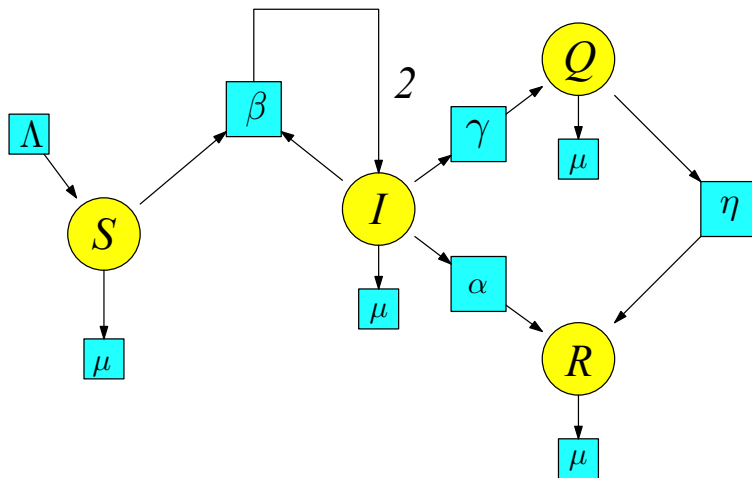


Figure 16: The SIQR model.

are one non-trivial circuit with expected time $E(\beta) = \frac{1}{\alpha + \gamma + \mu}$. As a consequence, the basic reproduction number is

$$R_0 = \frac{\left(\beta \frac{\Lambda}{\mu}\right) \eta}{\alpha + \gamma + \mu}. \quad (30)$$

References

- [Ba19] John C. Baez and Jacob Biamonte, *Quantum Techniques for Stochastic Mechanics*. (2019) [arXiv:1209.3632](https://arxiv.org/abs/1209.3632).
- [BM20] John C. Baez and Jade Master, *Open Petri nets*. *Math. Structures Comput. Sci.* 30 (2020), no. 3, 314–341.
- [Ba20] Lasko Basnarkov, *SEAIR Epidemic spreading model of COVID-19*. *Chaos, Solitons and Fractals* 142 (2021) 110394.
- [KM27] W.O. Kermack and A.G. McKendrick, *A contribution to the mathematical theory of epidemics*. *Proc. of the Royal Society of London* 115 (772): 700-721 (1927).
- [LB20] Mohamed Lounis and Dilip Kumar Bagal, *Estimation of SIR model's parameters of COVID-19 in Algeria*. *Bull Natl Res Cent.* 2020; 44(1): 180.
- [Ma15] Maia Martcheva, *An Introduction to Mathematical Epidemiology*. *Texts in Applied Mathematics*, 61. Springer, New York, 2015.
- [Sn12] M Heiner, M Herajy, F Liu, C Rohr and M Schwarick, *Snoopy a unifying Petri net tool*. In *Proc. PETRI NETS 2012*, Hamburg, Springer, LNCS, volume 7347, pp. 398–407, June 2012.
- [SB21] D. Saika and K. Bora, *COVID-19 outbreak in India: an SEIR model-based analysis*, *Nonlinear Dyn* (2021) 104: 4727-4751.
- [TE10] J.H. Tien and D.J.D. Earn, *Multiple transmission pathways and disease dynamics in a waterborne pathogen model*. *Bulletin of Mathematical Biology*, 72 (6), 1506-1533.
- [Va17] P. van den Driessche, *Reproduction numbers of infectious disease models*. *Infectious Disease Modelling* 2 (2017) 288-303.
- [WBK18] A. G. Wedajo, B. K. Bole, P. R. Koya, *Analysis of SIR Mathematical Model for Malaria disease with the inclusion of Infected Immigrants*. *IOSR Journal of Mathematics*, Vol., Issue 5 Ver. I (2018), 10-21.