

A quantum algorithm to estimate the closeness to the Strict Avalanche criterion in Boolean functions

C. A. Jothishwaran¹, Abhishek Chakraborty³, Vishvendra Singh Poonia¹
Pantelimon Stănică³, Sugata Gangopadhyay²

¹ Department of Electronics and Communication Engineering

² Department of Computer Science and Engineering,

Indian Institute of Technology Roorkee, Roorkee 247667, INDIA

{jc.a, vishvendra}@ece.iitr.ac.in, sugata.gangopadhyay@cs.iitr.ac.in

³ Department of Physics and Astronomy

University of Rochester, Rochester, NY 14627-0171, USA

achakra9@ur.rochester.edu

⁴ Department of Applied Mathematics

Naval Postgraduate School, Monterey, CA 93943-5216, USA

pstanica@nps.edu

Abstract. We propose a quantum algorithm (in the form of a quantum oracle) that estimates the closeness of a given Boolean function to one that satisfies the “strict avalanche criterion” (SAC). This algorithm requires n queries of the Boolean function oracle, where n is the number of input variables, this is fewer than the queries required by the classical algorithm to perform the same task. We compare our approach with other quantum algorithms that may be used for estimating the closeness to SAC and it is shown our algorithm verifies SAC with the fewest possible calls to quantum oracle and requires the fewest samples to for a given confidence bound.

Keywords: Boolean functions, Fourier spectrum, strict avalanche criterion, quantum algorithms

1 Introduction

An n -variable Boolean function F is a function from \mathbb{F}_2^n to \mathbb{F}_2 . The set of all such functions is denoted by \mathfrak{B}_n . We associate to each function $F \in \mathfrak{B}_n$ its character form $f : \mathbb{F}_2^n \rightarrow \mathbb{R}$, defined by $f(x) = (-1)^{F(x)}$, for all $x \in \mathbb{F}_2^n$ (we use capitals letters for classical Boolean functions and lower cases for their signatures). In this article, abusing notation, we refer to the character forms f as Boolean functions and go to the extent of writing $f \in \mathfrak{B}_n$, whenever $F \in \mathfrak{B}_n$, surely, if there is no danger of confusion. For any $x, y \in \mathbb{F}_2^n$, the inner product is $x \cdot y = \sum_{i=1}^n x_i y_i$, where the sum is over \mathbb{F}_2 . The (Hamming) weight of a vector $u = (u_1, \dots, u_n) \in \mathbb{F}_2^n$ is $\text{wt}(u) = \sum_{i=1}^n u_i$, where the sum is over \mathbb{Z} . The weight of a Boolean function $F \in \mathfrak{B}_n$, or equivalently $f \in \mathfrak{B}_n$ is the cardinality $\text{wt}(F) = |\{x \in \mathbb{F}_2^n : F(x) \neq 0\}|$, or equivalently $\text{wt}(f) = |\{x \in \mathbb{F}_2^n : f(x) \neq 1\}|$. We define the Fourier coefficient of f at $u \in \mathbb{F}_2^n$ by $\hat{f}(u) = 2^{-n} \sum_{x \in \mathbb{F}_2^n} f(x) (-1)^{u \cdot x}$. Recall the well known Parseval’s identity $\sum_{u \in \mathbb{F}_2^n} \hat{f}(u)^2 = 1$. The derivative of $f \in \mathfrak{B}_n$ at $c \in \mathbb{F}_2^n$ is the function $\Delta_c f(x) = f(x) f(x+c)$ (or, equivalently, $\Delta_c F(x) = F(x+c) + F(x)$), for all $x, c \in \mathbb{F}_2^n$.

2 Strict Avalanche Criterion

A Boolean function $f \in \mathfrak{B}_n$ satisfies the strict avalanche criterion (SAC) if the probability of the function changing its value when a single input value is flipped is exactly 0.5 that is, the derivative $\Delta_c f(x)$ is a balanced function for all $c \in \mathbb{F}_2^n$ such that $\text{wt}(c) = 1$. We

refer to Budaghyan [4], Carlet [5], and Cusick and Stănică [6] for detailed discussions on SAC and other cryptographic properties of Boolean functions. The Fourier transform of the function $\widehat{f}(w)$ satisfies the following relation

$$\sum_{w \in \mathbb{F}_2^n} (-1)^{w \cdot c} \widehat{f}(w)^2 = 0, \text{ for all } c \in \mathbb{F}_2^n \text{ such that } \text{wt}(c) = 1. \quad (1)$$

As there are n possible strings c of weight 1, the above expression represents n different relations simultaneously satisfied by $\widehat{f}(w)$. These relations can also be written in terms of w_i , the i^{th} bit of w as follows:

$$\begin{aligned} \sum_{w \in \mathbb{F}_2^n} (-1)^{w_i} \widehat{f}(w)^2 &= 0, \forall i \in [n] : [n] \equiv \{1, 2, \dots, n\}, \\ \text{i.e., } \sum_{w \in \mathbb{F}_2^n | w_i=0} \widehat{f}(w)^2 &= \sum_{w \in \mathbb{F}_2^n | w_i=1} \widehat{f}(w)^2 = \frac{1}{2}, \forall i \in [n]. \end{aligned} \quad (2)$$

The last relation is obtained by using Parseval's identity. SAC can also be defined in terms of the autocorrelation coefficients of the Boolean function $f(x)$ given by:

$$\check{f}(a) = \sum_{x \in \mathbb{F}_2^n} f(x)f(x+a) \quad \forall a \in \mathbb{F}_2^n \quad (3)$$

By the above definition, any Boolean function f satisfying SAC will have

$$\check{f}(a) = 0 \quad \forall a \in \mathbb{F}_2^n : \text{wt}(a) = 1 \quad (4)$$

Finally, the autocorrelation coefficients are related to the Fourier coefficient through the inverse transform $f(x) = \sum_{u \in \mathbb{F}_2^n} \widehat{f}(u)(-1)^{u \cdot x}$ as follows

$$\check{f}(a) = 2^n \sum_{u \in \mathbb{F}_2^n} \widehat{f}(u)^2 (-1)^{u \cdot a} \quad (5)$$

Therefore, the autocorrelation condition for the criterion is equivalent to the first result in Equation 2. A classical algorithm for estimating the closeness to SAC functions is given in the following section.

3 Classically estimating closeness the to SAC functions

Since the strict avalanche criterion (SAC) for a function $f \in \mathfrak{B}_n$ is defined in terms of the balanced nature of the derivatives, $\Delta_a f$ corresponding to all $c \in \mathbb{F}_2^n : \text{wt}(a) = 1$. The closeness of a given function to a SAC function can be estimated by estimating the bias of the relevant derivative functions. The bias of $g \in \mathfrak{B}_n$ can be in terms of the expectation value $\mathbf{E}[g]$ under uniform sampling of the inputs. The bias can also be defined in terms of the weight of a Boolean function. The following are the definitions of the bias $\mathbf{B}[g]$:

$$\begin{aligned} \mathbf{B}[g] &= 2^n \mathbf{E}[g] = 2^n \left(\Pr[g(x) = 1] - \Pr[g(x) = -1] \right) \\ &= [2^n - 2 \cdot \text{wt}(g)] \end{aligned} \quad (6)$$

In general $-2^n \leq \mathbf{B}[g] \leq 2^n$, for the case of a balanced function, $\mathbf{B}[g] = 0$. Algorithm 1 can be used to test the closeness of a given function $f \in \mathfrak{B}_n$ to a SAC function.

Algorithm 1 Estimating the closeness to a SAC function.

Input: Oracle access to the Boolean function f

- 1: Choose $a \in \mathbb{F}_2^n$ such that $\text{wt}(a) = 1$.
- 2: Take m uniformly random samples of $x \in \mathbb{F}_2^n$ listed as $\{x^{(1)}, x^{(2)}, \dots, x^{(m)}\}$.
- 3: Calculate the sample mean of the function $f(x)f(x+a)$, ϵ_a given by:

$$s = \frac{1}{m} \sum_{i=1}^m f(x^{(i)})f(x^{(i)} + a)$$

- 4: Estimate the bias as, $\tilde{\epsilon}_a = 2^n s$.
- 5: Repeat for all allowed values of a .
- 6: Evaluate the quantity

$$\tilde{\epsilon} = \frac{1}{2} \sum_{\substack{a \in \mathbb{F}_2^n \\ \text{wt}(a)=1}} \epsilon_a$$

- 7: Return ϵ as the estimated distance to a SAC function
-

Theorem 1. *If the bias of the derivative function $f(x)f(x+a)$ for all $\text{wt}(a) = 1$ is given by ϵ_a , then f is at most ϵ distant from a SAC function, where ϵ is defined as:*

$$\epsilon = \frac{1}{2} \sum_{\substack{a \in \mathbb{F}_2^n \\ \text{wt}(a)=1}} \epsilon_a \quad (7)$$

Proof. It can be readily noted that the bias, $\mathbf{B}[f(x)f(x+a)]$ is numerically equal to the autocorrelation $\check{f}(a)$. In the case of a SAC function g , $\check{g}(a) = 0$ for all relevant values as mentioned in Equation 4.

This implies that for each allowed value of a , the value of the function $f(x+a)$ must be flipped at exactly $\epsilon_a/2$ points for the bias of the derivative $\mathbf{B}[f(x)f(x+a)]$ to vanish. When this process can be simultaneously done for all n allowed values of a , the given Boolean function can be converted to a SA function.

Since the number of value inversion of the function is given by $\epsilon_a/2$ for each allowed a , the maximum number of points where the value of f may need be changed is given by ϵ where,

$$\epsilon = \frac{1}{2} \sum_{\substack{a \in \mathbb{F}_2^n \\ \text{wt}(a)=1}} \epsilon_a$$

Therefore, there exists a Boolean function g that satisfies the strict avalanche criterion, that is at most ϵ -distant from the given Boolean function f . \square

Theorem 3 establishes that Algorithm 1 can be used to estimate the closeness of a given Boolean function to some SA function. However, the issue of the accuracy of the bias estimates must be addressed and this will be done in section 7.

4 Quantum information: definitions and notation

In this section, we will introduce some notation that we use throughout the paper. For an introduction to quantum computing, we refer to Rieffel and Polak [10], or Nielsen and

Chuang [9]. The fundamental unit of quantum information is called a qubit. The states of a qubit is denoted by $|\psi\rangle = a|0\rangle + b|1\rangle$ where $a, b \in \mathbb{C}$ such that $|a|^2 + |b|^2 = 1$. If we measure the qubit $|\psi\rangle$ using the standard basis $\{|0\rangle, |1\rangle\}$ the probabilities of observing $|0\rangle$ and $|1\rangle$ are $|a|^2$ and $|b|^2$, respectively.

In the following, we will use the conventional notation $|a\rangle|b\rangle := |a\rangle \otimes |b\rangle$, or $|ab\rangle := |a\rangle \otimes |b\rangle$. A state on n qubits can be represented as a \mathbb{C} -linear combination of the vectors of the standard basis $|\psi\rangle = \sum_{x \in \mathbb{F}_2^n} a_x |x\rangle$, where $a_x \in \mathbb{C}$, for all $x \in \mathbb{F}_2^n$, and $\sum_{x \in \mathbb{F}_2^n} |a_x|^2 = 1$; the set of vectors $|x\rangle$ forms a basis for the n qubit states and is referred to as the computational basis. Let $|0_n\rangle$ be the quantum state associated with the zero vector in \mathbb{F}_2^n . The vectors $|+\rangle = \frac{|0\rangle+|1\rangle}{\sqrt{2}}$ and $|-\rangle = \frac{|0\rangle-|1\rangle}{\sqrt{2}}$ define the Hadamard basis for single qubit states.

Any Boolean function $F \in \mathfrak{B}_n$ can be implemented as a bit oracle implementation U_F , so that:

$$|x\rangle|\varepsilon\rangle \xrightarrow{U_F} |x\rangle|\varepsilon + F(x)\rangle. \quad (8)$$

Here, $x \in \mathbb{F}_2^n$ and $\varepsilon \in \mathbb{F}_2$. If the target qubit for U_F is $|-\rangle$, then

$$|x\rangle|-\rangle \xrightarrow{U_F} (-1)^{F(x)} |x\rangle|-\rangle.$$

This gives an alternative implementation of a Boolean function oracle known as the phase oracle implementation of the function F . The number of input qubits to a quantum oracle of Boolean function in \mathfrak{B}_n is $n + 1$, any internal ancillary qubits used are not required for the analysis of the algorithm and are not included in this count.

If the i^{th} input qubit acts as the control qubit and the target qubit is the same as the target of the oracle, the gate is represented by CZ^i . In the phase oracle representation, the target qubit is in the $|-\rangle$ state the action of CZ^i is as follows,

$$|x\rangle|-\rangle \xrightarrow{CZ^i} |x\rangle \left(\frac{|0\rangle - (-1)^{x_i} |1\rangle}{\sqrt{2}} \right). \quad (9)$$

This implies if the $x_i = 1$ the target qubit turns from $|-\rangle$ to $|+\rangle$.

Let $I = \begin{pmatrix} 1 & 0 \\ 0 & 1 \end{pmatrix}$ be the 2×2 identity matrix, and $H = \frac{1}{\sqrt{2}} \begin{pmatrix} 1 & 1 \\ 1 & -1 \end{pmatrix}$ be the 2×2 Hadamard matrix. The tensor product of matrices is denoted by \otimes . The matrix H_n is recursively defined as:

$$\begin{aligned} H_2 &= H \otimes H, \\ H_n &= H \otimes H_{n-1}, \text{ for all } n \geq 3. \end{aligned} \quad (10)$$

Note that, for $x \in \mathbb{F}_2^n$, $H_n |x\rangle = 2^{-\frac{n}{2}} \sum_{x' \in \mathbb{F}_2^n} (-1)^{x \cdot x'} |x'\rangle$.

5 Quantum algorithm to verify the strict avalanche criterion

The SAC can be verified for a function $F \in \mathfrak{B}_n$ through the following quantum algorithm, henceforth referred to as the QSAC algorithm. The initial state of the $n + 1$ qubits is $|0_n\rangle|0\rangle$. In the following expressions, the symbol “ \circ ” is used to represent matrix multiplication:

$$|0_n\rangle|0\rangle \xrightarrow{H_n \otimes (Z \circ H)} 2^{-n/2} \sum_{x \in \mathbb{F}_2^n} |x\rangle|-\rangle$$

$$\begin{aligned}
& \xrightarrow{U_F \otimes I} 2^{-n/2} \sum_{x \in \mathbb{F}_2^n} f(x) |x\rangle |-\rangle \\
& \xrightarrow{H_n \otimes I} 2^{-n} \sum_{x \in \mathbb{F}_2^n} f(x) \sum_{w \in \mathbb{F}_2^n} (-1)^{x \cdot w} |w\rangle |-\rangle \\
& \equiv 2^{-n} \sum_{w \in \mathbb{F}_2^n} \sum_{x \in \mathbb{F}_2^n} f(x) (-1)^{x \cdot w} |w\rangle |-\rangle = \sum_{w \in \mathbb{F}_2^n} \hat{f}(w) |w\rangle |-\rangle \quad (11) \\
& \xrightarrow{CZ^i} \sum_{w \in \mathbb{F}_2^n} \hat{f}(w) |w\rangle \left(\frac{|0\rangle - (-1)^{w_i} |1\rangle}{\sqrt{2}} \right) \\
& \equiv \sum_{w \in \mathbb{F}_2^n | w_i=1} \hat{f}(w) |w\rangle |+\rangle + \sum_{w \in \mathbb{F}_2^n | w_i=0} \hat{f}(w) |w\rangle |-\rangle \\
& \xrightarrow{I_n \otimes H} \sum_{w \in \mathbb{F}_2^n | w_i=1} \hat{f}(w) |w\rangle |0\rangle + \sum_{w \in \mathbb{F}_2^n | w_i=0} \hat{f}(w) |w\rangle |1\rangle.
\end{aligned}$$

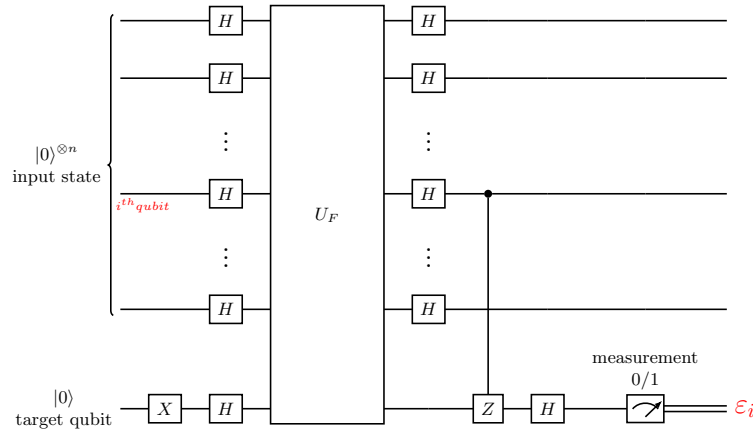


Fig. 1: Circuit diagram for a single iteration of the algorithm. The outcome, ε_i takes values 0 or 1. If the function satisfies SAC, the mean value of the outcome is 0.5.

The probability that the outcome of a standard measurement on the target qubit $|\varepsilon\rangle$ will yield $|0\rangle$ or $|1\rangle$ is given by:

$$\begin{aligned}
\Pr[\varepsilon = 0] &= \sum_{w \in \mathbb{F}_2^n | w_i=1} \hat{f}(w)^2, \\
\Pr[\varepsilon = 1] &= \sum_{w \in \mathbb{F}_2^n | w_i=0} \hat{f}(w)^2,
\end{aligned} \quad (12)$$

for a function satisfying SAC these two probabilities are $\frac{1}{2}$ and the expectation value $\langle \varepsilon \rangle$ is also $\frac{1}{2}$. it should be noted that the same algorithm must be iteratively repeated n times with a different gate

$$CZ^i \forall i \in [n],$$

and yield the same value for $\langle \varepsilon \rangle$ for the target qubit. The circuit representation of an iteration of the algorithm is given in Figure 1.

It can be seen that this algorithm is a quantum implementation of the expression in Equation 2. The quantity $\langle \varepsilon_i \rangle$ obtained from the i^{th} iteration of the quantum algorithm

is related to results from the iteration of the classical algorithm where $a_i = 1$ using Equation 5 and can be derived as follows:

$$\begin{aligned}
\check{f}(a) &= 2^n \left(\sum_{\substack{w \in \mathbb{F}_2^n \\ \text{wt}(a)=1 | a_i=1}} \widehat{f}(w)^2 (-1)^{w_i} \right) \\
&= 2^n (\Pr[\varepsilon_i = 0] - \Pr[\varepsilon_i = 1]) \\
&= 2^n (1 - 2 \langle \varepsilon_i \rangle) \\
\Rightarrow \epsilon_a &= 2^n (1 - 2 \langle \varepsilon_i \rangle)
\end{aligned} \tag{13}$$

The above relation can be used to compute the distance of f to a SAC function in a manner identical to Algorithm 1. Therefore the quantum algorithm to estimate the closeness of a given function to a SAC function is given as follows:

Algorithm 2 Quantum algorithm for estimating the closeness to a SAC function.

Input: Quantum computer with a minimum $n + 1$ qubits, Bit oracle implementation to the Boolean function f

- 1: Initial state: $|0_n\rangle |0\rangle$
- 2: Apply the transformations described in Equation 11/Figure 1
- 3: Repeat above steps multiple times and measure in order to estimate $\langle \varepsilon_i \rangle$.
- 4: Repeat for all values of i .
- 5: Evaluate the quantity

$$\epsilon = \sum_{i \in [n]} 2^{n-1} (1 - \langle \varepsilon_i \rangle)$$

- 6: Return ϵ as the estimated distance to a SAC function
-

6 Alternative quantum algorithms for verifying SAC

There are several quantum algorithms that can analyse different properties of Boolean functions. This section considers certain suitable candidate algorithms and modifies them to verify SAC. These algorithms are considered as alternate approaches to verifying SAC. It should be noted that none of the candidate algorithms considered in this section have been used to explicitly verify SAC in their respective source materials.

Additionally, only the quantum circuits corresponding to the algorithm are mentioned here. In all of the following cases, the estimated probability/expectation values can be converted to distance measures to a SAC function, but the proof for them is not explicitly given.

6.1 The direct approach

This algorithm utilizes the fact that $\Delta_c F(x)$ is balanced for all $c \in \mathbb{F}_2^n$ such that $\text{wt}(c) = 1$. This implies the Fourier coefficient of these derivatives at the point $w = 0_n$ is zero. The character form of the derivative $\Delta_c F(x)$ is given by $f'_c(x) = g_c(x)$, the Fourier coefficient can be represented as $\widehat{g}_c(w)$. Therefore, if f satisfies SAC, then $\widehat{g}_c(0_n) = 0 \forall c \in \mathbb{F}_2^n : \text{wt}(c) = 1$.

The direct algorithm is derived from the Deutsch-Jozsa [1] algorithm. If the quantum oracle U_f exists, then the oracle for any of the derivatives $U_{f'_c}$ can be constructed using two such oracles and any two X gates applied to the i^{th} qubit. The resultant state will not contain the vector $|0_n\rangle$ and therefore measurement of this resultant state will never yield the outcome 0_n . SAC can be verified by repeating this algorithm for each derivative $f'_c(x)$. The circuit diagram for a single iteration of this algorithm is given in Figure 2.

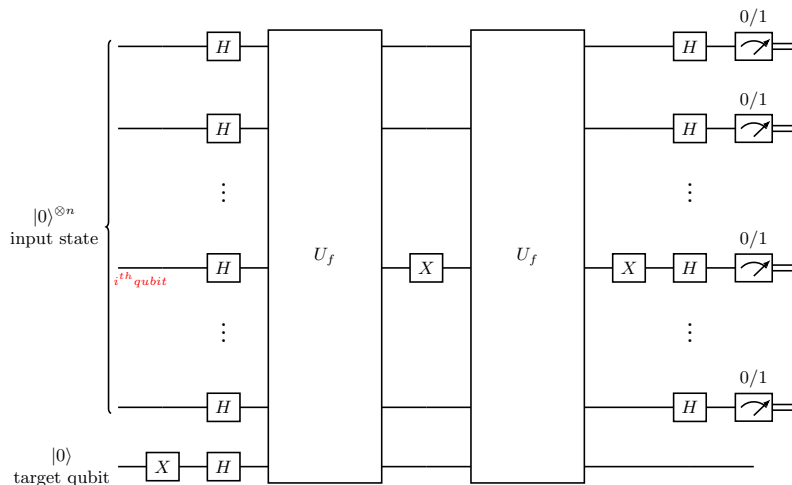


Fig. 2: An iteration of the direct algorithm. If $f(x)$ satisfies SAC, the measurement outcome will never be all 0's.

6.2 The autocorrelation algorithm

As shown in Equation 4, SAC can be defined explicitly in terms of $\check{f}(a)$, the autocorrelation coefficient. for a given Boolean function $F \in \mathfrak{B}_n$, there are 2^n autocorrelation coefficients. Verifying SAC however requires only the n coefficients corresponding to strings of weight 1. Bera et al. [2] deal with algorithms pertaining to the autocorrelation coefficients of Boolean functions. Two algorithms capable of verifying SAC can be derived from their work.

The first algorithm can be obtained by modifying the ‘‘Higher order Deutsch-Jozsa’’ algorithm $HoDJ_n^1$ (defined in Theorem 1 of [2]) so as to include only shifts corresponding to strings of weight 1. This would require the circuit corresponding to each of these strings is implemented iteratively for each string, similar to the QSAC algorithm. This algorithm turns out to be exactly identical to the direct algorithm previously explained.

The second algorithm can be obtained by modifying the autocorrelation estimator algorithm (Algorithm 2 in [2]). The quantum circuit for this algorithm is as shown in Figure 3. This circuit can be used to verify SAC by converting the register R_1 to a single qubit register and replacing the $CNOT$ gates shown here with $CNOT^i$ which is defined analogous to the CZ^i gate defined in Equation 9. If the function considered satisfies SAC, then the output qubit R_2 will be 0 and 1 with probability $\frac{1}{2}$. The algorithm contains n iterations of the circuit corresponding to the different $CNOT^i$ gates.

It should be noted that the autocorrelation algorithm has the same form of output as the QSAC algorithm. However, this algorithm requires over double the amount of qubits on

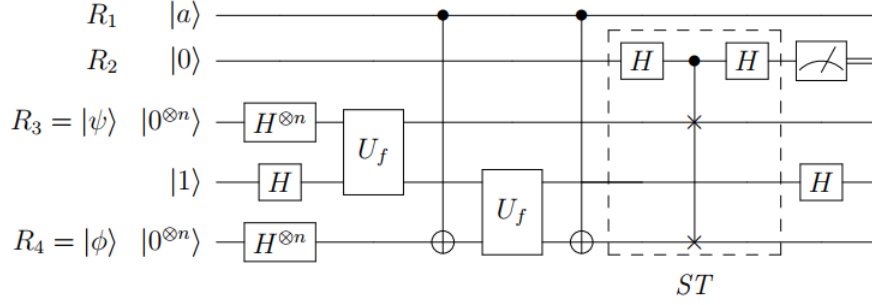


Fig. 3: The autocorrelation estimator algorithm due to Bera et al. The part of the circuit marked as “ST” stands for the Swap test. Figure source: [2]

its initial state. The swap test performed before the measurement requires n controlled-SWAP gates and each controlled-SWAP gate is implemented using three Toffoli gates and this introduces further complications in the implementation of the algorithm. These will be discussed during the complexity analysis of the algorithms.

6.3 The Forrelation algorithm

The Forrelation problem defined by Aaronson et al. [3] can be used to analyse a number of Boolean function properties. Aaronson et al. [3] also gave a quantum algorithm that evaluates the Forrelation between Boolean functions given their quantum oracles. The k -fold Forrelation (Φ) between k Boolean functions $f_1, f_2 \dots f_k$ is given by

$$\Phi_{f_1, f_2 \dots f_k} = \frac{1}{2^{(k+1)n/2}} \sum_{x_1, x_2 \dots x_k \in \mathbb{F}_2^n} f_1(x_1) (-1)^{x_1 \cdot x_2} f_2(x_2) \dots (-1)^{x_{k-1} \cdot x_k} f_k(x_k). \quad (14)$$

The quantum algorithm evaluating this quantity calls each of the Boolean function oracles once.

Datta et al. [7, Lemma 3] used the quantum algorithm for 3-fold Forrelation to verify the m -resilience of a general Boolean function $g(x)$. This algorithm evaluates 3-fold Forrelation $\Phi_{g, h, g}$ where $h(x)$ is a symmetric Boolean function such that $h(x) = 1 \forall x \in \mathbb{F}_2^n : wt(x) > m$. If $g(x)$ is m -resilient, the final state of the algorithm is always $|0_n\rangle$.

The balanced nature of $f'_c(x)$ also implies that it can be considered to be 0-resilient. This can be verified setting $g = f'_c$ and using the appropriate $h(x)$ which in this case is just the n variable NOR gate. The circuit diagram for an iteration of this algorithm is given in Figure 4.

SAC can therefore be verified by running the algorithm for each of the derivative function. It can be seen that the resultant measurement of the Forrelation based algorithm is the complement of the approach based on the Deutsch-Josza algorithm.

7 Complexity analysis of the algorithms

Since quantum algorithms yield probabilistic results, it also becomes necessary to sample the outcome of a particular algorithm several times to obtain the necessary statistics. Therefore the time complexity and the sampling complexity both become relevant.

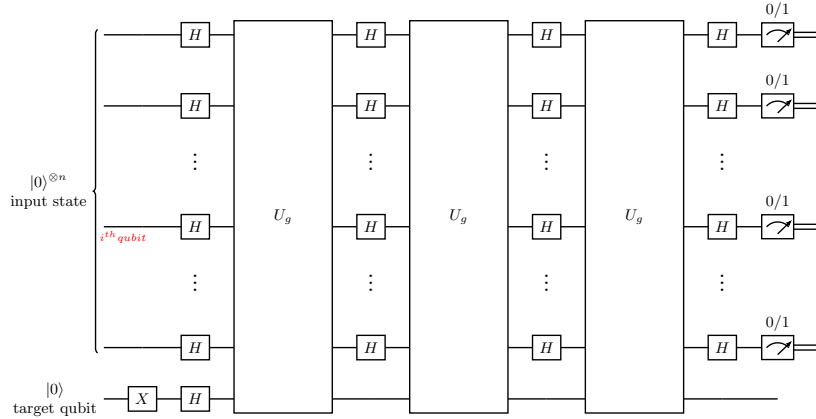


Fig. 4: The Forrelation algorithm, if $f(x)$ satisfies SAC, all measurements yield the result '0'. $g(z) = f'_c(x)$, and $h(x)$ is the quantum oracle for the n -input NOR gate.

In general, a quantum algorithm may contain one or more quantum circuits and these circuits are implemented several times to obtain statistical results. The quantum circuit can also contain pre-defined objects like oracles whose internal structure is not considered in the complexity analysis. The complexity analysis of quantum algorithms shall use the following definitions.

Definition 1 (Time Complexity) *The time complexity of a quantum algorithm concerns the time required to implement/execute quantum circuit corresponding to the algorithm is represented by a pair of numbers (m, k) . Here, m is the number of times pre-defined objects such as oracles are implemented (called) in the quantum circuit and k is the number of gate operations (outside of the oracles) used in the circuit.*

Definition 2 (Sampling Complexity) *The sample complexity is given by a single number q , which is the minimum number of times a particular quantum circuit needs to be implemented and measured (queried) in order to obtain the desired results. This number is typically written as a function of error/confidence bounds.*

In addition to this there is also the need to identify the minimum number of qubits that are required for the implementation of the quantum circuit. This measure is equivalent to the classical notion of space complexity of algorithms.

In case any of these values scale with the input size of the quantum algorithm, these numbers can be replaced by appropriate asymptotic forms. The time complexity can be directly calculated by inspecting the quantum algorithm. sample complexity on the other hand can be estimated using several methods. In the discussion presented here, the sample complexity is estimated using the Hoeffding's inequality.

Proposition 1 (Hoeffding's inequality) *Given a random variable X in the range $[a, b]$ and m independent samples of X given by X_1, X_2, \dots, X_m . The expectation value is given by $E[x] = \mu$ and the mean of the samples is given by*

$$\bar{X} = \frac{1}{m} \sum_{i=1}^m X_i$$

Hoeffding's inequality gives a bound on the value of \bar{X} as

$$\Pr\left[\bar{X} - t \leq \mu \leq \bar{X} + t\right] \geq 1 - 2 \exp\left(-\frac{2mt^2}{(b-a)}\right).$$

7.1 Complexity of the Classical algorithm

In the case of the classical algorithm, The distance (ϵ) estimation is done through the estimated values of the bias of the derivative functions $\tilde{\epsilon}_a$ and these quantities are the sample means of their respective sampling experiments, the accuracy of these estimates can be determined using the Hoeffding's inequality with $b = 2^n$ and $a = -2^n$. This can be expressed as follows:

$$\Pr[\tilde{\epsilon}_a - t \leq \epsilon_a \leq \tilde{\epsilon}_a + t] \geq 1 - 2 \exp\left(-\frac{2mt^2}{2^{n+1}}\right); t > 0 \text{ and } m \in \mathbb{Z}^+ \quad (15)$$

Therefore, for a confidence interval of δ that the sample mean is within an error margin of t to the actual mean, the number of samples m required is given by

$$m = \frac{2^n}{t^2} \log\left(\frac{2}{\delta}\right)$$

It can be seen that in the classical algorithm, for each sample value the Boolean function oracle is called twice, therefore the query complexity is $2n$.

7.2 Complexity of the QSAC algorithm

Using definition 1, the time complexity for a single iteration of the QSAC algorithm is given by $(1, 2n+4)$. This shows that the number of additional gates required per iteration is $\mathcal{O}(n)$.

Let $|\varepsilon^{(i)}\rangle \forall i \in \mathbb{Z}^+ : 1 \leq i \leq n$ denote the state of the target qubit after the i^{th} iteration. Therefore, the probability distribution of the associated random variable $\varepsilon^{(i)}$ is the same as given in (12). We prove the following theorem.

Theorem 2. *Let the probability $\Pr[\varepsilon^{(i)} = 1] = p_i$, and the result of performing m trials of the algorithm (11) are represented by the random variables $\varepsilon_k^{(i)}$, for all $k \in \mathbb{Z}^+, 1 \leq k \leq m$. Consider the sample mean given by:*

$$X^i = \frac{1}{m} \sum_{k=1}^m \varepsilon_k^{(i)}. \quad (16)$$

Then for a given margin of error $t > 0$ we have

$$\Pr[X^i - t \leq p_i \leq X^i + t] \geq 1 - 2 \exp(-2mt^2).$$

Proof. Since $\varepsilon^{(i)}$ is 0/1 random variable, the expectation value of this variable is equal to the probability $\Pr[\varepsilon^{(i)} = 1] = p_i$. The probability inequality given in the theorem is due to the Hoeffding's inequality [8]. \square

The number of trials (m), required for each iteration in order to estimate p_i is determined by the degree of uncertainty $\delta : \delta \in [0, 1]$ and the margin of error t . We have

$$\Pr[X^i - t \leq p_i \leq X^i + t] \equiv 1 - \delta \geq 1 - 2 \exp(-2mt^2),$$

which renders $m = \frac{1}{2t^2} \ln\left(\frac{2}{\delta}\right)$, this is the sample complexity of the QSAC algorithm. It can be seen that the sample complexity does not scale with the input size of the algorithm. This implies that the execution time of one iteration of the algorithm is $\mathcal{O}(n)$ therefore the complete algorithm (n iterations) can be said to have a complexity of $\mathcal{O}(n^2)$.

7.3 Comparison with the alternatives

Using the same analysis as above, the time complexity of an instance of the direct algorithm evaluates to $(2, 2n + 4)$. Similarly the time complexity of the Forrelation algorithm is $(5, 4n + 6)$, there are 5 oracle calls because each call to the derivative of the Boolean function requires two calls to the function's own oracle U_f .

While evaluating the sample complexity using Hoeffding's inequality, it should be remembered that since n -qubit measurements are required at the end of these algorithms, the value of $(b - a)$ from Proposition 1 is $2^n - 1$. This implies the sample complexity for these algorithms is:

$$q = \frac{2^n - 1}{2t^2} \ln\left(\frac{2}{\delta}\right) = \mathcal{O}\left(\frac{2^n}{2t^2} \log\left(\frac{2}{\delta}\right)\right)$$

The sample complexity in this case scales with exponentially with the input size of the algorithm. This is the primary drawback of these two alternatives when compared against the QSAC algorithm. The exponential scaling of the sample complexity is present in any algorithm that requires n -qubit measurements for obtaining results.

Another important parameter to consider while comparing quantum algorithms is the number of qubits required for implementation of the circuit. This number has a practical relevance to the scalability of a given algorithm. This number is the minimum required qubits because the Boolean function oracles for functions of degree greater than 3 require additional qubits for their implementation. It should be noted that the minimum number of qubits required for the QSAC, direct and Forrelation algorithms is $n + 1$.

The autocorrelation algorithm on the other hand requires $2n + 3$ qubits. This implies running the autocorrelation algorithm requires a quantum computer with twice as many qubits as required for implementing any other variant. The time complexity of the autocorrelation algorithm is $(2, 5n + 6)$. The sample complexity however is identical to the QSAC algorithm and doesn't scale with the input size of the function.

The various complexity parameters all the algorithms discussed so far summarized in Table 1.

It can be seen that the QSAC algorithm has the best values for each of these figures of merit when compared against the other quantum algorithms presented here. It also has an exponential improvement in terms of the sampling complexity over the classical algorithm. This speed up is a result of quantum parallelism that allows one to simultaneously query a Boolean function over all input values. Additionally, all relevant spectral information of the Boolean function was transferred to a single qubit measurement by taking advantage of quantum entanglement.

Also, these comparisons presented are only with reference to the SAC problem. The theoretical versatility of the Forrelation based algorithms and the autocorrelation algorithm is apparent.

Table 1: Table comparing the complexity values and qubit requirements between the different approaches

Algorithm variant	Query Complexity	Sample complexity (q)	Qubits
Classical	$2n$	$\frac{2^n}{t^2} \log\left(\frac{2}{\delta}\right)$	–
QSAC	n	$\frac{1}{2t^2} \log\left(\frac{2}{\delta}\right)$	$n + 1$
Direct [1]	$2n$	$\frac{2^n - 1}{2t^2} \log\left(\frac{2}{\delta}\right)$	$n + 1$
Forrelation [7]	$5n$	$\frac{2^n - 1}{2t^2} \log\left(\frac{2}{\delta}\right)$	$n + 1$
Autocorrelation [2]	$2n$	$\frac{1}{2t^2} \log\left(\frac{2}{\delta}\right)$	$2n + 3$

8 Conclusion

The QSAC algorithm presented here is capable of verifying SAC in Boolean functions. The algorithm contains n iterations, each of which uses $\mathcal{O}(n)$ gates in addition to a single call to the Boolean function oracle. The sample complexity of the algorithm is $\mathcal{O}\left(\frac{1}{2t^2} \log\left(\frac{2}{\delta}\right)\right)$ which is dependent only on the error and confidence and error bounds. From a practical standpoint, The QSAC algorithm is also the least susceptible to gate error and most capable of being adapted in to an quantum error correction framework. All of these features are a consequence of the lightweight nature of the algorithm. This however comes at a cost of versatility. Unlike the autocorrelation and forrelation based algorithms, the QSAC is designed with the sole purpose of addressing the SAC problem alone.

The complexity analysis considered here are problem independent. It can therefore be said that a lightweight quantum algorithm that solves a problem with the minimum possible number of gates, oracle calls and final measurements is likely to have properties similar to the QSAC algorithm and such algorithms are more beneficial when one considers the actual implementation on a quantum processor.

The analysis presented here has also resulted in the identification of figures of merits that can be used to compare quantum algorithms with each other.

Acknowledgement: Research of C. A. Jothishwaran, Vishvendra Singh Poonia, and Sugata Gangopadhyay is a part of the project “Design and Development of Quantum Computing Toolkit and Capacity Building” sponsored by the Ministry of Electronics and Information Technology (MeitY) of the Government of India.

References

1. Deutsch, D., Jozsa R.: Rapid solution of problems by quantum computation, Proc. R. Soc. Lond. A439553–558 (1992) <http://doi.org/10.1098/rspa.1992.0167>
2. Bera, D., Maitra, S., Tharmashastha, S.: Efficient quantum algorithms related to autocorrelation spectrum. In: Hao, F., Ruj, S., Gupta, S.S. (eds.) Progress in Cryptology - INDOCRYPT 2019 - 20th International Conference on Cryptology in India, Hyderabad, India, December 15-18, 2019, LNCS 11898, pp. 415–432. Springer (2019), https://doi.org/10.1007/978-3-030-35423-7_21.
3. Aaronson, S., Ambainis, A. : Forrelation: A Problem that Optimally Separates Quantum from Classical Computing, Siam J. Comput., vol. 47, no.3, pp. 982–1038, 2018. In Proceedings of the forty-seventh annual ACM symposium on Theory of Computing (STOC '15). Association for Computing Machinery, New York, NY, USA, pp. 307–316. DOI: <https://doi.org/10.1145/2746539.2746547>, 2015.

4. Budaghyan, L.: Construction and Analysis of Cryptographic Functions, Springer-Verlag, 2014.
5. C. Carlet, *Boolean Functions for Cryptography and Coding Theory*. Cambridge: Cambridge University Press, Cambridge, 2021.
6. Cusick, T., Stănică, P.: Cryptographic Boolean Functions and Applications, 2nd Edition, Elsevier (2017).
7. Datta, S., Maitra, S., Mukherjee, C.S. : Following Forrelation – Quantum Algorithms in Exploring Boolean Functions’ Spectra, <https://arxiv.org/abs/2104.12212>.
8. Hoeffding, W.: Probability inequalities for sums of bounded random variables, J. American Statistical Association 58 (1963), 13–30.
9. Nielsen M., Chuang I.: Quantum Computation and Quantum Information (10th ed.), Cambridge: Cambridge University Press, 2011.
10. Rieffel, E., Polak, W.: Quantum Computing: A Gentle Introduction, The MIT Press, 1st ed. (2011).