

# Any consistent coupling between classical gravity and quantum matter is fundamentally irreversible

Thomas D. Galley<sup>§,1,\*</sup> Flaminia Giacomini<sup>§,2,†</sup> and John H. Selby<sup>§3,‡</sup>

<sup>1</sup>*Institute for Quantum Optics and Quantum Information,*

*Austrian Academy of Sciences, Boltzmannngasse 3, 1090 Vienna, Austria*

<sup>2</sup>*Institute for Theoretical Physics, ETH Zürich, 8093 Zürich, Switzerland*

<sup>3</sup>*ICTQT, University of Gdańsk, Wita Stwosza 63, 80-308 Gdańsk, Poland*

When gravity is sourced by a quantum system, there is tension between its role as the mediator of a fundamental interaction, which is expected to acquire nonclassical features, and its role in determining the properties of spacetime, which is inherently classical. Fundamentally, this tension should result in breaking one of the fundamental principles of quantum theory or general relativity, but it is usually hard to assess which one without resorting to a specific model. Here, we answer this question in a theory-independent way using General Probabilistic Theories (GPTs). We consider the interactions of the gravitational field with a single matter system, and derive a no-go theorem showing that when gravity is classical at least one of the following assumptions needs to be violated: (i) Matter degrees of freedom are described by fully non-classical degrees of freedom; (ii) Interactions between matter degrees of freedom and the gravitational field are reversible; (iii) Matter degrees of freedom back-react on the gravitational field. We argue that this implies that theories of classical gravity and quantum matter must be fundamentally irreversible, as is the case in the recent model of Oppenheim et al. Conversely if we require that the interaction between quantum matter and the gravitational field are reversible, then the gravitational field must be non-classical.

## I. INTRODUCTION

The gravitational field plays two roles. On the one hand, gravity is a fundamental interaction coupled to quantum matter, and as such it is natural to look for its quantum description. On the other hand, the gravitational field characterises the structure of spacetime, which is a classical concept coming from general relativity. Reconciling these two roles when the source of gravity is quantum is one of the most profound conceptual challenges in finding a unified theory of gravity and matter.

Recently, the possibility of testing the gravitational field of a quantum source has attracted a lot of attention [1–30]. No experiment using the technology currently available can test this scenario now [31], but these tests are expected to be feasible in the next decade, and would bring a major advancement to our understanding of gravity in regimes so far fully unexplored. On the theoretical side, the precise implications of

these experiments are still debated [24]. From a fundamental point of view, however, this regime gives us the opportunity to test the fundamental principles of both quantum theory and general relativity together in a single scenario. Hence, it is crucial now to assess what the logical implications of combining the two theories in this regime are.

Here, we set to this task, and we ask whether we need to give up any of the fundamental principles of our theories. To achieve this goal, we use a theory-independent approach, analogous to Bell’s theorem [32], via the framework of General Probabilistic Theories (GPTs) [33, 34] in contrast to earlier work which tends to consider specific, theory-dependent, models of interactions between matter and gravity such as the Schrödinger-Newton equation (App. A) and Mielnik’s generalized quantum theory (App. B). In this approach, we prove a no-go theorem, in the spirit of our recent work of Ref. [19], that states that, if we want to keep a classical description of gravity and we allow quantum matter to source the gravitational field, then it is impossible to preserve the principle of reversibility of fundamental interactions. In

\* thomas.galley@oeaw.ac.at

† fgiacomini@phys.ethz.ch

‡ john.h.selby@gmail.com

§ All authors contributed equally to this work.

general, our theorem shows under which conditions non-classical (including quantum) and classical degrees of freedom can couple in a consistent way. This is more general than previous work which was restricted to studying classical-quantum coupling [35, 36].

We formally state the no-go theorem after introducing the relevant preliminaries of the theory independent framework which we work in. Informally however, the no-go theorem states that if the gravitational field is classical, then a physical system coupled to it cannot at once (i) satisfy the superposition principle, (ii) interact reversibly with the gravitational field, and (iii) back react on the gravitational field. As these three are all well motivated by fundamental physics, this serves as an argument for the non-classicality of the gravitational field.

If one nonetheless wants to hold to classical gravity, then this allows us to see that the only consistent ways to couple a quantum system with a classical system such that there is back-reaction from the quantum to the classical system are to either a) have an irreversible interaction as in Refs. [37–39] or b) have a fundamentally superselected quantum system with only the classical “which sector” degrees of freedom interacting with the classical system.

In the GPT literature similar theorems have been proved to study measurement theory [40]. In this case the classical system is a measuring device and the system being measured is non-classical. Since a required feature of a measurement interaction is that the state of the measuring device after the interaction is a function of the state of the system there must be back-reaction. Thus measurement of non-classical systems must be irreversible (i.e. involve disturbance in the language of [40]).

## II. GENERAL PROBABILISTIC THEORIES: A THEORY INDEPENDENT FRAMEWORK

A generalised probabilistic theory is a mathematical object which precisely captures the operationally relevant content of a physical theory [41] for scenarios involving single agents and a

fixed causal structure. That is, it captures only the information in the physical theory which is necessary and sufficient for making predictions about the outcomes of any such experiments that can be performed within the theory. A given physical theory may of course do more than this, it may also describe ontological or interpretational aspects. For example, a physical theory could be Bohmian mechanics [42] or Many-Worlds quantum theory [43], but both would be associated to the same generalised probabilistic theory, namely, the standard formalism of quantum information theory. It is therefore natural to assume that, whatever the underlying theory of nature actually is, that it will have a GPT associated to it<sup>§</sup>. Therefore, any results that can be proven in this bare-bones operational framework automatically apply to any physical theory even if they are not themselves expressed in the language of GPTs.

More concretely, a GPT describes a set of preparations, transformations and measurements and encodes the probabilities of obtaining measurement outcomes given a circuit of preparations, transformations and measurements. These probabilities may be given by classical or quantum theory, or some different theory. In this section we do not provide a full introduction to GPTs but rather refer the reader to the works [46–48]. Here, we introduce the notation and important definitions required for the main theorem.

In the following we denote by  $\Omega$  the set of states of a GPT system  $\mathcal{S}$ ,  $\mathcal{E}$  the set of effects and  $\mathcal{T}$  the set of transformations. If  $V$  is the real vector space associated to  $\mathcal{S}$  then  $\Omega \subset V^{\S}$ ,  $\mathcal{E} \subset V^*$  and any  $t \in \mathcal{T}$  induces a linear transformation on  $V$ . In a given GPT two systems  $\mathcal{S}_1$  and  $\mathcal{S}_2$  with associated vector spaces  $V_1$  and  $V_2$  compose

---

<sup>§</sup> It is, however, often highly nontrivial to determine which GPT is associated to a given physical theory and there are often surprising results. For example, the GPT associated to quantum theory with a non-linear modification of the Schrödinger equation is actually a classical GPT [44], as the non-linearity allows for perfect distinguishability of all pure states. For some relevant models, such as the Reginatto-Hall model [45] the GPT description is not known, and as such our results do not immediately apply.

<sup>§</sup> Where the symbol  $\subset$  means “is a convex subset of”.

to a third system  $S_3$  with associated vector space  $V_3$  via a bilinear map  $\otimes : V_1, V_2 \mapsto V_3$ . When the theory is locally tomographic [33] (such as is the case for quantum and classical theory)  $\otimes$  is the standard tensor product.

**Definition 1** (Reversible interaction). A reversible interaction between two GPT systems  $S_1$  and  $S_2$  with respective state spaces  $\Omega_1$  and  $\Omega_2$  is a linear map  $\mathcal{I} : \Omega_1 \otimes \Omega_2 \mapsto \Omega_1 \otimes \Omega_2$  where there exists an inverse map  $\mathcal{I}^{-1} : \Omega_1 \otimes \Omega_2 \mapsto \Omega_1 \otimes \Omega_2$  such that  $\mathcal{I}^{-1} \circ \mathcal{I} = \mathbb{I}_{\Omega_1 \otimes \Omega_2}$ .

**Definition 2** (Information flow). Given an interaction  $\mathcal{I}$  between two GPT systems  $S_1$  and  $S_2$  with input states  $s_1$  and  $s_2$  there is information flow from  $S_1$  to  $S_2$  if a change in state of system  $S_1$  before the interaction can lead to a change of the state of system  $S_2$  after the interaction.

If we denote the choices of state preparation by the classical variables  $s_1$  and  $s_2$  and denote the outcomes of possible measurements after the interaction by the variables  $e_1$  and  $e_2$  this is equivalent to saying there is signalling from 1 to 2, that is,  $p(e_2|s_1, s_2, \mathcal{I})$  depends non-trivially on  $s_1$ .

**Definition 3** (Finite dimensional classical system). A classical system of dimension  $n$  has a state space given by an  $n$ -vertex simplex  $\Delta_n$  with associated vector space  $V \cong \mathbb{R}^{n+1}$ . Effects belong to the hypercube of  $[0, 1]$ -valued linear functionals in  $V^* \cong \mathbb{R}^{n+1}$  and transformations are given by stochastic linear maps. Classical systems compose with all other systems (both classical and non-classical) via the tensor product.

**Definition 4** (Reducible GPT system). A GPT system  $S$ , with associated vector space  $V$ , is reducible if and only if there is a decomposition  $V \cong \bigoplus_i V_i$  such that all states are convex combinations of states having support in a single block. That is, such that the state space  $\Omega \cong \bigoplus_i \Omega_i$  where  $\Omega_i$  is a convex set in  $V_i$ .

A reducible GPT system is one that has a classical degree of freedom, and, hence, is at least partly classical. For example, the finite dimensional classical systems described above can be

written as  $\Delta_n = \underbrace{\Delta_1 \oplus \dots \oplus \Delta_1}_n$  and, more generally, if we have a reducible system of the form  $\underbrace{\Omega \oplus \dots \oplus \Omega}_n$  then this is nothing but  $\Omega \otimes \Delta_n$ , that

is, it factorises as a classical system,  $\Delta_n$  and another system  $\Omega$ . Finally, any reducible system  $\bigoplus_{i=1}^n \Omega_i$  can be thought of as a probabilistic mixture of the systems  $\Omega_i$ , where there is some label  $i$  telling us which system we have. This label cannot be prepared in ‘superpositions’ and so is best thought of as a classical degree of freedom. In the case of quantum theory, reducible systems are those that have a non-trivial superselection rule, and the classical label tells us which superselection sector the state has been prepared in. This motivates the following definition:

**Definition 5** (Fully nonclassical systems). A fully nonclassical GPT system  $S$  is one that is irreducible.

Irreducible systems can be characterised by the fact that their identity transformations cannot be viewed as a coarse graining of other transformations, or, equivalently [49], that there do not exist any non-disturbing measurements for the system. See also [40, Section 5.1] for more discussion of reducible GPT systems.

### III. RESULTS

Our main technical result is the following no-go theorem, which follows directly from Thm. C.1 proven in App. C.

**Theorem III.1.** Given two GPT systems  $S$  and  $G$  which interact via some interaction  $\mathcal{I}$  then at least one of the following conditions must be violated:

- (i) The system  $S$  is fully non-classical (Def. 5)
- (ii) The interaction  $\mathcal{I}$  is reversible (Def. 1)
- (iii) There is information flow from system  $S$  to system  $G$  (Def. 2)
- (iv)  $G$  is classical (Def. 3)

Furthermore Thm. C.1 shows that if  $S$  is reducible and  $G$  is classical, it is only the classical (i.e., the which-sector) information which can flow from  $S$  to a  $G$  via a reversible interaction  $\mathcal{I}$ .

We can intuitively understand this theorem in the case of quantum theory by appealing to an example from Ref. [36]. Consider a classical harmonic oscillator (system  $G$ ) interacting with a quantum spin system (system  $S$ ) via the interaction Hamiltonian  $H_I = \kappa \hat{\sigma}_3 p$ . The  $x$  coordinate cannot satisfy  $\delta_t x = \delta p H_I = p + \kappa \hat{\sigma}_3$  since  $\sigma_3$  is a matrix. Hence we might use the expectation value of  $\sigma_3$  instead. This is then an interaction which is reversible and admits back-reaction, hence obeys conditions (ii) and (iii). However, this interaction

*“implies that quantum expectations can be deduced with arbitrary precision from the measurement of the classical variables  $x$  and  $p$ .”* [36].

This means that either the classical system must inherit some of the quantum uncertainty (and no longer be classical) in order to prevent violation of the uncertainty principle of the quantum system or that the quantum system no longer satisfies the uncertainty principle, and so has inherited classical properties. In other words either condition (iv) is violated since  $G$  has become non-classical, or condition (i) is violated, since  $S$  has become classical.

#### A. An argument for non-classicality of the gravitational field

The conclusion from the previous example holds much more generally thanks to our theorem, which does not assume any specific description of  $S$  and  $G$  nor a specific Hamiltonian governing the interaction  $\mathcal{I}$ . In particular, let us now consider an application of Thm. III.1 to a particular scenario, which provides an argument for the quantization (or at least non-classicality) of the gravitational field.

1. Take  $S$  to be the position degree of freedom of some massive quantum particle, e.g., an electron. According to our understanding of quantum theory, it is possible to prepare the particle in a superposition of positions. Hence, this degree of freedom does not have a fundamental superselection rule. In the language of GPTs, this

means that  $S$  is fully nonclassical, and so satisfies condition (i).

2. Take  $G$  to represent the gravitational field, which, for the sake of contradiction, we presume to be a classical system, hence satisfying condition (iv).
3. In classical gravity, matter back-reacts onto the gravitational field via Einstein’s field equations. If the source of gravity is not classical, it is reasonable to assume that there should be some sort of back-reaction too. That is, variations in the position of the particle  $S$  will lead to variations in the state of the gravitational field  $G$ , hence there is information flow from  $S$  to  $G$  and condition (iii) is satisfied.
4. Finally, we take this to be governed by a reversible interaction  $\mathcal{I}$ , as all of our best fundamental microscopic theories (e.g., quantum field theory or statistical mechanics) are underpinned by reversible dynamics. Hence, condition (ii) is satisfied.

Thm. III.1, however, shows that this leads to a contradiction, and so it seems most plausible to reject the unmotivated assumption introduced in step 2. We conclude that:

#### The gravitational field is non-classical.

Let us emphasise that the proof of the theorem only requires us to consider interactions between a classical system and a non-classical system – in particular, we do not need any assumption on the properties of a nonclassical theory of gravity (e.g., Hilbert space factorisation, interactions, etc.).

#### B. What if the field is classical nonetheless?

If one wants to hold on to classical gravity despite the above argument, then, of course, one of the other three conditions may be rejected instead. Let us now explore the consequences of classical gravity by seeing what the rejection of each condition entails.

*Condition (i).* Rejecting this condition would mean that any matter degrees of freedom which

have a back-action on the gravitational field are modelled by reducible systems, for instance superselected quantum systems or classical systems. Since massive quantum particles are irreducible systems, this requires us to reject quantum theory as describing any matter degrees of freedom which back-react on the gravitational field. Essentially, rejecting condition (i) means rejecting quantum theory and the superposition principle. This is the case, e.g., of the Schrödinger-Newton equation, discussed in Appendix A.

*Condition (ii).* Rejecting this condition leads to the introduction of some sort of stochasticity, as in Refs. [37, 38, 50]. For instance, in [37, 38] a model of quantum matter coupled to classical gravity is proposed. The interaction leads to linear dynamics in the density matrix, unlike proposals such as the Schrödinger-Newton equation for instance, meaning that the matter degrees of freedom are fully described by quantum theory and therefore non-classical. The evolution is stochastic and is equivalent to an open quantum system description for the matter degrees of freedom. There is back-reaction of the matter degrees of freedom on the gravitational field. As such this proposal violates condition (ii), whilst meeting conditions (i) and (iii).

*Condition (iii).* The case where there is no back-reaction from matter onto the gravitational field may emerge as a good approximation in certain situations. However, while condition (iii) can be violated in certain approximations it would be in contradiction with basic features of general relativity if it were always the case that matter

did not back-react with the gravitational field.

### Summary

If gravity is classical, at least one of the conditions (i)-(iii) has to fail. In summary, this implies the following.

Fail Condition (i)	Reject quantum theory
Fail Condition (ii)	Reject reversibility
Fail Condition (iii)	Reject general relativity

Hence, a theory in which classical general relativity holds and matter is quantum necessarily needs to break the principle of reversibility. This means that the main feature of the model of [37, 38] which one could object to, namely stochasticity of the dynamics, is in fact inevitable for any model which seeks to combine quantum matter with classical general relativity.

### ACKNOWLEDGMENTS

The authors would like to thank Barbara Šoda for helpful feedback on the manuscript. T.D.G acknowledges support from the Austrian Science Fund (FWF), project P 33730-N. F.G. acknowledges support from the Swiss National Science Foundation via the Ambizione Grant PZ00P2-208885. J.H.S. was supported by the Foundation for Polish Science through IRAP project co-financed by EU within Smart Growth Operational Programme (contract no. 2018/MAB/5).

- 
- [1] M. Bahrani, A. Bassi, S. McMillen, M. Paternostro, and H. Ulbricht, “Is gravity quantum?,” *arXiv preprint arXiv:1507.05733*, 2015.
  - [2] C. Anastopoulos and B.-L. Hu, “Probing a gravitational cat state,” *Class. Quant. Grav.*, vol. 32, no. 16, p. 165022, 2015.
  - [3] S. Bose, A. Mazumdar, G. W. Morley, H. Ulbricht, M. Toroš, M. Paternostro, A. A. Geraci, P. F. Barker, M. Kim, and G. Milburn, “Spin entanglement witness for quantum gravity,” *Phys. Rev. Lett.*, vol. 119, no. 24, p. 240401, 2017.
  - [4] C. Marletto and V. Vedral, “Gravitationally induced entanglement between two massive particles is sufficient evidence of quantum effects in gravity,” *Phys. Rev. Lett.*, vol. 119, no. 24, p. 240402, 2017.
  - [5] C. Marletto and V. Vedral, “Why we need to quantise everything, including gravity,” *npj Quantum Information*, vol. 3, no. 1, pp. 1–5, 2017.
  - [6] M. Carlesso, M. Paternostro, H. Ulbricht, and A. Bassi, “When Cavendish meets Feyn-



- man: A quantum torsion balance for testing the quantumness of gravity,” *arXiv preprint arXiv:1710.08695*, 2017.
- [7] M. J. Hall and M. Reginatto, “On two recent proposals for witnessing nonclassical gravity,” *J. Phys. A*, vol. 51, no. 8, p. 085303, 2018.
- [8] C. Anastopoulos and B.-L. Hu, “Comment on “a spin entanglement witness for quantum gravity” and on “gravitationally induced entanglement between two massive particles is sufficient evidence of quantum effects in gravity,”” *arXiv preprint arXiv:1804.11315*, 2018.
- [9] C. Marletto and V. Vedral, “When can gravity path-entangle two spatially superposed masses?,” *Phys. Rev. D*, vol. 98, no. 4, p. 046001, 2018.
- [10] A. Belenchia, R. M. Wald, F. Giacomini, E. Castro-Ruiz, Č. Brukner, and M. Aspelmeyer, “Quantum superposition of massive objects and the quantization of gravity,” *Phys. Rev. D*, vol. 98, no. 12, p. 126009, 2018.
- [11] A. Belenchia, R. M. Wald, F. Giacomini, E. Castro-Ruiz, Č. Brukner, and M. Aspelmeyer, “Information content of the gravitational field of a quantum superposition,” *Int. J. Mod. Phys. D*, vol. 28, no. 14, p. 1943001, 2019.
- [12] M. Christodoulou and C. Rovelli, “On the possibility of laboratory evidence for quantum superposition of geometries,” *Phys. Lett. B*, vol. 792, pp. 64–68, 2019.
- [13] C. Anastopoulos and B.-L. Hu, “Quantum superposition of two gravitational cat states,” *Class. Quant. Grav.*, vol. 37, no. 23, p. 235012, 2020.
- [14] R. Howl, V. Vedral, D. Naik, M. Christodoulou, C. Rovelli, and A. Iyer, “Non-gaussianity as a signature of a quantum theory of gravity,” *PRX Quantum*, vol. 2, no. 1, p. 010325, 2021.
- [15] R. J. Marshman, A. Mazumdar, and S. Bose, “Locality and entanglement in table-top testing of the quantum nature of linearized gravity,” *Phys. Rev. A*, vol. 101, no. 5, p. 052110, 2020.
- [16] H. Chevalier, A. J. Paige, and M. S. Kim, “Witnessing the nonclassical nature of gravity in the presence of unknown interactions,” *Phys. Rev. A*, vol. 102, no. 2, p. 022428, 2020.
- [17] T. Krisnanda, G. Y. Tham, M. Paternostro, and T. Paterek, “Observable quantum entanglement due to gravity,” *npj Quantum Information*, vol. 6, no. 1, pp. 1–6, 2020.
- [18] C. Marletto and V. Vedral, “Witnessing non-classicality beyond quantum theory,” *Phys. Rev. D*, vol. 102, no. 8, p. 086012, 2020.
- [19] T. D. Galley, F. Giacomini, and J. H. Selby, “A no-go theorem on the nature of the gravitational field beyond quantum theory,” *Quantum*, vol. 6, p. 779, 2022.
- [20] S. Pal, P. Batra, T. Krisnanda, T. Paterek, and T. Mahesh, “Experimental localisation of quantum entanglement through monitored classical mediator,” *Quantum*, vol. 5, p. 478, 2021.
- [21] D. Carney, H. Müller, and J. M. Taylor, “Using an Atom Interferometer to Infer Gravitational Entanglement Generation,” *PRX Quantum*, vol. 2, no. 3, p. 030330, 2021.
- [22] D. L. Danielson, G. Satishchandran, and R. M. Wald, “Gravitationally mediated entanglement: Newtonian field versus gravitons,” *Phys. Rev. D*, vol. 105, no. 8, p. 086001, 2022.
- [23] A. Kent and D. Pitalúa-García, “Testing the nonclassicality of spacetime: What can we learn from Bell–Bose et al.–Marletto–Vedral experiments?,” *Phys. Rev. D*, vol. 104, no. 12, p. 126030, 2021.
- [24] M. Christodoulou, A. Di Biagio, M. Aspelmeyer, Č. Brukner, C. Rovelli, and R. Howl, “Locally mediated entanglement through gravity from first principles,” *arXiv preprint arXiv:2202.03368*, 2022.
- [25] N. Huggett, N. Linnemann, and M. Schneider, “Quantum Gravity in a Laboratory?,” *arXiv preprint arXiv:2205.09013*, 2022.
- [26] M. Christodoulou, A. Di Biagio, R. Howl, and C. Rovelli, “Gravity entanglement, quantum reference systems, degrees of freedom,” *arXiv preprint arXiv:2207.03138*, 2022.
- [27] D. L. Danielson, G. Satishchandran, and R. M. Wald, “Black Holes Decohere Quantum Superpositions,” *arXiv preprint arXiv:2205.06279*, 2022.
- [28] L.-Q. Chen, F. Giacomini, and C. Rovelli, “Quantum States of Fields for Quantum Split Sources,” *arXiv preprint arXiv:2207.10592*, 2022.
- [29] E. Martín-Martínez and T. R. Perche, “What gravity mediated entanglement can really tell us about quantum gravity,” *arXiv preprint arXiv:2208.09489*, 2022.
- [30] C. Overstreet, J. Curti, M. Kim, P. Asenbaum, M. A. Kasevich, and F. Giacomini, “Inference of gravitational field superposition from quantum measurements,” *arXiv preprint arXiv:2209.02214*, 2022.
- [31] M. Aspelmeyer, “When Zeh Meets Feynman: How to Avoid the Appearance of a Classical World in Gravity Experiments,” *Fundam. Theor. Phys.*, vol. 204, pp. 85–95, 2022.
- [32] J. S. Bell, “On the einstein podolsky rosen paradox,” *Physics Physique Fizika*, vol. 1, no. 3, p. 195, 1964.

- [33] L. Hardy, “Quantum theory from five reasonable axioms,” *arXiv preprint quant-ph/0101012*, 2001.
- [34] J. Barrett, “Information processing in generalized probabilistic theories,” *Physical Review A*, vol. 75, no. 3, p. 032304, 2007.
- [35] L. Diosi and J. J. Halliwell, “Coupling Classical and Quantum Variables using Continuous Quantum Measurement Theory,” *Physical Review Letters*, vol. 81, pp. 2846–2849, Oct. 1998.
- [36] L. Diosi, N. Gisin, and W. T. Strunz, “Royal Road to Coupling Classical and Quantum Dynamics,” *Physical Review A*, vol. 61, p. 022108, Jan. 2000. arXiv: quant-ph/9902069.
- [37] J. Oppenheim, “A post-quantum theory of classical gravity?,” *arXiv preprint arXiv:1811.03116*, 2018.
- [38] J. Oppenheim, C. Sparaciari, B. Šoda, and Z. Weller-Davies, “Gravitationally induced decoherence vs space-time diffusion: testing the quantum nature of gravity,” *arXiv preprint arXiv:2203.01982*, 2022.
- [39] I. Layton, J. Oppenheim, and Z. Weller-Davies, “A healthier semi-classical dynamics,” *arXiv preprint arXiv:2208.11722*, 2022.
- [40] T. Heinosaari, L. Leppäjärvi, and M. Plávala, “No-free-information principle in general probabilistic theories,” *Quantum*, vol. 3, p. 157, Jul 2019.
- [41] G. Chiribella, G. M. D’Ariano, and P. Perinotti, “Probabilistic theories with purification,” *Physical Review A*, vol. 81, no. 6, p. 062348, 2010.
- [42] D. Bohm, “A suggested interpretation of the quantum theory in terms of ‘hidden’ variables. i,” *Physical review*, vol. 85, no. 2, p. 166, 1952.
- [43] H. Everett, “The theory of the universal wave function,” in *The many-worlds interpretation of quantum mechanics*, pp. 1–140, Princeton University Press, 2015.
- [44] B. Mielnik, “Mobility of nonlinear systems,” *Journal of Mathematical Physics*, vol. 21, pp. 44–54, Jan. 1980.
- [45] M. Reginatto and M. J. W. Hall, “Quantum-classical interactions and measurement: a consistent description using statistical ensembles on configuration space,” *Journal of Physics: Conference Series*, vol. 174, p. 012038, jun 2009.
- [46] J. Barrett, L. Hardy, and A. Kent, “No signaling and quantum key distribution,” *Physical Review Letters*, vol. 95, no. 1, p. 010503, 2005.
- [47] P. Janotta and H. Hinrichsen, “Generalized probability theories: what determines the structure of quantum theory?,” *Journal of Physics A: Mathematical and Theoretical*, vol. 47, no. 32, p. 323001, 2014.
- [48] M. Plávala, “General probabilistic theories: An introduction,” *arXiv preprint arXiv:2103.07469*, 2021.
- [49] G. M. D’Ariano, P. Perinotti, and A. Tosini, “Information and disturbance in operational probabilistic theories,” *arXiv preprint arXiv:1907.07043*, 2019.
- [50] D. Carney and J. M. Taylor, “Strongly incoherent gravity,” *arXiv preprint arXiv:2301.08378*, 2023.
- [51] M. Bahrani, A. Großardt, S. Donadi, and A. Bassi, “The Schrödinger–Newton equation and its foundations,” *New Journal of Physics*, vol. 16, p. 115007, Nov. 2014.
- [52] B. Mielnik, “Generalized quantum mechanics,” *Comm. Math. Phys.*, vol. 37, no. 3, pp. 221–256, 1974.
- [53] A. Peres and D. Terno, “Hybrid classical-quantum dynamics,” *Physical Review A*, vol. 63, p. 022101, Jan. 2001.

## Appendix A: Schrödinger-Newton

The Schrödinger-Newton equation [51] appears in semi-classical gravity, where spacetime is described using the classical general relativistic framework and only matter degrees of freedom are quantized. Einstein’s equations describe the coupling between spacetime and matter in general relativity, and can be generalised to quantum matter by letting the expectation value of the stress energy tensor couple to the gravitational field:

$$R_{\mu\nu} + \frac{1}{2}g_{\mu\nu}R = \frac{8\pi G}{c^4} \langle \psi | \hat{T}_{\mu\nu} | \psi \rangle, \quad (\text{A1})$$

From this semi-classical Einstein equation one can derive the Schrödinger-Newton equation describing the evolution of the matter degrees of freedom [51]:

$$i\frac{d}{dt}\psi = -\nabla^2\psi - Gm \int d^3r' \frac{|\psi(t, r')|^2}{|r - r'|} + V\psi. \quad (\text{A2})$$

This setup seems to at first contradict our theorem. Namely matter is described by an irreducible quantum system, the interaction is reversible, there is back-reaction from the matter degrees of freedom onto the gravitational field and the gravitational field is classical.

This apparent contradiction is resolved once one observes that the non-linear dynamics described by the Schrödinger Newton equation allows one to carry out new non-quantum measurements on the matter system. These new measurements allow one to distinguish arbitrary pure states, entailing that the system is essentially classical. Therefore the Schrödinger-Newton model violates condition 1. of the theorem since it describes matter degrees of freedom as classical [44].

### Appendix B: Mielnik’s generalized quantum mechanics

In his 1974 paper “Generalized quantum mechanics” [52] Mielnik studied modifications to the Schrödinger equation induced by ‘subtle’ interactions between a quantum system and a classical gravitational field. In the language of our theorem this corresponds to reversible interactions with back-reaction. In the light of our no-go theorem, Mielnik showed that imposing Conditions ii), iii) and that the gravitational field is classical led to a change in the nature of the quantum system. The new interactions allowed one to measure non-quadratic observables (i.e. non-quantum observables) which lead to the system being effectively classical, as in the case of the Schrödinger-Newton equation above. This led him to the following hypothesis: “Either gravity is quantum or the electron is classical”.

Our theorem allows us to turn his hypothesis into a more precise statement: “Under the assumption of reversibility, either gravity is non-classical or the electron (i.e., matter) is a fundamentally super-selected (including classical) system”.

More specifically, if we assume that the position of the electron back-reacts on the gravitational field (as is predicted by Einstein’s field equation) and that the interaction is reversible, then either gravity is non-classical or the position of the electron cannot be put into superpositions. A similar story can be told for the energy of the electron, or indeed, any other degree of freedom that we expect to back-react on the gravitational field. Note that this does not rule out the existence of non-classical degrees of freedom so long as they do not backreact on the gravitational field.

There exist other models of reversible interactions with back reaction between a classical system and a quantum system such as [53] where the quantum degree of freedom inherits classical features. Theorem C.1 shows that this is inevitable (unless one allows that classical system to become non-classical).

### Appendix C: Constraining interactions between classical and non-classical systems

We now give the theorem constraining the possible interactions between non-classical systems and classical systems which we used to obtain corollary III.1 in the main text.

**Theorem C.1.** There is no reversible interaction between a classical system,  $G$ , and fully non-classical GPT system,  $S$  with information flow from the GPT system to the classical system. That is, any such interaction  $R$  must satisfy the no-signalling condition

$$\begin{array}{c} \text{---} \\ | \\ \overline{\text{S}} \\ | \\ \boxed{\text{R}} \\ | \\ \text{S} \\ | \\ \text{G} \end{array} = \begin{array}{c} \text{---} \\ | \\ \overline{\text{S}} \\ | \\ \boxed{\text{r}} \\ | \\ \text{S} \\ | \\ \text{G} \end{array} . \quad (\text{C1})$$



Moreover, in the case that the system  $S$  is reducible, then it is only the label of the sector which can influence the classical system in a reversible interaction. That is, it satisfies

$$\begin{array}{c} \overline{S} \\ | \\ \boxed{R} \\ | \\ S \end{array} \begin{array}{c} | \\ G \\ | \\ G \end{array} = \begin{array}{c} \overline{S} \\ | \\ \boxed{M} \\ | \\ S \end{array} \begin{array}{c} | \\ G \\ | \\ G \end{array} \begin{array}{c} | \\ r \\ | \\ G \end{array}, \quad (C2)$$

where  $M$  is the non-disturbing measurement for  $S$  which measures the which-sector information.

*Proof.* The basic idea behind the proof is that a reversible interaction between a system  $S$  and a classical system  $G$  can be used to construct a non-disturbing measurement for  $S$ . Then, for example, in Ref. [40] it was shown that there can be no information gain without disturbance for irreducible systems (see also [48, Proposition 6.16] and [49]) and that for reducible systems that non-disturbing measurements can only reveal the which-sector information. These results provide a constraint on the non-disturbing measurements that we construct, and we can then use this to constrain the reversible interaction itself.

See Appendix C 1 for the case of fully non-classical systems and App. C 2 for the generalisation to reducible systems.  $\square$

In the case of quantum theory this theorem shows that the only interactions between classical and non-superselected quantum systems where the quantum system influences the classical system are irreversible. Moreover, if we do have superselected quantum systems, where information other than the which-sector information to influences the classical system, then this too must be governed by an irreversible interaction.

### 1. Proof of theorem C.1 for irreducible systems

*Proof.* Let us assume that we have a classical system  $G$ , which in our key application will correspond to a classical gravitational field, and a fully non-classical system  $S$ , which in our key application will correspond to the matter degree of freedom. Then, let us assume that these two systems are interacting via a reversible interaction  $R$  which we diagrammatically denote as:

$$\begin{array}{c} | \\ S \\ | \\ \boxed{R} \\ | \\ S \end{array} \begin{array}{c} | \\ G \\ | \\ G \end{array}, \quad (C3)$$

where reversibility means that there exists a physical transformation  $R^{-1}$  such that:

$$\begin{array}{c} | \\ S \\ | \\ \boxed{R} \\ | \\ S \end{array} \begin{array}{c} | \\ G \\ | \\ G \end{array} = \begin{array}{c} | \\ S \\ | \\ \boxed{R^{-1}} \\ | \\ S \end{array} \begin{array}{c} | \\ G \\ | \\ G \end{array} = \begin{array}{c} | \\ S \\ | \\ \boxed{R^{-1}} \\ | \\ S \end{array} \begin{array}{c} | \\ G \\ | \\ G \end{array} \quad (C4)$$

At least in principle, there exist classical measurements,  $m$ , of  $G$  which are non-disturbing<sup>§</sup>. We

<sup>§</sup> This does not necessarily need to be a ‘direct’ measurement of the field, but could constitute a complicated ‘indirect’ procedure by which some test particle inter-

acts with the field and then some property of the test particle is measured to give the result.

denote these as:


(C5)

where  $C$  is some classical ‘pointer’ degree of freedom which records the measurement outcome. In the case that  $G$  is a finite dimensional classical system, then there is a single non-disturbing measurement which perfectly records the state of  $G$  into  $C$ , we, however, do not need to make this assumption here. The fact that this is a non-disturbing measurement is encoded in the fact that if we discard  $C$  the resulting transformation on  $F_g$  is simply the identity:


(C6)

where  $\overline{\overline{\quad}}$  represents throwing away/discarding/ignoring the physical system,  $C$ . In quantum theory this is represented by the trace and in classical probability theory by marginalisation. In particular,


(C7)

therefore represents the normalisation of the state  $P$  and hence any physical state must satisfy:


(C8)

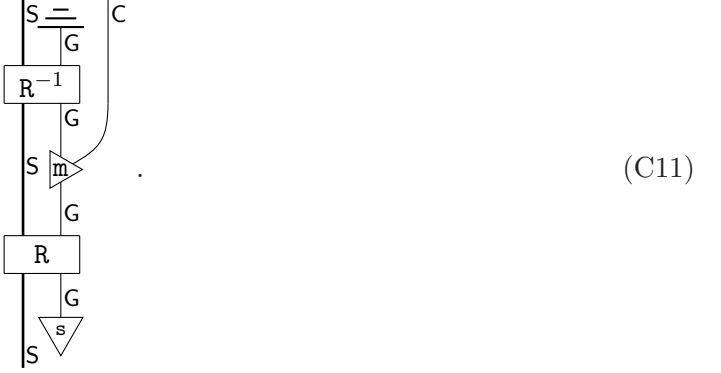
Similarly, any physical transformation must preserve this normalisation, hence we have that:


(C9)

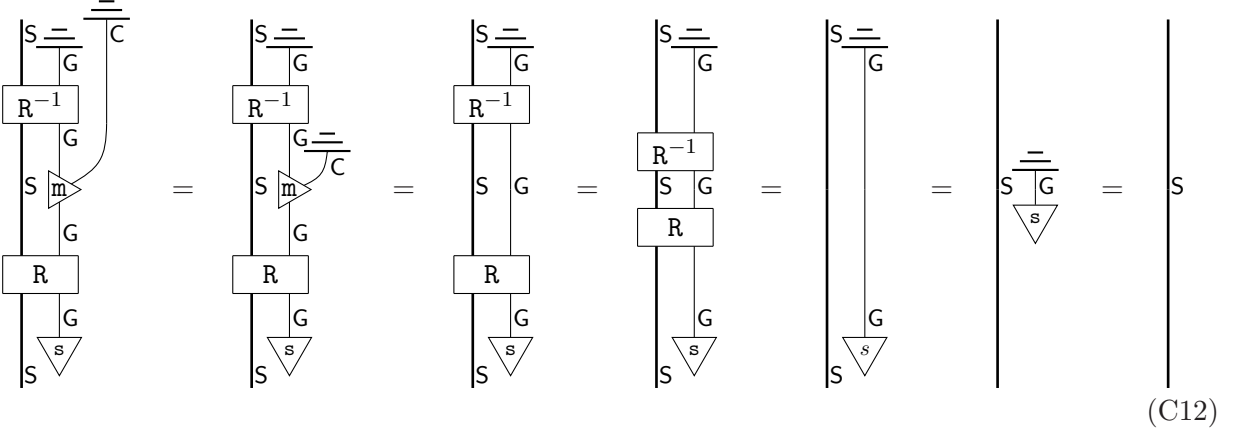
Now, consider the following diagram which we can construct out of these elements:


(C10)

For some initial state of the field,  $\mathbf{s}$ , and ignoring the final state of the field, we have the following:

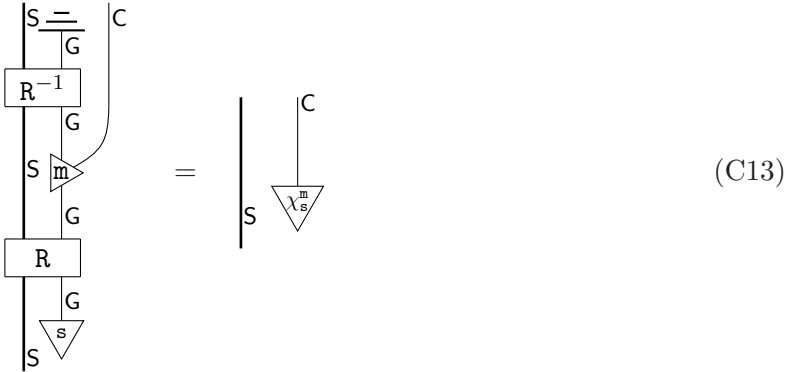


It is then simple to see that the above diagram describes a procedure that implements a non-disturbing measurement on the system  $S$ , as:



where the second equality uses the fact that  $m$  is non-disturbing for the field, the fourth reversibility of  $R$ , and the sixth is the normalisation of the field state  $\mathbf{s}$ .

Now, it is a well known result that such non-disturbing measurements for irreducible GPT systems are trivial [49], that is, that they factorise as the identity on the irreducible system and some fixed preparation of the classical pointer variable, that is:



where this state  $\chi_s^m$  can depend on the initial state of the field  $\mathbf{s}$  and the non-disturbing measurement

of the field  $m$ . We can compute this state to be given by:

$$\begin{array}{c} \text{C} \\ \downarrow \\ \triangle \lambda_m^s \end{array} = \begin{array}{c} \text{C} \\ \downarrow \\ \text{S} \\ \downarrow \\ \triangle \rho \end{array} \begin{array}{c} \text{C} \\ \downarrow \\ \triangle \lambda_m^m \end{array} = \begin{array}{c} \text{C} \\ \downarrow \\ \text{S} \text{ G} \\ \text{R}^{-1} \\ \downarrow \\ \text{S} \text{ G} \\ \triangle m \\ \downarrow \\ \text{S} \text{ G} \\ \text{R} \\ \downarrow \\ \text{S} \text{ G} \\ \triangle \rho \triangle s \end{array} = \begin{array}{c} \text{C} \\ \downarrow \\ \text{S} \text{ G} \\ \triangle m \\ \downarrow \\ \text{S} \text{ G} \\ \text{R} \\ \downarrow \\ \text{S} \text{ G} \\ \triangle \rho \triangle s \end{array}, \quad (\text{C14})$$

which is independent of the arbitrarily chosen initial state  $\rho$ . The first equality follows from normalisation of  $\rho$ , the second from Eq. (C13), and the final one from the fact that  $R^{-1}$  is a physical transformation and so preserves normalisation.

Hence, we can rewrite eq. (C13) as:

$$\begin{array}{c} \text{C} \\ \downarrow \\ \text{S} \text{ G} \\ \text{R}^{-1} \\ \downarrow \\ \text{S} \text{ G} \\ \triangle m \\ \downarrow \\ \text{S} \text{ G} \\ \text{R} \\ \downarrow \\ \text{S} \text{ G} \\ \triangle s \end{array} = \begin{array}{c} \text{C} \\ \downarrow \\ \text{S} \text{ G} \\ \triangle m \\ \downarrow \\ \text{S} \text{ G} \\ \text{R} \\ \downarrow \\ \text{S} \text{ G} \\ \triangle \rho \triangle s \end{array}. \quad (\text{C15})$$

Now, if we trace out the irreducible system,  $S$  in Eq. (C15), we obtain

$$\begin{array}{c} \text{C} \\ \downarrow \\ \text{S} \text{ G} \\ \text{R}^{-1} \\ \downarrow \\ \text{S} \text{ G} \\ \triangle m \\ \downarrow \\ \text{S} \text{ G} \\ \text{R} \\ \downarrow \\ \text{S} \text{ G} \\ \triangle s \end{array} = \begin{array}{c} \text{C} \\ \downarrow \\ \text{S} \text{ G} \\ \triangle m \\ \downarrow \\ \text{S} \text{ G} \\ \text{R} \\ \downarrow \\ \text{S} \text{ G} \\ \triangle \rho \triangle s \end{array} \quad (\text{C16})$$

which, using the fact that  $R^{-1}$  is physical and hence preserves normalisation gives

$$\text{Diagram (C17)} \quad (C17)$$

Now, this is true for all states  $\mathbf{s}$  of the field, hence we have

$$\text{Diagram (C18)} \quad (C18)$$

Similarly, this holds for all non-disturbing measurements of the field  $\mathbf{m}$ , and as these suffice for tomography of the classical system  $G$  hence we can rewrite this as:

$$\text{Diagram (C19)} \quad (C19)$$

$$\text{Diagram (C20)} \quad (C20)$$

This is the definition of what it means for an interaction  $R$  to be no-signalling from  $S$  to  $G$ . In other words, the state of the system  $S$  before the interaction has no influence on the state of the classical gravitational field  $G$  after the interaction.  $\square$

## 2. Proof of theorem C.1 for reducible systems

Up to Eq. C13 the proof is identical, as that is the first point where we have invoked irreducibility of  $S$ , the rest of the proof then proceeds as follows:

*Proof.* Now, it is a well known result that such non-disturbing measurements for GPT systems



reveal only which-sector information [49], that is, that they can be written as:

$$(C21)$$

where  $M$  is the non-disturbing measurement that reveals the which-sector information, that is, it satisfies:

$$(C22)$$

for all  $i$  and  $\rho_i \in \Omega_i$ . The process  $\Sigma_s^m$  is a stochastic map (which can depend on the initial state of the field  $s$  and the non-disturbing measurement of the field  $m$ ) processing the which-sector information. We can compute this stochastic map by looking at its action on point distributions as:

$$(C23)$$

where  $\rho_i$  is an arbitrarily chosen state in sector  $\Omega_i$ . The first equality follows from the definition of  $M$  together with the normalisation of  $\rho_i$ , the second from Eq. (C21), and the final one from the fact that  $R^{-1}$  is a physical transformation and so preserves normalisation.

Hence, we can rewrite eq. (C21) as:

$$(C24)$$

where in the first step we have taken Eq. (C21) and introduced a resolution of the identity on the RHS, and in the second we have used the above characterisation of  $\Sigma_s^m$ .

Now, if we trace out the system,  $S$  in Eq. (C24), we obtain

$$(C25)$$

which, using the fact that  $R^{-1}$  is physical and hence preserves normalisation gives

$$(C26)$$

Now, this is true for all states  $s$  and measurements  $m$  of the field, hence we have:

$$(C27)$$

$$(C28)$$

This means it is only the variation in the which-sector information of  $S$  which signals to  $G$ .  $\square$