

Quantum Manipulations of Small Josephson Junctions

Alexander Shnirman^{1,2}, Gerd Schön¹ and Ziv Hermon¹

¹*Institut für Theoretische Festkörperphysik, Universität Karlsruhe, D-76128 Karlsruhe, Germany.*

²*School of Physics and Astronomy, Tel Aviv University, 69978 Tel Aviv, Israel.*

Abstract

Low-capacitance Josephson junction arrays in the parameter range where single charges can be controlled are suggested as possible physical realizations of the elements which have been considered in the context of quantum computers. We discuss single and multiple quantum bit systems. The systems are controlled by applied gate voltages, which also allow the necessary manipulation of the quantum states. We estimate that the phase coherence time is sufficiently long for experimental demonstration of the principles of quantum computation.

I. INTRODUCTION

The issue of quantum computation has attracted much attention recently [1]. Quantum algorithms can perform certain types of calculations much faster than classical computers [2]. The basic concepts of quantum computation are quantum operations (gates) on quantum bits (qubits) and registers, i. e. arrays of qubits. A qubit can be any two-level system which can be prepared in arbitrary superpositions of its two eigenstates. Quantum computation requires “quantum state engineering”, i. e. the processes of preparation and manipulation of these quantum states in a controllable way. For quantum registers also “entangled states” (like the EPR state of two spins) have to be constructed. This necessitates a coupling between different qubits, and one has to be able to construct many-qubits states (many-particle states) in a controllable way. Several physical systems have been proposed as qubits

[3,4]. A serious limitation is the requirement that the phase coherence time is sufficiently long to allow the coherent quantum manipulations. The theoretically and experimentally most advanced system appears to be the chain with trapped ions [3].

In this paper we propose an alternative system, composed of low-capacitance Josephson junctions. The coherent tunneling of Cooper pairs mixes different charge states. By controlling the gate voltages we can control the strength of the mixing. The physics of coherent Cooper-pair tunneling in this system has been established before [5–7]. The algorithms of quantum computation introduce new, well-defined rules. Their realization in experiments creates a new challenge. Here, we consider a one-bit system and we describe the possible ways of constructing quantum states. Then we focus on a two-bit system, where we propose a controllable coupling and we discuss the construction of two-bit states. In Section 2, we consider ideal systems. In Section 3 we include the coupling to a realistic external electrodynamic environment which limits the phase coherence time.

II. IDEALIZED ONE AND TWO-BIT SYSTEMS

A. One-bit system and gates.

The system we propose as a qubit is shown in Fig.1. It consists of two small superconducting grains connected by a tunnel junction. The junction is characterized by its capacitance C_J and the Josephson energy E_J . An ideal voltage source is connected to the system via two external capacitors C . We assume the total number of electrons in both grains to be even, so that at low enough temperatures all electrons are paired. Moreover, we assume that the superconducting energy gap Δ is the largest energy in the problem. Thus we can neglect pair-breaking processes. The complete set of possible quantum states is, then, characterized by n_L and n_R - the numbers of extra Cooper pairs on the left and the right island, respectively. Since there is no tunneling through the external capacitors, the total number of the extra Cooper pairs $N \equiv n_L + n_R$ is constant. In the following we

assume $N = 0$. Hence the set of basis states is parameterized by the number of Cooper pairs on one island or their difference $n \equiv (n_L - n_R)/2$. The Hamiltonian of this system is

$$H = \frac{(2en - CV/2)^2}{C + 2C_J} - E_J \cos\left(2\pi \frac{\Theta}{\Phi_0/2}\right), \quad (1)$$

where Θ is the conjugate to the variable $2en$ [8] and $\Phi_0 = \frac{h}{e}$ is the flux quantum. We consider systems where the charging energy of the internal capacitor $E_{C_J} = (2e)^2/2C_J$ is much larger than E_J . In this regime the energy levels are determined by the charging part of the Hamiltonian (1) for most values of the external voltage V . However, when V is such that the charging energies of two neighboring states $|n\rangle$ and $|n+1\rangle$ are close to each other, the Josephson tunneling becomes relevant. Then the two eigenstates are symmetric and antisymmetric combinations of $|n\rangle$ and $|n+1\rangle$ with an energy gap of E_J between them.

We concentrate on the voltage interval near one such degeneracy point. We demand, however, the interval to be wide enough, so that for most values of the voltage away from degeneracy to a reasonable approximation the eigenstates are $|n\rangle$ and $|n+1\rangle$. Near the degeneracy points we can translate (1) to the spin- $\frac{1}{2}$ language:

$$H = \frac{eCV}{C + 2C_J} \sigma_z + \frac{E_J}{2} \sigma_x, \quad (2)$$

where $|\uparrow\rangle \equiv |n\rangle$ and $|\downarrow\rangle \equiv |n+1\rangle$. Using this language we can immediately propose a few one-bit operations. If, for example, one chooses the operating point (i. e. the voltage) away from the degeneracy, the logical states $|0\rangle$ and $|1\rangle$ are just $|\downarrow\rangle$ and $|\uparrow\rangle$ respectively. Then, switching the system suddenly to the degeneracy point for a time Δt and switching suddenly back, we can perform one of the basic one-bit operations (gates) - a spin flip:

$$U_{\text{flip}}(\Delta t) = \begin{pmatrix} \cos\left(\frac{E_J \Delta t}{2\hbar}\right) & i \sin\left(\frac{E_J \Delta t}{2\hbar}\right) \\ i \sin\left(\frac{E_J \Delta t}{2\hbar}\right) & \cos\left(\frac{E_J \Delta t}{2\hbar}\right) \end{pmatrix} \quad (3)$$

To get rid of the time-dependent phases we perform all the calculations in the interaction picture, when the zero order Hamiltonian is the Hamiltonian at the operation point. To estimate the time-width Δt of the voltage pulse needed for a total spin flip, we note that a

reasonable experimental value of E_J is of the order of 1K. It cannot be chosen much smaller, since the condition $k_B T \ll E_J$ must be satisfied. Therefore the time-width is very short: $\Delta t \approx 10^{-10}$ s.

However there exists an alternative way to perform a coherent spin flip, as follows: The system is pushed adiabatically to the degeneracy point. Then the ac voltage with frequency E_J/\hbar is applied. The process is completely analogous to the paramagnetic resonance (here the constant magnetic field component is in the x-direction, while the oscillating one is in the z-direction). The time-width of the ac pulse needed for the total spin flip depends on its amplitude, therefore it can be chosen much longer than 10^{-10} s.

One can also perform an operation which changes only the relative phase between the states $|\downarrow\rangle$ and $|\uparrow\rangle$. To this end one should suddenly switch to another voltage away from the degeneracy and switch suddenly to the original point. The phase is acquired due to difference in energy gaps between the two points.

B. Two-bit system.

To perform two-bit operations (gates) which result in entangled states, one has to couple the qubits in a controllable way. The best situation would be one where the coupling can be switched off, leaving the qubits uncoupled when no operations are performed. Unfortunately, this option appears difficult to realize in microscopic and mesoscopic systems. As an alternative we suggest for a system with a weak constant coupling between the qubits. We will show that by tuning the energy gaps of the individual qubits we can change the effective strength of the coupling. We propose to couple two qubits using an inductance as shown in Fig.(2). One can easily see that if $L = 0$ the system reduces to two uncoupled qubits, while if $L = \infty$ the Coulomb interaction couples both qubits strongly. Therefore, we are interested in low values of L (the exact criterion to be specified). The Hamiltonian describing this system is

$$\begin{aligned}
H = \sum_{i=1,2} \left\{ \frac{(2en_i - V_i C_t)^2}{2C_J} - E_J \cos\left(2\pi \frac{\Theta_i}{\Phi_0/2}\right) \right\} + \frac{q^2}{2(2C_t)} + \frac{\phi^2}{2L} \\
- \frac{e(n_1 - n_2)q}{C_J} - \frac{e^2 C_t}{C_J^2} (n_1 + n_2)^2, \tag{4}
\end{aligned}$$

where q denotes the total charge on the external capacitors of both qubits, ϕ is its conjugate variable, and $C_t^{-1} = C_J^{-1} + 2C^{-1}$. The oscillator described by q and ϕ variables produces an effective mean field coupling between the qubits for frequencies smaller than $\omega_{LC} = 1/\sqrt{2C_t L}$. In order to have this coupling in a wide enough voltage interval around the degeneracy point, we demand that

$$A \equiv \frac{\hbar\omega_{LC}}{E_J} \gg 1. \tag{5}$$

Although the integration over q and ϕ can be performed exactly starting with (4), the resulting effective action is not simple. We prefer an alternative way. First we perform a canonical transformation

$$\begin{aligned}
\tilde{q} = q - \frac{2e(n_1 - n_2)C_t}{C_J}, \quad \tilde{\phi} = \phi; \\
\tilde{n}_i = n_i, \quad \tilde{\Theta}_i = \Theta_i - (-1)^i \frac{C_t}{C_J} \phi, \tag{6}
\end{aligned}$$

$i = 1, 2$, which results in a new Hamiltonian (we omit the tildes):

$$\begin{aligned}
H = \sum_{i=1,2} \left\{ \frac{(2en_i - CV_i/2)^2}{C + 2C_J} - E_J \cos \left[\frac{2\pi}{\Phi_0/2} \left(\Theta_i + (-1)^i \frac{C_t}{C_J} \phi \right) \right] \right\} \\
+ \frac{q^2}{2(2C_t)} + \frac{\phi^2}{2L}. \tag{7}
\end{aligned}$$

Now we make an additional assumption

$$\langle \phi^2 \rangle \ll \left(\frac{C_J \Phi_0}{2} \right)^2. \tag{8}$$

This assumption is, actually, necessary if one wishes to have Josephson tunneling terms in the Hamiltonian. Qualitatively, one can observe from (7), that if (8) does not hold, the $E_J \cos(\dots)$ terms are washed out. Below we will obtain this result in a more rigorous way.

Assuming the condition (8) we expand the $E_J \cos(\dots)$ terms of (7) in powers of ϕ and we neglect powers higher than linear. Then we can perform the integrations over q and ϕ ,

which are again Gaussian. As a result we obtain an effective Hamiltonian, which consists of two one-bit Hamiltonians (1) and a coupling term:

$$H_{\text{int}} = E_L \left[\sin \left(\frac{2\pi}{\Phi_0/2} \Theta_1 \right) - \sin \left(\frac{2\pi}{\Phi_0/2} \Theta_2 \right) \right]^2, \quad (9)$$

where

$$E_L = 8\pi^2 \frac{C_t^2 E_J^2 L}{C_J^2 \Phi_0^2}. \quad (10)$$

This Hamiltonian is valid for frequencies which are smaller than ω_{LC} . In the spin- $\frac{1}{2}$ language it is

$$H_{\text{int}} = -\frac{E_L}{4} (\sigma_y^{(1)} - \sigma_y^{(2)})^2. \quad (11)$$

The mixed term in (11) is important in certain situations. Assume that E_L is comparable to E_J and the voltages V_1 and V_2 are such that both qubits are out of degeneracy. Then, to a good approximation, the eigenstates of the two-bit system without coupling are $|\downarrow\downarrow\rangle$, $|\downarrow\uparrow\rangle$, $|\uparrow\downarrow\rangle$ and $|\uparrow\uparrow\rangle$. In a general situation, these states are separated by energies which are larger or much larger than E_J . Therefore, the effect of the coupling is small. If, however, a pair of these state is degenerate, the coupling may lift the degeneracy, changing the eigenstates drastically. For example, if $V_1 = V_2$, the states $|\downarrow\uparrow\rangle$ and $|\uparrow\downarrow\rangle$ are degenerate. In this case the correct eigenstates are: $\frac{1}{\sqrt{2}}(|\downarrow\uparrow\rangle + |\uparrow\downarrow\rangle)$ and $\frac{1}{\sqrt{2}}(|\downarrow\uparrow\rangle - |\uparrow\downarrow\rangle)$ with the energy splitting E_L between them.

Now we are ready to propose a way to perform two-bit operations which will result in entangled states. For this we choose the operating points for the qubits at different voltages. Then we switch suddenly the voltages to be equal for a time Δt and switch suddenly back. The result is a ‘‘generalized’’ spin-flip, which may be described in the basis $\{|\downarrow\downarrow\rangle, |\downarrow\uparrow\rangle, |\uparrow\downarrow\rangle, |\uparrow\uparrow\rangle\}$ by a matrix:

$$U_{\text{flip}}^{(2)}(\Delta t) = \begin{pmatrix} 1 & 0 & 0 & 0 \\ 0 & \cos\left(\frac{E_L \Delta t}{2\hbar}\right) & i \sin\left(\frac{E_L \Delta t}{2\hbar}\right) & 0 \\ 0 & i \sin\left(\frac{E_L \Delta t}{2\hbar}\right) & \cos\left(\frac{E_L \Delta t}{2\hbar}\right) & 0 \\ 0 & 0 & 0 & 1 \end{pmatrix}. \quad (12)$$

The gate (12) together with the one-bit gates (3) constitute a universal set, i.e., they are sufficient for quantum computation.

Instead of applying very short voltage pulses, one again can move the system adiabatically to the degeneracy point ($V_1 = V_2$), and, then, apply an ac voltage pulse in the antisymmetric channel $V_1 - V_2 = A \exp(iE_L t/\hbar)$.

III. CIRCUIT EFFECTS AND DISSIPATION

A. One-bit system. Energy relaxation out of the degeneracy point.

The idealized picture outlined above has to be corrected with respect to the possible dissipation mechanisms, which, as usual, cause decoherence and energy relaxation. In this paper we focus on the effect of ohmic dissipation in the circuit, which originates mostly from the voltage sources. We also consider the effect of LC resonances in the circuit. We neglect quasi-particle tunneling since it is strongly suppressed at low temperatures and low voltages. The system is shown in Fig. 3. We include the inductance L explicitly for two reasons. First, we would like to couple the bath of oscillators to a continuous charge variable, rather than directly coupling them to the discrete variable n . Second, we would like to treat the LC oscillatory mode separately from the bath oscillators, since it plays an important role in the two-bit system. The Hamiltonian for this system is:

$$H = \frac{(2en - VC_t)^2}{2C_J} - E_J \cos\left(2\pi \frac{\Theta}{\Phi_0/2}\right) + \frac{q^2}{2C_t} + \frac{\phi^2}{2L} - \frac{2enq}{C_J} + H_{\text{bath}}(q), \quad (13)$$

where

$$H_{\text{bath}}(q) = \sum_j \left[\frac{p_j^2}{2m_j} + \frac{m_j \omega_j^2}{2} \left(x_j - \frac{\lambda_j}{m_j \omega_j^2} q \right)^2 \right], \quad (14)$$

and $J(\omega) \equiv \frac{\pi}{2} \sum_j \frac{\lambda_j^2}{m_j \omega_j} \delta(\omega - \omega_j) = R\omega$. In (13) and (14) the variable q denotes the charge on the external capacitors, while ϕ is its conjugate variable. The coupling to the bath (14) produces the usual dissipative term $-R\dot{q}$ in the equation of motion for q .

Although the Hamiltonian (13) is quite transparent, another equivalent form is more convenient. It is obtained after two consequent canonical transformations:

$$\begin{aligned}\tilde{q} &= q, & \tilde{\phi} &= \phi + \sum_j \frac{\lambda_j}{m_j \omega_j^2} p_j; \\ \tilde{x}_j &= x_j - \frac{\lambda_j}{m_j \omega_j^2} q, & \tilde{p}_j &= p_j,\end{aligned}\tag{15}$$

and

$$\begin{aligned}\bar{q} &= \tilde{q} - \frac{2enC_t}{C_J}, & \bar{\phi} &= \tilde{\phi}; \\ \bar{n} &= n, & \bar{\Theta} &= \Theta + \frac{C_t}{C_J} \tilde{\phi}.\end{aligned}\tag{16}$$

Now the Hamiltonian takes the form:

$$H = \frac{(2en - CV/2)^2}{C + 2C_J} - E_J \cos \left[\frac{2\pi}{\Phi_0/2} \left(\bar{\Theta} - \frac{C_t}{C_J} \tilde{\phi} \right) \right] + \frac{\bar{q}^2}{2C_t} + H'_{\text{bath}}(\tilde{\phi}).\tag{17}$$

where

$$H'_{\text{bath}}(\tilde{\phi}) = \sum_j \left[\frac{\tilde{p}_j^2}{2m_j} + \frac{m_j \omega_j^2}{2} \tilde{x}_j^2 \right] + \frac{(\tilde{\phi} - \sum_j \frac{\lambda_j}{m_j \omega_j^2} \tilde{p}_j)^2}{2L}.\tag{18}$$

The two forms (13) and (17) differ mostly in the definition of the phase variable conjugated to q . If L is small enough, the variable ϕ fluctuates in a small interval around zero. However, the fluctuations of $\tilde{\phi}$ are around a bath-dependent value, which may fluctuate strongly itself. Below we will see that both forms may be useful in different situations.

First, we estimate the energy relaxation time, τ_r , due to the ohmic dissipation. We assume that the system is away from the degeneracy point and is prepared in one of its eigenstates ($|n\rangle$ or $|n+1\rangle$) at the beginning. We use the Hamiltonian in the second form (17). The part of (17) connecting the states $|n\rangle$ and $|n+1\rangle$ is

$$H_t = \frac{E_J}{2} \exp \left(i \frac{2\pi}{\Phi_0/2} \bar{\Theta} \right) \exp \left(-i \frac{2\pi}{\Phi_0/2} \frac{C_t}{C_J} \tilde{\phi} \right) + \text{h.c.}.\tag{19}$$

At this point we can directly apply the standard Golden Rule results for the transition rate from the state $|n\rangle$ to the state $|n+1\rangle$ [9–12]:

$$\Gamma(\Delta E) = \frac{\pi}{2\hbar} E_J^2 P(\Delta E),\tag{20}$$

$$P(\Delta E) = \frac{1}{2\pi\hbar} \int_{-\infty}^{\infty} dt \exp \left[4 \frac{C_t^2}{C_J^2} K(t) + \frac{i}{\hbar} \Delta E t \right], \quad (21)$$

$$K(t) = 2 \int_0^{\infty} \frac{d\omega}{\omega} \frac{\text{Re} Z_t(\omega)}{R_K} \left[\coth \left(\frac{\hbar\omega}{2k_B T} \right) [\cos(\omega t) - 1] - i \sin(\omega t) \right], \quad (22)$$

$$Z_t^{-1} = i\omega C_t + \frac{1}{R + i\omega L}. \quad (23)$$

Here ΔE is the energy gap between the two states. The qualitative behavior of the system is, as usual, controlled by the dimensionless conductance $g = \frac{R_K}{4R}$. In our system a remarkable renormalization of the controlling parameter g occurs: from (21) one can observe that $\tilde{g} = \frac{C_J^2}{C_t^2} g$ is the relevant parameter. Thus, making the external capacitances C much smaller than the internal one - C_J , we can drastically reduce the effect of the dissipation. Physically, this means that the fluctuations produced by the resistor are screened by the small capacitors, and, therefore, they have little effect on the Josephson junction.

To be more concrete, we exploit the asymptotic formula for $P(\Delta E)$ [12]

$$P(\Delta E) = \frac{\exp(-2\gamma/\tilde{g})}{\Gamma(2/\tilde{g})} \frac{1}{\Delta E} \left[\frac{\pi \Delta E}{\tilde{g} E_{C_t}} \right]^{2/\tilde{g}}, \quad (24)$$

where $\Gamma(\cdot)$ is the Gamma function. For large values of \tilde{g} we obtain:

$$\tau_r \equiv \frac{1}{\Gamma(\Delta E)} \approx \tau_{\text{op}} \frac{\tilde{g}}{2\pi^2} \frac{\Delta E}{E_J}, \quad (25)$$

where $\tau_{\text{op}} \approx \frac{\hbar}{E_J}$ is the operation time (see (3)).

B. One-bit system. Circuit effects at the degeneracy point.

At the degeneracy point the system is equivalent to the two-level model with a weak ohmic dissipation, which was extensively studied during the last decades [13]. It is well known that when $\tilde{g} \gg 1$ coherent oscillations take place. These oscillations make the spin-flip operation (3) possible. The decay time of the coherent oscillations is given by

$$\tau_d \approx \frac{\tilde{g}}{2\pi^2} \frac{h}{E_J} = \frac{\tilde{g}}{2\pi^2} \tau_{\text{op}}, \quad (26)$$

and the energy gap E_J is slightly renormalized:

$$E_J \rightarrow E_J \left(\frac{E_J}{\hbar\omega_c} \right)^{\frac{1}{g-1}} . \quad (27)$$

The physical cut-off ω_c is usually a system-dependent property. For a pure ohmic dissipation caused by a metallic resistor it may be as high as the Drude frequency. However, when additional capacitances and inductances are present in the circuit, the relevant cut-off may be lowered to the characteristic LC frequencies.

As was said above, the LC phase fluctuations can wash out the Josephson coupling. To see this, we begin with the first form of the Hamiltonian (13) and we integrate out the bath variables and the oscillatory mode variables - ϕ, q . The partition function reads:

$$Z = \sum_{n_0} \int_{n_0}^{n_0} Dn D\Theta \times \exp \left\{ \frac{1}{\hbar} \left[\int_0^{\hbar\beta} d\tau (2ei\Theta\dot{n} - H_0(n, \Theta)) - \int_0^{\hbar\beta} \int_0^{\hbar\beta} d\tau d\tau' \frac{1}{2} G(\tau - \tau') n(\tau) n(\tau') \right] \right\} , \quad (28)$$

where

$$H_0 = \frac{(2en - VC_t)^2}{2C_J} - E_J \cos \left(2\pi \frac{\Theta}{\Phi_0/2} \right) , \quad (29)$$

and

$$G(\omega_n) = -\frac{4C_t e^2}{C_J^2} \frac{1}{(1 + C_t L \omega_n^2 + C_t R |\omega_n|)} . \quad (30)$$

Below we will show, that in the relevant parameters' range, the following inequality holds

$$\frac{1}{C_t R} \gg \frac{1}{\sqrt{LC_t}} \gg \frac{R}{L} . \quad (31)$$

Therefore, the natural cutoff for (30) would be $\omega_c = \omega_{LC} = \frac{1}{\sqrt{LC_t}}$. To make a rough estimation we replace (30) by

$$\begin{aligned} G(\omega_n) &= -\frac{4C_t e^2}{C_J^2} (1 - C_t L \omega_n^2 - C_t R) , \quad \omega_n < \omega_c \\ G(\omega_n) &= 0 , \quad \omega_n > \omega_c . \end{aligned} \quad (32)$$

The kernel (32) is a sum of a trivial charging energy renormalization (the first term), the usual ohmic dissipation (the third term) and the inductive term, which we will

focus on. We apply the standard charge representation technique [14], expanding $\exp\left[\frac{1}{\hbar} \int_0^{\hbar\beta} d\tau E_J \cos\left(2\pi \frac{\Theta}{\Phi_0/2}\right)\right]$ in powers of E_J and integrating over Θ term by term. One obtains, then, a path integral over integer charge paths with instantaneous “jumps” between the different values of n . Each such “jump” contributes a multiplicative factor of $E_J/2\hbar$ to the weight of the path. It turns out that the inductive term contributes another multiplicative factor for each “jump”, so that E_J is renormalized as:

$$\tilde{E}_J = E_J \exp\left(-\frac{2LC_t^2\omega_c}{\pi R_K C_J^2}\right). \quad (33)$$

One can immediately observe that the condition that E_J is not renormalized to zero coincides with the small fluctuations condition (8). We would like to emphasize that the phase fluctuations which may wash out the Josephson coupling in (33) are related to the “weakly fluctuating” phase ϕ , rather than to the “strongly fluctuating” $\tilde{\phi}$ (see (15)). Thus the effects of the inductance and the dissipation may be well separated in this regime. Another way of viewing this separation is by noting that the LC phase fluctuations are fast, therefore they effectively wash out the slower processes (like Josephson tunneling). On the other hand the phase fluctuations, caused by the resistor, are large only at low frequencies, thus they cannot wash out the faster processes.

C. Two-bit system. Circuit effects.

In this subsection we show that the coupling term (9) survives when the ohmic dissipation is present in the circuit. The analyzed system is shown in Fig.(4). We include the auxiliary inductances L_a in order to couple the dissipation bathes to continuous charge variable, rather than directly to the principal variables n and m . Finally we take $L_a \rightarrow 0$. The Hamiltonian is given by:

$$H = \sum_{i=1,2} \left\{ \frac{(2en_i - V_i C_t)^2}{2C_J} - E_J \cos\left(2\pi \frac{\Theta_i}{\Phi_0/2}\right) + \frac{q_i^2}{2C_t} - \frac{2en_i q_i}{C_J} + H_{\text{bath}}(q_i) \right\} + \frac{(\phi_1 + \phi_2)^2}{4L_a} + \frac{(\phi_1 - \phi_2)^2}{4(2L + L_a)}. \quad (34)$$

Here q_1 is the charge on the left-most external capacitor, while q_2 is the charge on the right-most external capacitor. ϕ_1 and ϕ_2 are their conjugate phases (weakly fluctuating ones). We make a canonical transformation

$$\begin{aligned}\tilde{q}_i &= q_i - \frac{2en_i C_t}{C_J}, \quad \tilde{\phi}_i = \phi_i; \\ \tilde{n}_i &= n_i, \quad \tilde{\Theta}_i = \Theta_i + \frac{C_t}{C_J} \phi_i,\end{aligned}\tag{35}$$

($i = 1, 2$) and the new Hamiltonian looks like (we omit the tildes):

$$\begin{aligned}H &= \sum_{i=1,2} \left\{ \frac{(2en_i - CV_i/2)^2}{C + 2C_J} - E_J \cos \left[\frac{2\pi}{\Phi_0/2} \left(\Theta_i - \frac{C_t}{C_J} \phi_i \right) \right] + \frac{q_i^2}{2C_t} + H_{\text{bath}} \left(q_i + \frac{C_t}{C_J} 2en_i \right) \right\} \\ &\quad + \frac{(\phi_1 + \phi_2)^2}{4L_a} + \frac{(\phi_1 - \phi_2)^2}{4(2L + L_a)}.\end{aligned}\tag{36}$$

Although the canonical transformation (35) looks equivalent to (16), there is one essential difference. In (16) we used the phase variable which included the bath fluctuations, while in (35) we keep the weakly fluctuating phases ϕ_1 and ϕ_2 . Next, we expand the $E_J \cos(\dots)$ terms in ϕ_1 and ϕ_2 and we integrate over the baths and over the two oscillatory modes. Finally we assume $L_a \rightarrow 0$. One can directly check that in the nondiagonal channel the mixed term of (9) emerges, accompanied with a bunch of other terms which are small at low frequency. Thus, the two-bit coupling, crucial for the quantum computation, is stable under the influence of the dissipation.

IV. DISCUSSION

Several conditions were assumed in this Letter in order to guarantee the validity of our results. Here we state these conditions once more and discuss the appropriate ranges of parameters. We start with $E_J \approx 1$ K as a suitable experimental condition. To satisfy $E_J \ll E_{C_J}$ we take $C_J \approx 10^{-16}$ F, which is an experimentally accessible value. As we would like A to be large (5), it seems that L and C_t should be as small as possible. However, the two-bit coupling energy, E_L (10), should be larger than the temperature of the experiment. Assuming a reasonable working temperature of 20 mK, we demand $E_L \approx 0.1$ K. From (5) and (10) we get $C_t = E_L C_J^2 A^2 / e^2$. To have a wide enough operation voltage interval we take

$A \approx 10$, and obtain $C_t \approx 10^{-17} - 10^{-16}$ F and $L \approx 10^{-8} - 10^{-7}$ H. Thus the renormalization of g is of the order of 10, and $\tau_r/\tau_{\text{op}} \approx 10^2 - 10^3$ (assuming the realistic value $R \approx 100 \Omega$) (25). Finally we observe that in this range of parameters the inequalities (8) and (31) are always satisfied. We conclude that the quantum manipulations we have discussed in this paper can be tested experimentally using the currently available lithographic and cryogenic techniques. Application of the Josephson junction system as an element of a quantum computer is a more subtle issue, demanding either the fabrication of junctions with $C_J < 10^{-16}$ F, or a further reduction of the working temperature.

V. ACKNOWLEDGMENTS:

We thank T. Beth, J. E. Mooij, A. Zaikin and P. Zoller for stimulating discussions. This work is supported by the Graduiertenkolleg "Kollektive Phänomene im Festkörper", by the Sonderforschungsbereich 195 of the DFG and by the German Israeli Foundation (Contract G-464-247.07/95).

REFERENCES

- [1] A. Barenco, *Contemp. Phys.* **37**, 375 (1996), D.P. DiVincenzo, preprint, cond-mat/9612126, and references therein.
- [2] P.W. Shor, in *Proceedings of the 35th Annual Symposium on the foundations of Computer Science*, edited by S. Goldwasser (IEEE Computer Society Press, Los Alamos, CA), p. 124 (1994).
- [3] J.I. Cirac and P. Zoller, *Phys. Rev. Lett.* **74**, 4091 (1995).
- [4] D. Loss and D.P. DiVincenzo, preprint, cond-mat/9701055.
- [5] A. Maassen v.d. Brink, G. Schön, and L. J. Geerligs, *Phys. Rev. Lett.* **67**, 3030 (1991);
A. Maassen v.d. Brink, A.A. Odintsov, P.A. Bobbert, and G. Schön, *Z. Phys. B* **85**, 459 (1991).
- [6] M. T. Tuominen, J. M. Hergenrother, T. S. Tighe, and M. Tinkham, *Phys. Rev. Lett.* **69**, 1997 (1992); *Phys. Rev. B* **47**, 11599 (1993).
- [7] J. Siewert and G. Schön, *Phys. Rev. B* **54**, 7421 (1996).
- [8] One should, of course, remember that the only well-defined quantum operator is $e^{2\pi i \frac{\Theta}{\Phi_0/2}}$ and not Θ itself. See P. Carruthers and M.M. Nieto, *Rev. Mod. Phys.* **40**, 411 (1968).
- [9] S.V. Panyukov and A.D. Zaikin, *J. Low. Temp. Phys.* **73**, 1 (1988).
- [10] A.A. Odintsov, *Sov. Phys. JETP* **67**, 1265 (1988).
- [11] Yu.V. Nazarov, *Sov. Phys. JETP* **68**, 561 (1989).
- [12] M.H. Devoret, D. Esteve, H. Grabert, G.L. Ingold and H. Pothier, *Phys. Rev. Lett.* **64**, 1824 (1990).
- [13] A.J. Leggett, S. Chakravarty, A.T. Dorsey, M.P.A. Fisher, A. Garg and W. Zwerger, *Rev. Mod. Phys.* **59**, 1 (1987).

[14] G. Schön and A.D. Zaikin, *Physics Reports* **198**, 237 (1990).

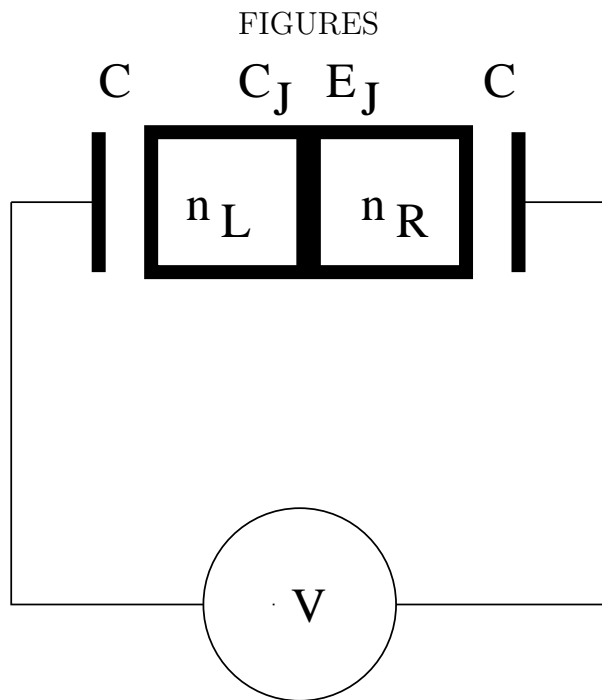


FIG. 1. An idealized qubit system.

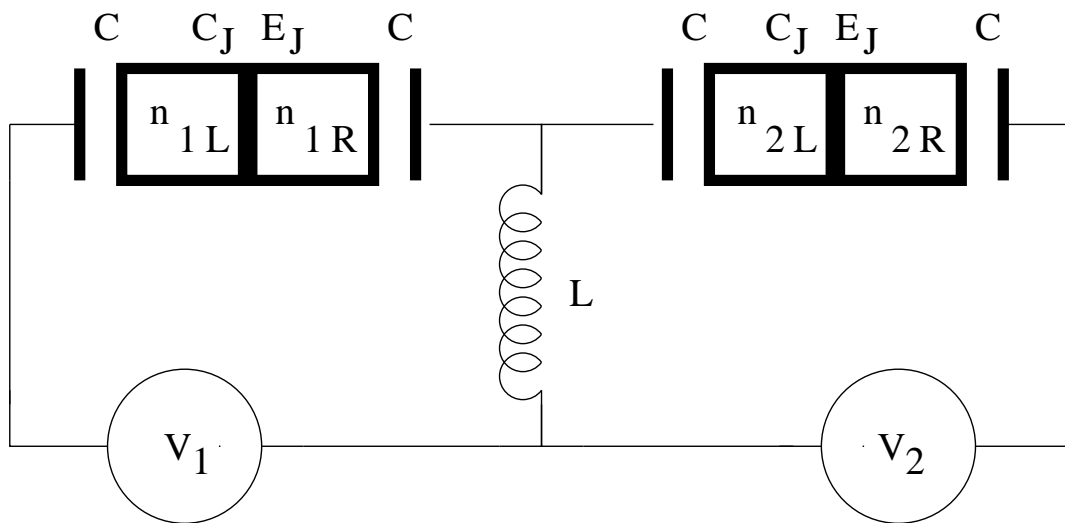


FIG. 2. An idealized two-bit system.

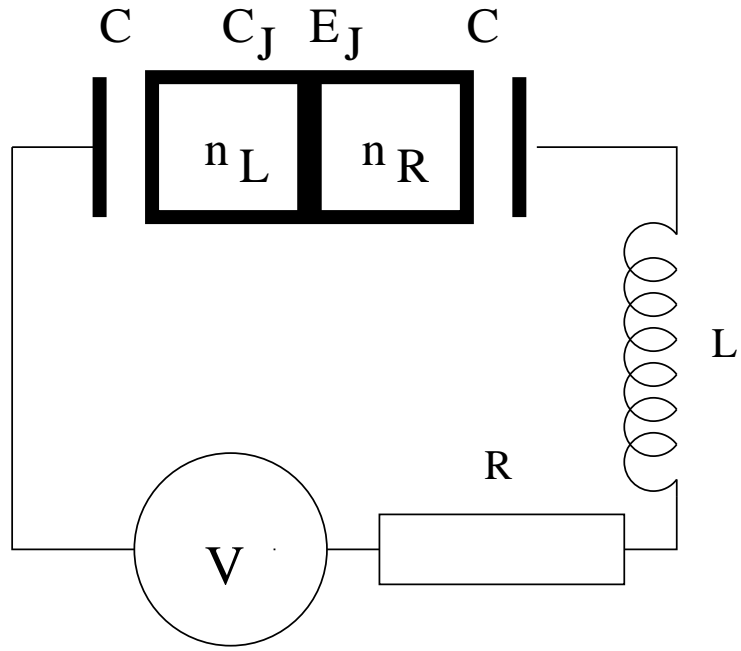


FIG. 3. A qubit with dissipation.

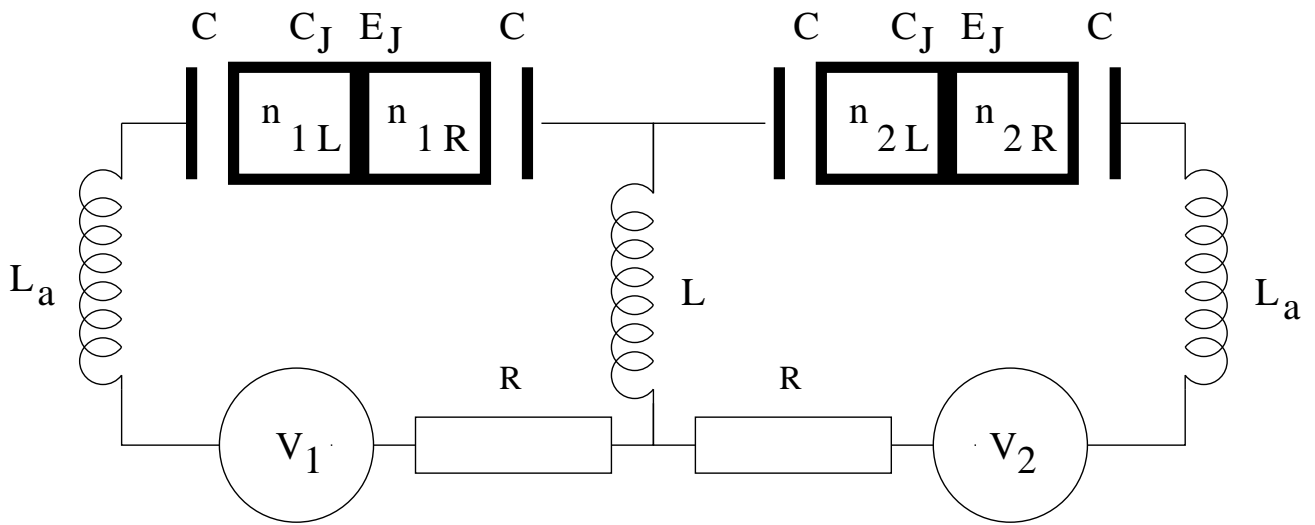


FIG. 4. Two-bit system with dissipation.