

A Unified Scheme for Two-Receiver Broadcast Channels with Receiver Message Side Information

Behzad Asadi, Lawrence Ong, and Sarah J. Johnson

School of Electrical Engineering and Computer Science, The University of Newcastle, Newcastle, Australia

Email: behzad.asadi@uon.edu.au, lawrence.ong@cantab.net, sarah.johnson@newcastle.edu.au

Abstract—This paper investigates the capacity regions of two-receiver broadcast channels where each receiver (i) has both common and private-message requests, and (ii) knows part of the private message requested by the other receiver as side information. We first propose a transmission scheme and derive an inner bound for the two-receiver memoryless broadcast channel. We next prove that this inner bound is tight for the deterministic channel and the more capable channel, thereby establishing their capacity regions. We show that this inner bound is also tight for all classes of two-receiver broadcast channels whose capacity regions were known prior to this work. Our proposed scheme is consequently a unified capacity-achieving scheme for these classes of broadcast channels.

Index Terms—Broadcast Channel, Capacity, Side Information

I. INTRODUCTION

We investigate the capacity regions of two-receiver broadcast channels [1] with receiver message side information where each receiver may know some of the transmitted messages a priori. These channels are of interest due to applications such as multimedia broadcasting with packet loss, and the downlink phase of two-way relay channels [2]. The capacity regions of these channels are known for only the following special classes of the two-receiver *memoryless* broadcast channel.

- 1) Specific message request and side information configuration (for all types of the channel):
 - a) Complementary side information: both receivers need to decode all the source messages, i.e., all the messages not known a priori [3], [4]
 - b) Degraded message sets: one receiver needs to decode all the source messages, and the other one only a subset of the source messages [5]
- 2) Specific channel type (for all possible message requests and side information configurations):
 - a) Additive white Gaussian noise (AWGN) channel [6]
 - b) Less noisy channel

The capacity region for the less noisy case is obtained from the capacity region of the three-receiver less noisy broadcast channel where (i) only two receivers possess side information, and (ii) the request of the third receiver is only restricted to a common message demanded by all the receivers [7, Theorem 3].

The other results obtained from the existing capacity results for broadcast channels with three or more receivers, [4], [7]–[11], fall into the mentioned results for two-receiver broadcast

This work is supported by the Australian Research Council under grants FT110100195, FT140100219, and DP150100903.

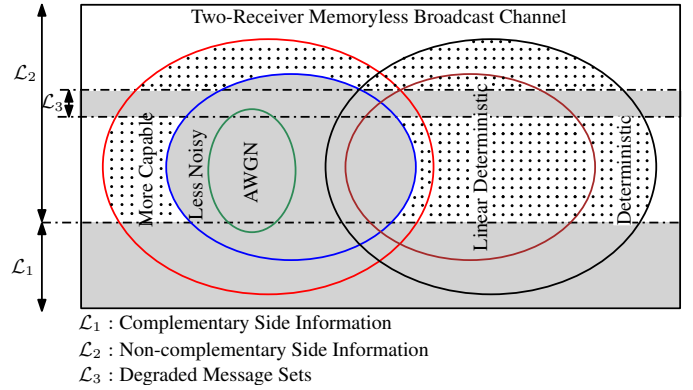


Fig. 1. Summary of the results where grey areas represent classes whose capacity regions were known prior to this work, and dotted areas represent classes whose capacity regions are established in this work for all possible message requests and side information configurations (the rectangle represents the two-receiver memoryless broadcast channel, and each oval represents one type of channel).

channels with complementary side information or degraded message sets.

A. Contributions

We consider the message setup for two-receiver broadcast channels that includes all possible message requests and side information configurations as special cases, i.e., each receiver (i) has both common and private-message requests, and (ii) knows part of the private message requested by the other receiver as side information. We propose a transmission scheme and derive an inner bound for the two-receiver memoryless broadcast channel. We show that this inner bound (i) establishes the

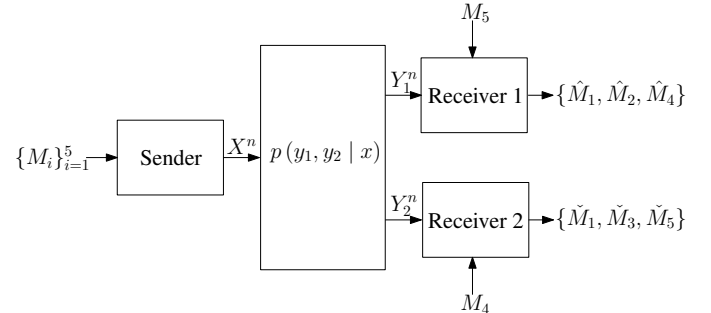


Fig. 2. The two-receiver memoryless broadcast channel $p(y_1, y_2 | x)$ with receiver message side information. $\mathbf{M} = \{M_i\}_{i=1}^5$ is the set of independent messages transmitted by the sender. $\mathbf{K}_1 = \{M_5\}$ and $\mathbf{K}_2 = \{M_4\}$ are the set of messages known a priori to receivers 1 and 2 respectively. $\mathbf{W}_1 = \{M_1, M_2, M_4\}$ and $\mathbf{W}_2 = \{M_1, M_3, M_5\}$ are the set of messages requested by receivers 1 and 2 respectively. M_i , $i = 1, 2, 4$, is the decoded M_i at receiver 1, and \check{M}_i , $i = 1, 3, 5$, is the decoded M_i at receiver 2.

$$R_1 + R_2 + R_4 < I(U_0, U_1; Y_1), \quad (1)$$

$$R_1 + R_3 + R_5 < I(U_0, U_2; Y_2), \quad (2)$$

$$R_1 + R_2 + R_3 + R_4 < I(U_0, U_1; Y_1) + I(U_2; Y_2 | U_0) - I(U_1; U_2 | U_0), \quad (3)$$

$$R_1 + R_2 + R_3 + R_5 < I(U_0, U_2; Y_2) + I(U_1; Y_1 | U_0) - I(U_1; U_2 | U_0), \quad (4)$$

$$2R_1 + R_2 + R_3 + R_4 + R_5 < I(U_0, U_1; Y_1) + I(U_0, U_2; Y_2) - I(U_1; U_2 | U_0). \quad (5)$$

capacity regions for two new classes, namely the deterministic channel and the more capable channel, and (ii) is tight for all classes of two-receiver broadcast channels with known capacity regions. A summary of the results is illustrated in Fig. 1.

II. SYSTEM MODEL

We consider the two-receiver discrete-time memoryless broadcast channel $p(y_1, y_2|x)$, depicted in Fig. 2, with input $X \in \mathcal{X}$, and outputs $Y_1 \in \mathcal{Y}_1$ and $Y_2 \in \mathcal{Y}_2$. In this channel, $X^n = (X_1, X_2, \dots, X_n)$ is the transmitted codeword, and $Y_i^n = (Y_{i,1}, Y_{i,2}, \dots, Y_{i,n})$, $i = 1, 2$, is the channel-output sequence at receiver i . The transmitted codeword is a function of source messages, $\mathbf{M} = \{M_i\}_{i=1}^5$. The source messages are independent, and M_i is uniformly distributed over the set $\mathcal{M}_i = \{1, 2, \dots, 2^{nR_i}\}$, i.e., transmitted at rate R_i bits per channel use.

We define two sets corresponding to each receiver. $\mathbf{W}_1 = \{M_1, M_2, M_4\}$ and $\mathbf{W}_2 = \{M_1, M_3, M_5\}$ are the set of messages requested by receivers 1 and 2 respectively. $\mathbf{K}_1 = \{M_5\}$ and $\mathbf{K}_2 = \{M_4\}$ are the set of messages known a priori to receivers 1 and 2 respectively. For receiver 1, M_2 is the part of the private-message request which is not known a priori to the other receiver, and M_4 is the part which is known. For receiver 2, these are M_3 and M_5 respectively.

A $(2^{nR_1}, 2^{nR_2}, 2^{nR_3}, 2^{nR_4}, 2^{nR_5}, n)$ code for the channel consists of an encoding function

$$f : \mathcal{M}_1 \times \mathcal{M}_2 \times \mathcal{M}_3 \times \mathcal{M}_4 \times \mathcal{M}_5 \rightarrow \mathcal{X}^n,$$

where \times denotes the Cartesian product, and \mathcal{X}^n denotes the n -fold Cartesian product of \mathcal{X} . It also consists of decoding functions

$$g_1 : \mathcal{Y}_1^n \times \mathcal{M}_5 \rightarrow \mathcal{M}_1 \times \mathcal{M}_2 \times \mathcal{M}_4,$$

$$g_2 : \mathcal{Y}_2^n \times \mathcal{M}_4 \rightarrow \mathcal{M}_1 \times \mathcal{M}_3 \times \mathcal{M}_5.$$

Average probability of error for this code is defined as

$$P_e^{(n)} = P((\hat{M}_1, \hat{M}_2, \hat{M}_4) \neq (M_1, M_2, M_4) \text{ or } (\check{M}_1, \check{M}_3, \check{M}_5) \neq (M_1, M_3, M_5)),$$

where \hat{M}_i , $i = 1, 2, 4$, is the decoded M_i at receiver 1, and \check{M}_i , $i = 1, 3, 5$, is the decoded M_i at receiver 2.

Definition 1: A rate tuple $(R_1, R_2, R_3, R_4, R_5)$ is said to be *achievable* for the channel if there exists a sequence of $(2^{nR_1}, 2^{nR_2}, 2^{nR_3}, 2^{nR_4}, 2^{nR_5}, n)$ codes with $P_e^{(n)} \rightarrow 0$ as $n \rightarrow \infty$.

Definition 2: The *capacity region* of the channel is the closure of the set of all achievable rate tuples $(R_1, R_2, R_3, R_4, R_5)$.

Definition 3: A two-receiver memoryless broadcast channel is said to be deterministic if the channel outputs are deterministic functions of the channel input, i.e., $Y_i = \phi_i(X)$, $i = 1, 2$.

Definition 4: A two-receiver memoryless broadcast channel is said to be more capable if $I(X; Y_1) \geq I(X; Y_2)$ for all input distributions $p(x)$.

III. PROPOSED SCHEME AND INNER BOUND

In this section, we propose a transmission scheme and derive an inner bound for the two-receiver memoryless broadcast channel with receiver message side information, stated as Theorem 1. The transmission scheme is constructed using Marton's coding scheme [12, p. 205], superposition coding [1], and rate splitting.

Theorem 1: A rate tuple $(R_1, R_2, R_3, R_4, R_5)$ for the two-receiver memoryless broadcast channel $p(y_1, y_2 | x)$ is achievable if it satisfies (1)–(5) for some $p(u_0, u_1, u_2)$ and some function $x = \gamma(u_0, u_1, u_2)$.

Proof: (Codebook Construction) The codebook of the transmission scheme is formed from three subcodebooks which are constructed according to the distribution $p(u_0, u_1, u_2)$. Before subcodebook construction, using rate splitting, M_i , $i = 2, 3$, is divided into two independent messages M_{i1} at rate R_{i1} , and M_{i2} at rate R_{i2} such that $R_i = R_{i1} + R_{i2}$.

The first subcodebook consists of i.i.d. codewords $u_0^n(m_1, m_4, m_5, m_{21}, m_{31})$ generated according to $\prod_{j=1}^n p_{U_0}(u_{0,j})$ for each $(m_1, m_4, m_5, m_{21}, m_{31})$.

The second subcodebook consists of codewords $u_1^n(m_1, m_4, m_5, m_{21}, m_{31}, m_{22}, l_1)$ generated according to $\prod_{j=1}^n p_{U_1|U_0}(u_{1,j} | u_{0,j}(m_1, m_4, m_5, m_{21}, m_{31}))$ where $l_1 \in \{1, 2, \dots, 2^{nR_1}\}$, i.e., for each $(m_1, m_4, m_5, m_{21}, m_{31}, m_{22})$, 2^{nR_1} codewords are generated.

The third subcodebook consists of codewords $u_2^n(m_1, m_4, m_5, m_{21}, m_{31}, m_{32}, l_2)$ generated according to $\prod_{j=1}^n p_{U_2|U_0}(u_{2,j} | u_{0,j}(m_1, m_4, m_5, m_{21}, m_{31}))$ where $l_2 \in \{1, 2, \dots, 2^{nR_2}\}$, i.e., for each $(m_1, m_4, m_5, m_{21}, m_{31}, m_{32})$, 2^{nR_2} codewords are generated.

(Encoding) For the encoding, given $\{m_i\}_{i=1}^5$, we first find a pair (l_1, l_2) such that

$$(U_0^n(\cdot), U_1^n(\cdot, l_1), U_2^n(\cdot, l_2)) \in \mathcal{T}_{\epsilon'}^n,$$

where $\mathcal{T}_{\epsilon'}^n$ is the set of jointly ϵ' -typical n -sequences with respect to the considered distribution [12, p. 29]. If there is more than one pair, we arbitrary choose one of them, and if there does not exist one pair, we choose $(l_1, l_2) = (1, 1)$. We then construct the transmitted codeword as $x_j = \gamma(u_{0,j}(\cdot), u_{1,j}(\cdot), u_{2,j}(\cdot))$, $j = 1, 2, \dots, n$.

(Decoding) Receiver 1 decodes $(\hat{m}_1, \hat{m}_{21}, \hat{m}_{22}, \hat{m}_4)$, if it is the unique tuple for which we have

$$(U_0^n(\cdot), U_1^n(\cdot, l_1), Y_1^n) \in \mathcal{T}_{\epsilon_1}^n \text{ for some } m_{31} \text{ and } l_1;$$

otherwise the error is declared.

$$\mathcal{E}_0 : (U_0^n(1, 1, 1, 1, 1), U_1^n(1, 1, 1, 1, 1, l_1), U_2^n(1, 1, 1, 1, 1, l_2)) \notin \mathcal{T}_{\epsilon^n} \text{ for all } l_1 \text{ and } l_2, \quad (6)$$

$$\mathcal{E}_{11} : (U_0^n(1, 1, 1, 1, 1), U_1^n(1, 1, 1, 1, 1, 2^{nR'_1}), Y_1^n) \notin \mathcal{T}_{\epsilon_1^n}, \quad (7)$$

$$\mathcal{E}_{12} : (U_0^n(1, 1, 1, 1, 1), U_1^n(1, 1, 1, 1, 1, m_{22}, l_1), Y_1^n) \in \mathcal{T}_{\epsilon_1^n} \text{ for some } m_{22} \neq 1 \text{ and } l_1, \quad (8)$$

$$\mathcal{E}_{13} : (U_0^n(m_1, m_4, 1, m_{21}, m_{31}), U_1^n(m_1, m_4, 1, m_{21}, m_{31}, m_{22}, l_1), Y_1^n) \in \mathcal{T}_{\epsilon_1^n} \quad (9)$$

for some $m_1 \neq 1, m_4, m_{21}, m_{31}, m_{22}$ and l_1 .

Receiver 2 similarly decodes $(\check{m}_1, \check{m}_{31}, \check{m}_{32}, \check{m}_5)$, if it is the unique tuple for which we have

$$(U_0^n(\cdot), U_2^n(\cdot, l_2), Y_2^n) \in \mathcal{T}_{\epsilon_2^n} \text{ for some } m_{21} \text{ and } l_2;$$

otherwise the error is declared.

We assume the transmitted messages are equal to one by the symmetry of code construction, and without loss of generality $(l_1, l_2) = (2^{nR'_1}, 2^{nR'_2})$. Hence, the error events at receiver 1 are (6)–(9); note that there exist some other error events, but they yield redundant achievability conditions. The error events at receiver 2 are similarly written. Based on the error events, packing lemma [12, p. 45], and mutual covering lemma [12, p. 208], the achievability conditions are

$$R'_1 + R'_2 > I(U_1; U_2 | U_0),$$

$$R_{22} + R'_1 < I(U_1; Y_1 | U_0),$$

$$R_1 + R_{21} + R_{31} + R_4 + R_{22} + R'_1 < I(U_0, U_1; Y_1),$$

$$R_{32} + R'_2 < I(U_2; Y_2 | U_0),$$

$$R_1 + R_{21} + R_{31} + R_5 + R_{32} + R'_2 < I(U_0, U_2; Y_2).$$

We finally perform Fourier-Motzkin elimination to obtain the region in (1)–(5). ■

IV. CAPACITY RESULTS

In this section, using the derived inner bound in Theorem 1, we establish the capacity regions for two new classes, i.e., the deterministic channel, stated as Theorem 2, and the more capable channel, stated as Theorem 3. We also show that our inner bound is tight for all classes of two-receiver broadcast channels whose capacity regions were known prior to this work.

Theorem 2: The capacity region of the two-receiver deterministic broadcast channel with receiver message side information is the closure of the set of all rate tuples $(R_1, R_2, R_3, R_4, R_5)$, each satisfying

$$R_1 + R_2 + R_4 < H(Y_1), \quad (10)$$

$$R_1 + R_3 + R_5 < H(Y_2), \quad (11)$$

$$R_1 + R_2 + R_3 + R_4 < H(Y_1) + H(Y_2 | U, Y_1), \quad (12)$$

$$R_1 + R_2 + R_3 + R_5 < H(Y_2) + H(Y_1 | U, Y_2), \quad (13)$$

$$2R_1 + R_2 + R_3 + R_4 + R_5 < \quad (14)$$

$$I(U; Y_1) + H(Y_2) + H(Y_1 | U, Y_2),$$

for some $p(u, x)$.

We present the achievability proof in the following, and the converse proof in Appendix A.

Proof: (Achievability) The achievability part of Theorem 2 is proved by setting $(U_0, U_1, U_2) = (U, Y_1, Y_2)$ in (1)–(5). ■

Theorem 3: The capacity region of the two-receiver more capable broadcast channel with receiver message side information is the closure of the set of all rate tuples $(R_1, R_2, R_3, R_4, R_5)$, each satisfying

$$R_1 + R_3 + R_5 < I(U; Y_2), \quad (15)$$

$$R_1 + R_2 + R_3 + R_5 < I(U; Y_2) + I(X; Y_1 | U), \quad (16)$$

$$R_1 + R_2 + R_3 + R_4 < I(X; Y_1), \quad (17)$$

for some $p(u, x)$.

We present the achievability proof in the following, and the converse proof in Appendix B.

Proof: (Achievability) The achievability of Theorem 3 is proved by setting $(U_0, U_1, U_2) = (U, X, 0)$ in (1)–(5). Note that $U_2 = 0$ implies that $M_{31} = M_3$, and $R'_1 = 0$. ■

A. Discussion on Prior Known Results

In this subsection, we show that the derived inner bound in Theorem 1 is tight for all classes of two-receiver broadcast channels with known capacity regions, as depicted in Fig. 1.

The capacity region of the two-receiver memoryless broadcast channel with complementary side information is achieved by multiplexing all the requested messages in only one codebook [3], [4]. This scheme is a special case our scheme obtained by setting $(U_0, U_1, U_2) = (X, 0, 0)$. Note that M_2 and M_3 are equal to zero in this message setup.

The capacity region of the two-receiver memoryless broadcast channel with degraded message sets is achieved by superposition coding [5]. This scheme is a special case of our scheme obtained by setting $(U_0, U_1, U_2) = (U, X, 0)$ or $(U_0, U_1, U_2) = (U, 0, X)$ depending on whether receiver 1 or receiver 2 needs to decode the whole set of the source messages, respectively. Note that either M_2 or M_3 is equal to zero in this message setup.

The AWGN broadcast channel and the less noisy broadcast channel are a subset of the more capable broadcast channel [12], as depicted in Fig. 1, then our scheme can also achieve their capacity regions.

V. CONCLUSION

We proposed a transmission scheme and derived an inner bound for the two-receiver memoryless broadcast channel with receiver message side information. We considered the general message setup which includes all possible message requests and side information configurations as special cases. Our proposed scheme is a unified capacity-achieving scheme for all classes of two-receiver broadcast channels whose capacity regions had been previously established, and for two new classes, i.e., the deterministic channel and the more capable channel.

$$n(R_1 + R_2 + R_4) \leq I(M_1, M_2, M_4; Y_1^n | M_5) + n\epsilon_n, \quad (23)$$

$$n(R_1 + R_3 + R_5) \leq I(M_1, M_3, M_5; Y_2^n | M_4) + n\epsilon_n, \quad (24)$$

$$n(R_1 + R_2 + R_3 + R_4) \leq I(M_1, M_4; Y_1^n | M_5) + I(M_2, M_3; Y_1^n, Y_2^n | M_1, M_4, M_5) + 3n\epsilon_n, \quad (25)$$

$$n(R_1 + R_2 + R_3 + R_5) \leq I(M_1, M_5; Y_2^n | M_4) + I(M_2, M_3; Y_1^n, Y_2^n | M_1, M_4, M_5) + 3n\epsilon_n, \quad (26)$$

$$n(2R_1 + R_2 + R_3 + R_4 + R_5) \leq I(M_1, M_4; Y_1^n | M_5) + I(M_1, M_5; Y_2^n | M_4) + I(M_2, M_3; Y_1^n, Y_2^n | M_1, M_4, M_5) + 4n\epsilon_n. \quad (27)$$

APPENDIX A

In this section, we present the converse proof for the two-receiver deterministic broadcast channel with receiver message side information. The proof is based on the converse proof for the channel without receiver message side information [13].

Proof: (Converse Proof) By Fano's inequality [12, p. 19], we have

$$H(M_1, M_2, M_4 | Y_1^n, M_5) \leq n\epsilon_{1,n}, \quad (18)$$

$$H(M_1, M_3, M_5 | Y_2^n, M_4) \leq n\epsilon_{2,n}, \quad (19)$$

where $\epsilon_{i,n} \rightarrow 0$ as $n \rightarrow \infty$ for $i = 1, 2$. For the sake of simplicity, we use ϵ_n instead of $\epsilon_{i,n}$ for the remainder. The inequalities in (18)–(19) also lead to the following inequalities,

$$H(M_1, M_4 | Y_1^n, M_5) \leq n\epsilon_n, \quad (20)$$

$$H(M_1, M_5 | Y_2^n, M_4) \leq n\epsilon_n, \quad (21)$$

$$H(M_2, M_3 | Y_1^n, Y_2^n, M_1, M_4, M_5) \leq 2n\epsilon_n. \quad (22)$$

Using (18)–(22), if a rate tuple $(R_1, R_2, R_3, R_4, R_5)$ is achievable, then it must satisfy (23)–(27).

Inequalities (23)–(27) yield conditions (10)–(14) respectively. To this end, we use the Csiszár sum identity [12, p. 25] based on which we have

$$\begin{aligned} & \sum_{i=1}^n I(Y_1^{i-1}; Y_{2,i} | M_1, M_4, M_5, Y_{2,i+1}^n) \\ &= \sum_{i=1}^n I(Y_{2,i+1}^n; Y_{1,i} | M_1, M_4, M_5, Y_1^{i-1}), \end{aligned} \quad (28)$$

where $Y_1^{i-1} = (Y_{1,1}, Y_{1,2}, \dots, Y_{1,i-1})$ and $Y_{2,i+1}^n = (Y_{2,i+1}, Y_{2,i+2}, \dots, Y_{2,n})$. We also need to define the auxiliary

random variable as

$$U_i = (M_1, M_4, M_5, Y_1^{i-1}, Y_{2,i+1}^n).$$

We here show only how inequalities (23) and (26) yield conditions (10) and (13) respectively. We just need to follow similar steps for (24), (25), and (27).

In (23), we expand the mutual information term as follows

$$\begin{aligned} & I(M_1, M_2, M_4; Y_1^n | M_5) \\ & \leq I(M_1, M_2, M_4; Y_1^n | M_3, M_5) \\ & = H(Y_1^n | M_3, M_5) \leq H(Y_1^n) \leq \sum_{i=1}^n H(Y_{1,i}). \end{aligned}$$

Then, since $\epsilon_n \rightarrow 0$ as $n \rightarrow \infty$, by using the standard time-sharing argument [12, p. 114], we have

$$R_1 + R_2 + R_4 \leq H(Y_1).$$

In (26), we first expand the mutual information terms as in (29). We then expand part 1 of (29) as in (30) where (a) follows from (28). We also expand part 2 of (29) as in (31). Finally, since $\epsilon_n \rightarrow 0$ as $n \rightarrow \infty$, and

$$\begin{aligned} & I(U_i; Y_{2,i}) + H(Y_{1,i} | U_i) + H(Y_{2,i} | U_i, Y_{1,i}) \\ & = H(Y_{2,i}) + H(Y_{1,i} | U_i) - I(Y_{1,i}; Y_{2,i} | U_i) \\ & = H(Y_{2,i}) + H(Y_{1,i} | U_i, Y_{2,i}), \end{aligned}$$

by using the standard time-sharing argument, we have

$$R_1 + R_2 + R_3 + R_5 \leq H(Y_2) + H(Y_1 | U, Y_2). \quad \blacksquare$$

$$\begin{aligned} & I(M_1, M_5; Y_2^n | M_4) + I(M_2, M_3; Y_1^n, Y_2^n | M_1, M_4, M_5) \\ & = \underbrace{I(M_1, M_5; Y_2^n | M_4) + I(M_2, M_3; Y_1^n | M_1, M_4, M_5)}_{\text{part 1}} + \underbrace{I(M_2, M_3; Y_2^n | M_1, M_4, M_5, Y_1^n)}_{\text{part 2}}. \end{aligned} \quad (29)$$

$$\begin{aligned} & I(M_1, M_5; Y_2^n | M_4) + I(M_2, M_3; Y_1^n | M_1, M_4, M_5) \\ & = \sum_{i=1}^n I(M_1, M_5; Y_{2,i} | M_4, Y_{2,i+1}^n) + \sum_{i=1}^n I(M_2, M_3; Y_{1,i} | M_1, M_4, M_5, Y_1^{i-1}) \\ & \leq \sum_{i=1}^n I(M_1, M_4, M_5, Y_{2,i+1}^n; Y_{2,i}) + \sum_{i=1}^n I(M_2, M_3, Y_{2,i+1}^n; Y_{1,i} | M_1, M_4, M_5, Y_1^{i-1}) \\ & = \sum_{i=1}^n I(M_1, M_4, M_5, Y_1^{i-1}, Y_{2,i+1}^n; Y_{2,i}) - \sum_{i=1}^n I(Y_1^{i-1}; Y_{2,i} | M_1, M_4, M_5, Y_{2,i+1}^n) \\ & \quad + \sum_{i=1}^n I(Y_{2,i+1}^n; Y_{1,i} | M_1, M_4, M_5, Y_1^{i-1}) + \sum_{i=1}^n I(M_2, M_3; Y_{1,i} | M_1, M_4, M_5, Y_1^{i-1}, Y_{2,i+1}^n) \\ & \stackrel{(a)}{=} \sum_{i=1}^n I(M_1, M_4, M_5, Y_1^{i-1}, Y_{2,i+1}^n; Y_{2,i}) + \sum_{i=1}^n I(M_2, M_3; Y_{1,i} | M_1, M_4, M_5, Y_1^{i-1}, Y_{2,i+1}^n) \\ & = \sum_{i=1}^n I(U_i; Y_{2,i}) + \sum_{i=1}^n H(Y_{1,i} | U_i). \end{aligned} \quad (30)$$

$$\begin{aligned} & I(M_2, M_3; Y_2^n | M_1, M_4, M_5, Y_1^n) \\ & = H(Y_2^n | M_1, M_4, M_5, Y_1^n) = \sum_{i=1}^n H(Y_{2,i} | M_1, M_4, M_5, Y_{2,i+1}^n, Y_1^n) \\ & \leq \sum_{i=1}^n H(Y_{2,i} | M_1, M_4, M_5, Y_{2,i+1}^n, Y_{1,i}, Y_1^{i-1}) = \sum_{i=1}^n H(Y_{2,i} | U_i, Y_{1,i}). \end{aligned} \quad (31)$$

$$n(R_1 + R_3 + R_5) \leq I(M_1, M_3, M_5; Y_2^n | M_4) + n\epsilon_n, \quad (32)$$

$$n(R_1 + R_2 + R_3 + R_5) \leq I(M_2; Y_1^n | M_1, M_3, M_4, M_5) + I(M_1, M_3, M_5; Y_2^n | M_4) + 2n\epsilon_n, \quad (33)$$

$$n(R_1 + R_2 + R_3 + R_4) \leq I(M_1, M_2, M_4; Y_1^n | M_5) + I(M_3; Y_2^n | M_1, M_2, M_4, M_5) + 2n\epsilon_n. \quad (34)$$

APPENDIX B

In this section, we present the converse proof for the two-receiver more capable broadcast channel with receiver message side information. The proof is based on the converse proof for the channel without receiver message side information [14].

Proof: (Converse Proof) Using (18) and (19), if a rate tuple $(R_1, R_2, R_3, R_4, R_5)$ is achievable, then it must satisfy (32)–(34).

In (32), we expand the mutual information term as follows

$$\begin{aligned} I(M_1, M_3, M_5; Y_2^n | M_4) &= \sum_{i=1}^n I(M_1, M_3, M_5; Y_{2,i} | M_4, Y_{2,i+1}^n) \\ &\leq \sum_{i=1}^n I(M_1, M_3, M_4, M_5, Y_{2,i+1}^n; Y_{2,i}) \\ &\leq \sum_{i=1}^n I(M_1, M_3, M_4, M_5, Y_1^{i-1}, Y_{2,i+1}^n; Y_{2,i}). \end{aligned}$$

This results in

$$n(R_1 + R_3 + R_5) \leq \sum_{i=1}^n I(U_i; Y_{2,i}) + n\epsilon_n, \quad (35)$$

where the auxiliary random variable U_i is defined as

$$U_i = (M_1, M_3, M_4, M_5, Y_1^{i-1}, Y_{2,i+1}^n). \quad (36)$$

In (33), we expand the mutual information terms as in (37) where (a) follows from the Csiszár sum identity [12, p. 25] and (b) from (36). This results in

$$\begin{aligned} n(R_1 + R_2 + R_3 + R_5) &\leq \\ &\sum_{i=1}^n (I(U_i; Y_{2,i}) + I(X_i; Y_{1,i} | U_i)) + 2n\epsilon_n, \end{aligned} \quad (38)$$

In (34), by expanding the mutual information terms similar to the ones in (33), we have

$$\begin{aligned} n(R_1 + R_2 + R_3 + R_4) &\leq \\ &\sum_{i=1}^n (I(V_i; Y_{1,i}) + I(X_i; Y_{2,i} | V_i)) + 2n\epsilon_n, \end{aligned} \quad (39)$$

where V_i is defined as

$$V_i = (M_1, M_2, M_4, M_5, Y_1^{i-1}, Y_{2,i+1}^n).$$

Inequality (39) yields

$$n(R_1 + R_2 + R_3 + R_4) \leq \sum_{i=1}^n I(X_i; Y_{1,i}) + 2n\epsilon_n, \quad (40)$$

because for the more capable channel, if $V \rightarrow X \rightarrow (Y_1, Y_2)$

form a Markov chain, then we have [12, p. 123]

$$I(X; Y_2 | V) \leq I(X; Y_1 | V).$$

Since $\epsilon_n \rightarrow 0$ as $n \rightarrow \infty$, by using the standard time-sharing argument [12, p. 114] for (35), (38) and (40), the converse proof is complete. ■

REFERENCES

- [1] T. M. Cover, "Broadcast channels," *IEEE Trans. Inf. Theory*, vol. 18, no. 1, pp. 2–14, Jan. 1972.
- [2] Y. Wu, P. A. Chou, and S. Y. Kung, "Information exchange in wireless networks with network coding and physical-layer broadcast," in *Proc. Conf. Inf. Sci. Syst. (CISS)*, Baltimore, MD, Mar. 2005.
- [3] T. J. Oechtering, C. Schnurr, I. Bjelakovic, and H. Boche, "Broadcast capacity region of two-phase bidirectional relaying," *IEEE Trans. Inf. Theory*, vol. 54, no. 1, pp. 454–458, Jan. 2008.
- [4] E. Tuncel, "Slepian-Wolf coding over broadcast channels," *IEEE Trans. Inf. Theory*, vol. 52, no. 4, pp. 1469–1482, Apr. 2006.
- [5] G. Kramer and S. Shamai, "Capacity for classes of broadcast channels with receiver side information," in *Proc. IEEE Inf. Theory Workshop (ITW)*, Lake Tahoe, CA, Sept. 2007, pp. 313–318.
- [6] Y. Wu, "Broadcasting when receivers know some messages a priori," in *Proc. IEEE Int. Symp. Inf. Theory (ISIT)*, Nice, France, June 2007, pp. 1141–1145.
- [7] T. J. Oechtering, M. Wigger, and R. Timo, "Broadcast capacity regions with three receivers and message cognition," in *Proc. IEEE Int. Symp. Inf. Theory (ISIT)*, Cambridge, MA, July 2012, pp. 388–392.
- [8] J. W. Yoo, T. Liu, and F. Xue, "Broadcasting with receiver message side information: A deterministic approach," in *Proc. 46th Annu. Allerton Conf. Commun. Control Comput.*, Monticello, IL, Sept. 2008, pp. 746–752.
- [9] B. Asadi, L. Ong, and S. J. Johnson, "The capacity of three-receiver AWGN broadcast channels with receiver message side information," in *Proc. IEEE Int. Symp. Inf. Theory (ISIT)*, Honolulu, HI, June/July 2014, pp. 2899–2903.
- [10] —, "Coding schemes for a class of receiver message side information in AWGN broadcast channels," in *Proc. IEEE Inf. Theory Workshop (ITW)*, Hobart, Australia, Nov. 2014, pp. 571–575.
- [11] J. Sima and W. Chen, "Joint network and Gelfand-Pinsker coding for 3-receiver Gaussian broadcast channels with receiver message side information," in *Proc. IEEE Int. Symp. Inf. Theory (ISIT)*, Honolulu, HI, June/July 2014, pp. 81–85 [Revised Version] Available: <http://arxiv.org/abs/1407.8409v2>.
- [12] A. El Gamal and Y. H. Kim, *Network Information Theory*. Cambridge University Press, 2011.
- [13] T. S. Han, "The capacity region for the deterministic broadcast channel with a common message," *IEEE Trans. Inf. Theory*, vol. 27, no. 1, pp. 122–125, Jan. 1981.
- [14] A. El Gamal, "The capacity of a class of broadcast channels," *IEEE Trans. Inf. Theory*, vol. 25, no. 2, pp. 166–169, Mar. 1979.

$$\begin{aligned} I(M_2; Y_1^n | M_1, M_3, M_4, M_5) + I(M_1, M_3, M_5; Y_2^n | M_4) & \quad (37) \\ &= \sum_{i=1}^n I(M_2; Y_{1,i} | M_1, M_3, M_4, M_5, Y_1^{i-1}) + \sum_{i=1}^n I(M_1, M_3, M_5; Y_{2,i} | M_4, Y_{2,i+1}^n) \\ &\leq \sum_{i=1}^n I(M_2, Y_{2,i+1}^n; Y_{1,i} | M_1, M_3, M_4, M_5, Y_1^{i-1}) + \sum_{i=1}^n I(M_1, M_3, M_4, M_5, Y_{2,i+1}^n; Y_{2,i}) \\ &\stackrel{(a)}{=} \sum_{i=1}^n I(M_2; Y_{1,i} | M_1, M_3, M_4, M_5, Y_1^{i-1}, Y_{2,i+1}^n) + \sum_{i=1}^n I(M_1, M_3, M_4, M_5, Y_1^{i-1}, Y_{2,i+1}^n; Y_{2,i}) \\ &\stackrel{(b)}{=} \sum_{i=1}^n I(M_2; Y_{1,i} | U_i) + \sum_{i=1}^n I(U_i; Y_{2,i}) \\ &\leq \sum_{i=1}^n I(M_2, X_i; Y_{1,i} | U_i) + \sum_{i=1}^n I(U_i; Y_{2,i}) = \sum_{i=1}^n I(X_i; Y_{1,i} | U_i) + \sum_{i=1}^n I(U_i; Y_{2,i}). \end{aligned}$$