

# ENUMERATION OF SMALL WILF CLASSES AVOIDING 1342 AND TWO OTHER 4-LETTER PATTERNS

DAVID CALLAN AND TOUFIK MANSOUR

**ABSTRACT.** This paper is one of a series whose goal is to enumerate the avoiders, in the sense of classical pattern avoidance, for each triple of 4-letter patterns. There are 317 symmetry classes of triples of 4-letter patterns, avoiders of 267 of which have already been enumerated. Here we enumerate avoiders for all small Wilf classes that have a representative triple containing the pattern 1342, giving 40 new enumerations and leaving only 13 classes still to be enumerated. In all but one case, we obtain an explicit algebraic generating function that is rational or of degree 2. The remaining one is shown to be algebraic of degree 3. We use standard methods, usually involving detailed consideration of the left to right maxima, and sometimes the initial letters, to obtain an algebraic or functional equation for the generating function.

**Keywords:** pattern avoidance, Wilf-equivalence, generating function, kernel method

## 1. INTRODUCTION

This paper is a sequel to [7] and continues the investigation of permutations avoiding a given triple of 4-letter patterns. All large Wilf classes (those consisting of more than one symmetry class) have been enumerated [3, 4]. Here we enumerate avoiders for all triples that contain the pattern 1342, lie in a small Wilf class, and are not amenable to the automated INSENC algorithm; see Table 1, where the numbering follows that of Table 2 in the appendix to [2]. As a consequence, only 13 symmetry classes remain to be enumerated.

Table 1: Small Wilf classes of three 4-letter patterns not counted by INSENC that include the pattern 1342

No.	Pattern set $T$	Generating function $F_T(x)$	Thm./[Ref]
77	{1243, 2314, 3412}	$\frac{1-11x+53x^2-145x^3+248x^4-274x^5+192x^6-80x^7+17x^8}{(1-x)^6(1-2x)^3}$	Thm. 4
86	{3412, 4132, 1324}	$\frac{1-7x+19x^2-24x^3+16x^4-4x^5-x^6+2x^7}{(1-x)^3(1-2x)(1-3x+x^2)}$	[7]
90	{1243, 2431, 3412}	$\frac{1-11x+51x^2-129x^3+195x^4-183x^5+104x^6-30x^7+3x^8}{(1-x)^4(1-2x)(1-3x+x^2)^2}$	Thm. 7
103	{1423, 2341, 3124}	$\frac{1-9x+35x^2-77x^3+107x^4-97x^5+55x^6-17x^7+x^8}{(1-x)^5(1-4x+5x^2-3x^3)}C(x)$	Thm. 11
106	{1342, 2143, 3412}	$\frac{(1-2x)(1-6x+12x^2-9x^3+4x^4)}{(1-x)^3(1-3x)(1-3x+x^2)}$	Thm. 15
118	{1423, 1234, 3412}	$\frac{1-12x+64x^2-198x^3+393x^4-521x^5+463x^6-269x^7+95x^8-17x^9}{(1-x)^7(1-2x)^3}$	Thm. 18
130	{3412, 3124, 1342}	$\frac{1-9x+32x^2-58x^3+58x^4-33x^5+8x^6}{(1-x)^4(1-2x)(1-4x+2x^2)}$	Thm. 20
131	{2134, 1423, 2341}	$\frac{2x^5+x^4-6x^3+7x^2-4x+1}{(1-2x)(1-x)^3}C(x) - \frac{x(2x^4-x^3+x^2-2x+1)}{(1-2x)(1-x)^4}$	Thm. 24

No.	Pattern set $T$	Generating function $F_T(x)$	Thm./[Ref]
133	{1342, 2143, 2314}	$\frac{(1-2x)(1-3x+x^2)}{1-6x+11x^2-7x^3}$	Thm. 25
150	{4312, 4132, 1324}	$\frac{1-11x+52x^2-136x^3+214x^4-204x^5+111x^6-28x^7}{(1-x)^3(1-2x)^3(1-3x+2x^2)}$	[7]
151	{4312, 1324, 1423}	$\frac{1-12x+61x^2-169x^3+275x^4-263x^5+136x^6-29x^7+x^8}{(1-3x+x^2)(1-2x)^4(1-x)^2}$	[7]
153	{4231, 1324, 1423}	$\frac{1-10x+41x^2-87x^3+101x^4-61x^5+15x^6-x^7}{(1-x)^2(1-2x)^3(1-3x+x^2)}$	[7]
156	{1324, 2341, 2431}	$\frac{1-8x+23x^2-25x^3+3x^4+7x^5}{(1-2x)^2(1-3x+x^2)(1-2x-x^2)}$	[7]
158	{1324, 1342, 3412}	$\frac{1-10x+40x^2-81x^3+88x^4-50x^5+11x^6}{(1-x)^3(1-2x)(1-3x)(1-3x+x^2)}$	[7]
159	{1243, 1342, 3412}	$\frac{1-11x+48x^2-104x^3+115x^4-61x^5+13x^6}{(1-x)(1-2x)(1-3x)(1-3x+x^2)^2}$	Thm. 29
162	{3412, 1423, 2341}	$\frac{1-7x+18x^2-21x^3+11x^4}{(1-2x)(1-6x+12x^2-11x^3+3x^4)}$	Thm. 33
163	{1342, 2314, 3412}	$\frac{(1-3x+3x^2)^2 C(x) - x(1-x)(1-3x+5x^2-4x^3)}{(1-x)^3(1-2x)}$	Thm. 35
164	{1432, 2431, 3214}	$\frac{(1-x)^4(1-2x)C(x) - x(1-4x+6x^2-5x^3)}{(1-x)(1-2x)(1-4x+5x^2-3x^3)}$	Thm. 37
165	{1342, 2314, 3421}	$\frac{(1-2x)(1-x)^4 C(x) - x(1-4x+6x^2-5x^3+x^4)}{(1-x)^4(1-3x+x^2)}$	Thm. 38
172	{2143, 4132, 1324}	$\frac{(2-10x+16x^2-8x^3+x^4)C(x) - 1+4x-5x^2+x^3}{(1-x)^2(1-3x+x^2)}$	[5]
175	{1423, 2341, 3142}	$\frac{1-6x+12x^2-11x^3+5x^4}{1-7x+17x^2-20x^3+12x^4-2x^5}$	Thm. 39
176	{1342, 2431, 3412}	$\frac{(1-x)^2(1-4x+6x^2-5x^3+x^4)C(x) - 1+6x-14x^2+15x^3-8x^4+x^5}{x(1-3x+x^2)(1-x+x^3)}$	Thm. 40
178	{1342, 2314, 2431}	$\frac{(1-x)^2(1-4x+6x^2-5x^3+x^4)C(x) - 1+6x-14x^2+15x^3-8x^4+x^5}{x(1-3x+x^2)(1-x+x^3)}$	Thm. 41
180	{1342, 2314, 4231}	$\frac{1-7x+18x^2-22x^3+16x^4-6x^5+x^6 - (x-5x^2+8x^3-2x^4-2x^5+x^6)C(x)}{(1-2x)(1-x)^2(1-5x+4x^2-x^3)}$	[7]
182	{2314, 2431, 3412}	$\frac{1+x^2(1-x)C(x)^4}{1-x(1-2x)C(x)^2}$	Thm. 44
184	{1324, 2431, 3241}	$\frac{1-8x+24x^2-32x^3+19x^4-3x^5}{(1-x)(1-2x)(1-3x+x^2)^2}$	[7]
187	{1324, 2314, 2431}	$\frac{1-9x+31x^2-49x^3+34x^4-7x^5}{(1-3x+x^2)^2(1-2x)^2}$	[7]
190	{3142, 2314, 1423}	$\frac{(1-2x)(1-3x+x^2)^2}{(1-x)(1-8x+22x^2-24x^3+8x^4-x^5)}$	Thm. 45
192	{1243, 1342, 2431}	$\frac{(1-5x+9x^2-6x^3)(C(x)-1)-x^3}{x(1-2x)(1-x)^2}$	Thm. 46
193	{1324, 2431, 3142}	$\frac{x-1+(x^2-5x+2)C(x)}{1-3x+x^2}$	[7]
194	{3124, 4123, 1243}	$\frac{(1-5x+9x^2-8x^3+4x^4)C(x) - (1-5x+9x^2-6x^3+x^4)}{x(1-2x)^2}$	Thm. 51
197	{2413, 3241, 2134}	$\frac{1-5x+9x^2-7x^3+x^4 + (1-5x+9x^2-9x^3+3x^4)\sqrt{1-4x}}{(1-x)(1-6x+12x^2-11x^3+3x^4 + (1-4x+6x^2-5x^3+x^4)\sqrt{1-4x})}$	Thm. 52
198	{1234, 1423, 2341}	$\frac{(1-7x+18x^2-19x^3+6x^4)C(x) - (1-6x+12x^2-8x^3+x^4)}{x^2(1-x)(1-2x)}$	Thm. 58
199	{1243, 1423, 2341}	$\frac{x(x-1)^2(2x-1)C(x) + 3x^4 - 7x^3 + 9x^2 - 5x + 1}{(xC(x) - (x-1)^2)(x-1)^2(2x-1)}$	Thm. 62
204	{1243, 1423, 2314}	$\frac{x(2x^2-2x+1)C(x) - (3x^2-3x+1)}{x(2x^2-2x+1)C(x) - (1-x)(3x^2-3x+1)}$	Thm. 67
207	{2134, 1423, 1243}	$\frac{1-x(1-x)C(x)}{(1-x)(2-C(x))+x^2}$	[6]

No.	Pattern set $T$	Generating function $F_T(x)$	Thm./[Ref]
208	{1234, 1342, 3124}	$\frac{(1-2x)(1-6x+12x^2-10x^3+2x^4)-x^2(1-2x+2x^2)^2C(x)}{1-9x+30x^2-49x^3+38x^4-8x^5-4x^6}$	Thm. 69
210	{1243, 1324, 2431}	$\frac{1-6x+13x^2-11x^3+4x^4}{x^2(1-x)^2}C(x) - \frac{1-6x+12x^2-8x^3+2x^4}{x^2(1-x)(1-2x)}$	[7]
212	{1324, 2413, 2431}	$1 + \frac{x(1-4x+4x^2-x^3-x(1-4x+2x^2)C(x))}{(1-3x+x^2)(1-3x+x^2-x(1-2x)C(x))}$	[7]
213	{2431, 1324, 1342}	$\frac{(1-5x+8x^2-5x^3)C(x)-1+4x-4x^2+x^3}{x^2(1-2x)}$	[7]
214	{1342, 2341, 3412}	$\frac{(1-2x)((1-5x+9x^2-6x^3)\sqrt{1-4x}-(1-9x+29x^2-38x^3+18x^4))}{2(1-x)^2x(1-7x+14x^2-9x^3)}$	Thm. 72
217	{4132, 1342, 1243}	$\frac{(1-x)(1-3x+x^2)\sqrt{1-4x}-(1-8x+20x^2-15x^3+4x^4)}{2x(1-x)(1-5x+4x^2-x^3)}$	Thm. 73
219	{1342, 2413, 3412}	$1 + \frac{x(1-x)^2(1-2x)}{(x^2-3x+1)(2x^2-2x+1)-x(1-2x)(1-x)C(x)}$	Thm. 74
220	{2431, 2314, 3142}	$1 + \frac{x(1-x)^2(1-2x)}{(1-3x)(1-x)^3-x(1-2x)(1-x+x^2)(C(x)-1)}$	Thm. 75
222	{3412, 3421, 1342}	$\frac{2-11x+13x^2-6x^3+x(1-x)(1-6x+4x^2)(1-4x)^{-1/2}}{2(1-6x+8x^2-4x^3)}$	Thm. 79
223	{1243, 1342, 2413}	$\frac{(1-2x)(1-2x-\sqrt{1-8x+20x^2-20x^3+4x^4})}{2x(1-4x+5x^2-x^3)}$	Thm. 82
224	{4132, 1342, 1423}	$\frac{2-10x+9x^2-3x^3+x(1-x)(2-x)\sqrt{1-4x}}{2(1-5x+4x^2-x^4)}$	Thm. 83
226	{1342, 2143, 2413}	$\frac{1-3x+x^2-\sqrt{(1-7x+13x^2-8x^3)(1-3x+x^2)}}{2x(1-x)(1-2x)}$	Thm. 85
231	{1324, 1342, 2341}	$\frac{(1-3x)(1-2x-xC(x))}{(1-4x)(1-3x+x^2)}$	[7]
232	{1234, 1342, 2341}	$\frac{1-4x+2x^2-(1-6x+9x^2)C(x)}{x(1-4x)}$	Thm. 87
242	{2341, 2431, 3241}	$F_T(x) = 1 + \frac{x F_T(x)}{1-x F_T^2(x)}$	Thm. 88

## 2. PRELIMINARIES

For every pattern set  $T$  considered,  $F_T(x)$  denotes the generating function  $\sum_{n \geq 0} |S_n(T)|x^n$  for  $T$ -avoiders and  $G_m(x)$  the generating function for  $T$ -avoiders  $\pi = i_1\pi^{(1)}i_2\pi^{(2)} \dots i_m\pi^{(m)} \in S_n(T)$  with  $m$  left-right maxima  $i_1, i_2, \dots, i_m = n$ ; thus  $F_T(x) = \sum_{m \geq 0} G_m(x)$ . In every case,  $G_0(x) = 1$  and  $G_1(x) = xF_T(x)$ , and for most triples  $T$ , our efforts are directed toward finding an expression for  $G_m(x)$ , usually distinguishing the case  $m = 2$  and sometimes  $m = 3$  from larger values of  $m$ . As usual,  $C(x)$  denotes the generating function for the Catalan numbers  $\frac{1}{n+1} \binom{2n}{n}$ , which counts  $\tau$ -avoiders for each 3-letter pattern  $\tau$  (see [9]).

Given nonempty sets of numbers  $S$  and  $T$ , we will write  $S < T$  to mean  $\max(S) < \min(T)$  (with the inequality vacuously holding if  $S$  or  $T$  is empty). In this context, we will often denote singleton sets simply by the element in question. Also, for a number  $k$ ,  $S - k$  means the set  $\{s - k : s \in S\}$ .

## 3. PROOFS

**3.1. Case 77:** {1243, 2314, 3412}. We count by number of left-right maxima. First, we suppose there are 2 left-right maxima and distinguish the cases  $\pi_1 = n - 1$  and  $\pi_1 \leq n - 2$ .

**Lemma 1.** *Let  $H(x)$  be the generating function for permutations  $(n-1)\pi'n\pi'' \in S_n(T)$ . Then*

$$H(x) = \frac{x^2(1-4x+5x^2)}{(1-2x)^3}.$$

*Proof.* Refine  $H(x)$  to  $H_d(x)$ , the generating function when  $\pi''$  has  $d$  letters. Clearly,  $H_0(x) = x^2 F_{\{231, 1243\}}(x)$ . So, by [12, Seq. A005183], we have

$$H_0(x) = x^2 \left( 1 + \frac{x(1-3x+3x^2)}{(1-x)(1-2x)^2} \right).$$

Henceforth, assume  $d \geq 1$ . Then  $\pi''$  is decreasing (to avoid 3412), say  $\pi'' = k_1 k_2 \cdots k_d$ . Let  $t \geq 1$  be maximal such that the initial  $t$  letters,  $I_t := \{\pi_1 \pi_2 \cdots \pi_t\}$ , of  $\pi$  are decreasing and  $> k_1$ . The subsequence of letters  $< k_1$  in  $\pi'$  is decreasing (else  $n k_1$  terminates a 1243). Also, as soon as a letter in  $(n-1)\pi' \setminus I_t$  is  $> k_1$ , so are all later letters (to avoid 2314). Thus  $\pi$  has the form  $I_t \alpha \beta n k_1 k_2 \cdots k_d$  with  $\alpha < k_1 < \beta$ . Furthermore, also to avoid 2314,  $\beta$  decomposes as  $\beta_1 \beta_2 \cdots \beta_t$  with  $\beta_1 < \pi_t < \beta_2 < \pi_{t-1} < \cdots < \beta_t < \pi_1 = n-1$ .

If  $\alpha = \emptyset$ , we clearly have a contribution of  $x^d H_0(x)$ . Henceforth, assume  $\alpha \neq \emptyset$ . Then all  $\beta$ 's avoid 231 and 132 (due to  $\alpha$  on the left and  $n$  on the right). Also, as soon as a  $\beta$  is nonempty, all later  $\beta$ 's are increasing (or  $\alpha$  and the nonempty  $\beta$  give the 12 of a 1243). Now to count contributions:  $I_t, n, k_1, \dots, k_d$  give  $x^{t+1+d}$ , and  $\alpha$  is separated into  $d$  decreasing blocks by  $k_1, \dots, k_d$ , giving  $1/(1-x)^d - 1$ .

When  $t = 1$ , the lone  $\beta$  contributes  $L := F_{\{132, 231\}}(x) = \frac{1-x}{1-2x}$  [11]. When  $t > 1$ , either all  $\beta$ 's are empty or the first nonempty  $\beta$  (a  $\{132, 231\}$ -avoider) is followed by  $r \in [0, t-1]$  increasing blocks, for a contribution of  $1 + (L-1)(1 + 1/(1-x) + \cdots + 1/(1-x)^{t-1})$ . Hence, for  $d \geq 1$ ,

$$\begin{aligned} H_d(x) &= x^d H_0(x) + x^{d+2} \left( \frac{1}{(1-x)^d} - 1 \right) L \\ &\quad + \left( \frac{1}{(1-x)^d} - 1 \right) \sum_{t \geq 2} x^{t+1+d} \left( 1 + (L-1) \frac{1 - 1/(1-x)^t}{1 - 1/(1-x)} \right). \end{aligned}$$

We have thus determined  $H_d(x)$  for all  $d$  and, since  $H(x) = \sum_{d \geq 0} H_d(x)$ , the result follows by routine computation.  $\square$

**Lemma 2.** *Let  $J(x)$  be the generating function for the number of permutations  $i\pi'n\pi'' \in S_n(T)$  such that  $i \leq n-2$ . Then*

$$J(x) = \frac{x^3(1-4x+9x^2-11x^3+6x^4-2x^5)}{(1-x)^5(1-2x)^2}.$$

*Proof.* Refine  $J(x)$  to  $J_d(x)$ , the generating function for permutations  $i\pi'n\pi'' \in S_n(T)$  such that  $i \leq n-2$  and  $\pi''$  has  $d$  letters smaller than  $i$ . Since  $n-1 \in \pi''$ , we have  $\pi'$  decreasing, for else  $n(n-1)$  are the 43 of a 1243.

If  $d = 0$ , then  $\pi'' > i$  and, due to the presence of the letter  $i$ ,  $\pi''$  avoids  $\{132, 2314, 3412\}$ . Thus

$$J_0(x) = \frac{x^2}{1-x} (K(x) - 1)$$

where  $K(x) = \frac{1-3x+3x^2}{(1-x)^2(1-2x)}$  is the generating function for  $\{132, 2314, 3412\}$ -avoiders (proof omitted).

Henceforth, assume  $d \geq 1$ . The letters smaller than  $i$  in  $\pi''$  are decreasing (to avoid 3412); denote them  $k_1 > k_2 > \dots > k_d$ . No letters  $u < v$  after  $n$  and  $> i$  can be separated by one of the  $k$ 's (else  $iukv$  is a 2314). Hence  $\pi$  decomposes as

$$\pi = i \alpha n \beta_1 k_1 \beta_2 k_2 \dots \beta_d k_d \beta_{d+1}$$

with  $\beta_1 > \beta_2 > \dots > \beta_d > \beta_{d+1}$  and, since  $\alpha$  is decreasing,  $\alpha$  can be separated by the  $k$ 's into  $\alpha_1 \alpha_2 \dots \alpha_{d+1}$  (see Figure 1). If some  $\beta_j$  is nonempty, then all lower-indexed  $\beta$ 's are decreasing since  $u < v$  in a lower-indexed  $\beta$  would be the 34 of a 3412.

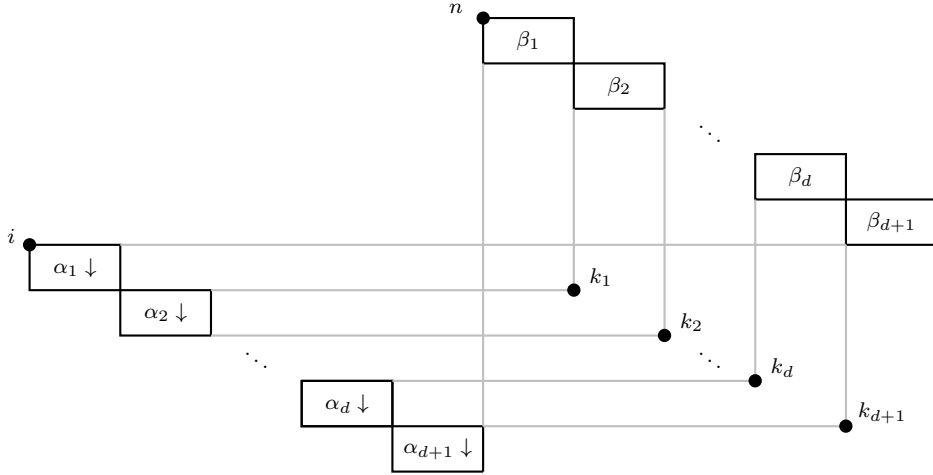


FIGURE 1. The decomposition of  $\pi$  for  $J_d$  in Lemma 2

It is convenient to focus on  $\alpha_2 \dots \alpha_{d+1}$  because a letter in this range is smaller than some  $k$ , implying restrictions on the  $\beta$ 's.

- $\alpha_2 \dots \alpha_{d+1} = \emptyset$ . Let  $j \in [1, d+1]$  be maximal such that  $\beta_j \neq \emptyset$  ( $j$  exists since  $n-1$  is in one of the  $\beta$ 's). Then, as noted,  $\beta_1, \beta_2, \dots, \beta_{j-1}$  are all decreasing. Also,  $\beta_j$  is a  $\{132, 2314, 3412\}$ -avoider due to the presence of  $i$ . So  $i, n$  and the  $k$ 's contribute  $x^{d+2}$ ,  $\alpha_1$  contributes  $1/(1-x)$ , while  $\beta_1, \beta_2, \dots, \beta_{j-1}$  contribute  $1/(1-x)^{j-1}$  and  $\beta_j$  contributes  $K(x) - 1$ , for an overall contribution of

$$\frac{x^{d+2}}{1-x} (K(x) - 1) \sum_{j=1}^{d+1} \frac{1}{(1-x)^{j-1}}.$$

- $\alpha_2 \dots \alpha_{d+1} \neq \emptyset$ . Let  $s \in [2, d+1]$  be minimal such that  $\alpha_s \neq \emptyset$ . Then  $\beta_{s+1} \beta_{s+2} \dots \beta_{d+1} = \emptyset$ , otherwise for  $u \in \alpha_s$ ,  $uk_{s-1}k_s$  would form the 231 of a 2314.

If  $\beta_2 \beta_3 \dots \beta_s = \emptyset$ , then  $\beta_1 \neq \emptyset$  and avoids  $\{132, 2314, 3412\}$ . So  $i, n$  and the  $k$ 's contribute  $x^{d+2}$ ,  $\alpha_1$  contributes  $1/(1-x)$ ,  $\alpha_s$  contributes  $x/(1-x)$ , later  $\alpha$ 's contribute  $1/(1-x)^{d+1-s}$ , and  $\beta_1$  contributes  $K(x) - 1$ , for an overall contribution of

$$\sum_{s=2}^{d+1} \frac{x^{d+3}}{(1-x)^{d+3-s}} (K(x) - 1).$$

If  $\beta_2\beta_3\dots\beta_s \neq \emptyset$ , then  $\beta_2\beta_3\dots\beta_s$  is increasing since  $u > v$  in  $\beta_2\beta_3\dots\beta_s$  would form the 43 of a 1243. Thus, since  $\beta_2 > \beta_3 > \dots > \beta_s$ ,  $\beta_2\beta_3\dots\beta_s \neq \emptyset$  implies there is a unique  $j \in [2, s]$  with  $\beta_j$  nonempty, and this  $\beta_j$  is increasing. Also, as noted,  $\beta_1$  is decreasing. Thus we get a contribution of

$$\sum_{s=2}^{d+1} \frac{(s-1)x^{d+4}}{(1-x)^{d+5-s}}$$

Hence, for  $d \geq 1$ ,

$$\begin{aligned} J_d(x) &= \frac{x^{d+2}}{1-x} (K(x) - 1) \sum_{j=1}^{d+1} \frac{1}{(1-x)^{j-1}} + \\ &\quad \sum_{s=2}^{d+1} \frac{x^{d+3}}{(1-x)^{d+3-s}} (K(x) - 1) + \sum_{s=2}^{d+1} \frac{(s-1)x^{d+4}}{(1-x)^{d+5-s}} \end{aligned}$$

Since  $J(x) = \sum_{d \geq 0} J_d(x)$ , the result follows by routine computation.  $\square$

**Corollary 3.** *The generating function  $G_2(x)$  for  $T$ -avoiders with exactly 2 left-right maxima, is given by*

$$G_2(x) = \frac{x^2(1 - 8x + 29x^2 - 58x^3 + 66x^4 - 43x^5 + 15x^6 - x^7)}{(1-2x)^3(1-x)^5}.$$

*Proof.* The result follows from Lemmas 1 and 2 because  $G_2(x) = H(x) + J(x)$ .  $\square$

Now, we are ready to find an explicit formula for  $F_T(x)$ .

**Theorem 4.** *Let  $T = \{1243, 2314, 3412\}$ . Then*

$$F_T(x) = \frac{1 - 11x + 53x^2 - 145x^3 + 248x^4 - 274x^5 + 192x^6 - 80x^7 + 17x^8}{(1-x)^6(1-2x)^3}.$$

*Proof.* Let  $G_m(x)$  be the generating function for  $T$ -avoiders with  $m$  left-right maxima. Clearly,  $G_0(x) = 1$  and  $G_1(x) = xF_T(x)$ . The formula for  $G_2(x)$  is given by Corollary 3.

To find an equation for  $G_3(x)$ , let  $\pi = i_1\pi^{(1)}i_2\pi^{(2)}i_3\pi^{(3)} \in S_n(T)$  with 3 left-right maxima. Since  $\pi$  avoids 1243 and 2314, we see that  $\pi^{(3)} < i_2$  and  $\pi^{(2)} > i_1$ . By considering the four cases whether  $\pi^{(2)}$  is empty or not and whether  $\pi^{(3)} < i_1$  or not, we obtain

$$G_3(x) = xH(x) + \frac{x^4}{(1-x)(1-2x)} + \frac{x^4}{(1-2x)^2} + \frac{x^5}{(1-x)(1-2x)^2},$$

where  $H(x)$  is defined in Lemma 1. Hence,

$$G_3(x) = \frac{x^3(1-x)^2}{(1-2x)^3}.$$

Now, suppose  $m \geq 4$ . Let  $\pi = i_1\pi^{(1)}\dots i_m\pi^{(m)} \in S_n(T)$  with  $m$  left-right maxima. Since  $\pi$  avoids  $T$ , we have that  $\pi^{(3)} = \emptyset$  and  $\pi^{(s)}$  has no letter between  $i_2$  and  $i_3$  for all  $s \geq 3$ . Hence,  $G_m(x) = xG_{m-1}(x)$ . By summing over all  $m \geq 4$ , we obtain

$$F_T(x) - G_0(x) - G_1(x) - G_2(x) - G_3(x) = x(F_T(x) - G_0(x) - G_1(x) - G_2(x))$$

Thus, by substituting the expressions above for  $G_j(x)$  with  $j = 0, 1, 2, 3$  and then solving for  $F_T(x)$ , we complete the proof.  $\square$

3.2. **Case 90:**  $\{1243, 2431, 3412\}$ . We consider left-right maxima and begin with the case where they are consecutive integers and  $n$  is not the last letter.

**Lemma 5.** For  $m \geq 2$ , let  $H_m(x)$  be the generating function for permutations  $\pi = (n+1-m)\pi^{(1)}(n+2-m)\pi^{(2)} \cdots n\pi^{(m)} \in S_n(T)$  such that  $\pi^{(m)}$  is not empty. Then

$$\sum_{m \geq 2} H_m(x) = \frac{x^3(1-2x)}{(1-3x+x^2)^2}.$$

*Proof.* Let  $i_j = n - m + j$ ,  $1 \leq j \leq m$ , denote the left-right maxima. First,  $\pi^{(2)} \cdots \pi^{(m)}$  is decreasing (or  $i_1 i_2$  is the 34 of a 3412) and contains no gaps (if there is a gap, say between  $u > v$ , then  $v+1 \in \pi^{(1)}$  and  $(v+1)i_2 uv$  is a 2431). So  $\pi$  has the form in Figure 2a) where the left-right maxima  $i_1, i_2, \dots, i_m$  are consecutive integers and  $A$  consists of consecutive decreasing integers whose last (and smallest) entry, say  $k$ , is in  $\pi^{(m)}$ .

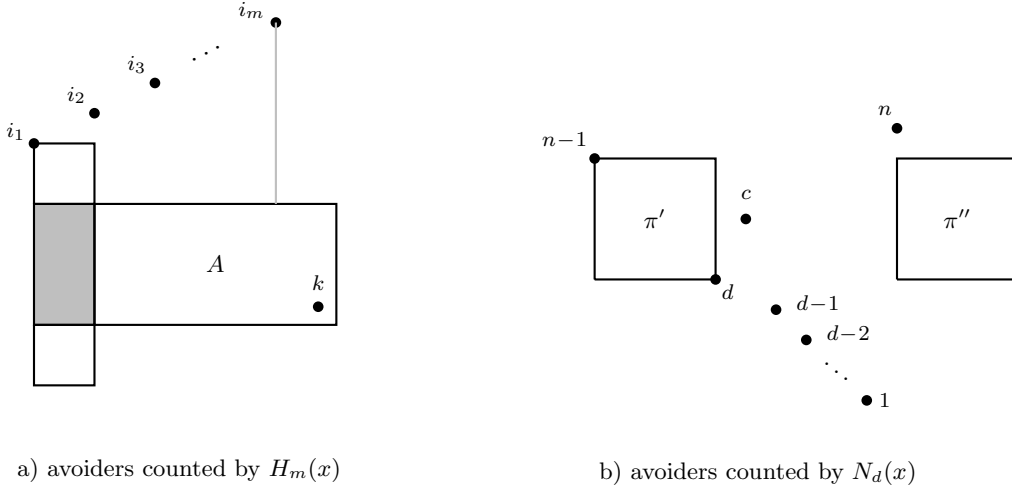


FIGURE 2.  $T$ -avoiders

Deleting the letters in  $A$  after  $i_3$  and before  $k$  and standardizing leaves an avoider counted by  $H_2(x)$ , and the originals can be recovered by placing  $i_3 \dots i_m$  immediately before the last letter,  $k$ , and then inserting 0 or more dots into each of the  $m-2$  interstices between  $i_3, \dots, i_m, k$ . Thus,

$$H_m(x) = \frac{x^{m-2}}{(1-x)^{m-2}} H_2(x).$$

This equation says nothing for  $m=2$  but the same considerations yield

$$H_2(x) = \frac{1}{1-x} M(x),$$

where  $M(x)$  is the generating function for  $T$ -avoiders in  $S_n$  with  $n-1$  in first position and  $n$  in second to last position. To find  $M(x)$ , refine it to  $M_d(x)$ , the generating function for permutations  $\pi = (n-1)\pi' n(d+1) \in S_n(T)$ .

Clearly,  $M_0(x) = x^3 K(x)$ , where  $K(x) := F_{\{132, 3412\}}(x) = \frac{1-2x}{1-3x+x^2}$  [12, Seq. A001519]. For  $d \geq 1$ , the letters  $d, d-1, \dots, 1$  occur in decreasing order (or  $n(d+1)$  is the 43 of a 1243) and there is at

most one letter  $> d$  between  $d$  and 1 (if  $u, v$  are 2 such letters, then  $u < v$  implies  $uv1(d+1)$  is a 3412, while  $u > v$  implies  $duv1$  is a 2431). Now consider whether there is a letter between  $d$  and  $d-1$  or not. If not, the contribution is  $xM_{d-1}(x)$ . Otherwise, there is exactly one such letter, say  $c > d$ , and  $d-1, \dots, 1$  are adjacent so that the permutation has the form in Figure 2b), and we let  $N_d(x)$  denote the generating function for these avoiders, so that  $M_d(x) = xM_{d-1}(x) + N_d(x)$ .

To find  $N_d(x)$  we consider 3 cases according to the position of  $n-2$ .

- $n-2 \in \pi'$ . Here,  $n-2$  must be the leftmost letter in  $\pi'$  and the contribution is  $xN_d(x)$ .
- $c = n-2$ . Here,  $\pi' = \emptyset$  (or  $(n-2)(d-1)(d+1)$  is the 412 of a 3412) and  $\pi''$  avoids both 132 (or 1 is part of a 1243) and 3412. So the contribution is  $x^{d+4}K(x)$ .
- $n-2 \in \pi''$ . Here  $\pi'c >$  the letters between  $n-2$  and  $n$  (or  $(n-2)(d+1)$  is the 41 of a 2431) and are decreasing (or  $c(n-2)$  is the 34 of a 3412). So the contribution is  $x/(1-x)N_d(x)$ .

Hence,  $N_d(x) = xN_d(x) + x/(1-x)N_d(x) + x^{d+4}K(x)$ , leading to

$$N_d(x) = \frac{x^{d+4}(1-x)(1-2x)}{(1-3x+x^2)^2}.$$

From  $M_d(x) = xM_{d-1}(x) + N_d(x)$ , it now follows by induction that

$$M_d(x) = \frac{1-2x}{(1-3x+x^2)^2} x^{d+3} (1 + (d-3)x + (1-d)x^2),$$

and so

$$M(x) = \sum_{d \geq 0} M_d(x) = x^3 \left( \frac{1-2x}{1-3x+x^2} \right)^2.$$

Hence,

$$H(x) = \sum_{m \geq 2} H_m(x) = \frac{1-x}{1-2x} H_2(x) = \frac{1}{1-2x} M(x) = \frac{x^3(1-2x)}{(1-3x+x^2)^2},$$

as required.  $\square$

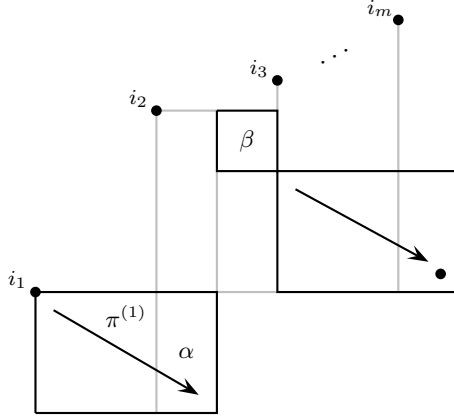
**Lemma 6.** *Let  $L_m(x)$  be the generating function for permutations  $\pi = i_1\pi^{(1)} \dots i_m\pi^{(m)} \in S_n(T)$  with  $m$  left-right maxima such that  $\pi^{(m)}$  has a letter between  $i_1$  and  $i_2$ . Then*

$$\sum_{m \geq 2} L_m(x) = \frac{x^3(1-2x+2x^2-3x^3+x^4)}{(1-x)^4(1-3x+x^2)}.$$

*Proof.* Suppose  $m \geq 3$  and  $\pi = i_1\pi^{(1)} \dots i_m\pi^{(m)} \in S_n(T)$  and that  $\pi^{(m)}$  has a letter between  $i_1$  and  $i_2$ . Then  $\pi^{(3)}\pi^{(4)} \dots \pi^{(m)}$  is both decreasing and  $> i_1$  (or  $i_2i_3$  is the 34 of a 3412) and also  $< i_2$  (or  $i_1i_2i_3$  is the 124 of a 1243). Now let  $\alpha$  denote the subsequence of letters of  $\pi^{(m)}$  that are  $< i_1$  and  $\beta$  those that are  $> i_1$ . Then  $\beta > \pi^{(3)}\pi^{(4)} \dots \pi^{(m)}$  (if  $uv$  is a violator of this inequality,  $i_1ui_3v$  is a 1243),  $\alpha$  lies to the left of  $\beta$  (or  $i_1i_2$  is the 24 of a 2431), and  $\pi^{(1)}\alpha$  is decreasing (or, for  $u \in \pi^{(m)}$ ,  $i_mu$  is the 43 of a 1243). These observations together imply that  $\pi$  has the form shown in Figure 3, where the down arrows indicate decreasing entries and  $\beta$  avoids 132 and 3412. It follows that  $L_m(x) = \frac{x^{m+1}}{(1-x)^m} K(x)$  for  $m \geq 3$ .

To find  $L_2(x)$ , suppose  $\pi = i\pi'n\pi'' \in S_n(T)$  has 2 left-right maxima and  $n-1 \in \pi''$ . Since  $\pi$  avoids 2431,  $\pi''$  can be written as  $\alpha\beta$  such that  $\alpha < i < \beta$  and  $n-1$  belongs to  $\beta$ . If  $\beta$  has a descent then  $\pi'\alpha$  is decreasing ( $\pi$  avoids 1243) and  $\beta$  avoids 132 and 3412. Thus, we have a contribution of  $\frac{x^2}{(1-x)^2}(K(x) - 1/(1-x))$ . Otherwise,  $\beta$  is increasing and, by deleting  $\beta$ , we have a contribution of  $\frac{1}{1-x}L'_2(x)$ , where  $L'_2(x)$  is the generating function for permutations  $(n-2)\pi'n\pi''(n-1) \in S_n(T)$ .




 FIGURE 3. A  $T$ -avoider counted by  $L_m(x)$  when  $m \geq 3$ 

For  $L'_2(x)$ , if  $\pi' = \emptyset$  we have a contribution of  $x^3/(1-x)$ . Otherwise,  $\pi'$  has  $d \geq 1$  letters. Then  $\pi'$  is decreasing (to avoid 1243) say  $\pi' = i_1 i_2 \cdots i_d$ . Since  $\pi$  avoids 2431, we have  $\pi'' = \alpha_d \alpha_{d-1} \cdots \alpha_0$ , where  $\alpha_d < i_d < \alpha_{d-1} < i_{d-1} < \cdots < \alpha_1 < i_1 < \alpha_0$ . Since  $\pi$  avoids 3412, we see that there exists at most one  $j$  such that  $\alpha_j$  is decreasing and, if there is such a  $j$ , then  $\alpha^{(i)} = \emptyset$  for  $i \neq j$ . Thus, by considering whether there is such a  $j$  or not, we have a contribution of  $(d+1)x^{d+4}/(1-x) + x^{d+3}$ . So  $L'_2(x) = x^3/(1-x) + \sum_{d \geq 1} ((d+1)x^{d+4}/(1-x) + x^{d+3}) = x^3/(1-x) + x^4/(1-x)^3$ .

Hence,

$$L_2(x) = \frac{x^2}{(1-x)^2} \left( K(x) - \frac{1}{1-x} \right) + \frac{x^3}{(1-x)^2} + \frac{x^4}{(1-x)^4},$$

and, finally,

$$L(x) = \sum_{m \geq 2} L_m(x) = L_2(x) + \frac{x^4 K(x)}{(1-x)^2(1-2x)},$$

which simplifies to the desired expression.  $\square$

**Theorem 7.** Let  $T = \{1243, 2431, 3412\}$ . Then

$$F_T(x) = \frac{1 - 11x + 51x^2 - 129x^3 + 195x^4 - 183x^5 + 104x^6 - 30x^7 + 3x^8}{(1-x)^4(1-2x)(1-3x+x^2)^2}.$$

*Proof.* Let  $G_m(x)$  be the generating function for  $T$ -avoiders with  $m$  left-right maxima. Clearly,  $G_0(x) = 1$  and  $G_1(x) = xF_T(x)$ .

Now suppose  $\pi = i_1 \pi^{(1)} \cdots i_m \pi^{(m)} \in S_n(T)$  with  $m \geq 2$  and let us find the contributions to  $G_m(x)$ . We have  $\pi^{(s)} < i_2$  for all  $s = 2, 3, \dots, m$  (or  $i_1 i_2 i_s$  is the 124 of a 1243). Consider three cases:

- $\pi^{(m)} = \emptyset$ . For this case we have a contribution of  $xG_{m-1}(x)$ .
- $\pi^{(m)}$  has a letter between  $i_1$  and  $i_2$ . These are the permutations counted by  $L_m(x)$  in Lemma 6.
- $\emptyset \neq \pi^{(m)} < i_1$ . Here, we have  $\pi^{(s)} < i_1$  for all  $s = 2, 3, \dots, m$  (or  $i_1 i_2$  is the 24 of a 2431) and so the permutations are precisely those counted by  $H_m(x)$  in Lemma 5.

Therefore,  $G_m(x) = xG_{m-1}(x) + L_m(x) + H_m(x)$  for all  $m \geq 2$ . Summing over all  $m \geq 2$ ,

$$F_T(x) - 1 - xF_T(x) = x(F_T(x) - 1) + L(x) + H(x),$$

where  $H(x)$  and  $L(x)$  are given by Lemmas 5 and 6, respectively. Solve for  $F_T(x)$ .  $\square$

**3.3. Case 103:**  $\{1423, 2341, 3124\}$ . Let  $G_m(x)$  denote the generating function for  $T$ -avoiders with  $m$  left-right maxima. Clearly,  $G_0(x) = 1$  and  $G_1(x) = xF_T(x)$ . Recall that every nonempty permutation has a unique decomposition into reverse components, and a permutation is reverse indecomposable if it has exactly one reverse component. For example, 564132 has 3 reverse components: 56, 4, 132; and the permutations 1, 12, and 2413 are all reverse indecomposable. Note that all the patterns in  $T$  contain 123.

**Lemma 8.** *If  $\pi \in S_n(T)$  has only 2 left-right maxima, then the first reverse component of  $\pi$  avoids 123.*

*Proof.* It suffices to show that if  $\pi \in S_n(T)$  with 2 left-right maxima contains a 123 pattern, then the minimum 123 pattern  $abc$  (the positions of the letters  $a, b, c$  in  $\pi$  are minimum in lex order) does not lie in the first reverse component. Consider the matrix diagram of  $\pi$  as illustrated in

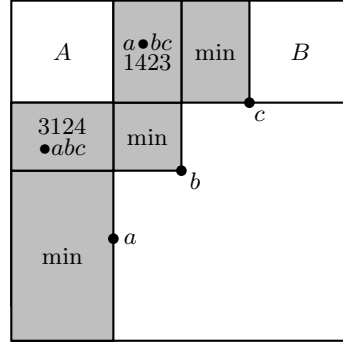


FIGURE 4. A  $T$ -avoider with 2 LR max and a 123

Figure 4, where shaded regions are empty for the reason indicated (min refers to the minimum property of  $abc$ ). If  $a$  is a left-right maximum, then so are  $b$  and  $c$ , violating the hypothesis. Hence,  $a$  is not a left-right maximum, and so  $A \neq \emptyset$ . Also,  $A > B$  (or  $ab$  is the 12 of a 3124). This forces  $A$  to consist of a square block at the upper left of the diagram and we are done.  $\square$

**Lemma 9.** *We have*

$$G_2(x) = (xC(x) - x)F_T(x).$$

*Proof.* Suppose  $\pi \in S_n(T)$  has 2 left-right maxima. The first reverse component of  $\pi$  has length  $\geq 2$  and, from Lemma 8, avoids 123. The rest of  $\pi$  is an arbitrary  $T$ -avoider and so  $G_2(x) = R(x)F_T(x)$ , where  $R(x)$  is the generating function for reverse indecomposable 123-avoiders of length  $\geq 2$ . We have  $R(x) = xC(x) - x$ : given the matrix diagram of a reverse indecomposable  $\{123\}$ -avoider  $\pi$  of length  $n$ , the map “form lattice path from  $(0, n)$  to  $(n, 0)$  enclosing the right-left maxima of  $\pi$ ” is a bijection to indecomposable Dyck paths, whose enumeration is well known.  $\square$

**Lemma 10.** *We have*

$$G_3(x) = \frac{x^3}{(1-x)^5}, \text{ and}$$

$$\sum_{m \geq 4} G_m(x) = \frac{1}{1-t-t^3} - 1 - t - t^2 - 2t^3 - 2t^4,$$

where  $t = x/(1-x)$ .

*Proof.* Suppose  $\pi = i_1\pi^{(1)}i_2\pi^{(2)} \dots i_m\pi^{(m)} \in S_n(T)$  has  $m \geq 3$  left-right maxima. We have  $\pi^{(s)} > i_{s-2}$  for  $s = 3, 4, \dots, m$  since  $u \in \pi^{(s)}$  with  $u < i_{s-2}$  makes  $i_{s-2}i_{s-1}i_s u$  a 2341. Also,  $\pi^{(s)}$  is decreasing for all  $s$  (a violator  $uv$  makes  $i_s u v i_{s+1}$  a 3124 for  $s = 1, 2, \dots, m-1$  and  $i_{m-2}i_m u v$  a 1423 for  $s = m$ ). So  $\pi$  has the form illustrated for  $m = 4$  in Figure 5a), where the down arrows indicate decreasing entries. Moreover,  $\alpha_s \beta_{s+1}$  is decreasing for all  $s$  (a violator  $uv$  makes  $i_s u v i_{s+2}$  a 3124 for  $s = 1, 2, \dots, m-2$  and  $i_{s-1}i_s u v$  a 1423 for  $s = 2, 3, \dots, m-1$ , covering all cases) and so  $\pi$  decomposes further as in Figure 5b).

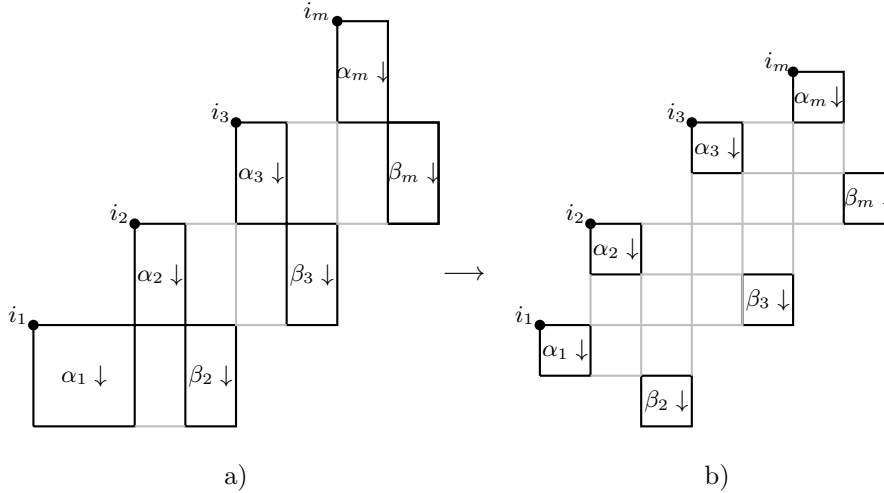


FIGURE 5. A  $T$ -avoider with  $m \geq 3$  LR max

If  $m = 3$ , there are no further restrictions and so there are 5 boxes to be filled each with an arbitrary number of dots, and  $G_3(x) = \frac{x^3}{(1-x)^5}$  as required.

But if  $m \geq 4$ , there is one more restriction: no two consecutively-indexed  $\beta$ 's, say  $\beta_s$  and  $\beta_{s+1}$ , are both nonempty ( $u \in \beta_s$  and  $v \in \beta_{s+1}$  makes  $i_{s-2}i_s u v$  a 1423 for  $s = 3, 4, \dots, m-1$  and  $i_s u v i_m$  a 3124 for  $s = 2, 3, \dots, m-2$ ; note that neither condition says anything when  $m = 3$ ). The contribution with  $k$  nonempty  $\beta$ 's is  $x^{m+k}/(1-x)^{m-k}$ . A specification of empty/nonempty for each  $\beta$  corresponds to a binary string  $w_1 w_2 \dots w_m$  with  $w_1 = 0$  and  $w_s = 1$  if and only if  $\beta_s \neq \emptyset$  for  $s \geq 1$ . Let  $H_m(t)$  denote the generating function for binary strings  $w_1 w_2 \dots w_m$  with first bit 0 and no two consecutive 1's, where  $t$  marks number of 1's. Then  $G_m(x) = \left(\frac{x}{1-x}\right)^m H_m\left(\frac{x}{1-x}\right)$  for  $m \geq 4$ .

To find  $\sum_{m \geq 4} G_m(x)$ , set  $H(t, y) = \sum_{m \geq 1} H_m(t) y^m$ . We have the recurrence  $H_m(t) = H_{m-1}(t) + t H_{m-2}(t)$  for  $m \geq 3$  with initial conditions  $H_1(t) = 1$  and  $H_2(t) = 1 + t$ . It follows routinely that

$H(t, y) = y(1 + ty)/(1 - y - ty^2)$ . Now, with  $t := x/(1 - x)$ ,  $\sum_{m \geq 4} G_m(x) = \sum_{m \geq 4} t^m H_m(t) = H(t, t) - \sum_{m=1}^3 t^m H_m(t)$ , which simplifies to the stated expression.  $\square$

Lemmas 9 and 10 now give an expression for the right side in the identity  $F_T(x) = \sum_{m \geq 0} G_m(x)$ . Solving for  $F_T(x)$  yields the following result.

**Theorem 11.** *Let  $T = \{1423, 2341, 3124\}$ . Then*

$$F_T(x) = \frac{1 - 9x + 35x^2 - 77x^3 + 107x^4 - 97x^5 + 55x^6 - 17x^7 + x^8}{(1 - x)^5(1 - 4x + 5x^2 - 3x^3)} C(x).$$

**3.4. Case 106:**  $\{1342, 2143, 3412\}$ . We consider  $G_m(x)$ , the generating function for  $T$ -avoiders with  $m$  left-right maxima. Most of the work is in finding  $G_2(x)$ .

**Lemma 12.** *Suppose  $\pi = \pi_1 \pi_2 \cdots \pi_n$  is a  $T$ -avoider. Then  $\pi$  has exactly 2 left-right maxima if and only if  $\pi_1 = n - 1$  or  $\pi_2 = n$  or both.*

*Proof.* If  $\pi$  has exactly 2 left-right maxima but neither of the conditions holds, then  $n - 1$  occurs after  $n$  and  $\pi_1 \pi_2 n(n - 1)$  is a 2143. The other direction is clear.  $\square$

Define  $H(x)$  to be the generating function for permutations  $\pi \in S_n(T)$  with  $\pi_1 = n - 1$ .

**Lemma 13.** *We have*

$$H(x) = \frac{x^2(x^2 + (1 - x)^3 F_T(x))}{(1 - x)^4}.$$

*Proof.* Refine  $H(x)$  to  $H_d(x)$ , the generating function for permutations  $\pi = (n - 1)\pi' n \pi'' \in S_n(T)$  such that  $\pi''$  has exactly  $d$  letters. Clearly,  $H_0(x) = x^2 F_T(x)$ . For  $d \geq 1$ , say  $\pi'' = j_1 j_2 \cdots j_d$ . Then the  $j$ 's are decreasing (or  $(n - 1)n$  is the 34 of a 3412) and  $\pi$  has the form shown in Figure 6, where

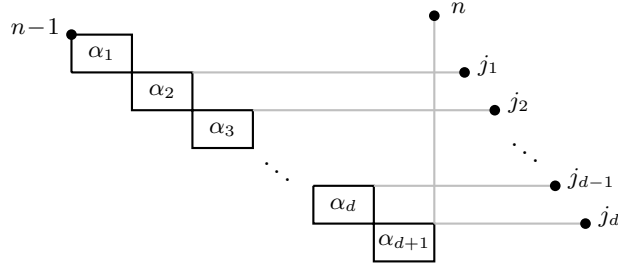


FIGURE 6. A  $T$ -avoider with first entry  $n - 1$  and  $n$  not the last entry

$\alpha_s$  lies to the left of  $\alpha_{s+1}$  for all  $s$  (a violator  $uv$  makes  $uvnj_s$  a 1342) and  $\alpha^{(2)} \cdots \alpha^{(d)} \alpha^{(d+1)}$  is increasing (a violator  $uv$  makes  $uvnj_1$  a 2143). So, in particular, at most one of  $\alpha^{(2)}, \dots, \alpha^{(d)}, \alpha^{(d+1)}$  is nonempty. Two cases:

- $\alpha_1$  has an ascent. Here  $\alpha_2 = \cdots = \alpha_d = \alpha_{d+1} = \emptyset$  (take  $ab$  in  $\alpha_1$  with  $a < b$ , then  $u \in \alpha_2 \cdots \alpha_d \alpha_{d+1}$  makes  $abu j_1$  a 3412), and the contribution is

$$x^{d+2} \left( F_T(x) - \frac{1}{1 - x} \right).$$

- $\alpha_1$  is decreasing. Here, the contributions are  $x^{d+2} \frac{1}{1-x}$  (for  $\alpha_2, \dots, \alpha_d, \alpha_{d+1}$  all empty) and  $dx^{d+2} \frac{x}{(1-x)^2}$  (for one of  $\alpha_2, \dots, \alpha_d, \alpha_{d+1}$  nonempty).

Therefore,

$$H_d(x) = x^{d+2} \left( F_T(x) - \frac{1}{1-x} \right) + x^{d+2} \left( \frac{1}{1-x} + d \frac{x}{(1-x)^2} \right)$$

for all  $d \geq 1$ . Since  $H(x) = \sum_{d \geq 0} H_d(x)$ , the result follows by summing over  $d$ .  $\square$

Now define  $J(x)$  to be the generating function for permutations  $\pi \in S_n(T)$  with  $\pi_2 = n$ .

**Lemma 14.** *We have*

$$J(x) = \frac{x^2(1-2x)}{(1-x)(1-3x)}.$$

*Proof.* Refine  $J(x)$ , to  $J_d(x)$ , the generating function for permutations  $\pi = (d+1)n\pi' \in S_n(T)$ ,  $d \geq 0$ . If  $d = 0$  so that  $\pi_1 = 1$ , then  $\pi'$  avoids 231 (or else  $\pi_1$  is the “1” of a 1342). Hence  $J_0(x) = x^2 K(x)$  where  $K(x) = \frac{1-2x}{1-3x+x^2}$  is the generating function for {231, 2143} avoiders [12, Seq. A001519]. Now suppose  $d \geq 1$ . The letters  $\leq d$  are decreasing in  $\pi$  (else  $(d+1)n$  forms the 34 of a 3412).

The contribution for  $n = d+2$  is  $x^{d+2}$  since, here,  $\pi_1 = d+1$  and  $\pi_2 = d+2$ . So suppose  $n > d+2$ . Then  $\pi$  has the form shown in Figure 7, where  $n-1$  occurs in one of the  $\alpha$ 's. We consider three

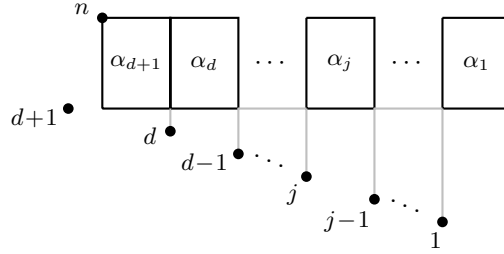


FIGURE 7. A  $T$ -avoider with second entry  $n$

cases according to the position of  $n-1$ :

- $n-1$  does not lie in  $\alpha_{d+1}$ . Say  $n-1 \in \alpha_j$   $1 \leq j \leq d$ . Here,  $n-1$  is the last entry in  $\alpha_j$  and all  $\alpha$ 's to the right of  $\alpha_j$  are empty (or else  $(d+1)d(n-1)$  is the 214 of a 2143). Thus  $\pi$  ends with  $(n-1)(j-1)(j-2) \cdots 1$ . Deleting these entries, we get a contribution of  $x^j J_{d-(j-1)}$ .
- $n-1$  lies in  $\alpha_{d+1}$  and there is a letter  $> d+1$  on the right of  $n-1$ . Here,  $\pi$  has the form shown in Figure 8, where  $\alpha < \beta$  ( $a \in \alpha$  and  $b \in \beta$  with  $a > b$  makes  $(d+1)a(n-1)b$  a 1342) and  $\alpha$  is increasing ( $a_1 a_2$  in  $\alpha$  with  $a_1 > a_2$  makes  $a_1 a_2 (n-1) b$  a 2143 for any  $b \in \beta$ ). Deleting  $\alpha$  and  $n-1$ , the contribution is

$$\frac{x}{1-x} (J_d(x) - x^{d+2})$$

since  $J_d(x)$  allows for  $\beta = \emptyset$  and we must correct for the overcount.

- $n-1$  lies in  $\alpha_{d+1}$  and there is no letter  $> d+1$  on the right of  $n-1$ . Here,  $\pi$  has the form  $(d+1)n\alpha(n-1)d(d-1) \cdots 1$  where  $\alpha$  avoids 231 (or  $d+1$  is the “1” of a 1342). So the contribution is  $x^{d+3} K(x)$  where, again,  $K(x) = F_{\{231, 2143\}}(x)$ .

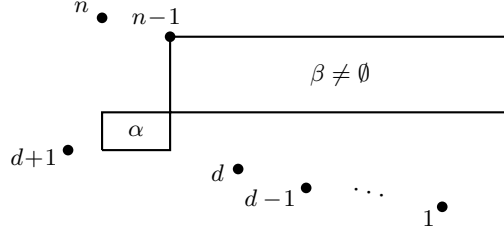


FIGURE 8. A  $T$ -avoider with  $\pi_1 = d + 1$ ,  $\pi_2 = n$  and  $n - 1$  before  $d$

Thus, for  $d \geq 1$ ,

$$J_d(x) = x^{d+2} + \sum_{j=1}^d x^j J_{d+1-j}(x) + \frac{x}{1-x} (J_d(x) - x^{d+2}) + x^{d+3} K(x),$$

Since  $J(x) = \sum_{d \geq 0} J_d(x)$  and  $J_0(x) = x^2 K(x)$ , summing over  $d \geq 1$  yields

$$J(x) - x^2 K(x) = \frac{x^3}{1-x} + \frac{2x}{1-x} (J(x) - x^2 K(x)) - \frac{x^4}{(1-x)^2} + \frac{x^4}{1-x} K(x).$$

The result follows by solving for  $J(x)$ . □

**Theorem 15.** Let  $T = \{1342, 2143, 3412\}$ . Then

$$F_T(x) = \frac{(1-2x)(1-6x+12x^2-9x^3+4x^4)}{(1-x)^3(1-3x)(1-3x+x^2)}.$$

*Proof.* Let  $G_m(x)$  be the generating function for  $T$ -avoiders with  $m$  left-right maxima. Clearly,  $G_0(x) = 1$  and  $G_1(x) = xF_T(x)$ . From Lemmas 13 and 14, we have  $G_2(x) = H(x) + J(x) - \frac{x^2}{1-x}$  because the  $T$ -avoiders  $\pi \in S_n$  with  $\pi_1 = n - 1$  and  $\pi_2 = n$  are counted by both  $H(x)$  and  $J(x)$ . Now suppose  $m \geq 3$ . Then  $\pi$  has the form illustrated in Figure 9, where the shaded region is

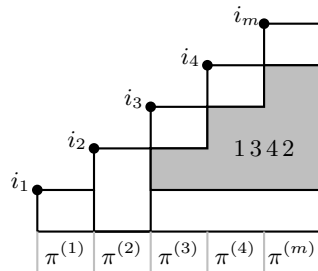


FIGURE 9. A  $T$ -avoider with  $m \geq 3$  left-right maxima

empty to avoid the indicated pattern. Three cases:

- $\pi^{(m)} = \emptyset$ . Here, the contribution is  $xG_{m-1}(x)$ .
- $\pi^{(m)} \neq \emptyset$  and  $\pi^{(m)}$  has a letter in the interval  $[i_{m-1}, i_m]$ . Here,  $\pi^{(1)}, \pi^{(2)}, \dots, \pi^{(m-1)}$  are all empty (or  $i_m$  is the 4 of a 2143). So  $i_1, \dots, i_{m-1}$  are in consecutive positions; deleting

$i_1, \dots, i_{m-2}$  and standardizing leaves an avoider with  $\pi_2 = n$  and  $\pi_1 \neq n-1$ , counted by  $J(x) - \frac{x^2}{1-x}$ . Thus, the contribution is

$$x^{m-2} \left( J(x) - \frac{x^2}{1-x} \right).$$

- $\pi^{(m)} \neq \emptyset$  and  $\pi^{(m)}$  has no letter in the interval  $[i_{m-1}, i_m]$ . Here,  $i_1 \pi^{(1)} \dots i_{m-1} \pi^{(m-1)} > \pi^{(m)}$  since for  $v \in \pi^{(m)}$  and  $u \in \pi^{(s)}$  with  $1 \leq s \leq m-2$ ,  $u < v$  makes  $ui_{m-1}i_mv$  a 1342, while  $u \in i_{m-1}$  and  $u < v$  makes  $i_{m-2}i_{m-1}uv$  a 3412. So the contribution is

$$\frac{x^2}{1-x} G_{m-1}(x).$$

Adding the three contributions, we have, for  $m \geq 3$ ,

$$G_m(x) = \frac{x}{1-x} G_{m-1}(x) + x^{m-2} \left( J(x) - \frac{x^2}{1-x} \right).$$

Summing over  $m \geq 3$ , we obtain

$$F_T(x) - G_0(x) - G_1(x) - G_2(x) = \frac{x}{1-x} (F_T(x) - G_0(x) - G_1(x)) + \frac{x}{1-x} \left( J(x) - \frac{x^2}{1-x} \right).$$

Substitute for  $G_0(x), G_1(x), G_2(x), J(x)$ , and solve for  $F_T(x)$  to complete the proof.  $\square$

**3.5. Case 118:** {1423, 1234, 3412}. We deal with right-left maxima and begin with the case where they are contiguous. For  $m \geq 1$ , define  $J_m = J_m(x)$  to be the generating function for  $T$ -avoiders of the form  $\pi i_m i_{m-1} \dots i_1 \in S_n$  with  $m$  contiguous right-left maxima  $n = i_m > i_{m-1} > \dots > i_1 \geq 1$ , and set  $J_0 = 1$ .

**Proposition 16.** For  $m \geq 2$ ,

$$J_m = xJ_m + (2x - x^2)J_{m-1} - x^2J_{m-2} + \frac{x^{m+2}}{(1-x)^{m-1}(1-2x)} + \frac{x^{m+3}}{(1-x)^2(1-2x)}.$$

*Proof.* Let  $\pi = \pi' i_m i_{m-1} \dots i_1 \in S_n(T)$  be an avoider counted by  $J_m$ .

If  $i_1 = 1$ , the contribution is  $xJ_{m-1}$ .

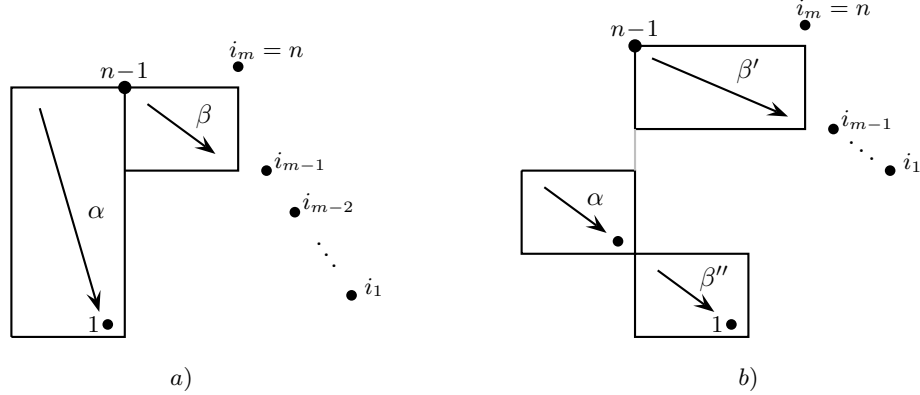
If  $i_1 > 1$  and  $i_{m-1} = n-1$ , the contribution is  $xJ_{m-1} - x^2J_{m-2}$  (needs  $J_0 = 1$  when  $m = 2$ ).

Now suppose  $i_1 > 1$  and  $i_{m-1} < n-1$  so that  $\pi$  has the form  $\pi = \alpha(n-1)\beta i_m i_{m-1} \dots i_1$  with  $n = i_m > n-1 > i_{m-1} > \dots > i_1 > 1$ , where  $\alpha$  is decreasing (or  $(n-1)n$  is the 34 of a 1234).

If  $\alpha = \emptyset$ , the contribution is  $x(J_m - xJ_{m-1})$ . Otherwise, we count by the position of 1.

- $1 \in \alpha$ . Here,  $\pi$  has the form in Figure 10a), where the down arrows indicate decreasing and the bullets indicate mandatory entries;  $\beta > i_{m-1}$  since  $b \in \beta$  with  $b < i_{m-1}$  makes  $1(n-1)bi_{m-1}$  a 1423, and  $\beta$  is decreasing (or  $1n$  is the 14 of a 1234). This reduces matters to a balls-in-boxes problem and the contribution is  $\frac{x^{m+2}}{(1-x)^{m-1}(1-2x)}$ .
- $1 \in \beta$ . Here,  $\pi$  has the form in Figure 10b) where  $\beta'$  denote the letters  $> i_1$  in  $\beta$ , and  $\beta''$  the letters  $< i_1$  in  $\beta$ . Note that  $\alpha < i_1$  since  $a \in \alpha$ ,  $a > i_1$  makes  $a(n-1)i_1$  a 3412, and  $\alpha > \beta''$  since a violator  $ab$  makes  $a(n-1)bi_1$  a 1423. Also,  $\beta' > i_{m-1}$  since  $a \in \alpha$  and  $b \in \beta'$  with  $b < i_{m-1}$  makes  $a(n-1)bi_{m-1}$  a 1423. Again, this is a balls-in-boxes problem and the contribution is  $\frac{x^{m+3}}{(1-x)^2(1-2x)}$ .

The result now follows by summing contributions.  $\square$

FIGURE 10. A  $T$ -avoider with  $i_1 > 1$  and  $i_{m-1} < n-1$  and  $\alpha \neq \emptyset$ 

**Corollary 17.**

$$\sum_{m \geq 2} J_m = \frac{x^2(1 - 7x + 22x^2 - 35x^3 + 29x^4 - 13x^5)}{(1-x)^4(1-2x)^3}.$$

*Proof.* Define  $J = \sum_{m \geq 0} J_m$ . Summing the recurrence of Proposition 16 over  $m \geq 2$  yields

$$J - J_0 - J_1 = (3x - 2x^2)J - xJ_1 - (3x - x^2)J_0 + \frac{x^4}{(1-2x)^2} + \frac{x^5}{(1-x)^3(1-2x)}.$$

Recall  $J_0 = 1$ . Clearly,  $J_1 = xF_{\{123,3412\}}(x)$ , and  $F_{\{123,3412\}}(x) = 1 + \frac{x(1-4x+7x^2-5x^3+2x^4)}{(1-x)^4(1-2x)}$  [1]. The result follows by solving for  $J$  and computing  $J - J_0 - J_1$ .  $\square$

**Theorem 18.** Let  $T = \{1423, 1234, 3412\}$ . Then

$$F_T(x) = \frac{1 - 12x + 64x^2 - 198x^3 + 393x^4 - 521x^5 + 463x^6 - 269x^7 + 95x^8 - 17x^9}{(1-x)^7(1-2x)^3}.$$

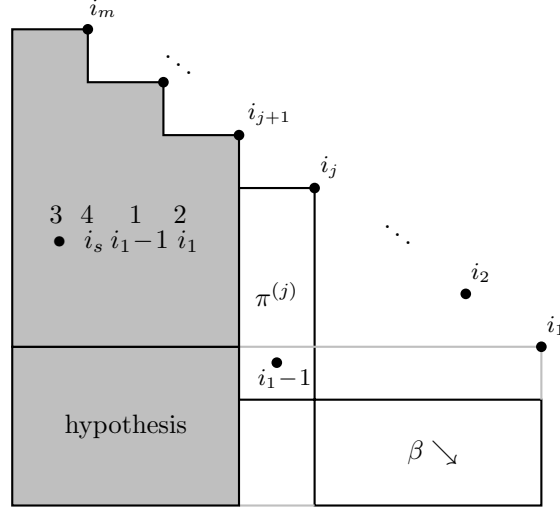
*Proof.* Let  $G_m(x)$  be the generating function for  $T$ -avoiders with  $m$  right-left maxima. Clearly,  $G_0(x) = 1$  and  $G_1(x) = xF_T(x)$ . To find an equation for  $G_m(x)$  with  $m \geq 2$ , suppose  $\pi = \pi^{(m)}i_m\pi^{(m-1)}i_{m-1}\cdots\pi^{(1)}i_1 \in S_n(T)$  with  $m \geq 2$  right-left maxima. If  $i_1 = 1$ , we have a contribution of  $xG_{m-1}(x)$ . Otherwise, there is a maximal  $j \in [1, m]$  such that  $\pi^{(j)}$  has a smaller letter than  $i_1$ .

If  $j = 1$ , then  $\pi^{(m)} = \pi^{(m-1)} = \cdots = \pi^{(2)} = \emptyset$  (or  $(i_1-1)i_1$  is the 12 of a 3412) and the contribution is  $x^m(F_{\{123,3412\}}(x) - 1)$ .

If  $j \geq 2$ , then  $\pi$  has the form in Figure 11, where shaded regions are empty for the reason indicated and  $\pi^{(j)} > \beta := \pi^{(j-1)}\cdots\pi^{(2)}\pi^{(1)}$  since  $a \in \alpha$ ,  $b \in \beta_s$  with  $a < b$  implies  $ai_jbi_s$  is a 1423. Hence,  $i_1 - 1 \in \pi^{(j)}$  since  $\pi^{(j)}$  contains a letter  $< i_1$ . Also,  $\beta$  is decreasing (or  $(i_1-1)i_j$  is the 34 of a 3412).

Now, if  $\beta = \emptyset$ , the contribution is  $x^{m-j}(J_j - xJ_{j-1})$ , observing that  $J_j$  is an overcount because  $\alpha := \{\text{letters } < i_1 \text{ in } \pi^{(j)}\}$  is required to be nonempty.




 FIGURE 11. A  $T$ -avoider with  $m$  RL max,  $i_1 \geq 2$ , and  $j \geq 2$ 

On the other hand, if  $\beta \neq \emptyset$ , then  $\pi^{(j)} < i_1$  ( $a \in \pi^{(j)}$  with  $a > i_1$  and  $b \in \beta$  makes  $ai_jbi_1$  a 3412). So  $\pi^{(j)}$  contributes  $F_{\{123,3412\}}(x) - 1$  and  $\beta$  contributes  $\frac{1}{(1-x)^{j-1}} - 1$  for an overall contribution of  $x^m \left( \frac{1}{(1-x)^{j-1}} - 1 \right) (F_{\{123,3412\}}(x) - 1)$ .

We have shown that, for fixed  $j \in [2, m]$ , the contribution to  $G_m(x)$  is

$$x^{m-j} \left( J_j(x) - xJ_{j-1}(x) + x^j \left( \frac{1}{(1-x)^{j-1}} - 1 \right) (K-1) \right),$$

where  $K = F_{\{123,3412\}}(x)$ . Thus, for  $m \geq 2$ ,

$$G_m(x) = xG_{m-1}(x) + \sum_{j=2}^m x^{m-j} \left( J_j(x) - xJ_{j-1}(x) + x^j \left( \frac{1}{(1-x)^{j-1}} - 1 \right) (K-1) \right) + x^m (K-1).$$

Summing over  $m \geq 2$ ,

$$\begin{aligned} F_T(x) - 1 - G_1(x) &= x(F_T(x) - 1) + \frac{x^2}{1-x} (K-1) \\ &\quad + \sum_{m \geq 2} J_m(x) - \frac{x}{1-x} J_1(x) + \sum_{m \geq 2} x^m \sum_{j=1}^{m-1} \left( \frac{1}{(1-x)^j - 1} \right) (K-1). \end{aligned}$$

Substitute  $x F_T(x)$  for  $G_1(x)$ , evaluate the first sum using Corollary 17, the second sum by computer algebra, and solve for  $F_T(x)$  using the expressions for  $J_1$  and  $K$  to complete the proof.  $\square$

**3.6. Case 130:**  $T = \{1342, 3124, 3412\}$ . We deal with left-right maxima and begin with the case  $\pi_2 = n$ . So let  $H = H(x)$  be the generating function for  $T$ -avoiders of the form  $\pi = in\pi' \in S_n$ .

**Lemma 19.**

$$H = \frac{x^2(x^2 - 3x + 1)}{(1-x)(1-4x+2x^2)}.$$

*Proof.* Suppose  $\pi = in\pi' \in S_n(T)$ . If  $i = n - 1$ , then  $\pi'$  is decreasing (to avoid 3412) and the contribution is  $\frac{x^2}{1-x}$ .

If  $i < n - 1$ , then  $\pi = in\alpha(n-1)\beta$  decomposes as in Figure 12a) where  $\alpha_1 < \beta_1$  (1342) and  $\alpha_2 > \beta_2$  since, in fact,  $\alpha_2\beta_2$  is decreasing (3412).

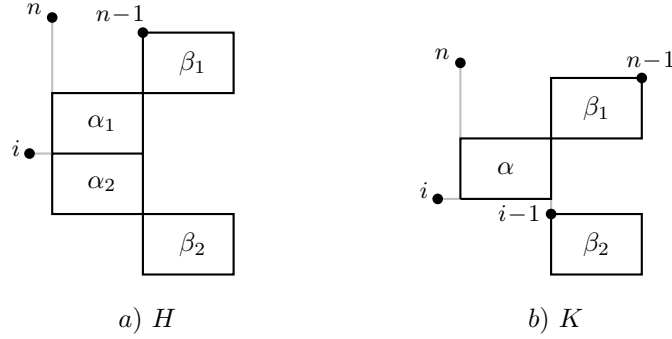


FIGURE 12.  $T$ -avoiders counted by  $H$  and  $K$

Now  $\pi$  can be recovered from  $\text{St}(in\alpha(n-1))$  and  $\text{St}(in\beta)$ , and  $in\beta$  is counted by  $H$ . Thus, the contribution is  $\frac{KH}{x^2}$ , where  $K$  is the generating function for  $T$ -avoiders  $\pi \in S_n$  with  $\pi_2 = n$  and  $\pi_n = n - 1$ .

To find  $K$ , suppose  $in\alpha(n-1) \in S_n(T)$ . If  $i = 1$ , then  $\alpha$  avoids 231 and 312, and the contribution is  $x^3L$  where  $L = L(x) = F_{\{231,132\}}(x) = \frac{1-x}{1-2x}$  [11]. If  $i > 1$ , then  $\pi = in\alpha(i-1)\beta(n-1)$  decomposes as in Figure 12b) since all letters  $< i$  in  $\pi$  are decreasing (3412) and  $\alpha < \beta_1$  (1342). Also,  $\alpha$  avoids 231 and 312. The contribution is then  $xLK$  since  $in\beta(n-1)$  is counted by  $K$ . Hence,  $K = x^3L + xLK$ , yielding  $K = \frac{x^3(1-x)}{1-3x+x^2}$ .

We have shown that  $H = \frac{x^2}{1-x} + \frac{KH}{x^2}$ . Substitute for  $K$  and solve for  $H$  to obtain the result.  $\square$

**Theorem 20.** Let  $T = \{1342, 3124, 3412\}$ . Then

$$F_T(x) = \frac{1 - 9x + 32x^2 - 58x^3 + 58x^4 - 33x^5 + 8x^6}{(1-x)^4(1-2x)(1-4x+2x^2)}.$$

*Proof.* Let  $G_m(x)$  be the generating function for  $T$ -avoiders with  $m$  left-right maxima. Clearly,  $G_0(x) = 1$  and  $G_1(x) = xF_T(x)$ .

To find a formula for  $G_2(x)$ , suppose  $\pi = i\pi'n\pi'' \in S_n(T)$  with 2 left-right maxima. Then  $\pi$  decomposes as in Figure 13a), where  $\alpha$  and  $\beta_2$  are decreasing for the reason indicated. If  $\alpha\beta_2$  is decreasing, then we have Figure 13b), where  $in\beta$  is counted by  $H$  and so the contribution is  $\frac{1}{1-x}H$ . Otherwise, the smallest letter  $a$  in  $\alpha$  is less than the smallest letter  $b$  in  $\beta_2$  and  $\pi$  decomposes as in Figure 13c), where  $\beta_1$  is decreasing (or  $ab$  is the 12 of a 1342) and  $\beta_1$  lies to the left of  $\beta_2$  (or  $iab$  is the 312 of a 3124). Here,  $\alpha\beta_2$  contributes  $\frac{1}{1-2x} - \frac{1}{(1-x)^2}$  where  $\frac{1}{1-2x}$  counts placements of letters in 2 boxes and  $-\frac{1}{(1-x)^2}$  corrects the overcount of decreasing letters in 2 boxes. Hence the contribution is

$$\frac{x^2}{1-x} \left( \frac{1}{1-2x} - \frac{1}{(1-x)^2} \right),$$

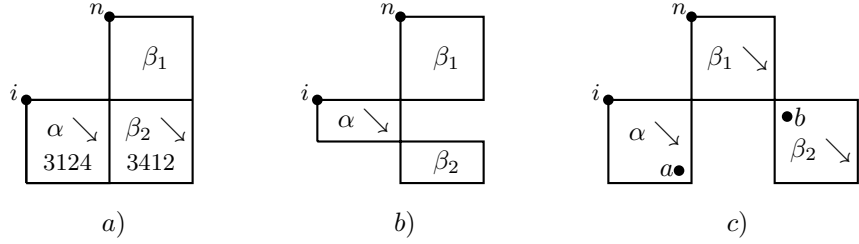


FIGURE 13.  $T$ -avoiders with 2 left-right maxima

and the result follows by adding the two contributions.

To find  $G_m(x)$  with  $m \geq 3$ , let  $\pi = i_1\pi^{(1)} \dots i_m\pi^{(m)} \in S_n(T)$  with  $m \geq 3$  left-right maxima. Since  $\pi$  avoids 3124, we see that  $\pi^{(s)}$  is decreasing for  $s = 1, 2, \dots, m - 1$ . Since  $\pi$  avoids 3412, all the letters that are smaller than  $i_1$  in  $\pi$  are decreasing. Since  $\pi$  avoids 1342, the letters that are greater than  $i_1$  in  $\pi^{(s)}$  are  $> i_{s-1}$  for  $s = 3, 4, \dots, m$ . Thus,  $\pi$  decomposes as in Figure 14, where there are

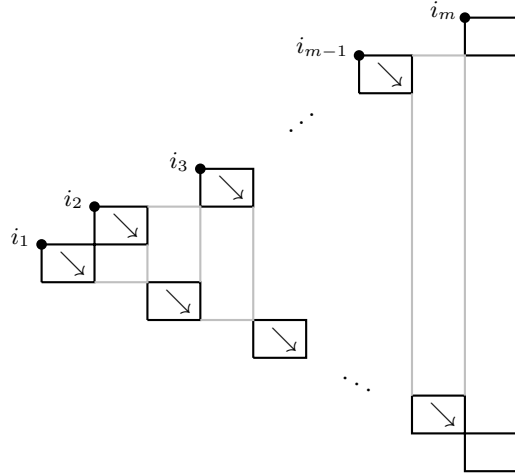


FIGURE 14. A  $T$ -avoider with  $m \geq 3$  left-right maxima

$2m - 3$  independently decreasing regions as indicated by the down arrows, and  $i_1 i_m \pi^{(m)}$  is counted by  $H$ . Thus

$$G_m(x) = \frac{x^{m-2}}{(1-x)^{2m-3}} H.$$

Summing over  $m \geq 3$ , we obtain

$$F_T(x) - G_0(x) - G_1(x) - G_2(x) = \frac{xH}{(1-x)(1-3x+x^2)}.$$

Substitute for  $H$ ,  $G_0(x)$ ,  $G_1(x)$  and  $G_2(x)$ , and then solve for  $F_T(x)$  to complete the proof.  $\square$

**3.7. Case 131:**  $\{2134, 1423, 2341\}$ . We focus on the first two letters of an avoider. Set  $a(n) = |S_n(T)|$  and define  $a(n; i_1, i_2, \dots, i_m)$  to be the number of permutations  $\pi = \pi_1\pi_2 \cdots \pi_n$  in  $S_n(T)$  such that  $\pi_1\pi_2 \cdots \pi_m = i_1i_2 \cdots i_m$ . Clearly,  $a(n; 1) = |S_{n-1}(\{312, 2134, 2341\})|$ . Let  $g(x) = \sum_{n \geq 0} a(n; 1)x^n$  and  $\ell_i = |S_i(\{213, 1423, 2341\})|$ . It is known [1] that  $g(x) = \frac{x^4 - x^3 + 4x^2 - 3x + 1}{(1-x)^4}$  and that  $\ell_i = 2^i - i$ . Set  $b(n; i) = a(n; i, n-1)$  and  $b'(n; i) = a(n; i, n)$ . We have the following recurrences (proof omitted).

**Lemma 21.** *We have  $\ell_i = |S_i(\{213, 1423, 2341\})| = 2^i - i$ . Then*

$$a(n; i, j) = a(n-1; i, j), \quad \text{if } 2 \leq i < j \leq n-2,$$

$$a(n; i, j) = a(n-1; i, j) + \sum_{k=1}^{j-1} a(n-1; j, k), \quad \text{if } 1 \leq j < i \leq n-1 \text{ and } (i, j) \neq (n-1, 1),$$

$$a(n; n, i) = a(n-1; i), \quad \text{if } 1 \leq i \leq n-1,$$

$$b(n; i) = b(n-1; i) + \ell_{i-1}, \quad 1 \leq i \leq n-2,$$

$$b'(n; i) = b'(n-1; i) + \sum_{j=1}^{i-1} a(n-1; i, j), \quad 1 \leq i \leq n-1,$$

$$a(n; n-1, n) = a(n-2),$$

$$a(n; n-1, 1) = a(n-1; 1). \quad \square$$

Define  $a'(n; i) = \sum_{j=1}^{i-1} a(n; i, j)$  and  $a''(n; i) = \sum_{j=i+1}^n a(n; i, j)$ . Define

$$\begin{aligned} B_n(v) &= \sum_{i=1}^{n-2} b(n; i)v^{i-1}, & B'_n(v) &= \sum_{i=1}^{n-1} b'(n; i)v^{i-1}, \\ A'_n(v) &= \sum_{i=1}^n a'(n; i)v^{i-1}, & A''_n(v) &= \sum_{i=1}^n a''(n; i)v^{i-1}, \\ A_n(v) &= \sum_{i=1}^n a(n; i)v^{i-1}. \end{aligned}$$

Define generating functions  $B(x, v) = \sum_{n \geq 2} B_n(v)x^n$ ,  $B'(x, v) = \sum_{n \geq 2} B'_n(v)x^n$ ,  $A(x, v) = 1 + x + \sum_{n \geq 2} A_n(v)x^n$ ,  $A'(x, v) = \sum_{n \geq 2} A'_n(v)x^n$  and  $A''(x, v) = \sum_{n \geq 2} A''_n(v)x^n$ .

**Lemma 22.** *We have*

$$\begin{aligned} B(x, v) &= \frac{(3v^2x^2 - 3vx + 1)x^3}{(1-x)^2(1-vx)^2(1-2vx)}, \text{ and} \\ B'(x, v) &= \frac{x^2}{1-x} + \frac{x}{1-x}A'(x, v). \end{aligned}$$

*Proof.* By Lemma 21,

$$b'(n; i) = a'(n-1; i) + b'(n-1; i), \quad 1 \leq i \leq n-1.$$

Multiplying by  $v^{i-1}$  and summing over  $i = 1, 2, \dots, n-1$ ,

$$B'_n(v) = A'_{n-1}(v) + B'_{n-1}(v)$$

with  $B'_2(v) = 1$ . Thus, the generating function for  $B'_n(v)$  satisfies  $B'(x, v) - x^2 = xA'(x, v) + xB'(x, v)$ , which leads to  $B'(x, v) = \frac{x^2}{1-x} + \frac{x}{1-x}A'(x, v)$ .

Also by Lemma 21,

$$b(n; i) = b(n-1; i) + \ell_{i-1}, \quad 1 \leq i \leq n-2.$$

Multiplying by  $v^{i-1}$  and summing over  $i = 1, 2, \dots, n-2$ , we have

$$B_n(v) = B_{n-1}(v) + \sum_{i=1}^{n-2} \ell_{i-1} v^{i-1},$$

which leads to  $B(x, v) = \frac{1}{1-x} \sum_{n \geq 2} \sum_{i=1}^{n-2} (2^{i-1} - (i-1)) v^{i-1} x^n$  and the first assertion.  $\square$

**Lemma 23.** *We have*

$$\begin{aligned} A'(x, v) &= \frac{x}{1-v} \left( A'(x, v) - \frac{1}{v} A'(vx, 1) \right) + \frac{x(1+v)}{v} (A(xv, 1) - 1) - x^2 A(xv, 1), \quad \text{and} \\ A''(x, v) &= xA''(x, v) + (1-x)x(g(x) - 1) + B(x, v) - B(x, 0) + (1-x)(B'(x, v) - B'(x, 0)). \end{aligned}$$

*Proof.* Lemma 21 gives

$$a'(n; i) = a'(n-1; 1) + a'(n-1; 2) + \dots + a'(n-1; i)$$

with  $a'(n; n) = A_{n-1}(1)$  and  $a'(n; n-1) = A_{n-1}(1) - A_{n-2}(1)$ . Multiplying by  $v^{i-1}$  and summing over  $i = 1, 2, \dots, n-2$ , we have

$$A'_n(v) = \frac{1}{1-v} (A'_{n-1}(v) - A'_{n-1}(1)v^{n-2}) + (A_{n-1}(1) - A_{n-2}(1))v^{n-2} + A_{n-1}(1)v^{n-1}$$

with  $A'_1(v) = 1$ . The first assertion follows by multiplying by  $x^n$  and summing over  $n \geq 2$ .

Lemma 21 also gives

$$a''(n; i) = \sum_{j=i+1}^{n-2} a(n; i, j) + b(n; i) + b'(n; i) = \sum_{j=i+1}^{n-2} a(n-1; i, j) + b(n; i) + b'(n; i),$$

which leads to  $a''(n; i) = a''(n-1; i) + b(n; i) + b'(n; i) - b'(n-1; i)$  for all  $i = 2, 3, \dots, n-1$ , where  $a''(n; 1) = a(n; 1) = |S_{n-1}(\{312, 2134, 2341\})|$ . Thus, multiplying by  $v^{i-1}$  and summing over  $i = 2, 3, \dots, n-1$ , we have

$$A''_n(v) = A''_{n-1}(v) + A''_n(0) - A''_{n-1}(0) + B_n(v) - B_n(0) + B'_n(v) - B'_n(0) - B'_{n-1}(v) - B'_{n-1}(0)$$

with  $A''_1(v) = 0$  and  $B'_1(v) = B'_2(v) = 1$ . Multiplying by  $x^n$  and summing over  $n \geq 2$ , we obtain

$$A''(x, v) = xA''(x, v) + (1-x)A''(x, 0) + B(x, v) - B(x, 0) + (1-x)(B'(x, v) - B'(x, 0)),$$

where  $A''(x, 0) = x \sum_{n \geq 1} |S_n(\{312, 2134, 2341\})| x^n = x(g(x) - 1)$ , and the second assertion follows.  $\square$

From Lemmas 22 and 23, we have

$$\left( 1 - \frac{x}{v(1-v)} \right) A' \left( \frac{x}{v}, v \right) = -\frac{x}{v^2(1-v)} A'(x, 1) + \frac{x(1+v)}{v^2} (A(x, 1) - 1) - \frac{x^2}{v^2} A(v, 1).$$

By substituting  $v = 1/C(x)$ , we obtain

$$(1) \quad A'(x, 1) = x(1-x)C(x)A(x, 1) - xC(x) - x.$$

Moreover, we have

$$(2) \quad (1-x)A''(x, 1) = x(1-x)(g(x) - 1) + B(x, 1) - B(x, 0) + (1-x)(B'(x, 1) - B'(x, 0)),$$

where  $B(x, 1) = \frac{(3x^2 - 3x + 1)x^3}{(1-x)^4(1-2x)}$ ,  $B(x, 0) = \frac{x^3}{(1-x)^2}$ ,  $B'(x, 1) = \frac{x^2}{1-x} + \frac{x}{1-x}A'(x, 1)$  and  $B'(x, 0) = \sum_{n \geq 2} a(n; 1, n)x^n = \frac{x^2}{1-x}$ . By solving the three equations (1), (2) and  $A(x, 1) = 1 + x + A'(x, 1) + A''(x, 1)$  for  $A(x, 1)$ ,  $A'(x, 1)$ ,  $A''(x, 1)$ , we obtain the following result.

**Theorem 24.** *Let  $T = \{2134, 1423, 2341\}$ . Then*

$$F_T(x) = \frac{2x^5 + x^4 - 6x^3 + 7x^2 - 4x + 1}{(1-2x)(1-x)^3}C(x) - \frac{x(2x^4 - x^3 + x^2 - 2x + 1)}{(1-2x)(1-x)^4}.$$

3.8. **Case 133:**  $\{1342, 2143, 2314\}$ .

**Theorem 25.** *Let  $T = \{1342, 2143, 2314\}$ . Then*

$$F_T(x) = \frac{(1-2x)(1-3x+x^2)}{1-6x+11x^2-7x^3}.$$

*Proof.* Let  $G_m(x)$  be the generating function for  $T$ -avoiders with  $m$  left-right maxima. Clearly,  $G_0(x) = 1$  and  $G_1(x) = xF_T(x)$ .

To find  $G_2(x)$ , consider  $\pi = i\pi'n\pi'' \in S_n(T)$  with left-right maxima  $i$  and  $n$ . If  $\pi'$  is not empty then  $i = n - 1$  (to avoid 2143) and  $i$  can be safely deleted, leaving nonempty  $T$ -avoiders with maximum entry not in first position. Hence, the contribution is  $x(F_T(x) - 1 - xF_T(x))$ . If  $\pi'$  is empty, then  $\pi_2 = n$  can be safely deleted and the contribution is  $x(F_T(x) - 1)$ . Thus,

$$G_2(x) = x(F_T(x) - 1 - xF_T(x)) + x(F_T(x) - 1).$$

To find  $G_m(x)$  with  $m \geq 3$ , consider a  $T$ -avoider  $\pi = i_1\pi^{(1)} \dots i_m\pi^{(m)}$  with  $m$  left-right maxima. It decomposes as in Figure 15, where the shaded regions are empty for the reason indicated and

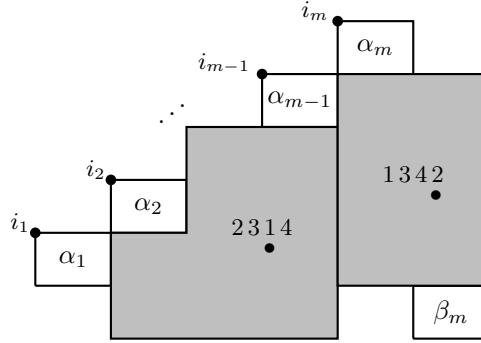


FIGURE 15. A  $T$ -avoider with  $m \geq 3$  left-right maxima

$\alpha_m$  lies to the left of  $\beta_m$  (or  $i_1i_{m-1}$  is the 23 of a 2314). If  $\alpha_j \neq \emptyset$  for some  $j \in [1, m - 1]$ , then  $\alpha_i = \emptyset$  for all  $i \neq j$  (2143),  $\alpha_j$  avoids 231 and 2143, and  $\beta_m$  avoids  $T$ , and so the contribution is  $x^m(K(x) - 1)F_T(x)$  where  $K(x) = \frac{1-2x}{1-3x+x^2}$  is the generating function for  $\{231, 2143\}$ -avoiders [12, Seq. A001519]. On the other hand, if  $\alpha_i = \emptyset$  for all  $i \in [1, m - 1]$ , then  $\alpha_m$  avoids 231 and 2143, and  $\beta_m$  avoids  $T$ , giving  $x^mK(x)F_T(x)$ . Hence,

$$G_m(x) = (m - 1)x^m(K(x) - 1)F_T(x) + x^mK(x)F_T(x).$$

Summing over  $m \geq 3$  and substituting for  $G_0(x), G_1(x)$  and  $G_2(x)$ , we obtain

$$F_T(x) = 1 + xF_T(x) + x(F_T(x) - 1 - xF_T(x)) + x(F_T(x) - 1) + \frac{x^3(1+x)F_T(x)}{1-3x+x^2},$$

and solving for  $F_T(x)$  completes the proof.  $\square$

**3.9. Case 159:**  $\{1243, 1342, 3412\}$ . We consider left-right maxima and begin with a particular case. Let  $J = J(x)$  denote the generating function for  $T$ -avoiders  $\pi = \pi_1\pi_2 \cdots \pi_n$  with  $\pi_2 = n$ .

**Lemma 26.** *We have  $J = \frac{x^2(1-2x)}{(1-x)(1-3x)}$ .*

*Proof.* We refine  $J$  to  $J_d$ ,  $d \geq 1$ , the generating function for permutations  $\pi = dn\pi'' \in S_n(T)$ . Since  $\pi$  avoids 3412, the letters  $< d$  are decreasing in  $\pi$ . We count by position of  $n-1$ . If  $n = d+1$  (so  $n-1$  is in first position), then  $\pi = (n-1)n(n-2)(n-3) \cdots 1$ , and the contribution to  $J_d$  is  $x^{d+1}$ . Now suppose  $n > d+1$  and let  $j \in [1, d]$  be maximal such that  $d\pi''$  begins with  $j$  consecutive decreasing integers  $d(d-1)(d-2) \cdots (d-j+1)$ , and consider the next letter,  $\pi_{j+2}$ , in  $\pi$ .

- $\pi_{j+2} = n-1$ . Here, we can safely delete the  $j$  letters  $\pi_2\pi_3 \cdots \pi_{j+1} = n(d-1)(d-2) \cdots (d-(j-1))$ , and the contribution is  $x^j J_{d-(j-1)}$ .
- $\pi_{j+2} < n-1$ . Here,  $\pi$  decomposes as in Figure 16, where the shaded regions are empty for

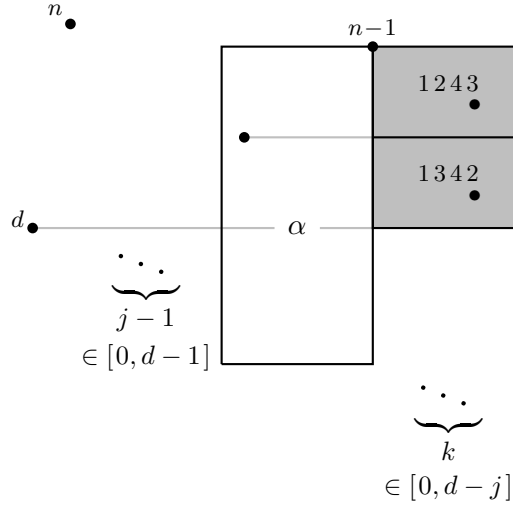


FIGURE 16. A  $T$ -avoider counted by  $J_d$

the indicated reason. For fixed  $j, k$ , the  $j-1+k$  letters above the braces (decreasing dots), along with  $n-1$ , may be safely deleted, leaving  $dn\alpha$ , counted by  $J_{d-(k+j-1)} - xJ_{d-(k+j)}$ , taking into account that  $\alpha$  begins with a letter larger than the first entry. (This requires  $J_0 = x$  for  $k = d-j$ .)

Adding the contributions,

$$J_d = x^{d+1} + \sum_{j=1}^d x^j J_{d+1-j} + \sum_{j=1}^d \sum_{k=0}^{d-j} x^{k+j} (J_{d+1-k-j} - xJ_{d-k-j}),$$

for all  $d \geq 1$ . The sum over  $k$  telescopes and summing over  $d \geq 1$ , we have

$$J = \frac{x^2}{1-x} + \frac{2x}{1-x}J - \frac{x^3}{(1-x)^2},$$

an identity for  $J$  with solution as stated.  $\square$

Now let  $G_m(x)$  be the generating function for  $T$ -avoiders with  $m$  left-right maxima. Clearly,  $G_0(x) = 1$  and  $G_1(x) = xF_T(x)$ .

**Lemma 27.**

$$G_2(x) = \frac{x^3(1-4x+3x^2+x^3)}{(1-x)^2(1-2x)(1-3x)(1-3x+x^2)} + \frac{x^2}{1-x}F_T(x).$$

*Proof.* We refine  $G_2(x)$  to  $G_2(x; d)$ , the generating function for permutations of the form  $\pi = i\pi'n\pi'' \in S_n(T)$  with 2 left-right maxima in which  $\pi''$  has  $d$  letters  $< i$ . Since  $\pi$  avoids 3412, the letters  $< i$  in  $\pi''$ , say  $j_1, j_2, \dots, j_d$ , are decreasing and in the matrix diagram of  $\pi$ , these  $d$  letters split  $\pi''$  into vertically divided segments  $\beta_1, \beta_2, \dots, \beta_{d+1}$  (left to right) and  $\pi'$  into horizontally divided segments  $\alpha_{d+1}, \alpha_d, \dots, \alpha_1$  (top to bottom). We distinguish two cases:

- $\alpha_d = \dots = \alpha_1 = \emptyset$ . Here, if  $i = n - 1$ , the contribution is  $x^{d+2}F_T(x)$ . Otherwise,  $\alpha_{d+1}$  is decreasing since  $\pi$  avoids 1243, which implies a contribution of  $\frac{J_{d+1} - x^{d+2}}{1-x}$  by Lemma 26.
- Otherwise, there is a minimal  $s \in [1, d]$  such that  $\alpha_s$  is nonempty. Here,  $\pi$  decomposes as in Figure 17, where  $\alpha_{t+1}$  lies to the left of  $\alpha_t$  for all  $t$  (a violator is the 13 of a 1342),

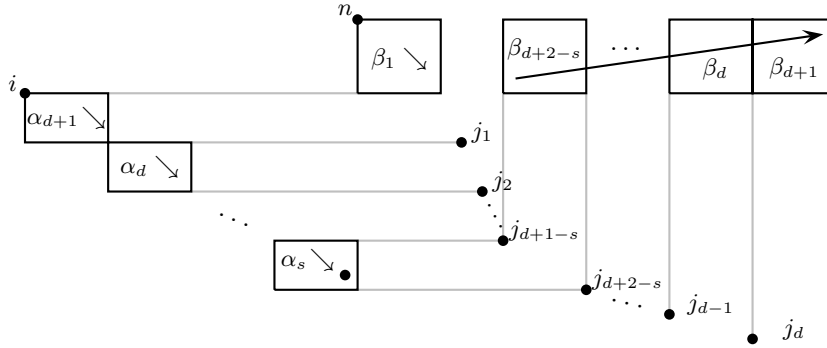


FIGURE 17. A  $T$ -avoider counted by  $G_2(x; d)$

$\beta_1$  is decreasing (a violator is the 34 of a 1342),  $\beta_2 = \beta_3 = \dots = \beta_{d+1-s} = \emptyset$  (a violator is the 4 of a 1342),  $\beta_{d+2-s} \dots \beta_d \beta_{d+1}$  is increasing (a violator is the 43 of a 1243),  $\alpha_{d+1}$  is decreasing (a violator is the 34 of a 3412), and  $\alpha_d, \alpha_{d-1}, \dots, \alpha_s$  are all decreasing (a violator is the 12 of a 1243).

The  $\beta$ 's contribute  $\frac{(1-x)^{s-1}}{(1-2x)^s}$  and the overall contribution is  $\frac{x^{d+3}}{(1-x)^{d+3-s}} \frac{(1-x)^s}{(1-2x)^s}$ .

Hence, for all  $d \geq 0$ ,

$$G_2(x; d) = \sum_{s=1}^d \frac{x^{d+3}}{(1-x)^{d+3-2s}(1-2x)^s} + x^{d+2}F_T(x) + \frac{J_{d+1} - x^{d+2}}{1-x}.$$

The result follows by summing over  $d \geq 0$ , using Lemma 26 and the identity  $J = \sum_{d \geq 1} J_d$ .  $\square$



**Lemma 28.** For  $m \geq 2$ ,  $G_m(x) = \left(\frac{x}{1-x}\right)^{m-2} G_2(x)$ .

*Proof.* Suppose  $\pi = i_1\pi^{(1)} \dots i_m\pi^{(m)} \in S_n(T)$  has  $m \geq 3$  left-right maxima. Since  $\pi$  avoids 1342 and 1243, we see that  $\pi^{(j)} < i_1$  for all  $j = 3, 4, \dots, m$ . Since  $\pi$  avoids 1342 and 3412, we see that  $\pi^{(s)} > \pi^{(m)}$ , and  $\pi^{(m)}$  is decreasing. Hence  $G_m(x) = \frac{x}{1-x} G_{m-1}(x)$ .  $\square$

Now sum the result of Lemma 28 over  $m \geq 2$  to get an equation for  $F_T(x)$  using Lemma 27, whose solution yields the following Theorem.

**Theorem 29.** Let  $T = \{1243, 1342, 3412\}$ . Then

$$F_T(x) = \frac{1 - 11x + 48x^2 - 104x^3 + 115x^4 - 61x^5 + 13x^6}{(1-x)(1-2x)(1-3x)(1-3x+x^2)^2}.$$

3.10. **Case 162:**  $T = \{3412, 1423, 2341\}$ . Let  $G_m(x)$  be the generating function for the number of  $T$ -avoiders with exactly  $m$  left-right maxima. Clearly,  $G_0(x) = 1$  and  $G_1(x) = xF_T(x)$ .

**Lemma 30.**

$$G_2(x) = \frac{x^6}{(1-2x)^2(1-x)^4} + \frac{x^2(-x^3 + 4x^2 - 3x + 1)}{(1-2x)(1-x)^3} F_T(x).$$

*Proof.* We refine  $G_2(x)$  to  $G_2(x; d)$ , the generating function for  $T$ -avoiders  $\pi = i\pi'n\pi''$  with 2 left-right maxima such that  $\pi''$  has  $d$  letters smaller than  $i$ , say  $j_1, j_2, \dots, j_d$ . If  $d = 0$  so that  $\pi'' > i$ , then  $\pi''$  is decreasing (or  $in$  is the 14 of a 1423). Hence  $G_2(x; 0) = \frac{x^2}{1-x} F_T(x)$ .

If  $d \geq 1$ , then  $\pi$  decomposes as in Figure 18, where  $j_1j_2 \dots j_d$  is decreasing (or  $in$  is the 34 of a

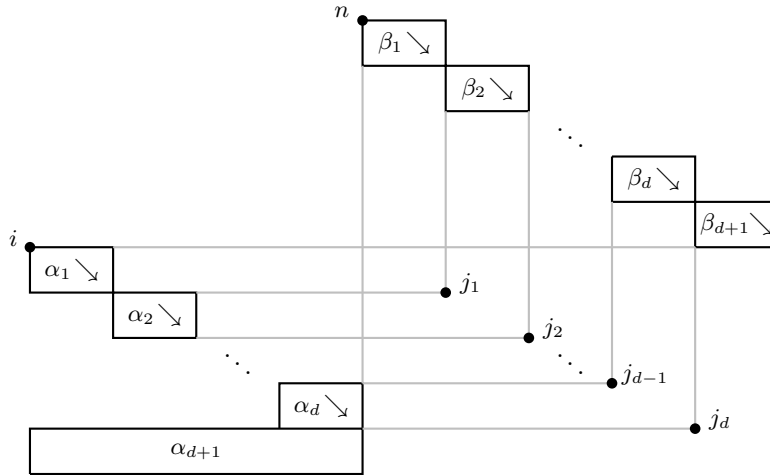


FIGURE 18. A  $T$ -avoider with 2 left-right maxima

3412),  $\beta_1\beta_2 \dots \beta_d\beta_{d+1}$  is decreasing (or  $in$  is the 14 of a 1423), and  $\alpha_1\alpha_2 \dots \alpha_d$  is decreasing (or  $nj_d$  is the 41 of a 2341). If  $\pi' = \emptyset$  (all  $\alpha$ 's are empty), the contribution is  $\frac{x^{d+2}}{(1-x)^{d+1}}$ . Otherwise, let  $s \in [1, d+1]$  be maximal such that  $\alpha^{(s)} \neq \emptyset$ . Note that  $s > 1$  implies  $\beta_2 \dots \beta_{d+1} = \emptyset$  since  $a \in \alpha_s$ ,  $b \in \beta_2 \dots \beta_{d+1}$  makes  $anj_1b$  a 1423.

- $s = 1$ . Here,  $\alpha_1 \neq \emptyset$  and  $\alpha_2 = \cdots = \alpha_d = \alpha_{d+1} = \emptyset$  and the contribution is  $\frac{x^{d+3}}{(1-x)^{d+2}}$ .
- $2 \leq s \leq d$ . Here, the contribution is  $\frac{x^{d+3}}{(1-x)^{s+1}}$  since  $\beta_2 \cdots \beta_{d+1} = \emptyset$ .
- $s = d+1$ . Here, again,  $\beta_2 \cdots \beta_{d+1} = \emptyset$ . If  $\alpha_{d+1}$  lies to the right of  $\alpha_1 \cdots \alpha_d$ , the contribution is  $\frac{x^{d+2}}{(1-x)^{d+1}}(F_T(x) - 1)$  since  $\alpha_{d+1}$  avoids  $T$  and is nonempty.  
Otherwise,  $\pi$  has the form shown in Figure 19, where (i)  $\alpha_{d+1} = \gamma\delta$  and the leftmost

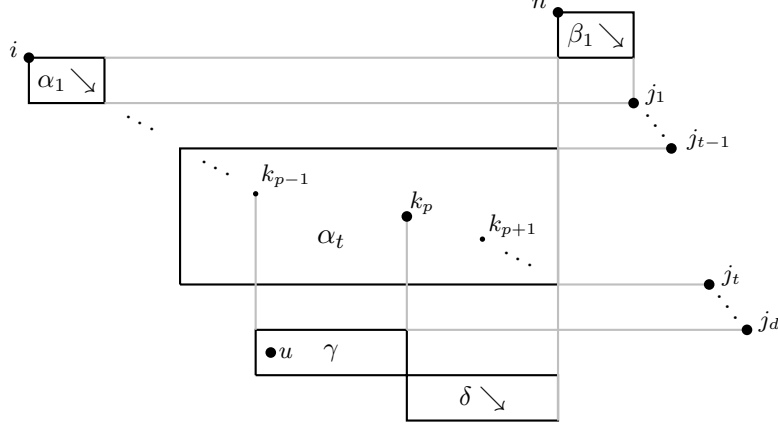


FIGURE 19. A  $T$ -avoider with 2 left-right maxima and  $\alpha_{d+1}$  not on right of  $\alpha_1 \cdots \alpha_d$

letter  $u$  of  $\alpha_{d+1}$  lies to the left of the  $p$ -th letter  $k_p$  ( $p \geq 1$ ) of some  $\alpha_t$  ( $t \in [1, d]$ ), (ii)  $\alpha_{t+1} = \cdots = \alpha_d = \emptyset$  (a violator  $a$  makes  $uk_paj_t$  a 1423), (iii)  $\gamma > \delta$  (or  $k_pj_t$  is the 43 of a 1423), and (iv)  $\delta$  is decreasing (or  $uk_p$  is the 34 of a 3412).

If  $\delta = \emptyset$ , the contribution is  $\frac{x^{d+3}}{(1-x)^{t+2}}(F_T(x) - 1)$  since  $\gamma$  avoids  $T$  and is nonempty, and  $k_p$  splits  $\alpha_t$  into two decreasing sequences.

If  $\delta \neq \emptyset$ , then  $\gamma$  is decreasing (a violator would be the 23 of a 2341). Thus, the two decreasing sequences  $k_{p+1}k_{p+2} \cdots$  and  $\delta \neq \emptyset$  together contribute  $\frac{1}{1-2x} - \frac{1}{1-x} = \frac{x}{(1-x)(1-2x)}$  to an overall contribution of  $\frac{x^{d+4}}{(1-x)^{t+2}} \times \frac{x}{(1-x)(1-2x)}$ .

By summing all the contributions, we obtain

$$G_2(x; d) = \frac{x^{d+2}}{(1-x)^{d+1}} + \frac{x^{d+3}}{(1-x)^{d+2}} + \sum_{s=2}^d \frac{x^{d+3}}{(1-x)^{s+1}} \\ + \frac{x^{d+2}}{(1-x)^{d+1}}(F_T(x) - 1) + \sum_{t=1}^d \left( \frac{x^{d+3}}{(1-x)^{t+2}}(F_T(x) - 1) + \frac{x^{d+5}}{(1-x)^{t+3}(1-2x)} \right),$$

valid for  $d \geq 1$ , and also for  $d = 0$ . Summing over  $d \geq 0$  gives the stated expression for  $G_2(x)$ .  $\square$

**Lemma 31.**

$$G_3(x) = \frac{x}{1-x}G_2(x) + \frac{x^4}{(1-x)^3}F_T(x) + \frac{x^5}{(1-x)^4(1-2x)}.$$

*Proof.* Suppose  $\pi = i_1\pi^{(1)}i_2\pi^{(2)}i_3\pi^{(3)}$  is a permutation in  $S_n(T)$  with 3 left-right maxima. Since  $\pi$  avoids 2341, we see that  $\pi^{(3)} > i_1$ . If  $\pi^{(3)} > i_2$ , then, since  $\pi^{(3)}$  is decreasing (to avoid 1423), the contribution to  $G_3(x)$  is  $\frac{x}{1-x}G_2(x)$ . Otherwise,  $\pi^{(3)}$  has a letter between  $i_1$  and  $i_2$ , and  $\pi$

decomposes either as in Figure 20a) (when  $\pi^{(2)} > i_1$ ) or as in Figure 20b) (when  $\pi^{(2)} \not> i_1$ ) where

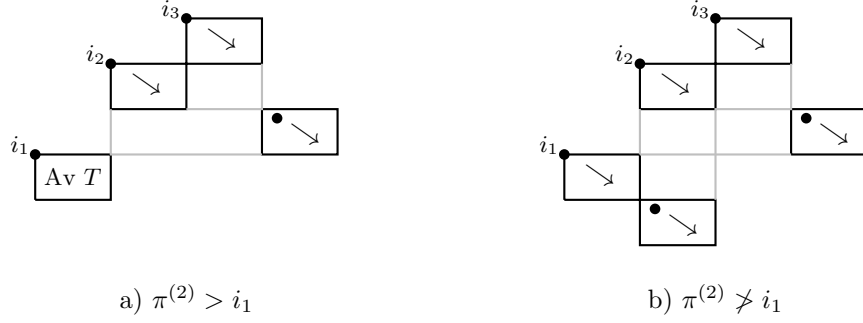


FIGURE 20. A  $T$ -avoider with 3 left-right maxima and  $\pi^{(3)} \not> i_2$

the down arrows indicate decreasing entries, with respective contributions of  $\frac{x^4}{(1-x)^3}F_T(x)$  and  $\frac{x^4}{(1-x)^3}\left(\frac{1}{1-2x} - \frac{1}{1-x}\right)$ . The result follows by adding contributions.  $\square$

**Lemma 32.** For  $m \geq 4$ ,

$$G_m(x) = \frac{x}{1-x}G_{m-1}(x) + \frac{x^3}{(1-x)^3}G_{m-2}(x).$$

*Proof.* Let  $\pi = i_1\pi^{(1)}i_2\pi^{(2)} \cdots i_m\pi^{(m)} \in S_n(T)$  with  $m \geq 4$  left-right maxima. Then  $\pi^{(m)} > i_{m-2}$  (to avoid 2341). If  $\pi^{(m)} > i_{m-1}$ , the contribution is  $\frac{x}{1-x}G_{m-1}(x)$ . If  $\pi^{(m)}$  has a letter between  $i_{m-2}$  and  $i_{m-1}$ , then  $\pi^{(m-1)} > i_{m-2}$  (or  $i_{m-3}i_{m-1}$  is the 14 of a 1423) and, similar to Figure 20a), the contribution is  $\frac{x^3}{(1-x)^3}G_{m-2}(x)$ .  $\square$

By summing the recurrence of Lemma 32 over  $m \geq 4$ , we obtain

$$\begin{aligned} F_T(x) - 1 - xF_T(x) - G_2(x) - G_3(x) \\ = \frac{x}{1-x}(F_T(x) - 1 - xF_T(x) - G_2(x)) + \frac{x^3}{(1-x)^3}(F_T(x) - 1 - xF_T(x)). \end{aligned}$$

Substituting the expressions for  $G_2(x)$  and  $G_3(x)$  from Lemmas 30 and Lemma 31 and then solving for  $F_T(x)$ , we get the following result.

**Theorem 33.** Let  $T = \{3412, 1423, 2341\}$ . Then

$$F_T(x) = \frac{1 - 7x + 18x^2 - 21x^3 + 11x^4}{(1-2x)(1-6x+12x^2-11x^3+3x^4)}.$$

3.11. **Case 163:**  $\{1342, 2314, 3412\}$ . Note that all three patterns contain 231.

**Lemma 34.** The generating function for  $T$ -avoiders with 2 left-right maxima is given by

$$H(x) = \frac{x((1-4x+7x^2-7x^3+4x^4)C(x) - 1 + 4x - 8x^2 + 9x^3 - 4x^4)}{(1-x)^4(1-2x)}.$$

*Proof.* Let  $H_d(x)$  be the generating function for  $T$ -avoiders  $i\pi'n\pi''$  with 2 left-right maxima where  $\pi''$  has  $d$  letters smaller than  $i$ . If  $d = 0$ , then  $\pi'$  and  $\pi''$  independently avoid 231, and so  $H_0(x) = x^2C(x)^2$ . Now let  $d \geq 1$  and  $j_1, j_2, \dots, j_d$  be the letters in  $\pi''$  smaller than  $i$ . These letters occur in decreasing order (to avoid 3412). Since  $\pi$  avoids 1342, we can write  $\pi$  as

$$\pi = i\alpha_0\alpha_1 \cdots \alpha_d n \beta_0 j_1 \beta_1 \cdots j_d \beta_d,$$

where  $i > \alpha_0 > j_1 > \alpha_1 > \cdots > j_d > \alpha_d$ . Since  $\pi$  avoids 2314, we also have  $\beta_0 > \beta_1 > \cdots > \beta_d$ .

By considering the cases (i)  $\alpha_d = \beta_d = \emptyset$ , (ii)  $\alpha_d \neq \emptyset, \beta_d = \emptyset$ , (iii)  $\alpha_d = \emptyset, \beta_d \neq \emptyset$ , and (iv)  $\alpha_d \neq \emptyset, \beta_d \neq \emptyset$ , we obtain the respective contributions  $xH_{d-1}(x)$ ,  $\frac{x^{d+2}}{(1-x)^{d+1}}(C(x)-1)$ ,  $\frac{x^{d+2}}{(1-x)^{d+1}}(C(x)-1)$ , and  $\frac{x^{d+2}}{(1-x)^2}(C(x)-1)^2$ . Thus,

$$H_d(x) = xH_{d-1}(x) + \frac{2x^{d+2}}{(1-x)^{d+1}}(C(x)-1) + \frac{x^{d+2}}{(1-x)^2}(C(x)-1)^2.$$

Summing over  $d \geq 1$  and using the expression for  $H_0(x)$ , we obtain

$$H(x) - x^2C(x)^2 = xH(x) + \frac{2x^3}{(1-x)(1-2x)}(C(x)-1) + \frac{x^3}{(1-x)^3}(C(x)-1)^2,$$

and the result follows by solving for  $H(x)$ .  $\square$

**Theorem 35.** *Let  $T = \{1342, 2314, 3412\}$ . Then*

$$F_T(x) = \frac{(1-3x+3x^2)^2C(x) - x(1-x)(1-3x+5x^2-4x^3)}{(1-x)^5(1-2x)}.$$

*Proof.* Let  $G_m(x)$  be the generating function for  $T$ -avoiders with  $m$  left-right maxima. Clearly,  $G_0(x) = 1$ ,  $G_1(x) = xF_T(x)$ , and Lemma 34 gives  $G_2(x)$ . For  $G_m(x)$  with  $m \geq 3$ , suppose  $\pi = i_1\pi^{(1)}i_2\pi^{(2)} \cdots i_m\pi^{(m)} \in S_n(T)$  has  $m \geq 3$  left-right maxima. Since  $\pi$  avoids 1342, we see that  $\pi^{(s)} > i_{s-1}$  for all  $s = 2, 3, \dots, m-1$ , and  $\pi^{(m)}$  can be written as  $\alpha\beta$  with  $\alpha > i_{m-1}$  and  $\pi^{(1)} > \beta$  (to avoid 1342), and  $\beta$  is decreasing (to avoid 3412). Note that  $\pi$  avoids  $T$  if and only if each of  $\pi^{(1)}, \dots, \pi^{(m-1)}, \alpha$  avoids 231. Hence,  $G_m(x) = \frac{x^m C(x)^m}{1-x}$ . Summing over  $m \geq 3$ , we obtain

$$F_T(x) - 1 - xF_T(x) - G_2(x) = \frac{x^3C(x)^3}{(1-x)(1-xC(x))} = \frac{x^3C(x)^4}{1-x}.$$

Substituting for  $G_2(x)$  and solving for  $F_T(x)$ , we complete the proof.  $\square$

**3.12. Case 164:**  $\{1432, 2431, 3214\}$ . We count by initial letters and define  $a(n) = |S_n(T)|$  and  $a(n; i_1, i_2, \dots, i_m)$  to be the number of  $T$ -avoiders in  $S_n$  whose first  $m$  letters are  $i_1, i_2, \dots, i_m$ . Clearly,  $a(n; n) = a(n-1)$ . Note that all three patterns in  $T$  contain 321.

**Lemma 36.** *The following two tables give a recurrence for  $a(n; i, j)$  according as  $i < j$  or  $i > j$ , valid whenever they make sense:*

$i = 1$		$a(n; 1, j) = \frac{j-1}{n-1} \binom{2n-2-j}{n-2}$
$i \geq 2$	$j = i+1$	$a(n; i, i+1) = a(n-1; i)$
	$j = i+2$	$a(n; i, i+2) = a(n; i-1, i+2)$
	$j \geq i+3$	$a(n; i, j) = \sum_{k=j-1}^{n-1} a(n-1; i, k)$

Recurrence for  $a(n; i, j)$  when  $i < j$

$j = 1$		$a(n; i, 1) = a(n; 1, i) + 2^{i-2} + 1 - i$
$j \geq 2$	$i \leq n - 2$	$a(n; i, j) = a(n - 1; i, j)$
	$i = n - 1$	$a(n; n - 1, j) = a(n - 1; n - 2, j) + 2^{n-3-j}$
	$i = n$	$a(n; n, j) = a(n - 1; j)$

Recurrence for  $a(n; i, j)$  when  $i > j$

*Proof.* We prove the first entry in each Table and leave the other proofs to the reader. An avoider  $\pi = 1j\pi'$  is counted by  $a(n; 1, j)$ . Since  $\pi$  avoids 1432,  $\text{St}(j\pi')$  avoids 321, has length  $n - 1$  and first letter  $j - 1$ . Such permutations are known to be counted by the ‘‘Catalan triangle’’ and so  $a(n; 1, j) = \frac{j-1}{n-1} \binom{2n-2-j}{n-2}$ , the first item in the top Table.

Now, consider  $a(n; i, 1)$ . Let  $\pi = i1\pi' \in S_n(T)$ . Either there is no occurrence of 321 in  $\pi$  that starts with  $i$ , or there is such an occurrence. In the first case, the map  $i1\pi' \rightarrow 1i\pi'$  is a bijection, so we have a contribution of  $a(n; 1, i)$ . Thus,  $a(n; i, 1) = a(n; 1, i) + b(n, i)$ , where  $b(n, i)$  is the number of permutations  $i1\pi' \in S_n(T)$  containing an occurrence of 321 that starts with  $i$ .

Now let us find a formula for  $b(n, i)$ . Let  $\pi = i1\pi' \in S_n(T)$  with  $i\pi_p\pi_q$  an occurrence of 321 where  $p$  is minimal and  $p + q$  is minimal. Say  $\pi_p = u$  and  $\pi_q = v$ . Thus  $iuv$  is the leftmost (minimal) occurrence of 321 in  $\pi$ , and  $\pi$  has the form shown in Figure 21, where the shaded regions are empty

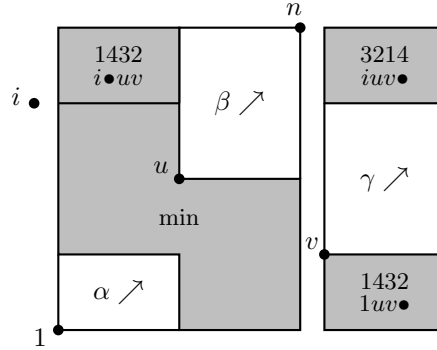


FIGURE 21. A  $T$ -avoider counted by  $b(n, i)$

for the reason indicated (min refers to the minimal property of  $iuv$ ),  $n$  occurs before  $v$  (or  $n$  is the 4 of a 3214) and in fact immediately before  $v$  (or  $n$  is the 4 of a 1432),  $\alpha$  is increasing by the minimal property of  $iuv$ ,  $\beta$  is increasing (or  $v$  is the 2 of a 1432), and  $\gamma$  is increasing (or  $n$  is the 4 of a 1432). The generating function for the part of  $\pi$  below  $i$  is

$$\frac{x^3}{(1-x)^2(1-2x)}$$

and for the part at or above  $i$  is  $x^2/(1-x)$ . Hence,

$$b(n, i) = [x^{i-1}] \frac{x^3}{(1-x)^2(1-2x)} \times [x^{n-i+1}] \frac{x^2}{1-x},$$

which implies that  $b(n, i) = 2^{i-2} + 1 - i$ , as required. □

Define

$$A_n^+(i) = \sum_{j=i+1}^n a(n; i, j), \quad A_n^+ = \sum_{i=1}^{n-1} A_n^+(i), \quad A^+(x) = \sum_{n \geq 2} A_n^+ x^n.$$

Similarly, define

$$A_n^-(i) = \sum_{j=1}^{i-1} a(n; i, j), \quad A_n^- = \sum_{i=2}^n A_n^-(i), \quad A^-(x) = \sum_{n \geq 2} A_n^- x^n.$$

Thus, with  $A(x) = \sum_{n \geq 0} a(n)x^n$ , we have

$$A(x) = 1 + x + A^+(x) + A^-(x).$$

From Lemma 36, we have

$$a(n; i, j) = \frac{j-1}{n-1} \binom{2n-2-j}{n-2},$$

for all  $i \leq j-2$  (independent of  $i$ ), and consequently,

$$\sum_{j=i+2}^n a(n; i, j) = \frac{i+2}{n} \binom{2n-i-3}{n-1}.$$

Hence, for  $i \leq n-1$ ,

$$A_n^+(i) = a(n-1; i) + \frac{i+2}{n} \binom{2n-i-3}{n-1}.$$

Summing over  $i$ ,

$$A_n^+ = a(n-1) + \frac{n-2}{2n-1} C_n$$

for  $n \geq 2$ . Multiplying by  $x^n$  and summing over  $n \geq 2$ , we find

$$(3) \quad A^+(x) = xA(x) + (1-2x)C(x) - 1.$$

Finding  $A^-(x)$  is a little more tedious. By Lemma 36, we have

$$\begin{aligned} A_n^-(n-1) &= 2^{n-3} + \sum_{j=2}^{n-3} a(n; n-1, j) + a(n-3) \\ &= 2^{n-3} + a(n-3) + \sum_{j=2}^{n-3} a(n-1; n-2; j) + (2^0 + 2^1 + \dots + 2^{n-5}) \\ &= 2^{n-3} + a(n-3) + A_{n-1}^-(n-2) - 2^{n-4} + 2^{n-4} - 1 \\ &= A_{n-1}^-(n-2) + a(n-3) + 2^{n-3} - 1, \end{aligned}$$

and induction on  $n$  implies

$$(4) \quad A_n^-(n-1) = \sum_{j=0}^{n-3} a(j) + 2^{n-2} - n + 1.$$

Now for  $n \geq 6$ , using Lemma 36,

$$\begin{aligned}
 A_n^- &= A_n^-(2) + A_n^-(3) + \sum_{i=4}^{n-2} A_n^-(i) + A_n^-(n-1) + A_n^-(n) \\
 &= C_{n-2} + (C_{n-2} + 1) + \sum_{i=4}^{n-2} \sum_{j=1}^{i-1} a(n; i, j) + A_n^-(n-1) + a(n-1) \\
 &= 2C_{n-2} + 1 + a(n-1) + A_n^-(n-1) + \sum_{i=4}^{n-2} \sum_{j=1}^{i-1} a(n-1; i, j) + \sum_{i=4}^{n-2} (a_n(n; i, 1) - a(n-1; i, 1)) \\
 &= 2C_{n-2} + 1 + a(n-1) + A_n^-(n-1) + A_{n-1}^- - A_{n-1}^-(2) - A_{n-1}^-(3) - A_{n-1}^-(n-1) \\
 &\quad + \sum_{i=4}^{n-2} (a_n(n; i, 1) - a(n-1; i, 1)) \\
 &= 2C_{n-2} + 1 + a(n-1) + A_n^-(n-1) + A_{n-1}^- - 2C_{n-3} - 1 - a(n-2) \\
 &\quad + \sum_{i=4}^{n-2} (a_n(n; 1, i) - a(n-1; 1, i)) \\
 &= 2C_{n-2} + a(n-1) + A_n^-(n-1) + A_{n-1}^- - 2C_{n-3} - a(n-2) \\
 &\quad + C_{n-1} - 3C_{n-2} + 2C_{n-3} - n + 2 \\
 &= A_{n-1}^- + a(n-1) - a(n-2) + A_n^-(n-1) + C_{n-1} - C_{n-2} - n + 2.
 \end{aligned}$$

Thus, by (4), we have

$$(5) \quad A_n^- = A_{n-1}^- - 2a(n-2) + \sum_{j=0}^{n-1} a(j) + C_{n-1} - C_{n-2} + 2^{n-2} - 2n + 3,$$

where  $A_1^- = 0$  and  $A_2^- = 1$ , and this formula also holds for  $n = 3, 4, 5$ .

Multiplying (5) by  $x^n$  and summing over  $n \geq 3$ , we get

$$\begin{aligned}
 A^-(x) - x^2 &= xA^-(x) - 2x^2(A(x) - 1) + \frac{x}{1-x}(A(x) - 1 - 2x) + x(C(x) - 1 - x) \\
 &\quad - x^2(C(x) - 1) - \frac{x^3(1-3x)}{(1-x)^2(1-2x)},
 \end{aligned}$$

which leads to

$$(6) \quad A^-(x) = \frac{-x}{1-x} + \frac{x}{(1-x)^2}A(x) - \frac{2x^2}{1-x}A(x) + x(C(x) - 1) - \frac{x^3(1-3x)}{(1-x)^3(1-2x)}.$$

From (3) and (6) we have

$$\begin{aligned}
 A(x) - 1 - x &= \frac{-x}{1-x} + \frac{x}{(1-x)^2}A(x) - \frac{2x^2}{1-x}A(x) + x(C(x) - 1) - \frac{x^3(1-3x)}{(1-x)^3(1-2x)} \\
 &\quad + xA(x) + (1-2x)C(x) - 1.
 \end{aligned}$$

Solving this equation for  $A(x) = F_T(x)$ , we have the following result.

**Theorem 37.** *Let  $T = \{1432, 2431, 3214\}$ . Then*

$$F_T(x) = \frac{(1-x)^4(1-2x)C(x) - x(1-4x+6x^2-5x^3)}{(1-x)(1-2x)(1-4x+5x^2-3x^3)}.$$

3.13. **Case 165:** {1342, 2314, 3421}. Note that all three patterns contain 231.

**Theorem 38.** Let  $T = \{1342, 2314, 3421\}$ . Then

$$F_T(x) = \frac{(1-2x)(1-x)^4 C(x) - x(1-4x+6x^2-5x^3+x^4)}{(1-x)^4(1-3x+x^2)}.$$

*Proof.* Let  $G_m(x)$  be the generating function for  $T$ -avoiders with  $m$  left-right maxima. Clearly,  $G_0(x) = 1$  and  $G_1(x) = xF_T(x)$ .

Let us write an equation for  $G_2(x)$ . Let  $\pi = i\pi'n\pi'' \in S_n(T)$  with 2 left-right maxima. Say there are  $k$  letters  $j_1, j_2, \dots, j_k$  in  $\pi''$  that are smaller than  $i$ . Since  $\pi$  avoids 3421, we see that  $j_1 < j_2 < \dots < j_k$ . Since  $\pi$  avoids 2314 and 1342, we can write  $\pi$  as

$$i\alpha^{(1)}\alpha^{(2)} \dots \alpha^{(k+1)}n\beta^{(1)}j_1\beta^{(2)} \dots j_k\beta^{(k+1)}$$

such that  $i > \alpha^{(1)} > j_1 > \alpha^{(2)} > j_2 > \dots > \alpha^{(k)} > j_k > \alpha^{(k+1)}$  and  $n > \beta^{(1)} > \beta^{(2)} > \dots > \beta^{(k+1)} > i$ . Furthermore, each of  $\alpha^{(1)}, \alpha^{(k+1)}, \beta^{(1)}, \beta^{(k+1)}$  avoids 231 and all other  $\alpha$ 's and  $\beta$ 's avoid 12. Three cases:

- If  $\alpha^{(1)}$  has a rise then  $\alpha^{(j)} = \beta^{(j)} = \emptyset$  for all  $j = 2, 3, \dots, k+1$ . So we have a contribution of  $x^{k+2}C(x)(C(x) - 1/(1-x))$ .
- If  $\alpha^{(1)}$  is decreasing and  $\beta^{(1)}$  has a rise, then  $\alpha^{(j)} = \beta^{(j)} = \emptyset$  for all  $j = 2, 3, \dots, k+1$ . So we have a contribution of  $x^{k+2}/(1-x)C(x)(C(x) - 1/(1-x))$ .
- If  $\alpha^{(1)}$  and  $\beta^{(1)}$  are decreasing then  $\alpha^{(j)}, \beta^{(j)}$  are decreasing for all  $j = 2, 3, \dots, k$ . So we have a contribution of  $x^{k+2}/(1-x)^{2k}C(x)^2$ .

Hence,

$$G_2(x) = \sum_{k \geq 1} x^{k+2}C(x) \left( C(x) - \frac{1}{1-x} \right) + \sum_{k \geq 1} \frac{x^{k+2}}{1-x} C(x) \left( C(x) - \frac{1}{1-x} \right) + \sum_{k \geq 0} \frac{x^{k+2}}{(1-x)^{2k}} C(x)^2,$$

which implies

$$G_2(x) = \frac{x^2((1-x)(1-3x+2x^2)C(x)^2 - x(1-3x+x^2))}{(1-x)^3(1-3x+x^2)}.$$

For  $G_m(x)$  with  $m \geq 3$ , a  $T$ -avoider  $\pi$  decomposes as in Figure 15 in Case 133 since that case also avoids 1342 and 2314, and furthermore,  $\alpha_1, \dots, \alpha_{m-1}$  all avoid 231 (or  $i_m$  is the 4 of a 2314),  $\alpha_m$  avoids 231 (or  $i_1$  is the 1 of a 1342), and  $\beta_m$  is increasing (or  $i_1i_m$  is the 34 of a 3421). Hence,

$$G_m(x) = \frac{x^m}{1-x} C(x)^m.$$

Summing over  $m \geq 3$  and using the expressions for  $G_0(x), G_1(x)$  and  $G_2(x)$ , we obtain

$$F_T(x) = 1 + xF_T(x) + \frac{x^2((1-x)(1-3x+2x^2)C(x)^2 - x(1-3x+x^2))}{(1-x)^3(1-3x+x^2)} + \frac{x^3C(x)^3}{(1-x)(1-xC(x))}.$$

Solve for  $F_T(x)$  and use the identity  $C(x) = 1 + xC(x)^2$  repeatedly to complete the proof.  $\square$



3.14. **Case 175:**  $\{1423, 2341, 3142\}$ . The first and last patterns contain 312 and  $\{312, 2341\}$ -avoiders have generating function  $L(x)$  given by [12, A116703]

$$L(x) = \frac{(1-x)^3}{1-4x+5x^2-3x^3}.$$

Let  $L_m(x)$  denote the generating function for  $\{312, 2341\}$ -avoiders with  $m$  left-right maxima so that  $L(x) = \sum_{m \geq 0} L_m(x)$ .

**Theorem 39.** *Let  $T = \{1423, 2341, 3142\}$ . Then*

$$F_T(x) = \frac{1-6x+12x^2-11x^3+5x^4}{1-7x+17x^2-20x^3+12x^4-2x^5}.$$

*Proof.* Let  $G_m(x)$  be the generating function for  $T$ -avoiders with  $m$  left-right maxima. Clearly,  $G_0(x) = 1$  and  $G_1(x) = xF_T(x)$ .

For  $G_2(x)$ , define  $G_2(x; r)$  to be the generating function for  $T$ -avoiders  $\pi = (n-r)\pi' n \pi''$  so that  $G_2(x) = \sum_{r \geq 1} G_2(x; r)$ . Since  $\pi$  avoids 1423, we see that  $n-1, n-2, \dots, n-r+1$  occur in that order and so  $\pi$  has the form  $\pi = (n-r)\alpha_1 n \alpha_2 (n-1) \cdots \alpha_r (n-r+1) \alpha_{r+1}$ . Since  $\pi$  avoids 3142, we see that  $\alpha_1 > \alpha_2 > \cdots > \alpha_r$ .

If  $\alpha_{r+1}$  is not empty, then  $\alpha_j$  is decreasing for  $j = 1, 2, \dots, r$  since  $\pi$  avoids 2341, and  $\alpha_{r+1}$  avoids  $T$ . So we have a contribution of  $\frac{x^{r+1}}{(1-x)^r} (F_T(x) - 1)$ . If  $\alpha_{r+1}$  is empty, then by removing the letter  $n-r+1$ , we have a contribution of  $x G_2(x; r-1)$ . Thus, for  $r \geq 2$ ,

$$(7) \quad G_2(x; r) = x G_2(x; r-1) + \frac{x^{r+1}(F_T(x) - 1)}{(1-x)^r}.$$

Considering whether  $\pi''$  is empty or not, we find that  $G_2(x; 1) = x^2 F_T(x) + \frac{x^2}{1-x} (F_T(x) - 1)$ .

Summing (7) over  $r \geq 2$ , we obtain

$$G_2(x) = \frac{x^2}{1-x} F_T(x) + \frac{x^2}{(1-x)^2} F_T(x) + \frac{x^3}{(1-x)^2(1-2x)} (F_T(x) - 1).$$

For  $G_m(x)$  with  $m \geq 3$ , suppose  $\pi = i_1 \pi^{(1)} i_2 \pi^{(2)} \cdots i_m \pi^{(m)} \in S_n(T)$  has  $m \geq 3$  left-right maxima. Since  $\pi$  avoids 2341, certainly  $\pi^{(j)} > i_1$  for  $j \geq 3$ .

If  $\pi^{(2)} > i_1$ , then  $i_2 \pi^{(2)} \cdots i_m \pi^{(m)}$  avoids 312 (or  $i_1$  is the 1 of a 1423) and the contribution is  $x F_T(x) L_{m-1}(x)$ .

If  $\pi^{(2)} \not> i_1$ , then  $i_1 > 1$  and  $\pi^{(j)} > i_2$  for  $j \geq 3$  and  $1 \in \pi^{(2)}$  (or  $i_1 i_2$  is the 314 of a 3142). Thus,  $i_1 \pi^{(1)} i_2 \pi^{(2)}$  and  $i_3 \pi^{(3)} \cdots i_m \pi^{(m)}$  respectively contribute factors of  $G_2(x) - x F_T(x) L_1(x)$  and  $L_{m-2}(x)$ .

Hence, for all  $m \geq 3$ ,

$$G_m(x) = x F_T(x) L_{m-1}(x) + (G_2(x) - x F_T(x) L_1(x)) L_{m-2}(x).$$

Summing over  $m \geq 3$ ,

$$F_T(x) - G_2(x) - G_1(x) - 1 = x F_T(x) (L(x) - L_1(x) - 1) + (G_2(x) - x F_T(x) L_1(x)) (L(x) - 1).$$

Clearly,  $L_1(x) = \frac{x}{1-x}$ . Substitute for  $G_1, G_2, L, L_1$  and solve for  $F_T(x)$ .  $\square$

3.15. **Case 176:**  $\{1342, 2431, 3412\}$ . Note that all three patterns contain 231, and the first two contain 132.

**Theorem 40.** *Let  $T = \{1342, 2431, 3412\}$ . Then*

$$F_T(x) = \frac{(1-x)^2(1-4x+6x^2-5x^3+x^4)C(x) - 1 + 6x - 14x^2 + 15x^3 - 8x^4 + x^5}{x(1-3x+x^2)(1-x+x^3)}.$$

*Proof.* Let  $G_m(x)$  be the generating function for  $T$ -avoiders with  $m$  left-right maxima. Clearly,  $G_0(x) = 1$  and  $G_1(x) = xF_T(x)$ .

For  $G_2(x)$ , suppose  $\pi = i\pi'n\pi'' \in S_n(T)$  has 2 left-right maxima. If  $\pi'' > i$ , then  $\pi''$  avoids 231 (or  $i$  is the 1 of a 1342) while  $\pi'$  avoids  $T$ , and the contribution is  $x^2F_T(x)C(x)$ . Otherwise,  $\pi''$  has  $d \geq 1$  letters smaller than  $i$  and these letters are decreasing left to right (or  $in$  is the 34 of a 3412) and form an interval of integers (or  $n$  is the 4 of a 2431). So  $\pi$  decomposes as in Figure 22, where

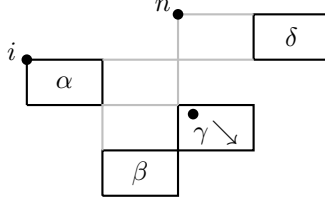


FIGURE 22. A  $T$ -avoider  $i\pi'n\pi''$  with 2 left-right maxima and  $\pi'' \not> i$

$\gamma$  is nonempty decreasing and  $\gamma$  is on the left of  $\delta$  (or  $in$  is the 24 of a 2431) and  $\alpha$  is on the left of  $\beta$  (or  $nj_1$  is the 42 of a 1342). Also,  $\delta$  avoids 231 (or  $i$  is the 1 of a 1342), while  $\alpha$  avoids both 132 (or  $j_1$  is the 4 of a 2431) and 3412 and  $\beta$  avoids  $T$ .

If  $\alpha$  is decreasing, the contribution is  $\frac{x^3}{(1-x)^2}C(x)F_T(x)$ . If  $\alpha$  is not decreasing, then  $\beta$  is decreasing (to avoid 3412) and the contribution is  $\frac{x^3}{1-x}C(x)(K(x) - \frac{1}{1-x})$ , where  $K(x) = \frac{1-2x}{1-3x+x^2}$  is the generating function for  $\{132, 3412\}$ -avoiders [12, Seq. A001519]. Hence,

$$G_2(x) = x^2C(x)F_T(x) + \frac{x^3}{(1-x)^2}C(x)F_T(x) + \frac{x^3}{1-x}C(x) \left( K(x) - \frac{1}{1-x} \right).$$

For  $G_m(x)$  with  $m \geq 3$ , suppose  $\pi = i_1\pi^{(1)}i_2\pi^{(2)} \dots i_m\pi^{(m)} \in S_n(T)$  has  $m \geq 3$  left-right maxima. If  $\pi^{(m)} > i_{m-1}$ , then  $\pi$  avoids  $T$  if and only if  $i_1\pi^{(1)} \dots i_{m-1}\pi^{(m-1)}$  avoids  $T$  and  $\pi^{(m)}$  avoids 231, which gives a contribution of  $xG_{m-1}(x)C(x)$ .

If  $\pi^{(m)} \not> i_{m-1}$ , then  $\pi$  decomposes as in Figure 23, where the shaded regions are empty for the reason indicated,  $\alpha_m$  is left of  $\delta$  (or  $i_{m-1}i_m$  is the 24 of a 2431),  $\alpha_1 > \alpha_2$  (a violator  $uv$  and  $a$  in  $\alpha_m$  makes  $ui_2va$  a 2431), and  $\alpha_2 \dots \alpha_m$  is decreasing (or  $i_1i_2$  is the 34 of a 3412). Also,  $\alpha_1$  avoids both 132 (since  $\alpha_m \neq \emptyset$ ) and 3412, and  $\delta$  avoids 231. Thus, we have a contribution of  $\frac{x^{m+1}}{(1-x)^{m-1}}K(x)C(x)$ .

Hence, for  $m \geq 3$ ,

$$G_m(x) = xG_{m-1}(x)C(x) + \frac{x^{m+1}}{(1-x)^{m-1}}K(x)C(x).$$

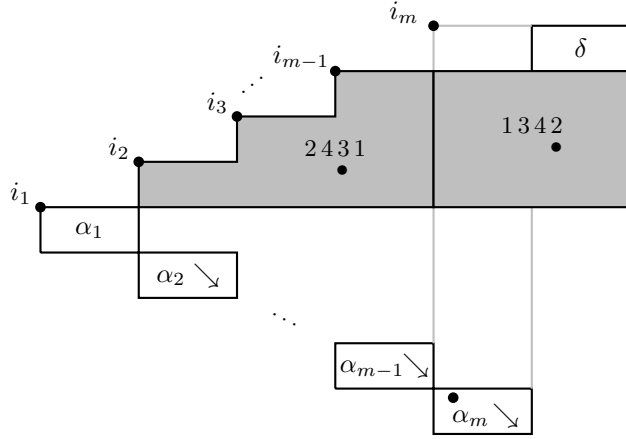


FIGURE 23. A  $T$ -avoider with  $m \geq 3$  left-right maxima and  $\pi^{(m)} \not\prec i_{m-1}$

Summing this recurrence over  $m \geq 3$ , we obtain

$$F_T(x) = 1 + xF_T(x) + G_2(x) + xC(x)(F_T(x) - 1 - xF_T(x)) + \frac{x^4}{(1-x)^2} \left( K(x) - \frac{1}{1-x} \right) C(x),$$

and, substituting for  $G_2(x)$ , the result follows by solving for  $F_T(x)$ .  $\square$

3.16. **Case 178:**  $\{1342, 2314, 2431\}$ . Note that all three patterns contain 231.

**Theorem 41.** *Let  $T = \{1342, 2314, 2431\}$ . Then*

$$F_T(x) = \frac{(1-x)^2(1-4x+6x^2-5x^3+x^4)C(x) - 1 + 6x - 14x^2 + 15x^3 - 8x^4 + x^5}{x(1-3x+x^2)(1-x+x^3)}.$$

*Proof.* Let  $G_m(x)$  be the generating function for  $T$ -avoiders with  $m$  left-right maxima. Clearly,  $G_0(x) = 1$  and  $G_1(x) = xF_T(x)$ .

For  $G_2(x)$ , suppose  $\pi = i\pi'n\pi'' \in S_n(T)$ . If  $i = n-1$ , the contribution is  $x(F_T(x) - 1)$ . Otherwise, we denote the contribution by  $H$ . So  $G_2(x) = x(F_T(x) - 1) + H$ . Now let us write a formula for  $H$ . Here,  $i < n-1$  and  $\pi$  decomposes as in Figure 24a), where  $\alpha$  is left of  $\beta$  (or  $in$  is the 24 of a

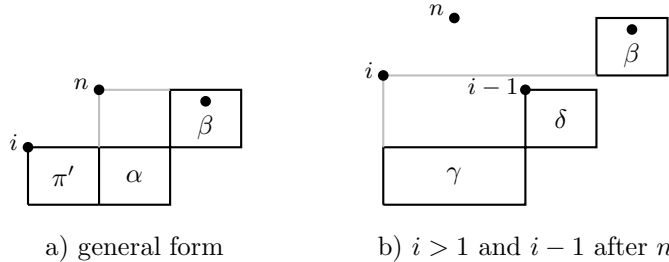


FIGURE 24. A  $T$ -avoider  $i\pi'n\pi''$  with 2 left-right maxima and  $i < n-1$

2431),  $\beta \neq \emptyset$  and avoids 231 (or  $i$  is the 1 of a 1342), and  $\pi'\alpha$  also avoids 231 (or  $n$  is the 4 of a 2314). Four cases:

- If  $i = 1$ , then  $\pi'\alpha = \emptyset$  and the contribution is  $x^2(C(x) - 1)$ .
- If  $i > 1$  and  $i - 1$  occurs in second position, the contribution is  $xH$ .
- If  $i > 1$  and  $i - 1$  occurs before  $n$  but not in second position, let  $a$  denote the smallest letter that occurs before  $i - 1$ . We have  $a = 1$  (or  $a(i - 1)1b$  is a 2314 for  $b$  in  $\beta$ ) and  $\alpha = \emptyset$  (or  $a(i - 1)n$  is the 134 of a 1342). So  $\pi'$  is a 231-avoider of length  $\geq 2$  in which 1 precedes its maximal letter, and  $\beta > i > \pi'$  is a 231-avoider of length  $\geq 1$ , giving a contribution of  $x^2\left((C(x) - 1 - x) - x(C(x) - 1)\right)(C(x) - 1) = x^5C(x)^5$  in compact form.
- If  $i > 1$  and  $i - 1$  occurs after  $n$ , then  $\pi$  has the form in Figure 24b) where  $\gamma < \delta$  because  $\gamma(i - 1)\delta = \pi'\alpha$  avoids 231. Since  $(i - 1)\delta$  is counted by  $xC(x)$ , the contribution is  $xC(x)H$ .

Thus

$$H = x^2(C(x) - 1) + xH + x^5C(x)^5 + xC(x)H,$$

with solution

$$H = \frac{x^2(C(x) - 1) + x^5C(x)^5}{1 - x - xC(x)} = x(C(x) - 1)^2 + x^4C(x)^5(C(x) - 1).$$

For  $G_m(x)$  with  $m \geq 3$ , a  $T$ -avoider  $\pi = i_1\pi^{(1)}i_2\pi^{(2)} \dots i_m\pi^{(m)} \in S_n$  decomposes as illustrated in

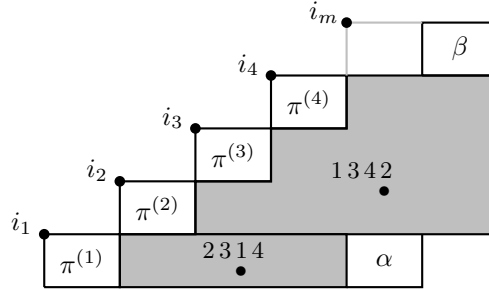


FIGURE 25. A  $T$ -avoider with  $m \geq 3$  left-right maxima

Figure 25 for  $m = 5$ , where  $\alpha$  is left of  $\beta$  (or  $i_{m-1}i_m$  is the 24 of a 2431).

If  $\pi^{(2)} = \pi^{(3)} = \dots = \pi^{(m)} = \emptyset$ , then  $\pi^{(1)}$  avoids 231, and the contribution is  $x^mC(x)$ .

Otherwise, there is a maximal  $p \in [2, m]$  such that  $\pi^{(p)} \neq \emptyset$ . Two cases:

- $1 \leq p \leq m - 1$ . Here,  $\pi$  avoids  $T$  if and only if  $\pi^{(j)}$  avoids 231 for all  $j = 1, 2, \dots, p$ , giving a contribution of  $x^mC(x)^{p-1}(C(x) - 1)$ .
- $p = m$ . Here,  $\pi^{(m)} = \alpha\beta \neq \emptyset$ . Hence, since  $a \in \alpha$  and  $b \in \beta$  makes  $i_1i_2ab$  a 2314, exactly one of  $\alpha$  and  $\beta$  is nonempty.

If  $\alpha \neq \emptyset$ , then  $\pi^{(2)}\pi^{(3)} \dots \pi^{(m-1)} = \emptyset$  (to avoid 2431),  $\pi^{(1)} > \alpha$  (to avoid 1342),  $\pi^{(1)}$  avoids  $\{132, 231\}$ , and  $\alpha$  is nonempty and avoids  $T$ , giving a contribution  $x^mL(F_T(x) - 1)$ , where  $L = \frac{1-x}{1-2x}$  is the generating function for  $\{132, 231\}$ -avoiders [11].

If  $\beta \neq \emptyset$ , then  $\pi^{(j)}$  avoids 231 for all  $j = 1, 2, \dots, m$ , and we have a contribution of  $x^mC(x)^{m-1}(C(x) - 1)$ .

Adding all the contributions, we have

$$G_m(x) = x^m C(x) + x^m L(F_T(x) - 1) + \sum_{p=2}^m x^m C(x)^{p-1} (C(x) - 1).$$

Summing over  $m \geq 3$  and using the expressions for  $G_0, G_1, G_2, L$ , we obtain

$$F_T(x) = 1 - x + 2xF_T(x) + x(C(x) - 1)^2 + x^4 C(x)^5 (C(x) - 1) + \frac{x^3(F_T(x) - 1)}{1 - 2x} + x^3 C^4(x).$$

Solving for  $F_T(x)$  gives an expression which can be written as in the statement of the Theorem.  $\square$

**3.17. Case 182:**  $\{2314, 2431, 3412\}$ . Note that all three patterns in  $T$  contain 231. Let  $G_m(x)$  be the generating function for  $T$ -avoiders with  $m$  left-right maxima. As usual,  $G_0(x) = 1$  and  $G_1(x) = xF_T(x)$ . For  $G_2(x)$ , we begin with  $H(x)$ , the generating function for  $T$ -avoiders of the form  $\pi = (n-1)\pi'n\pi''$ .

**Lemma 42.**

$$H(x) = xC(x) - x.$$

*Proof.* Suppose  $\pi = (n-1)\pi'n\pi''$  is counted by  $H(x)$ . If  $\pi' = \pi'' = \emptyset$ , the contribution is  $x^2$ . Otherwise  $n \geq 3$  and we consider the position of  $n-2$ . If  $n-2$  occurs after  $n$ , then  $\pi''$  is decreasing (to avoid 3412) and  $\pi' < \pi''$  (or  $n(n-2)$  is the 43 of a 2431), and  $\pi'$  avoids 231. So the contribution is  $\frac{x^3}{1-x}C(x)$ . If  $n-2$  occurs before  $n$  and is adjacent to  $n$ , then by removing  $n-2$ , the contribution is  $xH(x)$ . If  $n-2$  occurs before  $n$  but is not adjacent to  $n$ , then  $\pi$  has the form  $(n-1)\alpha(n-2)\beta n\pi''$  with  $\beta \neq \emptyset$ , and  $\alpha < \beta$  (or  $(n-2)n$  is the 34 of a 2314) and  $\alpha < \pi''$  (or, for  $b \in \beta$ ,  $(n-2)b$  is the 43 of a 2431), and  $\alpha$  avoids 231 and  $(n-1)\beta n\pi''$  avoids  $T$ . So the contribution is  $x^2 C(x) \left( H(x) - \frac{x^2}{1-x} \right)$ . Hence,  $H(x) = x^2 + \frac{x^3}{1-x}C(x) + xH(x) + x^2 C(x) \left( H(x) - \frac{x^2}{1-x} \right)$ , leading to  $H(x) = xC(x) - x$ . (Is there a direct bijection from  $T$ -avoiders counted by  $H$  to a manifestation of the Catalan numbers?)  $\square$

**Lemma 43.**

$$G_2(x) = xC(x) - x + x^2 C(x)(F_T(x) - 1) + \frac{x^3 C(x)^2}{1-x} (F_T(x) - 1).$$

*Proof.* Suppose  $\pi = i\pi'n\pi'' \in S_n(T)$  has 2 left-right maxima.

If  $i = n-1$ , then we have a contribution of  $H(x)$ .

So we assume that  $i \leq n-2$ . If  $\pi'' > i$  then  $\pi$  avoids  $T$  if and only if  $\pi'$  avoids 231 and  $\pi'' \neq \emptyset$  avoids  $T$ , giving a contribution of  $x^2 C(x)(F_T(x) - 1)$ .

Otherwise,  $\pi$  decomposes as in Figure 26, where  $\beta$  consists of the letters in  $\pi''$  that are  $< i$  so that both  $\beta$  and  $\gamma$  are nonempty by assumption and  $p_1, \dots, p_s$ ,  $s \geq 0$ , are the letters in  $\pi'$  that are  $> \beta$ . The letters in  $\beta$  are decreasing (or  $in$  is the 34 of a 3412) and consecutive integers (a vertical gap in  $\beta$  makes  $c \in \gamma$  the 4 of a 2314), and  $\beta$  is left of  $\gamma$  (or  $in$  is the 24 of a 2431). Also, the  $p$ 's are decreasing (or  $b \in \beta$  and  $c \in \gamma$  make  $bc$  the 14 of a 2314) and  $\alpha_k < \alpha_{k+1}$  for all  $k$  (a violator  $uv$  makes  $up_k v n$  a 2314). Each  $\alpha_k$ ,  $1 \leq k \leq s+1$ , avoids 231 and  $\beta \neq \emptyset$  avoids  $T$ . So, for given  $s$ , the contribution is  $\frac{x^3}{1-x} (F_T(x) - 1) x^s C(x)^{s+1}$ . Thus, summing over  $s \geq 0$ , the overall contribution is  $\frac{x^3}{1-x} (F_T(x) - 1) \frac{C(x)}{1-xC(x)} = \frac{x^3 C(x)^2}{1-x} (F_T(x) - 1)$ . Now add the three contributions to get the result.  $\square$

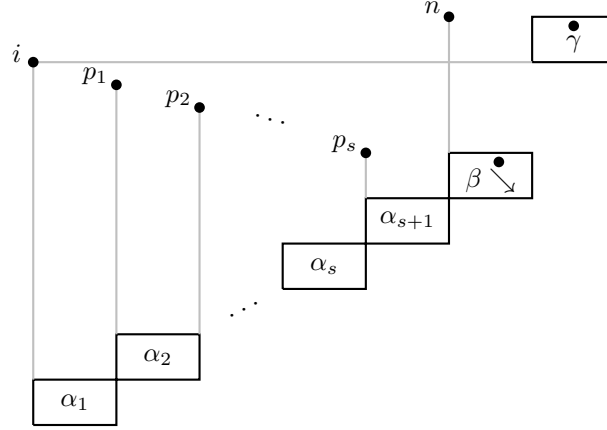


FIGURE 26. A  $T$ -avoider  $i\pi'n\pi''$  with  $\pi'' \not\prec i$  and  $\pi'' \not\succeq i$

**Theorem 44.** Let  $T = \{2314, 2431, 3412\}$ . Then

$$F_T(x) = \frac{1 + x^2(1 - x)C(x)^4}{1 - x(1 - 2x)C(x)^2}.$$

*Proof.* We have found  $G_0, G_1, G_2$ . To write an equation for  $G_m(x)$  with  $m \geq 3$ , it is convenient to define  $P_m(x)$  (respectively,  $L_m(x)$ ) to be the generating function for  $T$ -avoiders  $i_1\pi^{(1)} \dots i_m\pi^{(m)}$  with  $m$  left-right maxima and  $\pi^{(1)} \neq \emptyset$  (respectively,  $\pi^{(2)} = \dots = \pi^{(m-1)} = \emptyset$ ). Now suppose a  $T$ -avoider  $\pi = i_1\pi^{(1)} \dots i_m\pi^{(m)}$  has  $m \geq 3$  left-right maxima. Then  $\pi$  decomposes as illustrated in Figure 27 a) for  $m = 5$ . If  $\pi^{(2)} = \dots = \pi^{(m-1)} = \emptyset$ , then by definition, we have a contribution

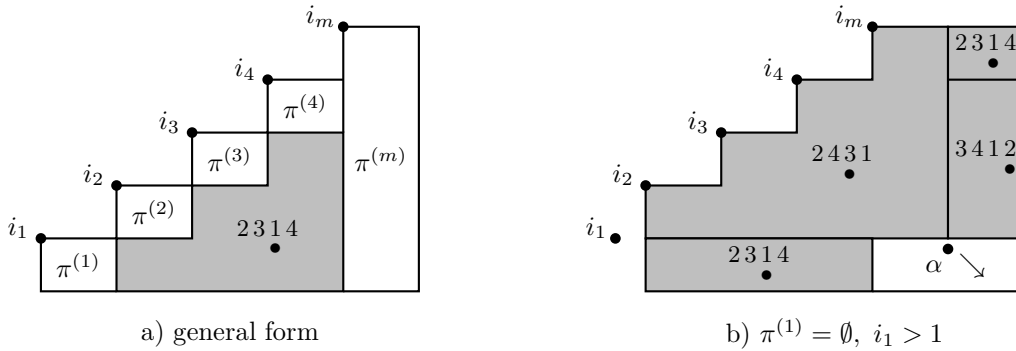


FIGURE 27. A  $T$ -avoider with  $m \geq 3$  left-right maxima

of  $L_m(x)$ . Otherwise, there is a minimal  $j \in [2, m - 1]$  with  $\pi^{(j)} \neq \emptyset$ , and then  $\pi^{(m)} > i_{j-1}$  (or  $i_{j-1}i_j$  is the 24 of a 2431) and  $\pi^{(1)}$  avoids 231. So we have a contribution of  $x^{j-1}C(x)P_{m-(j-1)}(x)$ .

Hence, for  $m \geq 3$ ,

$$G_m(x) = L_m(x) + C(x) \sum_{j=2}^{m-1} x^{j-1} P_{m+1-j}(x).$$

To find  $P_m(x)$ , observe that  $P_m(x) = G_m(x) - Q_m(x)$  where  $Q_m(x)$  is the generating function for  $T$ -avoiders with  $m$  left-right maxima and  $\pi^{(1)} = \emptyset$ . To find  $Q_m(x)$  for  $m \geq 3$ , if  $\pi^{(m)} > i_1$ , the contribution is  $xG_{m-1}(x)$ . Otherwise,  $\pi$  decomposes as in Figure 27 b), where  $\alpha \neq \emptyset$  is decreasing (to avoid 3412), and the contribution is  $\frac{x^{m+1}}{1-x}$ .

Thus,

$$(8) \quad \begin{aligned} P_m(x) &= G_m(x) - xG_{m-1}(x) - \frac{x^{m+1}}{1-x}, \quad m \geq 3, \\ &= G_2(x) - \frac{x^2}{1-x} F_T(x), \quad m = 2, \end{aligned}$$

the  $m = 2$  case by a similar decomposition.

It remains to find an equation for  $L_m(x)$ . Suppose  $m \geq 3$  and  $\pi$  is counted by  $L_m(x)$ , so  $\pi^{(s)} = \emptyset$  for  $s = 2, 3, \dots, m-1$ . If  $\pi^{(m)}$  contains a letter smaller than  $i_1$ , then  $\pi^{(m)} < i_1$  just as in Figure 27 b). Deleting  $i_2, \dots, i_{m-1}$ , we have a contribution of  $x^{m-2}(H(x) - x^2C(x))$ . So we can assume that  $\pi^{(m)} > i_1$ . If  $\pi^{(m)}$  contains a letter between  $i_{j-1}$  and  $i_j$  for some  $j \in [2, m-1]$ , then  $\pi^{(m)} = (i_j - 1)(i_j - 2) \cdots (i_{j-1} + 1)$  and the contribution is  $\frac{x^{m+1}}{1-x}C(x)$ . Otherwise,  $\pi^{(m)} > i_{m-2}$ , and in this case  $\pi^{(m)} = (i_{m-1} - 1) \cdots (i_{m-2} + 1)\beta$  with  $\beta > i_{m-1}$  a  $T$ -avoider, which implies a contribution of  $\frac{x^m}{1-x}C(x)F_T(x)$ . Hence,

$$(9) \quad L_m(x) = x^{m-2}(H(x) - x^2C(x)) + (m-2)\frac{x^{m+1}}{1-x}C(x) + \frac{x^m}{1-x}C(x)F_T(x).$$

Summing (8) over  $m \geq 2$ ,

$$P(x) := \sum_{m \geq 2} P_m(x) = (1-x)(F_T(x) - 1 - xF_T(x)) - \frac{x^2}{1-x}F_T(x) - \frac{x^4}{(1-x)^2}.$$

Summing (9) over  $m \geq 3$  and using Lemma 42, we have

$$L(x) := \sum_{m \geq 3} L_m(x) = x^2C(x) - \frac{x^2}{1-x} + \frac{x^4}{(1-x)^3}C(x) + \frac{x^3}{(1-x)^2}C(x)F_T(x).$$

Hence, by computing  $\sum_{m \geq 3} G_m(x)$ , we obtain

$$F_T(x) - 1 - xF_T(x) - G_2(x) = L(x) + \frac{x}{1-x}C(x)P(x).$$

The result follows by substituting for  $L, P$ , and  $G_2$  and solving for  $F_T(x)$ . □

### 3.18. Case 190: {3142, 2314, 1423}.

**Theorem 45.** *Let  $T = \{3142, 2314, 1423\}$ . Then*

$$F_T(x) = \frac{(1-2x)(1-3x+x^2)^2}{(1-x)(1-8x+22x^2-24x^3+8x^4-x^5)}.$$

*Proof.* Let  $G_m(x)$  be the generating function for  $T$ -avoiders with  $m$  left-right maxima. Clearly,  $G_0(x) = 1$  and  $G_1(x) = xF_T(x)$ .

We can reduce the  $m \geq 3$  case to the  $m = 2$  case. A  $T$ -avoider  $\pi = i_1\pi^{(1)}i_2\pi^{(2)} \cdots i_m\pi^{(m)}$  with  $m \geq 3$  left-right maxima has  $\pi^{(j)} > i_{j-1}$  for  $j \in [2, m-1]$  (to avoid 2314), and so  $\pi$  decomposes as in Figure 28, where  $i_j\alpha_j$  is decreasing for  $j \in [2, m-1]$  (1423) and consists of consecutive

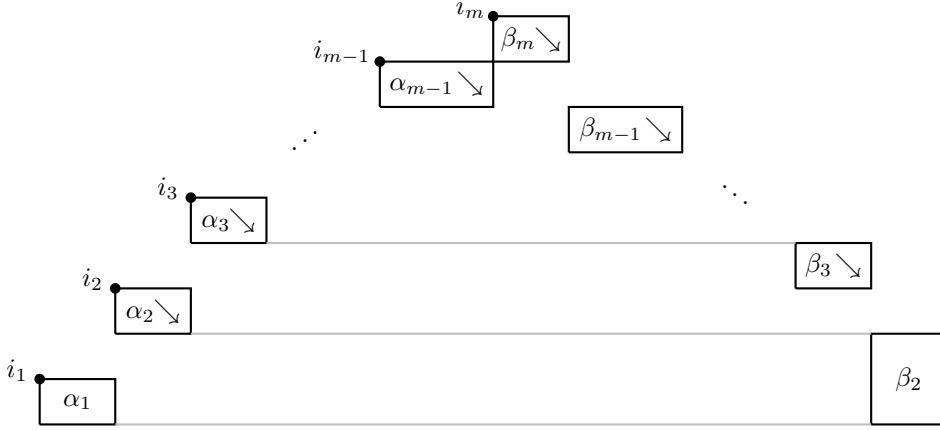


FIGURE 28. A  $T$ -avoider with  $m \geq 3$  left-right maxima

integers (a gap would imply a 3142),  $\beta_m\beta_{m-1} \cdots \beta_3$  is decreasing and lies to the left of  $\beta_2$  (1423), and  $i_1\alpha_1i_2\beta_2$  avoids  $T$  and has 2 left-right maxima. Hence, for  $m \geq 3$  (and even for  $m = 2$ ),

$$(10) \quad G_m(x) = \frac{x^{m-2}}{(1-x)^{2m-4}} G_2(x).$$

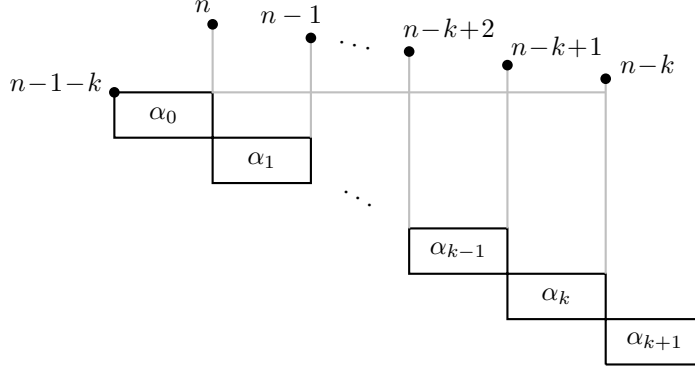
Now, we focus on the case  $m = 2$ . Fix  $k \geq 0$  and let  $\pi = (n-1-k)\pi'n\pi'' \in S_n(T)$  with 2 left-right maxima. Then  $\pi$  decomposes as in Figure 29, where  $\alpha_j > \alpha_{j+1}$  for all  $j$  (a violator  $a_j < a_{j+1}$  makes  $(n-1-k)a_j(n-j)a_{j+1}$  a 3142). If  $\alpha^{(0)}, \alpha^{(1)}, \dots, \alpha^{(k-1)}$  are all decreasing, we see that  $\pi$  avoids  $T$  if and only if  $\alpha^{(k)}$  avoids both 231 and 1423 and  $\alpha^{(k+1)}$  avoids  $T$ . Thus, we have a contribution of  $\frac{x^{k+2}}{(1-x)^k} K(x) F_T(x)$ , where  $K(x) = \frac{1-2x}{1-3x+x^2}$  is the generating function for {231, 1423}-avoiders [12, Seq. A001519].

Otherwise, there is a minimal  $j \in [0, k-1]$  such that  $\alpha_j$  is not decreasing. Here,  $\alpha_0, \alpha_1, \dots, \alpha_{j-1}$  are all decreasing;  $\alpha_j$  is not decreasing and avoids 231 and 1423;  $\alpha^{(i)} = \emptyset$  for  $i \in [j+1, k]$  (since  $a \in \alpha_i$  makes  $a(n-k)$  the 14 of a 2314); and  $\alpha^{(k+1)}$  avoids  $T$ . Hence, we have a contribution of  $\frac{x^{k+2}}{(1-x)^j} (K(x) - \frac{1}{1-x}) F_T(x)$ .

Summing contributions over  $k$  and  $j$ ,

$$\begin{aligned} G_2(x) &= \sum_{k \geq 0} \left( \frac{x^{k+2}}{(1-x)^k} K(x) F_T(x) + \sum_{j=0}^{k-1} \frac{x^{k+2}}{(1-x)^j} \left( K(x) - \frac{1}{1-x} \right) F_T(x) \right) \\ &= \frac{x^2(1-4x+5x^2-x^3)}{(1-3x+x^2)(1-2x)(1-x)} F_T(x). \end{aligned}$$




 FIGURE 29. A  $T$ -avoider with 2 left-right maxima

Now sum (10) over  $m \geq 3$  and use the expressions for  $G_0, G_1, G_2$  to obtain

$$F_T(x) = 1 + xF_T(x) + \frac{x^2(1-x)(1-4x+5x^2-x^3)}{(1-2x)(1-3x+x^2)^2}F_T(x),$$

and the result follows by solving for  $F_T(x)$ .  $\square$

### 3.19. Case 192: $\{1243, 1342, 2431\}$ .

**Theorem 46.** *Let  $T = \{1243, 1342, 2431\}$ . Then*

$$F_T(x) = \frac{(1-5x+9x^2-6x^3)(C(x)-1)-x^3}{x(1-2x)(1-x)^2}.$$

*Proof.* Let  $G_m(x)$  be the generating function for  $T$ -avoiders with  $m$  left-right maxima. Clearly,  $G_0(x) = 1$  and  $G_1(x) = xF_T(x)$ .

For  $G_2(x)$ , let  $\pi = i\pi'n\pi'' \in S_n(T)$  with 2 left-right maxima. If  $\pi'' < i$  then we have a contribution of  $x(F_T(x) - 1)$ . Otherwise,  $\pi''$  has a letter greater than  $i$  and, since  $\pi$  avoids 1243, we have that  $\pi'$  is decreasing, say  $j_1 > j_2 > \dots > j_d$ . Then, since  $\pi$  avoids 2431, we can express  $\pi$  as

$$\pi = ij_1j_2 \dots j_d n \alpha_{d+1} \alpha_d \dots \alpha_0$$

where  $\alpha_{d+1} < j_d < \alpha_d < \dots < j_1 < \alpha_1 < i < \alpha_0 < n$  and  $\alpha_0 \neq \emptyset$ . If  $\alpha_s$  is increasing for all  $s = 0, 1, \dots, d$ , then  $\alpha_{d+1}$  avoids  $T$  and we have a contribution of  $\frac{x^{d+3}}{(1-x)^{d+1}}F_T(x)$ . Otherwise, there is a minimal  $k \in [0, d]$  such that  $\alpha_k$  is not increasing. Then  $\alpha_s$  is increasing for  $s \in [0, k-1]$ ; avoids both 132 and 231 for  $s = k$ ; is empty for  $s \in [k+1, d]$ ; and is decreasing for  $s = d+1$ . Thus, with  $L(x) = \frac{1-x}{1-2x}$  denoting the generating function for  $\{132, 231\}$ -avoiders [11], the contribution is  $\frac{x^{d+2}}{1-x}(L(x) - \frac{1}{1-x})$  for  $k = 0$  and  $\frac{x^{d+3}}{(1-x)^{k+1}}(L(x) - \frac{1}{1-x})$  for  $k \in [1, d]$ .

Summing the contributions,

$$\begin{aligned} G_2(x) &= x(F_T(x) - 1) + \sum_{d \geq 0} \frac{x^{d+3}}{(1-x)^{d+1}} F_T(x) \\ &\quad + \sum_{d \geq 0} \left( \frac{x^{d+2}}{1-x} + \sum_{k=1}^d \frac{x^{d+3}}{(1-x)^{k+1}} \right) \left( L(x) - \frac{1}{1-x} \right) \\ &= x(F_T(x) - 1) + \frac{x^3}{1-2x} F_T(x) + \frac{x^4}{(1-x)(1-2x)^2}. \end{aligned}$$

For  $G_m(x)$  with  $m \geq 3$ , let  $\pi = i_1 \pi^{(1)} i_2 \pi^{(2)} \dots i_m \pi^{(m)} \in S_n(T)$  with  $m$  left-right maxima. If  $\pi^{(m)} = \emptyset$  then we have a contribution of  $xG_{m-1}(x)$ . Otherwise,  $\pi$  decomposes as in Figure 30, where  $\pi^{(j)} > \pi^{(j+1)}$  for  $j = 1, \dots, m-2$  (a violator  $a_j < a_{j+1}$  and  $b \in \pi^{(m)}$  makes  $a_j i_j a_{j+1} b$  a

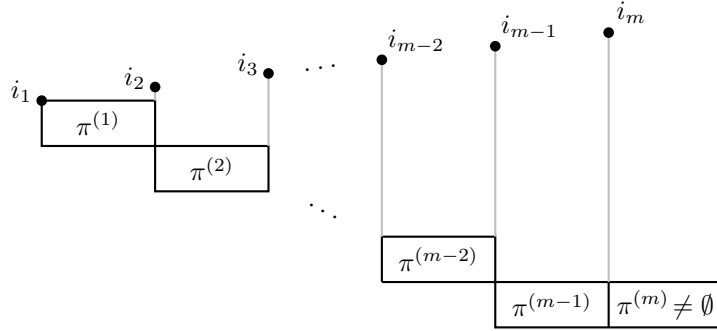


FIGURE 30. A  $T$ -avoider with  $m \geq 3$  left-right maxima and  $\pi^{(m)} \neq \emptyset$

2431);  $\pi^{(j)}$  avoids 1324 for  $j = 1, \dots, m-2$  (or  $\pi^{(m)}$  contains the 1 of a 2431);  $\pi^{(m-1)} i_m \pi^{(m)}$  is a  $T$ -avoider with max entry not in last position. Hence, for  $m \geq 3$ ,

$$G_m(x) = xG_{m-1}(x) + x^{m-1} C(x)^{m-2} (F_T(x) - 1 - xF_T(x)).$$

Summing this recurrence over  $m \geq 3$  and using the expressions for  $G_0, G_1, G_2$ , we obtain an equation for  $F_T(x)$  with solution as stated.  $\square$

**3.20. Case 194:**  $\{3124, 4123, 1243\}$ . We define  $a(n) = |S_n(T)|$  and define  $a(n; i_1, i_2, \dots, i_m)$  to be the number of permutations  $\pi = \pi_1 \pi_2 \dots \pi_n$  in  $S_n(T)$  such that  $\pi_1 \pi_2 \dots \pi_m = i_1 i_2 \dots i_m$ . Clearly,  $a(n; 1) = |S_{n-1}(\{3124, 4123, 132\})|$ , and  $H(x) := \sum_{n \geq 0} |S_n(\{132, 3124, 4123\})| x^n$  is given by  $H(x) = 1 + \frac{x(1-x)^2}{(1-2x)^2}$ .

Set  $b(n; i) = a(n; i, i+1)$  and  $b'(n; i) = a(n; i, n)$ . As in other cases, one can obtain the following relations.

**Lemma 47.** For  $n \geq 4$ ,

$$\begin{aligned}
 a(n; i, n) &= a(n; i, n-1), & \text{if } 1 \leq i \leq n-2, \\
 a(n; i, j) &= a(n-1; i, j) + b(n; i-1), & \text{if } 2 \leq i < j \leq n-1, \\
 a(n; i, j) &= \sum_{k=1}^j a(n-1; i-1, k), & \text{if } 1 \leq j < i-1 \leq n-2, \\
 a(n; i, i-1)a(n-1, i-1), & & \text{if } 2 \leq i \leq n, \\
 b(n; i) &= \sum_{k=1}^i b(n-1; k), & 1 \leq i \leq n-1, \\
 a(n; n-1) &= a(n-1), \\
 a(n; n) &= a(n-1), \\
 b(n; n) &= 0.
 \end{aligned}$$

Define  $A^-(x; w, v) = \sum_{n \geq 2} \sum_{i=1}^n \sum_{j=1}^{i-1} a(n; i, j) w^i v^{j-1}$ .

**Proposition 48.**

$$A^-(x; 1, 1) = xC(x)(F_T(x) - 1).$$

*Proof.* By Lemma 47, we have  $a(n; i, j) = \sum_{k=1}^j a(n-1; i-1, k)$ , for  $1 \leq j < i-1 \leq n-1$ . Define  $A_{n,i}^-(v) = \sum_{j=1}^{i-1} a(n; i, j) v^{j-1}$ . Multiplying the last recurrence by  $v^{j-1}$  and summing over  $j = 1, 2, \dots, i-2$ , we obtain

$$A_{n,i}^-(v) - a(n; i, i-1)v^{i-2} = \frac{1}{1-v} (A_{n-1,i-1}^-(v) - v^{i-2}A_{n-1,i-1}^-(1)),$$

which, by Lemma 47, implies

$$A_{n,i}^-(v) = \frac{1}{1-v} (A_{n-1,i-1}^-(v) - v^{i-2}A_{n-1,i-1}^-(1)) + a(n; i-1)v^{i-2}$$

with  $A_{n,1}^-(v) = 0$ .

Define  $A_n^-(w, v) = \sum_{i=1}^n A_{n,i}^-(v) w^i$  and  $A_n(v) = \sum_{i=1}^n a(n; i) v^{i-1}$ . Multiplying the last recurrence by  $w^i$  and summing over  $i = 2, 3, \dots, n$ , we obtain

$$A_n^-(w, v) = \frac{w}{v(1-v)} (vA_{n-1}^-(w, v) - A_{n-1}^-(wv, 1)) + w^2 A_{n-1}(wv)$$

with  $A_1^-(w, v) = 0$ . Hence,

$$A^-(x; w, v) = \frac{wx}{v(1-v)} (vA^-(x; w, v) - A^-(x; wv, 1)) + xw^2(A(x; wv) - 1).$$

By taking  $w = (1-v)/x$ , we obtain

$$A^-(x; (1-v)v/x, 1) = v(1-v)^2/x(A(x; (1-v)v/x) - 1),$$

which, by taking  $v = 1/C(x)$ , leads to  $A^-(x; 1, 1) = xC(x)(A(x; 1) - 1)$ , as required.  $\square$

Define  $B'_n(v) = \sum_{i=1}^{n-1} b'(n; i) v^{i-1}$  and  $B_n(v) = \sum_{i=1}^{n-1} b(n; i) v^{i-1}$ , and their generating functions by  $B'(x; v) = \sum_{n \geq 3} B'_n(v) x^n$  and  $B(x; v) = \sum_{n \geq 2} B_n(v) x^n$ .

**Lemma 49.** *We have*

$$B(x; v) = \frac{x^2(1 - vC(xv))}{1 - x - v}$$

and

$$B'(x; v) = \frac{2x^3 + vB(x; v) - x^2(v + x)C(xv)}{1 - 2x}.$$

*Proof.* By Lemma 47, we have  $b(n; n) = 0$  and  $b(n; i) = b(n - 1; 1) + \dots + b(n - 1; i)$ . Multiplying by  $v^{i-1}$  and summing over  $i = 1, 2, \dots, n - 1$ , we obtain

$$B_n(v) = \frac{1}{1 - v}(B_{n-1}(v) - v^{n-1}B_{n-2}(1))$$

with  $B_2(v) = 1$ . Hence,

$$B(x/v; v) = x^2/v^2 + \frac{x}{v(1 - v)}(B(x/v; v) - B(x; 1)).$$

By taking  $v = 1/C(x)$ , we have that  $B(x; 1) = x^2C^2(x) = x(C(x) - 1)$ , and then

$$B(x; v) = \frac{x^2(1 - vC(xv))}{1 - x - v}.$$

By Lemma 47, we have  $b'(n; n - 1) = b'(n; n - 2) = C_{n-2}$ , and

$$b'(n; i) = a(n; i, n) = a(n; i, n - 1) = a(n - 1; i, n - 1) + a(n - 1; i, n - 2) + b(n; i - 1),$$

which gives that

$$b'(n; i) = 2b'(n - 1; i) + b(n; i - 1)$$

with  $b'(n; n - 1) = b'(n; n - 2) = C_{n-2}$ . By multiplying the last recurrence by  $v^{i-1}$  and summing over  $i = 1, 2, \dots, n - 3$ , we obtain

$$\begin{aligned} B'_n(v) &= C_{n-2}(v^{n-2} + v^{n-3}) + 2(B'_{n-1}(v) - C_{n-3}v^{n-3}) \\ &\quad + v(B_n(v) - b(n; n - 3)v^{n-4} - b(n; n - 2)v^{n-3} - b(n; n - 1)v^{n-2}). \end{aligned}$$

By the first part of the proof, we see that  $b(n; n - 1) = b(n; n - 2) = C_{n-2}$  and  $b(n; n - 3) = C_{n-2} - C_{n-3}$ . Thus,  $B'_3(v) = 1 + v$  and

$$B'_n(v) = 2B'_{n-1}(v) + vB_n(v) - (C_{n-3} + C_{n-2}v^2)v^{n-3}.$$

Hence,

$$B'(x; v) = (1 + v)x^3 + 2xB'(x; v) + v(B(x; v) - (1 + v)x^3 - x^2) - x^3(C(xv) - 1) - vx^2(C(xv) - 1 - xv),$$

which leads to

$$B'(x; v) = \frac{2x^3 + vB(x; v) - x^2(v + x)C(xv)}{1 - 2x},$$

as claimed.  $\square$

Define  $A^+(x; v) = \sum_{n \geq 2} \sum_{i=1}^n \sum_{j=i+1}^n a(n; i, j)v^{j-1-i}$ .

**Proposition 50.** *We have*

$$A^+(x; 1) = \frac{(x^4 - 2x^3 + 5x^2 - 4x + 1)C(x) - x^3 - 2x^2 + 3x - 1}{(1 - 2x)^2}.$$

*Proof.* By Lemma 47, we have  $a(n; i, n) = b'(n; i)$  and

$$a(n; i, j) = a(n-1; i, j) + a(n-1; i, j-1) + b(n; i-1),$$

for all  $2 \leq i < j \leq n-1$ . Define  $A_{n;i}^+(v) = \sum_{j=i+1}^n a(n; i, j)v^{j-1-i}$ . Thus,

$$A_{n;i}^+(v) - b'(n; i)v^{n-1-i} = A_{n-1;i}^+(v) + v(A_{n-1;i}^+(v) - b'(n-1; i)v^{n-2-i}) + \frac{1-v^{n-1-i}}{1-v}b(n; i-1),$$

which leads to

$$(11) \quad A_{n;i}^+(v) = b'(n; i)v^{n-1-i} - b'(n-1; i)v^{n-1-i} + (1+v)A_{n-1;i}^+(v) + \frac{1-v^{n-1-i}}{1-v}b(n; i-1),$$

for all  $i = 2, 3, \dots, n-2$ . Note that  $A_{n;n-1}^+(v) = a(n; n-1, n) = C_{n-2}$ . Moreover,  $A_{n;n}^+(v) = 0$ .

Define  $A_n^+(v) = \sum_{i=1}^n A_{n;i}^+(v)$ . By summing (11) over  $i = 2, 3, \dots, n-2$ , using  $b'(n; 1) = 2^{n-3}$  and  $b'(n; n-1) = b(n; n-2) = C_{n-2}$  (see Lemma 49), we have

$$\begin{aligned} A_n^+(v) &= A_{n;1}^+(v) + (B'_n(1/v) - 2^{n-3})v^{n-2} - (B'_{n-1}(1/v) - 2^{n-4})v^{n-2} \\ &\quad + (1+v)(A_{n-1}^+(v) - A_{n-1;1}^+(v)) + \frac{1}{1-v}(B_n(1) - v^{n-3}B_n(1/v)) + C_{n-2}/v, \end{aligned}$$

Let  $\sum_{n \geq 2} A_{n;1}^+(v)x^n = G(x; v)$ . Multiplying by  $x^n$  and summing  $n \geq 4$ , we obtain

$$\begin{aligned} (1 - (1+v)x)A^+(x; v) &= (1 - (1+v)x)G(x; v) + \frac{1-vx}{v^2}B'(vx; 1/v) - x^3v - \frac{v^2x^4}{1-2vx} \\ &\quad + \frac{1}{1-v}(B(x; 1) - \frac{1}{v^3}B(vx; 1/v)) + \frac{x^2}{v}C(x). \end{aligned}$$

By Lemma 49, we have

$$\lim_{v \rightarrow 1} \frac{1}{1-v}(B(x; 1) - \frac{1}{v^3}B(vx; 1/v)) + x^2C(x) = (1-3x+x^2)C(x) - 1 + 2x.$$

Hence, by the fact that  $G(x; 1) = xH(x) - x - x^2$ , we have

$$\begin{aligned} A^+(x; 1) &= xH(x) + \frac{1-x}{1-2x}B'(x; 1) - \frac{x(1-x)^2}{1-2x} - \frac{x^4}{(1-2x)^2} \\ &\quad + \frac{1-3x+x^2}{1-2x}C(x) - 1. \end{aligned}$$

By Lemma 49 and the formula for  $H(x)$ , we complete the proof.  $\square$

**Theorem 51.** Let  $T = \{3124, 4123, 1243\}$ . Then

$$F_T(x) = \frac{(1-5x+9x^2-8x^3+4x^4)C(x) - (1-5x+9x^2-6x^3+x^4)}{x(1-2x)^2}$$

*Proof.* By Propositions 48 and 50, we have that

$$\begin{aligned} F_T(x) - 1 - x &= xC(x)(F_T(x) - 1) \\ &\quad + \frac{(x^4 - 2x^3 + 5x^2 - 4x + 1)C(x) - x^3 - 2x^2 + 3x - 1}{(1-2x)^2}. \end{aligned}$$

By solving for  $F_T(x)$  we complete the proof.  $\square$

3.21. **Case 197:**  $\{2413, 3241, 2134\}$ . Note that all three patterns contain 213.

**Theorem 52.** *Let  $T = \{2413, 3241, 2134\}$ . Then*

$$F_T(x) = \frac{1 - 5x + 9x^2 - 7x^3 + x^4 + (1 - 5x + 9x^2 - 9x^3 + 3x^4)\sqrt{1 - 4x}}{(1 - x)(1 - 6x + 12x^2 - 11x^3 + 3x^4 + (1 - 4x + 6x^2 - 5x^3 + x^4)\sqrt{1 - 4x})}.$$

*Proof.* Let  $G_m(x)$  be the generating function for  $T$ -avoiders with  $m$  left-right maxima. Clearly,  $G_0(x) = 1$  and  $G_1(x) = xF_T(x)$ . Now suppose  $m \geq 2$  and  $\pi = i_1\pi^{(1)}i_2\pi^{(2)} \cdots i_m\pi^{(m)} \in S_n(T)$  has  $m$  left-right maxima. We have  $\pi^{(j)} = \emptyset$  for all  $j = 1, 2, \dots, m - 2$  (or  $i_{m-1}i_m$  the 34 of a 2134). We consider two cases:

- $\pi^{(m-1)} = \emptyset$ . Here,  $\pi$  has the form illustrated in Figure 31, where  $\alpha_{j+1}$  lies to the left of

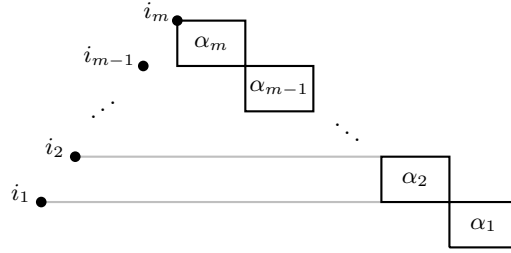


FIGURE 31. A  $T$ -avoider with  $\pi^{(m-1)} = \emptyset$

$\alpha_j$ ,  $j = 1, 2, \dots, m - 1$  (or  $i_j i_{j+1}$  is the 24 of a 2413). If  $\alpha_{m-1} = \cdots = \alpha_1 = \emptyset$ , then we have a contribution of  $x^m F_T(x)$ . Otherwise, let  $j \in \{1, 2, \dots, m - 1\}$  be the minimal index such that  $\alpha_j \neq \emptyset$ . Then  $\alpha_1 = \cdots = \alpha_{j-1} = \emptyset$  while  $\alpha_j$  avoids  $T$  and  $\alpha_{j+1}, \dots, \alpha_m$  all avoid 213 (or  $u \in \alpha_j$  is the “1” of a 3241). So we have a contribution of  $x^m C(x)^{m-j} (F_T(x) - 1)$ . Hence, the total contribution for this case is

$$x^m F_T(x) + x^m (F_T(x) - 1) \sum_{j=1}^{m-1} C(x)^j.$$

- $\pi^{(m-1)} \neq \emptyset$ . Since  $\pi^{(m-1)}$  is nonempty, there is a maximal  $j \in \{1, 2, \dots, m - 1\}$  such that  $\pi^{(m-1)}$  has a letter between  $i_{j-1}$  and  $i_j$  ( $i_0 := 0$ ) and then  $\pi$  has the form illustrated in Figure 32, where  $\beta_k$  lies to the left of  $\beta_{k-1}$ ,  $k = 2, 3, \dots, j$  (or  $i_{k-1}i_k$  is the 24 of a 2413),  $\alpha'$  lies to the left of  $\alpha''$  (or  $i_j i_m$  is the 24 of a 2413),  $\alpha'$  is decreasing (or  $i_j u$  with  $u \in \beta_j$  forms the 21 of a 2143), and shaded regions are empty for the reason indicated.
  - If  $\beta_1 = \cdots = \beta_{j-1} = \emptyset$  and  $\beta_j$  is increasing, then  $\pi$  avoids  $T$  if and only if  $\alpha''$  avoids  $T$ . So, we have a contribution of

$$\frac{x^{m+1}}{(1-x)^2} F_T(x).$$

- If  $\beta_1 = \cdots = \beta_{j-1} = \emptyset$  and  $\beta_j$  is not increasing, then  $\pi$  avoids  $T$  if and only if  $\alpha''$  is decreasing and  $\beta_j$  avoids 213. Thus, we have a contribution of

$$\frac{x^m}{(1-x)^2} \left( C(x) - \frac{1}{1-x} \right).$$

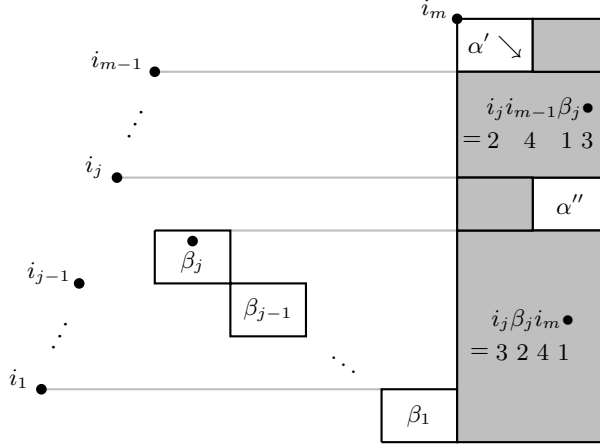


FIGURE 32. A  $T$ -avoider with  $\pi^{(m-1)} \neq \emptyset$

– If  $\beta_1 \cdots \beta_{j-1} \neq \emptyset$  (and so  $j \geq 2$ ), then  $\pi$  avoids  $T$  if and only if  $\alpha'' = \emptyset$  and  $\beta_k$  avoids 213 for all  $k = 1, 2, \dots, j$ . Thus, we have a contribution of

$$\frac{x^m}{1-x} (C(x)^{j-1} - 1)(C(x) - 1).$$

Since  $j$  can be any integer in  $\{1, 2, \dots, m-1\}$ , the total contribution in case  $\pi^{(m-1)} \neq \emptyset$  is given by

$$\frac{(m-1)x^{m+1}}{(1-x)^2} F_T(x) + \frac{(m-1)x^m}{(1-x)^2} \left( C(x) - \frac{1}{1-x} \right) + \frac{x^m(C(x)-1)}{1-x} \sum_{j=2}^{m-1} (C(x)^{j-1} - 1).$$

We have now obtained an expression for  $G_m(x)$  in terms of  $F_T(x)$  and  $C(x)$  for all  $m$ . The identity  $F_T(x) = \sum_{m \geq 0} G_m(x)$  yields the following equation for  $F_T(x)$ ,

$$F_T(x) = \frac{1 - 5x + 9x^2 - 9x^3 + 3x^4 + x^3(1-x)C(x)}{(1-x)^5} + \frac{x C(x)(1 - 3x + 4x^2 - x^3 - x^3 C(x))}{(1-x)^4} F_T(x),$$

with the stated solution. □

**3.22. Case 198:**  $\{1234, 1423, 2341\}$ . We consider both left-right maxima and right-left maxima. Let  $G_m(x)$  be the generating function for  $T$ -avoiders with  $m$  left-right maxima. Since  $T$  contains 1234,  $G_m(x) = 0$  for all  $m \geq 4$ . Most of the work is in finding  $G_2(x)$ . For this purpose, it is convenient to introduce, for  $d \geq 1$ , the auxiliary generating function  $H_d(x)$  that counts  $T$ -avoiders  $\pi$  of the form  $(n-1-d)n\pi'$ . Set  $H(x) = \sum_{d \geq 1} H_d(x)$ . By deleting the second letter, namely  $n$ , we see that  $H(x)/x = G_2(x)$ . So our efforts will be directed toward finding an expression for  $H(x)$ .

In a  $T$ -avoider  $(n-1-d)n\pi'$  counted by  $H_d(x)$ , the  $d+1$  letters  $n, n-1, \dots, n-d$  occur in that order (to avoid 1423) and hence are all right-left maxima, and we refine  $H_d(x)$  to  $H_{d,e}(x)$ ,  $e \geq 0$ , where  $d+1+e$  is the number of right-left maxima. We also need for  $d, e \geq 1$ ,  $J_{d,e}(x)$ , the generating function for  $T$ -avoiders  $\pi = (n-1-d)n\pi' \in S_n(T)$  with  $d+1+e$  right-left maxima and at least one letter between  $n$  and  $n-1$  smaller than the last letter of  $\pi$ , and  $J_d(x) = \sum_{e \geq 1} J_{d,e}(x)$ .

**Lemma 53.** For  $d \geq 2$  and  $e \geq 1$ ,

$$H_{d,e}(x) = xH_{d-1,e}(x) + \sum_{j=0}^{e-1} \frac{x^2}{(1-x)^{j+1}} H_{d-1+j,e-j}(x) + J_{d,e}(x).$$

*Proof.* Let us write an equation for  $H_{d,e}(x)$ . Let  $\pi = (n-1-d)n\alpha(n-1)\pi'' \in S_n(T)$  where the  $d+1+e$  right-left maxima of  $\pi$  are  $j_{e+1} = 0 < j_e < j_{e-1} < \dots < j_1 < j_0 = n-d < \dots < n-1 < n$ . If  $\alpha$  is empty then we have a contribution of  $xH_{d-1,e}(x)$ . Thus, we can assume that  $\alpha$  has a letter between  $j_s$  and  $j_{s-1}$ , where  $1 \leq s \leq e+1$ . Note that  $\alpha$  is decreasing because  $d \geq 2$ . For  $1 \leq s \leq e$ , since  $\pi$  avoids  $T$ , we see that there is no letter greater than  $j_s$  on the right side of  $n-1$ . Thus, the number of permutations  $\pi$  is the number of permutations of the form  $(n-d-t)n\pi''$ , for some  $t$ , that avoid  $T$  and contain  $d+e$  right-left maxima. Hence, for given  $t$ , we have a contribution  $\frac{x^2}{(1-x)^t} H_{d-2+t,e+1-t}(x)$ . If  $s = e+1$ , the contribution is  $J_{d,e}(x)$ . Summing all contributions,

$$H_{d,e}(x) = xH_{d-1,e}(x) + \sum_{j=0}^{e-1} \frac{x^2}{(1-x)^{j+1}} H_{d-1+j,e-j}(x) + J_{d,e}(x),$$

as required.  $\square$

**Lemma 54.** For  $d \geq 2$ ,

$$H_{d,0}(x) = x^{d+2}C(x) + \sum_{j=1}^{d-1} \frac{x^{d+2}}{(1-x)^j} (C(x) - 1).$$

*Proof.* For  $d = 1$ , the avoiders are  $(n-2)n\alpha(n-1)$  where  $\alpha$  avoids 123, and so  $H_{1,0}(x) = x^3C(x)$ . For  $d \geq 2$ , an avoider can be written as  $\pi = (n-d-1)n\alpha^{(1)}(n-1) \dots \alpha^{(d)}(n-d)$ . The contribution when  $\alpha^{(d)} = \emptyset$  is  $xH_{d-1,0}(x)$ . If  $\alpha^{(d)} \neq \emptyset$ , then  $\alpha^{(1)} \dots \alpha^{(d-1)}$  is decreasing, giving a contribution of  $\frac{x^{d+2}}{(1-x)^{d-1}} (C(x) - 1)$ . Hence,

$$H_{d,0}(x) = xH_{d-1,0}(x) + \frac{x^{d+2}}{(1-x)^{d-1}} (C(x) - 1),$$

and the lemma follows by induction on  $d$ .  $\square$

**Lemma 55.** For  $d, e \geq 1$ ,

$$\begin{aligned} J_{d,e}(x) &= J'_{d,e}(x) + \sum_{j=1}^{d+e-1} \frac{x^{d+e+3}}{(1-x)^{j+e}} (C(x) - 1), \text{ where} \\ J'_{d,e}(x) &= J''_{d,e}(x) + \frac{x^{d+e+2}}{(1-x)^e} (C(x) - 1), \text{ and} \\ J''_{d,e}(x) &= \sum_{j=1}^e \frac{x^{d+e+4}}{(1-x)^j(1-2x)} C(x). \end{aligned}$$

*Proof.* To write a recurrence for  $J_{d,e}(x)$ , suppose  $\pi = (n-d-1)n\pi'(n-1)\pi''$  where  $\pi'$  has a letter smaller than the rightmost letter  $p$  of  $\pi''$ . Then  $\pi''$  has the form  $\beta^{(2)}(n-2) \dots \beta^{(d)}(n-d)\beta^{(d+1)}j_1 \dots \beta^{(d+e)}j_e$ , where  $(n-2) > \dots > n-d > j_1 > \dots > j_e$  are the right-left maxima of  $\pi''$ . We denote the contribution of the case  $\pi'' > p$  by  $J'_{d,e}(x)$ . Thus, we can assume that  $\pi''$  has a letter smaller than  $p$ , so there exists  $j$  such that  $\beta^{(j)} \neq \emptyset$  and  $\beta^{(i)} = \emptyset$  for all  $i = j+1, \dots, d+e$ . Since  $\pi$  avoids  $T$ , we see that  $\pi' > \beta^{(2)} > \dots > \beta^{(j)}$ ;  $\pi', \beta^{(2)}, \dots, \beta^{(j-1)}$  are decreasing;  $\beta^{(j)}$  avoids



123; and  $\pi'$  is partitioned into  $e + 1$  decreasing subsequences. Thus, we have a contribution of  $\frac{x^{d+e+3}}{(1-x)^{j+e}}(C(x) - 1)$ . Adding the contributions, we obtain

$$J_{d,e}(x) = J'_{d,e}(x) + \sum_{j=1}^{d+e-1} \frac{x^{d+e+3}}{(1-x)^{j+e}}(C(x) - 1).$$

To find  $J'_{d,e}(x)$ , suppose  $\pi = (n - d - 1)n\pi'(n - 1)\pi''$  where  $\pi'$  has a letter smaller than the rightmost letter  $p$  of  $\pi''$  and  $\pi'' > p$ . If  $\pi'$  can be decomposed as  $\alpha\alpha'$  with  $\alpha > p > \alpha' \neq \emptyset$ , then we have a contribution of  $\frac{x^{d+e+2}}{(1-x)^e}(C(x) - 1)$ . Otherwise, we denote the contribution by  $J''_{d,e}(x)$ . By adding over all contributions, we obtain

$$J'_{d,e}(x) = J''_{d,e}(x) + \frac{x^{d+e+2}}{(1-x)^e}(C(x) - 1).$$

Lastly, let us write a recurrence for  $J''_{d,e}(x)$ . If  $\pi$  is counted by  $J''_{d,e}(x)$ , then there exists  $t$ ,  $1 \leq t \leq e$ , such that

$$\pi = (n - d - 1)n\alpha^{(1)}\alpha^{(2)} \cdots \alpha^{(t)}\beta^{(1)}k_1\beta^{(2)}k_2 \cdots \beta^{(r)}k_r\beta^{(r+1)}(n - 1)(n - 2) \cdots (n - d)j_1j_2 \cdots j_e,$$

where  $\beta^{(1)} \neq \emptyset$ ;  $\alpha^{(1)} \cdots \alpha^{(t)}k_1k_2 \cdots k_r$  is decreasing with  $j_{t-1} > \alpha^{(t)}k_1k_2 \cdots k_r > j_t$  ( $j_0 = n - d - 1$ );  $\beta^{(1)} \cdots \beta^{(r-1)}$  is decreasing; and  $\beta^{(r)}$  avoids 123. Hence,

$$J''_{d,e}(x) = \sum_{t=1}^e \frac{x^{d+e+4}}{(1-x)^t(1-2x)}C(x),$$

as claimed.  $\square$

Recall  $H_d(x) = \sum_{e \geq 0} H_{d,e}(x)$  and  $J_d(x) = \sum_{e \geq 1} J_{d,e}(x)$  and define  $H(x; v) = \sum_{d \geq 1} H_d(x)v^d$ ,  $J(x; v) = \sum_{d \geq 1} J_d(x)v^d$  and  $E(x; v) = \sum_{d \geq 1} H_{d,0}(x)v^d$ .

**Proposition 56.** *We have*

$$H_1(x) = x^2(F_T(x) - 1);$$

$$J_d(x) = \frac{x^{d+4}C(x)}{(1-2x)^2} - \frac{x^{d+4}C(x)}{(1-x)(1-2x)} + \frac{x^{d+4}C(x)^2}{(1-x)^{d-1}(1-3x+x^2)} \quad \text{for } d \geq 1;$$

$$J(x; v) = \frac{vx^5C(x)}{(1-2x)^2(1-xv)} - \frac{vx^5C(x)}{(1-x)(1-xv)(1-2x)} + \frac{vx^5(1-x)C(x)^2}{(1-3x+x^2)(1-x-xv)};$$

$$E(x; v) = \frac{vx^3((1-x)C(x) - vx)}{(1-xv)(1-x-xv)}.$$

*Proof.* By definition,  $H_1(x)$  counts  $T$ -avoiders in  $S_n$  whose first two letters are  $(n - 2)n$ . Deleting these letters, we see that  $H_1(x) = x^2(F_T(x) - 1)$ . Lemma 55 gives

$$J_{d,e}(x) = \frac{x^{d+e+3}C(x)}{(1-x)^e(1-2x)} - \frac{x^{d+e+3}C(x)}{1-2x} + \frac{x^{d+e+3}C(x)^2}{(1-x)^{2e+d-1}},$$

and the second assertion follows by summing over  $e \geq 1$ . The third assertion is a routine computation and the fourth follows from Lemma 54.  $\square$

**Proposition 57.**

$$H(x; 1) = \frac{x(x^3 - 7x^2 + 5x - 1)}{(1-x)(1-2x)} - \frac{x(3x^3 - 9x^2 + 6x - 1)}{(1-x)^2}C(x) + x^2C(x)F_T(x).$$

*Proof.* By Lemma 53, we have that for all  $d \geq 1$ ,

$$H_d(x) - H_{d,0}(x) = \frac{x}{1-x}(H_{d-1}(x) - H_{d-1,0}(x)) + J_d(x) + \frac{x^2}{(1-x)^2} \sum_{j \geq d} \frac{1}{(1-x)^j} (H_j(x) - H_{j,0}(x)).$$

Multiplying by  $v^d$  and summing over  $d \geq 2$ , we obtain

$$(12) \quad \begin{aligned} H(x; v) &= H_1(x)v + E(x; v) - H_{1,0}(x)v + \frac{xv}{1-x}(H(x; v) - E(x; v)) + J(x; v) - J_1(x)v \\ &+ \frac{vx^2 \left( -H(x; v) + v(1-x)H(x; \frac{1}{1-x}) + E(x; v) - v(1-x)E(x; \frac{1}{1-x}) \right)}{(1-x)(1-v+xv)}. \end{aligned}$$

Taking  $v = C(x)$ , equation (12) reduces to

$$\begin{aligned} H(x; \frac{1}{1-x}) &= H_1(x)C(x)^2 + E(x; C(x)) - H_{1,0}(x)C(x)^2 - \frac{x C(x)^2}{1-x} E(x; C(x)) \\ &+ J(x; C(x))C(x) - J_1(x)C(x)^2 \\ &- \frac{1}{(1-x)C(x)} \left( E(x; C(x)) - (1-x)E(x; \frac{1}{1-x})C(x) \right) \\ &= x^2C(x)^2F_T(x) - \frac{2x^2 - 4x + 1}{1-x} - \frac{x^5 - 16x^4 + 36x^3 - 28x^2 + 9x - 1}{(1-2x)^2(1-x)}C(x). \end{aligned}$$

By (12) with  $v = 1$ , we have

$$H(x; 1) = H_1(x) + E(x; 1) - H_{1,0}(x) + J(x; 1) - J_1(x) + x \left( H(x; \frac{1}{1-x}) - E(x; \frac{1}{1-x}) \right).$$

Using the expression for  $H(x; \frac{1}{1-x})$ ,  $H_{1,0}(x) = x^3C(x)$  and Proposition 56, we obtain

$$H(x; 1) = \frac{x(x^3 - 7x^2 + 5x - 1)}{(1-x)(1-2x)} - \frac{x(3x^3 - 9x^2 + 6x - 1)}{(1-x)^2}C(x) + x^2C(x)F_T(x).$$

□

**Theorem 58.** *We have*

$$F_T(x) = \frac{(1 - 7x + 18x^2 - 19x^3 + 6x^4)C(x) - (1 - 6x + 12x^2 - 8x^3 + x^4)}{x^2(1-x)(1-2x)}.$$

*Proof.* By Proposition 57, we have

$$G_2(x) = \frac{H(x)}{x} = \frac{H(x; 1)}{x} = \frac{x^3 - 7x^2 + 5x - 1}{(1-x)(1-2x)} - \frac{3x^3 - 9x^2 + 6x - 1}{(1-x)^2}C(x) + xC(x)F_T(x).$$

Now let us write a formula for  $G_3(x)$ . Let  $\pi = i_1\pi^{(1)}i_2\pi^{(2)}i_3\pi^{(3)} \in S_n(T)$  with exactly 3 left-right maxima. Since  $\pi$  avoids 2341, we see that  $\pi^{(3)} > i_1$ . Since  $\pi$  avoids 1423, we see that  $\pi^{(3)}$  is decreasing and the subsequence of the letters between  $i_1$  and  $i_2$  is decreasing. If  $\pi^{(3)} > i_2$  then  $\pi$  avoids  $T$  if and only if  $i_1\pi^{(1)}i_2\pi^{(i_2)}$  avoids 123. Thus, we have a contribution of  $\frac{x}{1-x}(C(x) - 1 - xC(x))$ , where  $C(x) - 1 - xC(x)$  counts the number permutations in  $\pi' \in S_n(\{123\})$  with  $n \geq 2$  such that the first letter is not  $n$ . If  $\pi^{(3)}$  has a letter between  $i_1$  and  $i_2$ , then  $\pi^{(1)}$  is decreasing and  $\pi^{(2)}$  can be decomposed as  $\alpha^{(1)}k_1\alpha^{(2)}k_2 \cdots \alpha^{(m)}k_m\alpha^{(m+1)}$  such that  $\alpha^{(1)} > k_1 > \cdots > \alpha^{(m)} > k_m$ ,

where  $\alpha^{(1)}, \dots, \alpha^{(m)}$  are decreasing and  $\alpha^{(m+1)}$  avoids 123. Thus, we have a contribution of  $\frac{x^4}{(1-x)^3} \frac{1-x}{1-2x} C(x)$ . Hence,

$$G_3(x) = \frac{x}{1-x} (C(x) - 1 - xC(x)) + \frac{x^4}{(1-x)^3} \frac{1-x}{1-2x} C(x).$$

Since  $G_0(x) = 1$ ,  $G_1(x) = xF_T(x)$ , and  $G_m(x) = 0$  for all  $m \geq 4$ , we have

$$\begin{aligned} F_T(x) &= 1 + xF_T(x) + \frac{x^3 - 7x^2 + 5x - 1}{(1-x)(1-2x)} - \frac{3x^3 - 9x^2 + 6x - 1}{(1-x)^2} C(x) + xC(x)F_T(x) \\ &\quad + \frac{x}{1-x} (C(x) - 1 - xC(x)) + \frac{x^4}{(1-x)^3} \frac{1-x}{1-2x} C(x), \end{aligned}$$

and solving for  $F_T(x)$  completes the proof.  $\square$

**3.23. Case 199:**  $\{1243, 1423, 2341\}$ . For this case, we count by the first few entries in an avoider, turn the resulting recurrences into an equation for the generating function, and then solve the equation using the kernel method.

Define  $a(n) = |S_n(T)|$  and  $a(n; i_1, i_2, \dots, i_m) = |\{\pi \in S_n(T) : \text{the first } m \text{ entries in } \pi \text{ are } i_1, i_2, \dots, i_m\}|$  in that order. Then,  $a(n; 1) = |S_{n-1}(\{132, 312, 2341\})| = \binom{n-1}{2} + 1$ . Set  $b(n; i) = a(n; i, n-1)$  and  $b'(n; i) = a(n; i, n)$ .

It is convenient to define the sequence  $w_{n,j}$  via the recurrence relation  $w_{n,j} = w_{n-1,j} + w_{n-1,j-1} + 1$ , for  $n \geq 1$  and  $0 \leq j \leq n$ , with the initial condition  $w_{0,j} = \delta_{j=0}$ . Define  $W_n(v) = \sum_{i=0}^n w_{n,i} v^i$  and  $W(x, v) = \sum_{n \geq 0} W_n(v) x^n$ . Then

$$W_n(v) = (1+v)W_{n-1}(v) + 1 + v + \dots + v^n = (1+v)W_{n-1}(v) + \frac{1-v^{n+1}}{1-v}$$

with  $W_0(v) = 1$ . Thus,  $W(x, v) - 1 = (1+v)xW(x, v) + \frac{x(1+v)-x^2v}{(1-x)(1-xv)}$ , which implies

$$(13) \quad W(x, v) = \frac{1}{(1-x)(1-xv)(1-(1+v)x)}.$$

Since  $\pi$  avoids  $T$ , we have the following recurrences.

**Lemma 59.** *We have  $a(n; 1) = \binom{n-1}{2} + 1$  and*

$$\begin{aligned} a(n; i, j) &= a(n-1; i, j), & \text{if } 1 \leq i < j \leq n-2, \\ a(n; n-1, i) &= a(n-1; i), & \text{if } 1 \leq i \leq n-2, \\ a(n; i, i-1) &= a(n-1, i-1), & 2 \leq i \leq n, \\ a(n; i, i+1) &= a(i-1), & 1 \leq i \leq n-1, \\ a(n; i, j) + w_{i-3, j-1} &= a(n; i+1, j), & 1 \leq j < i-1 < n-1, \\ a(n; n-1, n) &= a(n-2), \\ a(n; n; i) &= a(n-1, i), & \text{if } 1 \leq i \leq n-1. \end{aligned}$$

Also,  $b'(n; i) = \sum_{j=1}^i b'(n-1; j)$  for all  $i = 1, 2, \dots, n-3$  while  $b'(n; n-1) = b'(n; n-2) = a(n-2)$  and  $b'(n; n) = 0$ .

Lastly,  $b(n; i) = b'(n-1; i) + \binom{n-3}{i}$  for all  $i = 1, 2, \dots, n-1$ .  $\square$

Define  $a'(n; i) = \sum_{j=1}^{i-1} a(n; i, j)$  and  $a''(n; i) = \sum_{j=i+1}^n a(n; i, j)$ . Define  $A'_n(v) = \sum_{i=1}^n a'(n; i)v^{i-1}$ ,  $A''_n(v) = \sum_{i=1}^n a''(n; i)v^{i-1}$ , and  $A_n(v) = \sum_{i=1}^n a(n; i)v^{i-1}$ . Define  $A(x, v) = 1+x+\sum_{n \geq 2} A_n(v)x^n$ ,  $A'(x, v) = \sum_{n \geq 2} A'_n(v)x^n$  and  $A''(x, v) = \sum_{n \geq 2} A''_n(v)x^n$ .

**Lemma 60.** *We have*

$$A'(x, v) = \frac{vx}{1-v}A(x, v) - \frac{xv}{1-v}A(vx, 1) + \frac{(vx^2 + vx - 1)v^2x^5}{(1-2vx)(1-(1+v)x)(1-vx)^2(1-x)^2}.$$

*Proof.* Lemma 59 gives  $a(n; i, j) = a(n; i+1, j) - w_{i-3, j-1}$ , which leads to

$$a(n; i, j) = a(n; n-1, j) - w_{n-5, j-1} - \cdots - w_{i-2, j-1} - w_{i-3, j-1}.$$

Thus, since  $a(n; n-1, j) = a(n-1; j)$ , we have that for all  $1 \leq j < i-1 < n-1$ ,

$$(14) \quad a(n; i, j) = a(n-1; j) - w_{n-5, j-1} - \cdots - w_{i-2, j-1} - w_{i-3, j-1}.$$

Then Lemma 59 and (14) yield  $a'(n; 1) = 0$ ,  $a'(n; 2) = a(n-1; 1)$ ,  $a'(n; n-1) = a(n-1) - a(n-2)$ ,  $a'(n; n) = a(n-1)$  and

$$\begin{aligned} a'(n; i+1) - a'(n; i) &= a(n-1; i) + a(n; i+1, i-1) - a(n; i, i-1) + \sum_{j=1}^{i-2} a(n; i+1, j) - a(n; i, j) \\ &= a(n-1; i) - \sum_{i'=i-2}^{n-5} w_{i', i-2} + \sum_{j=0}^{i-2} w_{i-3, j}, \end{aligned}$$

so for all  $i = 2, 3, \dots, n-2$ ,

$$a'(n; i+1) = a'(n; i) + a(n-1; i) - \sum_{i'=i-2}^{n-5} w_{i', i-2} + \sum_{j=0}^{i-3} w_{i-3, j}$$

with  $a'(n; 1) = 0$ ,  $a'(n; 2) = a(n-1; 1)$ ,  $a'(n; n-1) = a(n-1) - a(n-2)$  and  $a'(n; n) = a(n-1)$ . Multiplying by  $v^i$  and summing over  $i = 2, 3, \dots, n-2$ , we have

$$(1-v)A'_n(v) = vA_{n-1}(v) - A_{n-1}(1)v^n - v^2 \sum_{j=0}^{n-5} W_j(v) + \sum_{j=0}^{n-5} W_j(1)v^{j+3}.$$

Multiplying by  $x^n$ , summing over  $n \geq 2$ , and using  $A'_1(v) = 0$ , we obtain

$$A'(x, v) = \frac{vx}{1-v}A(x, v) - \frac{xv}{1-v}A(vx, 1) - \frac{x^5v^2}{(1-x)(1-v)}W(x, v) + \frac{v^3x^5}{(1-x)(1-v)}W(vx, 1).$$

Substituting for  $W$  from (13), we complete the proof.  $\square$

Now define  $B(x, v) = \sum_{n \geq 2} B_n(v)x^n$  and  $B'(x, v) = \sum_{n \geq 2} B'_n(v)x^n$ .

**Lemma 61.**

$$\begin{aligned} A''(x, v) &= \frac{1}{1-x}B(x, v) + B'(x, v), \\ B'(x, v) &= x^2A(vx, 1) + \frac{x^2}{v}(A(vx, 1) - 1) + \frac{x}{1-v}(B'(x, v) - \frac{1}{v^2}B'(vx, 1)), \\ B(x, v) &= xB'(x, v) + \frac{x^4}{(1-(1+v)x)(1-x)}. \end{aligned}$$

*Proof.* By Lemma 59, we have

$$a''(n; i) = \sum_{j=i+1}^n a(n; i, j) = b(n; i) + b'(n; i) + \sum_{j=i+1}^{n-2} a(n-1; i, j),$$

$$a''(n-1; i) = \sum_{j=i+1}^{n-1} a(n-1; i, j) = b'(n-1; i) + \sum_{j=i+1}^{n-2} a(n-1; i, j),$$

which leads to

$$a''(n, i) - a''(n-1, i) = b(n, i) + b'(n; i) - b'(n-1, i),$$

where

$$b'(n; i) = \sum_{j=1}^i b'(n-1; j),$$

$$b(n; i) = b'(n-1; i) + \binom{n-3}{i},$$

for  $1 \leq i \leq n-3$ , while  $b'(n; n-1) = b'(n; n-2) = a(n-2)$  and  $b'(n; n) = 0$ .

Multiplying the above recurrences by  $v^{i-1}$  and summing over  $i$ , we obtain

$$A''_n(v) = A''_{n-1}(v) + B_n(v) + B'_n(v) - B'_{n-1}(v),$$

$$B'_n(v) = A_{n-2}(1)v^{n-2} + A_{n-2}(1)v^{n-3} + \frac{1}{1-v}(B'_{n-1}(v) - v^{n-3}B'_{n-1}(1)),$$

$$B_n(v) = B'_{n-1}(v) + \frac{(1+v)^{n-3} - 1}{v}.$$

with  $A''_1(v) = 0$ ,  $A''_2(v) = 1$ ,  $B'_2(v) = 1$  and  $B_2(v) = 0$ . Multiply by  $x^n$  and sum over  $n \geq 3$  to complete the proof.  $\square$

From Lemmas 60 and 61 and the identity  $A(x, v) = A'(x, v) + A''(x, v) + 1 + x$ , we have

$$(15) \quad \left(1 - \frac{x}{1-v}\right) A\left(\frac{x}{v}, v\right) = 1 + \frac{x}{v} - \frac{x}{1-v} A(x, 1) + \frac{(x^2 + vx - v)x^5}{v(1-2x)(v - (1+v)x)(1-x)^2(v-x)^2}$$

$$+ \frac{v}{v-x} B'(x/v, v) + \frac{x^4}{v(v - (1+v)x)(v-x)^2},$$

$$(16) \quad \left(1 - \frac{x}{v(1-v)}\right) B'\left(\frac{x}{v}, v\right) = \frac{x^2}{v^2} A(x, 1) + \frac{x^2}{v^3} (A(x, 1) - 1) - \frac{x}{v^3(1-v)} B'(x, 1).$$

By substituting  $v = 1 - x$  into (15) and (16) and solving, for  $B'(x/(1-x), 1-x)$  and  $B'(x, 1)$ , we obtain

$$(17) \quad B'(x, 1) = \frac{x(x-1)^2(2x-1)(x^2-x+1)A(x, 1) + x(3x^4 - 7x^3 + 9x^2 - 5x + 1)}{(x-1)^2(2x-1)}.$$

By substituting  $v = \frac{1}{C(x)}$  into (16), we obtain

$$(18) \quad B'(x, 1) = x^2 A(x, 1)(1 + C(x)) - x^2 C(x).$$

Comparing (17) and (18) and solving for  $A(x, 1)$ , we obtain the following result.

**Theorem 62.** *Let  $T = \{1243, 1423, 2341\}$ . Then*

$$F_T(x) = \frac{x(x-1)^2(2x-1)C(x) + 3x^4 - 7x^3 + 9x^2 - 5x + 1}{(xC(x) - (x-1)^2)(x-1)^2(2x-1)}.$$

3.24. **Case 204:**  $\{1243, 1423, 2314\}$ . As in Case 198,  $T$  contains the pattern 1423 and, again,  $H_{d,e}(x)$  denotes the generating function for permutations  $\pi = (n-1-d)n\pi' \in S_n(T)$  with  $d+1+e$  right-left maxima.

**Lemma 63.** For  $d \geq 2$  and  $e \geq 1$ ,

$$(19) \quad H_{d,e}(x) = xH_{d-1,e}(x) + \sum_{j=0}^e \frac{x^2}{(1-x)^{j+1}} H_{d-1+j,e-j}(x).$$

*Proof.* Let us write an equation for  $H_{d,e}(x)$ . Let  $\pi = (n-1-d)n\alpha(n-1)\pi'' \in S_n(T)$  where the  $d+1+e$  right-left maxima of  $\pi$  are  $j_{e+1} = 0 < j_e < j_{e-1} < \dots < j_1 < j_0 = n-d < \dots < n-1 < n$ . If  $\alpha$  is empty then we have a contribution of  $xH_{d-1,e}(x)$ . Thus, we can assume that  $\alpha$  has a letter between  $j_s$  and  $j_{s-1}$ , where  $1 \leq s \leq e+1$ . Note that  $\alpha$  is decreasing because  $d \geq 2$ . Since  $\pi$  avoids  $T$ , we see that there is no letter greater than  $j_s$  on the right side of  $n-1$ . Thus, the number of permutations  $\pi$  is the same as the number of permutations  $(n-d-t)n\pi''$  with  $t \geq 1$  that avoid  $T$  and contain  $d+e$  right-left maxima. Hence, for fixed  $t \geq 1$ , we have a contribution  $x^2/(1-x)^t H_{d-2+t,e+1-t}(x)$ . The result follows by adding contributions.  $\square$

Let  $J(x)$  denote the generating function for  $\{231, 1423, 1243\}$ -avoiders. By the main result of [10],

$$J(x) = \frac{1-3x+3x^2}{(1-x)^2(1-2x)}.$$

As in Case 198, set  $H_d(x) = \sum_{e \geq 0} H_{d,e}(x)$  and  $H(x;v) = \sum_{d \geq 1} H_d(x)v^d$ .

**Lemma 64.** We have that  $H_1(x) = x^2(F_T(x) - 1)$  and  $H_2(x) = x^3C(x)(F_T(x) - 1)$ . Also,  $H(x;1) = x^2C(x)(F_T(x) - 1)$ , and  $H(x; \frac{x}{1-x}) = x^2C(x)^2(F_T(x) - 1)$ .

*Proof.* Suppose  $\pi = (n-1-d)n\pi' \in S_n(T)$  has  $d+1$  right-left-maxima, hence counted by  $H_{d,0}(x)$ . Then  $\pi$  decomposes as

$$\pi = (n-1-d)n\alpha^{(1)}(n-1) \dots \alpha^{(d)}(n-d),$$

where  $\alpha^{(1)} > \dots > \alpha^{(d)}$ ,  $\alpha^{(1)} \dots \alpha^{(d-1)}$  is decreasing, and  $\alpha^{(d)}$  avoids  $\{231, 1423, 1243\}$ . Hence,

$$(20) \quad H_{d,0}(x) = \frac{x^{d+2}}{(1-x)^{d-1}} J(x).$$

Summing (19) over  $e$ , we obtain for  $d \geq 2$ ,

$$H_d(x) - H_{d,0}(x) = \frac{x}{1-x} H_{d-1}(x) - \frac{x}{1-x} H_{d-1,0}(x) + \sum_{j \geq 0} \frac{x^2}{(1-x)^{j+2}} H_{d+j}(x).$$

By (20), we see that  $H_{d,0}(x) = \frac{x}{1-x} H_{d-1,0}(x)$ . Thus, for  $d \geq 2$ ,

$$H_d(x) = \frac{x}{1-x} H_{d-1}(x) + \sum_{j \geq 0} \frac{x^2}{(1-x)^{j+2}} H_{d+j}(x).$$

By looking at the difference  $\frac{1}{1-x} H_d(x) - H_{d-1}(x)$ , we obtain

$$H_d(x) = H_{d-1}(x) - xH_{d-2}(x), \quad d \geq 3.$$

Multiplying by  $v^d$  and summing over  $d \geq 3$ , we have

$$H(x;v) - H_2(x)v^2 - H_1(x)v = v(H(x;v) - H_1(x)v) - xv^2H(x;v),$$

which implies

$$(21) \quad (1 - v + xv^2)H(x; v) = H_2(x)v^2 + H_1(x)v(1 - v).$$

On the other hand,  $H_1(x) = x^2(F_T(x) - 1)$  and, from (21) with  $v = C(x)$ ,

$$H_2(x) = xC(x)H_1(x) = x^3C(x)(F_T(x) - 1).$$

Hence, by (21) with  $v = 1$ , we have  $H(x; 1) = x^2C(x)(F_T(x) - 1)$ . Now, by substituting  $v = 1/(1 - x)$  into (21), we derive that  $H(x; \frac{x}{1-x}) = C(x)^2H_1(x) = x^2C(x)^2(F_T(x) - 1)$ .  $\square$

**Lemma 65.** *We have*

$$G_2(x) = xC(x)(F_T(x) - 1).$$

*Proof.* Refine  $K(x) := G_2(x)$  to  $K_{d,p}(x)$ ,  $d \geq 0$ ,  $p \geq 0$ , the generating function for permutations  $(n - 1 - d)\pi'n\pi'' \in S_n(T)$  where  $\pi'$  has  $p$  letters, and set  $K_d(x) = \sum_{p \geq 0} K_{d,p}(x)$ . Clearly,  $K_0(x) = x(F_T(x) - 1)$ . Now suppose  $d \geq 1$ . Then, since we avoid 1243, the letters of  $\pi'$  are decreasing. By considering the position of  $n - 2 - d$ , we see that, for  $p \geq 1$ ,

$$K_{d,p}(x) = xK_{d,p-1}(x) + K_{d+1,p}(x).$$

Summing over  $p \geq 1$ ,

$$K_d(x) - K_{d,0}(x) = xK_d(x) + K_{d+1}(x) - K_{d+1,0}(x).$$

Since  $K_{d,0}(x) = H_d(x)$ , we have for  $d \geq 1$ ,

$$(22) \quad K_d(x) = \frac{1}{1-x}K_{d+1}(x) + \frac{1}{1-x}H_d(x) - \frac{1}{1-x}H_{d+1}(x).$$

Summing over  $d \geq 1$ ,

$$K(x) - K_0(x) = \frac{1}{1-x}(K(x) - K_0(x) - K_1(x)) + \frac{1}{1-x}H(x; 1) - \frac{1}{1-x}(H(x; 1) - H_1(x)),$$

and hence, using Lemma 64,

$$K(x) = K_0(x) + \frac{1}{x}K_1(x) - x(F_T(x) - 1).$$

Since  $K_0(x) = x(F_T(x) - 1)$ , the last equation implies

$$K(x) = \frac{1}{x}K_1(x).$$

On other hand, by iterating (22), we have that for all  $d \geq 1$ ,

$$K_d(x) = \sum_{j \geq 0} \frac{H_{d+j}(x) - H_{d+1+j}(x)}{(1-x)^{j+1}}.$$

Using this equation with  $d = 1$  and recalling that  $H(x; v) = \sum_{d \geq 1} H_d(x)v^d$ , we have  $K_1(x) = H(x; \frac{1}{1-x}) - (1-x)(H(x; \frac{1}{1-x}) - \frac{H_1(x)}{1-x})$ . Now Lemma 64 implies  $K_1(x) = x^2C(x)(F_T(x) - 1)$ . Since  $G_2(x) = K(x) = \frac{1}{x}K_1(x)$ , the result follows.  $\square$

**Lemma 66.** *We have*

$$G_3(x) = x^2(F_T(x) - 1) + \frac{x}{1-x}(G_2(x) - x(F_T(x) - 1)) + \frac{x^3}{(1-x)^2}(G_2(x) + x).$$

*Proof.* Define  $M(x)$  be the generating function for permutations  $\pi = (n-1)\pi'n\pi'' \in S_n(T)$  such that  $\pi'$  is decreasing. Let us write an equation for  $M(x)$ . The contribution for the case  $\pi' = \emptyset$  is  $x^2F_T(x)$ . By looking at the maximal element of  $\pi'$ , we see that  $\pi'n\pi''$  is counted by  $M(x) + K_1(x) + K_2(x) + K_3(x) + \dots$ , where  $K_d(x)$  is as in Lemma 65, and Lemma 65 implies

$$M(x) = \frac{x^2F_T(x) + x(G_2(x) - x(F_T(x) - 1))}{1-x} = \frac{x}{1-x}(G_2(x) + x).$$

Now, let us write a formula for  $G_3(x)$ . Let  $\pi = i_1\pi^{(1)}i_2\pi^{(2)}i_3\pi^{(3)} \in S_n(T)$ . Then  $\pi^{(2)} > i_1$  (2314) and  $\pi^{(3)} < i_2$  (1243). Considering the three cases, (i)  $\pi^{(2)} = \emptyset$  and  $\pi^{(3)} < i_1$ , (ii)  $\pi^{(2)} \neq \emptyset$  (decreasing) and  $\pi^{(3)} < i_1$ , (iii)  $\pi^{(3)}$  has a letter between  $i_1$  and  $i_2$ , we get the respective contributions (i)  $x^2(F_T(x) - 1)$ , (ii)  $\frac{x}{1-x}(G_2(x) - x(F_T(x) - 1))$ , (iii)  $\frac{x^2}{1-x}M(x)$ .  $\square$

**Theorem 67.** *Let  $T = \{1243, 1423, 2314\}$ . We have*

$$F_T(x) = \frac{x(2x^2 - 2x + 1)C(x) - (3x^2 - 3x + 1)}{x(2x^2 - 2x + 1)C(x) - (1-x)(3x^2 - 3x + 1)}.$$

*Proof.* Let us write an equation for  $G_m(x)$  with  $m \geq 4$ . Let  $\pi = i_1\pi^{(1)} \dots i_m\pi^{(m)} \in S_n(T)$  with  $m \geq 4$  left-right maxima. Then  $\pi^{(m)} < i_2$ ,  $\pi^{(j)} = \emptyset$  for all  $j = 3, 4, \dots, m-1$ , and  $\pi^{(2)} > i_1$ . Hence,  $G_m(x) = xG_{m-1}(x)$ . Summing over  $m \geq 4$ , we obtain

$$F_T(x) - 1 - G_1(x) - G_2(x) - G_3(x) = x(F_T(x) - 1 - G_1(x) - G_2(x)).$$

Using Lemmas 65 and 66,

$$\begin{aligned} F_T(x) &= 1 + xF_T(x) + xC(x)(F_T(x) - 1) + x^2(F_T(x) - 1) \\ &\quad + \frac{x}{1-x} \left( xC(x)(F_T(x) - 1) - x(F_T(x) - 1) \right) \\ &\quad + \frac{x^2}{(1-x)^2} \left( x^2C(x)(F_T(x) - 1) + x^2 \right) + x \left( -xF_T(x) - xC(x)(F_T(x) - 1) + F_T(x) - 1 \right). \end{aligned}$$

Solving for  $F_T(x)$  completes the proof.  $\square$

**3.25. Case 208:**  $\{1234, 1342, 3124\}$ . We consider the left-right minima, left factors that are decreasing (and hence left-right minima), and the position of  $n$  relative to the left-right minima.

Define  $f_{m,p}(x)$ ,  $0 \leq p \leq m-1$ , to be the generating function for permutations  $\pi = \pi_1\pi_2 \dots \pi_n \in S_n(T)$  with  $m$  left-right minima such that the first  $p+1$  letters are all left-right minima, that is,  $\pi_1 > \pi_2 > \dots > \pi_p > \pi_{p+1}$ . Say the left-right minima are  $\pi_1, \pi_2, \dots, \pi_{p+1} = a_{p+1}, a_{p+2}, \dots, a_m$ . Refine  $f_{m,p}(x)$  to  $f_{m,p;i}(x)$ ,  $1 \leq i \leq m-p$ , to count avoiders where  $n$  appears between the letters  $a_{p+i}$  and  $a_{p+i+1}$ . For convenience, set  $f_{m,-1}(x) = f_{m,0}(x)$  and  $f_{m,-1;i}(x) = f_{m,0;i}(x)$  for all  $m, i$ .

**Lemma 68.** *For  $0 \leq p \leq m-1$ ,*

$$f_{m,p}(x) = xf_{m-1,p-1}(x) + \sum_{i=1}^{m-p} f_{m,p;i}(x),$$

and for  $1 \leq i \leq m-p$ ,

$$\begin{aligned} f_{m,p;i}(x) &= xf_{m,p+i-1} + \frac{x^{p+1}}{(1-x)^2} \sum_{j=-1}^{i-2} x^{i-j} f_{m-i+j+1-p;j}(x) \\ &\quad + \frac{x^{3+p}}{(1-x)^3} \sum_{k=0}^{i-1} \sum_{j=k}^{m-i-1+k-p} \frac{x^{i-k}}{(1-x)^{j-k}} f_{m-i+k-p;j}(x). \end{aligned}$$



*Proof.* Suppose  $\pi \in S_n(T)$  is counted by  $f_{m,p}(x)$ . If  $\pi_1 = n$ , the contribution is  $xf_{m-1,p-1}(x)$ . Otherwise, the letter  $n$  appears in  $\pi$  between  $a_{p+i}$  and  $a_{p+i+1}$  for some  $i \in [1, m-p]$ . Thus

$$f_{m,p}(x) = xf_{m-1,p-1}(x) + \sum_{i=1}^{m-p} f_{m,p;i}(x).$$

Now, suppose  $\pi = \pi_1\pi_2 \cdots \pi_{p+1}\pi^{(1)}a_{p+2}\pi^{(2)} \cdots a_m\pi^{(m-p)} \in S_n(T)$  with  $\pi^{(i)} = \alpha^{(i)}n\beta^{(i)}$  is counted by  $f_{m,p;i}(x)$ . Our decomposition is based on looking at the letters that are greater than  $\pi_1$  in  $\pi$ . Set  $\pi' = \pi^{(1)} \cdots \pi^{(i)}$  and  $\pi'' = \pi^{(i+1)} \cdots \pi^{(m-p)}$ . If  $\pi' = \emptyset$ , the contribution is  $xf_{m,p+i-1}(x)$ . If  $\pi' \neq \emptyset$ , then, since  $\pi$  avoids 1234 we have that  $\pi'$  and  $\beta^{(i)}\pi''$  are decreasing, and since  $\pi$  avoids 3124, there exists  $r \in [1, i]$  such that  $\pi^{(r)} \neq \emptyset$ . We consider two cases:

- $\pi'' < \pi_1$ . In this case, we see that  $\pi^{(j)}$  has no letters between  $a_{p+r}$  and  $\pi_1$ . Thus, we have a contribution of  $\frac{x^{2+r+p}}{(1-x)^2} f_{m-r-p,i-1-r}(x)$ .
- there exists  $r' \in [i+1, m-p]$  such that  $\pi^{(r')} \neq \emptyset$  and  $\pi^{(r'+1)} \cdots \pi^{(m-p)} = \emptyset$ . Here we see that  $\pi^{(1)} \cdots \pi^{(r'-1)}$  has no letter between  $\pi_1$  and  $a_{p+r'}$ . Moreover,  $\pi^{(r')} \cdots \pi^{(m-p)}$  has no letter between  $\pi_1$  and  $a_{p+r}$ . Hence, we have a contribution of  $\frac{x^{3+r+p}}{(1-x)^{r'-1}} f_{m-r-p,r'-1-r}(x)$ .

Add all the contributions.  $\square$

By Lemma 68, we have for  $0 \leq p \leq m-1$ ,

$$(23) \quad \begin{aligned} f_{m,p}(x) &= xf_{m-1,p-1}(x) + x \sum_{i=1}^{m-p} f_{m,p+i-1} + \frac{x^{p+1}}{(1-x)^2} \sum_{i=1}^{m-p} \sum_{j=-1}^{i-2} x^{i-j} f_{m-i+j+1-p;j}(x) \\ &+ \frac{x^{3+p}}{(1-x)^3} \sum_{i=1}^{m-p} \sum_{k=0}^{i-1} \sum_{j=k}^{m-i-1+k-p} \frac{x^{i-k}}{(1-x)^{j-k}} f_{m-i+k-p;j}(x). \end{aligned}$$

To solve (23), we define  $F_m(x;v) = \sum_{p=0}^{m-1} f_{m,p}(x)v^p$ . Then (23) can be written as

$$\begin{aligned} f_{m,p}(x) &= xf_{m-1,p-1}(x) + x \sum_{i=p}^{m-1} f_{m,i}(x) \\ &+ \frac{x^{p+3}}{(1-x)^2} \left( \sum_{i=0}^{m-1-p} x^i F_{m-1-p-i}(x;0) + \sum_{i=0}^{m-2-p} x^i F_{m-1-p-i}(x;1) \right) \\ &+ \frac{x^{p+3}}{(1-x)^2} \left( \sum_{i=0}^{m-2-p} \frac{x^i}{1-x} F_{m-1-p-i} \left( x; \frac{1}{1-x} \right) - \sum_{i=0}^{m-2-p} x^i F_{m-1-p-i}(x;1) \right). \end{aligned}$$

Multiplying by  $v^p$  and summing over  $p = 0, 1, \dots, m-1$ , we obtain for  $m \geq 2$ ,

$$\begin{aligned} F_m(x;v) &= x(F_{m-1}(x;0) + vF_{m-1}(x;v)) + \frac{x}{1-v}(F_m(x;1) - vF_m(x;v)) \\ &+ \frac{x^2}{(1-x)^2} \left( \sum_{j=1}^m \frac{x^j(1-v^j)}{1-v} F_{m-j}(x;0) + \sum_{j=1}^{m-1} \frac{x^j(1-v^j)}{1-v} F_{m-j}(x;1) \right) \\ &+ \frac{x^2}{(1-x)^2} \left( \sum_{j=1}^{m-1} \frac{x^j(1-v^j)}{(1-x)(1-v)} F_{m-j} \left( x; \frac{1}{1-x} \right) - \sum_{j=1}^{m-1} \frac{x^j(1-v^j)}{1-v} F_{m-j}(x;1) \right), \end{aligned}$$

where  $F_0(x; v) = 1$  and  $F_1(x; v) = xK = x \sum_{n \geq 0} |S_n(\{123, 231\})| x^n = x \left( \frac{1}{1-x} + \frac{x^2}{(1-x)^3} \right)$ . Now, we define  $F(x, u; v)$  to be the generating function for the sequence  $F_m(x; v)$ , that is,  $F(x, u; v) = \sum_{m \geq 0} F_m(x; v) y^m$ . Multiplying the displayed recurrence by  $u^m$  and summing over  $m \geq 2$ ,

$$\begin{aligned} F(x, u; v) &= 1 + xuK + xu(F(x, u; 0) - 1 + vF(x, u; v) - v) \\ &\quad + \frac{x}{1-v}(F(x, u; 1) - vF(x, u; v)) - x - ux^2K \\ &\quad + \frac{ux^3}{(1-x)^2} \left( \frac{F(x, u; 0) + F(x, u; 1) - 1}{(1-ux)(1-uvx)} - 1 \right) \\ &\quad + \frac{ux^3}{(1-x)^2(1-ux)(1-vux)} \left( \frac{1}{1-x} F\left(x, u; \frac{1}{1-x}\right) - \frac{1}{1-x} - F(x, u; 1) + 1 \right), \end{aligned}$$

which implies

$$\begin{aligned} &\left( 1 - vux - \frac{xv}{1-v} \right) F(x, u; v) \\ &= 1 - x + x(1-x)uK + xuF(x, u; 0) - xu - vux + \frac{x}{1-v}F(x, u; 1) \\ &\quad + \frac{ux^3}{(1-x)^2} \left( \frac{F(x, u; 0) + F(x, u; 1) - 1}{(1-ux)(1-uvx)} - 1 \right) \\ &\quad + \frac{ux^3}{(1-x)^2(1-ux)(1-vux)} \left( \frac{1}{1-x} F\left(x, u; \frac{1}{1-x}\right) - \frac{x}{1-x} - F(x, u; 1) \right). \end{aligned}$$

Substituting (i)  $v = 0, u = 1$ , (ii)  $v = u = 1$ , (iii)  $v = C(x), u = 1$  yields three equations with unknowns  $F(x, 1; 1)$ ,  $F(x, 1; 0)$  and  $F(x, 1; 1/(1-x))$ . Solving this system, we obtain the following result.

**Theorem 69.** *Let  $T = \{1234, 1342, 3124\}$ . Then*

$$F_T(x) = \frac{(1-2x)(1-6x+12x^2-10x^3+2x^4) - x^2(1-2x+2x^2)^2C(x)}{1-9x+30x^2-49x^3+38x^4-8x^5-4x^6}$$

**3.26. Case 214:**  $\{1342, 2341, 3412\}$ . We treat left-right maxima and let  $G_m(x)$  be the generating function for  $T$ -avoiders with  $m$  left-right maxima. We have  $G_0(x) = 1$ ,  $G_1(x) = xF_T(x)$  and most of the work is in finding an equation for  $G_2(x)$ .

**Lemma 70.**

$$G_2(x) = x^2 F_T(x) C(x) + \frac{x^3 C(x)^2 (F_T(x) - 1)}{1 - 2x} + \frac{x^3 C(x)^2}{1 - 2x} - \frac{x^3 C(x)^2}{(1-x)^2} + \frac{x^3 C(x)}{(1-x)(1-x-xC(x))}.$$

*Proof.* Refine  $G_2(x)$  to  $G_2(x; d)$ , the generating function for permutations  $\pi = i\pi'n\pi'' \in S_n(T)$  with 2 left-right maxima and such that  $\pi''$  has  $d \geq 0$  letters smaller than  $i$ . For  $d = 0$ ,  $\pi'' > i$  and  $\pi''$  avoids 231 (or  $i$  is the “1” of a 1342), while  $\pi'$  avoids  $T$ . Hence,  $G_2(x; 0) = x^2 F_T(x) C(x)$ . So assume  $d \geq 1$ .

The letters in  $\pi''$  smaller than  $i$ , say  $j_1, j_2, \dots, j_d$ , are decreasing (or  $in$  is the 34 of a 3412) and  $\pi$  has the form illustrated in Figure 33, where  $\alpha_1 \alpha_2 \dots \alpha_d$  is decreasing (or  $nj_d$  is the 41 of a 2341) and  $\alpha_m$  lies to the left of  $\alpha_{m+1}$ ,  $m = 1, 2, \dots, d$  (or  $nj_m$  is the 42 of a 1342) and  $\beta_1 \beta_2 \dots \beta_d$  is decreasing (or  $ij_d$  is the 21 of a 2341).

If  $\alpha_2 \dots \alpha_d \alpha_{d+1} \neq \emptyset$ , then  $\beta_2 \dots \beta_d = \emptyset$  (since  $u \in \alpha_2 \dots \alpha_d$  and  $v \in \beta_2 \dots \beta_d$  makes  $uj_1 v j_d$  a 2341, while  $u \in \alpha_{d+1}$  and  $v \in \beta_2 \dots \beta_d$  makes  $uj_1 v j_d$  a 1342), and then, with  $\beta_1 = k_1 k_2 \dots k_p$ ,  $p \geq 0$ ,  $\pi$

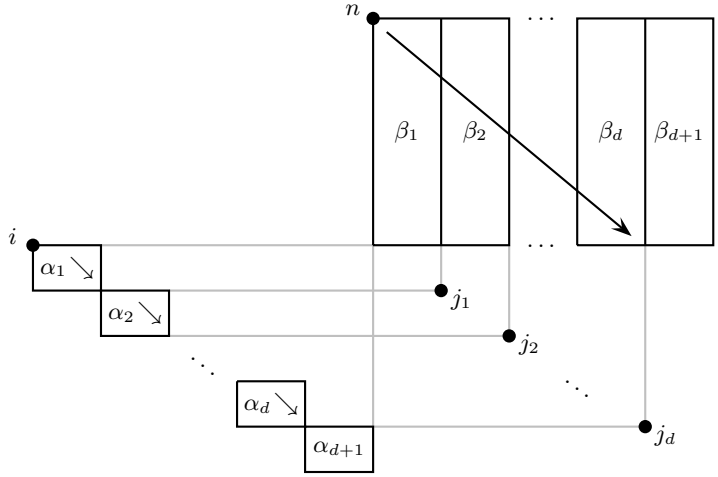


FIGURE 33. A general  $T$ -avoider with 2 left-right maxima

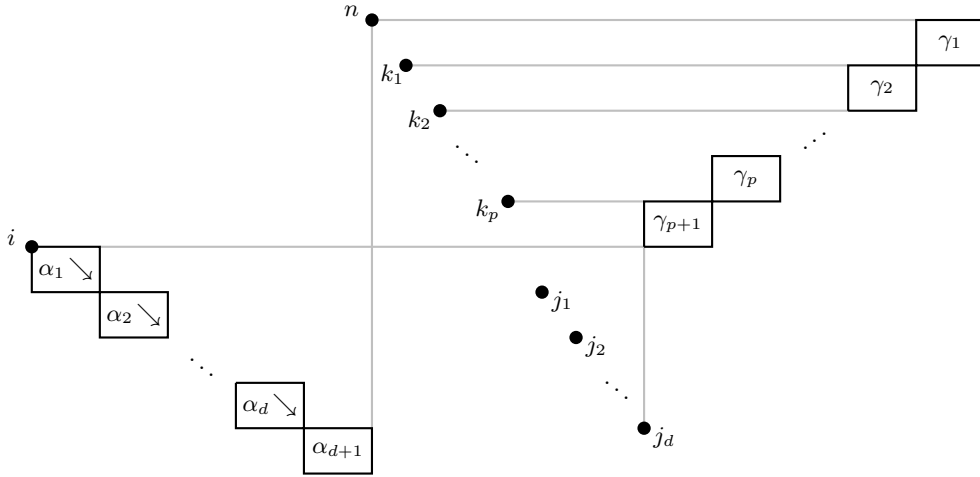


FIGURE 34. A  $T$ -avoider with 2 left-right maxima and  $\alpha_2 \dots \alpha_d \alpha_{d+1} \neq \emptyset$

has the form illustrated in Figure 34, where  $\gamma_{m+1}$  lies to the left of  $\gamma_m$ ,  $m = 1, 2, \dots, p$  (or  $ik_m$  is the 13 of a 1342) and all the  $\gamma$ 's avoid 231 (or  $i$  is the "1" of a 1342).

Now, we consider three cases (Figure 34 applies to the first two of them):

- $\alpha_{d+1} \neq \emptyset$ . In this case, we get a contribution of  $x^{2+d+p}$  from  $i, n$  and the  $j$ 's and  $k$ 's, of  $F_T(x) - 1$  from  $\alpha_{d+1}$ , of  $1/(1-x)^d$  from the other  $\alpha$ 's, and of  $C(x)^{p+1}$  from the  $\gamma$ 's. Summing over  $p \geq 0$  gives a total contribution of

$$\frac{x^{2+d}(F_T(x) - 1)C(x)}{(1-x)^d(1-xC(x))}.$$

- $\alpha_m \neq \emptyset$  and  $\alpha_{m+1} = \dots = \alpha_{d+1} = \emptyset$  for some  $m \in \{2, 3, \dots, d\}$ . This case is similar to the previous one except that we have  $m$  decreasing  $\alpha$ 's to consider and the last of these is

nonempty. Thus, we get a contribution of

$$\frac{x^{3+d}C(x)}{(1-x)^m(1-xC(x))}.$$

- $\alpha_2 = \dots = \alpha_{d+1} = \emptyset$ . In this case,  $\pi$  has the form  $i(i-1)\dots(d+1)n\beta_1d\dots\beta_d1\beta_{d+1}$ , where  $\beta_1\dots\beta_d = k_1k_2\dots k_p$  is decreasing, and  $\beta_{d+1} = \gamma_{p+1}\gamma_p\dots\gamma_1$  with  $\gamma$ 's separated by the  $k$ 's, and  $\gamma_s$  avoids 231 for all  $s = 1, 2, \dots, p+1$ . This leads, by a similar analysis, to a contribution of

$$\frac{x^{2+d}C(x)}{(1-x)(1-xC(x))^d}.$$

Hence, for  $d \geq 1$ ,

$$\begin{aligned} G_2(x; d) &= \frac{x^{2+d}(F_T(x) - 1)C(x)}{(1-x)^d(1-xC(x))} + \left( \sum_{m=2}^d \frac{x^{3+d}C(x)}{(1-x)^m(1-xC(x))} \right) + \frac{x^{2+d}C(x)}{(1-x)(1-xC(x))^d} \\ &= \frac{x^{2+d}(F_T(x) - 1)C(x)^2}{(1-x)^d} + \left( \sum_{m=2}^d \frac{x^{3+d}C(x)^2}{(1-x)^m} \right) + \frac{x^{2+d}C(x)}{(1-x)(1-xC(x))^d} \end{aligned}$$

Since  $G_2(x) = \sum_{d \geq 0} G_2(x; d)$  and  $G_2(x; 0) = x^2F_T(x)C(x)$ , the result now follows by evaluating geometric sums.  $\square$

**Lemma 71.** For  $m \geq 3$ ,

$$G_m(x) = x^{m-2}C(x)^{m-2}G_2(x).$$

*Proof.* Suppose  $m \geq 3$  and  $\pi = i_1\pi^{(1)}i_2\pi^{(2)}\dots i_m\pi^{(m)} \in S_n(T)$  has  $m$  left-right maxima. Since  $\pi$  avoids 2341 and 1342, we have that  $\pi^{(s)} > i_{s-1}$  for all  $s = 3, 4, \dots, m$ . Thus,  $\pi$  avoids  $T$  if and only if (i)  $i_1\pi^{(1)}i_2\pi^{(2)}$  avoids  $T$  and has exactly 2 left-right maxima, and (ii)  $\pi^{(s)}$  avoids 231 for all  $s = 3, 4, \dots, m$ . The result follows.  $\square$

**Theorem 72.** Let  $T = \{1342, 2341, 3412\}$ . Then

$$F_T(x) = \frac{(1-2x)((1-5x+9x^2-6x^3)\sqrt{1-4x} - (1-9x+29x^2-38x^3+18x^4))}{2(1-x)^2x(1-7x+14x^2-9x^3)}.$$

*Proof.* Using Lemma 71 and summing over  $m \geq 3$  leads to

$$F_T(x) - 1 - xF_T(x) = G_2(x) + \frac{xC(x)G_2(x)}{1-xC(x)} = \frac{G_2(x)}{1-xC(x)} = G_2(x)C(x).$$

Lemma 70 now implies

$$\begin{aligned} &F_T(x) - 1 - xF_T(x) \\ &= x^2F_T(x)C(x)^2 + \frac{x^3C(x)^3(F_T(x) - 1)}{1-2x} + \frac{x^3C(x)^3}{1-2x} - \frac{x^3C(x)^3}{(1-x)^2} + \frac{x^3C(x)^4}{1-x}. \end{aligned}$$

Solving for  $F_T(x)$  and simplifying the result completes the proof.  $\square$

3.27. **Case 217:**  $\{4132, 1342, 1243\}$ .

**Theorem 73.** *Let  $T = \{4132, 1342, 1243\}$ . Then*

$$F_T(x) = \frac{(1-x)(1-3x+x^2)\sqrt{1-4x} - (1-8x+20x^2-15x^3+4x^4)}{2x(1-x)(1-5x+4x^2-x^3)}.$$

*Proof.* Let  $G_m(x)$  be the generating function for  $T$ -avoiders with  $m$  right-left maxima. Clearly,  $G_0(x) = 1$  and  $G_1(x) = xF_T(x)$ . In order to find an explicit formula for  $G_m(x)$ , we define four types of generating functions:

- $H(x)$  the generating function for the number of permutations in  $\pi'n\pi''(n-1) \in S_n(T)$  with two right-left maxima such that  $\pi' \neq \emptyset$ ;
- $J(x)$  the generating function for the number of permutations in  $\pi'n\pi''i \in S_n(T)$  with two right-left maxima such that  $\pi'$  has a letter smaller than  $i$  and  $i \leq n-2$ ;
- $J'(x)$  the generating function for the number of permutations in  $\pi'''i_3\pi''i_2\pi'i_1 \in S_n(T)$  with three right-left maxima ( $i_1 < i_2 < i_3 = n$ ) such that  $\pi'''$  has a letter between  $i_1$  and  $i_2$  and has a letter smaller than  $i_1$ ;
- $H'(x)$  the generating function for the number of permutations in  $\pi'n\pi''(n-2)\pi'''(n-1) \in S_n(T)$  with two right-left maxima such that  $\pi' \neq \emptyset$ .

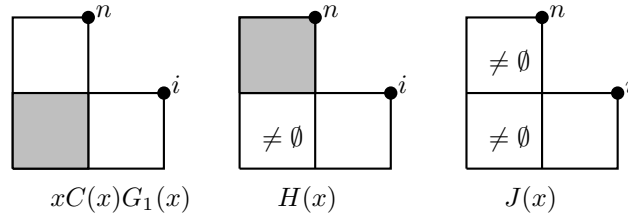


FIGURE 35.  $T$ -avoiders with two right-left maxima.

Clearly,  $G_2(x) = xC(x)G_1(x) + H(x) + J(x)$  (see Figure 35) and

$$G_m(x) = xC(x)G_{m-1} + x^{m-2}H(x) + x^{m-3}J'(x),$$

for all  $m \geq 3$ . Thus,

$$(24) \quad F_T(x) - 1 - xF_T(x) = xC(x)(F_T(x) - 1) + \frac{1}{1-x}H(x) + J(x) + \frac{1}{1-x}J'(x).$$

Moreover, by considering the position of the letter  $i-1$  in permutations  $\pi'n\pi''i \in S_n(T)$  with two

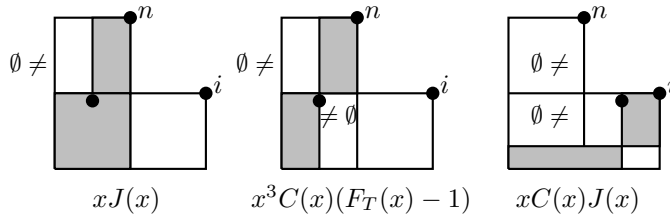


FIGURE 36.  $T$ -avoiders  $\pi'n\pi''i$  with two right-left maxima and  $\pi'$  has a letter smaller than  $i$  and a letter greater than  $i$ .

right-left maxima such that  $\pi'$  has a letter smaller than  $i$  and  $i \leq n-2$  (see Figure 36), we obtain

that the contributions are  $xJ(x)$ ,  $x^3C(x)(F_T(x) - 1)$  and  $xC(x)J(x)$ , where  $\pi' = (i - 1)\pi'''$  with  $\pi''' \neq \emptyset$ ,  $\pi' = i - 1$ , and  $i - 1$  belongs to  $\pi''$ , respectively. Thus,

$$J(x) = x(J(x) + x^2C(x)(F_T(x) - 1)) + xC(x)J(x),$$

which implies  $J(x) = x^3C(x)(F_T(x) - 1)/(1 - x - xC(x)) = x^3C^3(x)(F_T(x) - 1)$ .

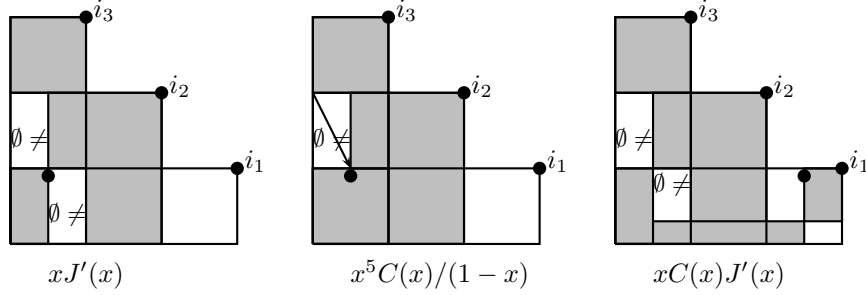


FIGURE 37.  $T$ -avoiders  $\pi'''i_3\pi''i_2\pi'i_1 \in S_n(T)$  with three right-left maxima ( $i_1 < i_2 < i_3 = n$ ) such that  $\pi'''$  has a letter between  $i_1$  and  $i_2$  and has a letter smaller than  $i_1$ .

By considering the position of the letter  $i_1 - 1$  in permutations  $\pi'''i_3\pi''i_2\pi'i_1 \in S_n(T)$  with three right-left maxima ( $i_1 < i_2 < i_3 = n$ ) such that  $\pi'''$  has a letter between  $i_1$  and  $i_2$  and has a letter smaller than  $i_1$ , we obtain that (see Figure 37)

$$J'(x) = x(J'(x) + x^4C(x)/(1 - x)) + xC(x)J'(x),$$

which implies  $J'(x) = x^5C(x)/((1 - x)(1 - x - xC(x))) = x^5C^3(x)/(1 - x)$ . By considering the

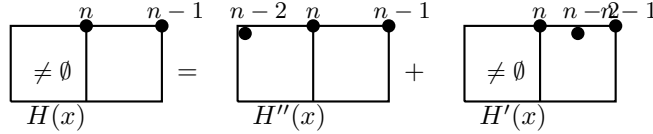


FIGURE 38. Equation for  $H(x)$ .

letter  $n - 2$  either in  $\pi'$  or  $\pi''$  in the permutation  $\pi'n\pi''(n - 1) \in S_n(T)$  with two right-left maxima such that  $\pi' \neq \emptyset$ , we obtain that (see Figure 38)

$$H(x) = H'(x) + H''(x),$$

where  $H''(x)$  is the generating function for the number of permutations  $(n - 2)\pi'n\pi''(n - 1) \in S_n(T)$  with two right-left maxima.

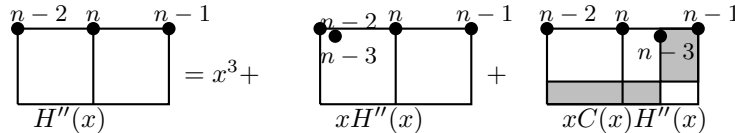


FIGURE 39. Equation for  $H''(x)$ .

By considering the position of  $(n-3)$  (if it exists) in the permutation  $(n-2)\pi'n\pi''(n-1) \in S_n(T)$  (see Figure 39), we see that  $H''(x) = x^3 + xH''(x) + xC(x)H''(x)$ , which leads to  $H''(x) = x^3/(1-x-xC(x)) = x^3C^2(x)$ .

Now, we find a formula for  $H'(x)$ . As above, by considering position of  $(n-3)$  in the permutations  $\pi'n\pi''(n-2)\pi'''(n-1) \in S_n(T)$  with  $\pi' \neq \emptyset$ , we see that  $H'(x) = H'''(x) + xC(x)H'(x) + xH'(x)$ , which gives  $H'(x) = H'''(x)/(1-x-xC(x)) = H'''(x)C^2(x)$ , where  $H'''(x)$  is the generating function for the number of permutations  $(n-3)\pi'n\pi''(n-2)\pi'''(n-1) \in S_n(T)$  with two right-left maxima. Again, by looking at position of  $(n-4)$  (if exists), we get that (similar to case of  $H''(x)$ )  $H'''(x) = x^4 + xH'''(x) + x^2C^2(x)H''(x) + x^2C(x)H''(x)$ , which leads to  $H'''(x) = (x^4 + x^5C^4(x) + x^5C^3(x))/(1-x)$ . Hence,

$$H'(x) = (x^4 + x^5C^4(x) + x^5C^3(x))C^2(x)/(1-x),$$

which implies that

$$H(x) = (x^4 + x^5C^4(x) + x^5C^3(x))C^2(x)/(1-x) + x^3C^2(x).$$

Hence, by (24), we have

$$\begin{aligned} F_T(x) - 1 - xF_T(x) &= xC(x)(F_T(x) - 1) + \frac{1}{1-x} \left( \frac{(x^4 + x^5C^4(x) + x^5C^3(x))C^2(x)}{1-x} + x^3C^2(x) \right) \\ &\quad + x^3C^3(x)(F_T(x) - 1) + \frac{x^5C^3(x)}{(1-x)^2}. \end{aligned}$$

By solving for  $F_T(x)$ , we complete the proof.  $\square$

### 3.28. Case 219: {1342, 2413, 3412}.

**Theorem 74.** *Let  $T = \{1342, 2413, 3412\}$ . Then*

$$F_T(x) = 1 + \frac{x(1-x)^2(1-2x)}{(x^2-3x+1)(2x^2-2x+1) - x(1-2x)(1-x)C(x)}.$$

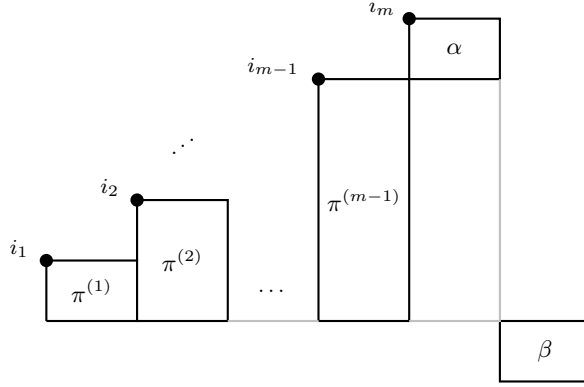
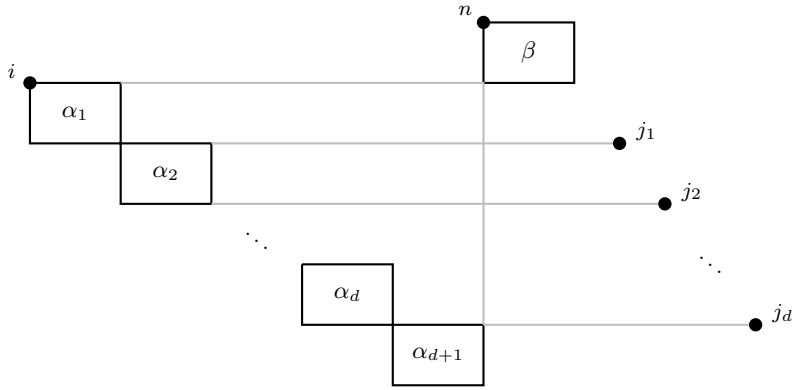
*Proof.* Let  $G_m(x)$  be the generating function for  $T$ -avoiders with  $m$  left-right maxima. Clearly,  $G_0(x) = 1$  and  $G_1(x) = xF_T(x)$ .

To find an equation for  $G_m(x)$  for  $m \geq 3$ , suppose  $\pi = i_1\pi^{(1)}i_2\pi^{(2)} \dots i_m\pi^{(m)} \in S_n(T)$  has  $m \geq 3$  left-right maxima. Let  $a$  be the smallest letter in  $i_1\pi^{(1)}i_2\pi^{(2)} \dots i_{m-1}\pi^{(m-1)}$ . We claim no letter  $u$  in  $\pi^{(m)}$  lies in the interval of integers  $[a, i_{m-1}]$ . To see this, suppose such a  $u$  exists. If  $a$  is in  $i_1\pi^{(1)} \dots i_{m-2}\pi^{(m-2)}$ , then  $a i_{m-1} i_m u$  is a 1342. Otherwise,  $a < i_1$  and  $a \in \pi^{(m-1)}$ , and if  $u > i_1$ , then  $i_1 i_{m-1} a u$  is a 2413, while if  $u < i_1$ , then  $i_1 i_2 a u$  is a 3412. Thus  $\pi$  has the form illustrated in Figure 40 where  $\alpha$  lies to the left of  $\beta$  because  $uv$  in  $\pi^{(m)}$  with  $u \in \beta$  and  $v \in \alpha$  makes  $i_{m-1} i_m u v$  a 2413. Also,  $\alpha$  avoids 231 (or  $i_1$  is the “1” of a 1342) and  $\beta$  is decreasing because  $uv \in \beta$  with  $u < v$  makes  $i_{m-1} i_m u v$  a 3412, and  $i_1\pi^{(1)} \dots i_{m-1}\pi^{(m-1)}$  avoids  $T$ . Hence, for  $m \geq 3$ ,

$$(25) \quad G_m(x) = \frac{x}{1-x} C(x) G_{m-1}(x).$$

Now suppose that  $m = 2$  and that  $\pi$  has  $d$  letters in  $\pi^{(m)} = \pi^{(2)}$  smaller than  $i := i_1$ , say  $j_1, j_2, \dots, j_d$  left to right. Then the  $j$ 's are decreasing (to avoid 3412) and  $\pi$  has the form illustrated in Figure 41 where  $\beta$  lies to the left of the  $j$ 's (or  $in$  is the 24 of a 2413) and  $\alpha_k$  lies to the left of  $\alpha_{k+1}$ ,  $1 \leq k \leq d$  (since  $u \in \alpha_{k+1}$ ,  $v \in \alpha_k$ ,  $u < v \Rightarrow u v n j_k$  is a 1342).

We consider two cases:

FIGURE 40. A  $T$ -avoider with  $m \geq 3$  left-right maximaFIGURE 41. A  $T$ -avoider with  $m = 2$  left-right maxima

- $\beta$  is decreasing. If  $\alpha_s$  is decreasing for all  $s \in [1, d]$ , then  $\alpha_{d+1}$  is a  $T$ -avoider, and we have a contribution of  $x^{d+2}F_T(x)/(1-x)^{d+1}$ . Otherwise, let  $k$  be minimal such that  $\alpha_k$  is not decreasing. In this case,  $\alpha_s$  is decreasing for  $s = 1, 2, \dots, k-1$  and  $\alpha_s = \emptyset$  for all  $s = k+1, k+2, \dots, d+1$  ( $u \in \alpha_s, s > k \Rightarrow abuj_{s-1}$  is a 3412 for  $a < b$  in  $\alpha_k$ ). Thus, we have a contribution of  $x^{d+2}/(1-x)^k(F_T(x) - 1/(1-x))$ .
- $\beta$  is not decreasing. Here  $\beta$  avoids 231 (or  $i$  is the “1” of a 1342),  $\alpha_1$  avoids  $T$ , and  $\alpha_2 \dots \alpha_{d+1} = \emptyset$  ( $u \in \alpha_2 \dots \alpha_{d+1} \Rightarrow uabj_1$  is a 1342 for  $a < b$  in  $\beta$ ). Thus, we have a contribution of  $x^{d+2}F_T(x)(C(x) - 1/(1-x))$ .

Summing over  $d$  yields

$$\begin{aligned}
 G_2(x) &= \sum_{d \geq 0} \left( \frac{x^{d+2}}{(1-x)^{d+1}} F_T(x) + \sum_{k=1}^d \frac{x^{d+2}}{(1-x)^k} \left( F_T(x) - \frac{1}{1-x} \right) + x^{d+2} F_T(x) \left( C(x) - \frac{1}{1-x} \right) \right) \\
 &= \frac{x^2}{1-2x} F_T(x) + \frac{x^3}{(1-x)(1-2x)} \left( F_T(x) - \frac{1}{1-x} \right) + \frac{x^2}{1-x} F_T(x) \left( C(x) - \frac{1}{1-x} \right).
 \end{aligned}$$



Summing recurrence (25) over  $m \geq 3$  yields

$$F_T(x) - G_0(x) - G_1(x) - G_2(x) = \frac{x C(x)}{1-x} (F_T(x) - G_0(x) - G_1(x)).$$

Substitute for  $G_0, G_1, G_2$  and solve for  $F_T(x)$  to complete the proof. □

3.29. **Case 220:** {2431, 2314, 3142}.

**Theorem 75.** *Let  $T = \{2431, 2314, 3142\}$ . Then*

$$F_T(x) = 1 + \frac{x(1-x)^2(1-2x)}{(1-3x)(1-x)^3 - x(1-2x)(1-x+x^2)(C(x)-1)}.$$

*Proof.* Let  $G_m(x)$  be the generating function for  $T$ -avoiders with  $m$  left-right maxima. Clearly,  $G_0(x) = 1$  and  $G_1(x) = xF_T(x)$ .

To write an equation for  $G_m(x)$  with  $m \geq 2$ , suppose  $\pi = i_1\pi^{(1)}i_2\pi^{(2)} \dots i_m\pi^{(m)} \in S_n(T)$  with  $m$  left-right maxima. Then  $\pi$  has the form illustrated in Figure 42a) below where the shaded region is empty (a letter  $u$  in the shaded region implies  $i_1i_2u i_m$  is a 2314).

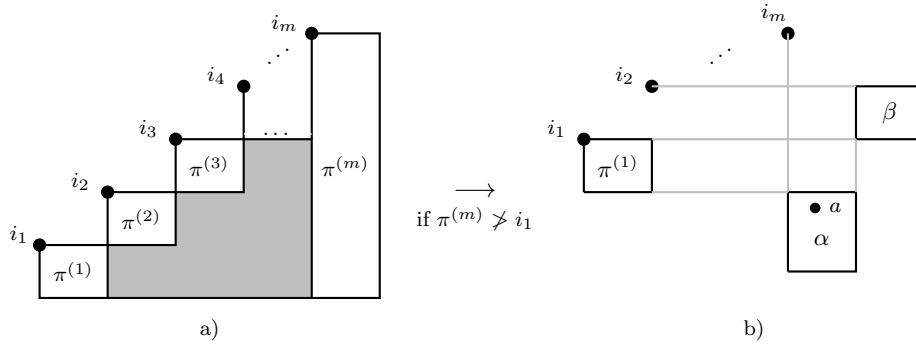


FIGURE 42. A  $T$ -avoider with  $m \geq 2$  left-right maxima

Note that  $\pi^{(1)}$  avoids 231 (or  $i_m$  is the “4” of a 2314). If  $\pi^{(m)} > i_1$ , then we get a contribution of  $x C(x) G_{m-1}(x)$  where  $C(x)$  is contributed by  $\pi^{(1)}$ .

Now suppose  $\pi^{(m)}$  has a letter  $a$  smaller than  $i_1$ . Then  $\pi^{(2)}\pi^{(3)} \dots \pi^{(m-1)} = \emptyset$  (if  $u \in \pi^{(s)}$ ,  $2 \leq s \leq m-1$ , then  $i_{s-1}i_s u a$  is a 2431) and  $\pi^{(1)} > a$  (if  $u \in \pi^{(1)}$  with  $u < a$ , then  $i_1 u i_2 a$  is 3142). Also,  $\pi^{(m)} < i_2$ . To see this, suppose  $u \in \pi^{(m)}$  with  $u > i_2$ . If  $u$  occurs before  $a$  in  $\pi$ , then  $i_2 i_m u a$  is a 2431, while if  $u$  occurs after  $a$ , then  $i_1 i_2 a u$  is a 2314. So  $\pi$  has the form illustrated in Figure 42b), where all entries in  $\alpha$  lie to the left of entries in  $\beta$  ( $uv$  with  $u \in \beta$  and  $v \in \alpha$  implies  $i_1 i_2 u v$  is a 2431).

We now consider two cases:

- $\beta = \emptyset$ . Here,  $\pi$  avoids  $T$  if and only if  $\pi^{(1)}$  avoids 132 (to avoid 2431) and 231, and  $\alpha$  avoids  $T$ , giving a contribution of  $x^m (F_T(x) - 1) L(x)$ , where  $L(x) = \frac{1-x}{1-2x}$  is the generating function for {132, 231}-avoiders.
- $\beta \neq \emptyset$ . Here,  $\pi^{(1)}$  is decreasing ( $uv$  in  $\pi^{(1)}$  with  $u < v \Rightarrow uvab$  is a 2314 for  $b \in \beta$ ),  $\alpha$  avoids 231 (to avoid 2314), and  $\beta$  avoids  $T$ , giving a contribution of  $\frac{x^m}{1-x} (C(x) - 1) (F_T(x) - 1)$ .

Thus, for all  $m \geq 2$ ,

$$G_m(x) = xC(x)G_{m-1}(x) + x^m(F_T(x) - 1)L(x) + \frac{x^m}{1-x}(C(x) - 1)(F_T(x) - 1).$$

Summing over  $m \geq 2$  and using the expressions for  $G_1(x)$  and  $G_0(x)$ , we obtain

$$F_T(x) - 1 - xF_T(x) = xC(x)(F_T(x) - 1) + \frac{x^2}{1-x} \left( L(x) + \frac{1}{1-x}(C(x) - 1) \right) (F_T(x) - 1),$$

with the stated solution for  $F_T(x)$ .  $\square$

**3.30. Case 222:**  $\{3412, 3421, 1342\}$ . Here, we use the notion of generating tree (West [13]), and consider the generating forest whose vertices are identified with  $S := \bigcup_{n \geq 2} S_n(T)$  where 12 and 21 are the roots and each non-root  $\pi \in S$  is a child of the permutation obtained from  $\pi$  by deleting its largest element. We will show that it is possible to label the vertices so that if  $v_1$  and  $v_2$  are any two vertices with the same label and  $\ell$  is any label, then  $v_1$  and  $v_2$  have the same number of children with label  $\ell$ . Indeed, we will specify (i) the labels of the roots, and (ii) a set of succession rules explaining how to derive from the label of a parent the labels of all of its children. This will determine a labelled generating forest.

A permutation  $\pi = \pi_1\pi_2 \cdots \pi_n \in S_n$  determines  $n + 1$  positions, called *sites*, between its entries. The sites are denoted  $1, 2, \dots, n + 1$  left to right. In particular, site  $i$  is the space between  $\pi_{i-1}$  and  $\pi_i$ ,  $2 \leq i \leq n$ . Site  $i$  in  $\pi$  is said to be *active* (with respect to  $T$ ) if, by inserting  $n + 1$  into  $\pi$  in site  $i$ , we get a permutation in  $S_{n+1}(T)$ , otherwise *inactive*. For  $\pi \in S_n(T)$ , sites 1 and  $n + 1$  are always active, and if  $\pi_n = n$ , then site  $n$  is active.

For  $\pi \in S_n(T)$ , define  $A(\pi)$  to be the set of all active sites for  $\pi$  and  $L(\pi)$  to be the set of active sites lying to the left of  $n$ . For example,  $L(13254) = \{1, 2, 4\}$  since there are 4 possible sites to insert 6 to the left of  $n = 5$  and, of these insertions, only 136254 is not in  $S_6(T)$ .

**Lemma 76.** *For  $\pi \in S_n(T)$ , we have  $A(\pi) = L(\pi) \cup \{n + 1\}$  unless  $\pi_n < n$  and site  $n$  is active, in which case  $A(\pi) = L(\pi) \cup \{n, n + 1\}$*

*Proof.* No site to the right of  $n$  is active except (possibly) site  $n$  and (definitely) site  $n + 1$  for if  $n + 1$  is inserted after  $n$  in a site  $\leq n - 1$ , then  $n(n + 1)\pi_{n-1}\pi_n$  is a 3412 or a 3421, both forbidden.  $\square$

If site  $n$  is inactive, then 1 and  $n + 1$  are the only active sites iff  $\pi_1 = n$ . In particular, there are at least 3 active sites unless site  $n$  is inactive and  $\pi_1 = n$ .

For  $n \geq 2$ , say  $\pi \in S_n$  is *special* if it has the form  $\pi = n(n - 1) \cdots (j + 1)\pi'j$  for some  $j$  with  $2 \leq j \leq n$ , where  $j = n$  means  $\pi = \pi'n$ .

We now assign labels. Suppose  $n \geq 2$  and  $\pi \in S_n(T)$  has  $k$  active sites. Then  $\pi$  is labelled  $k, \bar{k}, \overline{\overline{k}}$  according to whether site  $n$  is active and whether  $\pi$  is special as follows. If site  $n$  is inactive then label  $\pi$  by  $\overline{\overline{k}}$ . Otherwise, if  $\pi$  is special, then label  $\pi$  by  $\bar{k}$ , and if  $\pi$  is not special, then label it by  $k$ .

For instance, all 3 sites are active for both 12 and 21 and only the former is special, so their labels are  $\bar{3}$  and 3 respectively; 12 has three children 312, 132 and 123 with active sites  $\{1, 3, 4\}$ ,  $\{1, 2, 4\}$  and  $\{1, 2, 3, 4\}$ , respectively, hence labels  $\bar{3}$ ,  $\bar{3}$  and  $\bar{4}$  because only the first and third are special; 21 has three children 321, 231 and 213 with active sites  $\{1, 3, 4\}$ ,  $\{1, 2, 3, 4\}$  and  $\{1, 2, 3, 4\}$ , respectively, hence labels 3, 4 and  $\bar{4}$  because only the last is special.

To establish the succession rules, we have the following proposition. The proof is left to the reader.

**Proposition 77.** Fix  $n \geq 2$ . Suppose  $\pi \in S_n(T)$  has  $k$  active sites and site  $n$  is active so that

$$A(\pi) = \{1 = L_1 < L_2 < \cdots < L_{k-1} = n\} \cup \{n+1\}.$$

If  $\pi$  is special, then  $A(\pi^{L_1}) = \{L_1, n+1, n+2\}$  and  $A(\pi^{L_i}) = \{L_1, \dots, L_i, n+2\}$  for  $2 \leq i \leq k-1$ .

If  $\pi$  is not special, then  $A(\pi^{L_i}) = \{L_1, \dots, L_i, n+1, n+2\}$  for  $1 \leq i \leq k-1$ .

In both cases,  $A(\pi^{n+1}) = \{L_1, \dots, L_{k-1}, n+1, n+2\}$ .

Next, suppose  $\pi \in S_n(T)$  has  $k$  active sites and site  $n$  is inactive so that

$$A(\pi) = \{1 = L_1 < L_2 < \cdots < L_{k-1} \leq n-1\} \cup \{n+1\}.$$

Then  $A(\pi^{L_i}) = \{L_1, \dots, L_i, n+2\}$  for  $1 \leq i \leq k-1$ , and  $A(\pi^{n+1}) = \{L_1, \dots, L_{k-1}, n+1, n+2\}$ .

An immediate consequence is

**Corollary 78.** The labelled generating forest  $\mathcal{F}$  is given by

$$\begin{array}{ll} \text{Roots:} & 3, \bar{3} \\ \text{Rules:} & k \rightsquigarrow 3, 4, \dots, k, k+1, \overline{k+1} \quad \text{for } k \geq 3, \\ & \bar{k} \rightsquigarrow \bar{3}, \bar{3}, \bar{4}, \dots, \bar{k}, \overline{k+1} \quad \text{for } k \geq 3, \\ & \bar{k} \rightsquigarrow \bar{2}, \bar{3}, \dots, \bar{k}, \overline{k+1} \quad \text{for } k \geq 2. \end{array}$$

□

**Theorem 79.** Let  $T = \{3412, 3421, 1342\}$ . Then

$$F_T(x) = \frac{2 - 11x + 13x^2 - 6x^3 + (1-x)x(1-6x+4x^2)(1-4x)^{-1/2}}{2(1-6x+8x^2-4x^3)}.$$

*Proof.* Let  $a_k(x)$ ,  $b_k(x)$  and  $c_k(x)$  denote the generating functions for the number of permutations in the  $n$ th level of the labelled generating forest  $\mathcal{F}$  with label  $k$ ,  $\bar{k}$  and  $\bar{\bar{k}}$ , respectively. By Corollary 78, we have

$$\begin{aligned} a_k(x) &= x \sum_{j \geq k-1} a_j(x), \\ b_k(x) &= x(a_{k-1}(x) + b_{k-1}(x) + c_{k-1}(x)), \\ c_k(x) &= x \sum_{j \geq k} (b_j(x) + c_j(x)), \end{aligned}$$

with  $a_3(x) = x^2 + x \sum_{j \geq 3} a_j(x)$ ,  $b_3(x) = x^3 + xc_2(x) + x \sum_{j \geq 3} b_j(x)$ , and  $c_2(x) = x \sum_{j \geq 2} c_j(x)$ .

Now let  $A(x, v) = \sum_{k \geq 3} a_k(x)v^k$ ,  $B(x, v) = \sum_{k \geq 2} b_k(x)v^k$  and  $C(x, v) = \sum_{k \geq 3} c_k(x)v^k$ . The above recurrences can then be written as

$$(26) \quad A(x, v) = a_3(x)v^3 + \frac{x}{1-v}(v^4 A(x, 1) - v^2 A(x, v)),$$

$$(27) \quad B(x, v) = b_3(x)v^3 + xv(v^3 A(x, v) + B(x, v) + C(x, v) - c_2(x)v^2),$$

$$(28) \quad C(x, v) = c_2(x)v^2 + \frac{x}{1-v}(v^3 B(x, 1) - vB(x, v)) + \frac{x}{1-v}(v^3 C(x, 1) - vC(x, v)),$$

where  $a_3(x) = x^2 + xA(x, 1)$ ,  $b_3(x) = x^2 + xB(x, 1) + x^2C(x, 1)$  and  $c_2(x) = xC(x, 1)$ .

By finding  $A(x, v)$  from (26) and  $B(x, v)$  from (27) and then substituting them into (28), we obtain

$$\begin{aligned} & \frac{(1-v+xv^2)^2}{(1-xv)(1-v)^2}C(x, t) \\ & + \frac{xv^2(1-v+xv^2)(2v^2x^2-2x^2v+2x-1)}{(1-v)^2(1-2x)(1-xv)}C(x, 1) \\ & - \frac{(2v^2x^2-2xv+1)x^2v^3}{(1-xv)(1-2x)(1-v)}A(x, 1) - \frac{(2v^2x^2-v+1)v^3x^3}{(1-xv)(1-2x)(1-v)} = 0 \end{aligned}$$

To solve the preceding functional equation, we apply the kernel method and take  $v = C(x)$ . This gives

$$A(x, 1) = xC(x) - x.$$

Now, by differentiating the functional equation with respect to  $t$  and then substituting  $t = C(x)$  and  $A(x, 1) = xC(x) - x$ , we obtain

$$C(x, 1) = -\frac{1-7x+12x^2-8x^3}{2(1-6x+8x^2-4x^3)} + \frac{1-9x+24x^2-20x^3+8x^4}{2(1-6x+8x^2-4x^3)\sqrt{1-4x}}.$$

Thus, by (27), we have

$$B(x, 1) = \frac{x^3(1-2x-\sqrt{1-4x})}{(1-x)(1-4x)^2 - (1-2x)(1-5x+2x^2)\sqrt{1-4x}}.$$

Since  $F_T(x) = A(x, 1) + B(x, 1) + C(x, 1)$ , the result follows by adding the last three displayed expressions and simplifying.  $\square$

**3.31. Case 223:**  $\{1243, 1342, 2413\}$ . To find an explicit formula for  $F_T(x)$ , we define  $A_m(x)$  (resp.  $B_m(x)$ ) to be the generating function for  $T$ -avoiders  $\pi = i_1\pi^{(1)} \dots i_m\pi^{(m)}$  ( $i_1, \dots, i_m$  are the left-right maxima) such that  $\pi^{(s)} < i_1$  for all  $s \neq 2$  and  $\pi^{(2)} < i_1$  (resp.  $\pi^{(2)}$  has a letter greater than  $i_1$ ). Also, we define  $G_m(x)$  to be the generating function for  $T$ -avoiders with  $m$  left-right maxima. Clearly,  $G_0(x) = 1$  and  $G_1(x) = xF_T(x)$ . Recall  $L(x) := \frac{1-x}{1-2x}$  is the generating function for  $\{132, 231\}$ -avoiders [11].

**Lemma 80.**  $A_1(x) = G_1(x)$  and for all  $m \geq 2$ ,

$$A_m(x) = xA_{m-1}(x) + x \sum_{j \geq m} G_j(x).$$

*Proof.* Clearly,  $A_1(x) = G_1(x)$ . To find an equation for  $A_m(x)$  with  $m \geq 2$ , suppose  $\pi = i_1\pi^{(1)} \dots i_m\pi^{(m)} \in S_n(T)$  with  $m$  left-right maxima satisfies  $\pi^{(s)} < i_1$  for all  $s$ . If  $\pi^{(1)} = \emptyset$  we have a contribution of  $xA_{m-1}(x)$ . Otherwise, assume that  $\pi^{(1)}$  has  $d \geq 1$  left-right maxima. Since  $\pi$  avoids 1342 and 1243, we see that  $\pi$  can be written as

$$\pi = i_1j_1\alpha^{(1)}j_2\alpha^{(2)} \dots j_d\alpha^{(d)}i_2\pi^{(2)} \dots i_m\pi^{(m)}$$

with  $\alpha^{(s)} < j_1$  for all  $s = 1, 3, \dots, d$ ,  $\alpha^{(2)} < j_2$ , and  $\pi^{(s)} < j_1$  for all  $s = 2, 3, \dots, m$ . Thus, we have a contribution of  $xG_{m+d-1}(x)$ . Summing over all the contributions, we obtain

$$A_m(x) = xA_{m-1}(x) + x \sum_{d \geq 1} G_{m+d-1}(x),$$

as required.  $\square$

**Lemma 81.** *For all  $m \geq 2$ ,*

$$B_m(x) = x(L(x) - 1)A_{m-1}(x) + \frac{x^3}{(1 - 2x)^2}A_{m-1}(x).$$

*Proof.* Let us write an equation for  $B_m(x)$ ,  $m \geq 2$ . Suppose  $\pi = i_1\pi^{(1)} \dots i_m\pi^{(m)} \in S_n(T)$  and that  $\pi^{(1)}$  contains  $d$  letters. Note that  $\pi^{(1)}$  is decreasing ( $\pi$  avoids 1243) and  $\pi^{(2)}$  has the form  $\alpha\beta$  with  $\alpha > i_1$  and  $\beta < i_1$ .

If  $d = 0$ , then  $\pi$  avoids  $T$  if and only if  $\alpha$  is nonempty and avoids 132 and 231, and

$$i_2\beta i_3\pi^{(3)} \dots i_m\pi^{(m)}$$

avoids  $T$ . Thus, we have a contribution of  $x(L(x) - 1)A_{m-1}(x)$ .

For the case  $d \geq 1$ , since  $\pi$  avoids  $T$ ,  $\pi$  has the form

$$\pi = i_1j_1j_2 \dots j_d i_2\alpha^{(0)}\alpha^{(1)} \dots \alpha^{(d)}\beta i_3\pi^{(3)} \dots i_m\pi^{(m)}$$

such that  $j_0 := i_1 > j_1 > \dots > j_d \geq 1$ ,  $j_{s-1} > \alpha^{(s)} > j_s$  for all  $s = 0, 1, \dots, d$  with  $j_{-1} = i_2$ , and  $\beta, \pi^{(3)}, \dots, \pi^{(m)} < j_d$ . Here, we consider three cases:

- $\alpha^{(s)}$  is decreasing for all  $s = 0, 1, \dots, d - 1$ . The contribution is  $\frac{x^{d+2}}{(1-x)^d}L(x)A_{m-1}(x)$ .
- $\alpha^{(0)}$  is not decreasing (has a rise). Then  $\alpha^{(s)} = \emptyset$  for all  $s = 1, 2, \dots, d$ . Hence, we have a contribution of  $x^{d+1}(L(x) - 1/(1-x))A_{m-1}(x)$ .
- there is a minimal  $p \in [1, d - 1]$  such that  $\alpha^{(p)}$  is not decreasing. Then  $\alpha^{(s)}$  is decreasing for all  $s = 0, 1, \dots, p - 1$  and  $\alpha^{(s)} = \emptyset$  for all  $s = p + 1, \dots, d$ . Thus, we have a contribution of  $\frac{x^{d+2}}{(1-x)^p}(L(x) - \frac{1}{1-x})A_{m-1}(x)$ .

Hence,

$$\begin{aligned} B_m(x) &= x(L(x) - 1)A_{m-1}(x) \\ &+ \sum_{d \geq 1} \left( \frac{x^{d+2}}{(1-x)^d}L(x) + \left( x^{d+1} + \sum_{p=1}^{d-1} \frac{x^{d+2}}{(1-x)^p} \right) (L(x) - 1/(1-x)) \right) A_{m-1}(x) \\ &= x(L(x) - 1)A_{m-1}(x) + \frac{x^3}{(1 - 2x)^2}A_{m-1}(x), \end{aligned}$$

as required. □

Now, we are ready to find a formula for  $F_T(x)$ .

**Theorem 82.** *Let  $T = \{1243, 1342, 2413\}$ . Then*

$$F_T(x) = \frac{(1 - 2x)(1 - 2x - \sqrt{1 - 8x + 20x^2 - 20x^3 + 4x^4})}{2x(1 - 4x + 5x^2 - x^3)}.$$

*Proof.* Define

$$\begin{aligned} G(x, y) &= \sum_{m \geq 0} G_m(x)y^m, & A(x, y) &= \sum_{m \geq 1} A_m(x)y^m, \\ B(x, y) &= \sum_{m \geq 2} B_m(x)y^m. \end{aligned}$$

From the definitions of  $A_m$  and  $B_m$ , we have  $G_m(x) = A_m(x) + B_m(x)$  for all  $m \geq 1$  while  $G_0(x) = 1$  and  $B_1(x) = 0$ , which implies

$$(29) \quad G(x, y) = 1 + A(x, y) + B(x, y).$$

Lemma 80 asserts that

$$A_m(x) = xA_{m-1}(x) + x \sum_{j \geq m} G_j(x), \quad A_1(x) = G_1(x).$$

Multiplying by  $y^m$  and summing over  $m \geq 2$  and using the fact that  $G(x, 1) = F_T(x)$ , we obtain

$$(30) \quad (1 - xy)A(x, y) = xy + \frac{xy}{1 - y}(F_T(x) - G(x, y)).$$

Similarly, Lemma 81 yields

$$(31) \quad B(x, y) = \frac{x^2(1 - x)y}{(1 - 2x)^2}A(x, y).$$

From (29), (30), and (31), we obtain

$$(1 - xy)G(x, y) = 1 - xy + xy \left( 1 + \frac{x^2(1 - x)y}{(1 - 2x)^2} \right) \left( 1 + \frac{F_T(x) - G(x, y)}{1 - y} \right).$$

This equation can be solved by the kernel method, giving the stated result.  $\square$

**3.32. Case 224:**  $\{4132, 1342, 1423\}$ . Here, we consider (right-left) cell decompositions, which allow a useful characterization of  $R$ -avoiders, where  $R := \{1342, 1423\}$  is a subset of  $T$ . So suppose

$$\pi = \pi^{(m)}i_m\pi^{(m-1)}i_{m-1}\cdots\pi^{(1)}i_1 \in S_n$$

has  $m \geq 2$  right-left maxima  $n = i_m > i_{m-1} > \cdots > i_1 \geq 1$ . The right-left maxima determine a *cell decomposition* of the matrix diagram of  $\pi$  as illustrated in Figure 43 for  $m = 4$ . There are  $\binom{m+1}{2}$  cells  $C_{ij}$ ,  $i, j \geq 1$ ,  $i + j \leq m + 1$ , indexed by  $(x, y)$  coordinates, for example,  $C_{21}$  and  $C_{32}$  are shown.

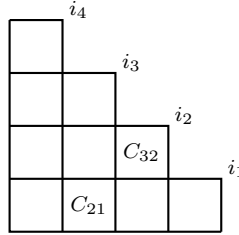


FIGURE 43. Cell decomposition

Cells with  $i = 1$  or  $j = 1$  are *boundary* cells, the others are *interior*. A cell is *occupied* if it contains at least one letter of  $\pi$ , otherwise *empty*. Let  $\alpha_{ij}$  denote the subpermutation of entries in  $C_{ij}$ .

The reader may check the following characterization of  $R$ -avoiders in terms of the cell decomposition. A permutation  $\pi$  is an  $R$  avoider if and only if

- (1) For each occupied cell  $C$ , all cells that lie both strictly east and strictly north of  $C$  are empty.
- (2) For each pair of occupied cells  $C, D$  with  $D$  directly north of  $C$  (same column), all entries in  $C$  lie to the right of all entries in  $D$ .

- (3) For each pair of occupied cells  $C, D$  with  $D$  directly east of  $C$  (same row), all entries in  $C$  are larger than all entries in  $D$ .
- (4)  $\alpha_{ij}$  avoids  $R$  for all  $i, j$ .

Condition (1) imposes restrictions on occupied cells as follows. A *major* cell for  $\pi$  is an interior cell  $C$  that is occupied and such that all cells directly north or directly east of  $C$  are empty. The set of major cells (possibly empty) determines a Dyck path of semilength  $m - 1$  such that cells in the first column correspond to vertices in the first ascent of the path and major cells correspond to valley vertices as illustrated in Figure 44. (If there are no major cells, the Dyck path covers the boundary cells and has no valleys.) If  $\pi$  avoids  $R$ , then condition (1) implies that all cells not on

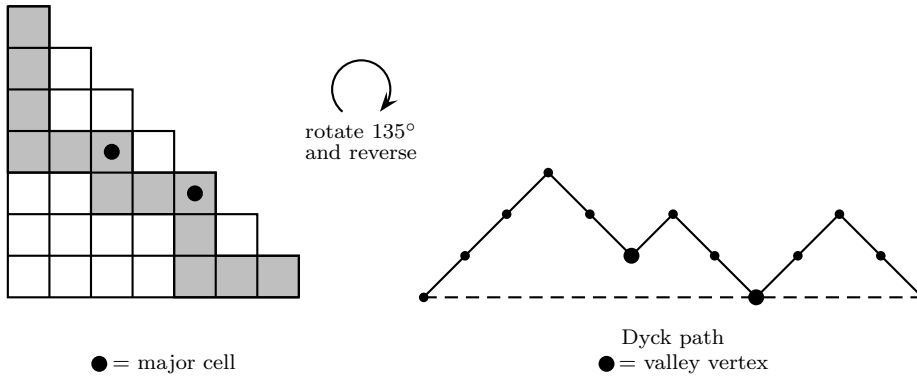


FIGURE 44. Dyck path from cell diagram

the Dyck path are empty, and condition (4) implies  $\text{St}(\alpha_{ij})$  is an  $R$ -avoider for all  $i, j$ . Conversely, if  $n = i_m > i_{m-1} > \dots > i_1 \geq 1$  are given and we have a Dyck path in the associated cell diagram, and an  $R$ -avoider  $\pi_C$  is specified for each cell  $C$  on the Dyck path, with the additional proviso  $\pi_C \neq \emptyset$  for valley cells, then conditions (2) and (3) imply that an  $R$ -avoider with this Dyck path is uniquely determined.

Now, we can find an equation for the generating function  $L_m(x)$  for  $T$ -avoiders with exactly  $m + 1$  right-left maxima. Clearly,  $L_1(x) = xF_T(x)$ . So assume  $m \geq 2$ . If an  $R$ -avoider also avoids 4132 then all cells not in the leftmost column avoid 132 and all cells in the leftmost column below the topmost nonempty cell also avoid 132. Also the associated Dyck path has no valleys above the  $x$ -axis. Thus we can assume that the Dyck path has the form

$$P = U^{a_1} D^{a_1} U^{a_2} D^{a_2} \dots U^{a_{s+1}} D^{a_{s+1}},$$

with  $s \geq 0$  valleys, all on the  $x$ -axis. By the cell decomposition each valley contributes  $C(x) - 1$ .

Let us consider the first  $a_1 + 1$  cells, say  $C_1, C_2, \dots, C_{a_1+1}$ , from top to bottom in the leftmost column of the diagram:

- if  $C_1 = \dots = C_{a_1} = \emptyset$ , then we have a contribution of  $x^m F_T(x) C(x) (C(x) - 1)^s$ ;
- if  $C_1 = \dots = C_{j-1} = \emptyset$  and  $C_j \neq \emptyset$ , then  $C_{j+2} = \dots = C_{a_1+1} = \emptyset$ , which gives a contribution  $x^m (F_T(x) - 1) C(x)^2 (C(x) - 1)^s$ .

Summing over all Dyck paths of form  $P$  with fixed  $m, a_1$  and  $s$ , we find that the generating function for  $T$ -avoiders with a fixed diagram associated with a Dyck path of  $2m - 2$  steps, no valleys above

$x$ -axis, first ascent of length  $a_1$  steps, and  $s$  valleys is given by

$$\begin{cases} x^m F_T(x) C(x) + (m-1)x^m (F_T(x) - 1) C(x)^2, & a_1 = m-1 \text{ (i.e., } s=0) \\ x^m F_T(x) C(x) (C(x) - 1)^s + a_1 x^m (F_T(x) - 1) C(x)^2 (C(x) - 1)^s, & 1 \leq a_1 \leq m-2. \end{cases}$$

Thus, by summing over all  $s, a_1$ , we obtain

$$\begin{aligned} L_m(x) &= \sum_{s=0}^{m-2} \binom{m-2}{s} x^m F_T(x) C(x) (C(x) - 1)^s \\ &\quad + \sum_{s=1}^{m-1} \binom{m-1}{s} x^m (F_T(x) - 1) C^2(x) (C(x) - 1)^{s-1} \\ &= x^m C^{m-1}(x) F_T(x) + \frac{x^m C(x)^{m+1} (F_T(x) - 1)}{C(x) - 1} - x^m (F_T(x) - 1) C(x)^2, \end{aligned}$$

which implies

$$L_m(x) = x^m (x C^m F_T(x) + (C^m(x) - 1)(F_T(x) - 1)).$$

Summing over  $m \geq 1$  and using  $L_0(x) = 1$ , we obtain

$$F_T(x) = 1 + x C(x) F_T(x) + \left( C(x) - \frac{1}{1-x} \right) (F_T(x) - 1).$$

Solving for  $F_T(x)$  and simplifying leads to the following result.

**Theorem 83.** *Let  $T = \{4132, 1342, 1423\}$ . Then*

$$F_T(x) = \frac{2 - 10x + 9x^2 - 3x^3 + x(1-x)(2-x)\sqrt{1-4x}}{2(1-5x+4x^2-x^4)}.$$

**3.33. Case 226:**  $\{1342, 2143, 2413\}$ . Define  $H_k(x)$  to be the generating function for  $T$ -avoiders whose left-right maxima are  $n+1-k, n+2-k, \dots, n$ , and refine  $H_k(x)$  to  $H_{k,d}(x)$ , the generating function for  $T$ -avoiders  $(n+1-k)\pi'(n+2-k)\pi''$  with  $k$  left-right maxima  $n+1-k, n+2-k, \dots, n$  where  $\pi'$  has  $d$  left-right maxima. Clearly,  $H_1(x) = xF_T(x)$ . Recall  $K(x) := \frac{1-2x}{1-3x+x^2}$  is the generating function for the  $\{231, 2143\}$ -avoiders [12, Seq. A001519].

**Lemma 84.** *We have*

$$\sum_{k \geq 2} H_k(x) = x(F_T(x) - 1)C \left( x + \frac{x^2}{1-x} (K(x) - 1) \right).$$

*Proof.* Let  $\pi = (n+1-k)\pi^{(1)}(n+2-k)\pi^{(2)} \dots n\pi^{(k)} \in S_n(T)$  with exactly  $k$  left-right maxima. If  $\pi^{(1)} = \emptyset$  then we have a contribution to  $H_k(x)$  of  $xH_{k-1}(x)$ . Thus,

$$(32) \quad H_k(x) = xH_{k-1}(x) + \sum_{j \geq 1} H_{m,j}(x).$$

To write an equation for  $H_{k,d}(x)$  with  $d \geq 1$ , suppose  $\pi^{(1)}$  has  $d$  left-right maxima  $j_1, j-2, \dots, j_d$ , and write  $\pi$  as

$$\pi = (n+1-k)j_1\alpha^{(1)} \dots j_d\alpha^{(d)}(n+2-k)\alpha^{(d+1)} \dots n\alpha^{(d+k-1)}.$$

Then  $\alpha^{(s)} < j_1$  for all  $s = d+2, d+3, \dots, d+k-1$  (or else  $j_1(n+2-k)(n+3-k)$  form the 134 of a 1342). Now consider two cases:

- $\alpha^{(s)} < j_1$  for all  $s = 2, 3, \dots, d+1$ . Then the  $T$ -avoiding property is undisturbed by deletion of the first letter and so, by definition of  $H_k$ , we have a contribution of  $xH_{k+d-1}(x)$ .



- Otherwise, there is a minimal  $p \in [2, d+1]$  such that  $\alpha^{(p)}$  has a letter greater than  $j_1$ . In fact, this letter is greater than  $j_{p-1}$  (to avoid 1342). Since  $\pi$  avoids 2413 and 2143, we see that  $\alpha^{(s)} < j_1$  for all  $s \neq p$ . Moreover  $\alpha^{(p)}$  has the form  $\beta\gamma$  with  $\beta > j_{p-1}$  and  $\gamma < j_1$ . Note that  $\pi$  avoids  $T$  if and only if  $j_p\gamma j_{p+1}\alpha^{(p+1)} \dots j_d\alpha^{(d)}(n+2-k)\alpha^{(d+1)} \dots n\alpha^{(d+k-1)}$  avoids  $T$  and  $\beta$  avoids 231 and 2143. Thus, we have a contribution of  $x^p(K(x) - 1)H_{k+d-p}(x)$ .

Hence,

$$H_{k,d}(x) = xH_{k+d-1}(x) + \sum_{p=2}^{d+1} x^p(K(x) - 1)H_{k+d-p}(x).$$

Summing over  $d \geq 1$  and using (32), we obtain

$$H_k(x) - xH_{k-1}(x) = \frac{x^2}{1-x}(K(x) - 1)H_{k-1}(x) + \left(x + \frac{x^2}{1-x}(K(x) - 1)\right) \sum_{j \geq k} H_j(x),$$

which leads to

$$(33) \quad H_k(x) = \left(x + \frac{x^2}{1-x}(K(x) - 1)\right) \sum_{j \geq k-1} H_j(x).$$

Also, by deletion of first letter,  $H_2(x) = x(F_T(x) - 1)$ .

Define  $H(x, y) = \sum_{k \geq 2} H_k(x)y^k$ . Multiplying (33) by  $y^k$  and summing over  $k \geq 3$ , we obtain

$$H(x, y) = x(F_T(x) - 1)y^2 + \left(x + \frac{x^2}{1-x}(K(x) - 1)\right) \frac{y^2}{1-y}(yH(x, 1) - H(x, y)).$$

This equation can be solved by the kernel method, taking  $y = C\left(x + \frac{x^2}{1-x}(K(x) - 1)\right)$  where  $C(x)$  is the Catalan generating function. We find that

$$H(x, 1) = x(F_T(x) - 1)C\left(x + \frac{x^2}{1-x}(K(x) - 1)\right),$$

as required.  $\square$

**Theorem 85.** *Let  $T = \{1342, 2143, 2413\}$ . Then*

$$F_T(x) = \frac{1 - 3x + x^2 - \sqrt{(1 - 7x + 13x^2 - 8x^3)(1 - 3x + x^2)}}{2x(1-x)(1-2x)}.$$

*Proof.* Let  $G_m(x)$  be the generating function for  $T$ -avoiders with  $m$  left-right maxima. Clearly,  $G_0(x) = 1$  and  $G_1(x) = xF_T(x)$ .

To write an equation for  $G_m(x)$  with  $m \geq 2$ , suppose  $\pi \in S_n(T)$  has exactly  $m$  left-right maxima. Since  $\pi$  avoids 2413, we can write  $\pi$  as

$$\pi = i_1\alpha^{(1)}i_2\beta^{(2)}\alpha^{(2)} \dots i_m\beta^{(m)}\alpha^{(m)}$$

where  $\alpha^{(s)} < i_1$  for all  $s = 1, 2, \dots, m$  and  $\beta^{(s)} > i_{s-1}$  for all  $s = 2, 3, \dots, m$ . Now, consider the following two cases:

- $\beta^{(2)} \dots \beta^{(m)} = \emptyset$ . By definition of  $H_k$ , we have a contribution of  $H_m(x)$ .
- there exists  $j$  such that  $\beta^{(j)} \neq \emptyset$ . Since  $\pi$  avoids 2143, we see that  $\alpha^{(s)} = \emptyset$  for all  $s = 1, 2, \dots, j-1$ , and  $\beta^{(s)} = \emptyset$  for all  $s \neq j$ . Note that  $\pi$  avoids  $T$  if and only if  $i_j\alpha^{(j)}i_{j+1}\alpha^{(j+1)} \dots i_m\alpha^{(m)}$  avoids  $T$  and  $\beta^{(j)}$  avoids 231 and 2143. Thus, we have a contribution of  $x^{j-1}(K(x) - 1)H_{m+1-j}(x)$ .

Hence,  $G_m(x) = H_m(x) + \sum_{j=2}^m x^{j-1}(K(x) - 1)H_{m+1-j}(x)$ . Summing over  $m \geq 2$  and using the expressions for  $G_0(x)$  and  $G_1(x)$ , we obtain

$$F_T(x) - 1 - xF_T(x) = \sum_{m \geq 2} G_m(x) = \sum_{m \geq 2} H_m(x) + \frac{x(K(x) - 1)}{1 - x} \left( xF_T(x) + \sum_{m \geq 2} H_m(x) \right).$$

Hence, by Lemma 84,

$$\begin{aligned} F_T(x) &= 1 + xF_T(x) + x(F_T(x) - 1) C \left( x + \frac{x^2}{1 - x} (K(x) - 1) \right) \\ &\quad + \frac{x(K(x) - 1)}{1 - x} \left( xF_T(x) + x(F_T(x) - 1) C \left( x + \frac{x^2}{1 - x} (K(x) - 1) \right) \right). \end{aligned}$$

Solve for  $F_T(x)$  and simplify to complete the proof.  $\square$

**3.34. Case 232:**  $\{1234, 1342, 2341\}$ . Let  $c(n; i)$  denote the number of permutations in  $S_n(\{123\})$  whose first letter is  $i$ ,  $1 \leq i \leq n$ .

**Lemma 86.** *Let  $a(n; i_1, i_2, \dots, i_m)$  be the number of permutations in  $S_n(T)$  whose first  $m$  letters are  $i_1 i_2 \dots i_m$  and set  $a_n = |S_n(T)|$ . Then  $a(n; n) = a_{n-1}$  for  $n \geq 1$ , and  $a(n; n-1) = a_{n-1}$  for  $n \geq 2$ ,  $a(n; i, n) = a(n-1; i)$  for  $i = 1, 2, \dots, n-1$ ,*

$$a(n; i, j) = a(n-1; j), \quad 1 \leq j < i \leq n,$$

and

$$a(n; i, j) = c(j-1; i), \quad 1 \leq i < j \leq n-1.$$

*Proof.* We prove only the displayed equations; the other statements are clear since no pattern in  $T$  has first letter 3 or 4, or second letter equal to 4. First, suppose  $\pi = ij\pi' \in S_n(T)$  with  $1 \leq i < j \leq n-1$ . Since  $\pi$  avoids  $T$ , we see that  $\pi = ij\pi''n(n-1) \dots (j+1)$  and  $\pi$  avoids  $T$  if and only if  $i\pi''$  avoids 123. Hence,  $a(n; i, j) = c(j-1; i)$ .

Second, suppose  $\pi = ij\pi' \in S_n(T)$  with  $1 \leq j < i \leq n$ . Note that if  $j\pi'$  contains a pattern in  $T$  then  $\pi$  contains the same pattern. On the other hand, if  $\pi$  contains 1234 (resp. 1342) as  $iabc$  with  $i < a < b < c$  (resp.  $i < c < a < b$ ) then  $j\pi'$  contains 1234 (resp. 1342). If  $\pi$  contains 2341 as  $iabc$  with  $c < i < a < b$ , then  $j\pi'$  contains either  $j < c < a < b$  or  $c < j < a < b$ , which form a 1342 or 2341, respectively. Thus,  $\pi$  avoids  $T$  if and only if  $j\pi'$  avoids  $T$ , which implies that  $a(n; i, j) = a(n-1; j)$  for all  $1 \leq j < i \leq n$ .  $\square$

Define  $A(n; v) = \sum_{i=1}^n a(n; i)v^{i-1}$  and  $C(n; v) = \sum_{i=1}^n c(n; i)v^{i-1}$  for  $n \geq 1$  and set  $A(0; v) = C(0; v) = 1$ .

From Lemma 86 and its notation, we have

$$a(n; i) = \sum_{j=1}^{i-1} a(n-1; j) + \sum_{j=i+1}^{n-1} c(j-1; i)$$

with  $a(n; n) = a(n; n-1) = a_{n-1}$ . Multiplying this recurrence by  $v^{i-1}$  and summing over  $i = 1, 2, \dots, n-2$ , we obtain

$$A(n; v) = \frac{1}{1-v} (A(n-1; v) - v^n A(n-1; 1)) + \sum_{j=1}^{n-2} C(j; v), \quad n \geq 2,$$

while  $A(0; v) = A(1; v) = 1$ .

Now define  $A(x, v) = \sum_{n \geq 0} A(n; v)x^n$  and  $C(x, v) = \sum_{n \geq 0} C(n; v)x^n$ . Then the last recurrence can be written as

$$A(x, v) = 1 + \frac{x}{1-v}(A(x, v) - vA(xv, 1)) + \frac{x^2}{1-x}(C(x, v) - 1).$$

From [8, Section 4.1.1] we have

$$C(x; v) = 1 + \frac{x}{1-v}(C(x, v) - vC(xv, 1)).$$

Now, set  $K(x, v) = 1 - \frac{x}{1-v}$ . Then

$$\begin{aligned} K(x, v)A(x, v) - \frac{x^2}{1-x}C(x, v) &= 1 - \frac{x^2}{1-x} - \frac{xv}{1-v}A(xv, 1), \\ K(x, v)C(x, v) &= 1 - \frac{xv}{1-v}C(xv, 1). \end{aligned}$$

Since  $C(x, 1) = C(x)$ , the Catalan generating function, these equations imply

$$\begin{aligned} K(x/v, v)^2 A(v/x, v) &= K(x/v, v) - \frac{x^2}{v(v-x)}(K(x/v, v) - 1) \\ &\quad - \frac{x}{1-v}K(x/v, v)A(x, 1) - \frac{x^3}{v(1-v)(v-x)}C(x), \end{aligned}$$

By differentiating respect to  $v$ , we have

$$\begin{aligned} \frac{d}{dv}(K(x/v, v)^2 A(v/x, v)) &= K'(x/v, v) - \frac{x^2(2v-x)}{v^2(v-x)^2}(K(x/v, v) - 1) - \frac{x^2}{v(v-x)}K'(x/v, v) \\ &\quad - \frac{x}{(1-v)^2}K(x/v, v)A(x, 1) - \frac{x}{1-v}K'(x/v, v)A(x, 1) \\ &\quad - \frac{x^3(x-2v+3v^2-2xv)}{v^2(1-v)^2(v-x)^2}C(x), \end{aligned}$$

This equation can be solved by the kernel method using  $v = v_0 = 1/(xC(x))$ ,  $K(x/v_0, v_0) = 0$ , leading to the following result.

**Theorem 87.** *Let  $T = \{1234, 1342, 2341\}$ . Then*

$$F_T(x) = \frac{1 - 4x + 2x^2 - (1 - 6x + 9x^2)C(x)}{x(1 - 4x)}.$$

**3.35. Case 242:**  $\{2341, 2431, 3241\}$ .

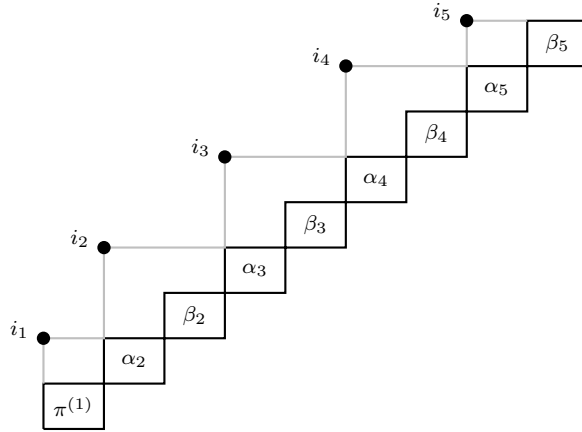
**Theorem 88.** *Let  $T = \{2341, 2431, 3241\}$ . Then  $F_T(x)$  satisfies*

$$F_T(x) = 1 + \frac{x F_T(x)}{1 - x F_T^2(x)}.$$

*Explicitly,*

$$F_T(x) = 1 + \sum_{n \geq 1} x^n \left( \sum_{i=1}^n \frac{1}{i} \binom{n-1}{i-1} \binom{2n-i}{i-1} \right).$$

*Proof.* Let  $G_m(x)$  be the generating function for  $T$ -avoiders with  $m$  left-right maxima. Clearly,  $G_0(x) = 1$  and  $G_1(x) = xF_T(x)$ . Now let  $m \geq 2$ . To find an equation for  $G_m(x)$ , write  $\pi \in S_n(T)$  with  $m$  left-right maxima as  $i_1\pi^{(1)}i_2\pi^{(2)} \cdots i_m\pi^{(m)}$ . Since  $\pi$  avoids 2341,  $i_j < \pi^{(j+2)}$  for  $j = 1, 2, \dots, m-2$ . Since  $\pi$  avoids 2431 and 3241,  $\pi$  is further restricted to have the form illustrated

FIGURE 45. A  $T$ -avoider with  $m = 5$ 

in Figure 45 for  $m = 5$  (blank regions empty). Conversely, in a permutation of this form, if all  $2m - 1$  labelled regions are  $T$ -avoiders, then so is the permutation. Hence,  $G_m(x) = x^m F_T^{2m-1}(x)$ , and this formula also holds for  $m = 1$ . Summing over  $m \geq 0$  yields the equation for  $F_T(x)$ .

Define a function  $g(x, y)$  via the equation  $g(x, y) = \frac{xy(g(x, y)+1)}{1-x(g(x, y)+1)^2}$ , where  $g(x, 1) = F_T(x) - 1$ . The Lagrange Inversion formula [14, Sec. 5.1] yields

$$g(x, y) = \sum_{i \geq 1} y^i \sum_{j \geq 0} \frac{x^{i+j}}{i} \binom{i-1+j}{i-1} \binom{i+2j}{i-1},$$

and picking out the coefficient of  $x^n$  in  $g(x, 1)$  completes the proof.  $\square$

For other combinatorial objects with this counting sequence, see [12, Seq. A106228].

## REFERENCES

- [1] Wikipedia, Permutation pattern, [https://en.wikipedia.org/wiki/Permutation\\_pattern](https://en.wikipedia.org/wiki/Permutation_pattern)
- [2] D. Callan, T. Mansour and M. Shattuck, Wilf classification of triples of 4-letter patterns, preprint, <http://arxiv.org/abs/1605.04969>.
- [3] D. Callan, T. Mansour and M. Shattuck, Wilf classification of triples of 4-letter patterns I, *Discr. Math. Theor. Comput. Sci.*, **19** no. 1 (2017).
- [4] D. Callan, T. Mansour and M. Shattuck, Wilf classification of triples of 4-letter patterns II, *Discr. Math. Theor. Comput. Sci.*, **19** no. 1 (2017).
- [5] D. Callan and T. Mansour, On permutations avoiding 1324, 2143, and another 4-letter pattern, *PU. M. A.* **26** (2017), No. 1, 1–10.
- [6] D. Callan and T. Mansour, On permutations avoiding 1243, 2134, and another 4-letter pattern *PU. M. A.* **26** (2017), No. 1, 11–21.
- [7] D. Callan and T. Mansour, Enumeration of small Wilf classes avoiding 1324 and two other 4-letter patterns, *PU. M. A.*, to appear.
- [8] G. Firro and T. Mansour, Three-letter-pattern-avoiding permutations and functional equations, *Elect. J. of Comb.* **13** (2006), #R51.
- [9] D. E. Knuth, *The Art of Computer Programming*, 3rd edition, Addison Wesley, Reading, MA, 1997.
- [10] T. Mansour and A. Vainshtein, Restricted 132-avoiding permutations, *Adv. in Appl. Math.* **26** (2001), 258–269.
- [11] R. Simion and F. W. Schmidt, Restricted permutations, *European J. Combin.* **6** (1985), 383–406.

- [12] N.J.A. Sloane, The On-Line Encyclopedia of Integer Sequences, <http://www.research.att.com/~njas/sequences>.
- [13] J. West, Generating trees and the Catalan and Schröder numbers, *Discrete Math.* **146** (1995), 247–262.
- [14] H. Wilf, *Generatingfunctionology*, Academic Press, New York, 1990.

DEPARTMENT OF STATISTICS, UNIVERSITY OF WISCONSIN, MADISON, WI 53706

*E-mail address:* `callan@stat.wisc.edu`

DEPARTMENT OF MATHEMATICS, UNIVERSITY OF HAIFA, 3498838 HAIFA, ISRAEL

*E-mail address:* `tmansour@univ.haifa.ac.il`