

# CLUSTER VARIABLES, ANCESTRAL TRIANGLES AND ALEXANDER POLYNOMIALS

WATARU NAGAI AND YUJI TERASHIMA

## 1. INTRODUCTION

Cluster algebras which were introduced by Sergey Fomin and Andrei Zelevinsky [FZ1] has found surprising relations with many branches of mathematics and mathematical physics, such as representation theory, Donaldson-Thomas theory, low dimensional topology, quantum field theories.

In this paper, we give a new relation between cluster algebras and Alexander polynomials for 2-bridge knots. A key tool is an ancestral triangle which appeared in both quantum topology [Y, KW] and hyperbolic geometry [HO, HT, H] in different ways. First, we give a combinatorial formula to express cluster variables associated with ancestral triangles as generating polynomials over paths with weights on ancestral triangles. Second, we find specializations of the cluster variables which are identified with Alexander polynomials for 2-bridge knots.

Kyungyong Lee and Ralf Schiffler [LS] give a very interesting formula to express Jones polynomials for 2-bridge knots as specializations for cluster variables. Therefore, with our results, it implies that cluster variables know both Alexander polynomials and Jones polynomials for 2-bridge knots through different specializations. It would be interesting to generalize the results to any knots. We remark that they use even continued fractions, though we use positive continued fractions.

The paper is organized as follows. In section 2, we construct ancestral triangles and define path and its weight. We recall cluster variables in section 3 and show the cluster expansion formula using paths. We also show some recursions of  $F$ -polynomial as corollaries of the formula. In section 4, we review two-bridge links and Alexander polynomials. Then we show some recursions for the Alexander polynomials of two-bridge links. Finally we state and prove the main theorem.

*Acknowledgments.* We would like to thank R. Inoue, S. Kano, A. Kato, Y. Mizuno, T. Tsuda and M. Wakui for valuable discussions. We are grateful to M. Wakui for careful reading of a draft of the paper and valuable comments. This work is partially supported by JSPS KAKENHI Grant Number 17K05243 and by JST CREST Grant Number JPMJCR14D6, Japan.

## 2. ANCESTRAL TRIANGLE

**2.1. Construction of ancestral triangle.** In this section, we construct an ancestral triangle using continued fraction expansion. Ancestral triangles are introduced by Yamada to compute the Kauffman bracket polynomial of two-bridge knots [Y, KW]. It is also known as Farey diagrams which appear in hyperbolic geometry [HO, HT, H].



FIGURE 1. Two kind of triangles.

Let  $p/q$  be an irreducible fraction between 0 and 1. Let  $a_1, a_2, \dots, a_n$  be positive integers, we denote a continued fraction

$$\frac{1}{a_1 + \frac{1}{a_2 + \frac{1}{\ddots + \frac{1}{a_n}}}}$$

by  $[a_1, a_2, \dots, a_n]$ . We say that a continued fraction  $[a_1, a_2, \dots, a_n]$  is a continued fraction expansion of  $p/q$  if  $p/q = [a_1, a_2, \dots, a_n]$ . Note that all fractions have exactly two continued fraction expansions  $[a_1, a_2, \dots, a_n] = [a_1, a_2, \dots, a_n - 1, 1]$ .

We construct the *ancestral triangle* of  $p/q$  by stacking triangles. We say that a triangle is right or left as shown in Figure 1. Let  $[a_1, a_2, \dots, a_n]$  be one of continued fraction expansion of  $p/q$ . First, we stack  $a_1 - 1$  right triangles. Then, we stack  $a_2$  left triangles,  $a_3$  right triangles,  $\dots$ , and  $a_n$  right (resp. left) triangles if  $n$  is odd (resp. even). We label all vertices with fractions according to following rules. The left vertex of the bottom edge of ancestral triangle is labeled  $0/1$ , and right of that is  $1/1$ . If two vertices in a triangle are labeled  $p/q$  and  $r/s$ , then the other is labeled  $(p+r)/(q+s)$ . We denote the ancestral triangle of  $p/q$  by  $A(p/q)$ .

*Remark 1.* The ancestral triangles constructed above are the mirror images of that of Yamada's definition or Farey diagrams.

We use some notations throughout this paper. For a continued fraction  $[a_1, a_2, \dots, a_n]$ , let  $l_k = \sum_{i=1}^k a_i$ . We denote the first stacked  $a_1 - 1$  right triangles by  $\Delta_1$  and  $a_i$  triangles stacked  $i$ -th by  $\Delta_i$  for  $2 \leq i \leq n$ . For  $i = 2, 3, \dots, n$ , the bottom edge of  $\Delta_i$  means the edge shared by  $\Delta_i$  and  $\Delta_{i-1}$ . We denote the  $i$ -th triangle from the bottom by  $T_i$ .

**Example 2.1.** The ancestral triangle of  $7/19 = [2, 1, 2, 2]$  is shown on the left of Figure 2 and The ancestral triangle of  $3/5 = [1, 1, 2]$  is shown on the right.

**Proposition 2.2.** Let  $p/q$  is an irreducible fraction between 0 and 1. Then

- (1) The top vertex of  $A(p/q)$  is labeled  $p/q$ .
- (2)  $A((q-p)/q)$  is the mirror image of  $A(p/q)$ .
- (3) The vertex of  $A((q-p)/p)$  corresponding to the vertex of  $A(p/q)$  labeled  $r/s$  is labeled  $(s-r)/s$ .

*Proof.* (1) follows from a well known recursion: let  $p_i/q_i = [a_1, a_2, \dots, a_i]$ ,

$$\frac{p_i}{q_i} = \frac{a_i p_{i-1} + p_{i-2}}{a_i q_{i-1} + q_{i-2}}$$

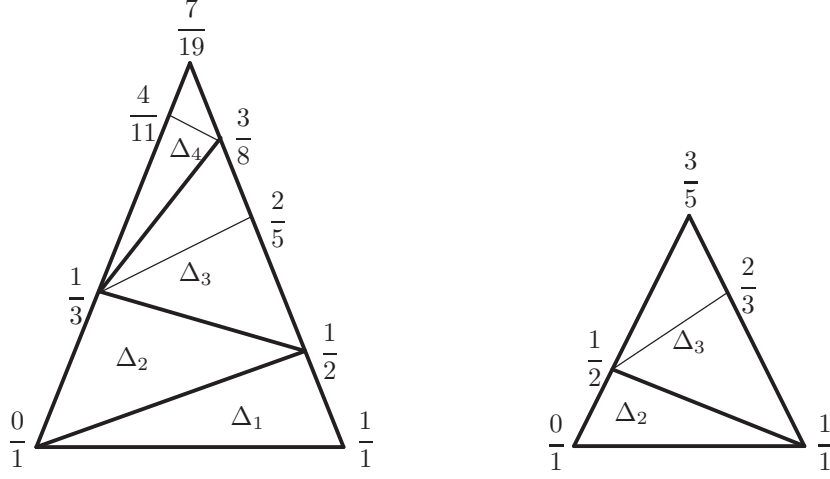


FIGURE 2. Example of ancestral triangles;  $A(7/19)$  on the left,  $A(3/5)$  on the right.  $A(7/19)$  consists of one right triangle  $T_1$ , one left triangle  $T_2$ , two right triangles  $T_3$  and  $T_4$ , and two left triangles  $T_5$  and  $T_6$ .  $A(3/5)$  consists of zero right triangle, one left triangle  $T_1$ , and two right triangles  $T_2$  and  $T_3$ .

We prove (2). The continued fraction expansion of  $p/q$  and  $(q-p)/q$  are  $[a_1, a_2, \dots, a_n]$  with  $a_1 > 1$  and  $[1, a_1 - 1, a_2, \dots, a_n]$ . The ancestral triangle of  $[a_1, a_2, \dots, a_n]$  consists of  $a_1 - 1$  right triangles,  $a_2$  left triangles,  $\dots$ , and that of  $[1, a_1 - 1, a_2, \dots, a_n]$  consists of zero right triangle,  $a_1 - 1$  left triangles,  $a_2$  right triangles,  $\dots$ . These are mirror images of each other. (3) follows (2) and the fact that if two vertices is labeled  $(q-p)/q$  and  $(s-r)/s$ , then the other vertex is labeled  $((q+s)-(p+r))/(q+s)$ .  $\square$

**2.2. paths in ancestral triangle.** In the ancestral triangle of  $p/q$ , we call a sequence of edges  $\gamma = (e_1, e_2, \dots, e_m)$  a *path* if following conditions hold:

- (1) The starting point of  $e_i$  is the endpoint of  $e_{i-1}$ .
- (2) The starting point of  $e_1$  is  $p/q$  and the endpoint of  $e_m$  is  $0/1$  or  $1/1$ .
- (3) The denominator of the starting point of  $e_i$  is greater than the denominator of the endpoint of  $e_i$ .

Paths divide the ancestral triangle into two parts. For a path  $\gamma$ , let  $S_\gamma$  be the set of triangles on the left side of  $\gamma$ .

**Definition 2.3.** Let  $x_i$ 's and  $y_i$ 's be variables. We define the *weight* of a path  $\gamma$ , denoted by  $\text{wt}(\gamma)$ , to be

$$\text{wt}(\gamma) = \prod_{T_i \in S_\gamma} \text{wt}(T_i),$$

where

$$\text{wt}(T_1) = \begin{cases} y_1 x_2 & \text{if } T_1 \text{ is a right triangle;} \\ y_1 / x_2 & \text{if } T_1 \text{ is a left triangle,} \end{cases}$$

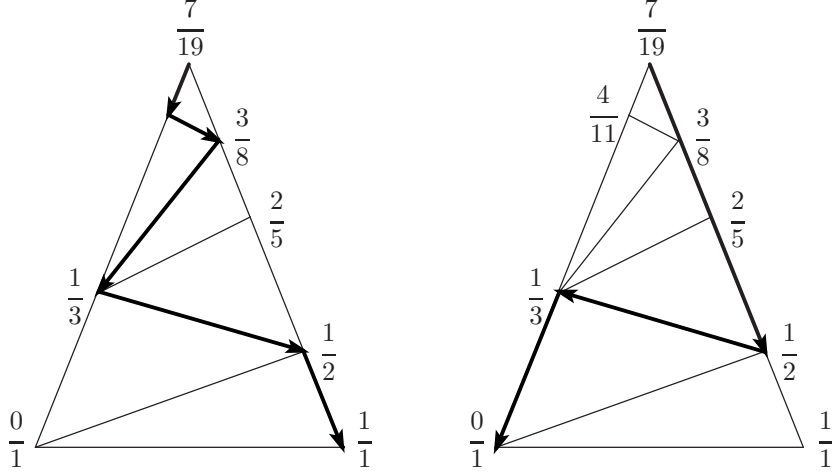


FIGURE 3. Bold arrows on the left is a path and on the right is not a path because the arrow from  $1/2$  to  $1/3$  does not satisfy the condition (3).

and for  $2 \leq i \leq l_n - 1$ ,

$$\text{wt}(T_i) = \begin{cases} y_i x_{i+1}/x_{i-1} & \text{if } T_i \text{ is a right triangle and } T_{i-1} \text{ is a right triangle;} \\ y_i x_{i-1} x_{i+1} & \text{if } T_i \text{ is a right triangle and } T_{i-1} \text{ is a left triangle;} \\ y_i/x_{i-1} x_{i+1} & \text{if } T_i \text{ is a left triangle and } T_{i-1} \text{ is a right triangle;} \\ y_i x_{i-1}/x_{i+1} & \text{if } T_i \text{ is a left triangle and } T_{i-1} \text{ is a left triangle;} \end{cases}$$

with the convention that  $x_{l_n} = 1$ .

**Example 2.4.** An example of path and not path is shown in Figure 3. Let  $\gamma$  be a path shown on the left in that figure. The weight of triangles are as follows:

$$\begin{aligned} \text{wt}(T_1) &= y_1 x_2, & \text{wt}(T_2) &= y_2/x_1 x_3, & \text{wt}(T_3) &= y_3 x_2 x_4, \\ \text{wt}(T_4) &= y_4 x_5/x_3, & \text{wt}(T_5) &= y_5/x_4 x_6, & \text{wt}(T_6) &= y_6 x_5. \end{aligned}$$

Since  $S_\gamma = \{T_1, T_2, T_5\}$ , the weight of  $\gamma$  is

$$\text{wt}(\gamma) = \text{wt}(T_1) \text{wt}(T_2) \text{wt}(T_5) = \frac{y_1 y_2 y_5 x_2}{x_1 x_3 x_4 x_6}.$$

### 3. CLUSTER VARIABLE

In this section, first we recall the definition of cluster variables with principal coefficients. Then we define the cluster variables from the ancestral triangles and show the cluster expansion formula using paths.

**3.1. Cluster variables with principal coefficients.** We will consider cluster algebras with principal coefficients which are defined over tropical semifields.

Let  $N$  be a positive integer. Let  $\text{Trop}(y_1, y_2, \dots, y_N)$  be an abelian group freely generated by the elements  $y_1, y_2, \dots, y_N$ . We define the multiplication  $\cdot$  in

$\text{Trop}(y_1, y_2, \dots, y_N)$  as the usual multiplication of polynomials and define the addition  $\oplus$  in  $\text{Trop}(y_1, y_2, \dots, y_N)$  by

$$\prod_{j=1}^N y_j^{a_j} \oplus \prod_{j=1}^N y_j^{b_j} = \prod_{j=1}^N y_j^{\min(a_j, b_j)}.$$

We call  $(\text{Trop}(y_1, y_2, \dots, y_N), \oplus, \cdot)$  a tropical semifield.

We use the notation that  $[1, N] = \{1, 2, \dots, N\}$  and  $[x]_+ = \max(x, 0)$ . Let  $B = (b_{ij})$  be an  $N \times N$  skew-symmetrizable matrix. Let  $\mathbf{y} = (u_1, u_2, \dots, u_N)$  be an  $N$ -tuple of elements of tropical semifield  $(\text{Trop}(y_1, y_2, \dots, y_N), \oplus, \cdot)$  and  $\mathbf{x} = (X_1, X_2, \dots, X_N)$  an  $N$ -tuple of rational functions in  $2N$  independent variables  $x_1, \dots, x_N, y_1, \dots, y_N$ . We call a triple  $(\mathbf{x}, \mathbf{y}, B)$  a *seed*. For  $k \in [1, N]$ , the *mutation*  $\mu_k$  in direction  $k$  transforms  $(\mathbf{x}, \mathbf{y}, B)$  into  $\mu_k(\mathbf{x}, \mathbf{y}, B) = (\mathbf{x}', \mathbf{y}', B')$  defined as follows:

- The entries of  $B' = (b'_{ij})$  are given by

$$b'_{ij} = \begin{cases} -b_{ij} & \text{if } i = k \text{ or } j = k \\ b_{ij} + \text{sgn}(b_{ik})[b_{ik}b_{kj}]_+ & \text{otherwise.} \end{cases}$$

- $\mathbf{y}' = (u'_1, u'_2, \dots, u'_N)$  is given by

$$u'_j = \begin{cases} u_k^{-1} & \text{if } j = k; \\ u_j u_k^{[b_{kj}]_+} (u_k \oplus 1)^{-b_{kj}} & \text{if } j \neq k. \end{cases}$$

- $\mathbf{x}' = (X'_1, X'_2, \dots, X'_N)$  is given by

$$X'_j = \begin{cases} \frac{\prod X_i^{[-b_{ik}]_+} + u_k \prod X_i^{[b_{ik}]_+}}{(u_k \oplus 1)X_k} & \text{if } j = k; \\ X_j & \text{if } j \neq k. \end{cases}$$

Let  $Q$  be a finite quiver without 1-loops and 2-cycles with vertex set  $[1, N]$ . The  $N \times N$  skew-symmetric matrix  $B^Q = (b_{ij}^Q)$  corresponding to  $Q$  is defined by  $b_{ij}^Q = Q_{ij} - Q_{ji}$  where  $Q_{ij}$  is the number of arrows from  $i$  to  $j$  in  $Q$ . Therefore we regard a triple  $(\mathbf{x}, \mathbf{y}, Q)$  as a seed  $(\mathbf{x}, \mathbf{y}, B^Q)$ .

We call a seed  $((x_1, x_2, \dots, x_N), (y_1, y_2, \dots, y_N), Q)$  an *initial seed* and denote it by  $(\mathbf{x}_0, \mathbf{y}_0, Q_0)$ . We say  $X$  is a *cluster variable* if there exists a seed  $(\mathbf{x}, \mathbf{y}, Q) = \mu_{i_k} \circ \dots \circ \mu_{i_1}(\mathbf{x}_0, \mathbf{y}_0, Q_0)$  for some mutations  $\mu_{i_1}, \dots, \mu_{i_k}$  and  $X$  is an element of  $\mathbf{x}$ . It is known that all cluster variables are elements of  $\mathbb{Z}[x_1^{\pm 1}, \dots, x_N^{\pm 1}, y_1, \dots, y_N]$ . The *F-polynomial* is a polynomial in  $\mathbb{Z}[y_1, \dots, y_N]$  obtained by substituting 1 for all  $x_i$ .

**Example 3.1.** Let  $Q_0$  be a quiver  $1 \longrightarrow 2 \longleftarrow 3$  and  $(\mathbf{x}_i, \mathbf{y}_i, Q_i) = \mu_i \circ \dots \circ \mu_1(\mathbf{x}_0, \mathbf{y}_0, Q_0)$ . Seeds  $(\mathbf{x}_0, \mathbf{y}_0, Q_0)$ ,  $(\mathbf{x}_1, \mathbf{y}_1, Q_1)$ ,  $(\mathbf{x}_2, \mathbf{y}_2, Q_2)$ , and  $(\mathbf{x}_3, \mathbf{y}_3, Q_3)$  are as follows:

$i$	$\mathbf{x}_i$	$\mathbf{y}_i$	$Q_i$
0	$(x_1, x_2, x_3)$	$(y_1, y_2, y_3)$	$1 \longrightarrow 2 \longleftarrow 3$
1	$\left(\frac{x_2 + y_1}{x_1}, x_2, x_3\right)$	$\left(\frac{1}{y_1}, y_1 y_2, y_3\right)$	$1 \longleftarrow 2 \longleftarrow 3$
2	$\left(\frac{x_2 + y_1}{x_1}, \frac{x_2 + y_1 + y_1 y_2 x_1 x_3}{x_1 x_2}, x_3\right)$	$\left(y_2, \frac{1}{y_1 y_2}, y_3\right)$	$1 \xrightarrow{\quad} 2 \xrightarrow{\quad} 3$
3	$\left(\frac{x_2 + y_1}{x_1}, \frac{x_2 + y_1 + y_1 y_2 x_1 x_3}{x_1 x_2}, X'_3\right)$	$\left(y_2 y_3, \frac{1}{y_1 y_2}, \frac{1}{y_3}\right)$	$1 \xrightarrow{\quad} 2 \longleftarrow 3$

where

$$X'_3 = \frac{x_2^2 + y_1 x_2 + y_3 x_2 + y_1 y_3 + y_1 y_2 y_3 x_1 x_3}{x_1 x_2 x_3}.$$

**3.2. Cluster variables from ancestral triangles.** Let  $p/q$  be an irreducible fraction between 0 and 1, and  $[a_1, a_2, \dots, a_n]$  its continued fraction expansion. Let  $N = l_n - 1$ . To define the cluster variable from the ancestral triangle  $A(p/q)$ , we construct an initial quiver  $Q_0$  as follows:

- The vertices set of  $Q_0$  is  $[1, N]$ .
- For  $i = 1, 2, \dots, N - 1$ , we put an arrow from  $i + 1$  to  $i$  if  $T_i$  is a right triangle, and put an arrow from  $i$  to  $i + 1$  if  $T_i$  is a left triangle.

**Example 3.2.** The initial quiver of  $A(7/19)$  has 6 vertices. According to Figure 2,  $T_1, T_3$ , and  $T_4$  are right triangles and  $T_2$  and  $T_5$  are left triangles. Thus, the initial quiver is

$$1 \longleftarrow 2 \longrightarrow 3 \longleftarrow 4 \longleftarrow 5 \longrightarrow 6.$$

Let  $(\mathbf{x}, \mathbf{y}, Q) = \mu_N \circ \mu_{N-1} \circ \dots \circ \mu_2 \circ \mu_1(\mathbf{x}_0, \mathbf{y}_0, Q_0)$ . We call the  $N$ -th element of  $\mathbf{x}$  the cluster variable from  $A(p/q)$  and denote it by  $X_{p/q}$ .

**Theorem 3.3.** Let  $\Gamma_{p/q}$  be the set of all paths in  $A(p/q)$ . Then

$$(1) \quad X_{p/q} = \frac{D}{x_1 x_2 \cdots x_N} \sum_{\gamma \in \Gamma_{p/q}} \text{wt}(\gamma),$$

where

$$D = \prod_{i=1}^N (\text{the denominator of } \text{wt}(T_i))$$

In particular, let  $F_{p/q}$  be the  $F$ -polynomial obtained from  $X_{p/q}$ ,

$$F_{p/q} = \sum_{\gamma \in \Gamma_{p/q}} \prod_{T_i \in S_\gamma} y_i.$$

*Proof.* Before we prove the cluster expansion formula (1), we only consider about quiver. To simplify the proof, let  $\tilde{Q}$  be a quiver obtained from  $Q$  by adding three vertices  $-1, 0$ , and  $N + 1$ , an arrow from  $1$  to  $-1$ , an arrow from  $0$  to  $1$ , and an arrow from  $N$  to  $N + 1$ . We set  $x_{-1} = x_0 = x_{N+1} = 1$ . Since three additional variables are equal to 1, these changes do not affect cluster variables. We focus on the vertex  $i$  of  $\mu_{i-1} \circ \dots \circ \mu_1(\tilde{Q})$  for  $1 \leq i \leq N$ . It is easy to check that three arrows are incident with  $i$  as follows:

$i$	from	to
$l_{2k} + 1 \leq i \leq l_{2k+1} - 1$	$i + 1, i - 1$	$l_{2k} - 1$
$l_{2k+1}$	$i - 1$	$i + 1, l_{2k} - 1$
$l_{2k+1} + 1 \leq i \leq l_{2k+2} - 1$	$l_{2k+1} - 1$	$i + 1, i - 1$
$l_{2k}$	$l_{2k-1} - 1, i + 1$	$i - 1$

Then, we prove (1) by induction on  $i$ . If  $i = 1$ , then the cluster variable is

$$X'_1 = \begin{cases} \frac{1 + y_1 x_2}{x_1} & \text{if } 1 \longleftarrow 2; \\ \frac{y_1 + x_2}{x_1} & \text{if } 1 \longrightarrow 2. \end{cases}$$

On the other hand, the RHS of (1) is

$$\begin{cases} \frac{1}{x_1}(1 + \text{wt}(T_1)) = \frac{1}{x_1}(1 + y_1 x_2) & \text{if } T_1 \text{ is a right triangle;} \\ \frac{x_2}{x_1}(1 + \text{wt}(T_1)) = \frac{x_2}{x_1} \left(1 + \frac{y_1}{x_2}\right) & \text{if } T_1 \text{ is a left triangle;} \end{cases}$$

and Theorem 3.3 holds. Suppose that  $i > 1$ . Let  $p_i/q_i$  be a fraction which has the greatest denominator of labels of vertices of  $T_i$ . Let  $\Gamma_{p/q}^{(i)}$  be the set of paths from  $p_i/q_i$  and  $D_i = \prod_{k=1}^i$  (the denominator of  $\text{wt}(T_k)$ ). By induction, we may assume

$$X'_k = \frac{D_k}{x_1 \cdots x_k} \left( \sum_{\gamma \in \Gamma_{p/q}^{(k)}} \text{wt}(\gamma) \right)$$

for  $k < i$ .

If  $l_{2k} + 1 \leq i \leq l_{2k+1} - 1$ , then the cluster variable is

$$X'_i = \frac{y_i x_{i+1} X'_{i-1} + X_{l_{2k}-1}}{x_i}.$$

According to on the upper left of Figure 4,  $T_i$  is a right triangle. The left vertex of  $T_i$  is labeled  $p_{l_{2k}-1}/q_{l_{2k}-1}$  and the right vertex is labeled  $p_{i-1}/q_{i-1}$ . Any  $\gamma \in \Gamma_{p/q}^{(i)}$  is obtained by adding an edge  $(p_i/q_i, p_{i-1}/q_{i-1})$  to an element of  $\Gamma_{p/q}^{(i-1)}$  or adding an edge  $(p_i/q_i, p_{l_{2k}-1}/q_{l_{2k}-1})$  to an element of  $\Gamma_{p/q}^{(l_{2k}-1)}$ . For a path obtained by the former way, since  $T_i$  is on the left side of the path, the weight of the path is the product of the original weight and  $\text{wt}(T_i)$ . For a path obtained by the latter way, the weight of path is equal to the original weight. Since  $T_{l_{2k}-1}$  is a left triangle and  $T_{l_{2k}}, T_{l_{2k}+1}, \dots, T_i$  are right triangles, we have  $D_i = x_{i-1} D_{i-1} =$

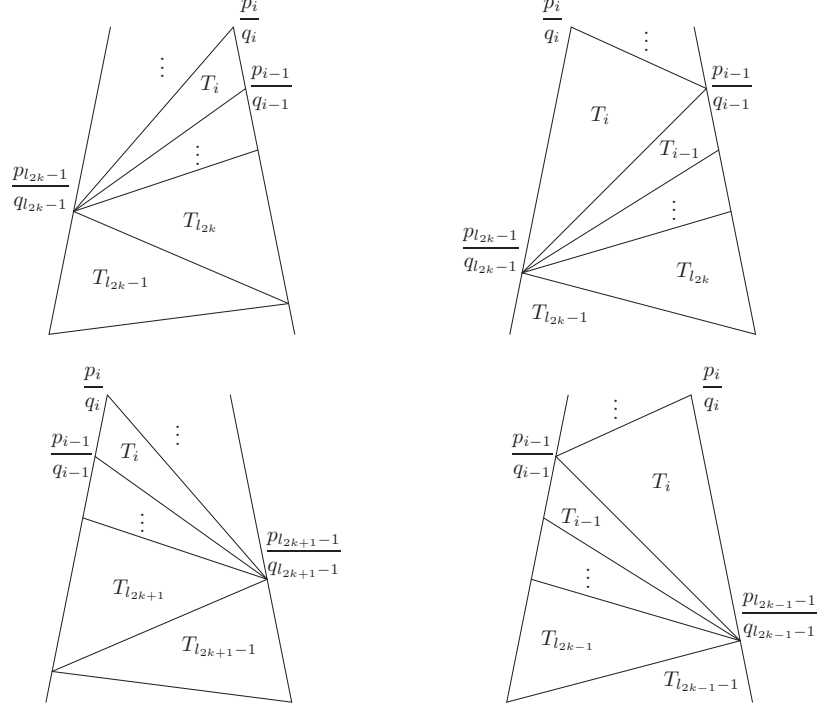


FIGURE 4. Triangles under  $T_i$ ;  $l_{2k} + 1 \leq i \leq l_{2k+1} - 1$  on the upper left,  $i = l_{2k+1}$  on the upper right,  $l_{2k+1} + 1 \leq i \leq l_{2k+2} - 1$  on bottom left,  $i = l_{2k}$  on bottom right.

$x_{l_{2k}} x_{l_{2k+1}} \cdots x_{i-1} D_{l_{2k}-1}$ . Thus, the RHS of (1) is

$$\begin{aligned}
\frac{D_i}{x_1 x_2 \cdots x_i} \sum_{\gamma \in \Gamma_{p/q}^{(i)}} \text{wt}(\gamma) &= \frac{D_i}{x_1 x_2 \cdots x_i} \left( \sum_{\gamma \in \Gamma_{p/q}^{(i-1)}} \text{wt}(T_i) \text{wt}(\gamma) + \sum_{\gamma \in \Gamma_{p/q}^{(l_{2k}-1)}} \text{wt}(\gamma) \right) \\
&= \frac{x_{i-1} D_{i-1} y_i x_{i+1} \sum_{\gamma \in \Gamma_{p/q}^{(i-1)}} \text{wt}(\gamma)}{x_1 x_2 \cdots x_i x_{i-1}} \\
&\quad + \frac{x_{l_{2k}} x_{l_{2k+1}} \cdots x_{i-1} D_{l_{2k}-1} \sum_{\gamma \in \Gamma_{p/q}^{(l_{2k}-1)}} \text{wt}(\gamma)}{x_1 x_2 \cdots x_i} \\
&= \frac{y_i x_{i+1} X'_{i-1}}{x_i} + \frac{X'_{l_{2k}-1}}{x_i},
\end{aligned}$$

which is equal to  $X'_i$ .

If  $i = l_{2k+1}$ , then the cluster variable is

$$X'_i = \frac{y_i X'_{i-1} + x_{i+1} X'_{l_{2k}-1}}{x_i}.$$

Since  $T_i$  and  $T_{l_{2k}-1}$  are left triangles and  $T_{l_{2k}}, \dots, T_{i-1}$  are right triangles, we have

$$\sum_{\gamma \in \Gamma_{p/q}^{(i)}} \text{wt}(\gamma) = \sum_{\gamma \in \Gamma_{p/q}^{(i-1)}} \text{wt}(T_i) \text{wt}(\gamma) + \sum_{\gamma \in \Gamma_{p/q}^{(l_{2k}-1)}} \text{wt}(\gamma);$$

$$D_i = x_{i-1} x_{i+1} D_{i-1} = x_{l_{2k}} x_{l_{2k+1}} \cdots x_{i-2} x_{i-1} x_{i+1} D_{l_{2k}-1}.$$



Thus,

$$\begin{aligned}
 \frac{D_i}{x_1 x_2 \cdots x_i} \sum_{\gamma \in \Gamma_{p/q}^{(i)}} \text{wt}(\gamma) &= \frac{D_i}{x_1 x_2 \cdots x_i} \left( \sum_{\gamma \in \Gamma_{p/q}^{(i-1)}} \text{wt}(T_i) \text{wt}(\gamma) + \sum_{\gamma \in \Gamma_{p/q}^{(l_{2k}-1)}} \text{wt}(\gamma) \right) \\
 &= \frac{x_{i-1} x_{i+1} D_{i-1} y_i \sum_{\gamma \in \Gamma_{p/q}^{(i-1)}} \text{wt}(\gamma)}{x_1 x_2 \cdots x_i x_{i-1} x_{i+1}} \\
 &\quad + \frac{x_{l_{2k}} x_{l_{2k}+1} \cdots x_{i-2} x_{i-1} x_{i+1} D_{l_{2k}-1} \sum_{\gamma \in \Gamma_{p/q}^{(l_{2k}-1)}} \text{wt}(\gamma)}{x_1 x_2 \cdots x_i} \\
 &= \frac{y_i X'_{i-1}}{x_i} + \frac{x_{i+1} X'_{l_{2k}-1}}{x_i} = X'_i.
 \end{aligned}$$

If  $l_{2k+1} + 1 \leq i \leq l_{2k+2} - 1$ , then the cluster variable is

$$X'_i = \frac{\prod_{k=l_{2k+1}}^i y_k \cdot X'_{l_{2k+1}-1} + x_{i+1} X'_{i-1}}{x_i}.$$

Since  $T_{l_{2k+1}}, \dots, T_i$  are left triangles and  $T_{l_{2k+1}-1}$  is a right triangle, we have

$$\sum_{\gamma \in \Gamma_{p/q}^{(i)}} \text{wt}(\gamma) = \sum_{\gamma \in \Gamma_{p/q}^{(l_{2k+1}-1)}} \text{wt}(\gamma) \cdot \prod_{k=l_{2k+1}}^i \text{wt}(T_k) + \sum_{\gamma \in \Gamma_{p/q}^{(i-1)}} \text{wt}(\gamma);$$

$$D_i = x_{i+1} D_{i-1} = x_{l_{2k+1}+2} x_{l_{2k+1}+3} \cdots x_{i+1} x_{l_{2k+1}-1} x_{l_{2k+1}+1} D_{l_{2k+1}-1}.$$

Thus,

$$\begin{aligned}
 &\frac{D_i}{x_1 x_2 \cdots x_i} \sum_{\gamma \in \Gamma_{p/q}^{(i)}} \text{wt}(\gamma) \\
 &= \frac{D_i}{x_1 x_2 \cdots x_i} \left( \sum_{\gamma \in \Gamma_{p/q}^{(l_{2k+1}-1)}} \text{wt}(\gamma) \cdot \prod_{k=l_{2k+1}}^i \text{wt}(T_k) + \sum_{\gamma \in \Gamma_{p/q}^{(i-1)}} \text{wt}(\gamma) \right) \\
 &= \frac{x_{l_{2k+1}+2} \cdots x_{i+1} x_{l_{2k+1}-1} x_{l_{2k+1}+1} \prod_{k=l_{2k+1}}^i y_i \sum_{\gamma \in \Gamma_{p/q}^{(l_{2k+1}-1)}} \text{wt}(\gamma)}{x_1 x_2 \cdots x_i x_i x_{i+1} x_{l_{2k+1}-1} x_{l_{2k+1}+1}} \\
 &\quad + \frac{x_{i+1} D_{i-1} \sum_{\gamma \in \Gamma_{p/q}^{(i-1)}} \text{wt}(\gamma)}{x_1 x_2 \cdots x_i} \\
 &= \frac{\prod_{k=l_{2k+1}}^i y_k \cdot X'_{l_{2k+1}-1}}{x_i} + \frac{x_{i+1} X'_{i-1}}{x_i} = X'_i.
 \end{aligned}$$

If  $i = l_{2k}$ , then the cluster variable is

$$X'_i = \frac{\prod_{k=l_{2k-1}}^i y_k \cdot x_{i+1} X'_{l_{2k-1}-1} + X'_{i-1}}{x_i}.$$

Since  $T_{l_{2k-1}}, \dots, T_{i-1}$  are left triangles and  $T_{l_{2k-1}-1}$  and  $T_i$  are right triangles, we have

$$\sum_{\gamma \in \Gamma_{p/q}^{(i)}} \text{wt}(\gamma) = \sum_{\gamma \in \Gamma_{p/q}^{(l_{2k-1}-1)}} \text{wt}(\gamma) \cdot \prod_{k=l_{2k-1}}^i \text{wt}(T_k) + \sum_{\gamma \in \Gamma_{p/q}^{(i-1)}} \text{wt}(\gamma);$$

$$D_i = D_{i-1} = x_{l_{2k-1}+2} x_{l_{2k-1}+3} \cdots x_i x_{l_{2k-1}-1} x_{l_{2k-1}+1} D_{l_{2k-1}-1}.$$

Thus,

$$\begin{aligned}
& \frac{D_i}{x_1 x_2 \cdots x_i} \sum_{\gamma \in \Gamma_{p/q}^{(i)}} \text{wt}(\gamma) \\
= & \frac{D_i}{x_1 x_2 \cdots x_i} \left( \sum_{\gamma \in \Gamma_{p/q}^{(l_{2k-1}-1)}} \text{wt}(\gamma) \cdot \prod_{k=l_{2k-1}}^i \text{wt}(T_k) + \sum_{\gamma \in \Gamma_{p/q}^{(i-1)}} \text{wt}(\gamma) \right) \\
= & \frac{x_{l_{2k-1}+2} \cdots x_i x_{l_{2k-1}-1} x_{l_{2k-1}+1} D_{l_{2k-1}-1} x_{l_{2k-1}} x_{l_{2k-1}+1} x_{i-1} x_{i+1} \prod_{k=l_{2k+1}}^i y_i \sum_{\gamma \in \Gamma_{p/q}^{(l_{2k-1}-1)}} \text{wt}(\gamma)}{x_1 x_2 \cdots x_i x_{i-1} x_i x_{l_{2k-1}-1} x_{l_{2k-1}+1}} \\
& + \frac{D_{i-1} \sum_{\gamma \in \Gamma_{p/q}^{(i-1)}} \text{wt}(\gamma)}{x_1 x_2 \cdots x_i} \\
= & \frac{\prod_{k=l_{2k-1}}^i y_k \cdot x_{i+1} X'_{l_{2k+1}-1}}{x_i} + \frac{x_{i+1} X'_{i-1}}{x_i} = X'_i.
\end{aligned}$$

This complete the induction. We substitute  $N$  for  $k$  in the assumption:

$$X'_N = \frac{D_N}{x_1 \cdots x_N} \left( \sum_{\gamma \in \Gamma_{p/q}^{(N)}} \text{wt}(\gamma) \right).$$

By definition,  $X'_N = X_{p/q}$ ,  $D_N = D$ , and  $\Gamma_{p/q}^{(N)} = \Gamma_{p/q}$ . Therefore (1) holds.  $\square$

*Remark 2.* In [LS], they denote cluster variable corresponding to continued fraction  $[a_1, a_2, \dots, a_n]$  by  $x[a_1, a_2, \dots, a_n]$  and  $F$ -polynomial obtained from  $x[a_1, a_2, \dots, a_n]$  by  $F[a_1, a_2, \dots, a_n]$ . This correspondence consists of two parts, correspondence between cluster variables from triangulations and snake graphs [MS] and correspondence between snake graphs and continued fractions [CS]. We can regard  $A(p/q)$  as the triangulation of  $(N+3)$ -gon by adding a vertex  $v$  and two edges between  $v$  and  $0/1$  and between  $v$  and  $1/1$  and the quiver corresponding to the triangulation is the same as  $Q_0$  defined above. Since the snake graph corresponding to cluster variable of that corresponds to  $q/p$ , we can regard  $X_{p/q}$  as  $x[a_1, a_2, \dots, a_n]$  and  $F_{p/q}$  as  $F[a_1, a_2, \dots, a_n]$  where  $p/q = [a_1, a_2, \dots, a_n]$ . Note that we and they use the same notation to denote continued fractions, but their definition is the inverse of ours.

**Example 3.4.** The ancestral triangle  $A(3/5)$  is shown on the right of Figure 2. The weights of triangles are  $\text{wt}(T_1) = y_1/x_2$ ,  $\text{wt}(T_2) = y_2 x_1 x_3$ , and  $\text{wt}(T_3) = y_3/x_2$ . Paths in  $A(p/q)$  and their weight are as follows:

$\gamma$	$S_\gamma$	$\text{wt}(\gamma)$
$\frac{3}{5} \rightarrow \frac{1}{2} \rightarrow \frac{0}{1}$	$\emptyset$	1
$\frac{3}{5} \rightarrow \frac{1}{2} \rightarrow \frac{1}{1}$	$\{T_1\}$	$\frac{y_1}{x_2}$
$\frac{3}{5} \rightarrow \frac{2}{3} \rightarrow \frac{1}{2} \rightarrow \frac{0}{1}$	$\{T_3\}$	$\frac{y_3}{x_2}$
$\frac{3}{5} \rightarrow \frac{2}{3} \rightarrow \frac{1}{2} \rightarrow \frac{1}{1}$	$\{T_1, T_3\}$	$\frac{y_1 y_3}{x_2^2}$
$\frac{3}{5} \rightarrow \frac{2}{3} \rightarrow \frac{1}{1}$	$\{T_1, T_2, T_3\}$	$\frac{y_1 y_2 y_3 x_1 x_3}{x_2^2}$

By Theorem 3.3, we have

$$\begin{aligned}
 X_{3/5} &= \frac{x_2^2}{x_1 x_2 x_3} \left( 1 + \frac{y_1}{x_2} + \frac{y_3}{x_2} + \frac{y_1 y_3}{x_2^2} + \frac{y_1 y_2 y_3 x_1 x_3}{x_2^2} \right) \\
 &= \frac{x_2^2}{x_1 x_2 x_3} + \frac{y_1 x_2}{x_1 x_2 x_3} + \frac{y_3 x_2}{x_1 x_2 x_3} + \frac{y_1 y_3}{x_1 x_2 x_3} + \frac{y_1 y_2 y_3 x_1 x_3}{x_1 x_2 x_3} \\
 &= \frac{x_2^2 + y_1 x_2 + y_3 x_2 + y_1 y_3 + y_1 y_2 y_3 x_1 x_3}{x_1 x_2 x_3}.
 \end{aligned}$$

On the other hand, the initial quiver of  $A(3/5)$  is

$$Q_0 = 1 \longrightarrow 2 \longleftarrow 3$$

and  $X_{3/5}$  is the third element of  $\mathbf{x}$  in the seed  $(\mathbf{x}, \mathbf{y}, Q) = \mu_3 \circ \mu_2 \circ \mu_1(\mathbf{x}_0, \mathbf{y}_0, Q_0)$ . Since the initial seed is same as Example 3.1,  $(\mathbf{x}, \mathbf{y}, Q)$  is equal to  $(\mathbf{x}_3, \mathbf{y}_3, Q_3)$  in Example 3.1. In particular,

$$X_{3/5} = X'_3 = \frac{x_2^2 + y_1 x_2 + y_3 x_2 + y_1 y_3 + y_1 y_2 y_3 x_1 x_3}{x_1 x_2 x_3}.$$

**Corollary 3.5.**  $F$ -polynomials  $F_{p/q}$  and  $F_{(q-p)/q}$  satisfy the following equation:

$$F_{(q-p)/q} = y_1 y_2 \cdots y_N \overline{F_{p/q}}$$

where  $\overline{F_{p/q}}$  is obtained by substituting  $y_i^{-1}$  for  $y_i$  for  $i = 1, 2, \dots, N$ .

*Proof.* For a path  $\gamma \in \Gamma_{p/q}$ , let  $\overline{\gamma} \in \Gamma_{(q-p)/q}$  be the mirror image of  $\gamma$ , that is, when  $\gamma$  goes an edge  $(r/s, t/u)$  of  $A(p/q)$ ,  $\overline{\gamma}$  goes the edge  $((s-r)/s, (u-t)/u)$  of  $A((q-p)/q)$ . Since this correspondence is bijective, a triangle is on the left side of  $\overline{\gamma}$  in  $A((q-p)/q)$  if and only if the corresponding triangle is on the right side of  $\gamma$  in  $A(p/q)$ . Thus we have  $S_{\overline{\gamma}} = \{T_1, T_2, \dots, T_N\} \setminus S_\gamma$  and

$$\begin{aligned}
 F_{(q-p)/q} &= \sum_{\overline{\gamma} \in \Gamma_{(q-p)/q}} \prod_{T_i \in S_{\overline{\gamma}}} y_i \\
 &= \sum_{\gamma \in \Gamma_{p/q}} \prod_{T_i \in \{T_1, T_2, \dots, T_N\} \setminus S_\gamma} y_i \\
 &= \sum_{\gamma \in \Gamma_{p/q}} y_1 y_2 \cdots y_N \prod_{T_i \in S_\gamma} y_i^{-1} \\
 &= y_1 y_2 \cdots y_N \overline{F_{p/q}}.
 \end{aligned}$$

□

**Corollary 3.6.** Let  $F_{[a_1, a_2, \dots, a_n]} = F_{p/q}$  if  $p/q = [a_1, a_2, \dots, a_n]$ .  $F$ -polynomials satisfy the following equations:

$$(2) \quad F_{[a_1, a_2, \dots, a_{n-1}, 1]} = F_{[a_1, a_2, \dots, a_n]};$$

and if  $a_n \geq 2$ ,  $F_{[a_1, a_2, \dots, a_n]} =$

$$(3) \quad \begin{cases} F_{[a_1, a_2, \dots, a_{n-1}]} + y_N F_{[a_1, a_2, \dots, a_{n-1}]} & \text{if } n \text{ is odd;} \\ \left( \prod_{i=l_{n-1}}^N y_i \right) F_{[a_1, a_2, \dots, a_{n-1}]} + F_{[a_1, a_2, \dots, a_{n-1}]} & \text{if } n \text{ is even.} \end{cases}$$

*Proof.* (2) is clear. We prove (3). Let  $\alpha = [a_1, a_2, \dots, a_{n-1}]$  and  $\beta = [a_1, a_2, \dots, a_{n-1}]$ . All  $\gamma \in \Gamma_{p/q}$  has the form  $((p/q, \alpha), \gamma')$  or  $((p/q, \beta), \gamma'')$  where  $\gamma'$  is a path from  $\alpha$  and  $\gamma''$  is a path from  $\beta$ . If  $n$  is odd, triangles on the left side of  $\gamma$  are same as those of  $\gamma'$  in the former case and are those of  $\gamma''$  and a triangle  $T_N$  in the latter case. If  $n$  is even, triangles on the left side of  $\gamma$  are same as those of  $\gamma''$  in the latter case and are those of  $\gamma'$  and triangles  $T_{l_{n-1}}, T_{l_{n-1}+1}, \dots, T_N$  in the former case. □

**Corollary 3.7.** With the notation in Corollary 3.6,  $F$ -polynomials satisfy the following recursions with the convention that  $F_{[a_1, a_2, \dots, a_0]} = 1$  and  $F_{[a_1, a_2, \dots, a_{n-1}, 0]} = F_{[a_1, a_2, \dots, a_{n-2}]}$ :

If  $n$  is odd, then

$$(4) \quad F_{[a_1, a_2, \dots, a_{n-1}, 2]} = (1 + y_N) F_{[a_1, a_2, \dots, a_{n-1}]} + \left( \prod_{i=l_{n-2}}^N y_i \right) F_{[a_1, a_2, \dots, a_{n-2}]};$$

$$(5) \quad F_{[a_1, a_2, \dots, a_{n-1}, 2]} = (1 + y_N) F_{[a_1, a_2, \dots, a_{n-1}, 1]} - \left( \prod_{i=l_{n-2}}^{N-1} y_i \right) F_{[a_1, a_2, \dots, a_{n-2}]};$$

and for  $a_i \geq 3$ ,

$$(6) \quad F_{[a_1, a_2, \dots, a_n]} = (1 + y_N) F_{[a_1, a_2, \dots, a_{n-1}]} - y_{N-1} F_{[a_1, a_2, \dots, a_{n-2}]};$$

$$(7) \quad F_{[a_1, a_2, \dots, a_n]} = (1 + y_N) F_{[a_1, a_2, \dots, a_{n-1}]} + y_{N-1} y_N F_{[a_1, a_2, \dots, a_{n-2}]}$$

If  $n$  is even and  $a_n \geq 2$ , then

$$(8) \quad F_{[a_1, a_2, \dots, a_n]} = (1 + y_N) F_{[a_1, a_2, \dots, a_{n-1}]} - y_N F_{[a_1, a_2, \dots, a_{n-2}]};$$

$$(9) \quad F_{[a_1, a_2, \dots, a_n]} = \left( \prod_{i=l_{n-1}}^{N-1} y_i \right) (1 + y_N) F_{[a_1, a_2, \dots, a_{n-1}]} + F_{[a_1, a_2, \dots, a_{n-2}]}$$

*Proof.* Applying Corollary 3.6 twice yields these recursions. □

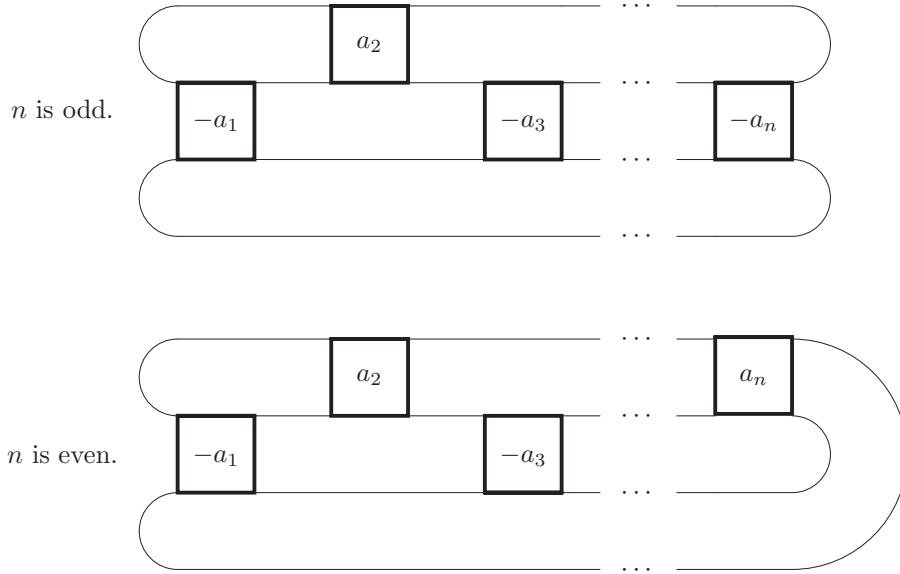


FIGURE 5. Two-bridge link diagrams. Each box represents a 2-strand braid.

#### 4. ALEXANDER POLYNOMIAL

4.1. **Two-bridge links.** In this subsection, we review a notation of two-bridge links. We denote a 2-strand braid with  $m$  crossings by

$$\boxed{m} = \begin{cases} \overbrace{\left[ \begin{array}{c} \diagdown \quad \diagup \\ \diagup \quad \diagdown \end{array} \right] \cdots \left[ \begin{array}{c} \diagdown \quad \diagup \\ \diagup \quad \diagdown \end{array} \right]}^m & \text{if } m > 0 \\ \overbrace{\left[ \begin{array}{c} \diagup \quad \diagdown \\ \diagdown \quad \diagup \end{array} \right] \cdots \left[ \begin{array}{c} \diagup \quad \diagdown \\ \diagdown \quad \diagup \end{array} \right]}^m & \text{if } m < 0 \end{cases}$$

For a continued fraction  $[a_1, a_2, \dots, a_n]$ , a link who has the link diagram of the form in Figure 5 is called a *two-bridge link*. We denote it by  $K([a_1, a_2, \dots, a_n])$ . It is also denoted by  $K(p/q)$  if  $[a_1, a_2, \dots, a_n]$  is a continued fraction expansion of  $p/q$ .  $K(p/q)$  is well-defined because of Proposition 4.1 (3).

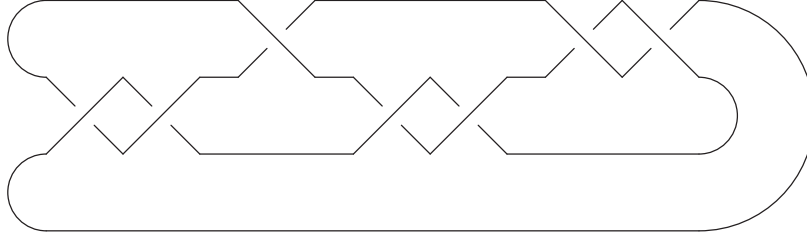
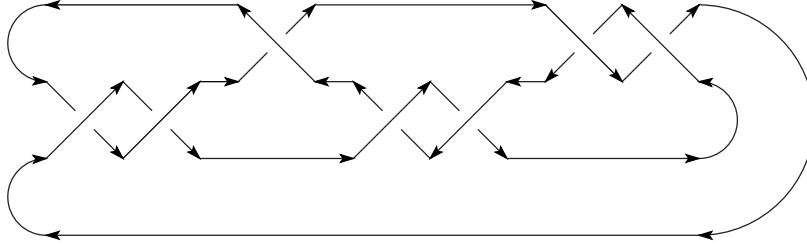
We list a few facts on two-bridge links.

- Proposition 4.1.**
- (1)  $K((q-p)/q)$  is the mirror image of  $K(p/q)$ .
  - (2)  $K(p/q)$  is a knot if  $q$  is odd and a 2-component link if  $q$  is even.
  - (3)  $K([a_1, a_2, \dots, a_n])$  and  $K([a_1, a_2, \dots, a_n - 1, 1])$  are equivalent.

**Example 4.2.** The two-bridge link  $K(7/19) = K([2, 1, 2, 2])$  is shown in Figure 6.

4.2. **Orientation.** We say that a link is *oriented* if each component of the link has been given an orientation. For an oriented link, we define a sign on each crossing as

$$\text{a sign on } \begin{array}{c} \nearrow \\ \searrow \end{array} \text{ is } +1 \text{ and a sign on } \begin{array}{c} \searrow \\ \nearrow \end{array} \text{ is } -1.$$

FIGURE 6. The link diagram of the two-bridge knot  $K(7/19)$ .FIGURE 7. The link diagram of the oriented two-bridge knot  $K(7/19)$ . The sign of 2-strand braid corresponding to  $-a_1$  is  $-1$ ,  $a_2$  is  $-1$ ,  $-a_3$  is  $+1$  and  $a_4$  is  $-1$ 

We fix orientations of two-bridge links throughout this paper as follows: the orientation on the leftmost crossing in the 2-strand braid corresponding to  $-a_1$  is  $\begin{array}{c} \nearrow \\ \searrow \end{array}$  if the two-bridge link is a knot and  $\begin{array}{c} \nearrow \\ \searrow \end{array}$  if the two-bridge link is a 2-component link. From now on,  $K([a_1, a_2, \dots, a_n])$  and  $K(p/q)$  denote the two-bridge link oriented as above. The crossings in each 2-strand braid have the same sign. We define the sign of 2-strand braid to be the sign of a crossing in it.

**Example 4.3.** The oriented two-bridge link  $K(7/19)$  is shown in Figure 7.

We will show the theorem to compute signs of 2-strand braids using the corresponding ancestral triangle. To state the theorem, we define the *Seifert path* which uniquely exists in each ancestral triangle. We write  $a/b \equiv c/d \pmod 2$  if  $a \equiv c \pmod 2$  and  $b \equiv d \pmod 2$ . We take the  $\pmod 2$  values in all labels  $r/s$  of  $A(p/q)$ . Therefore three vertices of each triangle are labeled  $0/1$ ,  $1/1$ , and  $1/0$ . The Seifert path is a path in  $A(p/q)$  which satisfies following conditions:

- (1) It does not go along two sides of the same triangle.
- (2) If  $p/q \equiv 1/1 \pmod 2$ , then the path use only edges whose one endpoint is  $1/1$  and the other is  $1/0$ . Otherwise the path use only edges whose one endpoint is  $0/1$  and the other is  $1/0$ .

It is clear that all triangles in  $\Delta_i$  are on the right side or the left side of the Seifert path because of the condition (1).

*Remark 3.* In [HO], paths satisfying condition (1) are called edgepaths. Hatcher and Oertel showed that edgepaths correspond to essential surfaces of  $K(p/q)$ . The Seifert path corresponds to Seifert surface.

**Theorem 4.4.** For  $A(p/q)$ , we define  $t_i$  by following recursion:

$$t_1 = \begin{cases} +1 & \text{if } p/q \equiv 1/0 \text{ or } 0/1 \pmod{2}; \\ -1 & \text{if } p/q \equiv 1/1 \pmod{2}. \end{cases}$$

$$t_i = \begin{cases} -t_{i-1} & \text{if the bottom edge of } \Delta_i \text{ is in the Seifert path;} \\ t_{i-1} & \text{otherwise.} \end{cases}$$

Then, the sign of  $i$ -th 2-strand braid in  $K(p/q)$  is  $t_i$ .

*Proof.* Throughout the proof,  $t_i^{(p/q)}$  denotes  $t_i$  determined according to  $A(p/q)$  and  $\epsilon_i^{(p/q)}$  denotes the sign of  $i$ -th 2-strand braid in  $K(p/q)$ .

Assume that  $p/q = [a_1, a_2, \dots, a_n]$  and  $a_i \geq 3$  for some  $i$ . Let  $r/s = [a_1, \dots, a_{i-1}, a_i - 2, a_{i+1}, \dots, a_n]$ . Both of  $\Delta_k$  of  $A(p/q)$  and  $\Delta_k$  of  $A(r/s)$  are on the left side or right side of each Seifert path for all  $k$  because of the condition (1) of the Seifert path. Thus we have  $t_k^{(p/q)} = t_k^{(r/s)}$  for all  $k$ . On the other hand, since  $K(r/s)$  is obtained by crossing change at the rightmost crossing in  $i$ -th 2-strand braid of  $K(p/q)$ , we have  $\epsilon_k^{(p/q)} = \epsilon_k^{(r/s)}$ . Therefore it is sufficient to prove the theorem when  $a_i = 1$  or 2 for all  $i$ .

At first we prove the theorem for  $p/q \equiv 1/1$  or  $0/1$  by induction on the length of continued fraction expansion. We also prove the following formula:

$$(10) \quad t_n = \begin{cases} 1 & \text{if the left vertex of the top triangle is labeled } 1/0 \text{ modulo } 2; \\ -1 & \text{if the right vertex of the top triangle is labeled } 1/0 \text{ modulo } 2. \end{cases}$$

If  $n = 1$ , then  $a_1 = 1$  because  $[a_1] = 1/a_1 \equiv 1/1 \pmod{2}$  and we have  $t_1^{(1/1)} = -1$ . Since  $K(1/1)$  is a knot, we have  $\epsilon_1^{(1/1)} = -1$  by definition.

If  $n = 2$ , then since  $[a_1, a_2] = a_2/(a_1 a_2 + 1) \equiv 1/1$  or  $0/1 \pmod{2}$ , at least one of  $a_1$  and  $a_2$  is even. Therefore we need only consider three cases:  $p/q = [2, 2]$ ,  $[2, 1]$ , or  $[1, 2]$ . In the case when  $p/q = [2, 1]$ , it is proved above because  $[2, 1] = [3]$ . If  $p/q = [2, 2]$  or  $[1, 2]$ , then  $A(p/q)$  and  $K(p/q)$  is shown in Figure 8. According to that, we have  $t_1^{([2,2])} = -1$ ,  $t_2^{([2,2])} = +1$ ,  $t_1^{([1,2])} = t_2^{([1,2])} = -1$ ,  $\epsilon_1^{([2,2])} = -1$ ,  $\epsilon_2^{([2,2])} = +1$ , and  $\epsilon_1^{([1,2])} = \epsilon_2^{([1,2])} = -1$ . Therefore the theorem and the formula hold.

Now suppose that  $n > 2$ . Since  $[a_1, a_2, \dots, a_n - 1, 1] = [a_1, a_2, \dots, a_n]$ , we need only consider the case when  $a_n = 2$ . Let  $\alpha = [a_1, a_2, \dots, a_n]$ ,  $\beta = [a_1, a_2, \dots, a_{n-1}]$ , and  $\gamma = [a_1, a_2, \dots, a_{n-2}]$ . Then, we have  $\alpha \equiv \gamma \pmod{2}$  and  $\alpha \not\equiv \beta \pmod{2}$ .

If  $n$  is odd and  $\beta \equiv 1/0$ , then  $A(\alpha)$ ,  $K(\gamma)$ , and  $K(\alpha)$  are shown in Figure 9. The Seifert path of  $A(\alpha)$  is obtained by adding two edge  $(\alpha, \beta)$  and  $(\beta, \gamma)$  to the Seifert path of  $A(\gamma)$ . Thus we have  $t_k^{(\alpha)} = t_k^{(\gamma)}$  for  $1 \leq k \leq n - 2$  and

$$t_{n-2}^{(\alpha)} = t_{n-1}^{(\alpha)} = -t_n^{(\alpha)} \quad \text{if } a_{n-1} \text{ is odd;} \\ t_{n-2}^{(\alpha)} = -t_{n-1}^{(\alpha)} = t_n^{(\alpha)} \quad \text{if } a_{n-1} \text{ is even.}$$

Since  $t_{n-2}^{(\gamma)} = t_{n-2}^{(\alpha)}$  is  $-1$  if  $a_{n-1}$  is odd and  $+1$  if  $a_{n-1}$  is even by (10), we have

$$t_{n-2}^{(\alpha)} = -1, \quad t_{n-1}^{(\alpha)} = -1, \quad t_n^{(\alpha)} = +1 \quad \text{if } a_{n-1} \text{ is odd;} \\ t_{n-2}^{(\alpha)} = +1, \quad t_{n-1}^{(\alpha)} = -1, \quad t_n^{(\alpha)} = +1 \quad \text{if } a_{n-1} \text{ is even}$$

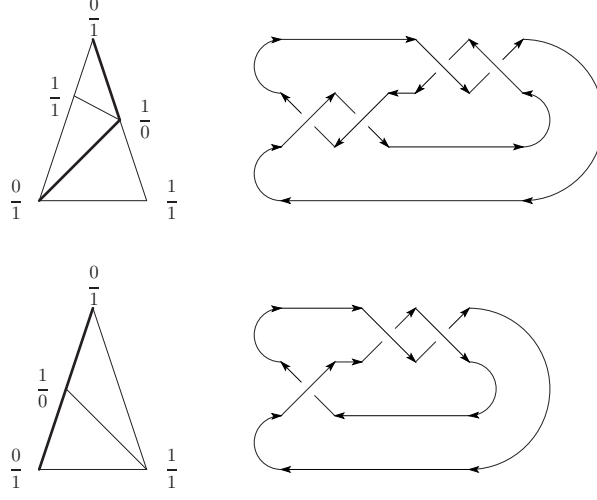


FIGURE 8.  $A(p/q)$  and  $K(p/q)$ ;  $p/q = [2, 2]$  on the top;  $p/q = [1, 2]$  on the bottom; Each label is replaced by its modulo 2. The bold line in each  $A(\alpha)$  represents the Seifert path.

and (10) holds because the vertex labeled  $1/0$  is on the left of the top triangle of  $A(\alpha)$ . On the other hand, by induction and (10), the sign of the rightmost crossing of  $A(\gamma)$  is  $-1$  if  $a_{n-1}$  is odd and  $+1$  if  $a_{n-1}$  is even. Then, the rightmost crossing is  $\nearrow \searrow$  or  $\swarrow \nwarrow$  if  $a_{n-1}$  is odd and  $\swarrow \nwarrow$  or  $\searrow \nearrow$  if  $a_{n-1}$  is even. Since the sign of each crossing does not depend on orientation, reversing orientation if necessary, without loss of generality we can assume the rightmost crossing is  $\swarrow \nwarrow$  if  $a_{n-1}$  is odd and  $\searrow \nearrow$  if  $a_{n-1}$  is even. According to Figure 9, the common parts of  $K(\gamma)$  and  $K(\alpha)$  have same orientation. Thus, we have  $\epsilon_k^{(\alpha)} = \epsilon_k^{(\gamma)}$  for  $1 \leq k \leq n-2$  and

$$\begin{aligned} \epsilon_{n-1}^{(\alpha)} &= -1 & \epsilon_n^{(\alpha)} &= +1 & \text{if } a_{n-1} \text{ is odd;} \\ \epsilon_{n-1}^{(\alpha)} &= -1 & \epsilon_n^{(\alpha)} &= +1 & \text{if } a_{n-1} \text{ is even.} \end{aligned}$$

Therefore the theorem holds.

If  $n$  is odd and  $\beta \not\equiv 1/0$ , then  $A(\alpha)$ ,  $K(\gamma)$ , and  $K(\alpha)$  are shown in Figure 10. In the same manner we can see

$$\begin{aligned} t_{n-2}^{(\gamma)} &= t_{n-2}^{(\alpha)} = +1, & t_{n-1}^{(\alpha)} &= -1, & t_n^{(\alpha)} &= -1 & \text{if } a_{n-1} \text{ is odd;} \\ t_{n-2}^{(\gamma)} &= t_{n-2}^{(\alpha)} = -1, & t_{n-1}^{(\alpha)} &= -1, & t_n^{(\alpha)} &= -1 & \text{if } a_{n-1} \text{ is even,} \end{aligned}$$

$$\begin{aligned} \epsilon_{n-2}^{(\gamma)} &= \epsilon_{n-2}^{(\alpha)} = +1 & \epsilon_{n-1}^{(\alpha)} &= -1 & \epsilon_n^{(\alpha)} &= -1 & \text{if } a_{n-1} \text{ is odd;} \\ \epsilon_{n-2}^{(\gamma)} &= \epsilon_{n-1}^{(\alpha)} = -1 & \epsilon_{n-1}^{(\alpha)} &= -1 & \epsilon_n^{(\alpha)} &= -1 & \text{if } a_{n-1} \text{ is even.} \end{aligned}$$



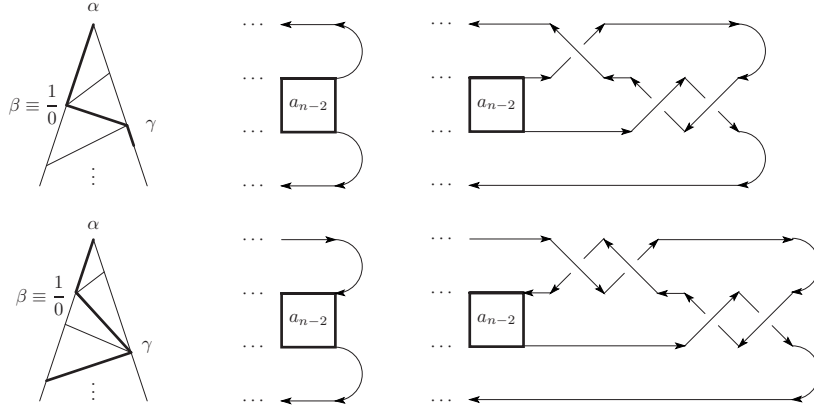


FIGURE 9.  $A(\alpha)$ ,  $K(\gamma)$ , and  $K(\alpha)$  when  $n$  is odd and  $\beta \equiv 1/0$ ;  $a_{n-1}$  is odd on the top;  $a_{n-1}$  is even on the bottom; The bold line in each  $A(\alpha)$  is a part of the Seifert path.

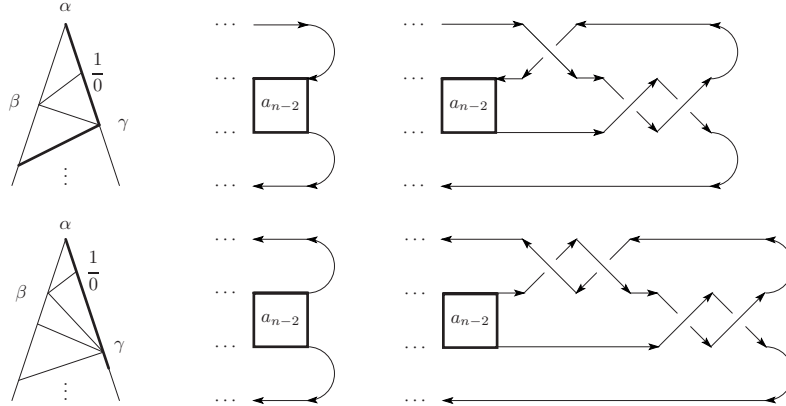


FIGURE 10.  $A(\alpha)$ ,  $K(\gamma)$ , and  $K(\alpha)$  when  $n$  is odd and  $\beta \not\equiv 1/0$ ;  $a_{n-1}$  is odd on the top;  $a_{n-1}$  is even on the bottom; The bold line in each  $A(\alpha)$  is a part of the Seifert path.

If  $n$  is even and  $\beta \equiv 1/0$ , then  $A(\alpha)$ ,  $K(\gamma)$ , and  $K(\alpha)$  are shown in Figure 11. By the same way as above, we have  $t_k^{(\alpha)} = t_k^{(\gamma)}$  for  $1 \leq k \leq n-2$  and

$$\begin{aligned} t_{n-2}^{(\gamma)} = t_{n-2}^{(\alpha)} = +1, \quad t_{n-1}^{(\alpha)} = +1, \quad t_n^{(\alpha)} = -1 \quad &\text{if } a_{n-1} \text{ is odd;} \\ t_{n-2}^{(\gamma)} = t_{n-2}^{(\alpha)} = -1, \quad t_{n-1}^{(\alpha)} = +1, \quad t_n^{(\alpha)} = -1 \quad &\text{if } a_{n-1} \text{ is even.} \end{aligned}$$

On the other hand, the sign of the rightmost crossing of  $A(\gamma)$  is  $+1$  if  $a_{n-1}$  is odd and  $-1$  if  $a_{n-1}$  is even by (10). Without loss of generality we can assume the rightmost crossing is  $\swarrow \searrow$  if  $a_{n-1}$  is odd and  $\searrow \swarrow$  if  $a_{n-1}$  is even. According to Figure 11, the common parts of  $K(\gamma)$  and  $K(\alpha)$  have same orientation. Thus we

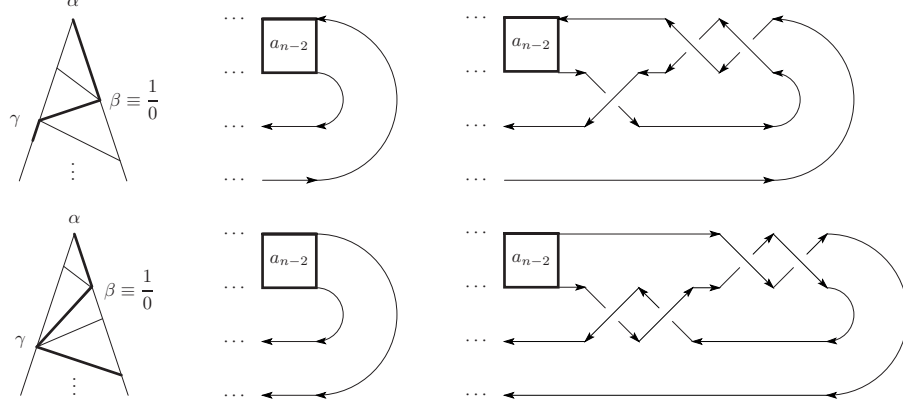


FIGURE 11.  $A(\alpha)$ ,  $K(\gamma)$ , and  $K(\alpha)$  when  $n$  is even and  $\beta \equiv 1/0$ ;  $a_{n-1}$  is odd on the top;  $a_{n-1}$  is even on the bottom; The bold line in each  $A(\alpha)$  is a part of the Seifert path.

have  $\epsilon_k^{(\alpha)} = \epsilon_k^{(\gamma)}$  for  $1 \leq k \leq n-2$  and

$$\begin{aligned} \epsilon_{n-1}^{(\alpha)} = +1 \quad \epsilon_n^{(\alpha)} = -1 & \quad \text{if } a_{n-1} \text{ is odd;} \\ \epsilon_{n-1}^{(\alpha)} = +1 \quad \epsilon_n^{(\alpha)} = -1 & \quad \text{if } a_{n-1} \text{ is even.} \end{aligned}$$

Therefore the theorem and (10) holds.

If  $n$  is even and  $\beta \not\equiv 1/0$ , then  $A(\alpha)$ ,  $K(\gamma)$ , and  $K(\alpha)$  are shown in Figure 12. In the same manner we can show that

$$\begin{aligned} t_{n-2}^{(\gamma)} = t_{n-2}^{(\alpha)} = -1, \quad t_{n-1}^{(\alpha)} = +1, \quad t_n^{(\alpha)} = +1 & \quad \text{if } a_{n-1} \text{ is odd;} \\ t_{n-2}^{(\gamma)} = t_{n-2}^{(\alpha)} = +1, \quad t_{n-1}^{(\alpha)} = +1, \quad t_n^{(\alpha)} = +1 & \quad \text{if } a_{n-1} \text{ is even,} \end{aligned}$$

$$\begin{aligned} \epsilon_{n-2}^{(\gamma)} = \epsilon_{n-2}^{(\alpha)} = -1 \quad \epsilon_{n-1}^{(\alpha)} = +1 \quad \epsilon_n^{(\alpha)} = +1 & \quad \text{if } a_{n-1} \text{ is odd;} \\ \epsilon_{n-2}^{(\gamma)} = \epsilon_{n-2}^{(\alpha)} = +1 \quad \epsilon_{n-1}^{(\alpha)} = +1 \quad \epsilon_n^{(\alpha)} = +1 & \quad \text{if } a_{n-1} \text{ is even,} \end{aligned}$$

and the proof when  $p/q \equiv 1/1$  or  $0/1 \pmod{2}$  is complete.

Then, we prove the theorem for  $p/q \equiv 1/0 \pmod{2}$  by induction on the length of continued fraction expansion. If  $n = 1$ , then  $p/q = [2]$  and the theorem holds by definition. If  $n = 2$ , then  $p/q = [1, 1] = [2]$ . Now suppose  $n > 2$ . Since  $[a_1, a_2, \dots, a_n - 1, 1] = [a_1, a_2, \dots, a_n]$ , we need only consider the case of  $a_n = 2$ . Let  $\beta = [a_1, a_2, \dots, a_{n-1}, 1]$  and  $\gamma = [a_1, a_2, \dots, a_{n-1}]$ . If  $\beta \equiv 0/1$ , then the Seifert path of  $A(p/q)$  is obtained by adding an edge  $(p/q, \beta)$  to that of  $A(\beta)$ . Thus we have  $t_k^{(p/q)} = t_k^{(\beta)}$  for  $1 \leq k \leq n-1$  and  $t_n^{(p/q)} = t_{n-1}^{(\beta)}$ . On the other hand, by (10), the rightmost crossing of  $K(\beta)$  is  $\nearrow \searrow$  or  $\nwarrow \swarrow$ . Since  $K(p/q)$  is obtained by adding one crossing to the rightmost 2-strand braid of  $K(\beta)$ , the rightmost crossing of  $K(p/q)$  is same as that of  $K(\beta)$ . Thus the orientation of  $K(p/q)$  other than the  $n$ -th 2-strand braid is same as that of  $K(\beta)$  and we have  $\epsilon_k^{(p/q)} = \epsilon_k^{(\beta)}$  for  $1 \leq k \leq n$ . Therefore the theorem holds. If  $\beta \not\equiv 1/0$ , then we have  $\gamma \equiv 1/0$ . The two edges from top of the Seifert path of  $A(p/q)$  are  $(p/q, \gamma)$  and  $(\gamma, [a_1, a_2, \dots, a_{n-2}])$ . Thus

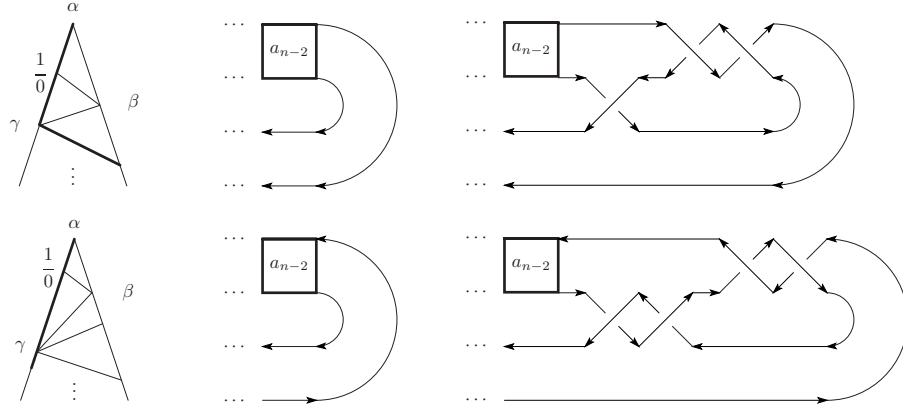


FIGURE 12.  $A(\alpha)$ ,  $K(\gamma)$ , and  $K(\alpha)$  when  $n$  is even and  $\beta \neq 1/0$ ;  $a_{n-1}$  is odd on the top;  $a_{n-1}$  is even on the bottom; The bold line in each  $A(\alpha)$  is a part of the Seifert path.

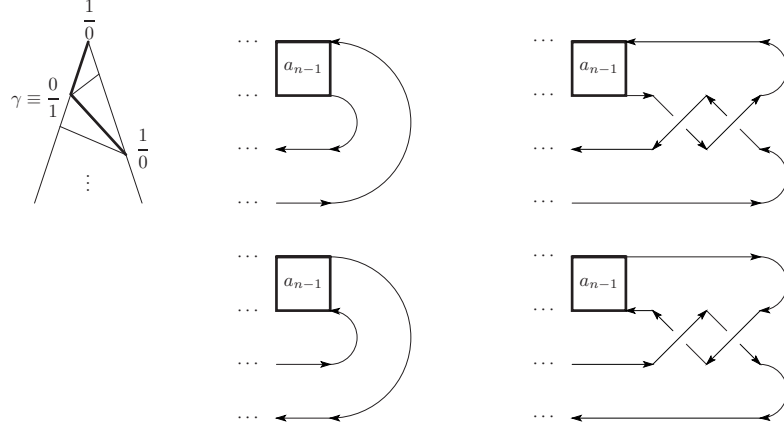


FIGURE 13.  $A(p/q)$ ,  $K(\gamma)$ , and  $K(p/q)$  when  $n$  is odd. The bold line in  $A(p/q)$  is a part of the Seifert path.

we have  $t_k^{(p/q)} = t_k^{(\gamma)}$  for  $1 \leq k \leq n-1$  and  $t_n^{(p/q)} = -t_{n-1}^{(\gamma)}$ . On the other hand, according to Figure 13, we have  $\epsilon_k^{(p/q)} = \epsilon_k^{(\gamma)}$  for  $1 \leq k \leq n-1$  and  $\epsilon_k^{(p/q)} = -\epsilon_k^{(\gamma)}$  if  $n$  is odd. Similarly, we have same equation if  $n$  is even. Therefore the theorem holds.  $\square$

**Corollary 4.5.** Let  $p/q = [a_1, a_2, \dots, a_n] \equiv 1/1$  or  $0/1 \pmod{2}$ . Then

$$t_n = \begin{cases} 1 & \text{if the left vertex of the top triangle is labeled } 1/0 \text{ modulo } 2; \\ -1 & \text{if the right vertex of the top triangle is labeled } 1/0 \text{ modulo } 2. \end{cases}$$

**Corollary 4.6.** If  $q$  is odd, then the sign of  $i$ -th 2-strand braid of  $K(p/q)$  and that of  $(i+1)$ -th 2-strand braid of  $K((q-p)/q)$  are different.

*Proof.* Since Proposition 2.2 and the definition of the Seifert path, the Seifert path of  $A((q-p)/q)$  is the mirror image of that of  $A(p/q)$ . Therefore  $t_i^{(p/q)}$ 's

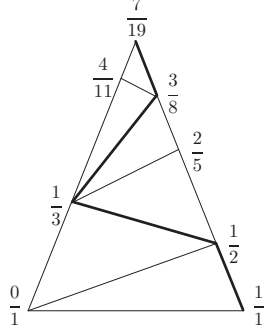
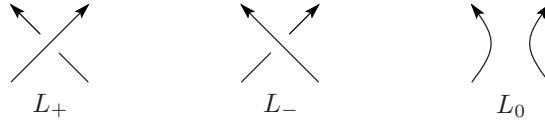
FIGURE 14.  $A(7/19)$  and its Seifert path (bold line).

FIGURE 15. Skein diagrams

and  $t_{i+1}^{((q-p)/q)}$ 's satisfy the same recursion. Since the initial values are different,  $t_i^{(p/q)}$  and  $t_{i+1}^{((q-p)/q)}$  are different.  $\square$

**Example 4.7.** The  $A(7/19)$  and its Seifert path is shown in Figure 14. According to that, we have  $t_2 = t_1$ ,  $t_3 = -t_2$ , and  $t_4 = -t_3$ . Since  $t_1 = -1$  by definition,  $t_1 = -1$ ,  $t_2 = -1$ ,  $t_3 = +1$ , and  $t_4 = -1$ . On the other hand, according to Figure 7, the sign of the first 2-strand braid of  $K(7/19)$  is  $-1$ , the second is  $-1$ , the third is  $+1$ , and the fourth is  $-1$ .

**4.3. Alexander polynomials.** We denote the Alexander polynomial of an oriented link  $L$  by  $\Delta_L(t)$ . Here we use the following normalization: if  $L$  is the unknot, then the Alexander polynomial  $\Delta_{\text{unknot}}(t)$  is 1. Alexander polynomials satisfy the following recursion called Skein relation:

$$(11) \quad \Delta_{L_+}(t) - \Delta_{L_-}(t) = (t^{1/2} - t^{-1/2})\Delta_{L_0}(t)$$

where  $L_+$ ,  $L_-$ , and  $L_0$  are oriented links which only differ in a ball as Figure 15.

For a knot  $K$ , it is known that Alexander polynomial is symmetric, namely  $\Delta_K(t) = \Delta_K(t^{-1})$ .

**Example 4.8.** Let  $\Delta_{\circ\circ}$  be the Alexander polynomial of two disjoint unknots. Skein diagrams of it is shown on the top of Figure 16. Since both of  $L_+$  and  $L_-$  are the unknots, we have

$$\Delta_{\circ\circ} = (\Delta_{\text{unknot}} - \Delta_{\text{unknot}})/(t^{1/2} - t^{-1/2}) = 0.$$

Let  $L$  be the 2-component link shown in the left on the middle of Figure 16. Since  $L_+$  is two disjoint unknots and  $L_0$  is the unknot, we have

$$\Delta_L = \Delta_{\circ\circ} - (t^{1/2} - t^{-1/2})\Delta_{\text{unknot}} = t^{-1/2} - t^{1/2}.$$

Skein relation for  $K(3/5)$  is shown on the bottom of Figure 16. Since  $L_-$  is the unknot and  $L_0$  is  $L$ , we have

$$\Delta_{K(3/5)} = \Delta_{\text{unknot}} + (t^{1/2} - t^{-1/2})\Delta_L = 1 + (t^{1/2} - t^{-1/2})(t^{-1/2} - t^{1/2}) = -t^{-1} + 3 - t$$

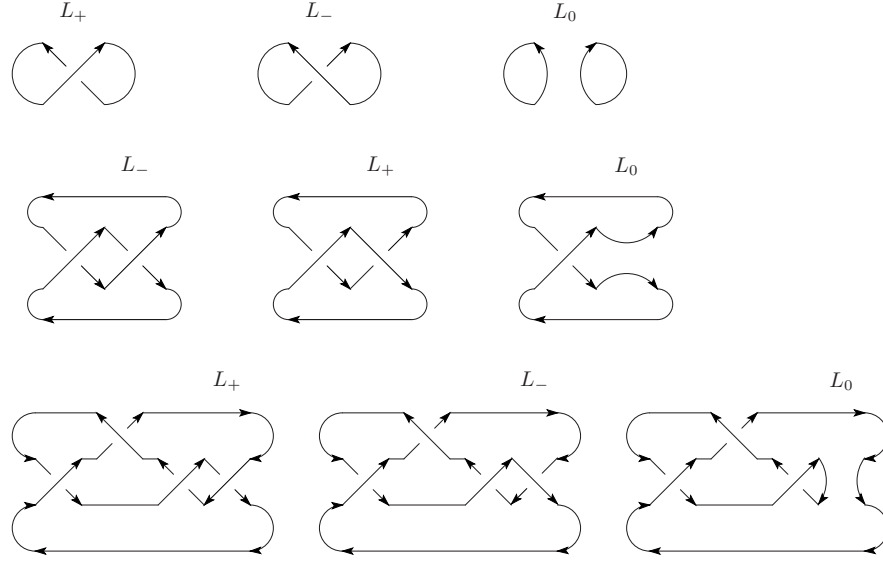


FIGURE 16. Skein diagrams for Example 4.8.

We denote the Alexander polynomial of  $K([a_1, a_2, \dots, a_n])$  by  $\Delta_{[a_1, a_2, \dots, a_n]}$ .

**Lemma 4.9.** If  $[a_1, a_2, \dots, a_n] \equiv 0/1$  or  $1/0$ , then  $\Delta_{[a_1, a_2, \dots, a_n]}$ 's satisfy the following recursions with the convention that  $[a_1, a_2, \dots, a_{n-1}, 0] = [a_1, a_2, \dots, a_{n-2}]$ ,  $\Delta_{\square} = 1$ , and  $\Delta_{[0]} = 0$ :

$$(12) \quad \Delta_{[a_1, a_2, \dots, a_{n-1}, 1]} = \Delta_{[a_1, a_2, \dots, a_n]};$$

and if  $a_n \geq 2$ , then  $\Delta_{[a_1, a_2, \dots, a_n]} =$

$$(13) \quad \begin{cases} \Delta_{[a_1, \dots, a_{n-2}]} + (t^{1/2} - t^{-1/2})\Delta_{[a_1, \dots, a_{n-1}]} & \text{if } n \text{ is odd and } t_n = +1; \\ \Delta_{[a_1, \dots, a_{n-2}]} - (t^{1/2} - t^{-1/2})\Delta_{[a_1, \dots, a_{n-1}]} & \text{if } n \text{ is odd and } t_n = -1; \\ \Delta_{[a_1, \dots, a_{n-2}]} + (t^{1/2} - t^{-1/2})\Delta_{[a_1, \dots, a_{n-1}]} & \text{if } n \text{ is even and } t_n = +1; \\ \Delta_{[a_1, \dots, a_{n-2}]} - (t^{1/2} - t^{-1/2})\Delta_{[a_1, \dots, a_{n-1}]} & \text{if } n \text{ is even and } t_n = -1. \end{cases}$$

*Proof.* (12) clearly holds because Alexander polynomial is a knot invariant. We only prove (13) when  $n$  is odd. When  $n$  is even, it is proved in the same way.

First, we show when  $a_n \geq 3$ . If  $t_n = +1$ , then the sign of the rightmost crossing of  $K([a_1, a_2, \dots, a_n])$  is  $+1$ . According to Figure 17, applying Skein relation  $\Delta_{L_+} = \Delta_{L_-} + (t^{1/2} - t^{-1/2})\Delta_{L_0}$  to the rightmost crossing yields the equation

$$\Delta_{[a_1, a_2, \dots, a_n]} = \Delta_{[a_1, a_2, \dots, a_{n-2}]} + (t^{1/2} - t^{-1/2})\Delta_{[a_1, a_2, \dots, a_{n-1}]}.$$

If  $t_n = -1$ , then applying Skein relation  $\Delta_{L_-} = \Delta_{L_+} - (t^{1/2} - t^{-1/2})\Delta_{L_0}$  to the rightmost crossing yields the equation

$$\Delta_{[a_1, a_2, \dots, a_n]} = \Delta_{[a_1, a_2, \dots, a_{n-2}]} - (t^{1/2} - t^{-1/2})\Delta_{[a_1, a_2, \dots, a_{n-1}]}.$$

Next we prove when  $a_n = 2$ . When we perform crossing changes at the rightmost crossing, the rightmost crossing and the crossing to the left disappear. Hence  $L_+$  or  $L_-$  has the form of the bottom of Figure 17. Since the  $(n-1)$ -th 2-strand braid become trivial, it is isotopic to  $K([a_1, a_2, \dots, a_{n-2}])$ .  $\square$

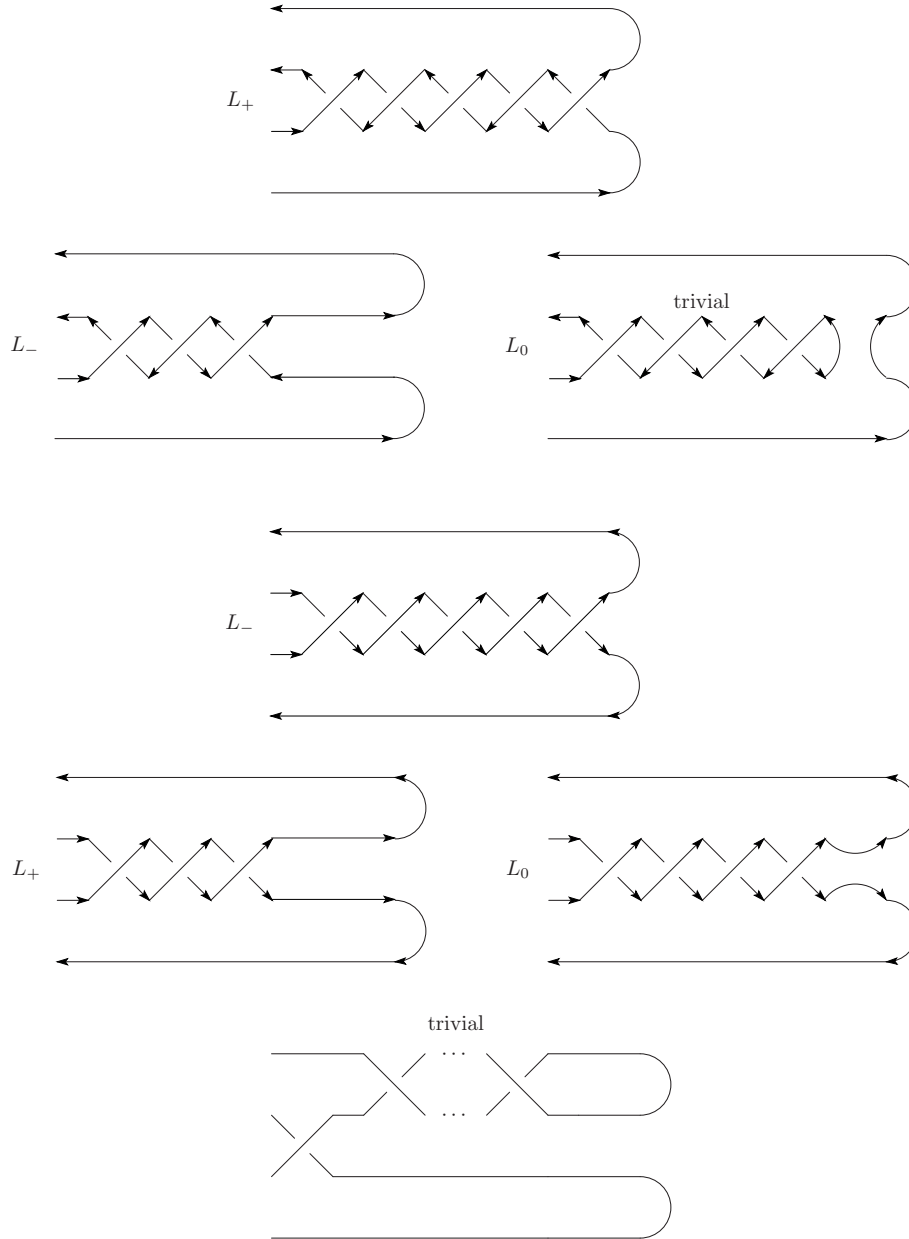


FIGURE 17. Proof of Lemma 4.9.  $t_n = +1$  on the top;  $t_n = -1$  on the middle; A diagram after applying the Skein relation when  $a_n = 2$  on the bottom.

**4.4. The main result.** Now we prepare to state the main theorem. Let  $p/q = [a_1, a_2, \dots, a_n]$  be a fraction. We denote the  $i$ -th triangle in  $\Delta_k$  from bottom by  $T_i^{(k)}$ , that is,  $T_i^{(k)}$  is  $T_i$  if  $k = 1$  and  $T_{l_{k-1}+i-1}$  if  $k > 1$ . We define a sign of each triangle  $T$  denoted by  $e(T)$  as follows:

- If the bottom edge of  $\Delta_k$  is in the Seifert path, then

$$e(T_i^{(k)}) = (-1)^i.$$

- If  $k$  is odd, then

$$e(T_i^{(k)}) = \begin{cases} +1 & \text{if } \Delta_k \text{ is on the left side of the Seifert path;} \\ (-1)^{i-1} & \text{if } \Delta_k \text{ is on the right side of the Seifert path.} \end{cases}$$

- If  $k$  is even, then

$$e(T_i^{(k)}) = \begin{cases} +1 & \text{if } \Delta_k \text{ is on the right side of the Seifert path;} \\ (-1)^{i-1} & \text{if } \Delta_k \text{ is on the left side of the Seifert path.} \end{cases}$$

We write  $e_i = e(T_i)$ . We specialize  $F$ -polynomial  $F_{[a_1, a_2, \dots, a_n]}$  by setting  $y_i = -t^{e_i}$  for all  $i$  and denote it by  $\mathcal{F}_{[a_1, a_2, \dots, a_n]}$ .

We are ready to state the main theorem.

**Theorem 4.10.** With the above notation

$$\Delta_{[a_1, a_2, \dots, a_n]} = \epsilon t^d \mathcal{F}_{[a_1, a_2, \dots, a_n]}$$

where

$$d = -\frac{1}{2} \sum_{k=1}^n d(k),$$

$$d(k) = \begin{cases} a_k - 1 & \text{if } k \text{ is odd and } t_k = -1 \text{ or } k \text{ is even and } t_k = +1; \\ t_k & \text{if the bottom edge of } \Delta_k \text{ is in the Seifert path;} \\ 1 & \text{otherwise,} \end{cases}$$

$$\epsilon = (-1)^{n + \sum_{i: \text{even}} a_i - pq}.$$

*Proof.* Throughout the proof,  $d_{[a_1, a_2, \dots, a_n]}$  and  $\epsilon_{[a_1, a_2, \dots, a_n]}$  denote  $d$  and  $\epsilon$  determined according to  $[a_1, a_2, \dots, a_n]$ . It is clear from definitions that  $d_{[a_1, a_2, \dots, a_n]} = d_{[a_1, a_2, \dots, a_n - 1, 1]}$  and  $\epsilon_{[a_1, a_2, \dots, a_n]} = \epsilon_{[a_1, a_2, \dots, a_n - 1, 1]}$ . First we prove this theorem when  $p/q \equiv 1/0$  or  $0/1$  by induction on  $n$  and  $a_n$ . Note that continued fractions which appear in recursions are equivalent to  $0/1$  or  $1/0$  and the Seifert path of  $A(r/s)$  is obtained by restricting that of  $A(p/q)$  if  $r/s$  is on the Seifert path of  $A(p/q)$ .

If  $n = 1$ , then  $a_1$  is even. It is easily seen that

$$\Delta_{[a_1]} = \frac{a_1}{2} (t^{1/2} - t^{-1/2}).$$

On the other hand, since the Seifert path goes along the left boundary edge, we have  $e_i = (-1)^{i-1}$  and  $d_{[a_1]} = -1/2$ . An easy computation shows that  $F_{[a_1]} = \sum_{k=0}^{a_1-1} \prod_{i=a_1-i}^{a_1-1} y_i$ . Therefore

$$\epsilon_{[a_1]} t^{d_{[a_1]}} \mathcal{F}_{[a_1]} = (-1)^1 t^{-1/2} \frac{a_1}{2} (1 - t) = \Delta_{[a_1]}$$

and the theorem holds.

Now we consider in the case when  $n = 2$ . If  $a_1$  is odd, then the Seifert path goes along the left boundary edges. Thus we have  $t_1 = t_2 = +1$  and Lemma 4.9 implies

$$\Delta_{[a_1, a_2]} = \begin{cases} \Delta_{[a_1, a_2-2]} + (t^{1/2} - t^{-1/2})\Delta_{[a_1, a_2-1]} & \text{if } a_2 \geq 3; \\ 1 + (t^{1/2} - t^{-1/2})\Delta_{[a_1, 1]} & \text{if } a_2 = 2; \\ \Delta_{[a_1+1]} & \text{if } a_2 = 1. \end{cases}$$

On the other hand, we have

$$e_i = \begin{cases} (-1)^{i-1} & \text{if } 1 \leq i \leq a_1 - 1; \\ +1 & \text{if } a_1 \leq i \end{cases}$$

and (2) and (8) in Corollary 3.7 yields

$$\mathcal{F}_{[a_1, a_2]} = \begin{cases} (1-t)\mathcal{F}_{[a_1, a_2-1]} + t\mathcal{F}_{[a_1, a_2-2]} & \text{if } a_2 \geq 3; \\ (1-t)\mathcal{F}_{[a_1, 1]} + t & \text{if } a_2 = 2; \\ \mathcal{F}_{[a_1+1]} & \text{if } a_2 = 1. \end{cases}$$

Suppose that  $a_2 = 1$ . By induction on  $n$ , we have  $\Delta_{a_1+1} = \epsilon_{[a_1+1]} t^{d_{[a_1+1]}} \mathcal{F}_{[a_1+1]}$ . Since recursions above, the theorem holds. Now suppose that  $a_2 = 2$ . Since  $d_{[a_1, 2]} = -1$ ,  $d_{[a_1, 1]} = -1/2$ ,  $\epsilon_{[a_1, 2]} = +1$ , and  $\epsilon_{[a_1, 1]} = -1$ , we get

$$\begin{aligned} \epsilon_{[a_1, 2]} t^{d_{[a_1, 2]}} \mathcal{F}_{[a_1, 2]} &= t^{-1}((1-t)\mathcal{F}_{[a_1, 1]} + t) \\ &= -t^{-1/2}(t^{1/2} - t^{-1/2})\mathcal{F}_{[a_1, 1]} + 1 \\ &= (t^{1/2} - t^{-1/2})\Delta_{[a_1, 1]} + 1 = \Delta_{[a_1, 2]}. \end{aligned}$$

Now suppose that  $a_2 \geq 3$ . To simplify notation, we write  $i$  instead of  $[a_1, a_2 - i]$  for  $i = 0, 1, 2$  in subscript. By induction on  $a_2$ , we have  $\epsilon_i t^{d_i} \mathcal{F}_i = \Delta_i$  for  $i = 1, 2$ . Since  $\epsilon_0 = -\epsilon_1 = \epsilon_2$  and  $d_0 = d_1 - 1/2 = d_2 - 1$ , we get

$$\begin{aligned} \epsilon_0 t^{d_0} \mathcal{F}_0 &= \epsilon_0 t_0^d ((1-t)\mathcal{F}_1 + t\mathcal{F}_2) \\ &= (t^{1/2} - t^{-1/2})\epsilon_1 t^{d_1} \mathcal{F}_1 + \epsilon_2 t^{d_2} \mathcal{F}_2 \\ &= (t^{1/2} - t^{-1/2})\Delta_1 + \Delta_2 \\ &= \Delta_0, \end{aligned}$$

and the theorem holds. We prove when  $a_1$  is even. Since  $p/q \equiv 1/0$  or  $0/1$ ,  $a_2$  is also even. Then we have  $t_1 = +1$  and  $t_2 = -1$  because the Seifert path is  $p/q \rightarrow 1/a_1 \rightarrow 0/1$ . Lemma 4.9 implies

$$\Delta_{[a_1, a_2]} = \begin{cases} \Delta_{[a_1, a_2-2]} - (t^{1/2} - t^{-1/2})\Delta_{[a_1]} & \text{if } a_2 \geq 4; \\ 1 - (t^{1/2} - t^{-1/2})\Delta_{[a_1]} & \text{if } a_2 = 2. \end{cases}$$

On the other hand, since the bottom edge of  $\Delta_2$  is in the Seifert path, we have

$$e_i = \begin{cases} (-1)^{i-1} & \text{if } 1 \leq i \leq a_1 - 1; \\ (-1)^{i-a_1-1} & \text{if } a_1 \leq i. \end{cases}$$

Thus (9) in Corollary 3.7 yields

$$\mathcal{F}_{[a_1, a_2]} = \begin{cases} -t^{-1}(1-t)\mathcal{F}_{[a_1]} + \mathcal{F}_{[a_1, a_2-2]} & \text{if } a_2 \geq 4; \\ -t^{-1}(1-t)\mathcal{F}_{[a_1]} + 1 & \text{if } a_2 = 2. \end{cases}$$



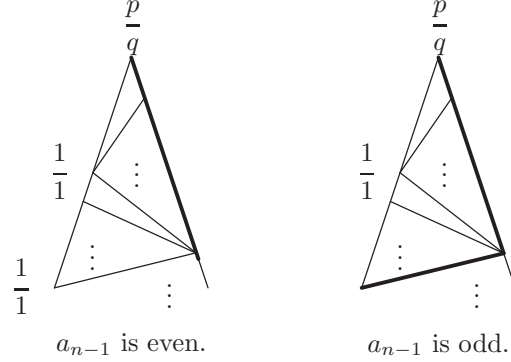


FIGURE 18. Proof when  $[a_1, a_2, \dots, a_{n-1}] \equiv 1/1$ . The bold line in each ancestral triangle represents its Seifert path.

Suppose that  $a_2 = 2$ . By induction on  $n$  and definition, we have  $\epsilon_{[a_1]} t^{d_{[a_1]}} \mathcal{F}_{[a_1]} = \Delta_{[a_1]}$ ,  $d_{[a_1, 2]} = 0$ ,  $d_{[a_1]} = -1/2$ ,  $\epsilon_{[a_1, 2]} = +1$ , and  $\epsilon_{[a_1]} = -1$ . Therefore

$$\epsilon_{[a_1, 2]} t^{d_{[a_1, 2]}} \mathcal{F}_{[a_1, 2]} = -t^{-1}(1-t) \mathcal{F}_{[a_1]} + 1 = 1 - (t^{1/2} - t^{-1/2}) \Delta_{[a_1]} = \Delta_{[a_1, 2]}$$

and the theorem holds. Now suppose that  $a_2 \geq 4$ . By induction and definition, we have  $\epsilon_{[a_1, a_2-2]} t^{d_{[a_1, a_2-2]}} \mathcal{F}_{[a_1, a_2-2]} = \Delta_{[a_1, a_2-2]}$ ,  $\epsilon_{[a_1]} t^{d_{[a_1]}} \mathcal{F}_{[a_1]} = \Delta_{[a_1]}$ ,  $d_{[a_1, a_2]} = d_{[a_1, a_2-2]} = d_{[a_1]} + 1/2$ , and  $\epsilon_{[a_1, a_2]} = \epsilon_{[a_1, a_2-2]} = -\epsilon_{[a_1]}$ . Therefore we get

$$\begin{aligned} \epsilon_{[a_1, a_2]} t^{d_{[a_1, a_2]}} \mathcal{F}_{[a_1, a_2]} &= \epsilon_{[a_1, a_2]} t^{d_{[a_1, a_2]}} (-t^{-1}(1-t) \mathcal{F}_{[a_1]} + \mathcal{F}_{[a_1, a_2-2]}) \\ &= \epsilon_{[a_1, a_2]} t^{d_{[a_1, a_2]} - 1/2} (t^{1/2} - t^{-1/2}) \mathcal{F}_{[a_1]} + \epsilon_{[a_1, a_2-2]} t^{d_{[a_1, a_2-2]}} \mathcal{F}_{[a_1, a_2-2]} \\ &= \Delta_{[a_1, a_2-2]} - \Delta_{[a_1]} = \Delta_{[a_1, a_2]} \end{aligned}$$

and the proof when  $n = 2$  is complete.

Now suppose that  $n \geq 3$ . By induction on  $n$ , we may assume that

$$\epsilon_{[a_1, a_2, \dots, a_m]} t^{d_{[a_1, a_2, \dots, a_m]}} \mathcal{F}_{[a_1, a_2, \dots, a_m]} = \Delta_{[a_1, a_2, \dots, a_m]}$$

for all  $m < n$ .

If  $n$  is odd and  $[a_1, a_2, \dots, a_{n-1}] \equiv 1/1$ , then  $[a_1, a_2, \dots, a_n] \equiv 0/1$  or  $[a_1, a_2, \dots, a_n + 1] \equiv 0/1$ . Thus we have  $t_n = -1$  because of Corollary 4.5. According to Figure 18, the Seifert path goes the right boundary edges of  $\Delta_n$  and we have  $e(T_i^{(n)}) = +1$ .

Now suppose that  $a_n = 1$ . If  $a_{n-1}$  is even, then the bottom edge of  $\Delta_{n-1}$  is not in the Seifert path. Therefore we have  $e(T_i^{(n-1)}) = (-1)^{i-1}$  and  $e(T_1^{(n)}) = +1$ . Since  $e(T_{a_{n-1}+1}^{(n-1)}) = +1$ , we have  $\mathcal{F}_{[a_1, a_2, \dots, a_{n-1}+1]} = \mathcal{F}_{[a_1, a_2, \dots, a_{n-1}, 1]}$ . Therefore we get

$$\begin{aligned} \Delta_{[a_1, a_2, \dots, a_{n-1}, 1]} &= \Delta_{[a_1, a_2, \dots, a_{n-1}+1]} \\ &= \epsilon_{[a_1, a_2, \dots, a_{n-1}+1]} t^{d_{[a_1, a_2, \dots, a_{n-1}+1]}} \mathcal{F}_{[a_1, a_2, \dots, a_{n-1}+1]} \\ &= \epsilon_{[a_1, a_2, \dots, a_{n-1}, 1]} t^{d_{[a_1, a_2, \dots, a_{n-1}, 1]}} \mathcal{F}_{[a_1, a_2, \dots, a_{n-1}, 1]}. \end{aligned}$$

If  $a_{n-1}$  is odd, then the bottom edge of  $\Delta_{n-1}$  is in the Seifert path. Therefore we have  $e(T_i^{(n-1)}) = (-1)^i$  and  $e(T_1^{(n)}) = +1$ . In the same way, we get  $\Delta_{[a_1, a_2, \dots, a_{n-1}, 1]} = \epsilon_{[a_1, a_2, \dots, a_{n-1}, 1]} t^{d_{[a_1, a_2, \dots, a_{n-1}, 1]}} \mathcal{F}_{[a_1, a_2, \dots, a_{n-1}, 1]}$ .

Now suppose that  $a_n = 2$ . By (4) in Corollary 3.7 and Lemma 4.9, we have

$$\begin{aligned}\mathcal{F}_{[a_1, a_2, \dots, a_{n-1}, 2]} &= \begin{cases} (1-t)\mathcal{F}_{[a_1, a_2, \dots, a_{n-1}, 1]} + t\mathcal{F}_{[a_1, a_2, \dots, a_{n-2}]} & \text{if } a_{n-1} \text{ is even;} \\ (1-t)\mathcal{F}_{[a_1, a_2, \dots, a_{n-1}, 1]} - \mathcal{F}_{[a_1, a_2, \dots, a_{n-2}]} & \text{if } a_{n-1} \text{ is odd;} \end{cases} \\ \Delta_{[a_1, a_2, \dots, a_{n-1}, 2]} &= \Delta_{[a_1, a_2, \dots, a_{n-2}]} - (t^{1/2} - t^{-1/2})\Delta_{[a_1, a_2, \dots, a_{n-1}, 1]}.\end{aligned}$$

To simplify notation, we write 0 instead of  $[a_1, a_2, \dots, a_{n-1}, 2]$ , 1 instead of  $[a_1, a_2, \dots, a_{n-1}, 1]$ , and 2 instead of  $[a_1, a_2, \dots, a_{n-2}]$  in subscript. We have  $d_0 = d_1 - 1/2 = d_2 - 1$  and  $\epsilon_0 = \epsilon_1 = \epsilon_2$  if  $a_{n-1}$  is even and  $d_0 = d_1 - 1/2 = d_2$  and  $\epsilon_0 = \epsilon_1 = -\epsilon_2$  if  $a_{n-1}$  is odd. Therefore

$$\begin{aligned}\epsilon_0 t^{d_0} \mathcal{F}_0 &= \begin{cases} \epsilon_0 t^{d_0} (1-t)\mathcal{F}_1 + \epsilon_0 t^{d_0} t\mathcal{F}_2 & \text{if } a_{n-1} \text{ is even;} \\ \epsilon_0 t^{d_0} (1-t)\mathcal{F}_1 - \epsilon_0 t^{d_0} \mathcal{F}_2 & \text{if } a_{n-1} \text{ is odd;} \end{cases} \\ &= \begin{cases} -\epsilon_1 t^{d_1} (t^{1/2} - t^{-1/2})\mathcal{F}_1 + \epsilon_2 t^{d_2} \mathcal{F}_2 & \text{if } a_{n-1} \text{ is even;} \\ -\epsilon_1 t^{d_1} (t^{1/2} - t^{-1/2})\mathcal{F}_1 + \epsilon_2 t^{d_2} \mathcal{F}_2 & \text{if } a_{n-1} \text{ is odd;} \end{cases} \\ &= -(t^{1/2} - t^{-1/2})\Delta_1 + \Delta_2 \\ &= \Delta_0\end{aligned}$$

and the theorem holds.

Now suppose that  $a_n \geq 3$ . To simplify notation, we write  $i$  instead of  $[a_1, a_2 - i]$  for  $i = 0, 1, 2$  in subscript. By induction on  $a_n$ , (6), and Lemma 4.9, we have

$$\begin{aligned}\Delta_1 &= \epsilon_1 t^{d_1} \mathcal{F}_1, \\ \Delta_2 &= \epsilon_2 t^{d_2} \mathcal{F}_2, \\ \mathcal{F}_0 &= (1-t)\mathcal{F}_1 + t\mathcal{F}_2, \\ \Delta_0 &= \Delta_2 - (t^{1/2} - t^{-1/2})\Delta_1.\end{aligned}$$

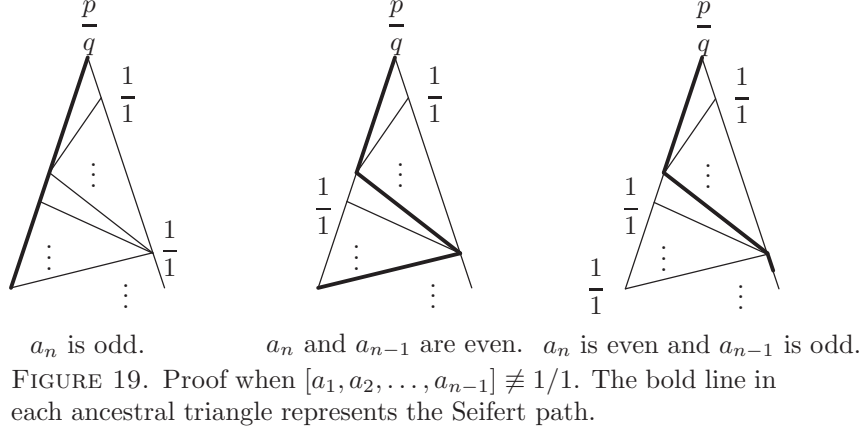
Since  $d_0 = d_1 - 1/2 = d_2 - 1$  and  $\epsilon_0 = \epsilon_1 = \epsilon_2$ , we get

$$\begin{aligned}\epsilon_0 t^{d_0} \mathcal{F}_0 &= \epsilon_0 t^{d_0} ((1-t)\mathcal{F}_1 + t\mathcal{F}_2) \\ &= -\epsilon_1 t^{d_1} (t^{1/2} - t^{-1/2})\mathcal{F}_1 + \epsilon_2 t^{d_2} \mathcal{F}_2 \\ &= -(t^{1/2} - t^{-1/2})\Delta_1 + \Delta_2 \\ &= \Delta_0.\end{aligned}$$

If  $n$  is odd and  $[a_1, a_2, \dots, a_{n-1}] \not\equiv 1/1$ , then we have  $t_n = +1$  because of Corollary 4.5. According to Figure 19, we need to consider three cases.

When  $a_n$  is odd, both of  $\Delta_n$  and  $\Delta_{n-1}$  are on the right of the Seifert path. Thus we have  $e(T_i^{(n-1)}) = +1$  and  $e(T_i^{(n)}) = (-1)^{i-1}$ . If  $a_n = 1$ , then since  $e(T_{a_{n-1}+1}^{(n-1)}) = e(T_1^{(n)}) = +1$ , we get  $\mathcal{F}_{[a_1, a_2, \dots, a_{n-1}+1]} = \mathcal{F}_{[a_1, a_2, \dots, a_{n-1}, 1]}$  and the result follows. Now suppose that  $a_n \geq 3$ . To simplify notation, we write 0 instead of  $[a_1, a_2, \dots, a_n]$ , 1 instead of  $[a_1, a_2, \dots, a_{n-1}]$ , and 2 instead of  $[a_1, a_2, \dots, a_n - 2]$  in subscript. By induction on  $a_n$ , (7), and Lemma 4.9, we have

$$\begin{aligned}\Delta_2 &= \epsilon_2 t^{d_2} \mathcal{F}_2, \\ \mathcal{F}_0 &= (1-t)\mathcal{F}_1 + \mathcal{F}_2, \\ \Delta_0 &= \Delta_2 + (t^{1/2} - t^{-1/2})\Delta_1.\end{aligned}$$



Since  $d_0 = d_2 = d_1 - 1/2$  and  $\epsilon_0 = \epsilon_2 = -\epsilon_1$ , we get

$$\begin{aligned}
 \epsilon_0 t^{d_0} \mathcal{F}_0 &= \epsilon_0 t^{d_0} ((1-t)\mathcal{F}_1 + \mathcal{F}_2) \\
 &= \epsilon_1 t^{d_1} (t^{1/2} - t^{-1/2}) \mathcal{F}_1 + \epsilon_2 t^{d_2} \mathcal{F}_2 \\
 &= (t^{1/2} - t^{-1/2}) \Delta_1 + \Delta_2 = \Delta_0
 \end{aligned}$$

and the theorem holds.

When  $a_n$  and  $a_{n-1}$  are even, both of the bottom edge of  $\Delta_{n-1}$  and that of  $\Delta_n$  is in the Seifert path. Then we have  $e(T_i^{(n-1)}) = (-1)^i$  and  $e(T_i^{(n)}) = (-1)^i$ . Hence (4) yields

$$\mathcal{F}_{[a_1, a_2, \dots, a_{n-1}, 2]} = (1-t)\mathcal{F}_{[a_1, a_2, \dots, a_{n-1}]} + \mathcal{F}_{[a_1, a_2, \dots, a_{n-2}]}$$

and (7) yields

$$\mathcal{F}_{[a_1, a_2, \dots, a_n]} = (1-t)\mathcal{F}_{[a_1, a_2, \dots, a_{n-1}]} + \mathcal{F}_{[a_1, a_2, \dots, a_{n-2}]}$$

The first recursion is included by the second recursion with the convention that  $[a_1, a_2, \dots, a_{n-1}, 0] = [a_1, a_2, \dots, a_{n-2}]$ . On the other hand, by Lemma 4.9 we have

$$\Delta_{[a_1, a_2, \dots, a_n]} = (1-t)\Delta_{[a_1, a_2, \dots, a_{n-1}]} + \Delta_{[a_1, a_2, \dots, a_{n-2}]}$$

with the same convention. To simplify notation, we write 0 instead of  $[a_1, a_2, \dots, a_n]$ , 1 instead of  $[a_1, a_2, \dots, a_{n-1}]$ , and 2 instead of  $[a_1, a_2, \dots, a_{n-2}]$  in subscript. Since  $d_0 = d_1 - 1/2 = d_2$  and  $\epsilon_0 = -\epsilon_1 = \epsilon_2$ , we get

$$\begin{aligned}
 \epsilon_0 t^{d_0} \mathcal{F}_0 &= \epsilon_0 t^{d_0} ((1-t)\mathcal{F}_1 + \mathcal{F}_2) \\
 &= \epsilon_1 t^{d_1} (t^{1/2} - t^{-1/2}) \mathcal{F}_1 + \epsilon_2 t^{d_2} \mathcal{F}_2.
 \end{aligned}$$

Suppose that  $a_n = 2$ . Thus we have  $\Delta_i = \epsilon_i t^{d_i} \mathcal{F}_i$  for  $i = 1, 2$  by induction on  $n$  and we get  $\Delta_0 = \epsilon_0 t^{d_0} \mathcal{F}_0$ . Suppose that  $a_n \geq 4$ . Then we have  $\Delta_1 = \epsilon_1 t^{d_1} \mathcal{F}_1$  by induction on  $n$  and  $\Delta_2 = \epsilon_2 t^{d_2} \mathcal{F}_2$  by induction on  $a_n$ . Therefore  $\Delta_0 = \epsilon_0 t^{d_0} \mathcal{F}_0$  as required.

When  $a_n$  is even and  $a_{n-1}$  is odd, the bottom edge of  $\Delta_n$  is in the Seifert path and that of  $\Delta_{n-1}$  is not. Since  $\Delta_{n-1}$  is on the left side of the Seifert path, we have  $e(T_i^{(n-1)}) = (-1)^{i-1}$  and  $e(T_i^{(n)}) = (-1)^i$ . Suppose that  $a_n = 2$ . To simplify notation, we write 0 instead of  $[a_1, a_2, \dots, a_{n-1}, 2]$ , 1 instead of  $[a_1, a_2, \dots, a_{n-1}]$ ,

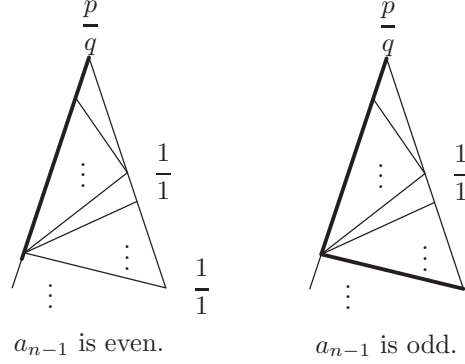


FIGURE 20. Proof when  $[a_1, a_2, \dots, a_{n-1}] \equiv 1/1$ . The bold line in each ancestral triangle represents its Seifert path.

and 2 instead of  $[a_1, a_2, \dots, a_{n-2}]$  in subscript. We have  $d_0 = d_1 - 1/2 = d_2 - 1$  and  $\epsilon_0 = -\epsilon_1 = -\epsilon_2$ . By (4) and Lemma 4.9, we have

$$\begin{aligned}\mathcal{F}_0 &= (1-t)\mathcal{F}_1 - t\mathcal{F}_2, \\ \Delta_0 &= \Delta_2 + (t^{1/2} - t^{-1/2})\Delta_1.\end{aligned}$$

Therefore we get

$$\begin{aligned}\epsilon_0 t^{d_0} \mathcal{F}_0 &= \epsilon_0 t^{d_0} ((1-t)\mathcal{F}_1 - t\mathcal{F}_2) \\ &= \epsilon_1 t^{d_1} (t^{1/2} - t^{-1/2})\mathcal{F}_1 - \epsilon_2 t^{d_2} \mathcal{F}_2 \\ &= (t^{1/2} - t^{-1/2})\Delta_1 + \Delta_2 \\ &= \Delta_0\end{aligned}$$

and the theorem holds. If  $a_n \geq 4$ , then the recursion is same as the case when both of  $a_n$  and  $a_{n-1}$  are even. Therefore the theorem also holds for  $a_n \geq 4$ .

The proof is complete when  $n$  is odd. We prove when  $n$  is even. If  $[a_1, a_2, \dots, a_{n-1}] \equiv 1/1$ , then either  $[a_1, a_2, \dots, a_n] \equiv 0/1$  or  $[a_1, a_2, \dots, a_n + 1] \equiv 0/1$  holds. Thus we have  $t_n = +1$  because of Corollary 4.5. According to Figure 20, the Seifert path goes the left boundary edges of  $\Delta_n$  and  $\Delta_n$  is on the right side of the Seifert path. Thus we have  $e(T_i^{(n)}) = +1$ .

Suppose that  $a_n = 1$ . According to Figure 20, the bottom edge is in the Seifert path if  $a_{n-1}$  is even and not if  $a_{n-1}$  is odd. Therefore we have

$$e(T_i^{(n-1)}) = \begin{cases} (-1)^{i-1} & \text{if } a_{n-1} \text{ is odd;} \\ (-1)^i & \text{if } a_{n-1} \text{ is even.} \end{cases}$$

In particular,  $e(T_{a_{n-1}+1}^{(n-1)})$  is  $+1$ . Therefore we have  $\mathcal{F}_{[a_1, a_2, \dots, a_{n-1}, 1]} = \mathcal{F}_{[a_1, a_2, \dots, a_{n-1}, 1]}$  and  $\Delta_{[a_1, a_2, \dots, a_{n-1}, 1]} = \Delta_{[a_1, a_2, \dots, a_{n-1}, 1]}$  follows.

Now suppose that  $a_n \geq 2$ . To simplify notation, we write 0 instead of  $[a_1, a_2, \dots, a_{n-1}, 2]$ , 1 instead of  $[a_1, a_2, \dots, a_n - 1]$ , and 2 instead of  $[a_1, a_2, \dots, a_n - 2]$  in subscript. It is easy to check that  $d_0 = d_1 - 1/2 = d_2 - 1$  and  $\epsilon_0 = -\epsilon_1 = \epsilon_2$  for  $a_n \geq 2$ . By

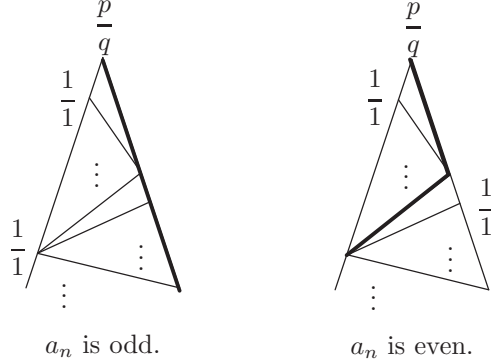


FIGURE 21. Proof when  $[a_1, a_2, \dots, a_{n-1}] \neq 1/1$ . The bold line in each ancestral triangle represents its Seifert path.

induction on  $a_n$ , (8), and Lemma 4.9, we have

$$\begin{aligned} \mathcal{F}_0 &= (1-t)\mathcal{F}_1 + t\mathcal{F}_2; \\ \Delta_0 &= \Delta_1 + (t^{1/2} - t^{-1/2})\Delta_2; \\ \Delta_1 &= \epsilon_1 t^{d_1} \mathcal{F}_1; \\ \Delta_2 &= \epsilon_2 t^{d_2} \mathcal{F}_2; \end{aligned}$$

with the convention that  $[a_1, a_2, \dots, a_{n-1}0] = [a_1, a_2, \dots, a_{n-2}]$ . Therefore we obtain

$$\begin{aligned} \epsilon_0 t^{d_0} \mathcal{F}_0 &= \epsilon_0 t^{d_0} ((1-t)\mathcal{F}_1 + t\mathcal{F}_2) \\ &= \epsilon_1 t^{d_1} (t^{1/2} - t^{-1/2})\mathcal{F}_1 + \epsilon_2 t^{d_2} \mathcal{F}_2 \\ &= (t^{1/2} - t^{-1/2})\Delta_1 + \Delta_2 \\ &= \Delta_0, \end{aligned}$$

and the theorem holds.

If  $[a_1, a_2, \dots, a_{n-1}] \neq 1/1$ , then we have  $t_n = -1$  by Corollary 4.5. According to Figure 21, we need to consider two cases.

If  $a_n$  is odd, then both of  $\Delta_n$  and  $\Delta_{n-1}$  are on left side of the Seifert path. Thus we have  $e(T_i^{(n-1)}) = (-1)^{i-1}$  and  $e(T_i^{(n)}) = +1$ . Suppose that  $a_n = 1$ . Since  $e(T_{a_{n-1}+1}^{(n-1)}) = +1$ , we get  $\mathcal{F}_{[a_1, a_2, \dots, a_{n-1}+1]} = \mathcal{F}_{[a_1, a_2, \dots, a_{n-1}, 1]}$  and  $\Delta_{[a_1, a_2, \dots, a_{n-1}, 1]} = \mathcal{F}_{[a_1, a_2, \dots, a_{n-1}, 1]}$  follows. Now Suppose that  $a_n \geq 3$ . To simplify notation, we write 0 instead of  $[a_1, a_2, \dots, a_n]$ , 1 instead of  $[a_1, a_2, \dots, a_{n-1}]$ , and 2 instead of  $[a_1, a_2, \dots, a_n - 2]$  in subscript. By induction on  $a_n$ , (9), and Lemma 4.9 we have

$$\begin{aligned} \Delta_0 &= \Delta_2 - (t^{1/2} - t^{-1/2})\Delta_1; \\ \mathcal{F}_0 &= \mathcal{F}_2 + (1-t)\mathcal{F}_1; \\ \Delta_2 &= \epsilon_2 t^{d_2} \mathcal{F}_2; \end{aligned}$$

and we have  $d_0 = d_1 - 1/2 = d_2$  and  $\epsilon_0 = \epsilon_1 = \epsilon_2$ . Therefore

$$\begin{aligned}\epsilon_0 t^{d_0} \mathcal{F}_0 &= \epsilon_0 t^{d_0} (\mathcal{F}_2 + (1-t)\mathcal{F}_1) \\ &= \epsilon_2 t^{d_2} \mathcal{F}_2 - \epsilon_1 t^{d_1} (t^{1/2} - t^{-1/2}) \mathcal{F}_1 \\ &= \Delta_2 - (t^{1/2} - t^{-1/2}) \Delta_1 = \Delta_0\end{aligned}$$

and the theorem holds.

If  $a_n$  is even, then we have  $e(T_i^{(n)}) = (-1)^i$ . To simplify notation, we write 0 instead of  $[a_1, a_2, \dots, a_n]$ , 1 instead of  $[a_1, a_2, \dots, a_{n-1}]$ , and 2 instead of  $[a_1, a_2, \dots, a_{n-2}]$  in subscript. By (9), and Lemma 4.9, we have

$$\begin{aligned}\mathcal{F}_0 &= (-t^{-1} + 1)\mathcal{F}_1 + \mathcal{F}_2; \\ \Delta_0 &= \Delta_2 - (t^{1/2} - t^{-1/2})\Delta_1;\end{aligned}$$

and we have  $d_0 = d_2 = d_1 + 1/2$  and  $\epsilon_0 = \epsilon_2 = -\epsilon_1$ . Therefore we get

$$\begin{aligned}\epsilon_0 t^{d_0} \mathcal{F}_0 &= \epsilon_0 t^{d_0} ((-t^{-1} + 1)\mathcal{F}_1 + \mathcal{F}_2) \\ &= -\epsilon_1 t^{d_1} (t^{1/2} - t^{-1/2}) \mathcal{F}_1 + \epsilon_2 t^{d_2} \mathcal{F}_2,\end{aligned}$$

and we can show that  $\Delta_0 = \epsilon_0 t^{d_0} \mathcal{F}_0$  in the same way when  $n$  is odd,  $[a_1, a_2, \dots, a_{n-1}] \not\equiv 1/1$ , and  $a_n$  and  $a_{n-1}$  are even. This completes the proof when  $n$  is even, and the proof when  $p/q \equiv 0/1$  or  $1/0$  is complete.

Next we prove when  $p/q \equiv 1/1$ . Since  $A((q-p)/q)$  is the mirror image of  $A(p/q)$  and  $\Delta_i$  in  $A(p/q)$  corresponds to  $\Delta_{i+1}$  in  $A((q-p)/q)$ ,  $e_i$  of  $A((q-p)/q)$  is equal to  $e_i$  of  $A(p/q)$ . Let  $N = \sum_{i=1}^n a_i - 1$  be the number of triangles and  $s_{p/q} = \sum_{i=1}^N e_i$  the sum of signs of triangles in  $A(p/q)$ .

We first prove following two equations:

$$(14) \quad d_{[1, a_1-1, a_2, \dots, a_n]} + d_{[a_1, a_2, \dots, a_n]} = -s_{p/q} = -s_{(q-p)/q},$$

$$(15) \quad \epsilon_{[1, a_1-1, a_2, \dots, a_n]} \epsilon_{[a_1, a_2, \dots, a_n]} = (-1)^N.$$

The proof of (14) is in the same way as above. Since either  $[a_1, a_2, \dots, a_n]$  or  $[1, a_1 - 1, a_2, \dots, a_n]$  is equivalent to  $0/1$ , it is sufficient to prove that (14) holds if  $p/q \equiv 1/0$  or  $0/1$ . We can show that (14) holds in each cases above. Therefore by induction on  $n$  and  $a_n$ , (14) holds.

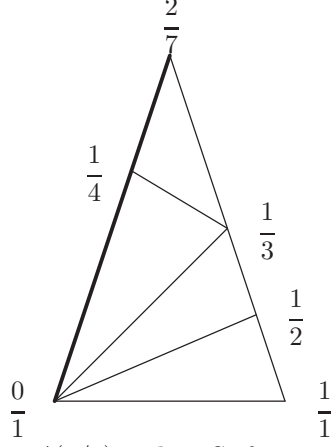
We prove (15). Since  $q$  is odd, we have

$$\begin{aligned}\epsilon_{[1, a_1-1, a_2, \dots, a_n]} \epsilon_{[a_1, a_2, \dots, a_n]} &= (-1)^{n+1+\sum_{i:\text{odd}} a_i - 1 - (q-p)q} (-1)^{n+\sum_{i:\text{even}} a_i - pq} \\ &= (-1)^{n+1+\sum_{i:\text{odd}} a_i - 1 - (q-p)q + n + \sum_{i:\text{even}} a_i - pq} \\ &= (-1)^{\sum_i a_i + 2n - q^2} \\ &= (-1)^{\sum_i a_i - 1} = (-1)^N.\end{aligned}$$

By Corollary 3.5, we have

$$\mathcal{F}_{[1, a_1-1, a_2, \dots, a_n]} = (-1)^N t^{s_{p/q}} \mathcal{F}_{[a_1, a_2, \dots, a_n]}(t^{-1}).$$

On the other hand, it is known that Alexander polynomial of a knot is equal to that of its mirror image. Since  $K((q-p)/q)$  is the mirror image of  $K(p/q)$ ,


 FIGURE 22.  $A(2/7)$  and its Seifert path.

we have  $\Delta_{(q-p)/q}(t) = \Delta_{p/q}(t)$ . By symmetry of Alexander polynomial, we have  $\Delta_{(q-p)/q}(t) = \Delta_{(q-p)/q}(t^{-1})$ . Therefore we get

$$\begin{aligned} \epsilon_{p/q} t^{d_{p/q}} \mathcal{F}_{p/q} &= \epsilon_{p/q} t^{d_{p/q}} (-1)^N t^{s_{p/q}} \mathcal{F}_{(q-p)/q}(t^{-1}) \\ &= \epsilon_{(q-p)/q} t^{-d_{(q-p)/q}} \mathcal{F}_{(q-p)/q}(t^{-1}) \\ &= \Delta_{(q-p)/q}(t^{-1}) \\ &= \Delta_{(q-p)/q}(t) = \Delta_{p/q}(t), \end{aligned}$$

which complete the proof.  $\square$

*Remark 4.* After finding the specialization of F-polynomial, it is possible to prove this theorem using another recurrence of Alexander polynomial such as [K] instead of the skein relation.

**Example 4.11.** The ancestral triangle of  $2/7 = [3, 2]$  is shown in Figure 22. Therefore  $\Delta_1$  consists of  $T_1$  and  $T_2$  and  $\Delta_2$  consists of  $T_3$  and  $T_4$ . By Theorem 3.3, we have

$$F_{2/7} = 1 + y_3 + y_2 y_3 + y_1 y_2 y_3 + y_3 y_4 + y_2 y_3 y_4 + y_1 y_2 y_3 y_4$$

Since the bottom edge of  $\Delta_1$  is not in the Seifert path and  $\Delta_1$  is on the right side of the Seifert path, we have

$$\begin{aligned} e(T_1^{(1)}) &= e(T_1) = +1; \\ e(T_2^{(1)}) &= e(T_2) = -1. \end{aligned}$$

Since the bottom edge of  $\Delta_2$  is not in the Seifert path and  $\Delta_2$  is on the right side of the Seifert path, we have

$$\begin{aligned} e(T_1^{(2)}) &= e(T_3) = +1; \\ e(T_2^{(2)}) &= e(T_4) = +1. \end{aligned}$$

Therefore by substituting  $-t$  for  $y_1$ ,  $-t^{-1}$  for  $y_2$ ,  $-t$  for  $y_3$  and  $-t$  for  $y_4$ , we get

$$\mathcal{F}_{2/7} = 1 - t + 1 - t + t^2 - t + t^2 = 2 - 3t + t^2.$$

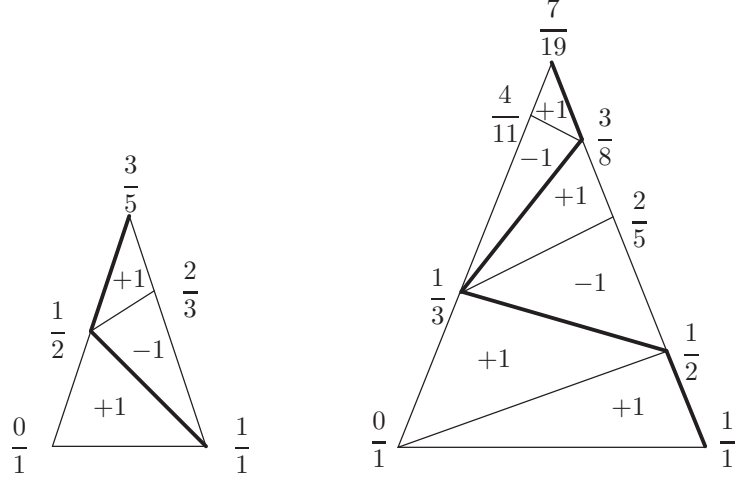


FIGURE 23.  $A(3/5)$  (left) and  $A(7/19)$  (right). The bold lines represent the Seifert paths. The number in each triangle is the sign of it.

Next we compute  $d$ . Since  $t_1 = +1$  and  $t_2 = t_1 = +1$  by definition, we have  $d(1) = 1$  and  $d(2) = 2 - 1 = 1$ . Therefore we get

$$d = -\frac{1}{2}(d(1) + d(2)) = -1$$

and

$$\epsilon t^d \mathcal{F}_{2/7} = (-1)^{2+2-2 \times 7} t^{-1} (2 - 3t + t^2) = 2t^{-1} - 3 + 2t.$$

On the other hand, it is known that the Alexander polynomial  $\Delta_{2/7} = 2t - 3 + 2t^{-1}$ .

**Example 4.12.** We compute the Alexander polynomial of  $K(3/5) = K([1, 1, 2])$ . By Example 3.1, we have

$$F_{3/5} = 1 + y_1 + y_3 + y_1 y_3 + y_1 y_2 y_3.$$

According to on the left of Figure 23,  $\mathcal{F}_{3/5}$  is obtained by substituting  $-t$  for  $y_1$ ,  $-t^{-1}$  for  $y_2$ , and  $-t$  for  $y_3$ , namely

$$\mathcal{F}_{3/5} = 1 - 3t + t^2.$$

Since  $t_1 = t_2 = -1$  and  $t_3 = +1$ , we have  $d(1) = 1 - 1 = 0$ ,  $d(2) = 1$ , and  $d(3) = t_3 = 1$ . Therefore we have  $d = -(0 + 1 + 1)/2 = -1$  and we get

$$\begin{aligned} \epsilon_{3/5} t^{d_{3/5}} \mathcal{F}_{3/5} &= (-1)^{3+1-3 \times 5} t^{-1} (1 - 3t + t^2) \\ &= -t^{-1} + 3 - t, \end{aligned}$$

which is equal to  $\Delta_{3/5}$  as we computed in Example 4.8.

**Example 4.13.** By Theorem 3.3, we have

$$\begin{aligned} F_{7/19} = & 1 + y_5 + y_2 + y_5 y_6 + y_4 y_5 + y_2 y_5 + y_1 y_2 + y_4 y_5 y_6 + y_2 y_5 y_6 + y_2 y_4 y_5 \\ & + y_1 y_2 y_5 + y_2 y_4 y_5 y_6 + y_1 y_2 y_5 y_6 + y_2 y_3 y_4 y_5 + y_1 y_2 y_4 y_5 + y_2 y_3 y_4 y_5 y_6 \\ & + y_1 y_2 y_4 y_5 y_6 + y_1 y_2 y_3 y_4 y_5 + y_1 y_2 y_3 y_4 y_5 y_6. \end{aligned}$$



According to Figure 23,  $\mathcal{F}_{7/19}$  is obtained by setting  $y_1 = y_2 = y_4 = y_6 = -t$  and  $y_3 = y_5 = -t^{-1}$ , then we get

$$\mathcal{F}_{7/19} = -t^{-1} + 5 - 7t + 5t^2 - t^3.$$

Since  $t_1 = t_2 = t_4 = -1$  and  $t_3 = +1$  by Example 4.7, we have  $d(1) = 2 - 1 = 1$ ,  $d(2) = 1$ ,  $d(3) = t_3 = +1$ , and  $d(4) = t_4 = -1$ . Therefore  $d = -(1 + 1 + 1 - 1)/2 = -1$  and we get

$$\begin{aligned} \epsilon_{7/19} t^{d_{7/19}} \mathcal{F}_{7/19} &= (-1)^{4+1+2-7 \times 19} t^{-1} (-t^{-1} + 5 - 7t + 5t^2 - t^3) \\ &= -t^{-2} + 5t^{-1} - 7 + 5t - t^2. \end{aligned}$$

On the other hand, since it is known that  $\Delta_{7/19} = -t^{-2} + 5t^{-1} - 7 + 5t - t^2$ , we have  $\epsilon_{7/19} t^{d_{7/19}} \mathcal{F}_{7/19} = \Delta_{7/19}$ .

#### REFERENCES

- [CS] İlke Çanakçı and R. Schiffler, *Cluster algebras and continued fractions. (English summary)*, Compos. Math. 154 (2018), no. 3, 565–593.
- [FZ1] S. Fomin and A. Zelevinsky, *Cluster algebras I: Foundations*, J. Amer. Math. Soc. 15 (2002), 497–529.
- [FZ4] S. Fomin and A. Zelevinsky, *Cluster algebras. IV. Coefficients*, Compos. Math. 143 (2007), no. 1, 112–164.
- [H] A. Hatcher, *Topology of numbers*, <https://pi.math.cornell.edu/~hatcher/TN/TNbook.pdf>
- [HO] A. Hatcher and U. Oertel, *Boundary slopes for Montesinos knots*, Topology 28 (1989), no. 4, 453–480.
- [HT] A. Hatcher and W. Thurston, *Incompressible surfaces in 2-bridge knot complements*, Invent. Math. 79 (1985), no. 2, 225–246.
- [K] T. Kanenobu, *Alexander polynomials of two-bridge links*, J. Austral. Math. Soc. Ser. A 36 (1984), no. 1, 59–68.
- [KW] T. Kogiso and M. Wakui, *A Bridge between Conway-Coxeter Friezes and Rational Tangles through the Kauffman Bracket Polynomials*, [arXiv:1806.04840](https://arxiv.org/abs/1806.04840)
- [LS] K. Lee and R. Schiffler, *Cluster algebras and Jones polynomials*, [arXiv:1710.08063](https://arxiv.org/abs/1710.08063).
- [MS] G. Musiker and R. Schiffler, *Cluster expansion formulas and perfect matchings (English summary)*, J. Algebraic Combin. 32 (2010), no. 2, 187–209.
- [Y] S. Yamada, *Jones polynomial of two-bridge knots (Ni-hashi musubime no Jones takoushiki)*, in Japanese, Proceedings of Musubime no shomondai to saikin no seika(1996), 92–96.

GRADUATE SCHOOL OF INFORMATION SCIENCE AND ENGINEERING, TOKYO INSTITUTE OF TECHNOLOGY, 2-12-1 OOKAYAMA, MEGURO-KU, TOKYO 152-8550, JAPAN.

*E-mail address:* [nagai.wataru.aa@gmail.com](mailto:nagai.wataru.aa@gmail.com)

GRADUATE SCHOOL OF SCIENCE, TOHOKU UNIVERSITY, 6-3, ARAMAKI AZA-AOBA, AOBA-KU, SENDAI 980-8578, JAPAN.

*E-mail address:* [yujiterashima@tohoku.ac.jp](mailto:yujiterashima@tohoku.ac.jp)