

Colouring Graphs of Bounded Diameter in the Absence of Small Cycles*

Barnaby Martin¹, Daniël Paulusma²^[0000-0001-5945-9287], and Siani Smith¹

Department of Computer Science, Durham University, UK
 {barnaby.d.martin,daniel.paulusma,siani.smith}@durham.ac.uk

Abstract. For $k \geq 1$, a k -colouring c of G is a mapping from $V(G)$ to $\{1, 2, \dots, k\}$ such that $c(u) \neq c(v)$ for any two non-adjacent vertices u and v . The k -COLOURING problem is to decide if a graph G has a k -colouring. For a family of graphs \mathcal{H} , a graph G is \mathcal{H} -free if G does not contain any graph from \mathcal{H} as an induced subgraph. Let C_s be the s -vertex cycle. In previous work (MFCS 2019) we examined the effect of bounding the diameter on the complexity of 3-COLOURING for (C_3, \dots, C_s) -free graphs and H -free graphs where H is some polyad. Here, we prove for certain small values of s that 3-COLOURING is polynomial-time solvable for C_s -free graphs of diameter 2 and (C_4, C_s) -free graphs of diameter 2. In fact, our results hold for the more general problem LIST 3-COLOURING. We complement these results with some hardness result for diameter 4.

1 Introduction

Graph colouring is a well-studied topic in Computer Science due to its wide range of applications. A k -colouring of a graph G is a mapping $c : V(G) \rightarrow \{1, \dots, k\}$ that assigns each vertex u a colour $c(u)$ in such a way that $c(u) \neq c(v)$ for any two adjacent vertices u and v of G . The aim is to find the smallest value of k (also called the *chromatic number*) such that G has a k -colouring. The corresponding decision problem is called COLOURING, or k -COLOURING if k is fixed, that is, not part of the input. As even 3-COLOURING is NP-complete [16], k -COLOURING and COLOURING have been studied for many special graph classes, as surveyed in, for example, [1,5,9,13,15,22,24,27]. This holds in particular for *hereditary* classes of graphs, which are the classes of graphs closed under vertex deletion.

It is well known and not difficult to see that a class of graphs is hereditary if and only if it can be characterized by a unique set \mathcal{F}_G of minimal forbidden induced subgraphs. In particular, a graph G is H -free for some graph H if G does not contain H as an *induced* subgraph. The latter means that we cannot modify G into H by a sequence of vertex deletions. For a set of graphs $\{H_1, \dots, H_p\}$, a graph G is (H_1, \dots, H_p) -free if G is H_i -free for every $i \in \{1, \dots, p\}$.

We continue a long-term study on the complexity of 3-COLOURING for special graph classes. Let C_t and P_t be the cycle and path, respectively, on t vertices.

* Research supported by the Leverhulme Trust (RPG-2016-258). An extended abstract [20] of the paper will appear in the proceedings of CIAC 2021.

The complexity of 3-COLOURING for H -free graphs has not yet been classified; in particular this is still open for P_t -free graphs for every $t \geq 8$, whereas the case $t = 7$ is polynomial [3]. For $t \geq 3$, let $C_{>t} = \{C_{t+1}, C_{t+2}, \dots\}$. Note that for $t \geq 2$, the class of P_t -free graphs is a subclass of $C_{>t}$ -free graphs. Recently, Pilipczuk, Pilipczuk and Rzażewski [23] gave for every $t \geq 3$, a quasi-polynomial-time algorithm for 3-COLOURING on $C_{>t}$ -free graphs. Rojas and Stein [25] proved in another recent paper that for every odd integer $t \geq 9$, 3-COLOURING is polynomial-time solvable for $(\mathcal{C}_{<t-3}^{odd}, P_t)$ -free graphs, where $\mathcal{C}_{<t}^{odd}$ is the set of all odd cycles on less than t vertices. This complements a result from [10], which implies that for every $t \geq 1$, 3-COLOURING, or more general LIST 3-COLOURING (defined later), is polynomial-time solvable for (C_4, P_t) -free graphs (see also [18]).

The graph classes in this paper are only partially characterized by forbidden induced subgraphs: we also restrict the diameter. The *distance* $\text{dist}(u, v)$ between two vertices u and v in a graph G is the length (number of edges) of a shortest path between them. The *diameter* of a graph G is the maximum distance over all pairs of vertices in G . Note that the n -vertex path P_n has diameter $n - 1$, but by removing an internal vertex the diameter becomes infinite. Hence, for every integer $d \geq 2$, the class of graphs of diameter at most d is not hereditary (whereas if $d = 1$ we obtain the class of complete graphs, which is hereditary).

For every $d \geq 3$, the 3-COLOURING problem for graphs of diameter at most d is NP-complete, as shown by Mertzios and Spirakis [21] who gave a highly non-trivial NP-hardness construction for the case where $d = 3$. In fact they proved that 3-COLOURING is NP-complete even for C_3 -free graphs of diameter 3 and radius 2. The complexity of 3-COLOURING for the class of all graphs of diameter 2 has been posed as an open problem in several papers [2,4,19,21,22].

On the positive side, Mertzios and Spirakis [21] gave a subexponential-time algorithm for 3-COLOURING on graphs of diameter 2. Moreover, as we discuss below, 3-COLOURING is polynomial-time solvable for several subclasses of diameter 2. In order to explain this, we need some terminology.

A graph G has an *articulation neighbourhood* if $G - (N(v) \cup \{v\})$ is disconnected for some $v \in V(G)$. The neighbourhoods $N(u)$ and $N(v)$ of two distinct (and non-adjacent) vertices u and v are *nested* if $N(u) \subseteq N(v)$. The graph $K_{1,r}$ denotes the $(r + 1)$ -vertex *star*, that is, the graph with vertices x, y_1, \dots, y_r and edges xy_i for $i = 1, \dots, r$. The *subdivision* of an edge uw in a graph removes uw and replaces it with a new vertex v and edges uv, vw . We let $K_{1,r}^\ell$ be the ℓ -*subdivided star*, which is obtained from $K_{1,r}$ by subdividing *one* edge exactly ℓ times. A *polyad* is a tree where exactly one vertex has degree at least 3. The graph $S_{h,i,j}$, for $1 \leq h \leq i \leq j$, is the tree with one vertex x of degree 3 and exactly three leaves, which are of distance h, i and j from x , respectively. Note that $S_{1,1,1} = K_{1,3}$. The *diamond* is obtained from the 4-vertex complete graph by deleting an edge.

The 3-COLOURING problem is polynomial-time solvable for:

- diamond-free graphs of diameter 2 with an articulation neighbourhood but without nested neighbourhoods [21];
- (C_3, C_4) -free graphs of diameter 2 [19];

- $K_{1,r}^2$ -free graphs of diameter 2, for every $r \geq 1$ [19]; and
- $S_{1,2,2}$ -free graphs of diameter 2 [19].

It follows from results in [8,12,17] that without the diameter-2 condition, 3-COLOURING is NP-complete again in each of the above cases; in particular 3-COLOURING is NP-complete for \mathcal{C} -free graphs for any finite set \mathcal{C} of cycles.

Our Results

We aim to increase our understanding of the complexity of 3-COLOURING for graphs of diameter 2. In [19] we mainly considered 3-COLOURING for graphs of diameter 2 with some forbidden induced subdivided star. In this paper, we continue this study by focussing on 3-COLOURING for C_s -free or (C_s, C_t) -free graphs of diameter 2 for small values of s and t ; in particular for the case where $s = 4$ (cf. the aforementioned polynomial-time result for (C_4, P_t) -free graphs). In fact we prove our results for a more general problem, namely LIST 3-COLOURING, whose complexity for diameter 2 is also still open. A *list assignment* of a graph $G = (V, E)$ is a function L that prescribes a *list of admissible colours* $L(u) \subseteq \{1, 2, \dots\}$ to each $u \in V$. A colouring c *respects* L if $c(u) \in L(u)$ for every $u \in V$. For an integer $k \geq 1$, if $L(u) \subseteq \{1, \dots, k\}$ for each $u \in V$, then L is a *list k -assignment*. The LIST k -COLOURING problem is to decide if a graph G with an list k -assignment L has a colouring that respects L . If every list is $\{1, \dots, k\}$, we obtain k -COLOURING.

The following two theorems summarize our main results.

Theorem 1. *For $s \in \{5, 6\}$, LIST 3-COLOURING is polynomial-time solvable for C_s -free graphs of diameter 2.*

Theorem 2. *For $t \in \{3, 5, 6, 7, 8, 9\}$, LIST 3-COLOURING is polynomial-time solvable for (C_4, C_t) -free graphs of diameter 2.*

The case $t = 3$ in Theorem 2 directly follows from the Hoffman-Singleton Theorem [11], which states that there are only four (C_3, C_4) -free graphs of diameter 2. The cases $t \in \{5, 6\}$ immediately follows from Theorem 1. Hence, apart from proving Theorem 1, we only need to prove Theorem 2 for $t \in \{7, 8, 9\}$.

We prove Theorem 1 and the case $t = 7$ of Theorem 2 in Section 3. As we explain in the same section, all these results follow from the same technique, which is based on a number of (known) propagation rules. We first colour a small number of vertices and then start to apply the propagation rules exhaustively. This will reduce the sizes of the lists of the vertices. The novelty of our approach is the following: we can prove that the diameter-2 property ensures such a widespread reduction that each precolouring changes our instance into an instance of 2-LIST COLOURING: the polynomial-solvable variant of LIST COLOURING where each list has size at most 2 [7] (see also Section 2).

We prove the cases $t = 8$ and $t = 9$ of Theorem 2 in Section 4 using a refinement of the technique from Section 3. We explain this refinement in detail

at the start of Section 4. In short, in our branching, we exploit information from earlier obtained no-answers to reduced instances of our original instance (G, L) .

We complement Theorems 1 and 2 by the following result for diameter 4, whose proof can be found in Section 5.

Theorem 3. *For every even integer $t \geq 6$, 3-COLOURING is NP-complete on the class of (C_4, C_6, \dots, C_t) -free graphs of diameter 4.*

Results of Damerell [6] imply that 3-COLOURING is polynomial-time solvable for (C_3, C_4, C_5, C_6) -free graphs of diameter 3 and for (C_3, \dots, C_8) -free graphs of diameter 4 [19]. We were not able to reduce the diameter in Theorem 3 from 4 to 3; see Section 6 for a further discussion, including other open problems.

2 Preliminaries

In this section we give some more terminology and notation. We also recall some useful result from the literature.

Let $G = (V, E)$ be a graph. A vertex $u \in V$ is *dominating* if u is adjacent to every other vertex of G . For $S \subseteq V$, the graph $G[S] = (S, \{uv \mid u, v \in S \text{ and } uv \in E\})$ denotes the subgraph of G induced by S . The *neighbourhood* of a vertex $u \in V$ is the set $N(u) = \{v \mid uv \in E\}$ and the *degree* of u is the size of $N(u)$. For a set $U \subseteq V$, we write $N(U) = \bigcup_{u \in U} N(u) \setminus U$.

A *clique* is a set of pairwise adjacent vertices, and an *independent set* is a set of pairwise non-adjacent vertices. A graph is *complete* if its vertex set is a clique. We denote the complete graph on r vertices by K_r . Recall that the diamond is the graph obtained from the K_4 after removing an edge. The *bull* is the graph obtained from a triangle on vertices x, y, z after adding two new vertices u and v and edges xu and yv .

Let G be a graph with a list assignment L . If $|L(u)| \leq \ell$ for each $u \in V$, then L is a ℓ -*list assignment*. A list k -assignment is a k -list assignment, but the reverse is not necessarily true. The ℓ -LIST COLOURING problem is to decide if a graph G with an ℓ -list assignment L has a colouring that respects L . We use a known general strategy for obtaining a polynomial-time algorithm for LIST 3-COLOURING on some class \mathcal{G} . That is, we will reduce the input to a polynomial number of instances of 2-LIST COLOURING and use a well-known result due to Edwards.

Theorem 4 ([7]). *The 2-LIST COLOURING problem is linear-time solvable.*

We also need an observation.

Lemma 1. *Let G be a non-bipartite graph of diameter 2. Then G contains a C_3 or induced C_5 .*

Proof. As G is non-bipartite, G has an odd cycle. Let C be an odd cycle in G of minimum length. Then C is induced; otherwise we would find a shorter

odd cycle. For contradiction, suppose that C has length at least 7. Consider two vertices u and v at distance 3 in C . Then C contains a 4-vertex path $uxyv$ for some $x, y \in V(C)$. As C is induced, u and v are non-adjacent. Hence, there exists a vertex w not on C that is adjacent to u and v (as G has diameter 2). Then the subgraph of G induced by $\{u, v, w, x, y\}$ contains a C_3 or an induced C_5 , contradicting the minimality of C . \square

3 The Propagation Algorithm and Three Results

We present our initial propagation algorithm, which is based on a number of (well-known) propagation rules; we illustrate Rules 4 and 5 in Figures 1 and 2, respectively.

Rule 1. (no empty lists) If $L(u) = \emptyset$ for some $u \in V$, then return **no**.

Rule 2. (not only lists of size 2) If $|L(u)| \leq 2$ for every $u \in V$, then apply Theorem 4.

Rule 3. (single colour propagation) If u and v are adjacent, $|L(u)| = 1$, and $L(u) \subseteq L(v)$, then set $L(v) := L(v) \setminus L(u)$.

Rule 4. (diamond colour propagation) If u and v are adjacent and share two common non-adjacent neighbours x and y with $|L(x)| = |L(y)| = 2$ and $L(x) \neq L(y)$, then set $L(x) := L(x) \cap L(y)$ and $L(y) := L(x) \cap L(y)$ (so $L(x)$ and $L(y)$ get size 1).

Rule 5. (bull colour propagation) If u and v are the two degree-1 vertices of an induced bull B of G and $L(u) = L(v) = \{i\}$ for some $i \in \{1, 2, 3\}$ and moreover $L(w) \neq \{i\}$ for the degree-2 vertex w of B , then set $L(w) := L(w) \cap \{i\}$.

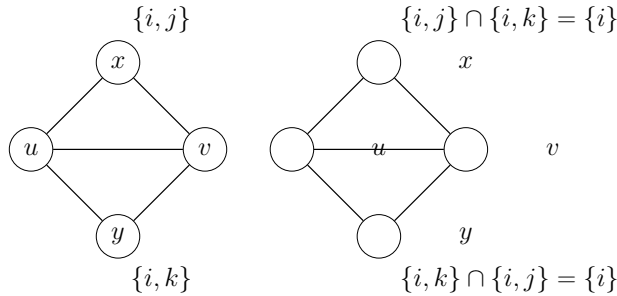


Fig. 1. Left: A diamond graph before applying Rule 4. Right: After applying Rule 4.

We say that a propagation rule is *safe* if the new instance is a yes-instance of LIST 3-COLOURING if and only if the original instance is so. We make the following observation, which is straightforward (see also [14]).

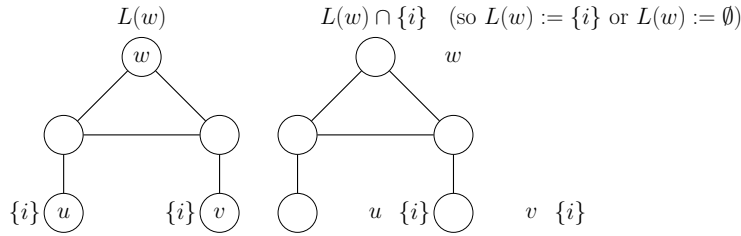


Fig. 2. Left: A bull graph before applying Rule 5. Right: After applying Rule 5.

Lemma 2. *Each of the Rules 1–5 is safe and can be applied in polynomial time.*

Consider again an instance (G, L) . Let N_0 be a subset of $V(G)$ that has size at most some constant. Assume that $G[N_0]$ has a colouring c that respects the restriction of L to N_0 . We say that c is an L -promising N_0 -precolouring of G .

In our algorithms we first determine a set N_0 of constant size and consider every L -promising N_0 -precolouring of G . That is, we modify L into a list assignment L_c with $L_c(u) = \{c(u)\}$ (where $c(u) \in L(u)$) for every $u \in N_0$ and $L_c(u) = L(u)$ for every $u \in V(G) \setminus N_0$. We then apply Rules 1–5 on (G, L_c) *exhaustively*, that is, until none of the rules can be applied anymore. This is the *propagation algorithm* and we say that it did a *full c -propagation*. The propagation algorithm may output **yes** and **no** (when applying Rules 1 or 2); else it will output **unknown**.

If the algorithm returns **yes**, then (G, L) is a **yes**-instance of LIST 3-COLOURING by Lemma 2. If it returns **no**, then (G, L) has no L -respecting colouring coinciding with c on N_0 , again by Lemma 2. If the algorithm returns **unknown**, then (G, L) may still have an L -respecting colouring that coincides with c on N_0 . In that case the propagation algorithm did not apply Rule 1 or 2. Hence, it modified L_c into a list assignment L'_c of G such that $L'_c(u) \neq \emptyset$ for every $u \in V(G)$ and at least one vertex v of G still has a list $L'_c(v)$ of size 3, that is, $L'_c(v) = \{1, 2, 3\}$. We say that L'_c (if it exists) is the *c -propagated list assignment* of G .

After performing a full c -propagation for every L -promising N_0 -precolouring c of G we say that we performed a *full N_0 -propagation*. We say that (G, L) is N_0 -terminal if after the full N_0 -propagation one of the following cases hold:

1. for some L -promising N_0 -precolouring, the propagation algorithm returned **yes**;
2. for every L -promising N_0 -precolouring, the propagation algorithm returned **no**.

Note that if (G, L) is N_0 -terminal for some set N_0 , then we have solved LIST 3-COLOURING on instance (G, L) . The next lemma formalizes our approach.

Lemma 3. *Let (G, L) be an instance of LIST 3-COLOURING. Let N_0 be a subset of $V(G)$ of constant size. Performing a full N_0 -propagation takes polynomial time. Moreover, if (G, L) is N_0 -terminal, then we have solved LIST 3-COLOURING on instance (G, L) .*

Proof. The first part of the lemma follows from the facts that (i) each application of each rule is safe and takes polynomial time by Lemma 2; (ii) if a rule does not return a **yes-answer** or **no-answer**, then it reduces the list size of at least one vertex and the latter can happen at most $3|V|$ times; and (iii) the number of L -promising N_0 -precolourings of G is at most $3^{|N_0|}$, which is a constant as N_0 has constant size. The second part of the lemma follows from the definition of a full N_0 -propagation and Lemma 2. \square

We now prove our first three results on LIST 3-COLOURING for diameter-2 graphs. The first result generalizes a corresponding result for 3-COLOURING in [19].

Theorem 5. LIST 3-COLOURING can be solved in polynomial time for C_5 -free graphs of diameter at most 2.

Proof. Let $G = (V, E)$ be a C_5 -free graph of diameter 2 with a list 3-assignment L . We first check in polynomial time if G is bipartite. Suppose that we find that G is bipartite, say with partition classes A and B . As G has diameter 2, we find that G must be complete bipartite. This implies that either A or B must be monochromatic. For each $i \in \bigcap_{u \in A} L(u)$ (which might be empty) we set $L(u) = \{i\}$ for every $u \in A$ and $L(v) := L(v) \setminus \{i\}$ for every $v \in B$ and apply Theorem 4. If we do not find a colouring respecting L , then we reverse the role of A and B and perform the same step.

Now suppose that we find that G is not bipartite. If G contains a K_4 , then G is not 3-colourable, and hence (G, L) is a no-instance of LIST 3-COLOURING. We can check this in $O(|V|^4)$ time. From now on we assume that G is K_4 -free and non-bipartite. The latter implies that G must have a triangle or an induced C_5 , due to Lemma 1. As G is C_5 -free, it follows that G has at least one triangle.

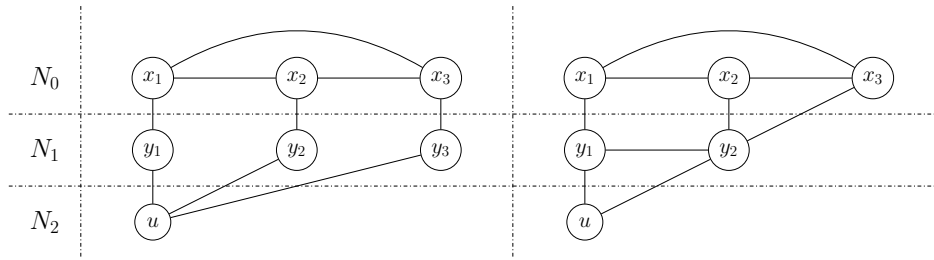


Fig. 3. Left: Examining the situation in the proof of Theorem 5 where a vertex $u \in N_2$ does not belong to T ; we show that y_1, y_2, y_3 and u either form a K_4 or we would find an induced C_5 (both of these cases are not possible). Right: A situation where $u \in T$.

Let C be a triangle in G . We write $N_0 = V(C) = \{x_1, x_2, x_3\}$, $N_1 = N(V(C))$ and $N_2 = V(G) \setminus (N_0 \cup N_1)$. As N_0 has size 3, we can apply a full N_0 -propagation in polynomial time by Lemma 3. By the same lemma we are done if we can prove that (G, L) is N_0 -terminal. We prove this claim below after first showing a structural result.

As G has diameter 2, for every $i \in \{1, 2, 3\}$, it holds that every vertex in N_2 has a neighbour in N_1 that is adjacent to x_i . Now let T consist of all vertices of N_2 that have a neighbour in N_1 that is adjacent to exactly two vertices of N_0 .

Claim 1. $N_2 = T$.

We prove Claim 1 as follows. Let $u \in N_2$. For contradiction, assume $u \notin T$. If u has a neighbour $y \in N_1$ adjacent to every x_i , then G contains a K_4 , a contradiction. Hence, as $u \notin T$, we find that u must have three distinct neighbours y_1, y_2, y_3 , such that for $i \in \{1, 2, 3\}$, it holds that $N(y_i) \cap N_0 = \{x_i\}$. If $\{y_1, y_2, y_3\}$ is a clique, then G has a K_4 on vertices u, y_1, y_2, y_3 , a contradiction. Hence, we may assume without loss of generality that y_1 and y_2 are non-adjacent. However, then $\{u, y_1, x_1, x_2, y_2\}$ induces a C_5 in G , another contradiction. See also Figure 3. We conclude that $T = N_2$. This proves Claim 1.

Now, for contradiction, assume that (G, L) is not N_0 -terminal. Then there must exist an L -promising N_0 -precolouring c for which we obtain the c -propagated list assignment L'_c . By definition of L'_c we find that G contains a vertex u with $L'_c(u) = \{1, 2, 3\}$. Then $u \notin N_0$, as every $v \in N_0$ has $L'_c(v) = \{c(v)\}$. Moreover, $u \notin N_1$, as vertices in N_1 have a list of size at most 2 after applying Rule 3. Hence, we find that $u \in N_2$. As $N_2 = T$ by Claim 1, we find that $u \in T$. From the definition of T it follows that u has a neighbour $v \in N_1$ with two neighbours in N_0 . By Rule 3, we find that $|L'_c(v)| = 1$. By the same rule, this implies that $|L'_c(u)| \leq 2$, a contradiction. We conclude that (G, L) is N_0 -terminal. \square

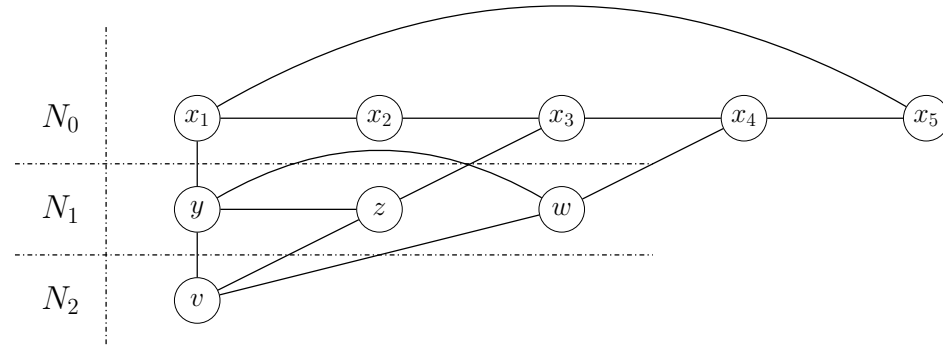


Fig. 4. The situation in the proof of Theorem 6, which is similar to the situation in the proof of Theorem 7.

Theorem 6. LIST 3-COLOURING can be solved in polynomial time for C_6 -free graphs of diameter at most 2.

Proof. Let $G = (V, E)$ be a C_6 -free graph of diameter 2 with a list 3-assignment L . If G is C_5 -free, then we apply Theorem 5. If G contains a K_4 , then G is not 3-colourable and hence, (G, L) is a no-instance of LIST 3-COLOURING. We check these properties in polynomial time. So, from now on, we assume that G is a K_4 -free graph that contains an induced 5-vertex cycle C , say with vertex set $N_0 = \{x_1, \dots, x_5\}$ in this order. Let N_1 be the set of vertices that do not belong to C but that are adjacent to at least one vertex of C . Let $N_2 = V \setminus (N_0 \cup N_1)$ be the set of remaining vertices.

As N_0 has size 5, we can apply a full N_0 -propagation in polynomial time by Lemma 3. By the same lemma we are done if we can prove that (G, L) is N_0 -terminal. We prove this claim below.

For contradiction, assume that (G, L) is not N_0 -terminal. Then there must exist an L -promising N_0 -precolouring c for which we obtain the c -propagated list assignment L'_c . By definition of L'_c we find that G contains a vertex v with $L'_c(v) = \{1, 2, 3\}$. Then $v \notin N_0$, as every $u \in N_0$ has $L'_c(u) = \{c(u)\}$. Moreover, $v \notin N_1$, as vertices in N_1 have a list of size at most 2 after applying Rule 3. Hence, we find that $v \in N_2$.

We first note that some colour of $\{1, 2, 3\}$ appears exactly once on N_0 , as $|N_0| = 5$. Hence, we may assume without loss of generality that $c(x_1) = 1$ and that $c(x_i) \in \{2, 3\}$ for every $i \in \{2, 3, 4, 5\}$.

As G has diameter 2, there exists a vertex $y \in N_1$ that is adjacent to x_1 and v . As $L'_c(v) = \{1, 2, 3\}$ and $c(x_1) = 1$, we find that $L'_c(y) = \{2, 3\}$. As $c(x_i) \in \{2, 3\}$ for every $i \in \{2, 3, 4, 5\}$, the latter means that y is not adjacent to any x_i with $i \in \{2, 3, 4, 5\}$. Hence, as G has diameter 2, there exists a vertex $z \in N_1$ with $z \neq y$, such that z is adjacent to x_3 and v . We assume without loss of generality that $c(x_3) = 3$ and thus $c(x_2) = c(x_4) = 2$ and thus $c(x_5) = 3$. As $L'_c(v) = \{1, 2, 3\}$ and $c(x_3) = 3$, we find that $L'_c(z) = \{1, 2\}$. Hence, z is not adjacent to any vertex of $\{x_1, x_2, x_4\}$. Now the set $\{x_1, x_2, x_3, z, v, y\}$ forms a cycle on six vertices. As G is C_6 -free, this cycle cannot be induced. Hence, the above implies that y and z must be adjacent; see also Figure 4.

As G has diameter 2, there exists a vertex $w \in N_1$ that is adjacent to x_4 and v . As both y and z are not adjacent to x_4 , we find that $w \notin \{y, z\}$. As $L'_c(v) = \{1, 2, 3\}$ and $c(x_4) = 2$, we find that $L'_c(w) = \{1, 3\}$. As $c(x_1) = 1$ and $c(x_3) = c(x_5) = 3$, the latter implies that w is not adjacent to any vertex of $\{x_1, x_3, x_5\}$. Consequently, w must be adjacent to y , as otherwise the 6-vertex cycle with vertex set $\{x_1, x_5, x_4, w, v, y\}$ would be induced, contradicting the C_6 -freeness of G . We refer again to Figure 4 for a display of the situation.

If w and z are adjacent, then $\{v, w, y, z\}$ induces a K_4 , contradicting the K_4 -freeness of G . Hence, w and z are not adjacent. Then $\{v, w, y, z\}$ induces a diamond, in which w and z are the two non-adjacent vertices. However, as $L'_c(w) = \{1, 3\}$ and $L'_c(z) = \{1, 2\}$, our algorithm would have applied Rule 4. This would have resulted in lists of w and z that are both equal to $\{1, 3\} \cap \{1, 2\} = \{1\}$. Hence, we obtained a contradiction and conclude that (G, L) is N_0 -terminal. \square

Theorem 7 is proven in a similar way as Theorem 6.

Theorem 7. LIST 3-COLOURING can be solved in polynomial time for (C_4, C_7) -free graphs of diameter 2.

Proof. Let $G = (V, E)$ be a C_4 -free graph of diameter 2 with a list 3-assignment L . If G is C_5 -free, then we apply Theorem 5. Hence we may assume that G contains an induced 5-vertex cycle C , say with vertex set $N_0 = \{x_1, \dots, x_5\}$ in this order. As before, we let N_1 be the set of vertices that do not belong to C but that are adjacent to at least one vertex of C . We also let $N_2 = V \setminus (N_0 \cup N_1)$ denote the set of remaining vertices again.

As N_0 has size 5, we can apply a full N_0 -propagation in polynomial time by Lemma 3. By the same lemma we are done if we can prove that (G, L) is N_0 -terminal. We prove this claim in exactly the same way in which we proved a similar claim in the proof of Theorem 6 except for the following differences:

1. instead of using the 6-vertex set $\{x_1, x_2, x_3, z, v, y\}$ we use the 7-vertex set $\{x_1, x_5, x_4, x_3, z, v, y\}$ after observing that z cannot be adjacent to x_5 due to the C_4 -freeness of G , and
2. instead of using the 6-vertex set $\{x_1, x_5, x_4, w, v, y\}$ we use the 7-vertex set $\{x_1, x_2, x_3, x_4, w, v, y\}$ after observing that w cannot be adjacent to x_2 , again due to the C_4 -freeness of G .

We refer again to Figure 4 for a display of the situation. □

4 The Extended Propagation Algorithm and Two Results

For our next two results, we need a more sophisticated method. Let (G, L) be an instance of LIST 3-COLOURING. Let p be some positive constant. We consider each set $N_0 \subseteq V(G)$ of size at most p and perform a full N_0 -propagation. Afterwards we say that we performed a *full p -propagation*. We say that (G, L) is *p -terminal* if after the full p -propagation one of the following cases hold:

1. for some $N_0 \subseteq V(G)$ with $|N_0| \leq c$, there is an L -promising N_0 -precolouring c , such that the propagation algorithm returns **yes**; or
2. for every set $N_0 \subseteq V(G)$ with $|N_0| \leq c$ and every L -promising N_0 -precolouring c , the propagation algorithm returns **no**.

We can now prove the following lemma.

Lemma 4. Let (G, L) be an instance of LIST 3-COLOURING and $p \geq 1$ be some constant. Performing a full p -propagation takes polynomial time. Moreover, if (G, L) is p -terminal, then we have solved LIST 3-COLOURING on instance (G, L) .

Proof. For every set $N_0 \subseteq V(G)$, a full N_0 -propagation takes polynomial time by Lemma 3. Then the first statement of the lemma follows from this observation and the fact that we need to perform $O(n^p)$ full N_0 -propagations, which is a polynomial number, as p is a constant.

Now suppose that (G, L) is p -terminal. First assume that for some $N_0 \subseteq V(G)$ with $|N_0| \leq c$, there exists an L -promising N_0 -precolouring c , such that

the propagation algorithm returns **yes**. Then (G, L) is a yes-instance due to Lemma 2. Now assume that for every set $N_0 \subseteq V(G)$ with $|N_0| \leq c$ and every L -promising N_0 -precolouring c , the propagation algorithm returns **no**. Then (G, L) is a no-instance. This follows from Lemma 2 combined with the observation that if (G, L) was a yes-instance, the restriction of a colouring c that respects L to any set N_0 of size at most p would be an L -promising N_0 -precolouring of G . \square

In our next two algorithms, we perform a full p -propagation for some appropriate constant p . If we find that an instance (G, L) is p -terminal, then we are done by Lemma 4. In the other case, we exploit the new information on the structure of G that we obtain from the fact that (G, L) is not p -terminal.

Theorem 8. LIST 3-COLOURING can be solved in polynomial time for (C_4, C_8) -free graphs of diameter 2.

Proof. Let $G = (V, E)$ be a (C_4, C_8) -free graph of diameter 2 with a list 3-assignment L . If G is C_6 -free, then we apply Theorem 6. If G contains a K_4 , then G is not 3-colourable and hence, (G, L) is a no-instance of LIST 3-COLOURING. We check these properties in polynomial time. So, from now on, we assume that G is a K_4 -free graph that contains at least one induced cycle on six vertices.

We set $p = 6$ and perform a full p -propagation. This takes polynomial time by Lemma 2. By the same lemma, we have solved LIST 3-COLOURING on (G, L) if (G, L) is p -terminal. Suppose we find that (G, L) is not p -terminal.

We first prove the following claim.

Claim 1. For each induced 6-vertex cycle C , the propagation algorithm returned **no** for every $V(C)$ -promising colouring c that assigns the same colour i on two vertices of C that have a common neighbour on C .

We prove Claim 1 as follows. Consider an induced 6-vertex cycle C , say with vertex set $N_0 = \{x_1, \dots, x_6\}$ in this order. Let N_1 be the set of vertices that do not belong to C but that are adjacent to at least one vertex of C . Let $N_2 = V \setminus (N_0 \cup N_1)$ be the set of remaining vertices. For contradiction, let c be a $V(C)$ -promising colouring that assigns two vertices of C with a common neighbour on C the same colour, say $c(x_1) = 1$ and $c(x_3) = 1$, such that a full c -propagation does not yield a **no** output. As (G, L) is not p -terminal, this means that we obtained the c -propagated list assignment L'_c . By definition of L'_c we find that G contains a vertex v with $L'_c(v) = \{1, 2, 3\}$. Then $v \notin N_0$, as every $u \in N_0$ has $L'_c(u) = \{c(u)\}$. Moreover, $v \notin N_1$, as vertices in N_1 have a list of size at most 2 after applying Rule 3. Hence, we find that $v \in N_2$.

As G has diameter 2, there exist a vertex $y \in N_1$ that is adjacent to both v and x_1 . As $c(x_1) = 1$, we find that $c(x_2) \in \{2, 3\}$ and $c(x_6) \in \{2, 3\}$. As $c(x_3) = 1$, we find that $c(x_4) \in \{2, 3\}$. Hence, y is not adjacent to any vertex of $\{x_2, x_4, x_6\}$; otherwise y would have a list of size 1 due to Rule 3, and by the same rule, v would have a list of size 2. We note that y is not adjacent to x_3 or x_5 either, as otherwise $\{x_1, x_2, x_3, y\}$ or $\{x_1, x_6, x_5, y\}$ induces a C_4 , contradicting the C_4 -freeness of G .

As G has diameter 2 and $yx_3 \notin E$, there exists a vertex $y' \in N_1 \setminus \{y\}$ that is adjacent to both v and x_3 . By the same arguments as above, y' is not adjacent to any vertex of $\{x_1, x_2, x_4, x_5, x_6\}$. If y and y' are adjacent, then v would have list $\{1\}$ due to Rule 5. Hence y and y' are not adjacent. However, we now find that $\{x_1, y, v, y', x_3, x_4, x_5, x_6\}$ induces a C_8 , contradicting the C_8 -freeness of G ; see also Figure 5. This proves Claim 1.

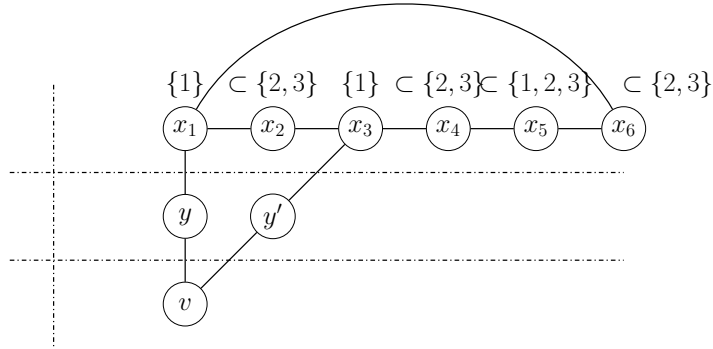


Fig. 5. The situation that is described in Claim 1 in the proof of Theorem 8: the set $\{x_1, y, v, y', x_3, x_4, x_5, x_6\}$ induces a C_8 , which is not possible.

Due to Claim 1, we know that if G has a colouring c respecting L , then any such colouring c gives a different colour to every two non-adjacent vertices that are of distance 2 on some induced 6-vertex cycle. Hence, we can safely use the following new rule. To explain this, x_5 cannot get the same colour of both x_1 and x_3 , which are both of distance 2 from x_5 on an induced C_6 , thus x_5 must get the remaining colour, which is the colour of x_2 . Moreover, an application of the new rule takes polynomial time. Note that we must also have that $L(x_4) = L(x_1)$ and $L(x_6) = L(x_3)$ but this will be irrelevant for our purposes.

Rule-C6. (C_6 colour propagation) Let C be an induced cycle on six vertices x_1, x_2, \dots, x_6 in that order. If $|L(x_1)| = |L(x_2)| = |L(x_3)| = 1$, $L(\{x_1, x_2, x_3\}) = \{1, 2, 3\}$ and $L(x_2) \neq L(x_5)$, then set $L(x_5) := L(x_2) \cap L(x_5)$ (so x_5 gets a list of size at most 1).

We can now do as follows. Consider an induced 6-vertex cycle C in G , say on vertices x_1, \dots, x_6 in that order. Then we may assume without loss of generality that if G has a colouring c that respects L , then $c(x_1) = 1$, $c(x_2) = 2$, $c(x_3) = 3$, $c(x_4) = 1$, $c(x_5) = 2$ and $c(x_6) = 3$ (otherwise we can do some permutation of the colours). See also Figure 6.

We let again $N_0 = \{x_1, \dots, x_6\}$, N_1 be the set of vertices that do not belong to C but that are adjacent to at least one vertex of C , and $N_2 = V \setminus (N_0 \cup N_1)$ be

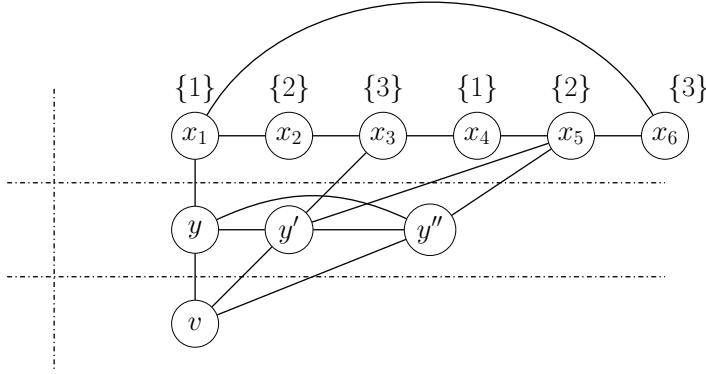


Fig. 6. The situation in the proof of Theorem 8, where a vertex $v \in N_2$ still has a list of three available colours after a full propagation including Rule-C6: we show that in this case G contains a K_4 , namely on vertices v, y, y', y'' , a contradiction.

the set of remaining vertices. We do a full c -propagation but now we also include the exhaustive use of Rule-C6. By combining Lemma 2 with the observation that Rule-C6 runs in polynomial time and reduces the list size of at least one vertex, this takes polynomial time. By combining the same lemma with the fact that Rule-C6 is safe (due to Claim 1) and the above observation that every L -respecting colouring of G coincides with c on N_0 (subject to colour permutation), we are done if we can prove that the propagation algorithm either outputs **yes** or **no**.

For contradiction, assume that the propagation algorithm returns **unknown**. Then we obtained the c -propagated list assignment L'_c . By definition of L'_c we find that G contains a vertex v with $L'_c(v) = \{1, 2, 3\}$. Then $v \notin N_0$, as every $u \in N_0$ has $L'_c(u) = \{c(u)\}$. Moreover, $v \notin N_1$, as vertices in N_1 have a list of size at most 2 after applying Rule 3. Hence, we find that $v \in N_2$.

As G has diameter 2, there exists a vertex $y \in N_1$ that is adjacent to x_1 and v . Hence, y is not adjacent to any vertex in $\{x_2, x_3, x_5, x_6\}$; otherwise y would have a list of size 1 due to Rule 3, and by the same rule, v would have a list of size 2. As G has diameter 2 and $yx_3 \notin E$, there exists a vertex $y' \in N_1 \setminus \{y\}$ that is adjacent to x_3 and v . By the same arguments as above, y' is not adjacent to any vertex in $\{x_1, x_2, x_4, x_5\}$. If $yy' \notin E$, then $\{x_1, x_2, x_3, y', v, y\}$ induces a C_6 . However, in that case we would have applied Rule-C6 and v would have had list $\{2\}$. Hence, we find that y and y' are adjacent; see also Figure 6.

As G has diameter 2, $yx_5 \notin E$ and $y'x_5 \notin E$, there exists a vertex $y'' \in N_1 \setminus \{y, y'\}$ that is adjacent to x_5 and v . By using exactly the same arguments as above but now applied to y'' and to the pairs (y, y'') and (y', y'') , respectively, we find that y'' is adjacent to both y and y' . However, now the vertices v, y, y', y'' induce a K_4 , contradicting the K_4 -freeness of G (see again Figure 6). We conclude that the propagation algorithm returned either **yes** or **no**. \square

Theorem 9. LIST 3-COLOURING can be solved in polynomial time for (C_4, C_9) -free graphs of diameter 2.

Proof. Let $G = (V, E)$ be a (C_4, C_9) -free graph of diameter 2 with a list 3-assignment L . If G is C_7 -free, then we apply Theorem 7. If G contains a K_4 , then G is not 3-colourable and hence, (G, L) is a no-instance of LIST 3-COLOURING. We check these properties in polynomial time. So, from now on, we assume that G is a K_4 -free graph that contains at least one induced cycle on seven vertices.

We set $p = 7$ and perform a full p -propagation. This takes polynomial time by Lemma 2. By the same lemma, we have solved LIST 3-COLOURING on (G, L) if (G, L) is p -terminal. Suppose we find that (G, L) is not p -terminal.

We first prove the following claim.

Claim 1. For each induced 7-vertex cycle C , the propagation algorithm returned no for every L -promising $V(C)$ -colouring c that assigns the same colour i on two vertices of C that have a common neighbour on C and that gives every other vertex of C a colour different from i .

We prove Claim 1 as follows. Consider an induced 7-vertex cycle C , say with vertex set $N_0 = \{x_1, \dots, x_7\}$ in this order. Let N_1 be the set of vertices that do not belong to C but that are adjacent to at least one vertex of C . Let $N_2 = V \setminus (N_0 \cup N_1)$ be the set of remaining vertices. Let c be an L -promising $V(C)$ -colouring that assigns two vertices of C with a common neighbour on C the same colour, say $c(x_1) = 1$ and $c(x_3) = 1$, and moreover, that assigns every vertex x_i with $i \in \{2, 4, 5, 6, 7\}$ colour $c(x_i) \neq 1$.

For contradiction, suppose that a full c -propagation does not yield a no output. As (G, L) is not p -terminal, this means that we obtained the c -propagated list assignment L'_c . By definition of L'_c we find that G contains a vertex v with $L'_c(v) = \{1, 2, 3\}$. Then $v \notin N_0$, as every $u \in N_0$ has $L'_c(u) = \{c(u)\}$. Moreover, $v \notin N_1$, as vertices in N_1 have a list of size at most 2 after applying Rule 3. Hence, we find that $v \in N_2$.

As G has diameter 2, there exist a vertex $y \in N_1$ that is adjacent to both v and x_1 . Then y is not adjacent to any x_i with $i \in \{2, 4, 5, 6, 7\}$; in that case y would have a list of size 1 (as each x_i other than x_1 and x_3 is coloured 2 or 3) meaning that $L'_c(v)$ would have size at most 2. Hence, y is not adjacent to x_3 either, as otherwise $\{y, x_1, x_2, x_3\}$ would induce a C_4 . As G has diameter 2, this means that there exists a vertex $y' \in N_1$ with $y' \neq y$ such that y' is adjacent to both v and x_3 . By the same arguments we used for y' , we find that x_3 is the only neighbour of y' on C .

If yy' is an edge then, by Rule 5, v would have had list $\{1\}$ instead of $\{1, 2, 3\}$. Hence, y and y' are not adjacent. However, now $\{y, v, y', x_3, x_4, x_5, x_6, x_7, x_1\}$ induces a C_9 , a contradiction; see also Figure 7. This proves Claim 1.

Claim 1 tells us that if G has a colouring c respecting L , then c only gives the same colour to two vertices x and x' that are of distance 2 on some induced 7-vertex cycle C if there is a third vertex x'' that is of distance 2 from either x or x' on C with $c(x'') = c(x') = c(x)$. Hence, we can safely use the following new

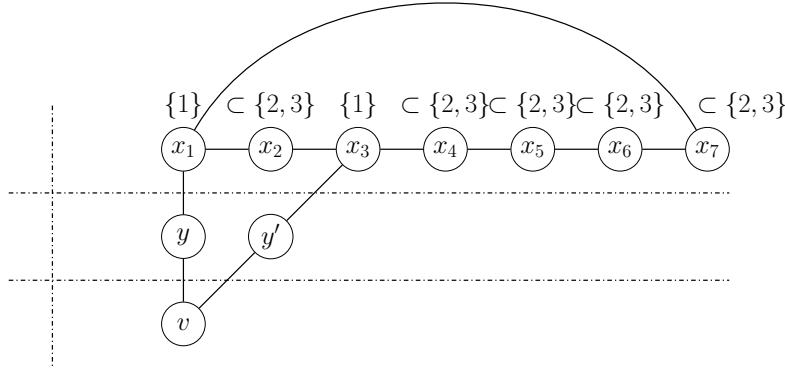


Fig. 7. The situation that is described in Claim 1 in the proof of Theorem 9. The set $\{x_1, y, v, y', x_3, x_4, x_5, x_6, x_7\}$ induces a C_9 , which is not possible.

rule, whose execution takes polynomial time (in this rule, $c(x_1) = c(x_6)$ is not possible: view x_1 as x and x_6 as x' and note that x'' can neither be x_3 or x_4).

Rule-C7. (C7 colour propagation) Let C be an induced cycle on seven vertices x_1, x_2, \dots, x_7 in that order. If $|L(x_i)| = 1$ for $i \in \{1, 2, 3, 4\}$, $L(\{x_1, x_2, x_3\}) = \{1, 2, 3\}$, $L(x_4) = L(x_2)$, and $L(x_1) \subseteq L(x_6)$, then set $L(x_6) := \{1, 2, 3\} \setminus L(x_1)$ (so $L(x_6)$ gets size at most 2).

We now consider an induced 7-vertex cycle C in G , say on vertices x_1, \dots, x_7 in that order. Then either one colour appear once on C , or two colours appear exactly twice on C , with distance 3 from each other on C . Hence, we may assume without loss of generality that if G has a colouring c that respects L , then one of the following holds for such a colouring c (see also Figures 8 and 9):

- (1) $c(x_1) = 1, c(x_2) = 2, c(x_3) = 3, c(x_4) = 2, c(x_5) = 3, c(x_6) = 2, c(x_7) = 3$;
- or
- (2) $c(x_1) = 1, c(x_2) = 2, c(x_3) = 3, c(x_4) = 1, c(x_5) = 3, c(x_6) = 2, c(x_7) = 3$.

We let again $N_0 = \{x_1, \dots, x_7\}$, N_1 be the set of vertices that do not belong to C but that are adjacent to at least one vertex of C , and $N_2 = V \setminus (N_0 \cup N_1)$ be the set of remaining vertices. We do a full c -propagation but now we also include the exhaustive use of Rule-C7. By combining Lemma 2 with the observation that Rule-C7 runs in polynomial time and reduces the list size of at least one vertex, this takes polynomial time. By combining the same lemma with the fact that Rule-C7 is safe (due to Claim 1) and the above observation that every L -respecting colouring of G coincides with c on N_0 (subject to colour permutation), we are done if we can prove that the propagation algorithm either outputs **yes** or **no**. We show that this is the case for each of the two possibilities (1) and (2) of c .

For contradiction, assume that the propagation algorithm returns **unknown**. Then we obtained the c -propagated list assignment L'_c . By definition of L'_c we find that G contains a vertex v with $L'_c(v) = \{1, 2, 3\}$. Then $v \notin N_0$, as every $u \in N_0$ has $L'_c(u) = \{c(u)\}$. Moreover, $v \notin N_1$, as vertices in N_1 have a list of size at most 2 after applying Rule 3. Hence, we find that $v \in N_2$. We now need to distinguish between the two possibilities of c .

Case 1 $c(x_1) = 1, c(x_2) = 2, c(x_3) = 3, c(x_4) = 2, c(x_5) = 3, c(x_6) = 2, c(x_7) = 3$

As G has diameter 2, there exists a vertex $y \in N_1$ that is adjacent to x_1 and v . Hence, y is not adjacent to any vertex in $\{x_2, \dots, x_7\}$; otherwise y would have a list of size 1 due to Rule 3, and by the same rule, v would have a list of size 2. As G has diameter 2, there exists a vertex $y' \in N_1$ that is adjacent to x_4 and v . By the same arguments as above, y' is not adjacent to any vertex of $\{x_1, x_3, x_5, x_7\}$. The latter, together with the C_4 -freeness of G , implies that y' is not adjacent to x_2 and x_6 either.

First suppose that $yy' \in E$. Then $\{x_1, x_7, x_6, x_5, x_4, y', y\}$ induces a C_7 ; see also Figure 8. As $c(x_1) = 1, c(x_7) = 3, c(x_6) = 2$ and $c(x_5) = 3$, we find that $L_c(\{x_1, x_7, x_6\}) = \{1, 2, 3\}$ and $L_c(x_5) = L_c(x_7)$. Then $1 \notin L_c(y')$, as otherwise the propagation algorithm would have applied Rule-C7. Moreover, $2 \notin L_c(y')$, as otherwise the propagation algorithm would have applied Rule 3. Hence, $L_c(y') = \{3\}$. However, then $|L_c(v)| \leq 2$, again due to Rule 3, a contradiction.

Now suppose that $yy' \notin E$. Then $\{x_1, x_2, x_3, x_4, y', v, y\}$ induces a C_7 . As $c(x_1) = 1, c(x_2) = 2, c(x_3) = 3, c(x_4) = 2$, we find that $L_c(\{x_1, x_2, x_3\}) = \{1, 2, 3\}$ and $L_c(x_4) = L_c(x_2)$. Then $1 \notin L_c(v)$ due to Rule-C7. This is a contradiction, as we assumed $L_c(v) = \{1, 2, 3\}$. We conclude that the propagation algorithm returned either **yes** or **no**.

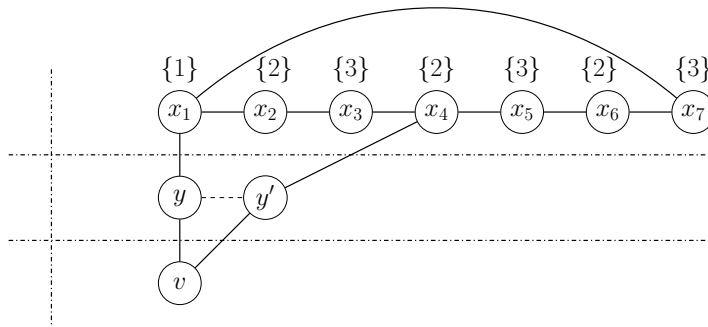


Fig. 8. The situation that is described in Case 1 in the proof of Theorem 9. If the edge yy' exists, then $\{x_1, x_7, x_6, x_5, x_4, y', y\}$ induces a C_7 to which Rule-C7 should have been applied. Otherwise the vertices $\{x_1, x_2, x_3, x_4, y', v, y\}$ induce such a C_7 .

Case 2 $c(x_1) = 1, c(x_2) = 2, c(x_3) = 3, c(x_4) = 1, c(x_5) = 3, c(x_6) = 2, c(x_7) = 3$

As G has diameter 2, there is a vertex $y \in N_1$ adjacent to x_3 and v . Hence, y is not adjacent to any vertex in $\{x_1, x_2, x_4, x_6\}$; otherwise y would have a list of size 1 due to Rule 3, and by the same rule, v would have a list of size 2. As $yx_4 \notin E$, we find that $yx_5 \notin E$ either; otherwise $\{y, x_3, x_4, x_5\}$ induces a C_4 . As G has diameter 2, this means there is a vertex $y' \in N_1 \setminus \{y\}$ adjacent to x_5 and v . By the same arguments as above, y' is not adjacent to any vertex of $\{x_1, x_2, x_4, x_6\}$. As G is C_4 -free, the latter implies that $y'x_3 \notin E$ and $y'x_7 \notin E$.

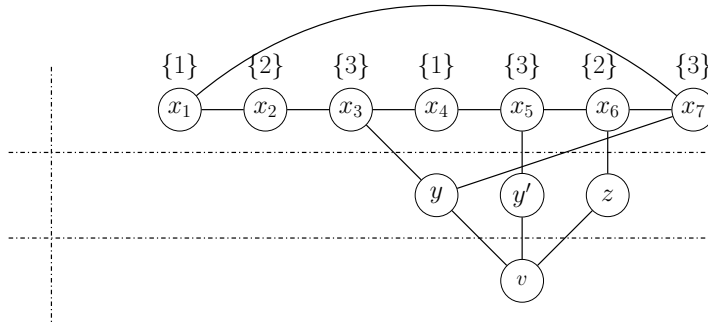


Fig. 9. The situation that is described in Case 2 in the proof of Theorem 9. The set $\{x_6, x_5, x_4, x_3, y, v, z\}$ induces a C_7 to which Rule-C7 should have been applied.

If $yy' \in E$, then v would have a list of size at most 2 due to Rule 5. Hence $yy' \notin E$. If $yx_7 \notin E$, this means that $\{x_1, x_2, x_3, y, v, y', x_5, x_6, x_7\}$ induces a C_9 , which is not possible. Hence, $yx_7 \in E$.

To summarize, we found that v has two distinct neighbours y and y' , where y has exactly two neighbours on C , namely x_3 and x_7 , and y' has exactly one neighbour on C , namely x_5 . As G has diameter 2, this means that there exists a vertex $z \in N_1$ with $z \notin \{y, y'\}$ that is adjacent to x_6 and v . Then z is not adjacent to any vertex of $\{x_1, x_3, x_4, x_5, x_7\}$, as otherwise z would have a list of size 1 due to Rule 3, and by the same rule, v would have a list of size 2. If $zy \in E$, then $\{y, z, x_6, x_7\}$ induces a C_4 , which is not possible. Hence $zy \notin E$.

From the above, we find that $\{x_6, x_5, x_4, x_3, y, v, z\}$ induces a C_7 ; see also Figure 9. As $c(x_6) = 2, c(x_5) = 3, c(x_4) = 1$ and $c(x_3) = 3$, we find that $L_c(\{x_6, x_5, x_4\}) = \{1, 2, 3\}$ and $L_c(x_3) = L_c(x_5)$. Then $2 \notin L_c(v)$, due to Rule-C7. Hence, $|L_c(v)| \leq 2$, a contradiction. We conclude that the propagation algorithm returned either **yes** or **no** in Case 2 as well. \square

5 The Proof of Theorem 3

In this section we prove Theorem 3, which we restate below.

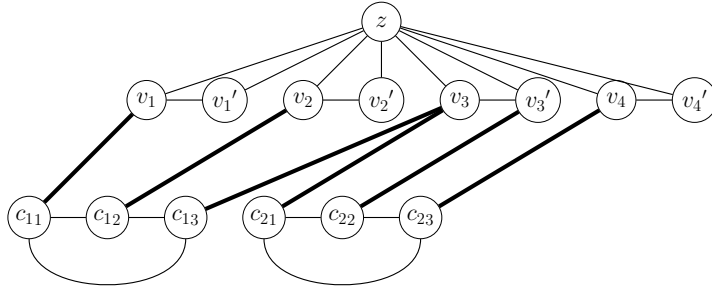


Fig. 10. An example of a graph G in the reduction from NOT-ALL-EQUAL 3-SATISFIABILITY to 3-COLOURING with clauses $C_1 = x_1 \wedge x_2 \wedge x_3$ and $C_2 = x_3 \wedge \neg x_3 \wedge x_4$. We obtain the graph G' by subdividing the thick edges (edges between literal and clause vertices) the same number of times and connecting the newly introduced vertices to z .

Theorem 3 (restated). *For every even integer $t \geq 6$, 3-COLOURING is NP-complete on the class of (C_4, C_6, \dots, C_t) -free graphs of diameter 4.*

Proof. Note that the problem is readily seen to be in NP. To prove NP-hardness we modify the standard reduction for COLOURING from the NP-complete problem NOT-ALL-EQUAL 3-SATISFIABILITY [26], where each variable appears in at most three clauses. So, given a CNF formula ϕ , we first construct a graph G as follows (see also Figure 10):

- add literal vertices v_i and v'_i for each variable x_i ;
- add an edge between each v_i and v'_i ;
- add a vertex z adjacent to every v_i and every v'_i ;
- for each clause C_i add a triangle T_i with clause vertices $c_{i_1}, c_{i_2}, c_{i_3}$;
- fix an arbitrary order of the literals $x_{i_1}, x_{i_2}, x_{i_3}$ of C_i and for $j \in \{1, 2, 3\}$, add the edge $v_{i_j}c_{i_j}$ if x_{i_j} is positive and the edge $v'_{i_j}c_{i_j}$ if x_{i_j} is negative.

It is well known that ϕ has a truth assignment τ such that each clause contains at least one true literal and at least one false literal (call such a τ satisfying) if and only if G has a 3-colouring. For completeness we give a proof below.

First suppose ϕ has a satisfying truth assignment. Colour vertex z with colour 1, each true literal with colour 2 and each false literal with colour 3. Then, as each clause has a true literal and a false literal, each triangle T_i has neighbours in two different colours. Hence, we can complete the 3-colouring.

Now suppose G has a 3-colouring. Say z is assigned colour 1. Then each literal vertex has either colour 2 or colour 3. Moreover, each T_i must be adjacent to at least one literal vertex coloured 2 and to at least one literal vertex coloured 3. Hence, the truth assignment that sets literals whose vertices are coloured with colour 2 to be true and those coloured with colour 3 to be false is satisfying.

As every clause vertex is adjacent to a literal vertex and literal vertices are adjacent to z , every vertex has distance at most 2 from z . So G has diameter 4.

We modify G into a graph G' : for some $p \geq 0$, subdivide each edge $v_{i_j}c_{i_j}$ and each edge $v'_{i_j}c_{i_j}$ p times and make each newly introduced vertex adjacent to z ; see also Figure 10. Then G' has a 3-colouring if and only if G has a 3-colouring, as the new vertices will be alternatingly coloured by 2 and 3 if z has colour 1. Moreover, G' still has diameter 4, and it can be readily checked that every induced cycle of G of length at most p is either a C_3 (either a triangle T_i or a triangle containing z) or a C_5 (which must contain z). As we can make p arbitrarily large, the result follows. \square

6 Conclusions

We proved that 3-COLOURABILITY is polynomial-time solvable for several subclasses of diameter 2 that are characterized by forbidding one or two small induced cycles. In order to do this we used a unified framework of propagation rules, which allowed us to exploit the diameter-2 property of the input graph. Our current techniques need to be extended to obtain further results (in particular, we cannot currently handle the increasing number of different 3-colourings of induced cycles of length larger than 9).

As open problems we pose: determine the complexity of 3-COLOURING and LIST 3-COLOURING for:

- graphs of diameter 2 (which we recall is a long-standing open problem)
- C_t -free graphs of diameter 2 for $s \in \{3, 4, 7, 8, \dots\}$; and
- (C_4, C_t) -free graphs of diameter 2 for $t \geq 10$.

We also note that the complexity of k -COLOURING for $k \geq 4$ and COLOURING is still open for C_3 -free graphs of diameter 2 (see also [19]).

Finally, we turn to the class of graphs of diameter 3. The construction of Mertzios and Spirakis [21] for proving that 3-COLOURING is NP-complete for C_3 -free graphs of diameter 3 appears to contain not only induced subdivided stars of arbitrary diameter and with an arbitrary number of leaves but also induced cycles of arbitrarily length $s \geq 4$. Hence, we pose as open problems: determine the complexity of 3-COLOURING and LIST 3-COLOURING for C_t -free graphs of diameter 3 for $t \geq 4$ and (C_4, C_t) -free graphs of diameter 3 for $t \in \{3, 5, 6, \dots\}$.

References

1. N. Alon. Restricted colorings of graphs. *Surveys in combinatorics, London Mathematical Society Lecture Note Series*, 187:1–33, 1993.
2. M. Bodirsky, J. Kára, and B. Martin. The complexity of surjective homomorphism problems - a survey. *Discrete Applied Mathematics*, 160(12):1680–1690, 2012.
3. F. Bonomo, M. Chudnovsky, P. Maceli, O. Schaudt, M. Stein, and M. Zhong. Three-coloring and list three-coloring of graphs without induced paths on seven vertices. *Combinatorica*, 38(4):779–801, 2018.
4. H. Broersma, F. V. Fomin, P. A. Golovach, and D. Paulusma. Three complexity results on coloring P_k -free graphs. *European Journal of Combinatorics*, 34(3):609–619, 2013.

5. M. Chudnovsky. Coloring graphs with forbidden induced subgraphs. *Proc. ICM 2014*, IV:291–302, 2014.
6. R. M. Damerell. On Moore graphs. *Proc. Cambridge Philos. Soc.*, 74:227–236, 1973.
7. K. Edwards. The complexity of colouring problems on dense graphs. *Theoretical Computer Science*, 43:337–343, 1986.
8. T. Emden-Weinert, S. Hougardy, and B. Kreuter. Uniquely colourable graphs and the hardness of colouring graphs of large girth. *Combinatorics, Probability and Computing*, 7(04):375–386, 1998.
9. P. A. Golovach, M. Johnson, D. Paulusma, and J. Song. A survey on the computational complexity of colouring graphs with forbidden subgraphs. *Journal of Graph Theory*, 84(4):331–363, 2017.
10. P. A. Golovach, D. Paulusma, and J. Song. Coloring graphs without short cycles and long induced paths. *Discrete Applied Mathematics*, 167:107–120, 2014.
11. A. J. Hoffman and R. R. Singleton. On Moore graphs with diameter 2 and 3. *IBM Journal of Research and Development*, 5:497–504, 1960.
12. I. Holyer. The NP-completeness of edge-coloring. *SIAM Journal on Computing*, 10(4):718–720, 1981.
13. T. R. Jensen and B. Toft. *Graph coloring problems*. John Wiley & Sons, 1995.
14. T. Klimošová, J. Malík, T. Masařík, J. Novotná, D. Paulusma, and V. Slívová. Colouring $(P_r + P_s)$ -free graphs. *Proc. ISAAC 2018, LIPIcs*, 123:5:1–5:13, 2018.
15. J. Kratochvíl, Zs. Tuza, and M. Voigt. New trends in the theory of graph colorings: choosability and list coloring. *Proc. DIMATIA-DIMACS Conference*, 49:183–197, 1999.
16. L. Lovász. Coverings and coloring of hypergraphs. *Congr. Numer.*, VIII:3–12, 1973.
17. V. V. Lozin and M. Kaminski. Coloring edges and vertices of graphs without short or long cycles. *Contributions to Discrete Mathematics*, 2(1), 2007.
18. V. V. Lozin and D. S. Malyshev. Vertex coloring of graphs with few obstructions. *Discrete Applied Mathematics*, 216:273–280, 2017.
19. B. Martin, D. Paulusma, and S. Smith. Colouring H -free graphs of bounded diameter. *Proc. MFCS 2019, LIPIcs*, 138:14:1–14:14, 2019.
20. B. Martin, D. Paulusma, and S. Smith. Colouring graphs of bounded diameter in the absence of small cycles. *Proc. CIAC 2021, LNCS*, to appear, 2021.
21. G. B. Mertzios and P. G. Spirakis. Algorithms and almost tight results for 3-colorability of small diameter graphs. *Algorithmica*, 74(1):385–414, 2016.
22. D. Paulusma. Open problems on graph coloring for special graph classes. *Proc. WG 2015, LNCS*, 9224:16–30, 2015.
23. M. Pilipczuk, M. Pilipczuk, and P. Rzażewski. Quasi-polynomial-time algorithm for independent set in P_t -free and $C_{\geq t}$ -free graphs via shrinking the space of connecting subgraphs. *CoRR*, abs/2009.13494, 2020.
24. B. Randerath and I. Schiermeyer. Vertex colouring and forbidden subgraphs – a survey. *Graphs and Combinatorics*, 20(1):1–40, 2004.
25. A. Rojas and M. Stein. 3-colouring P_t -free graphs without short odd cycles. *CoRR*, abs/2008.04845, 2020.
26. T. J. Schaefer. The complexity of satisfiability problems. *Proc. STOC 1978*, pages 216–226, 1978.
27. Z. Tuza. Graph colorings with local constraints - a survey. *Discussiones Mathematicae Graph Theory*, 17(2):161–228, 1997.