

Creativity and Machine Learning: A Survey

GIORGIO FRANCESCHELLI, Alma Mater Studiorum Università di Bologna, Italy

MIRCO MUSOLESI, University College London, United Kingdom, The Alan Turing Institute, United Kingdom, and Alma Mater Studiorum Università di Bologna, Italy

There is a growing interest in the area of machine learning and creativity. This survey presents an overview of the history and the state of the art of computational creativity theories, key machine learning techniques (including generative deep learning), and corresponding automatic evaluation methods. After presenting a critical discussion of the key contributions in this area, we outline the current research challenges and emerging opportunities in this field.

1 INTRODUCTION

The connection between creativity and machines is as old as computer science itself. In 1842, Lady Lovelace, an English mathematician and writer recognized by many as the first computer programmer, issued the so-called “Lovelace’s objection” [232]: the Analytical Engine (the digital programmable machine proposed by Charles Babbage [7]) “*has no pretensions to originate anything, since it can only do whatever we know how to order it to perform*” [157]. Indeed, in the following centuries, several projects and studies concerning the design of machines that able to “originate something” have been carried out [39, 45, 97, 132, 156, 182]. This has led to the emergence of a specialized field in computer science, namely Computational Creativity [32], which concerns the study of the relationship between creativity and artificial systems [44, 245].

In this context, the adoption of Deep Learning (DL) techniques has led to substantial breakthroughs in the recent years. Vast computational power and very large amounts of available data are at the basis of the increasing success of deep generative models (i.e., generative models based on DL [67]). Indeed, generative deep learning technologies have been used to write newspaper articles¹, generate human faces [120] and voices [141], design drugs and proteins [115], and even create artworks sold for a few hundred thousand dollars². However, while it is apparent that current technologies are able to generate impressive outputs, at the same it is also possible to argue that they cannot be considered *creative* in general [20]. In fact, the goal of generative deep learning is to produce synthetic data that resemble real one given in input as close as possible [67]. On the other hand, creativity involves novelty and diversity [168]. While for some problems mere content generation [240] might be sufficient, for other tasks, such as, for example, in the Arts, the ability to create different (but still valuable) outputs is essential.

Goal and contributions of the survey. The goal of this survey is to present and critically discuss the state of the art in generative deep learning from the point of view of machine creativity. Moreover, to the best of our knowledge, this is the first survey that explores how current DL models have been or can be used as a basis for both generation (i.e., producing creative artifacts) and evaluation (i.e., recognizing creativity in artifacts). The contribution of this survey can be summarized as follows. After a brief overview of the meaning and definitions of creativity in Section 2, Section 3 presents an in-depth analysis of generative deep learning through the introduction of a new taxonomy and a critical analysis of machine creativity. Then, several ML-based methodologies to evaluate creativity are presented and discussed in Section 4. Finally, 5 concludes the paper, outlining open questions and research directions for the field.

¹www.theguardian.com/commentisfree/2020/sep/08/robot-wrote-this-article-gpt-3

²www.christies.com/features/a-collaboration-between-two-artists-one-human-one-a-machine-9332-1.aspx

Related surveys. We now provide an overview of other surveys in areas related to the present work. For readers interested in a survey in deep generative models, we recommend [18, 87]; for an analysis of the state of the art in evaluation in computational creativity [130] is an essential reading; for a review concerning AI and creativity in general, we recommend [199]; for a practical view of generative deep learning, we suggest [67]; finally, for an in-depth examination of artistic AI works (also in human-computer co-creations [85]), [160] is a very comprehensive source of information.

2 DEFINING CREATIVITY

Creativity has been studied for decades, and yet, there is no agreement about its definition. More than one hundred definitions have been provided [4, 229], and the number is still growing. In other words, we can say that creativity is a suitcase word, i.e., people conflate multiple meanings into it [161]. Nonetheless, some concepts are nowadays widely accepted. One of them is the possibility of studying creativity from four different perspectives: *person*, *press*, *process*, *product*, i.e., the so-called “four P’s”. These have been studied in computational creativity as well [114]. However, the focus has traditionally been on the *product* dimension. Indeed, the idea is that we study creativity without considering the inner being of the creator (person), the relation with the environment (press) or the process. Even if person, press and process are important, we focus on aspects of creative work in relation to the output (product) itself.

For this reason, we consider Boden’s three criteria for studying machine creativity, defined as “the ability to generate ideas or artifacts that are new, surprising and valuable” [16]. Value and novelty are always considered for creativity in product; surprise is commonly used too [148]. These concepts might be defined in different ways. We underpin our analysis on Boden’s three criteria since they have been widely adopted. Boden also suggests that three forms of creativity can be identified [16] to describe how a novel and surprising product is obtained, therefore linking *process* and *product*. The three forms of creativity are *combinatorial*, *exploratory* and *transformational*. Combinatorial creativity is about making unfamiliar combinations of familiar ideas. Exploratory creativity involves the exploration of the conceptual space defined by the cultural context considered. Transformational creativity involves changing that space in a way that allows for new and previously inconceivable thoughts to become possible.

It is also worth noting that Boden also identified four different questions that emerge when studying computational creativity. These are referred to as Lovelace questions, because many people would respond to them by using Lovelace’s objection. The first question is whether computational ideas can help us understand how human creativity works. The second is whether computers could ever do things which at least appear to be creative. The third is whether a computer could ever appear to recognize creativity. Finally, the fourth is whether computer themselves could ever really be creative, i.e., with the originality of the products only deriving from the machine itself [16]. While the first one is studied in Boden’s work, we will provide the reader with an overview of the techniques that can possibly be used to answer the second (Section 3) and the third (Section 4). With respect to the fourth, Boden states that “*it is not a scientific question as the others are, but in part a philosophical worry about “meaning” and in part a disguised request for a moral political decision*”. We agree with this position, but we hope that our survey will provide the reader with elements for answering the fourth as well.

3 GENERATIVE MODELS

A generative model can be defined as follows: given a dataset of observations X , and assuming that X has been generated according to an unknown distribution p_{data} , a generative model p_{model} is a model able to mimic p_{data} . By sampling from p_{model} , observations that appear to have been drawn from p_{data} can be generated [67]. Generative deep learning

is just the application of deep learning techniques to form p_{model} . However, creativity is not only the ability to perform generation. Considering the definitions presented in Section 2, the generated observations should be considered as novel, surprising and valuable; and the space of solutions should be exploited in a way that is combinatorial, exploratory, or even better, transformational.

In this section, we aim at studying the level of creativity of existing generative deep learning models. We will analyze how the models learn their spaces of solutions, and how the observations are generated from them. A new generative deep learning taxonomy is then introduced based on the different training and sampling techniques at the basis of each method. Figure 1 provides a summary of the seven generative classes considered in this survey.

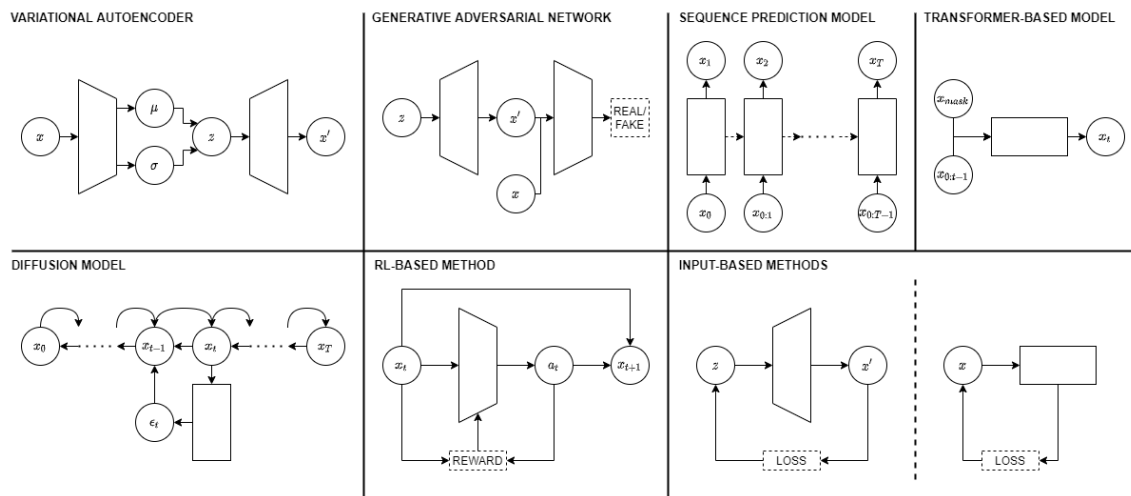


Fig. 1. A schematic view of the seven classes of generative learning methods presented in this survey. Top, left to right: Variational Autoencoder (3.1), with a decoder generating x' given a latent vector z , and an encoder representing x into a latent distribution; Generative Adversarial Network (3.2), with a generator to produce x' , and a discriminator to distinguish between real x and synthetic x' ; Sequence prediction model (3.3), with a generator to output x one token after the other given in input previous tokens; Transformer-based model (3.4), with a Transformer outputting x one token after the other given in input previous tokens, or a masked version of x . Bottom, left to right: Diffusion model (3.5), with a model to learn an error ϵ , which is used to incrementally reconstruct x_0 ; RL-based method (3.6), with a generative model acting (i.e., progressively generating x) by maximizing a given reward function; Input-based methods (3.7), with an input optimized by a given loss. The input can be a vector z given to a generative model to obtain the desired output, or directly a product x becoming the desired output.

Since our focus is on machine creativity, we do not discuss the implementation details of each class of methods in detail. We instead present the *core concepts* at the basis of each class of methods; some relevant *examples of models*; potential *applications* of these creative models; and, finally, a *critical discussion* evaluating the level of machine creativity considering the definitions above.

As a final remark, it is worth noting that we limit our examples to the Arts (e.g., poems, music, or paintings). Indeed, generative learning can be applied to design [75, 153]; game content generation (see [145] for a comprehensive survey); recipes [166, 238]; scientific discovery [40, 206]; and in general to any activity, which has a non-trivial solution [25].

3.1 Variational Auto-Encoders

3.1.1 Core Concepts. A Variational Auto-Encoder [126, 193] is a learning architecture composed by two models: an encoder (or recognition model) and a decoder (or generative model). The former compresses high-dimensional input data into a lower-dimensional representation, and the latter decompresses the representation vector back to the original domain [67]. Classic autoencoders directly learn a latent representation vector. Conversely, VAEs learn a (Gaussian) distribution over the possible values of the latent representation, i.e., the encoder learns the mean and the (log of the) variance of the distribution. The decoder then learns to reconstruct the data by taking in input a vector sampled from the distribution.

VAEs are trained by optimizing two losses: the reconstruction loss and the regularization loss. The former is the log-likelihood of the real data \mathbf{x} from the decoder given their latent vectors \mathbf{z} , i.e., it is the error of the decoder in reconstructing \mathbf{x} . The latter is the KL divergence between the distribution learned by the encoder and a prior distribution, e.g., a Gaussian. Notably, the latent vector \mathbf{z} in input to the decoder is obtained by means of the so-called *reparameterization trick*, i.e., by sampling from the distribution defined by the mean and the variance. Without it, sampling would induce noise in the gradients required for learning [127].

The mathematical derivation of the whole loss has its roots in variational inference [111]. Indeed, VAEs can be seen as an efficient and stochastic variational inference method, in which neural networks and stochastic gradient descent are used to learn an approximation (i.e., the encoder) of the true posterior [70].

In VAEs, similar high-dimensional data are mapped to similar distributions. This makes possible to sample a random point \mathbf{z} in that space, and still obtain a comprehensible reconstruction [67]. On the other hand, VAE tends to produce blurred images [260]. It may also happen that high-density regions under the prior have a low density under the approximate posterior, i.e., these regions are not decoded to data-like samples [5]. Finally, the objective can lead to overly simplified representations without using the entire capacity, obtaining only a sub-optimal generative model [28].

3.1.2 Examples of Models. Several models based on VAEs have been proposed [127] in the recent years. In the following, we focus on those relevant for our discussion on machine creativity.

In β -VAE [89], a β parameter is used to scale the magnitude of the regularization loss, which allows for a better disentanglement of the latent space [29]. Another example is VAE-GAN [133], which merges VAE and GAN [77] (described in the next subsection). This is done by treating the decoder as the generator of the GAN, thus training it by means of the GAN loss function. This leads to the generation of substantially less blurred images. Similarly, ALI (Adversarially Learned Inference) [57] merges VAE and GAN by asking the discriminator to distinguish between pairs of real data (and their latent representations) and pairs of sampled representations and synthetic data. Instead, AAE (Adversarial Autoencoders) [154] substitutes the regularization loss with a discriminative signal, where the discriminator has to distinguish between random latent samples and encoded latent vectors. Another way to address the problem of “sample blurriness” is with PixelVAE [83], where the autoregressive PixelCNN [234, 235] is used as the decoder. A different decoder architecture has been also used in [19]. To deal with sequential data like texts, where the generation requires more steps, the encoder learns to produce a latent representation of a sentence, while the RNN-based decoder learns to reproduce it word after word. However, VAE can also generate text by means of convolution and deconvolution [208].

To solve the problem of low-density regions, the authors of [5] propose an energy-based model called noise contrastive prior (NCP), trained by contrasting samples from the aggregate posterior to samples from a base prior. Finally,

another interesting model is VQ-VAE (Vector Quantised-VAE) [236], in which the encoder outputs discrete, rather than continuous, codes, and the prior is learnt rather than being static.

3.1.3 Applications. VAEs can be used for semi-supervised classification to provide an auxiliary objective, improving the data efficiency [125, 147]; to perform iterative reasoning about objects in a scene [61]; to model the latent dynamics of an environment [243].

Of course, VAEs have also been used to generate synthetic data, including for conditional generation. For example, a layered foreground-background generative model can be used to generate images based on both the latent representation and a representation of the attributes [251]. In [86] the latent space of a VAE is trained on chemical structures by means of gradient-based optimization towards certain properties (see 3.7). AAEs have also been applied to the same problem [116]. Finally, another interesting application of VAE is DRAW [80]. DRAW constructs scenes in an iterative way, by accumulating changes emitted by the decoder (then given to the encoder in input). This allows iterative self-corrections and a more natural form of image construction. RNNs and attention mechanism are used to consider previous generations and to decide at each time-step where to focus attention, respectively.

3.1.4 Critical Discussion. Models based on VAEs can be considered as an example of *exploratory* creativity. The latent space is learned with the goal of representing data in the best accurate way. The random sampling performed during generation is therefore an exploration of that space: regions not seen during training can be reached as well, even though they can lead to poor generation [5] and some more complex variants may be needed, as discussed. On the other hand, there is no guarantee that the results obtained will be valuable, novel or surprising. There is no guarantee that the generation from random sampling is of good quality, or diverse from training data. Indeed, given their characteristics, VAEs discourage novelty in a sense. Notably, diversity could in theory be achieved using VAEs and gradient-based optimization techniques, such as those presented in [86], with novelty and surprise as target properties. We will discuss these aspects in Section 3.8 in more details.

3.2 Generative Adversarial Networks

3.2.1 Core Concepts. A Generative Adversarial Network (GAN) [77] is an architecture composed by two networks: a generative model and a discriminative model. The latter learns to distinguish between real samples and samples generated by the former. In parallel, the former learns to produce samples from random noise vector such that they are recognized as real by the latter. This competition drives both models to improve their methods, until the generated samples are indistinguishable from the original ones.

The adversarial training allows the generator to learn to produce seemingly real samples from random noise without being exposed to data. The simplicity of the idea and the quality of results are at the basis of the success of GANs. However, few limitations exist. For instance, GAN can suffer from mode collapse, where the generator only learns to produce a small subset of the real samples [159]. In addition, the latent space of random inputs is typically not disentangled and it is necessary to introduce constraints in order to learn an interpretable representation [123].

3.2.2 Examples of Models. The number of variants proposed is still growing³. An in-depth survey on GANs is [81]. Indeed, several refinements have been proposed in the past years, such as using deep convolutional networks [185] or self-attention [254], incrementally growing the networks [119], or by scaling the model parameters [23]. In the following, we present examples that are relevant to the the problem of machine creativity.

³For an exhaustive and constantly updated list of GAN papers see for example: <https://github.com/hindupuravinash/the-gan-zoo>

The problem of non-meaningful representation has been addressed in different ways. For instance, InfoGAN [35] adds a latent code c to z . An auxiliary model learns to predict c given the sample generated by means of it. In this way, it can learn disentangled representations in a completely unsupervised manner. Another possibility is BiGAN [53]. In order to include an inverse mapping from data to latent representation, an encoder is added to the architecture. The discriminator is then trained to distinguish between pairs of random noise and synthetic data and pairs of real data and latent encoding. It is also possible to condition the generation by means of a target content [176], a text [191], or even an image [101]. In order to do so, it is sufficient to use the conditional information as input for both generator and discriminator [162]. Similarly, image-to-image translation is possible also without paired datasets. CycleGAN [262] trains two generators (from one domain to another, and vice-versa) so that each of them produces images both from the target domain and correctly reconstructed by the counterpart.

In StyleGAN [121, 122], the generator architecture is re-designed in order to control the image synthesis process. The style of the image is adjusted at each layer based on the latent code (the specific intermediate code to control each layer is provided by a non-linear mapping network). This allows for automatic separation of high-level attributes from stochastic variations in the generated images. It also allows for mixing regularization, where two latent codes are used alternatively to guide the generator. StyleGAN-V [213] builds on top of it to learn how to produce videos by only using few frames of it. To generate longer and more realistic motions, a two-stage approach can be used as well: first, a low-resolution generator is adversarially trained on long sequences; then, a high-resolution generator transforms a portion of the produced, low-resolution video in a high-resolution one [24].

Finally, it is also worth mentioning variants that adapt GANs to sequential tasks (e.g., text generation). Since GANs require the generator to be differentiable, they cannot generate discrete data [76]. However, several techniques have been proposed to avoid this problem. One possibility is to transform the discrete generation into a continuous one. Music can indeed be processed like an image by considering its waveform (as in WaveGAN [52] and GANSynth [60]) or its musical score composed of tracks and bars (as in MuseGAN [54]). Music in a desired style can be obtained through conditional inputs. Another possibility is to consider a soft-argmax function as an approximation of the inference for each step [257]. TextGAN [258] uses it together with feature matching to learn the production of sentences. In place of the discriminative signal, it uses the difference between the latent feature distributions of real and of synthetic sentences learned by the discriminator. Another solution is to transform the GAN into a Reinforcement Learning (RL) framework (see SeqGAN [253]). The generative model is the agent; the tokens generated so far form the state; the selection of the next token to be generated is the action to be performed; and the discriminative signal is the reward. The REINFORCE algorithm [246] can then be used to adversarially train the generative model. Other policy gradient methods can be used as well [63]. The advantage of using RL to adapt GANs to sequential tasks is that the reward function can be composed by more signals: additional objectives can be used as well to embed particular behaviors in the generator. As suggested by ORGAN [82], qualitative heuristics - like tonality and ratio of steps - can be used to improve music generation. On the other hand, the learning signal (i.e., the reward) might be very sparse. A way to solve this issue is to use inverse RL [263]. For example, the authors of [210] use inverse RL to learn a reward function able to associate positive rewards to real state-action pairs, and non-positive rewards to synthetic state-action pairs. Notably, this can help solve mode collapse too. Another variant is LeakGAN [84]. Here, a hierarchical generator composed by a Manager and a Worker is used. The Worker produces a sentence conditioned by a goal vector provided by the Manager. The Worker and the discriminative model are trained following SeqGAN; the Manager is trained to predict goal vectors that lead to the identification of advantageous directions in the discriminative feature space. More specifically, the Manager receives a feature vector from the discriminator, i.e., its last convolutional layer, at each generated token. By means of this *leaked*

information and the hierarchical architecture, LeakGAN produces longer and higher-quality texts. Finally, another possibility is to use Gumbel-softmax relaxation [102, 150], as in RelGAN [173]. CTERM-GAN [15] builds on the latter by also conditioning the generator on an external embedding input. In addition, it uses both a syntactic discriminator to predict if a sentence is correct and a semantic discriminator to infer if a sentence is coherent with the external input.

3.2.3 Applications. GANs have been applied to a variety of practical problems in several application scenarios. They have been widely used for semi-supervised learning [175]; for generating adversarial examples [249] to better train image classifiers [151]; and, in general, in computer vision (see [242] for a detailed discussion). The generative power of GANs has also found its place in recommender systems (see [47]) to generate fashion items; in science and chemistry [158, 167]. Of course, its ability of generating high-quality samples has been exploited in many other areas, from anime design [110] and 3D object modeling [248] to photo-realistic consequences of climate change [207]. Conditional inputs also allow to produce artistic works by controlling stylistic properties like genre [226] or influencer [37].

Finally, the most famous example of the artistic power of GAN is the collection of paintings by Obvious, a French art collective [241]; one of their works has been sold to more than 400,000 dollars⁴.

3.2.4 Critical Discussion. GANs are difficult to evaluate from a machine creativity perspective. The generator does not receive the original works as input, so it samples from a conceptual space that is built only indirectly from them. In rare cases, this can also lead to a different conceptual space (with respect to the original one) and so to transformational creativity, but it typically leads to exploratory creativity. In fact, the goal is to learn to generate artifacts that look as much as possible like the real ones, so the loss function itself makes it working with exploratory creativity. Products are valuable (this is, in a sense, the objective), but there is no guarantee that they will also be new and surprising. Nonetheless, it seems possible to extend a GAN objective to include such properties as well (see Subsection 3.8 for a discussion). Finally, it is worth noting that GANs can be considered *appreciative* [40], since the discriminative network can judge the value of artifacts.

3.3 Sequence Prediction Models

3.3.1 Core Concepts. A sequence prediction model is a generative model that considers generation as a sequential process. It can therefore work in an autoregressive fashion: it predicts the future outcome of the sequence (i.e., the next token) from the previously observed outcomes of that sequence. It is trained to minimize the prediction error for each token in the dataset. At inference time, this simple yet effective approach only requires to produce one token after the other, feeding back to the model what have been produced so far [118]. It makes possible to learn dependencies between tokens in real data, so that the same dependencies can be exploited when generating synthetic data. However, this causes the generation to be highly dependent from real data, e.g., there is the risk of potentially reproducing portions of the training set.

3.3.2 Examples of Models. Several models have been proposed, most of them based on recurrent neural networks (RNN), and especially on long short-term memory (LSTM) [95]. The reason is that RNNs can have internal states based on previous computation: inputs received at earlier time steps can affect the response to the current input. However, RNNs tend to have worse performance with longer sequences [12]. LSTM is a specific RNN architecture that addresses the problem of long-term dependencies.

⁴Fun fact: the sold painting is called *Portrait of Edmond De Belamy* because Belamy sounds like *bel ami*, a sort of French translation of... *Goodfellow*.

RNNs can be used to model joint probabilities of characters (Char-RNN) [118]; words [181]; phonemes [98]; syllables [264]; and even tokens from transcriptions of folk music (Folk-RNN) [222]. They can also receive conditional inputs like the encoding of the previous lines [256]. Richer architectures that combine models focusing on different characteristics of the text can be used to generate more complex text, e.g., poetry based on pentameter and rhymes [134]. Finally, sequence modeling can also be combined with reinforcement learning. For instance, the authors of [105] use a Note-RNN model (based on single notes) trained using Deep Q-Network [164]; as rewards, they consider both the classic loss of sequence prediction models and a reward based on rules of music theory. In this way, the model learns a set of composition rules, while still maintaining information about the transition probabilities of the training data. The advantages of adopting an RL-based approach are described in 3.6.

Due to the difficulties in working with long sequences, results in tasks like narrative generation are affected by a lack of coherence [197]. Many approaches have been proposed to address this problem. For instance, stories can be generated in terms of events [155] (i.e., tuples with subject, verb, object, and an additional *wildcard*) by an encoder-decoder RNN (also known as Sequence-to-Sequence, see [223]); events are modeled by another encoder-decoder RNN. Instead of events, it is also possible to focus on entities (i.e., vectors representing characters) [38].

Sequence prediction models are also used for domains not commonly modeled as sequences, like images. Image modeling can be defined in a discrete way by means of joint distribution of the pixels: the model learns to predict the next pixel given all the previously generated ones. It starts at the top left pixel, and then proceeds towards the bottom right. The two seminal architectures for sequence prediction of images are PixelRNN and PixelCNN [234]. The former is a two-dimensional RNN (based on rows or on diagonals). The latter is a CNN with an additional fixed dependency range (i.e., the filters on the convolution are masked in order to only use information about pixels above and to the left of the current one). To obtain better results, gated activation units can be used in place of the rectified linear units between the masked convolutions; conditional inputs encoding high-level image descriptions can be used as well [235]. Notably, the Gated PixelCNN architecture can also be used for other types of data: WaveNet [233] implements it to generate audio based on the waveform, possibly guiding the generation with conditional inputs.

3.3.3 Applications. As discussed, sequence prediction models have been used to learn to write poems or stories (by predicting a character, syllable, or word after the other); to compose music (by predicting a note or a waveform after the other); to draw images (by predicting a pixel after the other). In general, they can be used for any sort of time series forecasting [144]. They can also be used for co-creativity, as in Creative Help [197].

Despite their simplicity, sequence prediction models are one of the most successful generative techniques. An interesting example is *Sunspring*. It might be considered as the first AI-scripted movie: it was generated by a Char-RNN trained on thousands of sci-fi scripts [160]. The quality of the result is demonstrated by the fact that it was able to reach the top ten at the annual Sci-Fi London Film Festival in its 48-Hour Film Challenge⁵.

3.3.4 Critical Discussion. Sequence prediction models generate outputs that have characteristics of both exploratory and combinatorial creativity. They are based on probabilistic predictions and they are able to generate new outputs in the induced space, but they can also reuse sequences of tokens from different works, combining them together. There is no guarantee that the results will be valuable or novel; and classic methods like RNNs lack surprise [26]. It is worth noting that the possibility of using conditional inputs and being able to work at different levels of abstraction might

⁵Quite interestingly, the AI that wrote *Sunspring* declared that its name was Benjamin, probably in honor of Walter Benjamin, the German philosopher that, already in 1935 [13], understood that new mechanical techniques related to art can radically change the public attitude to art and artists.

indirectly lead to creative outputs, but creativity should then be attributed to the higher-level component (or human, if the input is provided by the user) that is guiding the generation for specific elements and characteristics of the result.

3.4 Transformer-Based Models

3.4.1 Core Concepts. Transformer-based models are neural networks based on the Transformer architecture [239]. They are sometimes referred to as foundation models [17], because of the leading role they have been assuming in language, vision and robotics. A Transformer is an architecture for sequential modeling that does not require recurrent or convolutional layers. Instead, it only relies on a self-attention mechanism [9] that models long-distance context without a sequential dependency. Each layer consists of multi-head attention (i.e., several self-attention mechanisms running in parallel), a feed-forward network, and residual connections. Since self-attention is agnostic to token order, a technique called positional embedding is used to capture the ordering [239].

In principle, a Transformer is nothing more than an autoregressive model: it works by predicting the current token given the previous ones (see 3.3). However, few fundamental differences exist. A Transformer can also be trained by means of masked modeling: some of the input tokens are randomly masked, and the model has to learn how to reconstruct them from the entire context, and not only from the previous portions [48]. The possibility of dealing with very long sequences allows for prompting. By providing a natural language prompt in input, the model is able to generate the desired output, e.g., the answer to a question, a class between a set of classes for a given text, or a poem in a particular style [25]. This is done by simply passing the prompt in input as a text, and then leveraging the model to predict what comes next (e.g., the answer to a question).

These advantages, together with the massive amount of data available, the increasing computational power and the parallelism induced by their architecture, has led Transformer-based models to become the state of the art for several tasks. Nevertheless, the compute costs of the architecture from [239] grow quadratically with the input size.

3.4.2 Examples of Models. Several Transformer-based approaches have been proposed in recent years. The design of specific Transformers for a variety of applications is presented in several surveys (e.g., [17, 124]) and books (e.g., [231]).

The domain mostly influenced by Transformers is natural language processing. BERT [48] is a Transformer-based encoder trained for both predicting the next sentence (in an autoregressive fashion) and reconstructing masked tokens from the context. Several enhanced variations of the original model have been proposed. For example, RoBERTa [146] is able to achieve higher-quality results only by means of masked modeling with more training time and data; ALBERT [131] obtains competitive results with less parameters by using inter-sentence coherence as an additional loss; and DistilBERT [203] uses distillation [90] to train a smaller model to match BERT outputs. The other main approach is that used by the GPT family [25, 183, 186]. Here, a Transformer-based decoder is trained in an autoregressive way by additionally providing the relative task in input. After training, it can be used to perform a wide range of tasks by providing a description or few demonstrations of the task. The effectiveness of this text-to-text generative approach has then been explored by T5 [187]. Many other large language models [198, 211, 255] have been proposed to achieve better results by means of more parameters and computation [214], or data [96]. Mixture of Experts [209] can be used as well in place of feed-forward network to train a larger but lighter model (since only portions of it are used per task), as done by GLaM [56]. Finally, BART [139] ideally merges together a BERT-encoder (trained by corrupting text with an arbitrary noising function) and a GPT-decoder (trained to reconstruct the original text autoregressively). Such an encoder-decoder architecture is able to achieve state-of-the-art results in machine translations, as well as in other text-to-text tasks.

Transformer-based models have been used in other domains as well. Few have been proposed for music generation. One of the first examples was Music Transformer [99], which can generate one-minute music in Bach’s style with internal consistency; another remarkable one is Musenet [179], which is able to produce 4-minute musical composition with a GPT-2 architecture; and, finally, it is worth mentioning Jukebox [49], which can generate multiple minutes of music from raw audio by training a Sparse Transformer [36] (i.e., a Transformer with sparse factorization of the attention matrix in order to reduce from quadratic to linear scaling) over the low-dimensional discrete space induced by a VQ-VAE. Conditioning is always considered by means of genre, author, or instruments. Another important application domain is video-making. ViViT [6] generates videos using classic Transformer architectures; VidTr [259] achieves state-of-the-art performance thanks to standard deviation-based pooling method; and VideoGPT [250] does so by learning discrete latent representations of raw video with VQ-VAE, and then training a GPT autoregressively.

Transformers have been highly influential in computer vision too. The first model was Image Transformer [178]. It restricts the self-attention mechanism to attend to local neighborhoods, so that larger images can be processed. Class-conditioned generation is also supported, by passing the embedding of the relative class in input. To avoid restricting self-attention to local neighborhoods, Vision Transformer [55] divides an image into fixed-size patches, linearly embeds each of them, adds position embeddings, and then feeds the resulting sequence of vectors to a standard Transformer encoder. Masked Autoencoders (MAE) [88] instead uses an encoder-decoder architecture based on Transformers trained with masked image modeling (i.e., to reconstruct randomly masked pixels). A BERT adaptation to images called BEiT [11] has also been proposed. Masked image modeling has also been used together with classic autoregressive loss [33]. Conversely, Vector Quantised-GAN (VQGAN) [62] allows a Transformer to be based on vector quantization. A GAN learns an effective codebook of image constituents. To do so, the generator is implemented as an auto-encoder; vector quantization is applied over the latent representation returned by the encoder. It is then possible to efficiently encode an image in a sequence corresponding to the codebook-indices of their embeddings. The Transformer is finally trained on that sequence to learn long-range interactions. These changes also allow to avoid quadratic scaling, which is intractable for high-resolution images. Finally, also DALL-E [184] takes advantage from a discrete VAE. To generate images based on an input text, it first learns a discrete image encoding; it concatenates the input text embedding with the image encoding; it learns autoregressively on them. DALL-E becomes then able to generate a variety of text-conditioned images. CogView implements a similar architecture [51].

Finally, Transformer-based models have also been used in multimodal setting, in which the data sources are of different types. A survey can be found in [224]. The first examples of these systems consider text and images together as output of the Transformer architecture. By aligning their latent representations, images and texts can be generated by Transformer-based decoders given a multimodal representation. For instance, CLIP [184] has an image encoder pre-trained together with a text encoder to generate a caption for an image. ALIGN [108], based on similar mechanisms, is able to achieve remarkable performance through a training based on a noisier dataset. In [230] the authors propose a frozen language model for multimodal few-shot learning: a vision encoder is trained to represent each image as a sequence of continuous embeddings, such that the frozen language model prompted with this embedding can generate the appropriate caption. In [64] the authors present BriVL, which performs multimodal tasks by learning from weak semantic correlation data. Finally, there is a trend toward even more complex multimodal models. For example, VATT [3] learns to extract multimodal representations from video, audio and text; instead, Gato [192] serializes all data (e.g., text, images, games, other RL-related tasks) into a flat sequence of tokens that is then embedded and passed to a standard large-scale language model.

3.4.3 Applications. Transformer-based large language models can be used for almost any NLP task, including text summarization, generation and interaction. In order to do so, the model can be used as a frozen model (i.e., by providing latent representations in input to other models); can be fine-tuned for the specific objective; can be exploited with zero-shot, one-shot or few-shot setting by prompting the task or few demonstrations in input. Transfer learning can instead be used to perform image classification by means of Transformer-based models trained on images. Other domain-specific techniques can be used as well: for instance, PlotMachines [190] learns to write narrative paragraphs not by receiving prompts, but by receiving plot outlines and representations of previous paragraphs.

From a generative learning perspective, Transformers have shown impressive performance in producing long sequences of texts and music, as well as in generating images based on input text. However, they have not successfully applied to only these data sources. For instance, AlphaFold uses a Transformer architecture to predict protein structure [115]; RecipeGPT to generate recipes [135]; and GitHub Copilot to help write code [34].

3.4.4 Critical Discussion. Given the fact that the Transformers can be considered as an evolution of sequence prediction models, the observations made for that class of models (see Subsection 3.3) apply also for them. However, the inherent characteristics of their architecture allows for larger models and higher-quality outputs, which are also able to capture a variety of dependencies of text and across data sources. More in general, a broader conceptual space is induced. This means that domain-specific tasks might be addressed by means of solutions outside or at the boundary of the sub-space linked with that domain. Moreover, possibly also through a careful use of inputs (see Subsection 3.7), their adoption might lead to transformational creativity. As far as Boden’s criteria are concerned, there is no guarantee that outputs of Transformer architecture would be valuable, novel, or surprising.

3.5 Diffusion Models

3.5.1 Core Concepts. Diffusion models are a family of methods able to generate samples by gradually removing noise from a signal [217]. The most representative approach is the Denoising Diffusion Probabilistic Model (DDPM) [91]. An image \mathbf{x}_0 is corrupted by gradually adding noise until obtaining an \mathbf{x}_T from a pre-defined distribution; the model then has to reverse the process. Each timestep t corresponds to a certain noise level; \mathbf{x}_t can be seen as a mixture of \mathbf{x}_0 with some noise ϵ whose ratio is determined by t . The model learns a function ϵ_θ to predict the noise component of \mathbf{x}_t by minimizing the mean-squared error. \mathbf{x}_{t-1} is then obtained from a diagonal Gaussian with mean as a function of $\epsilon_\theta(\mathbf{x}_t, t)$, and with variance fixed [91] or learned [172]. At inference time, a diffusion model can generate a new sample by starting from pure random noise. The generation can also be conditioned by simply modifying the noise perturbation so that it depends on the conditional information.

This process is close to the one followed by score-based generative models [218, 219]. Instead of noise, here a model is trained to learn the score, i.e., the gradient of the log probability density with respect to real data. Samples are then obtained by using Langevin dynamics [244]. Despite the differences, they can anyway be considered diffusion models (both of them can be seen as specific, discrete cases of Stochastic Differential Equations [220]).

3.5.2 Examples of Models. In order to generate higher-quality images and to allow text-to-image generation, a variety of effective methods for conditioning have been proposed. A possibility is to use classifier guidance [50]: the diffusion score (i.e., the added noise) includes the gradient of the log likelihood of an auxiliary classifier model. An alternative is classifier-free guidance [93]: to avoid learning an additional model, a single neural network is used to parameterize two diffusion models, one conditional and one unconditional; the two models are then jointly trained simply by randomly setting the class for the unconditional model. Sampling is finally performed using a linear combination of the conditional

and unconditional score estimates. GLIDE [171] demonstrates how classifier-free guidance can be effectively used to generate text-conditional images. In addition, it shows how diffusion models can be used for image editing by fine-tuning in order to reconstruct masked regions. Performance improvement can be obtained by means of a cascade of multiple diffusion models performing conditioning augmentation [92]. Finally, DALL-E 2 [188] generates images by conditioning with image representations. At first, it learns a prior diffusion model to generate possible CLIP image embeddings from a given text caption, i.e., conditioned by its CLIP text embedding. Then, a diffusion decoder produces images conditioned by the image embedding. Imagen [200] uses instead a cascaded diffusion decoder, together with a frozen language model as text encoder to increase the quality of outputs.

Although the approach is particularly suitable to images, applications to other data sources have been developed as well. For instance, DiffWave [128] and WaveGrad [34] use diffusion models to generate audio. They overcome the continuous-discrete dichotomy by working on waveform. Another possibility is to use an auto-encoder like MusicVAE [196] to transform the sequence into a set of continuous latent vectors, on which training a diffusion model [163]. Finally, diffusion models for video have also been proposed, based on a novel gradient-based conditioning method [94].

3.5.3 Applications. Diffusion models have been introduced very recently and so far, they have been used to generate audio, music and video, as well as to generate and edit images conditioned on input text. We expect applications to other data sources in a near future. Indeed, they lead to higher-quality outputs with respect to the previous state-of-the-art models. In particular, DALL-E 2 has been able to produce images from textual instructions with superior fidelity and variety.

3.5.4 Critical Discussion. Diffusion models learn a mapping between real images and a Gaussian latent space. Because of this, they are an example of exploratory creativity: they randomly sample from that space, and then they possibly navigate it in the direction imposed by conditional inputs. There is no guarantee that the results will be valuable, novel or surprising, even though these approaches are able to generate outputs characterized by a high variety. As already argued, novelty and surprise may only arise due to the conditioning input (for example, a human describing a novel combination of elements), i.e., the model is not imaginative on its own.

3.6 Reinforcement Learning-Based Methods

3.6.1 Core Concepts. With Reinforcement Learning (RL)-based methods, we aim to indicate all the generative models whose training relies on maximizing a reward. These models are based on the architectures introduced so far, e.g., they can be GANs or autoregressive models. The difference is that they are not (only) trained to fool the discriminative part, or to reduce prediction error. The typical framework considers the generative model as the agent; each action causes a modification to the current product, i.e., the state; and the agent learns a policy that maximizes the cumulative reward. The reward can therefore be used to impose desired behavior to the generative model. The RL-based approach can be implemented for the entire training, as well as for fine-tuning a pre-trained model.

3.6.2 Examples of Models. We have already introduced a fully RL-trained model in Subsection 3.2: ORGAN [82]. Here, RL is also used to provide additional learning signals, i.e., additional rewards from specific-domain objectives. Also [252] follows this path by using rewards like fluency, coherence, meaningfulness and overall quality to generate poems. Another possibility is to use the metrics used at test time (e.g., BLEU or ROUGE) [8, 189]. Instead, RL-DUET [109] casts online music accompaniment generation as a RL problem with an ensemble of reward models, i.e., autoregressive models trained with or without the whole context, and with or without the human-produced counterpart. In this way,

inter-coherence (between human and machines) and intra-coherence can be obtained. Finally, Intelli-Paint [212] can paint in human style by using a sequential planner that learns a painting policy to predict vectorized brushstroke parameters from the current state.

RL can also be used to fine-tune a pre-trained generative model. Doodle-SDQ [261] at first learns to draw simple strokes by supervised learning; then, it improves its generation by means of rewards about similarity, color, and line movement. Conversely, the authors of [225] suggest to consider a pre-trained LSTM language model as a policy model. Fine-tuning then aims at maximizing the probability that a given event occurs at the end of the narrative. RL Tuner [106] uses RL to fine-tune a Note-RNN to produce music that follows a set of music theory rules. To avoid forgetting note probabilities learned from data, the probability value returned by a copy of the pre-trained Note-RNN can be used as an additional reward. Sequence Tutor [104] generalizes this idea of learning a policy that trades off staying close to the data distribution while improving performance on specific metrics. Finally, also the authors of [129] suggest to fine-tune a language model by mixing up likelihood of training data and specific rewards, e.g., repetition minimization.

3.6.3 Applications. As seen, RL-based models can be used to fully train or fine-tune generative models for different tasks; ideally, for any task that could benefit from domain-specific objectives. This is the case of music and molecule generation [82, 104], but also of dialogue generation [140] and painting [100]. In addition, the sequential nature of RL can help as well in all the tasks requiring to deal with new directives during generation (e.g., music interaction).

3.6.4 Critical Discussion. The creativity evaluation of RL-based models depend on how the agent is implemented and which rewards are considered. The learned space of solutions depends on the used rewards (and on the pre-training technique in case of fine-tuning). They typically contain an adversarial signal or the likelihood with respect to training data; thus, combinatorial or exploratory creativity is obtained. However, additional rewards can have the effect of transforming that space (see Subsection 3.8). As far as Boden’s criteria are concerned, value is typically ensured by some qualitative domain-specific reward. Novelty and surprise might be achieved as well by means of specific rewards; however, it is not the case of current models. Interestingly, the common presence of a value function (e.g., a critic network) can make them appreciative, as requested by the creative tripod [40].

3.7 Input-Based Methods

3.7.1 Core Concepts. The last class of methods we consider in our analysis is not about a different generative model. On the contrary, it is about a different way to sample results from (pre-trained) generative models, namely by means of its inputs. Two different approaches can be used. The first is about carefully selecting or optimizing the input to a generative model (e.g., the latent vector or the text prompt), so that to obtain the desired output. The second approach is about optimizing the input, so that it directly becomes the desired output. The used losses are based on features learned by neural networks.

3.7.2 Examples of Models. The first possibility is to carefully modify the input of a generative model, until the output matches desired properties. The main example is VQGAN-CLIP [46]. Given a text description, VQGAN [62] produces a candidate image from a random latent vector; the vector is then optimized by minimizing the distance between the embeddings of the description and the candidate image. Both embeddings are computed using CLIP [184]. Variants can be implemented as in Wav2CLIP [247], where an audio encoder is learned to match the CLIP encoders so that VQGAN-CLIP can be used from raw audio; or as in music2video [103], where videos are generated from audio a frame after the other by both minimizing distance between subsequent frames, and distance between image and music

segment embeddings by Wav2CLIP. Finally, image generators like VQGAN can also be exploited in other ways, i.e., with binary-tournament genetic algorithm [66] or more complex evolution strategies [227]. Another possibility is to optimize the input so that the generated output maximizes a target neuron of an image classifier [170]. This helps generate what that neuron has learned. The desired latent vector can also be produced by an additional model [169].

The second solution is prompt tuning. Prompt tuning is about producing prompts via backpropagation; the optimized prompts can then condition frozen language models in order to perform specific tasks without having to fine-tune them [137]. An additional model can be trained to output the desired prompt as well [138].

The third possibility is to optimize the input so that to transform it into the desired output. DeepDream [165] generates “hallucinated” images by modifying the input in order to maximize the output of a certain level from a pre-trained classifier. Also artistic style transfer is based on the same idea. Given an input image and a target image, the input image is modified by means of both style and content losses thanks to a pre-trained classifier. The content loss is minimized if the current and the original input images cause the same outputs from the hidden layers. The style loss is minimized if the current and the target images have the same pattern of correlation between feature maps in the hidden layers [72]. Control over results can be improved by considering additional losses about colour, space, and scale [73].

3.7.3 Applications. Input-based methods can be used with any generative model to produce the desired output. With language models, they can exploit their generality in several specific tasks without fine-tuning them. With image generators, they can obtain drawings adherent to given descriptions, or high-quality but yet peculiar paintings like colourist [66], abstract [227] or alien [215] artworks. Videos can be generated too⁶, and we believe applications to other domains are yet to come. Both types of input-based methods can be used not only to produce desired outputs or to transfer styles; they can also be used to better analyze what it is inside the network [170, 177].

3.7.4 Critical Discussion. Since input-based methods are applied on pre-trained generative models, the space of solutions in which they work is the one induced by those models, i.e., the common spaces we can derive from real data. Nonetheless, some techniques may be able to cause productions that are outside that space or at its boundaries, i.e., to cause transformational creativity. This can especially happen if the model is general, and the output for a specific task is not only sampled from the sub-space of solutions for that task (e.g., with prompt tuning over a language model).

Input-based methods are also valuable: the input optimization itself is typically guided by some sort of qualitative loss. On the other hand, they are not explicitly novel or surprising (even though the results might seem so). However, nothing prevents to optimize the loss in such directions (see 3.8).

3.8 Practical Assessment of Creativity-Oriented Methods

We conclude this analysis of generative models with a discussion of how these models might improve in order to increase their *creativity* according to Boden’s definition. A straightforward way to obtain novel and surprising outputs is to train a generative model by means of novelty and surprise objectives. This is the core idea behind CAN (Creative Adversarial Network) [58, 204]. In addition to the classic discriminative signal, i.e., a value loss, the generator is also trained to optimize a novelty loss. This is defined as the deviation from style norms, i.e., the error related to the prediction of the style of the generated image. The sum of the two training signals helps the model learn to produce artworks that are different (in style) from the training data. The same approach has been used to develop a creative StyleGAN, i.e., StyleCAN [107]. Another, very simple way to augment the training signal of a generative model with *creativity-oriented*

⁶Also artistic abstract videos can be produced by navigating the latent space: www.jakeelwes.com/project-latentSpace.html

objectives is by means of RL-based methods. The choice of the reward structure is the fundamental element of the design of effective generative reinforcement learning systems. Rewards should teach the model to generate an output with a high level of novelty and surprise. An example is ORGAN [82], where appropriate reward functions can be used.

Another possibility is the development of an input-based method where the input is optimized so that to obtain a product that is valuable, novel and surprising. This may be achieved either by forcing a further exploration of the latent space (e.g., by means of evolutionary search [65]), or by defining appropriate loss functions to perform gradient descent over the input. All these methodologies are also called as *active divergence* [14], since they aim to generate in ways that do not simply reproduce training data. A survey on active divergence can be found in [22].

A different approach is followed by the Composer-Audience architecture [26]. Here, in order to produce surprising artifacts, two models are considered: the Audience, a simple sequence prediction model trained on a given dataset; the Composer, another sequence prediction model trained on a different dataset. In addition, the Composer also receives the next-token expectations from the Audience. It therefore learns when it has to follow its dataset and to diverge from expectations, i.e., when to be surprising. For instance, it can learn to produce jokes by considering non-humorous texts to train the Audience, and humorous texts to train the Composer. Even though this approach is useful to learn how to generate valuable and surprising outputs, it is only applicable when paired datasets are available.

As far as the type of creativity is concerned, there can be ways to achieve a better exploration or even transformation of the space of solutions. For instance, since CAN novelty loss is used during training, it learns to diverge from the distribution of real data. The same is true for RL-based methods with novelty and surprise rewards (especially if training happens from scratch). Finally, a more explored or transformed space may be reached by RL-based methods driven by curiosity [27]. Indeed, an agent can learn to be creative and discover new patterns thanks to intrinsic rewards to measure novelty, interestingness and surprise. This can be done by training a predictive model of the growing data history, and by using its learning progress as the reward for the agent. In this way, it is motivated to make things the predictor does not yet know. If an external qualitative reward is considered as well, the agent should in theory learn to do things that are new, but still valuable [205]. The same idea can also be applied to different techniques like evolutionary strategies [149]. DeLeNoX (Deep Learning Novelty Explorer) [142] uses a denoising autoencoder to learn low-dimensional representations of last generated artifacts. Then, a population of candidate artifacts (in terms of their representation) is evolved through feasible-infeasible novelty search [143] in order to maximize distances between them, i.e., to increase their novelty, while still considering qualitative constraints. Other evolutionary strategies might be considered as well to search the space of artifacts for novel [136] and surprising [79] results.

Table 1 summarizes all the generative approaches discussed in this section, highlighting their characteristics from a machine creativity perspective.

4 CREATIVITY MEASURES

In this section we present different methodologies for evaluating the creativity of artifacts generated by artificial agents. These can typically be extended to human-generated artifacts. For each of them, we explore the core concepts, the dimensions of creativity that are considered and the protocol for evaluation, and, finally, we critically assess them.

The presence of several different proposals can be associated to the fact that it is not always straightforward to determine the “right” question to ask in an evaluation of a creative artifact [71]. This is also highlighted by the absence of creativity evaluation approaches in the GEM (Generation, Evaluation, and Metrics) Benchmark for natural language generation [74]. This is due to the inadequacy of the creative metrics proposed until now. The focus of our overview is on measures that are based on or associated to machine learning techniques. It is worth noting that some of them

Generative family	Type of creativity	Boden’s criteria	Creative tips
VAE	Exploratory	~ Value ~ Novelty ~ Surprise	Creativity-oriented input-based methods
GAN	Exploratory	✓ Value ~ Novelty ~ Surprise	CAN; Creativity-oriented input-based methods
Sequence prediction model	Combinatorial, Exploratory	~ Value ~ Novelty ✗ Surprise	Composer-Audience; Creativity-oriented RL-based methods
Transformer- based models	Combinatorial, Exploratory, Transformational	~ Value ~ Novelty ✗ Surprise	Creativity-oriented prompt tuning or RL-based methods
Diffusion models	Exploratory	~ Value ~ Novelty ~ Surprise	Creativity-oriented input-based methods
RL-based methods	Combinatorial, Exploratory, Transformational	✓ Value ~ Novelty ~ Surprise	Intrinsic rewards; Novelty-based rewards
Input-based methods	Exploratory, Transformational	✓ Value ~ Novelty ~ Surprise	Evolutionary search; Novelty-based optimization

Table 1. Summary of all the methods explained so far, considering their type of creativity; the possible presence of Boden’s criteria; and some practical tips to achieve a higher degree of creativity.

might be calculated without using machine learning, but we will refer to an implementation based on the latter. For an in-depth overview about creativity measures not strictly related to machines, we refer to [201].

Table 2 reports all the evaluation methods considered in this section, highlighting the dimensions they try to capture, their applicability and limitations. We will discuss these aspects in the remainder of this section.

4.1 Lovelace 2.0 Test

4.1.1 Overview. The Lovelace Test (LT) [21] was proposed in 2001 as a *creativity-oriented* alternative to the world-famous Turing Test [232]. More formally, LT is defined as follows:

Definition 4.1. An artificial agent A , designed by H , passes LT if and only if:

- 1) A outputs o ;
- 2) A ’s outputting o is not the result of a fluke hardware error, but rather the result of processes A can repeat;
- 3) H (or someone who knows what H knows, and has H ’s resources) cannot explain how A produced o by appeal to A ’s architecture, knowledge-base, and core functions.

LT provides several insights for understanding and quantifying machine creativity, but it is rather abstract. For these reasons, a 2.0 version has then been proposed [194]. The so-called Lovelace 2.0 Test is defined as:

Definition 4.2. Artificial agent A is challenged as follows:

Name	What evaluates	How evaluates	Applicability	Limits
Lovelace 2.0 Test	What evaluators state creativity is	Mean number of challenges per evaluator passed	General	<ul style="list-style-type: none"> • Require a massive human intervention
Ritchie's criteria	Quality, novelty, typicality	Human opinions (then elaborated through 18 criteria)	General	<ul style="list-style-type: none"> • Require human evaluation • Require to state thresholds • No innovation definition
FACE	Tuples of generative acts	Volume of acts, number of acts, quality (through aesthetic measure)	General	<ul style="list-style-type: none"> • Not a punctual method • Definition of aesthetic measure left to the user
SPECS	What we state creativity is	Identification and test of standards for the creativity components	General	<ul style="list-style-type: none"> • More a framework for evaluation method definition than a real method
Creativity implication network	Value, novelty	Similarity between works (considering subsequent works for value and previous works for novelty)	General	<ul style="list-style-type: none"> • No chance to correctly compute creativity for last works • Wrong creativity and time-positioning correlation
Chef Watson (assessment part)	Novelty, quality	Bayesian surprise, smell pleasantness regression	Specific (recipes)	<ul style="list-style-type: none"> • Require human ratings of pleasantness
DARCI	Art appreciation	Neural network to associate image features and description	Specific (visual art)	<ul style="list-style-type: none"> • Not based on product • Consider just one of the creative tripod
PIERRE - Evaluation part	Novelty, quality	Count of new combinations; user ratings	Specific (recipes)	<ul style="list-style-type: none"> • Require user ratings over ingredients
EVE'	Feelings, meanings	Negative log of prediction and posterior probability	General	<ul style="list-style-type: none"> • Require a way to explain • Value only through meaning
Common model of creativity for design	Novelty, value, surprise	K-Means on a description space and a performance space; degree of violation of anticipated patterns	Specific (design)	<ul style="list-style-type: none"> • Require to define attribute-value pairs • Require to define clustering parameters
Regent-Dependent creativity metric	Novelty, value	Bayesian surprise and synergy	General	<ul style="list-style-type: none"> • Require to define and extract features
Unexpectedness	Novelty, surprise, transformativity	Possibility to update, and degree of violation of expectations	General	<ul style="list-style-type: none"> • Not take care of value
Essential criteria of creativity	Value, novelty, surprise	Sum of performance variables, distance between artifacts and between real and expected artifact	General	<ul style="list-style-type: none"> • Require to define performance variables • Require to define clustering parameters
Computational metrics for storytelling	Novelty, rarity, recreational effort, surprise	Distance between dominant terms, consecutive fragments/clusters of terms	Specific (storytelling)	<ul style="list-style-type: none"> • Require to define domination • Require to define clustering parameters

Table 2. Summary of creativity evaluation methods and their characteristics.

- 1) A must create an artifact o of type t ;
- 2) o must conform to a set of constraints C where $c_i \in C$ is any criterion expressible in natural language;
- 3) a human evaluator h , having chosen t and C , is satisfied that o is a valid instance of t and meets C ;
- 4) a human referee r determines the combination of t and C to not be unrealistic for an average human.

4.1.2 *Dimensions of Creativity Considered.* Since the evaluation depends on the tests performed by the human evaluators, the dimensions of creativity considered by it might vary greatly. This allows for considering value, novelty and surprise, as well as domain-specific dimensions.

4.1.3 *Protocol for Evaluation.* The Lovelace 2.0 Test can be used to quantify the creativity of an artificial agent - by means of its artificial productions - considering a set H of human evaluators. With n_i as the first test performed by evaluator $h_i \in H$ not passed by the agent, the creativity of the artificial agent can be expressed as the mean number of challenges-per-evaluator passed: $\sum_i \frac{(n_i)}{|H|}$.

4.1.4 *Critical Examination.* This methodology represents an effective way to measure creativity, since it is ideally applicable to any field and it is quantitative. Even though it is not based on machine learning, the latter may be used in principle for performing (some of) the tests. This methodology requires considerable human intervention, and, for this reason, it cannot be used for automatic evaluation.

4.2 Ritchie's Criteria

4.2.1 *Overview.* Ritchie's Criteria [195] are a set of criteria for evaluating the extent to which a program has been creative (or not) in generating artifacts. These criteria are based on three main factors: novelty, quality and typicality. [195] contains a proposed series of criteria, but according to the authors they should only be intended as a "repertoire".

4.2.2 *Dimensions of Creativity Considered.* Ritchie's Criteria are based on three factors: quality, typicality, novelty. Quality measures how much an item is a high quality example of its genre. Typicality measures how much an item is an example of the artefact class in question. Novelty measures the dissimilarity of an item with respect to existing examples in its class. Quality and typicality are collected using human opinions about the produced artifacts or using "measurable" characteristics about, for instance, syntax and metric (for poetry generator). On the other hand, novelty is intended as the sum of "untypicality" (the opposite of typicality) and innovation.

4.2.3 *Protocol for Evaluation.* The computation of the criteria is based on the analysis of the result set of produced artifacts, alongside with the inspiring set (composed by artifacts of that field used during training and/or generation). It also requires the definition of quality and typicality indicators for the considered artifacts. More specifically, the proposed criteria are: the average of typicality or quality over the result set; the proportion of items with good typicality score, which is also characterized by high quality; the proportion of the output that falls into the category of untypical but high-valued; the ratio between untypical high-valued items and typical high-valued items; the proportion of the inspiring set that has been reproduced in the result set. The assessment of these criteria is performed before on the entire result set and then only on the subset not containing any item from the inspiring set.

4.2.4 *Critical Examination.* These measures represent a promising way of evaluating creativity, but their application does not appear as straightforward. In fact, they do not clearly specify how to measure novelty in terms of innovation. In addition, all the measures require a large number of thresholds to be set (and results are very sensitive to such thresholds [180]). The criteria for the selection of these thresholds are not trivial per se. It is difficult to identify a

general methodology for setting their values. Finally, the collection of correct human opinions (in terms of consistency of measurement methodology, audience selection, etc.) is not a trivial task either.

4.3 FACE

4.3.1 Overview. In [42] the authors introduce FACE as a descriptive model of the creative act of artificial systems. A creative act is considered as a non-empty tuple of generative acts. FACE is designed to provide the assessors with both quantitative and qualitative evaluations.

4.3.2 Dimensions of Creativity Considered. While FACE can be used to evaluate a product as the consequence of a creative act, its focus is on the process. The qualitative evaluation is therefore left to the aesthetic function; the dimensions considered depend in turn on how it has been defined (or generated).

4.3.3 Protocol for Evaluation. More specifically, the FACE model considers a creative act as a non-empty tuple of generative acts of eight possible types: an expression of a concept, i.e., an instance of an (*input, output*) pair produced by the system; a method for generating expressions of a concept; a concept; a method for generating concepts; an aesthetic measure; a method for generating aesthetic measures; an item of framing information, i.e., an additional information or description regarding the generative act; a method for generating framing information. It is then possible to use it in a quantitative way (how many acts are produced); in a cumulative way (how many types of acts are considered); and in a qualitative way (by means of the defined aesthetic measure).

4.3.4 Critical Examination. The FACE model represents a very comprehensive set of concepts and methodologies for assessing machine creativity. However, one of the most challenging aspects of FACE is the definition of the aesthetic measure, which is not specified; potentially, it might be defined by the system itself, counting as a potential creative act. This may award systems performing self-evaluation, i.e., guiding their generation based on learned objectives. This in theory might mean the systems are incentivized to develop their own tastes, which is an important part of human creativity.

4.4 SPECS

4.4.1 Overview. The Standardized Procedure for Evaluating Creative Systems (SPECS) [112] is a framework for the evaluation of creative systems, which can easily be adapted to many different potential domains. The framework is based on the definition of fourteen “components” used for the evaluation of machine creativity.

4.4.2 Dimensions of Creativity Considered. The fourteen key components of SPECS are: active involvement and persistence; dealing with uncertainty; domain competence; general intellect; generation of results; independence and freedom; intention and emotional involvement; originality; progression and development; social interaction and communication; spontaneity/subconscious processing; thinking and evaluation; value; variety, divergence, experimentation. However, SPECS does not constrain researchers to use all of them; moreover, domain-specific components can be added as well.

4.4.3 Protocol for Evaluation. SPECS is composed of three steps. The first one requires to provide a definition of creativity that the system should satisfy, using the suggested components, and potentially other domain-specific ones. The second requires to specify the standards to be used to evaluate such components. Finally, the third requires to test the system against the standards and to report the results.

4.4.4 Critical Examination. This is an effective framework for working with computational creativity, but it cannot be a practical evaluation method. Its effectiveness is strongly dependent on which components are considered and how they are evaluated for each specific task. In [113] the author discusses how SPECS satisfies Ritchie’s criteria and it is more comprehensive and expressive than the FACE model and the creative tripod [40] (according to which a creative system should exhibit skills, appreciation and imagination) in a meta-evaluation test. They also use a human opinion survey based on five criteria: correctness, usefulness, faithfulness (as a model of creativity), usability (of the methodology) and generality. SPECS is evaluated considering music improvisation generators and it is also judged by the developers of the generative systems. In particular, the authors show that SPECS can help obtain additional insights on how a generative model works and how it can be improved.

4.5 Creativity Implication Network

4.5.1 Overview. A different method to quantify creativity is based on building an art graph called Creativity Implication Network [59]. Given a set of artworks, a directed graph can be defined by considering a vertex for each artwork. More specifically, an arc connecting artwork p_i to p_j is inserted if p_i has been created before p_j . A positive weight w_{ij} quantifying the similarity score between the two artworks under consideration is associated to each arc. The creativity of an artwork is then derived by means of computations on the resulting graph.

4.5.2 Dimensions of Creativity Considered. This method captures both value and novelty. The value is defined as the influence on future artworks. The novelty is defined as the dissimilarity between the artwork and the previous ones.

4.5.3 Protocol for Evaluation. The derivation of the Creativity Implication Network requires a similarity function to compute the similarity scores; its definition is left to the researchers, but it can be based on ML techniques (as done in the original paper, where computer vision techniques were used). Given the network, the creativity of an artwork p_i depends on the similarity with the previous artworks (higher the similarity, lower the creativity) and with the subsequent artworks (higher the similarity, higher the creativity).

4.5.4 Critical Examination. The Creativity Implication Network represents an effective way to deal with creativity of sets of artworks. It considers both value and novelty, and it allows for using automated techniques in the computation of similarity. On the other hand, two drawbacks should be highlighted. The first one is related to artworks that occupy the position of “leaves” in the graph: if there are not subsequent works in the graph, their creativity would only be based on novelty, and not on value. The second one is more subtle, and it is about time-positioning. As demonstrated by [59], moving back an artwork has the effect of increasing its creativity; however, this appears as conceptually wrong. As discussed in [16], the time location of an artwork is fundamental in the quantification of its creativity. It may happen that, due to the surprise component of creativity, an artwork that appears too *early* might not be considered as surprising, because observers are not able to truly understand it; on the contrary, if it appears too *late*, it might be considered as obvious and not surprising at all. In conclusion, even if this approach is able to correctly capture value and novelty, it is not able to capture the concept of surprise.

4.6 Generate-and-Test Setting

4.6.1 Overview. Generate-and-test setting [228] is a family of methods based on the separation of the generative process in two phases: generation, and evaluation. Assuming that $gen()$ denotes the generative function of the system, and a an artifact generated by the function. Then, a is evaluated by another function $eval(a)$ that has to assess the

degree of creativity of a . If it passes the evaluation, it is outputted by the system. For example, the authors of [238] use this approach to develop a computational creativity system for generating culinary recipes and menus called Chef Watson. [43] describes an augmentation of Painting Fool [41] with DARCI [174] in a generate-and-test setting (i.e., by using The Painting Fool for generation, and DARCI for evaluation). PIERRE [166] is based as well on two models, one for generating recipes by means of a genetic algorithm, and one for evaluating them.

4.6.2 Dimensions of Creativity Considered. The dimensions of creativity considered depend on the specific implementation of the evaluation function. Different evaluation functions have been designed to evaluate, for example, quality and novelty [166, 238] and art appreciation [43]. It is worth noting that, given the generality of the approach, other evaluation functions could be designed to capture other aspects of machine creativity.

4.6.3 Protocol for Evaluation. The protocol for evaluation strictly depends on the specific implementation of the $eval(a)$ function. For instance, Chef Watson [238] uses two measures: flavorfulness for quality, and Bayesian surprise for novelty. Flavorfulness is computed by means of a regression model, built on olfactory pleasantness considering its constituent ingredients. Bayesian surprise [10] is a measure of surprise in terms of the impact of a piece of data that changes a prior distribution into a posterior distribution, calculated applying Bayes' theorem. The surprise is then the distance between posterior and prior distributions. It is worth noting that it has been demonstrated that there exists a mathematical limit in the maximization of quality and novelty when novelty is expressed in terms of Bayesian Surprise [237].

On the other hand, The Painting Fool [41] uses DARCI [174] in place of the evaluation function. DARCI is able to make associations between image features and descriptions of the images learned using a series of artificial neural networks as the basis for the appreciation. It has therefore been used as a sort of artificial art critic to complement The Painting Fool, allowing it to assess the validity of its own creations.

Finally, PIERRE [166] evaluates the generated recipes again using novelty and quality. Novelty is computed by counting new combinations of used ingredients. Quality is based on two NNs that perform a regression of user ratings based on the amount of different ingredients, working at two levels of abstraction.

4.6.4 Critical Examination. The advantage of the generate-and-test setting is that a variety of evaluation functions can be defined. This allows, for instance, to evaluate the generative system by means of Boden's three criteria, while still considering the specific characteristics of the domain of interest. On the other hand, its applicability is not general: as we have seen in the previous section, many generative systems do not follow the proposed setting (e.g., input-based methods use the evaluation to guide the generation, thus merging the two stages).

4.7 Atoms of EVE'

4.7.1 Overview. Even if not strictly related to creativity, [30] proposes an approach to measure aesthetic experience called atoms of EVE', which is based on a probabilistic model of the world to derive expectations and explanation. The authors state that aesthetic arises in two ways: by forming E (*expectation*) while avoiding V (*violation*); and by forming E' (*explanation*) while resolving V.

4.7.2 Dimensions of Creativity Considered. Even if not explicitly considered, the three grounding concepts of Atoms of EVE' strongly intertwine with creativity. Expectation is close to value: it measures how much we are able to understand the object of interest. Violation is close to surprise: it is the unexpectedness of an object at a certain moment. Explanation is again close to value: it measures the intelligibility (i.e., its usefulness). These same considerations have been expressed

by [31], where the author uses EVE' to define a creativity measure based on feelings (i.e., surprise), computed thanks to violation, and meanings (i.e., value), computed thanks to explanation.

4.7.3 Protocol for Evaluation. Expectation is computed as the posterior probability after the occurrence of a given object: it measures how much the prior belief can help explain that object. Violation is instead computed as the unexpectedness of that object. Together with apprehension, which is the unpredictability of the next object (before seeing it), violation returns the *tension*, one of the two fundamental measures of aesthetics. Finally, explanation measures how much the encountered violation can be explained by the posterior belief. Together with expectation, explanation returns a quantification of *pleasure*, the other fundamental measure of aesthetics.

4.7.4 Critical Examination. As observed before, while such a computation for surprise is common, this is not true for value. The focus on explanations provides an interesting way to mathematically define value. However, value is not only about finding meaning, but also about utility, performance and attractiveness [152]; this is not possible through this measure. Finally, novelty is not considered at all.

4.8 Common Model of Creativity for Design

4.8.1 Overview. The authors of [153] propose a model to evaluate creativity in the specific domain of design. In particular, they consider creativity as a relative measure in a conceptual space of potential and existing designs. Designs are represented by attribute-value pairs; and novelty, value and surprise can be used to capture different aspects of creativity in their space.

4.8.2 Dimensions of Creativity Considered. The model proposed by [153] considers all the three dimensions suggested by [16], i.e., novelty, value, and surprise. Novelty is considered as a matter of comparing objects in a descriptive space; it is the degree of difference. Value is related to performance, i.e., utility preferences associated with the attributes of an object. Finally, surprise is linked to violated expectations.

4.8.3 Protocol for Evaluation. The model is based on the analysis of the conceptual space of potential and existing designs defined by all the potential attribute-value pairs. Novelty is evaluated with respect to a description space, i.e., by considering each product as the set of its descriptive attributes. Value is considered with respect to a performance space, i.e., by considering attributes that have utility preferences associated with them. Finally, surprise is based on finding violations of patterns that is possible to anticipate in the space of both current and possible designs. The K-means clustering algorithm is used to organize the known designs by means of their attributes. Then, novelty, value and surprise measures of a new design are obtained looking at the distance to the nearest cluster centroid.

4.8.4 Critical Examination. Even if it targets explicitly the design domain, this approach is able to combine the three dimensions of creativity by Boden. Nonetheless, it is limited by the fact that artifacts have to be described through an attribute-value pair representation. In particular, a large number of features might be needed. Otherwise, we might lose aspects of the artifacts that are fundamental to correctly quantify creativity. Since it is not possible to know the fundamental features in advance, the method requires to enumerate as many features as possible. However, the risk is to define an excessive number of non-informative attributes, making the computation of the metrics too difficult. In fact, the data points become increasingly “sparse” as the dimensionality increases; many techniques (especially the clustering ones) are based on distance, and they may therefore suffer from the curse of dimensionality [221]. Finally, as for classic machine learning techniques, there is the need of manually defining and extracting the chosen features

from unstructured data, which is a time-consuming and potentially prone-to-error activity. A possible way to overcome the problems related to feature extraction and the curse of dimensionality might be the adoption of deep learning techniques, given their effectiveness with unstructured data.

4.9 Regent-Dependent Creativity Metric

4.9.1 Overview. The Regent-Dependent Creativity metric [69] is based on novelty and value. The name comes from the Regent-Dependent Model, a proposed method to describe artifacts as collections of features, i.e., through sets of pairs with a regent (e.g., an action or an attribute) and a dependent (e.g., the specific target or value of the regent), labeled with a value to express the intensity of that pair in that context.

4.9.2 Dimensions of Creativity Considered. As explained above, the Regent-Dependent creativity metric considers novelty and value as dimensions of creativity. In particular, value is dependent on the associations and rules that bond artifacts in a specific context, which defines what is worth of interest, and what is not.

4.9.3 Protocol for Evaluation. Novelty and value are computed through Bayesian surprise (see 4.6.3) and synergy, respectively. In particular, synergy is a metric that captures the cooperative nature of constituent elements of an artifact. It is based on modeling the artifacts as graphs. The vertices are the dependency pairs of the artifact. The edges between pairs exist only if they belong to the same set of synergy, i.e., if they exhibit a better effect together than separately.

4.9.4 Critical Examination. In contrast with the approach described before, the Regent-Dependent metric appears to be of more general applicability. However, only novelty and value are considered, and surprise is missing. In addition, just as detailed in 4.8.4, this method is limited by requiring the definition and the extraction of all the features to compute creativity.

4.10 Unexpectedness Framework

4.10.1 Overview. The authors of [78] suggest that a framework of unexpectedness (i.e., violation of an observer's expectations) can deal with novelty, surprise and domain transformation (also called transformativity). Although they do not claim it can be a measure of creativity on its own, and that value should be added as well, they suggest it can become a vital component in computational creativity evaluation.

4.10.2 Dimensions of Creativity Considered. The authors of [78] suggest that unexpectedness can be used to compute three dimensions of creativity: novelty, surprise and transformativity. Indeed, novelty is about the possibility of violating observer's expectations about the continuity of a domain; if the current model of belief is not applicable for the current artifact, it can be considered as novel. Surprise is instead about the possibility of violating observer's expectations about an artifact. Finally, transformativity is about the possibility of violating observer's expectations about the conceptual space itself (i.e., finding that the rules governing it were not accurate).

4.10.3 Protocol for Evaluation. The unexpectedness framework should allow to model expectation. Notably, expectation should be linked with the socio-cultural context of the observer, since it is the observer that forms expectation, not the domain itself. In particular, an expectation is generated by a prediction about the predicted (i.e., the dependent variables of the artifact) given a condition (i.e., a relationship between the predicted property and some other property of the object) that applies within a scope (i.e., the set of possible artifacts to which the expectations apply). An observation that falls within that scope can then be measured for congruence with respect to that expectation.

4.10.4 Critical Examination. The unexpectedness measure appears to be able to provide researchers and practitioners with a way for deriving novelty and surprise. Notably, it also captures transformativity, clarifying at the same time how *simple* surprise differs from it, i.e., that surprise is related with expectations about a single artifact, while transformativity is related with expectations about the entire domain. However, it requires to define its conceptual space in terms of explicit rules, which can be violated (and so that such a violation can be calculated). In addition, it does not include value in the assessment of machine creativity.

4.11 Essential Criteria of Creativity

4.11.1 Overview. The metric proposed by [152] is based on three components: novelty, value and surprise. It relies on the idea that a creativity metric has to be independent not only from the domain, but also from the producer.

4.11.2 Dimensions of Creativity Considered. The criteria of creativity defined by [152] cover exactly the Boden's three criteria. In particular, novelty is intended as how different the artifact is from known artifacts in its class. Value is quantified considering how the potentially creative artifact compares in utility, performance, or attractiveness to other artifacts in its class. Finally, unexpectedness is defined as the variation from expectation developed for the next new artifact in its class.

4.11.3 Protocol for Evaluation. Novelty is calculated as the distance between the artifact of interest and the other artifacts in its class. The partition in classes is obtained by means of a clustering algorithm. Surprise is calculated considering whether or not the artifact agrees with the expected next artifact in the pattern extracted from recent artifacts. More specifically, it is calculated as the difference between the expected next artifact and the real next artifact. Such a pattern is predicted by a self-supervised neural network; predictions are refined using reinforcement learning to correct the learned trajectory in case of sequential data. Finally, value is calculated as the weighted sum of the performance variables of the artifact. The weights depend on a co-evolutionary algorithm with a fitness function that can change over time in case the current population of artifacts changes.

4.11.4 Critical Examination. The method considers all the three Boden's criteria; it is not linked to a specific domain, or the producer itself; it deals with the evolution of creativity, capturing its volatile nature at the same time. However, in our opinion, it is limited in terms of applicability by the fact it requires the definition of performance variables (similarly to other approaches based on attribute-value pairs, see 4.8.4). Moreover, the setting of the parameters of clustering algorithms at the basis of this method and the definition of distances among artifacts require human fine-tuning.

4.12 Computational Metrics for Storytelling

4.12.1 Overview. For the specific case of storytelling, the authors of [117] propose a set of computational metrics in order to compute evaluation of novelty, surprise, rarity and recreational effort.

4.12.2 Dimensions of Creativity Considered. Novelty and surprise are evaluated according to the standard Boden's definition, while rarity is intended as rare combination of properties and recreational effort as the difficulty to achieve a specific result.

4.12.3 Protocol for Evaluation. Novelty is computed as the average semantic distance between the dominant terms included in the textual representation of the story, compared to the average semantic distance of the dominant terms in all stories. Surprise is computed as the average semantic distance between the consecutive fragments of each story.

Rarity is computed as the distance between the individual clusters of each term in each story and those in the story set. Finally, recreational effort is computed as the number of different clusters each story contains.

4.12.4 Critical Examination. Although value is not considered, the proposed metrics appear to be appropriate to evaluate novelty and surprise. Nonetheless, they suffer from two problems: they are intrinsically domain-specific and they require that all the types of clusters are defined correctly, which is very difficult to ensure in general.

5 OUTLOOK AND CONCLUSION

In this survey, we have provided the reader with an overview of the state of the art at the intersection between creativity and machine learning. Firstly, we have introduced the concept of machine creativity, including key concepts and definitions. Secondly, we have described a variety of generative learning techniques, considering their potential applications and limitations. Finally, we have discussed several evaluation frameworks for quantifying machine creativity, highlighting their characteristics and the dimensions they are able to capture.

Even if the field of machine creativity has witnessed a large interest in the recent years, but there are still several open challenges. First of all, an interesting direction is the exploration of *creativity-oriented* objective functions, to directly train models to be creative, or to navigate the induced latent space to find creative solutions. Another open problem is the definition of techniques for exploring or transforming the space of solutions. A fundamental area is the definition of novel and robust evaluation techniques for both generated and real artifacts. As discussed in 4, deep learning might be used as a basis for the definition of metrics for machine creativity. It is worth noting that there is also an ongoing debate around the role of human versus machine evaluation [130].

Another promising research direction concerns machine interpretation of art [1]. Moreover, machine learning techniques might also be used to investigate psychological dimensions of creativity [2]. There are also foundational questions related to generative deep learning and copyright [68]. For example, it is not clear if machine-generated works could be protected by Intellectual Property, and, if they are, who should be the owner of the related rights [202]. In addition, other problems related to copyright should be considered, such as if and when training over protected work is permitted [216]. Another ongoing important debate is about authorship and the human role in creative fields in the era of AI⁷.

The models and framework discussed in this work show the remarkable potential of generative learning for machine creativity. We hope that this survey will represent a valuable guide for researchers and practitioners working this fascinating cross-disciplinary and trans-disciplinary area.

REFERENCES

- [1] Panos Achlioptas, Maks Ovsjanikov, Kilichbek Haydarov, Mohamed Elhoseiny, and Leonidas Guibas. 2021. ArtEmis: Affective Language for Art. In *2021 IEEE/CVF Conference on Computer Vision and Pattern Recognition (CVPR)* (Nashville, TN). IEEE, 11569–11579.
- [2] Sergio Agnoli, Laura Franchin, Enrico Rubaltelli, and Giovanni Emanuele Corazza. 2019. The Emotionally Intelligent Use of Attention and Affective Arousal under Creative Frustration and Creative Success. *Personality and Individual Differences* 142 (2019), 242–248.
- [3] Hassan Akbari, Liangzhe Yuan, Rui Qian, Wei-Hong Chuang, Shih-Fu Chang, Yin Cui, and Boqing Gong. 2021. VATT: Transformers for Multimodal Self-Supervised Learning from Raw Video, Audio and Text. In *Advances in Neural Information Processing Systems* (Online), Vol. 34. Curran Associates, Inc., 24206–24221.
- [4] Andrei G. Aleinikov, Sharon Kackmeister, and Ron Koenig. 2000. *Creating Creativity: 101 Definitions (what Webster Never Told You)*. Alden B. Dow Creativity Center Press, Midland, MI.
- [5] Jyoti Aneja, Alexander G. Schwing, Jan Kautz, and Arash Vahdat. 2021. A Contrastive Learning Approach for Training Variational Autoencoder Priors. In *Advances in Neural Information Processing Systems* (Online), Vol. 34. Curran Associates, Inc., 480–493.

⁷This is one of the ethical dilemmas highlighted by UNESCO in its Preliminary study on the Ethics of Artificial Intelligence.

- [6] Anurag Arnab, Mostafa Dehghani, Georg Heigold, Chen Sun, Mario Lucic, and Cordelia Schmid. 2021. ViViT: A Video Vision Transformer. In *2021 IEEE/CVF International Conference on Computer Vision (ICCV)* (Montreal, Canada). IEEE, 6836–6846.
- [7] Charles Babbage. 1864. Of the Analytical Engine. In *Passages from the Life of a Philosopher*. Vol. 3. Longman, Green, Longman, Roberts, & Green, 112–141.
- [8] Dzmitry Bahdanau, Philemon Brakel, Kelvin Xu, Anirudh Goyal, Ryan Lowe, Joelle Pineau, Aaron Courville, and Yoshua Bengio. 2017. An Actor-Critic Algorithm for Sequence Prediction.
- [9] Dzmitry Bahdanau, Kyunghyun Cho, and Yoshua Bengio. 2015. Neural Machine Translation by Jointly Learning to Align and Translate. In *International Conference on Learning Representations* (San Diego, CA), Vol. 3.
- [10] Pierre Baldi and Laurent Itti. 2010. Of Bits and Wows: A Bayesian Theory of Surprise with Applications to Attention. *Neural networks: the official journal of the International Neural Network Society* 23 (2010), 649–666.
- [11] Hangbo Bao, Li Dong, and Furu Wei. 2022. BEiT: BERT Pre-Training of Image Transformers. In *International Conference on Learning Representations* (Online), Vol. 10. OpenReview.net.
- [12] Yoshua Bengio, Patrice Simard, and Paolo Frasconi. 1994. Learning Long-Term Dependencies with Gradient Descent is Difficult. *IEEE Transactions on Neural Networks* 5, 2 (1994), 157–166.
- [13] Walter Benjamin. 2008. *The Work of Art in the Age of Mechanical Reproduction*. Penguin Books Ltd, London, UK.
- [14] Sebastian Berns and Simon Colton. 2020. Bridging Generative Deep Learning and Computational Creativity. In *Proc. of the 11th International Conference on Computational Creativity* (Online). ACC.
- [15] Federico Betti, Giorgia Ramponi, and Massimo Piccardi. 2020. Controlled Text Generation with Adversarial Learning. In *Proc. of the 13th International Conference on Natural Language Generation* (Dublin, Ireland). ACL, 29–34.
- [16] Margaret A. Boden. 2003. *The Creative Mind: Myths and Mechanisms*. Routledge, London, UK.
- [17] Rishi Bommasani, Drew Hudson, Ehsan Adeli, Russ Altman, Simran Arora, Sydney Arx, Michael Bernstein, Jeannette Bohg, Antoine Bosselut, Emma Brunskill, Erik Brynjolfsson, Shyamal Buch, Dallas Card, Rodrigo Castellon, Niladri Chatterji, Annie Chen, Kathleen Creel, Jared Davis, Dora Demszky, and Percy Liang. 2021. On the Opportunities and Risks of Foundation Models. arXiv:2108.07258
- [18] Sam Bond-Taylor, Adam Leach, Yang Long, and Chris G. Willcocks. 2021. Deep Generative Modelling: A Comparative Review of VAEs, GANs, Normalizing Flows, Energy-Based and Autoregressive Models. *IEEE Transactions on Pattern Analysis and Machine Intelligence* (2021), 1–1.
- [19] Samuel R. Bowman, Luke Vilnis, Oriol Vinyals, Andrew M. Dai, Rafal Jozefowicz, and Samy Bengio. 2016. Generating Sentences from a Continuous Space. In *Proc. of The 20th SIGNLL Conference on Computational Natural Language Learning* (Berlin, Germany). ACL, 10–21.
- [20] Oliver Bown. 2021. *Beyond the Creative Species*. The MIT Press, Cambridge, MA.
- [21] Selmer Bringsjord, Paul Bello, and David Ferrucci. 2001. Creativity, the Turing Test, and the (Better) Lovelace Test. *Minds and Machines* 11 (2001), 3–27.
- [22] Terence Broad, Sebastian Berns, Simon Colton, and Mick Grierson. 2021. Active Divergence with Generative Deep Learning - A Survey and Taxonomy. In *Proc. of the 12th International Conference on Computational Creativity* (Online). ACC.
- [23] Andrew Brock, Jeff Donahue, and Karen Simonyan. 2018. Large Scale GAN Training for High Fidelity Natural Image Synthesis. In *International Conference on Learning Representations* (New Orleans, LA), Vol. 7. OpenReview.net.
- [24] Tim Brooks, Janne Hellsten, Miika Aittala, Ting-Chun Wang, Timo Aila, Jaakko Lehtinen, Ming-Yu Liu, Alexei A. Efros, and Tero Karras. 2022. Generating Long Videos of Dynamics Scenes. arXiv:2206.03429
- [25] Tom Brown, Benjamin Mann, Nick Ryder, Melanie Subbiah, Jared D Kaplan, Prafulla Dhariwal, Arvind Neelakantan, Pranav Shyam, Girish Sastry, Amanda Askell, Sandhini Agarwal, Ariel Herbert-Voss, Gretchen Krueger, Tom Henighan, Rewon Child, Aditya Ramesh, Daniel Ziegler, Jeffrey Wu, Clemens Winter, Chris Hesse, Mark Chen, Eric Sigler, Mateusz Litwin, Scott Gray, Benjamin Chess, Jack Clark, Christopher Berner, Sam McCandlish, Alec Radford, Ilya Sutskever, and Dario Amodei. 2020. Language Models are Few-Shot Learners. In *Advances in Neural Information Processing Systems* (Online), Vol. 33. Curran Associates, Inc., 1877–1901.
- [26] Razvan C. Bunescu and Oseremen O. Uduehi. 2019. Learning to Surprise: A Composer–Audience Architecture. In *Proc. of the 10th International Conference on Computational Creativity* (Charlotte, NC). ACC, 41–48.
- [27] Yuri Burda, Harri Edwards, Deepak Pathak, Amos Storkey, Trevor Darrell, and Alexei A. Efros. 2019. Large-Scale Study of Curiosity-Driven Learning. In *International Conference on Learning Representations* (New Orleans, LA), Vol. 7. OpenReview.net.
- [28] Yuri Burda, Roger Grosse, and Ruslan Salakhutdinov. 2016. Importance Weighted Autoencoders. In *International Conference on Learning Representations* (San Juan, Puerto Rico), Vol. 4.
- [29] Christopher P. Burgess, Irina Higgins, Arka Pal, Loic Matthey, Nick Watters, Guillaume Desjardins, and Alexander Lerchner. 2018. Understanding Disentangling in β -VAE. arXiv:1804.03599
- [30] Kevin Burns. 2006. Atoms of EVE: A Bayesian Basis for Esthetic Analysis of Style in Sketching. *Artificial Intelligence for Engineering Design, Analysis and Manufacturing* 20 (2006), 185–199.
- [31] Kevin Burns. 2015. Computing the Creativeness of Amusing Advertisements: A Bayesian Model of Burma-Shave’s Muse. *Artificial Intelligence for Engineering Design, Analysis and Manufacturing* 29 (2015), 109–128.
- [32] Amílcar Cardoso, Tony Veale, and Geraint A. Wiggins. 2009. Converging on the Divergent: The History (and Future) of the International Joint Workshops in Computational Creativity. *AI Magazine* 30, 3 (2009), 15.

- [33] Mark Chen, Alec Radford, Rewon Child, Jeffrey Wu, Heewoo Jun, David Luan, and Ilya Sutskever. 2020. Generative Pretraining From Pixels. In *Proc. of the 37th International Conference on Machine Learning* (Online), Vol. 119. PMLR, 1691–1703.
- [34] Mark Chen, Jerry Tworek, Heewoo Jun, Qiming Yuan, Henrique Ponde de Oliveira Pinto, Jared Kaplan, Harri Edwards, Yuri Burda, Nicholas Joseph, Greg Brockman, Alex Ray, Raul Puri, Gretchen Krueger, Michael Petrov, Heidy Khlaaf, Girish Sastry, Pamela Mishkin, Brooke Chan, Scott Gray, Nick Ryder, Mikhail Pavlov, Alethea Power, Lukasz Kaiser, Mohammad Bavarian, Clemens Winter, Philippe Tillet, Felipe Petroski Such, Dave Cummings, Matthias Plappert, Fotios Chantzis, Elizabeth Barnes, Ariel Herbert-Voss, William Hebgen Guss, Alex Nichol, Alex Paino, Nikolas Tezak, Jie Tang, Igor Babuschkin, Suchir Balaji, Shantanu Jain, William Saunders, Christopher Hesse, Andrew N. Carr, Jan Leike, Josh Achiam, Vedant Misra, Evan Morikawa, Alec Radford, Matthew Knight, Miles Brundage, Mira Murati, Peter Mayer Katie and, Welinder, Bob McGrew, Dario Amodei, Sam McCandlish, Ilya Sutskever, and Wojciech Zaremba. 2021. Evaluating Large Language Models Trained on Code. arXiv:2107.03374
- [35] Xi Chen, Yan Duan, Rein Houthoofd, John Schulman, Ilya Sutskever, and Pieter Abbeel. 2016. InfoGAN: Interpretable Representation Learning by Information Maximizing Generative Adversarial Nets. In *Advances in Neural Information Processing Systems* (Barcelona, Spain), Vol. 29. Curran Associates Inc., 2180–2188.
- [36] Rewon Child, Scott Gray, Alec Radford, and Ilya Sutskever. 2019. Generating Long Sequences with Sparse Transformers. arXiv:1904.10509
- [37] Eric Chu. 2018. Artistic Influence GAN. In *NeurIPS 2018 Workshop on Machine Learning for Creativity and Design* (Vancouver, Canada). Curran Associates, Inc.
- [38] Elizabeth Clark, Yangfeng Ji, and Noah A. Smith. 2018. Neural Text Generation in Stories Using Entity Representations as Context. In *Proc. of the 2018 Conference of the North American Chapter of the Association for Computational Linguistics: Human Language Technologies, Volume 1 (Long Papers)* (New Orleans, LA). ACL, 2250–2260.
- [39] Harold Cohen. 1988. How to Draw Three People in a Botanical Garden. In *Proc. of the 7th AAAI National Conference on Artificial Intelligence* (Saint Paul, MN). AAAI Press, 846–855.
- [40] Simon Colton. 2008. Creativity Versus the Perception of Creativity in Computational Systems. In *AAAI Spring Symposium* (Stanford, CA), Vol. SS-08-03. AAAI Press.
- [41] Simon Colton. 2012. The Painting Fool: Stories from Building an Automated Painter. In *Computers and Creativity*. Springer, Berlin, Heidelberg, 3–38.
- [42] Simon Colton, John William Charnley, and Alison Pease. 2011. Computational Creativity Theory: The FACE and IDEA Descriptive Models. In *Proc. of the 2nd International Conference on Computational Creativity* (Mexico City, Mexico). computationalcreativity.net, 90–95.
- [43] Simon Colton, Jakob Halskov, Dan Ventura, Ian Gouldstone, Michael Cook, and Blanca Pérez-Ferrer. 2015. The Painting Fool Sees! New Projects with the Automated Painter. In *Proc. of the 6th International Conference on Computational Creativity* (Park City, UT). computationalcreativity.net.
- [44] Simon Colton and Geraint A. Wiggins. 2012. Computational Creativity: The Final Frontier?. In *20th European Conference on Artificial Intelligence* (Montpellier, France), Vol. 242. IOS Press, 21–26.
- [45] David Cope. 1989. Experiments in Musical Intelligence (EMI): Non-Linear Linguistic-Based Composition. *Interface* 18 (1989), 117–139.
- [46] Katherine Crowson, Stella Biderman, Daniel Kornis, Dashiell Stander, Eric Hallahan, Louis Castricato, and Edward Raff. 2022. VQGAN-CLIP: Open Domain Image Generation and Editing with Natural Language Guidance. arXiv:2204.08583
- [47] Yashar Deldjoo, Tommaso Di Noia, and Felice Antonio Merra. 2021. A Survey on Adversarial Recommender Systems: From Attack/Defense Strategies to Generative Adversarial Networks. *Comput. Surveys* 54, 2 (2021), 1–38.
- [48] Jacob Devlin, Ming-Wei Chang, Kenton Lee, and Kristina Toutanova. 2019. BERT: Pre-training of Deep Bidirectional Transformers for Language Understanding. In *Proc. of the 2019 Conference of the North American Chapter of the Association for Computational Linguistics: Human Language Technologies, Volume 1 (Long and Short Papers)* (Minneapolis, MN). ACL, 4171–4186.
- [49] Prafulla Dhariwal, Heewoo Jun, Christine Payne, Jong Wook Kim, Alec Radford, and Ilya Sutskever. 2020. Jukebox: A Generative Model for Music. arXiv:2005.00341
- [50] Prafulla Dhariwal and Alexander Quinn Nichol. 2021. Diffusion Models Beat GANs on Image Synthesis. In *Advances in Neural Information Processing Systems* (Online), Vol. 34. Curran Associates, Inc., 8780–8794.
- [51] Ming Ding, Zhuoyi Yang, Wenyi Hong, Wendi Zheng, Chang Zhou, Da Yin, Junyang Lin, Xu Zou, Zhou Shao, Hongxia Yang, and Jie Tang. 2021. CogView: Mastering Text-to-Image Generation via Transformers. In *Advances in Neural Information Processing Systems* (Online), Vol. 34. Curran Associates, Inc., 19822–19835.
- [52] Chris Donahue, Julian McAuley, and Miller Puckette. 2019. Adversarial Audio Synthesis. In *International Conference on Learning Representations* (New Orleans, LA), Vol. 7. OpenReview.net.
- [53] Jeff Donahue, Philipp Krahenbuhl, and Trevor Darrell. 2017. Adversarial Feature Learning. In *International Conference on Learning Representations* (Toulon, France), Vol. 5. OpenReview.net.
- [54] Hao-Wen Dong, Wen-Yi Hsiao, Li-Chia Yang, and Yi-Hsuan Yang. 2018. MuseGAN: Multi-track Sequential Generative Adversarial Networks for Symbolic Music Generation and Accompaniment. In *Proc. of the 32nd AAAI Conference on Artificial Intelligence and 30th Innovative Applications of Artificial Intelligence Conference and 8th AAAI Symposium on Educational Advances in Artificial Intelligence* (New Orleans, LA). AAAI Press, 34–41.
- [55] Alexey Dosovitskiy, Lucas Beyer, Alexander Kolesnikov, Dirk Weissenborn, Xiaohua Zhai, Thomas Unterthiner, Mostafa Dehghani, Matthias Minderer, Georg Heigold, Sylvain Gelly, Jakob Uszkoreit, and Neil Houlsby. 2021. An Image is Worth 16x16 Words: Transformers for Image Recognition at Scale. In *International Conference on Learning Representations* (Online), Vol. 9. OpenReview.net.

- [56] Nan Du, Yanping Huang, Andrew M. Dai, Simon Tong, Dmitry Lepikhin, Yuanzhong Xu, Maxim Krikun, Yanqi Zhou, Adams Wei Yu, Orhan Firat, Barret Zoph, Liam Fedus, Maarten Bosma, Zongwei Zhou, Tao Wang, Yu Emma Wang, Kellie Webster, Marie Pellat, Kevin Robinson, Kathy Meier-Hellstern, Toju Duke, Lucas Dixon, Kun Zhang, Quoc V Le, Yonghui Wu, Zhifeng Chen, and Claire Cui. 2021. GLaM: Efficient Scaling of Language Models with Mixture-of-Experts. arXiv:2112.06905
- [57] Vincent Dumoulin, Ishmael Belghazi, Ben Poole, Olivier Mastropietro, Alex Lamb, Martin Arjovsky, and Aaron Courville. 2017. Adversarially Learned Inference. In *International Conference on Learning Representations* (Toulon, France), Vol. 5. OpenReview.net.
- [58] Ahmed Elgammal, Bingchen Liu, Mohamed Elhoseiny, and Marian Mazzone. 2017. CAN: Creative Adversarial Networks, Generating "Art" by Learning About Styles and Deviating from Style Norms. In *Proc. of the 8th International Conference on Computational Creativity* (Atlanta, GA). ACC, 96–103.
- [59] Ahmed Elgammal and Babak Saleh. 2015. Quantifying Creativity in Art Networks. In *Proc. of the 6th International Conference on Computational Creativity* (Park City, UT). Brigham Young University, 39–46.
- [60] Jesse Engel, Kumar Krishna Agrawal, Shuo Chen, Ishaan Gulrajani, Chris Donahue, and Adam Roberts. 2019. GANSynth: Adversarial Neural Audio Synthesis. In *International Conference on Learning Representations* (New Orleans, LA), Vol. 7. OpenReview.net.
- [61] S. M. Ali Eslami, Nicolas Heess, Theophane Weber, Yuval Tassa, David Szepesvari, koray kavukcuoglu, and Geoffrey E. Hinton. 2016. Attend, Infer, Repeat: Fast Scene Understanding with Generative Models. In *Advances in Neural Information Processing Systems* (Barcelona, Spain), Vol. 29. Curran Associates Inc., 3233–3241.
- [62] Patrick Esser, Robin Rombach, and Bjorn Ommer. 2021. Taming Transformers for High-Resolution Image Synthesis. In *2021 IEEE/CVF Conference on Computer Vision and Pattern Recognition (CVPR)* (Nashville, TN). IEEE, 12873–12883.
- [63] William Fedus, Ian Goodfellow, and Andrew M. Dai. 2018. MaskGAN: Better Text Generation via Filling in the _____. In *International Conference on Learning Representations* (Vancouver, Canada), Vol. 6. OpenReview.net.
- [64] Nanyi Fei, Zhiwu Lu, Yizhao Gao, Guoxing Yang, Yuqi Huo, Jingyuan Wen, Haoyu Lu, Ruihua Song, Xin Gao, Tao Xiang, Hao Sun, and Ji-Rong Wen. 2021. Towards Artificial General Intelligence via a Multimodal Foundation Model. arXiv:2110.14378
- [65] Pablo Fernandes, Joao Nuno Correia, and Penousal Machado. 2020. Evolutionary Latent Space Exploration of Generative Adversarial Networks. In *Applications of Evolutionary Computation – 23rd European Conference, EvoApplications 2020, Held as Part of EvoStar 2020* (Seville, Spain). Springer, 595–609.
- [66] Chrisantha Fernando, S. M. Ali Eslami, Jean-Baptiste Alayrac, Piotr Mirowski, Dylan Banarse, and Simon Osindero. 2021. Generative Art Using Neural Visual Grammars and Dual Encoders. arXiv:2105.00162
- [67] David Foster. 2019. *Generative Deep Learning*. O'Reilly, Sebastopol, CA.
- [68] Giorgio Franceschelli and Mirco Musolesi. 2022. Copyright in Generative Deep Learning. *Data & Policy* 4 (2022), e17.
- [69] Celso França, Luís Fabrício Wanderley Góes, Alvaro Amorim, Rodrigo C. O. Rocha, and Alysson Ribeiro Da Silva. 2016. Regent-Dependent Creativity: A Domain Independent Metric for the Assessment of Creative Artifacts. In *Proc. of the 7th International Conference on Computational Creativity* (Paris, France). Sony CSL.
- [70] Ankush Ganguly and Samuel W. F. Earp. 2021. An Introduction to Variational Inference. arXiv:2108.13083
- [71] Albert Gatt and Emiel Kraemer. 2018. Survey of the State of the Art in Natural Language Generation: Core Tasks, Applications and Evaluation. *Journal of Artificial Intelligence Research* 61, 1 (2018), 65–170.
- [72] Leon Gatys, Alexander Ecker, and Matthias Bethge. 2016. A Neural Algorithm of Artistic Style. *Journal of Vision* 16, 12 (2016), 326.
- [73] Leon A. Gatys, Alexander S. Ecker, Matthias Bethge, Aaron Hertzmann, and Eli Shechtman. 2017. Controlling Perceptual Factors in Neural Style Transfer. In *2017 IEEE Conference on Computer Vision and Pattern Recognition (CVPR)* (Honolulu, HI). IEEE, 3730–3738.
- [74] Sebastian Gehrmann, Tosin Adewumi, Karmanya Aggarwal, Pawan Sasanka Ammanamanchi, Aremu Anuoluwapo, Antoine Bosselut, Khyathi Raghavi Chandu, Miruna Clinciu, Dipanjan Das, Kaustubh D. Dhole, Wanyu Du, Esin Durmus, Ondřej Dušek, Chris Emezue, Varun Gangal, Cristina Garbacea, Tatsunori Hashimoto, Yufang Hou, Yacine Jernite, Harsh Jhamtani, Yangfeng Ji, Shailza Jolly, Dhruv Kumar, Faisal Ladhak, Aman Madaan, Mounica Maddela, Khyati Mahajan, Saad Mahamood, Bodhisattwa Prasad Majumder, Pedro Henrique Martins, Angelina McMillan-Major, Simon Mille, Emiel van Miltenburg, Moin Nadeem, Shashi Narayan, Vitaly Nikolaev, Rubungo Andre Niyongabo, Salomey Osei, Ankur Parikh, Laura Perez-Beltrachini, Niranjan Ramesh Rao, Vikas Raunak, Juan Diego Rodriguez, Sashank Santhanam, João Sedoc, Thibault Sellam, Samira Shaikh, Anastasia Shimorina, Marco Antonio Sobrevilla Cabezudo, Hendrik Strobelt, Nishant Subramani, Wei Xu, Diyi Yang, Akhila Yerukola, and Jiawei Zhou. 2021. The GEM Benchmark: Natural Language Generation, its Evaluation and Metrics. In *Proc. of the 1st Workshop on Natural Language Generation, Evaluation, and Metrics (GEM 2021)* (Online). ACL, 96–120.
- [75] John Gero. 2000. Computational Models of Innovative and Creative Design Processes. *Technological Forecasting and Social Change* 64, 2-3 (2000), 183–196.
- [76] Ian Goodfellow. 2017. NIPS 2016 Tutorial: Generative Adversarial Networks. arXiv:1701.00160
- [77] Ian Goodfellow, Jean Pouget-Abadie, Mehdi Mirza, Bing Xu, David Warde-Farley, Sherjil Ozair, Aaron Courville, and Yoshua Bengio. 2014. Generative Adversarial Nets. In *Advances in Neural Information Processing Systems* (Montreal, Canada), Vol. 27. MIT Press, 2672–2680.
- [78] Kazjon Grace and Mary Lou Maher. 2014. What to Expect when you're Expecting: The Role of Unexpectedness in Computationally Evaluating Creativity. In *Proc. of the 5th International Conference on Computational Creativity* (Ljubljana, Slovenia). computationalcreativity.net, 120–128.
- [79] Daniele Gravina, Antonios Liapis, and Georgios Yannakakis. 2016. Surprise Search: Beyond Objectives and Novelty. In *Proc. of the Genetic and Evolutionary Computation Conference 2016* (Denver, CO). ACM, 677–684.

- [80] Karol Gregor, Ivo Danihelka, Alex Graves, Danilo Jimenez Rezende, and Daan Wierstra. 2015. DRAW: A Recurrent Neural Network For Image Generation. In *Proc. of the 32nd International Conference on Machine Learning* (Lille, France), Vol. 37. PMLR, 1462–1471.
- [81] Jie Gui, Z. Sun, Yonggang Wen, Dacheng Tao, and Ye Jie-ping. 2021. A Review on Generative Adversarial Networks: Algorithms, Theory, and Applications. *IEEE Transactions on Knowledge and Data Engineering* (2021), 1–1.
- [82] Gabriel L. Guimaraes, Benjamin Sanchez-Lengeling, Pedro Luis Cunha Farias, and Alan Aspuru-Guzik. 2017. Objective-Reinforced Generative Adversarial Networks (ORGAN) for Sequence Generation Models. arXiv:1705.10843
- [83] Ishaan Gulrajani, Kundan Kumar, Faruk Ahmed, Adrien Ali Taiga, Francesco Visin, David Vazquez, and Aaron Courville. 2017. PixelVAE: A Latent Variable Model for Natural Images. In *International Conference on Learning Representations* (Toulon, France), Vol. 5. OpenReview.net.
- [84] Jiaxian Guo, Sidi Lu, Han Cai, Weinan Zhang, Yong Yu, and Jun Wang. 2018. Long Text Generation via Adversarial Training with Leaked Information. In *Proc. of the 32nd AAAI Conference on Artificial Intelligence and 30th Innovative Applications of Artificial Intelligence Conference and 8th AAAI Symposium on Educational Advances in Artificial Intelligence* (New Orleans, LA). AAAI Press, 5141–5148.
- [85] Matthew Guzdial and Mark O. Riedl. 2019. An Interaction Framework for Studying Co-Creative AI. arXiv:1903.09709
- [86] Rafael Gómez-Bombarelli, Jennifer N. Wei, David Duvenaud, José Miguel Hernández-Lobato, Benjamín Sánchez-Lengeling, Dennis Sheberla, Jorge Aguilera-Iparraguirre, Timothy D. Hirzel, Ryan P. Adams, and Alán Aspuru-Guzik. 2018. Automatic Chemical Design Using a Data-Driven Continuous Representation of Molecules. *ACS Central Science* 4, 2 (2018), 268–276.
- [87] G.M. Harshvardhan, Mahendra Kumar Gourisaria, Manjusha Pandey, and Siddharth Swarup Rautaray. 2020. A Comprehensive Survey and Analysis of Generative Models in Machine Learning. *Computer Science Review* 38 (2020), 100285.
- [88] Kaiming He, Xinlei Chen, Saining Xie, Yanghao Li, Piotr Dollár, and Ross Girshick. 2021. Masked Autoencoders Are Scalable Vision Learners. arXiv:2111.06377
- [89] Irina Higgins, Loic Matthey, Arka Pal, Christopher Burgess, Xavier Glorot, Matthew Botvinick, Shakir Mohamed, and Alexander Lerchner. 2017. beta-VAE: Learning Basic Visual Concepts with a Constrained Variational Framework. In *International Conference on Learning Representations* (Toulon, France), Vol. 5. OpenReview.net.
- [90] Geoffrey Hinton, Oriol Vinyals, and Jeffrey Dean. 2015. Distilling the Knowledge in a Neural Network. In *Deep Learning and Representation Learning Workshop* (Montreal, Canada). Curran Associates, Inc.
- [91] Jonathan Ho, Ajay Jain, and Pieter Abbeel. 2020. Denoising Diffusion Probabilistic Models. In *Advances in Neural Information Processing Systems* (Online), Vol. 33. Curran Associates, Inc., 6840–6851.
- [92] Jonathan Ho, Chitwan Saharia, William Chan, David J. Fleet, Mohammad Norouzi, and Tim Salimans. 2021. Cascaded Diffusion Models for High Fidelity Image Generation. arXiv:2106.15282
- [93] Jonathan Ho and Tim Salimans. 2021. Classifier-Free Diffusion Guidance. In *NeurIPS 2021 Workshop on Deep Generative Models and Downstream Applications* (Online). Curran Associates, Inc.
- [94] Jonathan Ho, Tim Salimans, Alexey Gritsenko, William Chan, Mohammad Norouzi, and David J. Fleet. 2022. Video Diffusion Models. In *ICLR Workshop on Deep Generative Models for Highly Structured Data* (Online). OpenReview.net.
- [95] Sepp Hochreiter and Jurgen Schmidhuber. 1997. Long Short-Term Memory. *Neural Computation* 9, 8 (1997), 1735–1780.
- [96] Jordan Hoffmann, Sebastian Borgeaud, Arthur Mensch, Elena Buchatskaya, Trevor Cai, Eliza Rutherford, Diego de Las Casas, Lisa Anne Hendricks, Johannes Welbl, Aidan Clark, Tom Hennigan, Eric Noland, Katie Millican, George van den Driessche, Bogdan Damoc, Aurelia Guy, Simon Osindero, Karen Simonyan, Erich Elsen, Jack W. Rae, Oriol Vinyals, and Laurent Sifre. 2022. Training Compute-Optimal Large Language Models. arXiv:2203.15556
- [97] Douglas R. Hofstadter and Melanie Mitchell. 1994. The Copycat Project: A Model of Mental Fluidity and Analogy-Making. In *Advances in connectionist and neural computation theory, Vol. 2. Analogical connections*. Ablex Publishing, 31–112.
- [98] Jack Hopkins and Douwe Kiela. 2017. Automatically Generating Rhythmic Verse with Neural Networks. In *Proc. of the 55th Annual Meeting of the Association for Computational Linguistics (Volume 1: Long Papers)* (Vancouver, Canada). ACL, 168–178.
- [99] Cheng-Zhi Anna Huang, Ashish Vaswani, Jakob Uszkoreit, Ian Simon, Curtis Hawthorne, Noam Shazeer, Andrew M. Dai, Matthew D. Hoffman, Monica Dinulescu, and Douglas Eck. 2019. Music Transformer. In *International Conference on Learning Representations* (New Orleans, LA), Vol. 7. OpenReview.net.
- [100] Zhewei Huang, Shuchang Zhou, and Wen Heng. 2019. Learning to Paint With Model-Based Deep Reinforcement Learning. In *2019 IEEE/CVF International Conference on Computer Vision (ICCV)* (Seoul, Korea (South)). IEEE, 8708–8717.
- [101] Phillip Isola, Jun-Yan Zhu, Tinghui Zhou, and Alexei A. Efros. 2017. Image-to-Image Translation with Conditional Adversarial Networks. In *2017 IEEE Conference on Computer Vision and Pattern Recognition (CVPR)* (Honolulu, HI). IEEE, 5967–5976.
- [102] Eric Jang, Shixiang Gu, and Ben Poole. 2017. Categorical Reparameterization with Gumbel-Softmax. In *International Conference on Learning Representations* (Toulon, France), Vol. 5. OpenReview.net.
- [103] Joel Jang, Sumin Shin, and Yoonjeon Kim. 2022. Music2Video: Automatic Generation of Music Video with Fusion of Audio and Text. arXiv:2201.03809
- [104] Natasha Jaques, Shixiang Gu, Dzmitry Bahdanau, José Miguel Hernández-Lobato, Richard E. Turner, and Douglas Eck. 2017. Sequence Tutor: Conservative Fine-Tuning of Sequence Generation Models with KL-control. In *Proc. of the 34th International Conference on Machine Learning* (Sydney, Australia), Vol. 70. PMLR, 1645–1654.
- [105] Natasha Jaques, Shixiang Gu, Richard E. Turner, and Douglas Eck. 2016. Generating Music by Fine-Tuning Recurrent Neural Networks with Reinforcement Learning. In *NeurIPS 2016 Deep Reinforcement Learning Workshop* (Barcelona, Spain). Curran Associates Inc.

- [106] Natasha Jaques, Shixiang Gu, Richard E. Turner, and Douglas Eck. 2017. Tuning Recurrent Neural Networks with Reinforcement Learning. In *ICLR Workshop* (Toulon, France), Vol. 5. OpenReview.net.
- [107] Divyansh Jha, Hanna Chang, and Mohamed Elhoseiny. 2021. Wöflflin’s Affective Generative Analysis for Visual Art. In *Proc. of the 20th International Conference on Computational Creativity* (Online). ACC, 429–433.
- [108] Chao Jia, Yinfei Yang, Ye Xia, Yi-Ting Chen, Zarana Parekh, Hieu Pham, Quoc V. Le, Yunhsuan Sung, Zhen Li, and Tom Duerig. 2021. Scaling Up Visual and Vision-Language Representation Learning With Noisy Text Supervision. In *Proc. of the 38th International Conference on Machine Learning* (Online), Vol. 139. PMLR, 4904–4916.
- [109] Nan Jiang, Sheng Jin, Zhiyao Duan, and Changshui Zhang. 2020. RL-Duet: Online Music Accompaniment Generation Using Deep Reinforcement Learning. In *Proc. of the 34th AAAI Conference on Artificial Intelligence, the 32nd Innovative Applications of Artificial Intelligence Conference, the 10th AAAI Symposium on Educational Advances in Artificial Intelligence* (New York, NY). AAAI Press, 710–718.
- [110] Yanghua Jin, Jiakai Zhang, Minjun Li, Yingtao Tian, Huachun Zhu, and Zhihao Fang. 2017. Towards the Automatic Anime Characters Creation with Generative Adversarial Networks. arXiv:1708.05509
- [111] Michael I. Jordan, Zoubin Ghahramani, Tommi S. Jaakkola, and Lawrence K. Saul. 1999. An Introduction to Variational Methods for Graphical Models. *Machine Learning* 37 (1999), 183–233.
- [112] Anna Jordanous. 2012. A Standardised Procedure for Evaluating Creative Systems: Computational Creativity Evaluation Based on What it is to be Creative. *Cognitive Computation* 4 (2012), 246–279.
- [113] Anna Jordanous. 2014. Stepping Back to Progress Forwards: Setting Standards for Meta-Evaluation of Computational Creativity. In *Proc. of the 5th International Conference on Computational Creativity* (Ljubljana, Slovenia). computationalcreativity.net, 129–136.
- [114] Anna Jordanous. 2016. Four PPPPerspectives on Computational Creativity in Theory and in Practice. *Connection Science* 28, 2 (2016), 294–216.
- [115] John M. Jumper, Richard Evans, Alexander Pritzel, Tim Green, Michael Figurnov, Olaf Ronneberger, Kathryn Tunyasuvunakool, Russ Bates, Augustin Zidek, Anna Potapenko, Alex Bridgland, Clemens Meyer, Simon A. A. Kohl, Andy Ballard, Andrew Cowie, Bernardino Romera-Paredes, Stanislav Nikolov, Rishub Jain, Jonas Adler, Trevor Back, Stig Petersen, David A. Reiman, Ellen Clancy, Michal Zielinski, Martin Steinegger, Michalina Pacholska, Tamas Berghammer, Sebastian Bodenstein, David Silver, Oriol Vinyals, Andrew W. Senior, Koray Kavukcuoglu, Pushmeet Kohli, and Demis Hassabis. 2021. Highly Accurate Protein Structure Prediction with AlphaFold. *Nature* 596 (2021), 583–589.
- [116] Artur Kadurin, Sergey Nikolenko, Kuzma Khrabrov, Alex Aliper, and Alex Zhavoronkov. 2017. druGAN: An Advanced Generative Adversarial Autoencoder Model for de Novo Generation of New Molecules with Desired Molecular Properties in Silico. *Molecular Pharmaceutics* 14, 9 (2017), 3098–3104.
- [117] Pythagoras Karampiperis, Antonis Koukourikos, and Evangelia Koliopoulou. 2014. Towards Machines for Measuring Creativity: The Use of Computational Tools in Storytelling Activities. In *2014 IEEE 14th International Conference on Advanced Learning Technologies* (Athens, Greece). IEEE.
- [118] Andrej Karpathy. 2015. The Unreasonable Effectiveness of Recurrent Neural Networks. Retrieved August 5, 2020 from karpathy.github.io/2015/05/21/rnn-effectiveness.
- [119] Tero Karras, Timo Aila, Samuli Laine, and Jaakko Lehtinen. 2018. Progressive Growing of GANs for Improved Quality, Stability, and Variation. In *International Conference on Learning Representations* (Vancouver, Canada), Vol. 6. OpenReview.net.
- [120] Tero Karras, Miika Aittala, Samuli Laine, Erik Harkonen, Janne Hellsten, Jaakko Lehtinen, and Timo Aila. 2021. Alias-Free Generative Adversarial Networks. In *Advances in Neural Information Processing Systems* (Online), Vol. 34. Curran Associates, Inc., 852–863.
- [121] Tero Karras, Samuli Laine, and Timo Aila. 2019. A Style-Based Generator Architecture for Generative Adversarial Networks. In *2019 IEEE/CVF Conference on Computer Vision and Pattern Recognition (CVPR)* (Long Beach, CA). IEEE, 4396–4405.
- [122] Tero Karras, Samuli Laine, Miika Aittala, Janne Hellsten, Jaakko Lehtinen, and Timo Aila. 2020. Analyzing and Improving the Image Quality of StyleGAN. In *2020 IEEE/CVF Conference on Computer Vision and Pattern Recognition (CVPR)* (Seattle, WA). IEEE, 8107–8116.
- [123] Hadi Kazemi, Seyed Mehdi Iranmanesh, and Nasser Nasrabadi. 2019. Style and Content Disentanglement in Generative Adversarial Networks. In *2019 IEEE Winter Conference on Applications of Computer Vision (WACV)* (Waikoloa, HI). IEEE, 848–856.
- [124] Salman Khan, Muzammal Naseer, Munawar Hayat, Syed Waqas Zamir, Fahad Shahbaz Khan, and Mubarak Shah. 2021. Transformers in Vision: A Survey. *Comput. Surveys* (2021). Just Accepted.
- [125] Durk P Kingma, Shakir Mohamed, Danilo Jimenez Rezende, and Max Welling. 2014. Semi-supervised Learning with Deep Generative Models. In *Advances in Neural Information Processing Systems* (Montreal, Canada), Vol. 27. MIT Press, 3581–3589.
- [126] Diederik P. Kingma and Max Welling. 2014. Auto-Encoding Variational Bayes. In *International Conference on Learning Representations* (Banff, Canada), Vol. 2.
- [127] Diederik P. Kingma and Max Welling. 2019. An Introduction to Variational Autoencoders. *Foundations and Trends in Machine Learning* 12, 4 (2019), 307–392.
- [128] Zhifeng Kong, Wei Ping, Jiayi Huang, Kexin Zhao, and Bryan Catanzaro. 2021. DiffWave: A Versatile Diffusion Model for Audio Synthesis. In *International Conference on Learning Representations* (Online), Vol. 9. OpenReview.net.
- [129] Evgeny Lagutin, Daniil Gavrilov, and Pavel Kalaidin. 2021. Implicit Unlikelihood Training: Improving Neural Text Generation with Reinforcement Learning. In *Proc. of the 16th Conference of the European Chapter of the Association for Computational Linguistics: Main Volume* (Online). ACL, 1432–1441.

- [130] Carolyn Lamb, Daniel G. Brown, and Charles L. A. Clarke. 2018. Evaluating Computational Creativity: An Interdisciplinary Tutorial. *Comput. Surveys* 51, 2 (2018), 1–34.
- [131] Zhenzhong Lan, Mingda Chen, Sebastian Goodman, Kevin Gimpel, Piyush Sharma, and Radu Soricut. 2020. ALBERT: A Lite BERT for Self-supervised Learning of Language Representations. In *International Conference on Learning Representations* (Addis Ababa, Ethiopia), Vol. 8. OpenReview.net.
- [132] Pat Langley, Herbert A. Simon, Gary L. Bradshaw, and Jan M. Zytkow. 1987. *Scientific Discovery: Computational Explorations of the Creative Process*. The MIT Press, Cambridge, MA.
- [133] Anders Boesen Lindbo Larsen, Søren Kaae Sønderby, Hugo Larochelle, and Ole Winther. 2016. Autoencoding beyond Pixels Using a Learned Similarity Metric. In *Proc. of The 33rd International Conference on Machine Learning* (New York, NY), Vol. 48. PMLR, 1558–1566.
- [134] Jey Han Lau, Trevor Cohn, Timothy Baldwin, Julian Brooke, and Adam Hammond. 2018. Deep-Speare: A Joint Neural Model of Poetic Language, Meter and Rhyme. In *Proc. of the 56th Annual Meeting of the Association for Computational Linguistics (Volume 1: Long Papers)* (Melbourne, Australia). ACL, 1948–1958.
- [135] Helena H. Lee, Ke Shu, Palakorn Achananuparp, Philips Kokoh Prasetyo, Yue Liu, Ee-Peng Lim, and Lav R. Varshney. 2020. RecipeGPT: Generative Pre-Training Based Cooking Recipe Generation and Evaluation System. In *Companion Proceedings of the Web Conference 2020* (Online). ACM, 181–184.
- [136] Joel Lehman and Kenneth O. Stanley. 2011. Abandoning Objectives: Evolution Through the Search for Novelty Alone. *Evolutionary Computation* 19, 2 (2011), 189–223.
- [137] Brian Lester, Rami Al-Rfou, and Noah Constant. 2021. The Power of Scale for Parameter-Efficient Prompt Tuning. In *Proc. of the 2021 Conference on Empirical Methods in Natural Language Processing* (Online and Punta Cana, Dominican Republic). ACL, 3045–3059.
- [138] Yoav Levine, Itay Dalmedigos, Ori Ram, Yoel Zeldes, Daniel Jannai, Dor Muhlgay, Yoni Osin, Opher Lieber, Barak Lenz, Shai Shalev-Shwartz, Amnon Shashua, Kevin Leyton-Brown, and Yoav Shoham. 2022. Standing on the Shoulders of Giant Frozen Language Models. arXiv:2204.10019
- [139] Mike Lewis, Yinhan Liu, Naman Goyal, Marjan Ghazvininejad, Abdelrahman Mohamed, Omer Levy, Veselin Stoyanov, and Luke Zettlemoyer. 2020. BART: Denoising Sequence-to-Sequence Pre-training for Natural Language Generation, Translation, and Comprehension. In *Proc. of the 58th Annual Meeting of the Association for Computational Linguistics* (Online). ACL, 7871–7880.
- [140] Jiwei Li, Will Monroe, Alan Ritter, Dan Jurafsky, Michel Galley, and Jianfeng Gao. 2016. Deep Reinforcement Learning for Dialogue Generation. In *Proc. of the 2016 Conference on Empirical Methods in Natural Language Processing* (Austin, TX). ACL, 1192–1202.
- [141] Naihuan Li, Shujie Liu, Yanqing Liu, Sheng Zhao, and Ming Liu. 2019. Neural Speech Synthesis with Transformer Network. In *Proc. of the 33rd AAAI Conference on Artificial Intelligence and 31st Innovative Applications of Artificial Intelligence Conference and 9th AAAI Symposium on Educational Advances in Artificial Intelligence* (Honolulu, HI). AAAI Press.
- [142] Antonios Liapis, Hector P. Martinez, Julian Togelius, and Georgios N. Yannakakis. 2013. Transforming Exploratory Creativity with DeLeNoX. In *Proc. of the 4th International Conference on Computational Creativity* (Sydney, Australia). Faculty of Architecture, Design and Planning, The University of Sydney, 56–63.
- [143] Antonios Liapis, Georgios N. Yannakakis, and Julian Togelius. 2013. Enhancements to Constrained Novelty Search: Two-Population Novelty Search for Generating Game Content. In *Proc. of the 15th Annual Conference on Genetic and Evolutionary Computation* (Amsterdam, The Netherlands). ACM, 343–350.
- [144] Bryan Lim and Stefan Zohren. 2021. Time-Survey. *Philosophical Transactions of the Royal Society A* 379 (2021), 20200209.
- [145] Jialin Liu, Sam Snodgrass, Ahmed Khalifa, Sebastian Risi, Georgios N. Yannakakis, and Julian Togelius. 2021. Deep Learning for Procedural Content Generation. *Neural Computing and Applications* 33 (2021), 19–37.
- [146] Yinhan Liu, Myle Ott, Naman Goyal, Jingfei Du, Mandar Joshi, Danqi Chen, Omer Levy, Mike Lewis, Luke Zettlemoyer, and Veselin Stoyanov. 2019. RoBERTa: A Robustly Optimized BERT Pretraining Approach. arXiv:1907.11692
- [147] Lars Maaløe, Casper Kaae Sønderby, Søren Kaae Sønderby, and Ole Winther. 2016. Auxiliary Deep Generative Models. In *Proc. of The 33rd International Conference on Machine Learning* (New York, NY), Vol. 48. PMLR, 1445–1453.
- [148] Luis Macedo and Amilcar Cardoso. 2002. Assessing Creativity: The Importance of Unexpected Novelty. In *Workshop on Creative Systems* (Lyon, France). University Claude Bernard.
- [149] Penousal Machado, Juan Romero, Antonino Santos, Amilcar Cardoso, and Alejandro Pazos. 2007. On the Development of Evolutionary Artificial Artists. *Computers and Graphics* 31, 6 (2007), 818–826.
- [150] Chris J. Maddison, Andriy Mnih, and Yee Whye Teh. 2017. The Concrete Distribution: A Continuous Relaxation of Discrete Random Variables. In *International Conference on Learning Representations* (Toulon, France), Vol. 5. OpenReview.net.
- [151] Aleksander Madry, Aleksandar Makelov, Ludwig Schmidt, Dimitris Tsipras, and Adrian Vladu. 2018. Towards Deep Learning Models Resistant to Adversarial Attacks. In *International Conference on Learning Representations* (Vancouver, Canada), Vol. 6. OpenReview.net.
- [152] Mary Maher. 2010. Evaluating Creativity in Humans, Computers, and Collectively Intelligent Systems. In *Proc. of the 1st DESIRE Network Conference on Creativity and Innovation in Design* (Aarhus, Denmark). Desire Network, 22–28.
- [153] Mary Maher and Doug Fisher. 2012. Using AI to Evaluate Creative Designs. In *Proc. of the 2nd International Conference on Design Creativity*, Vol. 1. 45–54.
- [154] Alireza Makhzani, Jonathon Shlens, Navdeep Jaitly, and Ian Goodfellow. 2016. Adversarial Autoencoders. In *International Conference on Learning Representations* (San Juan, Puerto Rico), Vol. 4.

- [155] Lara J. Martin, Prithviraj Ammanabrolu, William Hancock, Shruti Singh, Brent Harrison, and Mark O. Riedl. 2018. Event Representations for Automated Story Generation with Deep Neural Nets. In *Proc. of the 32nd AAAI Conference on Artificial Intelligence and 30th Innovative Applications of Artificial Intelligence Conference and 8th AAAI Symposium on Educational Advances in Artificial Intelligence* (New Orleans, LA). AAAI Press.
- [156] James R. Meehan. 1977. TALE-SPIN, an Interactive Program That Writes Stories. In *Proc. of the 5th International Joint Conference on Artificial Intelligence - Volume 1* (Cambridge, MA). Morgan Kaufmann Publishers Inc., 91–98.
- [157] Luigi Federico Menabrea and Ada Lovelace. 1843. Sketch of The Analytical Engine Invented by Charles Babbage. In *Scientific Memoirs*. Vol. 3. Richard and John E. Taylor, 666–731.
- [158] Oscar Mendez-Lucio, Benoit Baillif, Djork-Arné Clevert, David Rouquié, and Joerg Wichard. 2020. De novo generation of hit-like molecules from gene expression signatures using artificial intelligence. *Nature Communications* 11, 10 (2020), 1–10.
- [159] Luke Metz, Ben Poole, David Pfau, and Jascha Sohl-Dickstein. 2017. Unrolled Generative Adversarial Networks. In *International Conference on Learning Representations* (Toulon, France), Vol. 5. OpenReview.net.
- [160] Arthur I. Miller. 2019. *The Artist in the Machine*. The MIT Press, Cambridge, MA.
- [161] Marvin Minsky. 2006. *The Emotion Machine*. Simon & Schuster, New York, NY.
- [162] Mehdi Mirza and Simon Osindero. 2014. Conditional Generative Adversarial Nets. arXiv:1411.1784
- [163] Gautam Mittal, Jesse Engel, Curtis Hawthorne, and Ian Simon. 2021. Symbolic Music Generation with Diffusion Models. In *Proc. of the 22nd Int. Society for Music Information Retrieval Conf.* (Online).
- [164] Volodymyr Mnih, Koray Kavukcuoglu, David Silver, Andrei A. Rusu, Joel Veness, Marc G. Bellemare, Alex Graves, Martin Riedmiller, Andreas K. Fidjeland, Georg Ostrovski, Stig Petersen, Charles Beattie, Amir Sadik, Ioannis Antonoglou, Helen King, Dharshan Kumaran, Daan Wierstra, Shane Legg, and Demis Hassabis. 2015. Human-Level Control Through Deep Reinforcement Learning. *Nature* 518 (2015), 529–533.
- [165] Alexander Mordvintsev, Christopher Olah, and Mike Tyka. 2015. Inceptionism: Going Deeper into Neural Networks. Google Research Blog.
- [166] Richard G. Morris, Scott H. Burton, Paul Bodily, and Dan Ventura. 2012. Soup Over Bean of Pure Joy: Culinary Ruminations of an Artificial Chef. In *Proc. of the 3rd International Conference on Computational Creativity* (Dublin, Ireland). computationalcreativity.net, 119–125.
- [167] Saman Motamed, Patrik Rogalla, and Farzad Khalvati. 2021. RANDGAN: Randomized Generative Adversarial Network for Detection of COVID-19 in Chest X-Ray. *Scientific Reports* 11 (2021), 8602.
- [168] Allen Newell, J. C. Shaw, and Herbert A. Simon. 1962. The Processes of Creative Thinking. In *Contemporary Approaches to Creative Thinking: A Symposium Held at the University of Colorado*. Atherton Press, 63–119.
- [169] Anh Nguyen, Jeff Clune, Yoshua Bengio, Alexey Dosovitskiy, and Jason Yosinski. 2017. Plug & Play Generative Networks: Conditional Iterative Generation of Images in Latent Space. In *2017 IEEE Conference on Computer Vision and Pattern Recognition (CVPR)* (Honolulu, HI). IEEE, 3510–3520.
- [170] Anh Nguyen, Alexey Dosovitskiy, Jason Yosinski, Thomas Brox, and Jeff Clune. 2016. Synthesizing the Preferred Inputs for Neurons in Neural Networks via Deep Generator Networks. In *Advances in Neural Information Processing Systems* (Barcelona, Spain), Vol. 29. Curran Associates Inc., 3395–3403.
- [171] Alex Nichol, Prafulla Dhariwal, Aditya Ramesh, Pranav Shyam, Pamela Mishkin, Bob McGrew, Ilya Sutskever, and Mark Chen. 2021. GLIDE: Towards Photorealistic Image Generation and Editing with Text-Guided Diffusion Models. arXiv:2112.10741
- [172] Alexander Quinn Nichol and Prafulla Dhariwal. 2021. Improved Denoising Diffusion Probabilistic Models. In *Proc. of the 38th International Conference on Machine Learning* (Online), Vol. 139. PMLR, 8162–8171.
- [173] Weili Nie, Nina Narodytska, and Ankit Patel. 2019. RelGAN: Relational Generative Adversarial Networks for Text Generation. In *International Conference on Learning Representations* (New Orleans, LA), Vol. 7. OpenReview.net.
- [174] David Norton, Derral Heath, and Dan Ventura. 2010. Establishing Appreciation in a Creative System. In *Proc. of the International Conference on Computational Creativity* (Lisbon, Portugal). computationalcreativity.net.
- [175] Augustus Odena. 2016. Semi-Supervised Learning with Generative Adversarial Networks. arXiv:1606.01583
- [176] Augustus Odena, Christopher Olah, and Jonathon Shlens. 2017. Conditional Image Synthesis with Auxiliary Classifier GANs. In *Proc. of the 34th International Conference on Machine Learning* (Sydney, Australia), Vol. 70. PMLR, 2642–2651.
- [177] Chris Olah, Alexander Mordvintsev, and Ludwig Schubert. 2017. Feature Visualization. *Distill* (2017). <https://distill.pub/2017/feature-visualization>.
- [178] Niki Parmar, Ashish Vaswani, Jakob Uszkoreit, Lukasz Kaiser, Noam Shazeer, Alexander Ku, and Dustin Tran. 2018. Image Transformer. In *Proc. of the 35th International Conference on Machine Learning* (Stockholm, Sweden), Vol. 80. PMLR, 4055–4064.
- [179] Christine Payne. 2019. MuseNet. Retrieved August 2, 2020 from openai.com/blog/musenet.
- [180] Francisco C. Pereira, Mateus Mendes, Pablo Gervas, and Amílcar Cardoso. 2005. Experiments With Assessment of Creative Systems: An Application of Ritchie’s Criteria. In *Second Computational Creativity Workshop* (Edinburgh, Scotland). Morgan Kaufmann Publishers Inc.
- [181] Peter Potash, Alexey Romanov, and Anna Rumshisky. 2015. GhostWriter: Using an LSTM for Automatic Rap Lyric Generation. In *Proc. of the 2015 Conference on Empirical Methods in Natural Language Processing* (Lisbon, Portugal). ACL, 1919–1924.
- [182] Racter. 1984. *The Policeman’s Beard Is Half Constructed*. Warner Books, Inc., New York, NY.
- [183] Alec Radford. 2018. Improving Language Understanding with Unsupervised Learning. Retrieved May 3, 2022 from openai.com/blog/language-unsupervised/.
- [184] Alec Radford, Jong Wook Kim, Chris Hallacy, Aditya Ramesh, Gabriel Goh, Sandhini Agarwal, Girish Sastry, Amanda Askell, Pamela Mishkin, Jack Clark, Gretchen Krueger, and Ilya Sutskever. 2021. Learning Transferable Visual Models From Natural Language Supervision. In *Proc. of the 38th International Conference on Machine Learning* (Online), Vol. 139. PMLR, 8748–8763.

- [185] Alec Radford, Luke Metz, and Soumith Chintala. 2016. Unsupervised Representation Learning with Deep Convolutional Generative Adversarial Networks. In *International Conference on Learning Representations* (San Juan, Puerto Rico), Vol. 4.
- [186] Alec Radford, Jeffrey Wu, Rewon Child, David Luan, Dario Amodei, and Ilya Sutskever. 2019. Language Models are Unsupervised Multitask Learners.
- [187] Colin Raffel, Noam Shazeer, Adam Roberts, Katherine Lee, Sharan Narang, Michael Matena, Yanqi Zhou, Wei Li, and Peter J. Liu. 2020. Exploring the Limits of Transfer Learning with a Unified Text-to-Text Transformer. *Journal of Machine Learning Research* 21, 140 (2020), 1–67.
- [188] Aditya Ramesh, Prfulla Dhariwal, Alex Nichol, Casey Chu, and Mark Chen. 2022. Hierarchical Text-Conditional Image Generation with CLIP Latents. arXiv:2204.06125
- [189] Marc'Aurelio Ranzato, Sumit Chopra, Michael Auli, and Wojciech Zaremba. 2016. Sequence Level Training with Recurrent Neural Networks. In *International Conference on Learning Representations* (San Juan, Puerto Rico), Vol. 4.
- [190] Hannah Rashkin, Asli Celikyilmaz, Yejin Choi, and Jianfeng Gao. 2020. PlotMachines: Outline-Conditioned Generation with Dynamic Plot State Tracking. In *Proc. of the 2020 Conference on Empirical Methods in Natural Language Processing* (Online). ACL, 4274–4295.
- [191] Scott Reed, Zeynep Akata, Xinchen Yan, Lajanugen Logeswaran, Bernt Schiele, and Honglak Lee. 2016. Generative Adversarial Text to Image Synthesis. In *Proc. of The 33rd International Conference on Machine Learning* (New York, NY), Vol. 48. PMLR, 1060–1069.
- [192] Scott Reed, Konrad Zolna, Emilio Parisotto, Sergio Gomez Colmenarejo, Alexander Novikov, Gabriel Barth-Maron, Mai Gimenez, Yury Sulsky, Jackie Kay, Jost Tobias Springenberg, Tom Eccles, Jake Bruce, Ali Razavi, Ashley Edwards, Nicolas Heess, Yutian Chen, Raia Hadsell, Oriol Vinyals, Mahyar Bordbar, and Nando de Freitas. 2022. A Generalist Agent. arXiv:2205.06175
- [193] Danilo Jimenez Rezende, Shakir Mohamed, and Daan Wierstra. 2014. Stochastic Backpropagation and Approximate Inference in Deep Generative Models. In *Proc. of the 31st International Conference on Machine Learning* (Beijing, China), Vol. 32. PMLR, II–1278–II–1286.
- [194] Mark O. Riedl. 2014. The Lovelace 2.0 Test of Artificial Creativity and Intelligence. arXiv:1410.6142
- [195] Graeme Ritchie. 2007. Some Empirical Criteria for Attributing Creativity to a Computer Program. *Minds and Machines* 17 (2007), 67–99.
- [196] Adam Roberts, Jesse Engel, Colin Raffel, Curtis Hawthorne, and Douglas Eck. 2018. A Hierarchical Latent Vector Model for Learning Long-Term Structure in Music. In *Proc. of the 35th International Conference on Machine Learning* (Stockholm, Sweden), Vol. 80. PMLR, 4364–4373.
- [197] Melissa Roemmele and Andrew S. Gordon. 2018. Automated Assistance for Creative Writing with an RNN Language Model. In *Proc. of the 23rd International Conference on Intelligent User Interfaces Companion* (Tokyo, Japan). ACM.
- [198] Corby Rosset. 2020. Turing-NLG: A 17-Billion-Parameter Language Model by Microsoft. Retrieved May 3, 2022 from microsoft.com/en-us/research/blog/turing-nlg-a-17-billion-parameter-language-model-by-microsoft/.
- [199] Jon Rowe and Derek Partridge. 1993. Creativity: A Survey of AI Approaches. *Artificial Intelligence Review* 7 (1993), 43–70.
- [200] Chitwan Saharia, William Chan, Saurabh Saxena, Lala Li, Jay Whang, Emily Denton, Seyed Kamyar Seyed Ghasemipour, Burcu Karagol Ayan, S. Sara Mahdavi, Rapha Gontijo Lopes, Tim Salimans, Jonathan Ho, David J Fleet, and Mohammad Norouzi. 2022. Photorealistic Text-to-Image Diffusion Models with Deep Language Understanding. arXiv:2205.11487
- [201] Sameh Said Metwaly, Wim Van den Noortgate, and Eva Kyndt. 2017. Approaches to Measuring Creativity: A Systematic Literature Review. *Creativity. Theories – Research – Applications* 4, 2 (2017), 238–275.
- [202] Pamela Samuelson. 1986. Allocating Ownership Rights in Computer-Generated Works. In *Symposium Cosponsored by University of Pittsburgh Law Review and The Software En on The Future of Software Protection* (Pittsburgh, PA). University of Pittsburgh Press, 1185–1228.
- [203] Victor Sanh, Lysandre Debut, Julien Chaumond, and Thomas Wolf. 2019. DistilBERT, a distilled version of BERT: smaller, faster, cheaper and lighter. In *NeurIPS 2019 Workshop* (Vancouver, Canada). Curran Associates, Inc.
- [204] Othman Sbai, Mohamed Elhoseiny, Antoine Bordes, Yann LeCun, and Camille Couprie. 2019. DesIGN: Design Inspiration from Generative Networks. In *Computer Vision - ECCV 2018 Workshops* (Munich, Germany). Springer, 37–44.
- [205] Jürgen Schmidhuber. 2010. Formal Theory of Creativity, Fun, and Intrinsic Motivation (1990–2010). *IEEE Transactions on Autonomous Mental Development* 2, 3 (2010), 230–247.
- [206] Michael D. Schmidt and Hod Lipson. 2009. Distilling Free-Form Natural Laws from Experimental Data. *Science* 324 (2009), 81–85.
- [207] Victor Schmidt, Alexandra Sasha Luccioni, Mélisande Teng, Tianyu Zhang, Alexia Reynaud, Sunand Raghupathi, Gautier Cosne, Adrien Juraver, Vahe Vardanyan, Alex Hernandez-Garcia, and Yoshua Bengio. 2022. ClimateGAN: Raising Climate Change Awareness by Generating Images of Floods. In *International Conference on Learning Representations* (Online), Vol. 10. OpenReview.net.
- [208] Stanislaw Semeniuta, Aliaksei Severyn, and Erhardt Barth. 2017. A Hybrid Convolutional Variational Autoencoder for Text Generation. In *Proc. of the 2017 Conference on Empirical Methods in Natural Language Processing* (Copenhagen, Denmark). ACL, 627–637.
- [209] Noam Shazeer, Azalia Mirhoseini, Krzysztof Maziarz, Andy Davis, Quoc Le, Geoffrey Hinton, and Jeff Dean. 2017. Outrageously Large Neural Networks: The Sparsely-Gated Mixture-of-Experts Layer. In *International Conference on Learning Representations* (Toulon, France), Vol. 5. OpenReview.net.
- [210] Zhan Shi, Xinchu Chen, Xipeng Qiu, and Xuanjing Huang. 2018. Toward Diverse Text Generation with Inverse Reinforcement Learning. In *Proc. of the 27th International Joint Conference on Artificial Intelligence* (Stockholm, Sweden). AAAI Press, 4361–4367.
- [211] Mohammad Shoeybi, Mostofa Patwary, Raul Puri, Patrick LeGresley, Jared Casper, and Bryan Catanzaro. 2019. Megatron-LM: Training Multi-Billion Parameter Language Models Using Model Parallelism. arXiv:1909.08053
- [212] Jaskirat Singh, Cameron Smith, Jose Echevarria, and Liang Zheng. 2021. Intelli-Paint: Towards Developing Human-like Painting Agents. arXiv:2112.08930

- [213] Ivan Skorokhodov, Sergey Tulyakov, and Mohamed Elhoseiny. 2022. StyleGAN-V: A Continuous Video Generator with the Price, Image Quality and Perks of StyleGAN2. In *2022 IEEE Conference on Computer Vision and Pattern Recognition (CVPR)* (New Orleans, LA). IEEE.
- [214] Shaden Smith, Mostofa Patwary, Brandon Norick, Patrick LeGresley, Samyam Rajbhandari, Jared Casper, Zhun Liu, Shrimai Prabhumoye, George Zerveas, Vijay Korthikanti, Elton Zhang, Rewon Child, Reza Yazdani Aminabadi, Julie Bernauer, Xia Song, Mohammad Shoeybi, Yuxiong He, Michael Houston, Saurabh Tiwary, and Bryan Catanzaro. 2022. Using DeepSpeed and Megatron to Train Megatron-Turing NLG 530B, A Large-Scale Generative Language Model. arXiv:2201.11990
- [215] Charlie Snell. 2021. Alien Dreams: An Emerging Art Scene. Retrieved December 17, 2021 from ml.berkeley.edu/blog/posts/clip-art/.
- [216] Benjamin Sobel. 2020. A Taxonomy of Training Data: Disentangling the Mismatched Rights, Remedies, and Rationales for Restricting Machine Learning. *Artificial Intelligence and Intellectual Property* (2020), 36.
- [217] Jascha Sohl-Dickstein, Eric Weiss, Niru Maheswaranathan, and Surya Ganguli. 2015. Deep Unsupervised Learning using Nonequilibrium Thermodynamics. In *Proc. of the 32nd International Conference on Machine Learning* (Lille, France), Vol. 37. PMLR, 2256–2265.
- [218] Yang Song and Stefano Ermon. 2019. Generative Modeling by Estimating Gradients of the Data Distribution. In *Advances in Neural Information Processing Systems* (Vancouver, Canada), Vol. 32. Curran Associates, Inc.
- [219] Yang Song and Stefano Ermon. 2020. Improved Techniques for Training Score-Based Generative Models. In *Advances in Neural Information Processing Systems* (Online), Vol. 33. Curran Associates, Inc., 12438–12448.
- [220] Yang Song, Yascha Sohl-Dickstein, Diederik P. Kingma, Abhishek Kumar, Stefano Ermon, and Ben Poole. 2021. Score-Based Generative Modeling through Stochastic Differential Equations. In *International Conference on Learning Representations* (Online), Vol. 9. OpenReview.net.
- [221] Michael Steinbach, Levent Ertöz, and Vipin Kumar. 2004. The Challenges of Clustering High Dimensional Data. *New Directions in Statistical Physics* 213 (2004), 273–309.
- [222] Bob L. Sturm, João Felipe Santos, Oded Ben-Tal, and Iryna Korshunova. 2016. Music Transcription Modelling and Composition Using Deep Learning. In *1st Conference on Computer Simulation of Musical Creativity* (Huddersfield, UK).
- [223] Ilya Sutskever, Oriol Vinyals, and Quoc V. Le. 2014. Sequence to Sequence Learning with Neural Networks. In *Advances in Neural Information Processing Systems* (Montreal, Canada), Vol. 27. MIT Press, 3104–3112.
- [224] Masahiro Suzuki and Yutaka Matsuo. 2022. A Survey of Multimodal Deep Generative Models. *Advanced Robotics* 36, 5-6 (2022), 261–278.
- [225] Pradyumna Tambwekar, Murtaza Dhuliawala, Lara J. Martin, Animesh Mehta, Brent Harrison, and Mark O. Riedl. 2019. Controllable Neural Story Plot Generation via Reward Shaping. In *Proc. of the 28th International Joint Conference on Artificial Intelligence* (Macao, China). IJCAI, 5982–5988.
- [226] Wei Ren Tan, Chee Seng Chan, Hernán E. Aguirre, and Kiyoshi Tanaka. 2017. ArtGAN: Artwork Synthesis with Conditional Categorical GANs. In *2017 IEEE International Conference on Image Processing (ICIP)* (Beijing, China). IEEE, 3760–3764.
- [227] Yingtao Tian and David Ha. 2022. Modern Evolution Strategies for Creativity: Fitting Concrete Images and Abstract Concepts. In *Artificial Intelligence in Music, Sound, Art and Design. EvoMUSART 2022. Lecture Notes in Computer Science* (Madrid, Spain). Springer, Cham, 275–291.
- [228] Hannu Toivonen and Oskar Gross. 2015. Data Mining and Machine Learning in Computational Creativity. *WIREs Data Mining and Knowledge Discovery* 5, 6 (2015), 265–275.
- [229] Donald J. Treffinger. 1996. *Creativity, Creative Thinking, and Critical Thinking: In Search of Definitions*. Center for Creative Learning, Sarasota, FL.
- [230] Maria Tsimpoukelli, Jacob Menick, Serkan Cabi, S. M. Ali Eslami, Oriol Vinyals, and Felix Hill. 2021. Multimodal Few-Shot Learning with Frozen Language Models. In *Advances in Neural Information Processing Systems* (Online), Vol. 34. Curran Associates, Inc., 200–212.
- [231] Lewis Tunstall, Leandro von Werra, and Thomas Wolf. 2022. *Natural Language Processing with Transformers*. O’Reilly, Sebastopol, CA.
- [232] Alan M. Turing. 1950. Computing Machinery and Intelligence. *Mind* LIX, 236 (1950), 433–460.
- [233] Aaron Van Den Oord, Sander Dieleman, Heiga Zen, Karen Simonyan, Oriol Vinyals, Alex Graves, Nal Kalchbrenner, Andrew Senior, and Koray Kavukcuoglu. 2016. WaveNet: A Generative Model for Raw Audio. In *Proc. 9th ISCA Workshop on Speech Synthesis Workshop* (Sunnyvale, CA). 125.
- [234] Aaron Van Den Oord, Nal Kalchbrenner, and Koray Kavukcuoglu. 2016. Pixel Recurrent Neural Networks. In *Proc. of The 33rd International Conference on Machine Learning* (New York, NY), Vol. 48. PMLR, 1747–1756.
- [235] Aaron Van Den Oord, Nal Kalchbrenner, Oriol Vinyals, Lasse Espeholt, Alex Graves, and Koray Kavukcuoglu. 2016. Conditional Image Generation with PixelCNN Decoders. In *Advances in Neural Information Processing Systems* (Barcelona, Spain), Vol. 29. Curran Associates Inc., 4797–4805.
- [236] Aaron Van Den Oord, Oriol Vinyals, and Koray Kavukcuoglu. 2017. Neural Discrete Representation Learning. In *Advances in Neural Information Processing Systems* (Long Beach, CA), Vol. 30. Curran Associates, Inc., 6309–6318.
- [237] Lav R. Varshney. 2019. Mathematical Limit Theorems for Computational Creativity. *IBM Journal of Research and Development* 63, 1 (2019), 2:1–2:12.
- [238] Lav R. Varshney, Florian Pinel, Kush R. Varshney, Debarun Bhattacharjya, Angela Schoengendorfer, and Y-Min Chee. 2019. A Big Data Approach to Computational Creativity: The Curious Case of Chef Watson. *IBM Journal of Research and Development* 63, 1 (2019), 7:1–7:18.
- [239] Ashish Vaswani, Noam Shazeer, Niki Parmar, Jakob Uszkoreit, Llion Jones, Aidan N. Gomez, Lukasz Kaiser, and Illia Polosukhin. 2017. Attention is All you Need. In *Advances in Neural Information Processing Systems* (Long Beach, CA), Vol. 30. Curran Associates, Inc.
- [240] Dan Ventura. 2016. Mere Generation: Essential Barometer or Dated Concept?. In *Proc. of the 7th International Conference on Computational Creativity* (Paris, France). Sony CSL.
- [241] Gauthier Vernier, Hugo Caselles-Dupré, and Peirre Fautrel. 2020. Electric Dreams of Ukiyo: A series of Japanese Artworks Created by an Artificial Intelligence. *Patterns* 1, 2 (2020), 100026.
- [242] Zhengwei Wang, Qi She, and Tomás E. Ward. 2021. Generative Adversarial Networks in Computer Vision: A Survey and Taxonomy. *Comput. Surveys* 54, 2 (2021), 1–38.

- [243] Manuel Watter, Jost Tobias Springenberg, Joshka Boedecker, and Martin Riedmiller. 2015. Embed to Control: A Locally Linear Latent Dynamics Model for Control from Raw Images. In *Advances in Neural Information Processing Systems* (Montreal, Canada), Vol. 28. Curran Associates, Inc.
- [244] Max Welling and Yee Whye Teh. 2011. Bayesian Learning via Stochastic Gradient Langevin Dynamics. In *Proc. of the 28th International Conference on International Conference on Machine Learning* (Bellevue, WA). Omnipress, 681–688.
- [245] Geraint A. Wiggins. 2006. Searching for Computational Creativity. *New Generation Computing* 24 (2006), 209–222.
- [246] Ronald J. Williams. 1992. Simple statistical gradient-following algorithms for connectionist reinforcement learning. *Machine Learning* 8 (1992), 229–256.
- [247] Ho-Hsiang Wu, Prem Seetharaman, Kundan Kumar, and Juan Pablo Bello. 2022. Wav2CLIP: Learning Robust Audio Representations from Clip. In *ICASSP 2022 - 2022 IEEE International Conference on Acoustics, Speech and Signal Processing (ICASSP)* (Singapore, Singapore). IEEE, 4563–4567.
- [248] Jiajun Wu, Chengkai Zhang, Tianfan Xue, Bill Freeman, and Josh Tenenbaum. 2016. Learning a Probabilistic Latent Space of Object Shapes via 3D Generative-Adversarial Modeling. In *Advances in Neural Information Processing Systems* (Barcelona, Spain), Vol. 29. Curran Associates Inc., 82–90.
- [249] Chaowei Xiao, Bo Li, Jun-Yan Zhu, Warren He, Mingyan Liu, and Dawn Song. 2018. Generating Adversarial Examples with Adversarial Networks. In *Proc. of the 27th International Joint Conference on Artificial Intelligence* (Stockholm, Sweden). AAAI Press, 3905–3911.
- [250] Wilson Yan, Yunzhi Zhang, Pieter Abbeel, and Aravind Srinivas. 2021. VideoGPT: Video Generation using VQ-VAE and Transformers. arXiv:2104.10157
- [251] Xinchun Yan, Jimei Yang, Kihyuk Sohn, and Honglak Lee. 2016. Attribute2Image: Conditional Image Generation from Visual Attributes. In *Computer Vision – ECCV 2016. Lecture Notes in Computer Science* (Amsterdam, The Netherlands), Vol. 9908. Springer, Cham, 776–791.
- [252] Xiaoyuan Yi, Maosong Sun, Ruoyu Li, and Wenhao Li. 2018. Automatic Poetry Generation with Mutual Reinforcement Learning. In *Proc. of the 2018 Conference on Empirical Methods in Natural Language Processing* (Brussels, Belgium). ACL, 3143–3153.
- [253] Lantao Yu, Weinan Zhang, Jun Wang, and Yong Yu. 2017. SeqGAN: Sequence Generative Adversarial Nets with Policy Gradient. In *Proc. of the 31st AAAI Conference on Artificial Intelligence* (San Francisco, CA). AAAI Press, 2852–2858.
- [254] Han Zhang, Ian Goodfellow, Dimitris Metaxas, and Augustus Odena. 2019. Self-Attention Generative Adversarial Networks. In *Proc. of the 36th International Conference on Machine Learning* (Long Beach, CA), Vol. 97. PMLR, 7354–7363.
- [255] Susan Zhang, Stephen Roller, Naman Goyal, Mikel Artetxe, Moya Chen, Shuohui Chen, Christopher Dewan, Mona Diab, Xian Li, Xi Victoria Lin, Todor Mihaylov, Myle Ott, Sam Shleifer, Kurt Shuster, Daniel Simig, Punit Singh Koura, Anjali Sridhar, Tianlu Wang, and Luke Zettlemoyer. 2022. OPT: Open Pre-trained Transformer Language Models. arXiv:2205.01068
- [256] Xingxing Zhang and Mirella Lapata. 2014. Chinese Poetry Generation with Recurrent Neural Networks. In *Proc. of the 2014 Conference on Empirical Methods in Natural Language Processing* (Doha, Qatar). ACL, 670–680.
- [257] Yizhe Zhang, Zhe Gan, and Lawrence Carin. 2016. Generating Text via Adversarial Training. In *NeurIPS 2016 Workshop on Adversarial Training* (Barcelona, Spain). Curran Associates Inc.
- [258] Yizhe Zhang, Zhe Gan, Kai Fan, Zhi Chen, Ricardo Henao, Dinghan Shen, and Lawrence Carin. 2017. Adversarial Feature Matching for Text Generation. In *Proc. of the 34th International Conference on Machine Learning* (Sydney, Australia), Vol. 70. PMLR, 4006–4015.
- [259] Yanyi Zhang, Xinyu Li, Chunhui Liu, Bing Shuai, Yi Zhu, Biagio Brattoli, Hao Chen, Ivan Marsic, and Joseph Tighe. 2021. VidTr: Video Transformer Without Convolutions. In *2021 IEEE/CVF International Conference on Computer Vision (ICCV)* (Montreal, Canada). IEEE, 13577–13587.
- [260] Shengjia Zhao, Jiaming Song, and Stefano Ermon. 2017. Towards Deeper Understanding of Variational Autoencoding Models. arXiv:1702.08658
- [261] Tao Zhou, Chen Fang, Zhaowen Wang, Jimei Yang, Byungmoon Kim, Zhili Chen, Jonathan Brandt, and Demetri Terzopoulos. 2018. Learning to Sketch with Deep Q Networks and Demonstrated Strokes. arXiv:1810.05977
- [262] Jun-Yan Zhu, Taesung Park, Phillip Isola, and Alexei A. Efros. 2017. Unpaired Image-to-Image Translation Using Cycle-Consistent Adversarial Networks. In *2017 IEEE International Conference on Computer Vision (ICCV)* (Venice, Italy). IEEE, 2242–2251.
- [263] Brian D. Ziebart, Andrew Maas, J. Andrew Bagnell, and Anind K. Dey. 2008. Maximum Entropy Inverse Reinforcement Learning. In *Proc. of the 23rd AAAI Conference on Artificial Intelligence* (Chicago, IL). AAAI Press, 1433–1438.
- [264] Andrea Zugarini, Stefano Melacci, and Marco Maggini. 2019. Neural Poetry: Learning to Generate Poems Using Syllables. In *International Conference on Artificial Neural Networks* (Munich, Germany). Springer, 313–325.