

Multi-impurity chiral Kondo model: correlation functions and anyon fusion rules

Dor Gabay,¹ Cheolhee Han,¹ Pedro L. S. Lopes,² Ian Affleck,² and Eran Sela¹

¹*School of Physics and Astronomy, Tel Aviv University, Tel Aviv 6997801, Israel*

²*Department of Physics and Stewart Blusson Institute for Quantum Matter, University of British Columbia, Vancouver, Canada V6T 1Z1*

The multichannel Kondo model supports effective anyons on the partially screened impurity, as suggested by its fractional impurity entropy. It was recently demonstrated for the multi-impurity chiral Kondo model, that scattering of an electron through the impurities depends on, and thus can effectively measure, the total fusion channel of effective anyons living on the impurities. Here we study the correlation between impurity-spins. We argue, based on a combination of conformal field theory, a perturbative limit with a large number of channels k , and the exactly solvable two-channel case, that the inter-impurity spin correlation probes the anyon fusion of the pair of correlated impurities. This may allow, using measurement-only topological quantum computing protocols, to braid the multichannel Kondo anyons via consecutive measurements.

I. INTRODUCTION

Multichannel Kondo models display exotic behavior such as anomalous correlation functions^{1,2} and fractional impurity entropy³⁻⁶. The impurity-spin correlations, for example, are evaluated using conformal field theory (CFT) by expressing the impurity spin operator \vec{S} in terms of a field⁷ $\vec{S} \sim \vec{\Phi}(x=0)$ which carries an anomalous scaling dimension. The residual entropy³⁻⁵ is another remarkable property of the multichannel Kondo effect, which embodies a partial screening of the impurity spin which transform, otherwise inoffensive, magnetic moments into fractionalized particles. The leftover impurity degree of freedom, depicted as a blue filled circle in Fig. 1(a), takes the form of a Majorana fermion in the two-channel Kondo case^{8,9} and of generalized non-abelian anyons for multiple channels^{10,11}.

Based on the above, one may conclude that a multichannel Kondo model carrying multiple impurities may display a collection of effective anyons, decoupled from the underlying electronic bath by interaction and frustration effects. Based on this picture, some of us have put forward a proposal for leveraging a chiral multi-impurity Kondo model (c.f. Fig. 1(b)) – described by k channels of electrons co-propagating through M impurity spins – as a platform for realizing topological quantum computation¹⁰. Due to the fixed and linear geometry of the disposition of the impurities, direct braiding is not an attractive way of manipulating the anyonic information in this system. Therefore, we proposed to leverage a measurement-based topological quantum computation¹²⁻¹⁵ (MBTQC) scheme as a venue to perform computations with this architecture.

The development of an architecture for quantum computing involves few, but non-trivial, ingredients: one must identify (i) robust qubits, (ii) a method of quantum control, (iii) a measurement mechanism for extracting quantum information from the system. Point (i) was solved in our previous work, where we even proposed an experimental design based on integer quantum Hall systems¹⁶. Point (ii), while likely less trivial in our archi-

ture, has its importance downplayed in the MBTQC scheme where manipulation of quantum information can be reduced to a single preparation of a resource state in the beginning of the computing protocol. The focus of this manuscript is point (iii). In our previous work¹⁰, depicted in Fig. 1(c), the electronic propagator depended on the total fusion state, j_{tot} , of all M -anyons. This alone is not sufficient for MBTQC, where the measurement of the fusion channel of any desired pair of anyons must be performed.

We begin by assuming that point (ii) is solved. More specifically, that one is capable of preparing the impurity anyons in any desired pure state, as well as accessing any sector of the fusion space. In this scenario, we demonstrate that inter-impurity correlation functions, when computed within a desired sector of the fusion Hilbert space, display the information of the anyonic fusion sector. In other words, we show that the correlations of non-fractionalized microscopic operators on pure states in the anyon fusion space can be used as a window to strongly measure and collapse the quantum information shared non-locally by any pair of effective anyons in a given fusion channel. This considerably improves the method for addressing the previously outlined point (iii).

On technical grounds, the main picture we demonstrate in this work is that in the chiral multi-impurity Kondo model, the expression $\vec{S} \sim \vec{\Phi}(x=0)$ for a single impurity spin gets generalized to include an operator Γ_ℓ acting on the Hilbert space spanned by the anyons,

$$\vec{S}_\ell \sim \Gamma_\ell \vec{\Phi}(x_\ell), \quad (\ell = 1, \dots, M). \quad (1)$$

Within the fusion Hilbert space, the correlation function between different impurities not only displays the anomalous power law dependence on the time and space coordinates carried by the CFT field $\vec{\Phi}$, but also takes different values depending on the fusion outcome of the two anyons. For example, in the two-channel case, $\langle \vec{S}_m(\tau_1) \vec{S}_n(\tau_2) \rangle$ depends on the parity operator associated with effective Majorana fermions. For k channels, the topological quantum field theory describing the

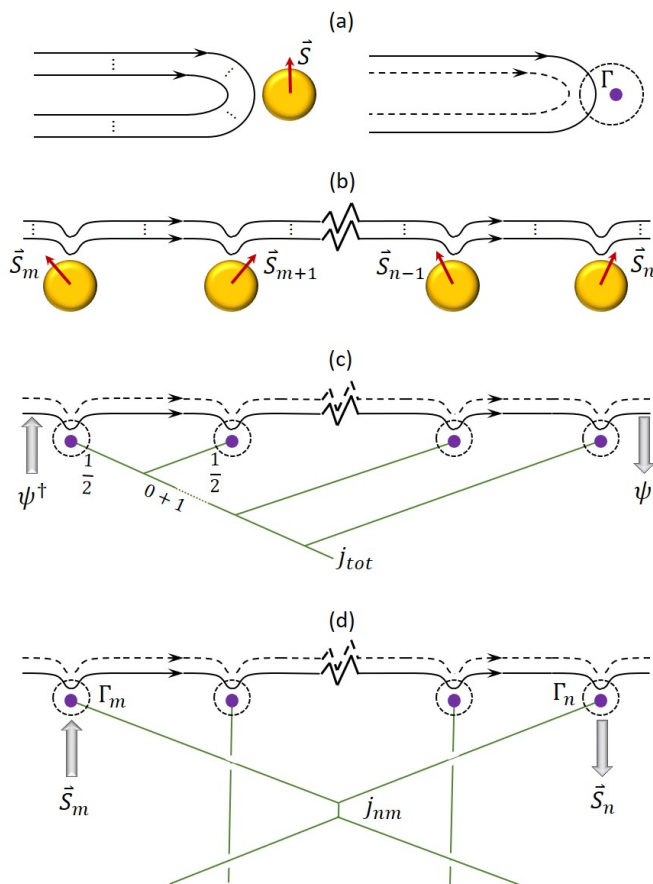


FIG. 1. (a) Left: k -channels of spinful conduction electrons interacting with a single impurity spin \vec{S} (yellow filled circle). Right: by virtue of the multi-channel Kondo effect, the impurity spin is partially coupled with the conduction electrons, leaving an anyonic operator denoted Γ (blue filled circle). (b) The multi-impurity chiral Kondo model. (c) Correlation functions such as the Green function $\langle \psi(x_1, t_1) \psi^\dagger(x_2, t_2) \rangle$ depend on the total fusion outcome j_{tot} of the spin-impurity anyons. (d) The impurity-spin correlation function $\langle S_m(t_1) S_n(t_2) \rangle$, on the other hand, probes the fusion outcome of the corresponding pair of anyons, j_{nm} .

anyon's fusion rules is $SU(2)_k$, with anyons labeled by a half-integer $j = 0, 1/2, 1, \dots, k/2$. We consider spin-1/2 impurities, hence the Γ_ℓ 's are associated with the $j = 1/2$ anyons of $SU(2)_k$. For $k \rightarrow \infty$ the $SU(2)_k$ fusion rules reduce to those of addition of angular momentum. Along these lines, the state-specific (non-thermal) correlation function of a pair of impurity spins S_n and S_m uniquely probes their fusion state j_{nm} , see Fig. 1(d). Explicitly, the fusion rule $1/2 \times 1/2 = 0 + 1$ ($k \geq 2$) implies two states shared by the n -th and m -th impurities.

The spin-spin correlation function, which presumably can be measured in experiment, takes different values for these two states. Our main endeavor in this paper is to demonstrate this claim. It means that measuring the spin-spin correlation can eventually allow one to perform a projective measurement in the fusion basis depicted in

Fig. 1(d).

Since the computation of correlation functions in the Kondo problem is made difficult by the strongly interacting nature of the system, we follow again the path that we threaded before, seeking to demonstrate our conjectured Eq. (18), using complementary methods and exactly solvable limits. Here we provide a technical innovation; the list of exactly solvable multi-channel Kondo problems features the two-channel case ($k = 2$)^{8,10} as the only non-trivial example, where anyons are Majorana fermions and their joint fusion state is described in terms of a parity operator. Taking note, however, that the electron-impurity coupling constant scales inversely with the number of channels at the non-trivial Kondo fixed points, we obtain another case where exact solution is possible: $k \rightarrow \infty$. This way, the large- k limit allows a perturbative treatment of the multi-channel Kondo interactions. For the multi-impurity problem this limit provides a transparent picture of the fusion of Kondo anyons which, as mentioned above, coincides with the usual rules of addition of angular momentum. In particular, it allows us to provide a clear picture of the distinction between regular thermal correlations and the specific-state correlations we are considering here, by leveraging the impurity-spin product space that provides the proper basis for the large- k calculations (c.f. Appendix A).

The outline of the paper is as follows. In Sec. II we review the key results of Lopes *et al.*¹⁰ and confirm them in the large- k limit. Building on this approach, in Sec. III we analyze multi-impurity correlations. In Sec. IV we apply refermionization methods for $k = 2$, in which the anyons take the form of Majorana fermions. We end in Sec. V with a summary and general remarks. Several appendices include details of the calculations.

II. CHIRAL KONDO MODEL, PREVIOUS RESULTS, AND LARGE k -LIMIT

The chiral M -impurity k -channel Kondo (k CK) system is described by the Hamiltonian $H = H_0 + H_K$. The first term H_0 is characteristic of k spinful chiral channels

$$H_0 = -\frac{v_F}{2\pi} \int dx \psi^\dagger i \partial_x \psi. \quad (2)$$

The indices of the spinor $\psi_{i\alpha}$ span $i = 1, \dots, k$ channels (flavors) and spin $\alpha = \uparrow, \downarrow$. The electrons are assumed to be right movers that propagate from infinity and scatter at the positions of the impurities x_1, \dots, x_M . The Hamiltonian H_K describes interaction of these spinful channels with M impurity spins \vec{S}_ℓ ,

$$H_K = \lambda \sum_{\ell=1}^M \int dx \left[\left(\psi^\dagger \frac{\boldsymbol{\sigma}}{2} \psi \right) \cdot \vec{S}_\ell \right] (x), \quad (3)$$

$$\vec{S}_\ell(x) = \begin{pmatrix} S_\ell^x \\ S_\ell^y \\ \Delta S_\ell^z \end{pmatrix} \delta(x - x_\ell).$$

Here, σ is the vector of Pauli matrices and λ is the exchange coupling constant. The spin-1/2 impurities are assumed to be consecutively ordered along the $2k$ chiral spin channels $x_\ell < x_{\ell+1}$, as depicted in Fig. 1(b), and each contain an anisotropic parameter Δ . Although the spin anisotropy is irrelevant for the low energy behavior⁸, it will allow for an exact solution of the 2CK systems.

For a single impurity ($M = 1$), Kondo physics is achieved below the Kondo energy $T_K = a^{-1}e^{-1/\lambda}$, where a^{-1} is the ultraviolet cutoff. The Kondo energy has a corresponding length scale $\xi_K = \hbar v_F/k_B T_K$ dictating the radius at which the spinful electrons are screened along the chiral channels. To alleviate any unwanted correlations in the presence of multiple impurities ($M > 1$)¹⁷, we will focus on the ‘dilute’ scenario whereby distances between consecutive impurities surpass the Kondo length $|x_{\ell+1} - x_\ell| \gg \xi_K$. This results in well defined anyon-like objects at each of the M impurities.

Kondo fixed points for spin- $\frac{1}{2}$ impurities can be described by two decoupled CFTs: $U(1) \times SU(2k)_1$, with the latter being a Wess-Zumino-Witten CFT. By level-rank duality¹⁸, $SU(2k)_1$ can be decomposed into $SU(2)_k \times SU(k)_2$, where the former describes the spin $SU(2)$ symmetry theory of primary field Φ_j , with its label spanning $j = 0, 1/2, 1, \dots, k/2$. The field $\Phi_{j=1}$ is a vector field which was denoted $\vec{\Phi}$ previously. These fixed points are typically tuned by symmetry breaking perturbations^{19–23}, and can be elegantly described by Cardy’s boundary CFT^{24–27}. Lopes *et al.*¹⁰ related an effective boundary scattering to a sequence of impurities by taking advantage of the associativity of $SU(2)_k$ fusion algebra, as depicted in Fig. 1(c). Given holomorphic coordinates for right movers $z = \tau - ix$, the asymptotic correlation of a primary field Φ_j , spatially located before $\text{Im}(z_1) < 0$ and after $\text{Im}(z_2) > 0$ the effective boundary, obtained by fusion with a j_{tot} anyon, can be expressed by the standard CFT result, up to a multiplicative factor²⁶

$$\langle \Phi_j(z_1) \Phi_j(z_2) \rangle_{j_{tot}} = \frac{1}{(z_1 - z_2)^{2\Delta_j}} \frac{S_j^{j_{tot}}/S_j^0}{S_0^{j_{tot}}/S_0^0}. \quad (4)$$

Per the fusion tree of Fig. 1(c), the ratio of S -modular matrices carries a dependence on the multifusion outcome of an effective anyon j_{tot} .

In this work, the primary fields Φ_j are those of the $SU(2)_k$ CFT and have conformal dimension $\Delta_j = j(j+1)/(2+k)$. For the $j = 1$ vector field $\vec{\Phi}$ the conformal dimension is $\Delta_1 = 2/(2+k)$. The S -modular matrix for $SU(2)_k$ is given by¹

$$S_j^{j'} = \sqrt{\frac{2}{2+k}} \sin \left[\frac{\pi(2j+1)(2j'+1)}{2+k} \right]. \quad (5)$$

For the calculation of physical correlation functions, such as the Green’s function $\langle \psi(z_1) \psi^\dagger(z_2) \rangle$, one has to express the physical field operator ψ , in terms of factors from the $U(1)$, $SU(k)_2$, and $SU(2)_k$ theories, see Ref. 1. One then applies Eq. (4), involving the ratio of S -matrices, only

to the primary field from the spin sector, whereas the correlations from other sectors remain trivial, i.e. dictated by their scaling dimension. The fermion field ψ being a spinor, involves the $j = 1/2$ spinor field $\Phi_{1/2}$ from $SU(2)_k$. For $SU(2)_1$, the fusion rule $1/2 \times 1/2 = 0$ results in a unique fusion outcome. Effectively, all chiral one-channel Kondo models with M odd (even) impurities behave in a similar fashion to one (no) impurity. In these two cases, the ratio of S -matrices in Eq. (4), with $j = 1/2$ and either $j_{tot} = 1/2$ or 0 , give ∓ 1 , where the -1 corresponds to the Fermi-liquid $\pi/2$ phase shift of the single channel Kondo effect.

For $SU(2)_2$ and an even number of impurities, the ratio of S -modular matrices for fermions with $j = 1/2$ take two possible values ± 1 . This exemplifies the dependence of an electronic correlation function on the fusion outcome of the impurities, $1/2 \times 1/2 \times \dots \times 1/2 = j_{tot} = 0, 1$ as in Fig. 1(c). This outcome has been verified using the Emery-Kivelson (EK) prescription⁸, whereby a unitary transformation results in a remnant phase that is equivalent to a parity factor. In the following section, we further demonstrate that the fusion dependence can be reproduced using perturbation theory in the large- k limit.

Large- k Limit

In the large- k limit, the coupling constant λ in the Hamiltonian of Eq. (3) becomes gradually smaller, with its renormalization group flow trending as $\lambda = 2/k^{28}$. The nontrivial outcome of the ratio of S -modular matrices can therefore be verified by comparing the lowest-order expansion of S -modular matrices to perturbation theory. For a single impurity, this results in a $\mathcal{O}(1/k^2)$ correction¹

$$\frac{S_{1/2}^{1/2}/S_{1/2}^0}{S_0^{1/2}/S_0^0} = 1 - \frac{3\pi^2}{2k^2} + \dots \quad (6)$$

A derivation of this result from perturbation theory for fermions, demonstrated in Appendix B and performed in Ref. 1, serves as a rigorous cross check of the fusion ansatz.

For multiple impurities, a similar test can be constructed for the multifusion ansatz. Using Eq. (5), the ratio of S -modular matrices is expanded for large- k as

$$\frac{S_{1/2}^{j_{tot}}/S_{1/2}^0}{S_0^{j_{tot}}/S_0^0} = 1 - 2\frac{\pi^2}{k^2} j_{tot}(j_{tot} + 1) + \dots \quad (7)$$

We can now use perturbation theory to demonstrate that, for a two-point fermionic correlator from holomorphic coordinate $\text{Re}\{w\}$ to $\text{Re}\{z\}$ with $\text{Im}\{z\} < 0$ and $\text{Im}\{w\} > 0$, the multifusion ansatz correctly generates the $\mathcal{O}(1/k^2)$ coefficient in Eq. (7). To achieve this, we begin by prescribing an ultraviolet cutoff a to the inter-

acting Hamiltonian of Eq. (3)

$$H_K = \frac{\lambda}{a^2} \sum_{\ell=1}^M \int_{-a/2}^{a/2} dx \int_{-a/2}^{a/2} dy \left[\left(\psi^\dagger(x) \frac{\boldsymbol{\sigma}}{2} \psi(y) \right) \cdot \vec{S}_\ell \right].$$

Using a path integral approach, we can then expand the exponential of the Kondo action to second-order within the fermionic correlator to arrive at

$$\begin{aligned} \langle \psi_{i\alpha}(z) \psi_{q\beta}^\dagger(w) \rangle &= \langle \psi_{i\alpha}(z) \psi_{q\beta}^\dagger(w) \rangle_0 + \frac{\lambda^2}{8a^4} \sum_{\ell\ell'=1}^M \int_{-a/2}^{a/2} dx_1 \cdots dx_4 \\ &\times \int d\tau' d\tau'' \langle \psi_{i\alpha}(z) \psi_{q\beta}^\dagger(w) \psi_{m\gamma}^\dagger(\tau', x_1) \psi_{m\delta}(\tau', x_2) \psi_{n\mu}^\dagger(\tau'', x_3) \psi_{n\nu}(\tau'', x_4) \rangle \sum_{ab} \sigma_{\gamma\delta}^a \sigma_{\mu\nu}^b \langle S_\ell^a(\tau') S_{\ell'}^b(\tau'') \rangle. \end{aligned} \quad (9)$$

Here, summation is assumed over repeated indices. Due to the rotational invariance of the impurity spin, its expectation value vanishes (i.e. $\langle S^a \rangle = 0$) and the first-order contribution dropped out. The zeroth-order contribution is the free-field Green's function

$$\langle \psi_{i\alpha}(z) \psi_{q\beta}^\dagger(w) \rangle_0 = \frac{\delta_{iq} \delta_{\alpha\beta}}{z - w}. \quad (10)$$

We can then apply Wick's theorem to the six-point fermionic correlator within the second-order contribution. By keeping only the fully connected contractions, we get

$$\begin{aligned} \frac{\lambda^2}{8a^4} \sum_{\ell\ell'=1}^M \int_{-a/2}^{a/2} dx_1 \cdots dx_4 \int d\tau' d\tau'' &\left[\langle \psi_{i\alpha}(z) \psi_{m\gamma}^\dagger(\tau', x_1) \rangle_0 \langle \psi_{m\delta}(\tau', x_2) \psi_{n\mu}^\dagger(\tau'', x_3) \rangle_0 \langle \psi_{n\nu}(\tau'', x_4) \psi_{q\beta}^\dagger(w) \rangle_0 \right. \\ &\left. + \langle \psi_{i\alpha}(z) \psi_{n\mu}^\dagger(\tau'', x_3) \rangle_0 \langle \psi_{m\delta}(\tau', x_2) \psi_{q\beta}^\dagger(w) \rangle_0 \langle \psi_{n\nu}(\tau'', x_4) \psi_{m\gamma}^\dagger(\tau', x_1) \rangle_0 \right] \sum_{ab} \sigma_{\gamma\delta}^a \sigma_{\mu\nu}^b \langle S_\ell^a(\tau') S_{\ell'}^b(\tau'') \rangle. \end{aligned} \quad (11)$$

Using the free-field Green's function of Eq. (10), spin SU(2) symmetry $\langle S_\ell^a(\tau') S_{\ell'}^b(\tau'') \rangle = \delta^{ab} \langle S_\ell^z(\tau') S_{\ell'}^z(\tau'') \rangle$, the identity in Eq. (B2), and reversing the integration order $\tau' \leftrightarrow \tau''$ in the second component within the square bracket of Eq. (11), we arrive at

$$\langle \psi_{i\alpha}(z) \psi_{q\beta}^\dagger(w) \rangle_{(2)} = \frac{\lambda^2}{8a^2} \sum_{\ell\ell'=1}^M \int_{-a/2}^{a/2} dx_1 dx_4 \int d\tau' d\tau'' \frac{6\delta_{iq} \delta_{\alpha\beta}}{(z - \tau') [\tau' - \tau'' - i(x_1 - x_4)] (\tau'' - w)} \langle S_\ell^z(\tau') S_{\ell'}^z(\tau'') \rangle. \quad (12)$$

We ignore any sum of x_p (for $p = 1, \dots, 4$) with z, w under the assumption that $|\text{Im}(z)|, |\text{Im}(w)| \gg a$. We are then left with determining the expectation value of the 2-spin correlator. Before proceeding, we take a short detour clarifying our formal definition of impurity-spin expectation values, see also Appendix A.

Expectation Values: Consider the correlation function of a pair of decoupled spin-1/2 impurities $\ell \neq \ell'$ appearing in Eq. (12). Combining their singlet and triplet total angular momentum sectors, their thermal average would naturally result in zero expectation value,

$$\begin{aligned} \langle S_n^a S_m^b \rangle_T &= \frac{\delta^{ab}}{3} \langle \vec{S}_n \vec{S}_m \rangle_T \\ &= \frac{\delta^{ab}}{6} \left[\langle (\vec{S}_n + \vec{S}_m)^2 \rangle_T - \langle \vec{S}_n^2 \rangle_T - \langle \vec{S}_m^2 \rangle_T \right] \\ &= \frac{\delta^{ab}}{24} \text{Tr} \left[\begin{pmatrix} 0 & & & \\ & 2 & & \\ & & 2 & \\ & & & 2 \end{pmatrix} - \frac{3}{2} \mathcal{I}_{4 \times 4} \right] = 0, \quad (n \neq m). \end{aligned} \quad (13)$$

A normalization factor of 1/4 appears in the last line, as the thermal expectation value for M decoupled spins is defined as $\langle A \rangle_T = \frac{\text{Tr} A}{2^M}$. The equality in the first line of Eq. 13 is attained by recognizing that only the scalar component of the dyadic (i.e. rank 2 tensor formed of two vectors) has nonzero expectation value by rotational invariance, while its irreducible antisymmetric and symmetric tensor components do not contribute.

In this work, we are not interested in the thermal equilibrium, but rather in specific total angular momentum sectors of the set of correlated impurities. Jumping ahead, our motivation is to consider time evolution through the quantum computation of anyon states, obtained by a sequence of previous projective measurements. More specifically, in considering the 2-spin correlator, we are interested separately in the singlet and triplet states spanned by the two spins in Eq. (13). To that end, the 2-spin correlator would contain an index

$j_{nm} = 0, 1$ spanning these two states, and

$$\left\langle S_n^a(\tau') S_m^b(\tau'') \right\rangle_{j_{nm}} = \frac{\delta^{ab}}{6} \left[j_{nm}(j_{nm} + 1) - \frac{3}{2} \right]. \quad (14)$$

More generally, the expectation value of M -impurity spins would take the form

$$\langle A \rangle_j = \frac{\text{Tr}_j A}{2j + 1}, \quad (15)$$

where the trace is taken over the j -th multiplet of size $(2j + 1)$.

We now proceed with the calculation of the Green's function. By inserting the two sums within Eq. (12) into the 2-spin correlator, we recognize that, in an analogous way to Eq. (14), the total angular momentum sectors of M -impurity spins can elegantly be captured

$$\begin{aligned} \sum_{\ell\ell'} \left\langle S_\ell^a(\tau') S_{\ell'}^b(\tau'') \right\rangle_{j_{tot}} &= \frac{\delta^{ab}}{3} \left\langle \left(\sum_{\ell} \vec{S}_\ell \right)^2 \right\rangle_{j_{tot}} \quad (16) \\ &= \frac{\delta^{ab}}{3} j_{tot}(j_{tot} + 1), \end{aligned}$$

where the index j_{tot} now spans the total angular momentum sectors of M -impurities. The spatial coordinates of the impurities within the integral can be assumed to be negligible so long as $\text{Im}(z), \text{Im}(w) \gg x_n$ for $n = 1, \dots, M$ (see Appendix C). The spatio-temporal integrals of Eq. (12) can then be evaluated, as is done in Appendix C, to show that the second-order contribution in $1/k$ correctly corresponds to Eq. (7),

$$\langle \psi_{i\alpha}(z) \psi_{q\beta}^\dagger(w) \rangle_{j_{tot}} = \frac{\delta_{iq} \delta_{\alpha\beta}}{z - w} \left[1 - 2 \frac{\pi^2}{k^2} j_{tot}(j_{tot} + 1) + \dots \right]. \quad (17)$$

This approach provides a simple picture for the fusion rules, which become those of conventional $\text{SU}(2)$ spins in the large- k limit.

III. IMPURITY-SPIN CORRELATIONS: LARGE- k LIMIT

In the previous section we focused on the Green's function. This is an example of a correlation function of

fields evaluated far from the impurities, which we term "asymptotic correlators." As such, they probe the total fusion state. In this section we show that, unlike asymptotic correlations, impurity-spin correlations probe the internal structure of the fusion-tree. We conjecture a general form of the leading order contribution to the impurity-spin correlation function,

$$\langle S_n^a(z_n) S_m^b(z_m) \rangle_{j_{nm}} \approx \delta^{ab} \frac{\mathcal{F}_k(j_{nm})}{(z_n - z_m)^{\frac{4}{2+k}}}, \quad (k \geq 2). \quad (18)$$

Here, $j_{nm} = 0, 1$ spans the total angular momentum sectors of impurity spins \vec{S}_m and \vec{S}_n . This expression, in accordance with Eq. (1), shows on the one hand the power law dependence on the coordinates $(z_n - z_m)$ dictated by the primary field $\vec{\Phi}$, and on the other hand carries a dependence on the fusion state. Our large k results below are consistent with

$$\mathcal{F}_{k \rightarrow \infty}(j_{nm}) = \frac{1}{6} j_{nm}(j_{nm} + 1) - \frac{1}{4}. \quad (19)$$

From this equation, the impurity spin correlator probes the fusion state of the specific pair of anyons, independently of the impurity spins between them. In this section we confirm this conjecture in the large k -limit.

Single Impurity

We begin by studying the single impurity-spin correlation using perturbation theory in the large- k limit. The intra-impurity-spin correlation can be derived perturbatively to second-order in λ by expanding the exponential of the Hamiltonian in path integral form,

$$\langle S^a(\tau_n) S^b(\tau_m) \rangle = \langle S^a(\tau_n) S^b(\tau_m) \rangle_0 + \frac{\lambda^2}{2} \sum_{cd} \int d\tau' d\tau'' \langle S^a(\tau_n) S^b(\tau_m) (J^c S^c)(\tau') (J^d S^d)(\tau'') \rangle.$$

Here, $J^a = \frac{1}{2} \psi^\dagger \sigma^a \psi$ is the spin density field. The zeroth-order contribution is quite trivial, giving

$$\langle S^a(\tau_n) S^b(\tau_m) \rangle_0 = \frac{\delta^{ab}}{4}. \quad (20)$$

The first-order contribution vanishes by rotational invariance, since $\langle \vec{J} \rangle = 0$. This leaves us with the second order contribution, containing a nontrivial 4-spin correlator

$$\langle S^a(\tau_n)S^b(\tau_m) \rangle_{(2)} = \frac{k}{4}\lambda^2 \int d\tau' d\tau'' \frac{\delta^{ab}}{(\tau' - \tau'' - i\epsilon)^2} \sum_c \langle S^a(\tau_n)S^a(\tau_m)S^c(\tau')S^c(\tau'') \rangle, \quad (21)$$

where we utilize the free spin density field operator product expansion (OPE)

$$[J^a(z), J^b(w)] = \frac{k}{2} \frac{\delta^{ab}}{(z-w)^2} + \frac{i\epsilon^{abc} J^c}{z-w}. \quad (22)$$

The second term of the OPE does not contribute to Eq. (21). The infinitesimal value ϵ is fictitiously prescribed to capture the logarithmic divergence from the integral evaluation done in Appendix D. It is now a matter of recognizing the various time-orderings resulting from the spin correlator to determine whether a nonzero second-order contribution exists. More generally, the 4-spin correlator can be re-expressed as

$$\langle S^a S^b S^c S^d \rangle = \frac{1}{16} (\delta^{ab}\delta^{cd} - \delta^{ac}\delta^{bd} + \delta^{ad}\delta^{bc}). \quad (23)$$

For $\tau' > \tau''$, the spin indices in Eq. (21) for the six possible time orderings [numbers (1)-(6) depicted in Fig. 5(a)] can then be expressed as

$$\begin{aligned} (1) &= \sum_c \langle S^a(\tau_n)S^a(\tau_m)S^c(\tau')S^c(\tau'') \rangle = \frac{3}{16}, \\ (2) &= \sum_c \langle S^a(\tau_n)S^c(\tau')S^a(\tau_m)S^c(\tau'') \rangle = -\frac{1}{16}, \\ (3) &= \sum_c \langle S^a(\tau_n)S^c(\tau')S^c(\tau'')S^a(\tau_m) \rangle = \frac{3}{16}, \\ (4) &= \sum_c \langle S^c(\tau')S^a(\tau_n)S^c(\tau'')S^a(\tau_m) \rangle = \frac{3}{16}, \\ (5) &= \sum_c \langle S^c(\tau')S^a(\tau_i)S^a(\tau_m)S^c(\tau'') \rangle = -\frac{1}{16}, \end{aligned}$$

As before, the first-order contribution is null due to the expectation value of the spin density. The zeroth- and second-order contributions of the inter-impurity-spin correlator for impurity spins at holomorphic coordinates $z_n = \tau_n - ix_n$ and $z_m = \tau_m - ix_m$ are

$$\begin{aligned} \langle S_n^a(z_n)S_m^b(z_m) \rangle &= \langle S_n^a(\tau_n)S_m^b(\tau_m) \rangle_0 \\ &+ \frac{\lambda^2}{2} \sum_{\ell\ell'=1}^M \sum_{cd} \int d\tau' d\tau'' \langle S_n^a(\tau_n)S_m^b(\tau_m)J^c(z')S_\ell^c(\tau')J^d(z'')S_{\ell'}^d(\tau'') \rangle. \end{aligned} \quad (27)$$

The zeroth-order contribution can be evaluated by adopting the result of Eq. (14), where $j_{nm} = 0, 1$ represents the different total angular momentum sectors generated by the pair of spins. This procedure is different from tracing over the total angular momentum sectors, as emphasized in the previous section.

Using the OPE of Eq. (22), the second-order contribution to the inter-impurity-spin correlator is

$$\langle S_n^a(z_n)S_m^b(z_m) \rangle_{(2)} = \frac{k}{4}\lambda^2 \sum_{\ell\ell'=1}^M \int d\tau' d\tau'' \frac{\delta^{ab}}{(\tau' - \tau'' - i\Delta x)^2} \sum_c \langle S_n^a(\tau_n)S_m^a(\tau_m)S_\ell^c(\tau')S_{\ell'}^c(\tau'') \rangle, \quad (28)$$

$$(6) = \sum_c \langle S^c(\tau')S^c(\tau'')S^a(\tau_n)S^a(\tau_m) \rangle = \frac{3}{16}. \quad (24)$$

Inserting this result back into Eq. (21) and evaluating the integral, as is done in Appendix D, we obtain a logarithmic k -dependent correction to the impurity-spin correlator

$$\langle S^a(\tau_n)S^b(\tau_m) \rangle = \frac{\delta^{ab}}{4} \left[1 - \frac{4}{k} \log(\tau_n - \tau_m) + \mathcal{O}\left(\frac{1}{k^2}\right) \right]. \quad (25)$$

Interestingly, using $\vec{S} \sim \mathcal{C}\vec{\Phi}(x=0)$ with some nonuniversal constant \mathcal{C} , as in Ref. 7, we have

$$\langle S^a(\tau_n)S^b(\tau_m) \rangle \propto \delta^{ab} \frac{|\mathcal{C}|^2}{(\tau_n - \tau_m)^{\frac{4}{2+k}}}. \quad (26)$$

Equation (25) contains the first two terms in the large- k expansion of this CFT result. In what follows, we show that a similar expression is attained in the multi-impurity scenario, up to a nontrivial factor associated to the total spin sectors of the correlated impurities.

Multiple Impurities

In the multi-impurity scenario, the Kondo Hamiltonian contains a sum over M impurity spins. This sum is carried over to the first and second order perturbation terms.

where $\Delta x = x_\ell - x_{\ell'}$.

Evaluating this integral is more cumbersome than the one-impurity case. One has to consider all of the possible impurity configurations within the 4-spin correlator, as is done in Appendix E. After evaluating this integral and letting λ trend as $2/k$, the zeroth- and second-order contributions to the inter-impurity correlator in the large- k limit are

$$\langle S_n^a(\tau_n) S_m^b(\tau_m) \rangle_{j_{nm}} = \delta^{ab} \left(\frac{1}{6} j_{nm} (j_{nm} + 1) - \frac{1}{4} \right) \left[1 - \frac{4}{k} \log(\tau_n - \tau_m) + \mathcal{O}\left(\frac{1}{k^2}\right) \right]. \quad (29)$$

This is quite remarkable. We obtain the same expression as the large- k limit of the single impurity scenario, i.e. Eq. (25), up to a factor $\frac{1}{6} j_{nm} (j_{nm} + 1) - \frac{1}{4}$ dictating the total angular momentum sectors of the correlated impurity spins (i.e., either a singlet or triplet corresponding to values of $-1/4$ and $1/12$, respectively). To leading order, Eq. (29) can be understood within the framework of CFT by expanding the ℓ -th impurity-spin \vec{S}_ℓ as⁷

$$\vec{S}_\ell \sim \Gamma_\ell \vec{\Phi}. \quad (30)$$

In the large- k limit, inter-impurity-spin correlations, following this expansion, would result in Eq. (18). The additional dependence on j_{nm} implies that, instead of Eq. (26), the impurity-spin effectively has an operator Γ_ℓ acting nontrivially on the anyon sector.

The prescribed impurity-spins allow us to probe their internal fusion-tree states independently of the impurity-spins residing between them. In the following section, this outcome will be demonstrated for two-channel Kondo systems.

IV. IMPURITY-SPIN CORRELATIONS - 2CK

Upon scattering at an impurity, electrons in the k CK problem are completely transformed into collective degrees of freedom. Remarkably, using the EK prescription⁸, which consists of a bosonization and refermionization procedure, this process can be described explicitly. More so, impurity-spin correlations can be calculated exactly for $k = 2$. Before calculating these correlation functions, we review the notation introduced in the work of Lopes *et al.*¹⁰. The impatient reader may skip to subsection IV A.

We begin by bosonizing^{29,30}

$$\psi_{i\alpha}(x) = a^{-1/2} \kappa_{i\alpha} e^{-i\tilde{\phi}_{i\alpha}(x)}, \quad (31)$$

where $\kappa_{i\alpha}$ are Klein factors. Channel and spin indices span $i = 1, 2$ and $\alpha = \uparrow, \downarrow$, respectively. The spin-channel bosons $\tilde{\phi}_{i\alpha}$ obey the commutation relations

$$[\tilde{\phi}_{i\alpha}(x), \tilde{\phi}_{j\beta}(y)] = i\pi \delta_{i\alpha} \delta_{\alpha\beta} \text{sgn}(x - y), \quad (32)$$

while the Klein factors obey

$$\{\kappa_{i\alpha}, \kappa_{j\beta}\} = 2\delta_{i\alpha} \delta_{\alpha\beta}. \quad (33)$$

We can express the Hamiltonians of Eqs. (2)-(3) in a more convenient basis by mapping the spin-channel densities to their charge (c), spin (s), flavor (f), and spin-flavor (sf) degrees of freedom. The orthogonal transformation

$$\begin{pmatrix} \mathcal{N}_c \\ \mathcal{N}_s \\ \mathcal{N}_f \\ \mathcal{N}_{sf} \end{pmatrix} = \frac{1}{2} \begin{pmatrix} 1 & 1 & 1 & 1 \\ 1 & -1 & 1 & -1 \\ 1 & 1 & -1 & -1 \\ 1 & -1 & -1 & 1 \end{pmatrix} \begin{pmatrix} \tilde{\mathcal{N}}_{1\uparrow} \\ \tilde{\mathcal{N}}_{1\downarrow} \\ \tilde{\mathcal{N}}_{2\uparrow} \\ \tilde{\mathcal{N}}_{2\downarrow} \end{pmatrix} \quad (34)$$

is performed, where the spin-channel density $\tilde{\mathcal{N}}_{i\alpha}$ is

$$\tilde{\mathcal{N}}_{i\alpha} = \int \frac{dx}{2\pi} \psi_{i\alpha}^\dagger \psi_{i\alpha}. \quad (35)$$

In this alternative basis, the commutation relations for the bosonic fields remain the same

$$[\phi_\eta(x), \phi_{\eta'}(y)] = i\pi \delta_{\eta\eta'} \text{sgn}(x - y), \quad (\eta = c, s, f, sf). \quad (36)$$

The charge and flavor degrees of freedom decouple. The new Klein factors satisfy³⁰

$$\kappa_{1\uparrow}^\dagger \kappa_{1\downarrow} = \kappa_{sf}^\dagger \kappa_s^\dagger, \quad (37)$$

$$\kappa_{2\uparrow}^\dagger \kappa_{2\downarrow} = \kappa_{sf}^\dagger \kappa_s^\dagger, \quad (38)$$

$$\kappa_{1\uparrow}^\dagger \kappa_{2\uparrow} = \kappa_{sf}^\dagger \kappa_f^\dagger, \quad (39)$$

with anti-commutation relations $\{\kappa_\eta, \kappa_{\eta'}\} = 2\delta_{\eta\eta'}$.

The strong coupling limit of the bosonized Hamiltonian, not including symmetry breaking perturbations, includes only the spin and spin-flavor degrees of freedom

$$H_0 = \sum_\eta \int \frac{dx}{4\pi} (\partial_x \phi_\eta)^2, \quad (40)$$

$$H_{K,+} = \frac{\lambda_+}{2a} \sum_{\ell=1}^M \left(\kappa_{sf}^\dagger e^{i\phi_{sf}(x_\ell)} + \kappa_{sf} e^{-i\phi_{sf}(x_\ell)} \right) \times \left(S_\ell^- \kappa_s^\dagger e^{i\phi_s(x_\ell)} - S_\ell^+ \kappa_s e^{-i\phi_s(x_\ell)} \right), \quad (41)$$

$$H_{K,z} = \lambda_z \sum_{\ell=1}^M \partial_x \phi_s(x_\ell) S_\ell^z. \quad (42)$$

Here, we use $v_F = 1$. The coupling constants $\lambda_z = \Delta\lambda$ and $\lambda_+ = \lambda$ are assumed to be equal for all impurities

and we define $S_\ell^\pm = S_\ell^x \pm iS_\ell^y$.

We can further decouple the spin and spin-flavor degrees of freedom at the Toulouse point $\lambda_z = 1$ by applying a particular unitary transformation $\mathcal{U} = U_M \cdots U_1$, with U_ℓ transforming each impurity

$$U_\ell = e^{i\lambda_z S_\ell^z \phi_s(x_\ell)}. \quad (43)$$

By carefully considering the chiral bosonic commutation relations, impurity spin commutation relations, and ordering of the impurities, only the spin-flavor remains in the strong-coupling limit of the Hamiltonian. This result can then be refermionized by use of the identity

$$\psi_\eta(x) = a^{-1/2} \kappa_\eta e^{-i\phi_\eta(x)}, \quad (44)$$

resulting in a significantly simplified Hamiltonian

$$H_0 = - \sum_\eta \int \frac{dx}{2\pi} \psi_\eta^\dagger i \partial_x \psi_\eta, \quad (45)$$

$$H_{K,+} = \frac{\lambda_+}{2\sqrt{a}} \sum_{\ell=1}^M \left[\psi_{sf}^\dagger(x_\ell) + \psi_{sf}(x_\ell) \right] (d_\ell - d_\ell^\dagger), \quad (46)$$

where the complex impurity fermion resembles Jordan-Wigner-like strings

$$d_\ell = \kappa_s^\dagger S_\ell^- e^{i\pi \sum_{m=\ell+1}^M S_m^z}. \quad (47)$$

Clearly, the Toulouse limit of the 2CK problem in the refermionized form is exactly solvable. In further introducing the Majorana basis

$$\psi_\eta = \frac{\chi_\eta^1 + i\chi_\eta^2}{\sqrt{2}}, \quad d_\ell = \frac{a_\ell + ib_\ell}{\sqrt{2}}, \quad (48)$$

the Hamiltonian can be further simplified

$$H = - \int \frac{dx}{4\pi} \chi_{sf}^1 i \partial_x \chi_{sf}^1 + i \frac{\lambda_+}{\sqrt{a}} \sum_{\ell=1}^M \chi_{sf}^1(x_\ell) b_\ell. \quad (49)$$

In the absence of symmetry breaking perturbations, only the set of Majoranas b_1, \dots, b_M are strongly coupled, while their fractionalized pairs a_1, \dots, a_M are entirely free, resulting in a $\frac{1}{2} \log 2$ residual entropy per impurity.

A. Correlations

We now calculate the impurity-spin correlation for the Hamiltonian of Eq. (49). We begin with the z -component of the impurity spin. It is immediately evident that the unitary transformation has no effect on S_ℓ^z . We therefore proceed to expressing the correlator in Majorana form using the identity $S_\ell^z = ia_\ell b_\ell$. The Majorana a_ℓ is completely decoupled from the Hamiltonian Eq. (49), leaving only the strongly coupled Majorana b_ℓ . It has been demonstrated, both for single and multiple impurities, that the latter Majoranas are absorbed by the conduc-

tion electrons in the 2CK process.^{10,31–33} This allows us to use the following identity

$$S_\ell^z \cong \frac{i}{\pi \lambda_+} a_\ell \chi_{sf}^1(z_\ell). \quad (50)$$

This is an explicit form of Eq. (1), where the anyonic operator Γ_ℓ is now represented by a Majorana fermion a_ℓ . The field χ_{sf}^1 has scaling dimension $1/2$ and can be identified with the z -component of $\vec{\Phi}$.

By inserting Eq. (50) into the longitudinal inter-impurity-correlation and recognizing that $\chi_{sf}^1 = (\psi_{sf}^\dagger + \psi_{sf})/\sqrt{2}$, we arrive at the correlator

$$\langle S_n^z S_m^z \rangle = \frac{\mathcal{P}_a}{4i\pi^2 \lambda_+^2} \langle \psi_{sf}(z_n) \psi_{sf}^\dagger(z_m) \rangle \quad (51)$$

$$= \frac{1}{2i\pi^2 \lambda_+^2} \frac{\mathcal{P}_a}{z_n - z_m}. \quad (52)$$

Here, $\mathcal{P}_a = 2ia_n a_m$ is the parity factor associated to Majoranas a_n and a_m . Quite remarkably, independent of the order of the M impurities, the correlation of the two measured impurity spins does not depend on the remaining $M - 2$ impurities within the system.

Notice the factor of i in Eq. (52) compared to the $k \rightarrow \infty$ limit in Eq. (18). For a single impurity, the longitudinal intra-impurity correlation correctly corresponds to Eq. (26)

$$\langle S^z(\tau_n) S^z(\tau_m) \rangle = \frac{1}{2\pi^2 \lambda_+^2} \frac{1}{\tau_n - \tau_m}, \quad (53)$$

where $a^2 = \frac{1}{2}$. This does not occur for the inter-impurity correlation of Eq. (52), where the operator $a_n a_m = \frac{1}{2i} \mathcal{P}_a$ is anti-Hermitian. Such a discrepancy may occur at small- k due to the k -dependence of \mathcal{F}_k in Eq. (18).

The same result can be attained for the transverse impurity-spin correlation $\langle S_n^+ S_m^- \rangle$. To exemplify this, we follow the EK prescription, starting by carefully applying the unitary transformation outlined in Eq. (43)

$$\mathcal{U} S_n^\pm \mathcal{U}^{-1} = S_n^\pm e^{\pm i\phi_s(x_n)} e^{\mp i\pi \sum_{\ell=n+1}^M S_\ell^z}. \quad (54)$$

After mapping the impurity spins to their Jordan-Wigner-like strings, the correlator between impurity spin S_n^+ and S_m^- at holomorphic coordinates $z_n = \tau_n - ix_n$ and $z_m = \tau_m - ix_m$, respectively, is

$$\begin{aligned} \langle S_n^+ S_m^- \rangle &= \\ &= \langle S_n^+ e^{i\phi_s(z_n)} e^{-i\pi \sum_{\ell=n+1}^M S_\ell^z} S_m^- e^{-i\phi_s(z_m)} e^{i\pi \sum_{\ell=m+1}^M S_\ell^z} \rangle \\ &= \langle d_n^\dagger d_m \rangle \langle e^{i\phi_s(z_n)} e^{-i\phi_s(z_m)} \rangle. \end{aligned} \quad (55)$$

We utilize the identity of Eq. (48) to express the correlator purely in Majorana form and consider only its leading order contribution

$$\langle S_n^+ S_m^- \rangle = \frac{1}{2} \frac{a_n a_m}{z_n - z_m} = \frac{1}{4i} \frac{\mathcal{P}_a}{z_n - z_m}, \quad (56)$$

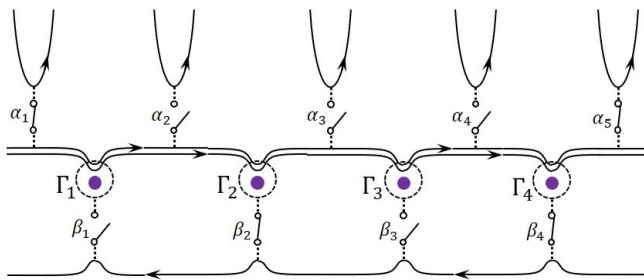


FIG. 2. Schematic for quantum computing platform depicting $2k$ channels chirally connecting Kondo anyons $\Gamma_1, \dots, \Gamma_4$. Two methods of probing the system are depicted: (1) at the top, fixed total angular momentum j_{tot} of Kondo anyons residing between weakly coupled contacts is measured through the strongly coupled chiral edge states using switches $\alpha_1, \dots, \alpha_5$. Here, switches α_1 and α_5 are turned on, allowing for a projective measurement of Kondo anyons $\Gamma_1 \cdots \Gamma_4$ in the basis of their total fusion state; (2) At the bottom, fixed total angular momentum sectors j_{nm} of pairs of impurity spins are measured using a weakly coupled chiral edge state controlled by switches β_1, \dots, β_4 . Here, switches β_2 and β_4 apply a projective measurement to Kondo anyons Γ_2 and Γ_4 , independent of the Kondo anyons residing between them.

where the vertex operator associated to the spin bosonic field gives the conventional CFT result. Clearly, both the longitudinal and transverse impurity-spin correlators result in a parity dependence, analogous to the singlet and triplet total angular momentum sectors in the large- k limit of impurity-spin correlations.

We now compare the $k = 2$ results of Eqs. (52)-(56) with the large- k limit of Eq. (18). On the one hand, $\mathcal{F}_{k \rightarrow \infty}(j_{nm})$ in Eq. (18) takes values $-1/4$ and $1/12$ for fusion channels $j_{nm} = 0$ and 1 , respectively. On the other hand, parity eigenvalues for $k = 2$ are $\mathcal{P}_a = \pm 1$. This could result from the additional $1/k$ dependence of $\mathcal{F}_k(j_{nm})$ emerging at higher-orders in perturbation theory in the large k -limit.

V. SUMMARY

In this paper we studied the correlation functions of the chiral multi-impurity Kondo model. Substantial evidence has been provided, both from the large- k limit and two-channel case, that, when computed in pure states within specific quantum sectors, impurity spin correlations display a dependence on the internal state nonlocally shared by the effectively fractionalized spins. An interpretation of this dependence has been given in terms of anyon fusion rules. Different than asymptotic correlators like the Green's function that depend only on the total fusion channel¹⁰, here the inter-impurity correlations depend on the fusion state of the given pair of correlated impurities.

In contrast to paradigmatic gapped topological phases as in the fractional quantum Hall effect, our proposed multi-impurity Kondo system is gapless. Nevertheless,

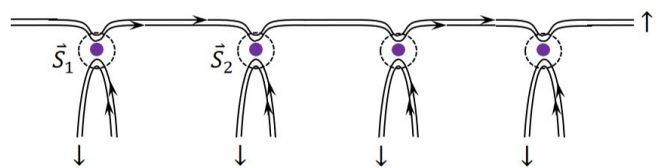


FIG. 3. A partially connected $k = 2$ chiral Kondo system with spin-up (\uparrow) channels fully connected and spin-down (\downarrow) channels disconnected.

the anyons do not couple to unfractonized degrees of freedom, demonstrating a source of protection. To illustrate this, consider for example Majorana fermions in quantum wires³⁴⁻³⁷ coupled to gapless modes of a nearby metal. This has been essential for observation of Majorana modes via tunneling,^{38,39} as well as in numerous suggestions to probe their properties including braiding⁴⁰⁻⁴³ and fractional entropy.^{44,45} At the same time, the hybridization of Majorana fermions to the surrounding metallic gapless environment leads to decoherence and quasiparticle poisoning.⁴⁶⁻⁴⁸ In contrast, the two-channel Kondo Majorana fermion is a strongly interacting degree of freedom, and as a result it does not hybridize directly with external Fermi liquid metallic systems. It would be an interesting direction of future inquiry to consider whether the robustness of the isolation of our degrees of freedom survives different types of noise.

Measurement-only schemes^{13,15,49} require orthogonal projective measurements to be applied onto a sequence of anyons in order to determine the probability of their fusion state. A sequence of such projective measurements generates exchange matrices that can be used for braiding. A schematic system allowing to probe different fusion channels is depicted in Fig. 2. Here, switches are used to prescribe a sequence of operations on a set of impurities. At the top, weakly coupled contacts are used to measure a sequence of impurities, while, at the bottom, a specific pair of impurities. For example, contacts α_1 and α_5 at the top allow to probe the total fusion of anyons 1, 2, 3, 4. At the bottom, contacts β_2 and β_4 allow to probe the fusion of anyons 2 and 4.

It should be emphasized that the nontrivial fusion outcome of correlation functions only appears in fully connected system, where all spin-channels propagate in a chiral manner from one impurity to the next, as in Fig. 1(b). Fusion of anyonic degrees of freedom does not affect correlation functions within partially connected systems, such as that of Fig. 3. This fact can be easily understood from Eq. (18), where the fusion-dependent factor is multiplied by the correlation of primary fields of different impurities $\langle \tilde{\Phi}^{(n)}(z_n) \tilde{\Phi}^{(m)}(z_m) \rangle$, which vanishes for dissimilar impurities $n \neq m$ that are partially connected. This requirement for a fully-connected multichannel chiral Kondo model serves as a restriction that should be considered in future experimental setups that could display our predictions.

We also note that while here we considered the usual

k -channel Kondo model with SU(2) symmetry, leading to SU(2) $_k$ anyons, it is interesting to explore anyons in other non-Fermi liquid systems with emergent symmetries^{50–54}.

Finally, we return to the specific requirement of computing correlation functions of the microscopic states on pure states of the anyon space. Thermally, the correlations of the anyons are summed over all fixed total angular momentum sectors and should vanish. This is simple to see when adding both parity contributions in the two-channel case, e.g. in Eq. (56), or due to the paramagnetic behavior of the free spins in the $k \rightarrow \infty$ limit; at the end, this vanishing thermal correlation should be exact due to the chiral nature of the electronic bath under the spins that do not provide a back-channel for communication of exchange interactions. Therefore, determining a sufficient method for quantum control, i.e. prepare the

anyons in a specific fusion state, is the main endeavor for realizing the proposed Kondo quantum computing architecture.

VI. ACKNOWLEDGEMENTS

We acknowledge support by European Research Council (ERC) under the European Unions Horizon 2020 research and innovation programme under grant agreement No. 951541, the US-Israel Binational Science Foundation (Grant No. 2016255), ARO (W911NF-20-1-0013), and the Israel Science Foundation grant number 154/19. We thank Heung-Sun Sim for useful discussions.

Appendix A: Correlation functions

In this Appendix, we seek to provide a clear technical explanation on the distinction between thermal correlation functions and the ones we focus on this work. We concentrate on the perturbative large- k case, as a concrete way to state our point.

We start from the general definition of a thermal correlation function, which can be obtained in imaginary time from

$$\langle \dots \rangle = \mathcal{Z}^{-1} \text{Tr} \left[T_\tau (\dots) e^{-\beta(H_0 + H_K)} \right], \quad (\text{A1})$$

$$\mathcal{Z} = \text{Tr} \left[e^{-\beta(H_0 + H_K)} \right], \quad (\text{A2})$$

where T_τ is the time-ordering operator. In the zero-temperature limit, this is nothing but the average of the operators depicted by the ellipsis in the ground state. The trace can be computed in a product space between all spin and fermionic degrees of freedom. Applying a path-integral formalism to the fermions, but not the spins, we obtain

$$\langle \dots \rangle = \frac{\text{Tr}_{\bar{S}} \int \mathcal{D}[\psi^\dagger, \psi] (\dots) e^{-S[\psi^\dagger, \psi, \{\bar{S}_\ell\}]} }{\text{Tr}_{\bar{S}} \int \mathcal{D}[\psi^\dagger, \psi] e^{-S[\psi^\dagger, \psi, \{\bar{S}_\ell\}]}}, \quad (\text{A3})$$

where

$$S = S_0 + S_K = \int_{-\infty}^{\infty} d\tau \left[\int dx \psi^\dagger \partial_\tau \psi + H_0 + H_K \right], \quad (\text{A4})$$

and we took the zero-temperature limit and the remaining trace is only in the impurity degrees of freedom. Perturbation theory follows normally here, resulting in

$$\langle \dots \rangle = \sum_{n=0}^{\infty} \frac{(-1)^n}{n!} \langle (\dots) S_K^n \rangle_0, \quad (\text{A5})$$

where

$$\langle \dots \rangle_0 = \frac{\text{Tr}_{\bar{S}} \int \mathcal{D}[\psi^\dagger, \psi] (\dots) e^{-S_0[\psi^\dagger, \psi]} }{\text{Tr}_{\bar{S}} [1] \int \mathcal{D}[\psi^\dagger, \psi] e^{-S_0[\psi^\dagger, \psi]}}. \quad (\text{A6})$$

For M impurities, the denominator reads $\text{Tr}_{\bar{S}} [1] = (2 \times 1/2 + 1)^M = 2^M$.

Now, by expanding the order- n term in a multinomial for all the impurities, the arbitrary thermal correlation

function reduces to

$$\langle \dots \rangle = \sum_{n=0}^{\infty} \frac{(-\lambda)^n}{n!} \sum_{|k|=n} \binom{n}{k} \int \left(\prod_{i=0}^n d\tau_i \right) \mathcal{C}_{\psi}^k [\dots] \cdot \mathcal{C}_{\bar{S}}^k [\dots], \quad (\text{A7})$$

where $k = (k_1, \dots, k_M)$ and

$$\binom{n}{k} = \frac{n!}{k_1! \dots k_M!}, \quad |k| \equiv k_1 + \dots + k_M, \quad (\text{A8})$$

$$(J^a S^a)^k \equiv (J^{a_1} (x_1, \tau_1) S_1^{a_1} (\tau_1))^{k_1} \dots (J^{a_M} (x_M, \tau_M) S_M^{a_M} (\tau_M))^{k_M} \quad (\text{A9})$$

$$\equiv (J_1^{a_1} S_1^{a_1})^{k_1} \dots (J_M^{a_M} S_M^{a_M})^{k_M}, \quad (\text{A10})$$

and $\vec{J} = \frac{1}{2} \psi^\dagger \boldsymbol{\sigma} \psi$ is the spin current density. Note that a notation is implied here where, whenever the power $k_i = k_1, \dots, k_M$ is greater than 1, we also have to introduce different time variables. At perturbation theory of order n , n distinct time variables must exist. Finally,

$$\mathcal{C}_{\psi}^k [\dots] = \left\langle (\dots)_{\psi} (J^a)^k \right\rangle_0, \quad (\text{A11})$$

$$\mathcal{C}_{\bar{S}}^k [\dots] = \left\langle (\dots)_{\bar{S}} (S^a)^k \right\rangle_0, \quad (\text{A12})$$

are tensors computed independently for the fermion or spin degrees of freedom.

For spin-spin correlations,

$$\langle S_{\ell}^a (\tau) S_{\ell'}^b (\tau') \rangle = \sum_{n=0}^{\infty} \frac{(-\lambda)^n}{n!} \sum_{|k|=n} \binom{n}{k} \int \left(\prod_{i=0}^n d\tau_i \right) \mathcal{C}_{\psi}^k [1] \cdot \mathcal{C}_{\bar{S}}^k [S_{\ell}^a (\tau) S_{\ell'}^b (\tau')]. \quad (\text{A13})$$

For example, the zeroth-order spin piece can be written, in general,

$$\mathcal{C}_{\bar{S}}^0 [S_{\ell}^a (\tau) S_{\ell'}^b (\tau')] = \frac{\delta^{ab}}{6} \sum_j \text{Tr} \left[\left(\vec{S}_{\ell} + \vec{S}_{\ell'} \right)^2 - \frac{3}{2} \mathbb{1}_{2j+1} \right] \begin{cases} 2^{-1} & \ell = \ell', \quad j = 1/2 \\ 2^{-2} & \ell \neq \ell', \quad j = 0, 1 \end{cases}. \quad (\text{A14})$$

Note that, summing over all j for $\ell \neq \ell'$, $\mathcal{C}_{\bar{S}}^0 = 0$. For a general second order term, we have the spin contribution

$$\mathcal{C}_{\bar{S}}^2 [S_{\ell}^a (\tau) S_{\ell'}^b (\tau')] = 2^{-M} \text{Tr} [T_{\tau} [S_{\ell}^a (\tau) S_{\ell'}^b (\tau') S_{\mu}^c (\tau'') S_{\nu}^d (\tau''')]]. \quad (\text{A15})$$

Although the result of this calculation is basis-independent, if we want to consider the $\ell \neq \ell'$ results, we may pick a basis where we single-out the two external spins ℓ and ℓ' , and consider their sectors of total angular momentum. In this case, we are interested in

$$\mathcal{C}_{\bar{S}}^2 [S_{\ell}^a (\tau) S_{\ell'}^b (\tau')] = \frac{1}{2^M} \sum_{j, M_z, \{s_p, p \neq \ell, \ell'\}} \langle \{s_p\}, j, M_z | T_{\tau} [S_{\ell}^a (\tau) S_{\ell'}^b (\tau') S_{\mu}^c (\tau'') S_{\nu}^d (\tau''')] | \{s_p\}, j, M_z \rangle_0. \quad (\text{A16})$$

This allows us to get a clear picture. If we want to compare each specific sector at perturbation theory, order by order, we must write

$$\langle S_{\ell}^a (\tau) S_{\ell'}^b (\tau') \rangle = \sum_j \left[\sum_{n=0}^{\infty} \frac{(-\lambda)^n}{n!} \sum_{|k|=n} \binom{n}{k} \int \left(\prod_{i=0}^n d\tau_i \right) \mathcal{C}_{\psi}^k [1] \cdot \mathcal{K}_{\bar{S}, j}^k [S_{\ell}^a (\tau) S_{\ell'}^b (\tau')] \right] \quad (\text{A17})$$

$$\equiv \sum_j \langle S_{\ell}^a (\tau) S_{\ell'}^b (\tau') \rangle_j, \quad (\text{A18})$$

where

$$\mathcal{K}_{\bar{S}, j}^k [S_{\ell}^a (\tau) S_{\ell'}^b (\tau')] = \frac{1}{2^M} \sum_{M_z, \{s_p, p \neq \ell, \ell'\}} \left\langle \{s_p\}, j, M_z \left| T_{\tau} \left[S_{\ell}^a (\tau) S_{\ell'}^b (\tau') \left((S_1^{a_1})^{k_1} \dots (S_M^{a_M})^{k_M} \right) \right] \right| \{s_p\}, j, M_z \right\rangle_0. \quad (\text{A19})$$

We remark that this decomposition is unique to the computation of a 2-spin correlation function, where j is the total angular momentum of exactly those two spins under study. It provides a link between the thermal correlations and the correlations computed in a given sector j that we consider throughout this work. One can go further: if full quantum control is achieved over the impurity degrees of freedom, the tensor $\mathcal{K}_{S,j}^k$ simplifies to a single piece and must be substituted by

$$\tilde{\mathcal{K}}_{S,j}^k [S_\ell^a(\tau) S_{\ell'}^b(\tau')] = \frac{1}{2j+1} \sum_{M_z} \left\langle \{s_p\}, j, M_z \left| T_\tau \left[S_\ell^a(\tau) S_{\ell'}^b(\tau') \left((S_1^{a_1})^{k_1} \dots (S_M^{a_M})^{k_M} \right) \right] \right| \{s_p\}, j, M_z \right\rangle_0. \quad (\text{A20})$$

A similar picture holds for the true anyonic case at finite- k , by exchanging the traces in the product space of fermions and free spins (which is reasonable in the perturbative case), for a calculation in the interacting ground state where the electronic degrees of freedom decouple from the impurity.

Appendix B: $\langle \psi_{i\alpha} \psi_{q\beta}^\dagger \rangle$ - Single Impurity

Given this Appendix is a review of previous results¹, we refrain from deriving expressions that are already in the text and instead refer to them. The Green's function for a single impurity, with spatial coordinates $\text{Im}(w) < 0$ and $\text{Im}(z) > 0$, can be calculated to second-order perturbation theory in the large- k limit

$$\begin{aligned} \langle \psi_{i\alpha}(z) \psi_{q\beta}^\dagger(w) \rangle &= \langle \psi_{i\alpha}(z) \psi_{q\beta}^\dagger(w) \rangle_0 + \frac{\lambda}{2} \int d\tau' \langle \psi_{i\alpha}(z) \psi_{q\beta}^\dagger(w) \psi_{m\gamma}^\dagger(\tau') \psi_{m\delta}(\tau') \rangle \sigma_{\gamma\delta}^a \langle S^a(\tau') \rangle \\ &+ \frac{\lambda^2}{8} \int d\tau' d\tau'' \langle \psi_{i\alpha}(z) \psi_{q\beta}^\dagger(w) \psi_{m\gamma}^\dagger(\tau') \psi_{m\delta}(\tau') \psi_{n\mu}^\dagger(\tau'') \psi_{n\nu}(\tau'') \rangle \sigma_{\gamma\delta}^a \sigma_{\mu\nu}^b \langle S^a(\tau') S^b(\tau'') \rangle. \end{aligned} \quad (\text{B1})$$

The zeroth-order contribution is given by the free field Green's function of Eq. (10). The first-order contribution is null due to the rotational invariance of the impurity spin $\langle S^a \rangle = 0$. After substituting the 2-spin correlator of Eq. (20), using

$$\sum_a \sigma_{\gamma\delta}^a \sigma_{\mu\nu}^a = 2\delta_{\gamma\nu} \delta_{\delta\mu} - \delta_{\gamma\delta} \delta_{\mu\nu} \quad (\text{B2})$$

and applying Wick's theorem, followed by reordering the time coordinates, we arrive at the second-order contribution

$$\langle \psi_{i\alpha}(z) \psi_{q\beta}^\dagger(w) \rangle_{(2)} = \frac{3\lambda^2}{16} \int_{-\infty}^{\infty} d\tau' d\tau'' \frac{\delta_{iq} \delta_{\alpha\beta}}{(\tau' - \tau'')(\tau' - z)(w - \tau'')}. \quad (\text{B3})$$

After some shift of the time coordinates

$$\langle \psi_{i\alpha}(z) \psi_{q\beta}^\dagger(w) \rangle_{(2)} = -\frac{3\lambda^2}{16} \int_{-\infty}^{\infty} dT d\tau \frac{\delta_{iq} \delta_{\alpha\beta}}{T(\tau + \frac{1}{2}\Delta\tau - T + ix_z)(\tau - \frac{1}{2}\Delta\tau + ix_w)}, \quad (\text{B4})$$

where $\Delta\tau = \tau_z - \tau_w$, the integral τ can be performed to give

$$\int_{-\infty}^{\infty} d\tau \frac{\delta_{iq} \delta_{\alpha\beta}}{(\tau + \frac{1}{2}\Delta\tau - T + ix_z)(\tau - \frac{1}{2}\Delta\tau + ix_w)} = -\frac{2\pi i}{z - w - T}. \quad (\text{B5})$$

Putting this expression back into Eq. (B4) and integrating over T , the second-order contribution gives

$$\begin{aligned} \langle \psi_{i\alpha}(z) \psi_{q\beta}^\dagger(w) \rangle_{(2)} &= -\frac{3\pi i}{8} \lambda^2 \int_{-\infty}^{\infty} dT \frac{\delta_{iq} \delta_{\alpha\beta}}{T(z - w - T)} \\ &= \frac{3\pi i}{16} \lambda^2 \int_{-\infty}^{\infty} dT \frac{\delta_{iq} \delta_{\alpha\beta}}{(T + (z - w)/2)(T - (z - w)/2)} = -\frac{\delta_{iq} \delta_{\alpha\beta}}{z - w} \frac{3\pi^2 \lambda^2}{8}. \end{aligned} \quad (\text{B6})$$

Setting λ to $k/2$ and inserting the zeroth- and second-order results into Eq. (B1), we arrive at a correct correspondence to the fusion ansatz of Eq. (6)

$$\langle \psi_{i\alpha}(z) \psi_{q\beta}^\dagger(w) \rangle = \frac{\delta_{iq} \delta_{\alpha\beta}}{z - w} \left[1 - \frac{3\pi^2}{2k^2} + \dots \right] \approx \frac{\delta_{iq} \delta_{\alpha\beta}}{z - w} \frac{S_{1/2}^{1/2}/S_0^0}{S_0^{1/2}/S_0^0}. \quad (\text{B7})$$

Appendix C: $\langle \psi_{i\alpha} \psi_{q\beta}^\dagger \rangle_{(2)}$ - Multiple Impurities

We demonstrate that the second-order contribution to the asymptotic correlator correctly results in Eq. (17). In accounting for the identity Eq. (B2), and the 2-spin correlator of Eq. (16), the second-order contribution of Eq. (12) can be written as

$$\begin{aligned} \langle \psi_{i\alpha}(z) \psi_{q\beta}^\dagger(w) \rangle_{(2)} &= \lambda^2 j_{tot}(j_{tot} + 1) \frac{1}{4a^2} \int_{-a/2}^{a/2} dx' dx'' \int_{-\infty}^{\infty} d\tau' \int_{-\infty}^{\infty} d\tau'' \frac{\delta_{iq} \delta_{\alpha\beta}}{(z - \tau') [\tau' - \tau'' - i(x' - x'')] (\tau'' - w)} \\ &= -\lambda^2 j_{tot}(j_{tot} + 1) \frac{2\pi i}{4a^2} \int_{-a/2}^{a/2} dx' dx'' \theta(x'' - x') \int_{-\infty}^{\infty} d\tau' \frac{\delta_{iq} \delta_{\alpha\beta}}{(\tau' - w)(\tau' - z)} \\ &= \frac{\lambda^2}{4} \frac{\delta_{iq} \delta_{\alpha\beta}}{z - w} j_{tot}(j_{tot} + 1) \frac{(2\pi i)^2}{a^2} \int_{-a/2}^{a/2} dx' \int_{x'}^{a/2} dx'' = (2\pi i)^2 \frac{\lambda^2}{8} \frac{\delta_{iq} \delta_{\alpha\beta}}{z - w} j_{tot}(j_{tot} + 1). \end{aligned} \quad (C1)$$

In setting λ to $2/k$ in the large- k limit, we have

$$\langle \psi_{i\alpha}(z) \psi_{q\beta}^\dagger(w) \rangle_{(2)} = -2 \frac{\pi^2}{k^2} \frac{\delta_{iq} \delta_{\alpha\beta}}{z - w} j_{tot}(j_{tot} + 1). \quad (C2)$$

This concludes our integral evaluation.

Appendix D: $\langle S^a S^b \rangle_{(2)}$ - Single Impurity

We demonstrate that the second-order contribution to the impurity-spin correlator correctly results in Eq. (25). To simplify the integration process, we recognize that a factor of $3/16$ can be subtracted from all six orderings in Eq. (24). The subtracted integral, which is constant over all time, clearly vanishes by the residue theorem when substituted into Eq. (21)

$$-\frac{3}{16} \int_{-\infty}^{\infty} d\tau' \int_{-\infty}^{\infty} d\tau'' \frac{1}{(\tau' - \tau'' - i\epsilon)^2} = 0, \quad (D1)$$

leaving only two regimes of equal contribution with integral expressions of Eq. (24), each containing a factor of $-1/16 - 3/16 = -1/4$. In further accounting for $\tau' < \tau''$ and exchanging its time coordinates $\tau' \leftrightarrow \tau''$, the integral expression for all contributing regions, i.e. (2) and (5) in Fig. 5(a) and their mirror images, can be expressed as

$$I = I_- + I_+ = -\frac{1}{2} \int_{\tau_m}^{\tau_n} d\tau' \int_{\tau_n}^{\infty} d\tau'' \frac{1}{(\tau' - \tau'' - i\epsilon)^2} - \frac{1}{2} \int_{\tau_m}^{\tau_n} d\tau' \int_{\tau_n}^{\infty} d\tau'' \frac{1}{(\tau' - \tau'' + i\epsilon)^2} \quad (D2)$$

Each of the integrals on the right hand side can be evaluated independently

$$I_{\pm} = -\frac{1}{2} \left[\int_{-\infty}^{\tau_n} d\tau' \int_{\tau_n}^{\infty} d\tau'' \frac{1}{(\tau' - \tau'' \pm i\epsilon)^2} - \int_{-\infty}^{\tau_m} d\tau' \int_{\tau_n}^{\infty} d\tau'' \frac{1}{(\tau' - \tau'' \pm i\epsilon)^2} \right] \quad (D3)$$

$$= -\frac{1}{2} \left[\log(\tau_n - \tau_m) - \log(\epsilon) \mp \frac{i\pi}{2} \right]. \quad (D4)$$

The additive constant above cancels out and the divergence can be renormalized, resulting in $I \approx -\log(\tau_n - \tau_m)$. Inserting this result into Eq. (21) gives the second-order contribution expressed in Eq. (25).

Appendix E: $\langle S_n^a S_m^b \rangle_{(2)}$ - Multiple Impurities

We demonstrate that the second-order contribution to the impurity-spin correlator correctly results in Eq. (29). Figure 4 compactly summarizes the different possible configuration of the 4-spin correlator in Eq. (28).

By symmetry of the function we are integrating, it is quite trivial to recognize that the scenario $n \neq \ell \neq m$ does not differentiate between the different time or-

derings and is hence zero.

The next of these scenarios is one of the four off diagonal terms in the last row and last column, marked by an \times in Fig. 4, in which only a single pair of impurities is identical. Their individual contributions are not zero, but the sum of their contributions is indeed zero. To see this, we exemplify the different time orderings numbered (1)-(6) in Fig. 5(a) for the case $\{n \neq m; \ell = n; \ell' \neq m, n\}$,

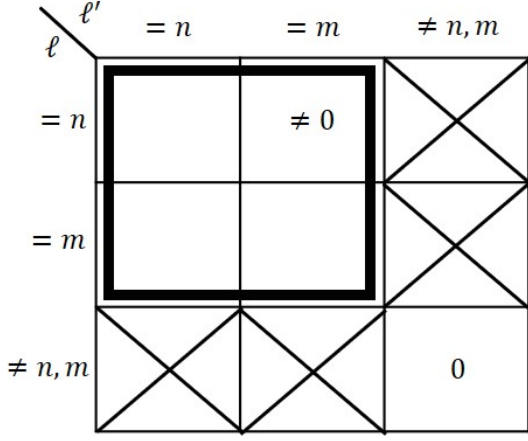


FIG. 4. All possible impurity-spin configurations of the 4-spin correlator Eq. (28). Configurations that are nonzero, but do not contribute, are marked with an ‘x’. Configurations that are null are marked with a ‘0’. The boxed set of configurations have a finite contribution.

$$\begin{aligned}
(1) &= \langle S_n^a S_m^a S_n^c S_{\ell'}^c \rangle = \frac{1}{4} \delta^{ac} \langle S_m^a S_{\ell'}^c \rangle - \frac{i}{2} \epsilon_{cab} \langle S_n^b S_m^a S_{\ell'}^c \rangle, \\
(2) &= \langle S_n^a S_n^c S_m^a S_{\ell'}^c \rangle = \frac{1}{4} \delta^{ac} \langle S_m^a S_{\ell'}^c \rangle - \frac{i}{2} \epsilon_{cab} \langle S_n^b S_m^a S_{\ell'}^c \rangle, \\
(3) &= \langle S_n^a S_n^c S_{\ell'}^c S_m^a \rangle = \frac{1}{4} \delta^{ac} \langle S_m^a S_{\ell'}^c \rangle - \frac{i}{2} \epsilon_{cab} \langle S_n^b S_m^a S_{\ell'}^c \rangle, \\
(4) &= \langle S_n^c S_n^a S_m^a S_{\ell'}^c \rangle = \frac{1}{4} \delta^{ac} \langle S_m^a S_{\ell'}^c \rangle + \frac{i}{2} \epsilon_{cab} \langle S_n^b S_m^a S_{\ell'}^c \rangle, \\
(5) &= \langle S_n^c S_n^a S_{\ell'}^c S_m^a \rangle = \frac{1}{4} \delta^{ac} \langle S_m^a S_{\ell'}^c \rangle + \frac{i}{2} \epsilon_{cab} \langle S_n^b S_m^a S_{\ell'}^c \rangle, \\
(6) &= \langle S_n^c S_{\ell'}^c S_n^a S_m^a \rangle = \frac{1}{4} \delta^{ac} \langle S_m^a S_{\ell'}^c \rangle + \frac{i}{2} \epsilon_{cab} \langle S_n^b S_m^a S_{\ell'}^c \rangle.
\end{aligned} \tag{E1}$$

The first term in each region gives a constant of τ', τ'' , which does not contribute to the integral in Eq. (28). Now consider the second term with the Levi-Civita symbol, in a specific region, say (1). Combining the 4 possibilities marked by \times in Fig. 4 in region (1), namely $n \neq m$ and (i): $\{\ell = n; \ell' \neq m, n\}$, (ii): $\{\ell = m; \ell' \neq m, n\}$, (iii): $\{\ell' = n; \ell \neq m, n\}$, (iv): $\{\ell' = m; \ell \neq m, n\}$, gives

$$\begin{aligned}
\langle S_n^a S_m^a S_n^c S_{\ell'}^c \rangle &= \frac{1}{4} \delta^{ac} \langle S_m^a S_{\ell'}^c \rangle - \frac{i}{2} \epsilon_{cab} \langle S_n^b S_m^a S_{\ell'}^c \rangle, \\
\langle S_n^a S_m^c S_n^a S_{\ell'}^c \rangle &= \frac{1}{4} \delta^{ac} \langle S_n^a S_{\ell'}^c \rangle - \frac{i}{2} \epsilon_{cab} \langle S_n^a S_m^b S_{\ell'}^c \rangle, \\
\langle S_n^a S_m^c S_{\ell'}^c S_n^a \rangle &= \frac{1}{4} \delta^{ac} \langle S_m^a S_{\ell'}^c \rangle - \frac{i}{2} \epsilon_{cab} \langle S_n^b S_m^a S_{\ell'}^c \rangle, \\
\langle S_n^a S_m^c S_{\ell'}^c S_m^a \rangle &= \frac{1}{4} \delta^{ac} \langle S_n^a S_{\ell'}^c \rangle - \frac{i}{2} \epsilon_{cab} \langle S_n^a S_m^b S_{\ell'}^c \rangle,
\end{aligned} \tag{E2}$$

Putting these configurations together, we see that all equally contribute, giving a relative factor of -4 , depicted schematically in Fig. 5(b). This procedure can be repeated for regions (2)-(6) to arrive at the remaining factors indicated in Fig. 5(b). We can then conclude, by symmetry of the integral under consideration, that the 4-spin correlator for a single pair of identical impurities must be null.

This leaves the set of 4-spin correlators containing three and a double pair of identical impurities, as depicted in the boxed region of Fig. 4. In following the previously outlined procedure, the double pair of identical impurities results in a finite contribution, as depicted in Fig. 6(a). One needs to be careful in considering all possible configurations and their respective regions within the 4-spin correlator. For example, configuration $\{\ell = n; \ell' = m\}$ in region (1) simplifies as

$$\sum_c \langle S_n^a S_m^a S_n^c S_m^c \rangle = \frac{1}{16} - \frac{1}{4} \sum_{c \neq a} \langle S_n^c S_m^c \rangle. \tag{E3}$$

All other regions generate the same result up to a sign of the second term. As in Eq. (E1), the first constant term cancels out. Utilizing Eq. (14), and up to the factors specified in Fig. 6(a) associated to the total polarity of the two contributing configurations, the relevant second-order contribution within each of these regions reduces from Eq. (28) to

$$\begin{aligned}
\langle S_n^a(\tau_n) S_m^b(\tau_m) \rangle_{(2)} &= -\frac{k}{8} \lambda^2 \left(\frac{1}{6} j_{nm} (j_{nm} + 1) - \frac{1}{4} \right) \\
&\times \int_{R_1} d\tau' d\tau'' \frac{\delta^{ab}}{(\tau' - \tau'' - i\Delta x)^2},
\end{aligned} \tag{E4}$$

where R_1 refers to region (1) in Fig. 5(a).

Similarly, for the cases $\ell = \ell' = n \neq m$ and $\ell = \ell' = m \neq n$ depicted in Fig. 6(b), the 4-spin correlator is also finite. For $\ell = \ell' = n \neq m$ in region (1), the 4-spin correlator reduces to

$$\sum_c \langle S_n^a S_m^a S_n^c S_n^c \rangle = \frac{1}{4} \langle S_n^a S_m^a \rangle + \frac{1}{4} \sum_{c \neq a} \langle S_n^c S_m^c \rangle. \tag{E5}$$

As before, only the second term contributes. Unlike the nonzero Δx present in the previous configuration (i.e. see Eq. (E4)), this integral contains an ultraviolet cutoff ϵ ,

$$\begin{aligned}
\langle S_n^a(\tau_n) S_m^b(\tau_m) \rangle_{(2)} &= \frac{k}{8} \lambda^2 \left(\frac{1}{6} j_{nm} (j_{nm} + 1) - \frac{1}{4} \right) \\
&\times \int_{R_1} d\tau' d\tau'' \frac{\delta^{ab}}{(\tau' - \tau'' - i\epsilon)^2}.
\end{aligned} \tag{E6}$$

We can see the cancellation between Eq. (E4) and (E6) in Fig. 6. Similarly, we find the same cancellation in all regions but region (4).

After adding the regions specified in figure 6(a) and 6(b) together, the nonzero domain $\tau_m < \tau', \tau'' < \tau_n$ depicted

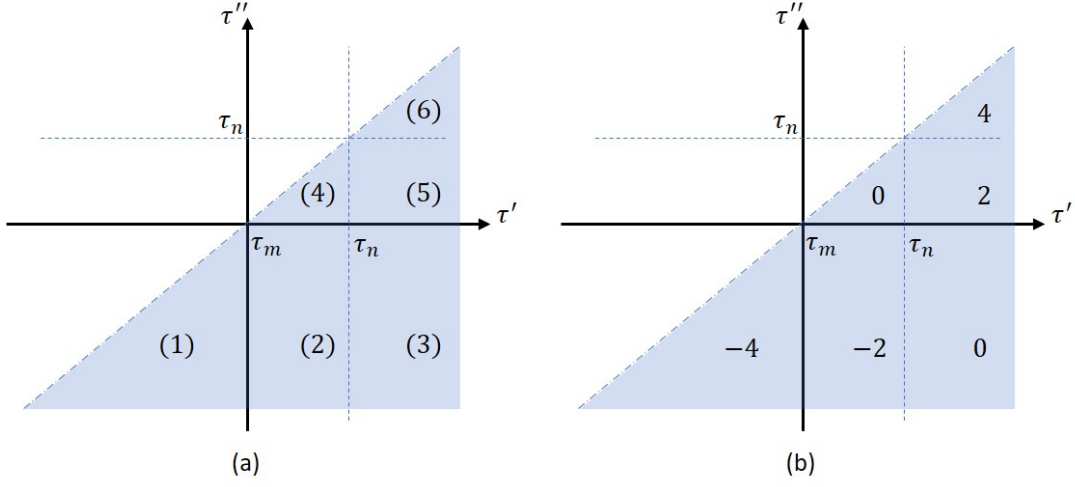


FIG. 5. Time plot (a) indicates the different regions expressed in Eq. (E1). Time plot (b) specifies the factor accumulated in each regime for one pair of identical impurity-spins. By symmetry of the integral in Eq. (28), the configurations marked by \times in Fig. 4 do not contribute.

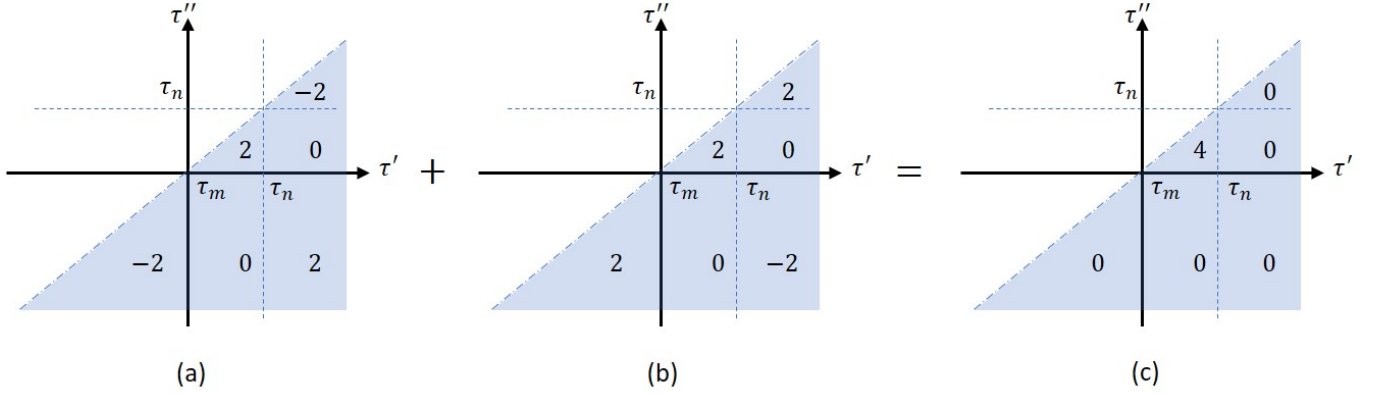


FIG. 6. Time plots indicate the factors accumulated in each regime for configurations of (a) two pairs of identical impurity-spins and (b) three identical impurity-spins. These configurations are marked by a bold square in Fig. 4, with its cross diagonal and diagonal configurations corresponding to (a) and (b), respectively. Time plot (c) is the accumulative sum of factors within configurations (a) and (b).

in figure 6(c) can be integrated to obtain a logarithmic trend which is independent of Δx so long as $\tau_n, \tau_m \gg \Delta x$

$$I = \int_{\tau_m}^{\tau_n} d\tau' \int_{\tau_m}^{\tau'} d\tau'' \frac{1}{(\tau' - \tau'' - i\Delta x)^2} + \int_{\tau_m}^{\tau_n} d\tau'' \int_{\tau_m}^{\tau''} d\tau' \frac{1}{(\tau' - \tau'' - i\Delta x)^2}. \quad (\text{E7})$$

In switching the time coordinates $\tau' \leftrightarrow \tau''$ in the second integral, we have

$$I = I_- + I_+ = \int_{\tau_m}^{\tau_n} d\tau' \int_{\tau_m}^{\tau'} d\tau'' \frac{1}{(\tau' - \tau'' - i\Delta x)^2} + \int_{\tau_m}^{\tau_n} d\tau' \int_{\tau_m}^{\tau'} d\tau'' \frac{1}{(\tau' - \tau'' + i\Delta x)^2}. \quad (\text{E8})$$

Evaluating each of these integrals gives

$$I_{\pm} = \int_{\tau_m}^{\tau_n} d\tau' \int_{\tau_m}^{\tau'} d\tau'' \frac{1}{(\tau' - \tau'' \pm i\Delta x)^2} \quad (\text{E9})$$

$$= \int_{\tau_m}^{\tau_n} d\tau' \left[\mp \frac{i}{\Delta x} - \frac{1}{\tau' - \tau_m \pm i\Delta x} \right] \quad (\text{E10})$$

$$= -\log(\Delta\tau \pm i\Delta x) + \log(\pm i\Delta x) \mp \frac{i\Delta\tau}{\Delta x}. \quad (\text{E11})$$

Here, $\Delta\tau = \tau_n - \tau_m$. Plugging this back into Eq. (E8), with $\Delta\tau \gg \Delta x$, we obtain

$$I = -2 \left[\log(\tau_n - \tau_m) - \log(\Delta x) \right], \quad (\text{E12})$$

where the logarithmic divergence for small $\Delta x \rightarrow 0$ can be renormalized, as in the one-impurity case. Furthermore, whether we consider Δx or ϵ , the above results do not change. We are left with a logarithmic dependence in time for the second-order perturbation of a multi-impurity correlator.

Taking the result of Eq. (E12), accounting for the accumulated factor of $\times 4$ from the different configurations (i.e. see Fig. 6(c)), and letting λ trend as $2/k$, the zeroth- and second-order contributions in Eq. (29) are correctly obtained.

-
- ¹ I. Affleck and A. W. Ludwig, Phys. Rev. B **48**, 7297 (1993).
² R. Potok, I. Rau, H. Shtrikman, Y. Oreg, and D. Goldhaber-Gordon, Nature **446**, 167 (2007).
³ N. Andrei, Phys. Rev. Lett. **45**, 379 (1980).
⁴ P. Vignani, JETP Lett **31** (1980).
⁵ I. Affleck and A. W. Ludwig, Phys. Rev. Lett. **67**, 161 (1991).
⁶ C. Han, A. K. Mitchell, Z. Iftikhar, Y. Kleorin, A. Anthore, F. Pierre, Y. Meir, and E. Sela, arXiv:2108.12878v1.
⁷ A. W. Ludwig and I. Affleck, Nucl. Phys. B **428**, 545 (1994).
⁸ V. Emery and S. Kivelson, Phys. Rev. B **46**, 10812 (1992).
⁹ H. Mebrahtu, I. Borzenets, H. Zheng, Y. V. Bomze, A. Smirnov, S. Florens, H. Baranger, and G. Finkelstein, Nat. Phys. **9**, 732 (2013).
¹⁰ P. L. Lopes, I. Affleck, and E. Sela, Phys. Rev. B **101**, 085141 (2020).
¹¹ Y. Komijani, Phys. Rev. B **101**, 235131 (2020).
¹² C. Nayak, S. H. Simon, A. Stern, M. Freedman, and S. D. Sarma, Rev. Mod. Phys. **80**, 1083 (2008).
¹³ P. Bonderson, M. Freedman, and C. Nayak, Phys. Rev. Lett. **101**, 010501 (2008).
¹⁴ A. Kitaev, Ann. Phys. **321**, 2 (2006).
¹⁵ P. H. Bonderson, *Non-Abelian anyons and interferometry* (California Institute of Technology, 2012).
¹⁶ We take the chance to remark here that Chern insulating systems would, in fact, display less difficulties, with geometrically overlapping channels and no need for magnetic fields to define chiral channels.
¹⁷ M. Lotem *et al.*, *in preparation*.
¹⁸ P. Di Francesco, P. Mathieu, and D. Senechal, *Conformal Field Theory* (Springer, 1997).
¹⁹ I. Affleck, A. W. Ludwig, H.-B. Pang, and D. Cox, Phys. Rev. B **45**, 7918 (1992).
²⁰ M. Pustilnik, L. Borda, L. Glazman, and J. Von Delft, Phys. Rev. B **69**, 115316 (2004).
²¹ E. Sela, A. K. Mitchell, and L. Fritz, Phys. Rev. Lett. **106**, 147202 (2011).
²² A. K. Mitchell and E. Sela, Phys. Rev. B **85**, 235127 (2012).
²³ A. Keller, L. Peeters, C. Moca, I. Weymann, D. Mahalu, V. Umansky, G. Zaránd, and D. Goldhaber-Gordon, Nature **526**, 237 (2015).
²⁴ J. L. Cardy, Nucl. Phys. B **240**, 514 (1984).
²⁵ J. L. Cardy, Nucl. Phys. B **324**, 581 (1989).
²⁶ J. L. Cardy and D. C. Lewellen, Phys. Lett. B **259**, 274 (1991).
²⁷ J. Cardy, in *Encyclopedia of Mathematical Physics*, edited by J.-P. Francoise, G. L. Naber, and T. S. Tsun (Academic Press, Oxford, 2006) pp. 333 – 340.
²⁸ P. Nozieres and A. Blandin, J. Phys. **41**, 193 (1980).
²⁹ J. Von Delft and H. Schoeller, Ann. Phys. **7**, 225 (1998).
³⁰ J. von Delft, G. Zaránd, and M. Fabrizio, Phys. Rev. Lett. **81**, 196 (1998).
³¹ E. Sela and I. Affleck, Phys. Rev. Lett. **102**, 047201 (2009).
³² E. Sela and I. Affleck, Phys. Rev. B **79**, 125110 (2009).
³³ L. A. Landau, E. Cornfeld, and E. Sela, Phys. Rev. Lett. **120**, 186801 (2018).
³⁴ A. Y. Kitaev, Phys.-Uspekhi **44**, 131 (2001).
³⁵ J. Alicea, Rep. Prog. Phys. **75**, 076501 (2012).
³⁶ M. Leijnse and K. Flensberg, Semicond. Sci. Technol. **27**, 124003 (2012).
³⁷ C. Beenakker, Annu. Rev. Condens. Matter Phys. **4**, 113 (2013).
³⁸ V. Mourik, K. Zuo, S. M. Frolov, S. Plissard, E. P. Bakkers, and L. P. Kouwenhoven, Science **336**, 1003 (2012).
³⁹ A. Das, Y. Ronen, Y. Most, Y. Oreg, M. Heiblum, and H. Shtrikman, Nat. Phys. **8**, 887 (2012).
⁴⁰ S. Plugge, L. Landau, E. Sela, A. Altland, K. Flensberg, and R. Egger, Phys. Rev. B **94**, 174514 (2016).
⁴¹ S. Vijay and L. Fu, Phys. Rev. B **94**, 235446 (2016).
⁴² D. Dahan, M. T. Ahari, G. Ortiz, B. Seradjeh, and E. Grosfeld, Phys. Rev. B **95**, 201114 (2017).
⁴³ D. Dahan, E. Grosfeld, and B. Seradjeh, Phys. Rev. B **102**, 125142 (2020).
⁴⁴ S. Smirnov, Physical Review B **92**, 195312 (2015).
⁴⁵ E. Sela, Y. Oreg, S. Plugge, N. Hartman, S. Lüscher, and J. Folk, Phys. Rev. Lett. **123**, 147702 (2019).
⁴⁶ D. Rainis and D. Loss, Phys. Rev. B **85**, 174533 (2012).
⁴⁷ S. Albrecht, E. Hansen, A. P. Higginbotham, F. Kuemmeth, T. Jespersen, J. Nygård, P. Krogstrup, J. Danon, K. Flensberg, and C. Marcus, Phys. Rev. Lett. **118**, 137701 (2017).
⁴⁸ T. Karzig, W. S. Cole, and D. I. Pikulin, Phys. Rev. Lett. **126**, 057702 (2021).
⁴⁹ P. Bonderson, M. Freedman, and C. Nayak, Ann. Phys. **324**, 787 (2009).
⁵⁰ K. Ingersent, A. W. Ludwig, and I. Affleck, Phys. Rev. Lett. **95**, 257204 (2005).
⁵¹ R. Lopez, T. Rejec, J. Martinek, *et al.*, Phys. Rev. B **87**,

035135 (2013).

- ⁵² A. Keller, S. Amasha, I. Weymann, C. Moca, I. Rau, J. Katiné, H. Shtrikman, G. Zaránd, and D. Goldhaber-Gordon, *Nat. Phys.* **10**, 145 (2014).
- ⁵³ A. K. Mitchell, A. Liberman, E. Sela, and I. Affleck, *Phys. Rev. Lett.* **126**, 147702 (2021).
- ⁵⁴ A. Liberman, A. K. Mitchell, I. Affleck, and E. Sela, *Phys. Rev. B* **103**, 195131 (2021).