

Gluon radiation from a classical point particle: Recoil effects

Isobel Kolbé^{1,*} and Mawande Lushozi^{1,†}

¹*Institute for Nuclear Theory, University of Washington, Box 351550, Seattle, WA, 98195, USA*

We propose a formula for gluon radiation in the fragmentation region. By comparing tree-level bremsstrahlung of a spin-less quark to the known result for gluon radiation from a classical particle struck by a sheet of colored glass [1, 2], we modify the classical formula to take into account the recoil of the struck particle. The new formula produces the correct perturbative behaviour at high momentum of the radiated gluon.

I. INTRODUCTION

The fragmentation region is the part of phase-space in which the fragments from a collision have rapidity similar to that of the initial projectile or target [3–5]. In a heavy-ion collider experiment, the fragmentation region corresponds to the very far forward (or backward) region and may offer access to higher density regions of the quantum chromo-dynamical (QCD) phase diagram[6, 7].

In order to advance our understanding of initial energy deposited in the fragmentation region, particularly in high-energy heavy-ion collisions, we require a realistic estimation of the momentum spectrum of the gluon radiation in this region. The calculation of the gluon spectrum in the fragmentation region is hampered by the multi-scale nature of the problem, since one must develop an understanding of both the non-perturbative physics of a highly boosted nucleus, as well as the perturbative production of particles. The distribution of gluon radiation in the fragmentation region has been computed in the fully classical limit (hereinafter “the classical result”) in two papers by Kajante *et al.* [1, 2]. Those authors highlight that their result is only valid in the kinematic region where the recoil of the struck quark may be neglected. That is, the fully classical result derived by Kajante *et al.* is only valid in the low-frequency region. It is also possible to compute what one might consider a possible analogue to the classical result in perturbative QCD (pQCD) (hereinafter “the pQCD result”) in order to account for the recoil of the struck quark [8]. It turns out that the high-frequency limit of the pQCD result is, in fact, different from that of the classical result. Since the pQCD result is valid in the high-frequency limit and the classical result is not, we are forced to accept that the classical result cannot be correct in the high-frequency limit. On the other hand, the pQCD calculation is not able to describe the non-perturbative physics of multiple gluon exchanges between the struck quark and the sheet (the boosted nucleus), and so is an incomplete description of the underlying physics.

One would like an ansatz for the spectrum of gluon bremsstrahlung that is able to both describe the non-perturbative physics of interactions encompassed in the framework of the Color Glass Condensate (CGC), and produce the correct perturbative behaviour in the high momentum (of the radiated gluon) limit. In fact, the perturbative calculation was performed in the hope that a comparison with the classical result would allow one to write down such an ansatz. Unfortunately, the inclusion of the physics of spin in the pQCD result, in addition to the fact that the pQCD result is presented at the level of the amplitude squared, means that the pQCD result is not easily comparable to the classical formula.

We solve this problem by making two simplifications to the pQCD calculation of [8], both of which bring the quark closer in nature to the classical point particle studied by Kajantie *et al.* [1, 2, 9]: First, we remove the quark’s spin from the problem. Secondly, we treat the quark’s color charge as classical (*i.e.*, commuting). We are thus led to study, perturbatively, gluon bremsstrahlung in *scalar QCD in the limit of classical color charge* (we will make this statement more precise in section II B and appendix A). The result (hereinafter “the scalar result”) takes a simple form at the amplitude level, and is therefore easy to compare with the classical result. We argue that one may simply adjust the form of the classical result to match that of the scalar result. What one is left with is then an ansatz for gluon bremsstrahlung in the fragmentation region (hereinafter “the ansatz”) that is able to fully take account of non-perturbative interactions, but also produces the correct high-frequency limit. That is, the low-frequency limit of our ansatz is precisely the

* ikolbe@uw.edu

† mlushozi@uw.edu

classical result, while the high-frequency limit falls off in the expected way as $\sim 1/k_T^4$. This paper formalizes the proffered solution and carefully explores the relevant limits. We also offer a physics interpretation of the connection between the classical result and the ansatz.

The goal of this paper is to generalise the gluon radiation spectrum calculated by Kajantie *et al.*, produced by a classical point particle struck by a sheet of colored glass [10–14], to include the effects of the particle’s recoil. This is part of a broader program to understand the fragmentation region of heavy-ion collisions using a CGC-classical framework [3–7, 15].

This paper is organised as follows: We start by reminding the reader of the classical result and its properties in section II A. We will then present the calculation of bremsstrahlung in the fragmentation region within the context of a scalar field with classical color charge in section II B. In section III we present an ansatz for gluon radiation in the fragmentation region by first reformulating the classical result in section III A and then using the scalar result to inform a modification to the classical result in section III B. In section III B we also spend some time discussing the ansatz before making concluding remarks in section IV.

II. BREMSSTRAHLUNG IN THE FRAGMENTATION REGION

A. Striking a classical color charge with a sheet of colored glass in the no-recoil approximation

The distribution of gluon radiation from a classical point particle struck by a sheet of colored glass (representing the nucleus A, associated with a strong background Yang-Mills field A^μ), schematically given by the following process:

$$A + q(p) \rightarrow X + q(p') + g(k) , \quad (\text{II.1})$$

has recently been derived in two papers by Kajantie *et al.* [1, 2], and is given by¹

$$\left. \frac{dN}{dyd^2k_T} \right|_{Cl.} = \frac{g^2 C_F}{16\pi^3} 4 \int \frac{d^2h}{(2\pi)^2} \tilde{S}(\mathbf{k} - \mathbf{h}) [\mathcal{M}_{Cl.,bulk}^i + \mathcal{M}_{Cl.,brems}^i]^2 \quad (\text{II.2})$$

where

$$\mathcal{M}_{Cl.,bulk}^i = \frac{h^i}{h_T^2 + 2(k^-)^2} - \frac{k^i}{k_T^2 + 2(k^-)^2} , \quad (\text{II.3})$$

$$\mathcal{M}_{Cl.,brems}^i = \frac{k^i}{k_T^2 + 2(k^-)^2} - \frac{k^i - \xi p'^i}{|\mathbf{k} - \xi \mathbf{p}'|^2 + \xi^2 m^2} . \quad (\text{II.4})$$

In eq. (II.2), $\tilde{S}(\mathbf{k} - \mathbf{h})$ is the fourier transform of the two-point correlator of two Wilson lines and carries the physics of the scattering of the quark and the projectile nucleus². The radiated momentum relative to the final momentum of the struck quark is described by the fraction $\xi = k^-/p'^-$. The momentum \mathbf{h} arises as a subtlety of convoluting two Fourier transforms and will not play an important role in the present work.

The calculation of pQCD bremsstrahlung in the fragmentation region has been performed [8] and shows that, as is the case in QED, the gluon multiplicity distribution should fall off as $1/k_T^4$ for large gluon transverse momentum k_T . The classical result quoted in eq. (II.2), calculated by Kajantie *et al.* [2], does not display this expected $1/k_T^4$ behavior at high k_T , but instead maintains a $1/k_T^2$ fall-off throughout. Of the two contributions to their result $\mathcal{M}_{Cl.,bulk}$ and $\mathcal{M}_{Cl.,brems}$, the culprit for the undesired behavior is the bremsstrahlung term $\mathcal{M}_{Cl.,brems}$. Kajantie *et al.* argue that this is because their formulation cannot take quark recoil into account. One might argue that there is no reason to believe that the complicated interaction considered by Kajantie *et al.* should preserve the $1/k_T^4$ behaviour; However, it must be true that, in the limit that the background field is weak, one must recover the known perturbative result. In order to incorporate the physics of the recoil, the correct problem to study is bremsstrahlung in “classical” scalar QCD³.

¹Other bremsstrahlung calculations (for eg. in both the classical and quantum treatments of electrodynamics [16, Ch. 6],[17, Ch. 1-3-2], as well as the result presented here in eq. (II.17), have an additional factor of $\frac{1}{2}$. There appears to be a typo in the final result given in eq. (53) of [2], which should have 4 on the right-hand-side instead of 2. This may be seen by substituting eqs. (A13) and (A19) into the unnumbered equation between eqs. (52) and (53) of [2].

²Kajantie *et al.* employ the approximation of the McLerran-Venugopalan (MV) model which will lead to a Gaussian expression for $S(\mathbf{x} - \mathbf{y})$.

³By classical scalar QCD we mean QCD with spinless quarks and classical (commuting) color charge, see section II B.

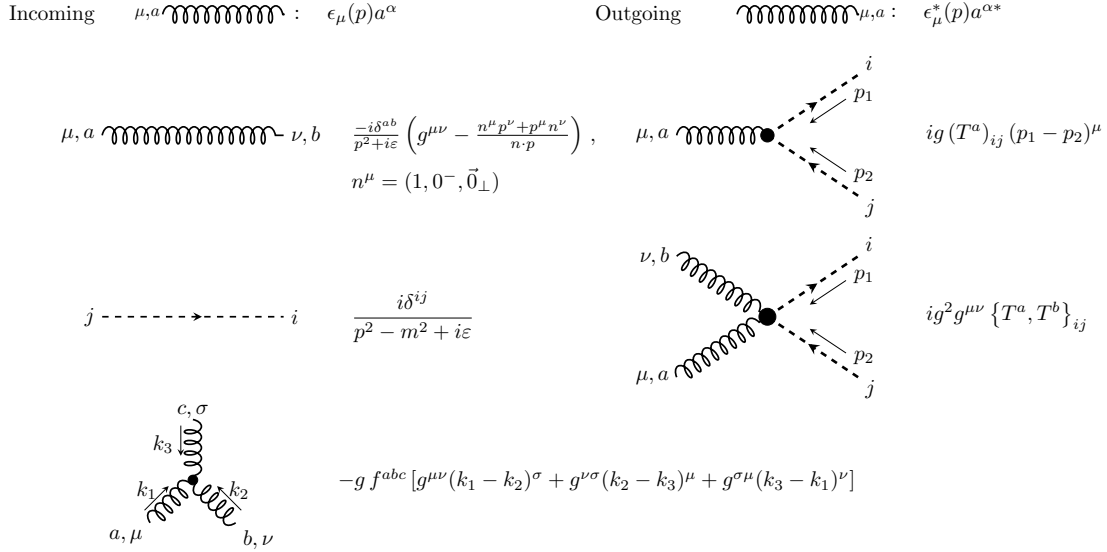


FIG. 1: The Feynman rules for a scalar field theory with classical charge.

The spectrum for gluon bremsstrahlung in classical scalar QCD will allow us to quantify the recoil that the fully classical result is unable to. We will then be in a position to suggest a formula for the spectrum of gluon radiation in the fragmentation region that holds more generally, and reduces to the classical result in the no-recoil approximation.

B. Fully perturbative bremsstrahlung by spin-less classical quarks

We consider a quantum field theory which contains a complex scalar field and a gauge field, both with classical color charge. We develop the notion of a classical color charge formally in appendix A, but in practice the term ‘‘classical color charge’’ means that the generators of the representation $\{T^a\}_{ij}$ commute. Such a theory is then a classical and scalar version of QCD, and we will henceforth refer to it as the ‘‘scalar theory’’.

The relevant Feynman rules of scalar QCD are given in fig. 1, and the relevant diagrams for bremsstrahlung at tree level are shown in fig. 2. We will compute the diagrams in fig. 2 using the kinematics that are relevant in the fragmentation region [8]: We will compute the bremsstrahlung resulting from the collision between a ‘quark’ (scalar field) with very high momentum P colliding with a stationary ‘quark’ with four-momentum p . We will take the momentum of the lower line P to be the largest scale in the problem. Starting with the diagrams in fig. 2, some algebra will show that the correct kinematics are (in light-cone coordinates $x^\mu = [x^+, x^-, \mathbf{x}]$)

$$\begin{aligned}
 p^\mu &= \left[\frac{m}{\sqrt{2}}, \frac{m}{\sqrt{2}}, \mathbf{0} \right], & p'^\mu &= \left[\frac{\xi m_\perp^2}{2k^-}, \frac{1}{\xi} k^-, \mathbf{q} - \mathbf{k} \right], \\
 P^\mu &= [P, 0^-, \mathbf{0}], & P'^\mu &= [P - q^+, 0^-, -\mathbf{q}], \\
 k^\mu &= \left[\frac{\mathbf{k}^2}{2k^-}, \frac{m}{\sqrt{2}}, \frac{\xi}{1+\xi}, \mathbf{k} \right], & q^\mu &= \left[\frac{p_\perp'^2 + m^2}{2m} (1 + \xi) + \frac{\mathbf{k}^2}{2k^-} - \frac{m}{\sqrt{2}}, 0^-, \mathbf{q} \right].
 \end{aligned} \tag{II.5}$$

As usual, in light-cone gauge the polarization vectors must obey $\epsilon(k) \cdot k = 0$ and $n \cdot \epsilon(k) = 0$, so that we may choose them to have the following form in the standard \hat{e}_1, \hat{e}_2 basis:

$$\epsilon_i^\mu(k) = \left(\frac{k^i}{k^-}, 0^-, \hat{e}_i \right). \tag{II.6}$$

The three-gluon diagram (diagram (d) in fig. 2) is suppressed because it is proportional to a commutator of the generators. Therefore, the scalar result, at the level of the amplitude, is given by

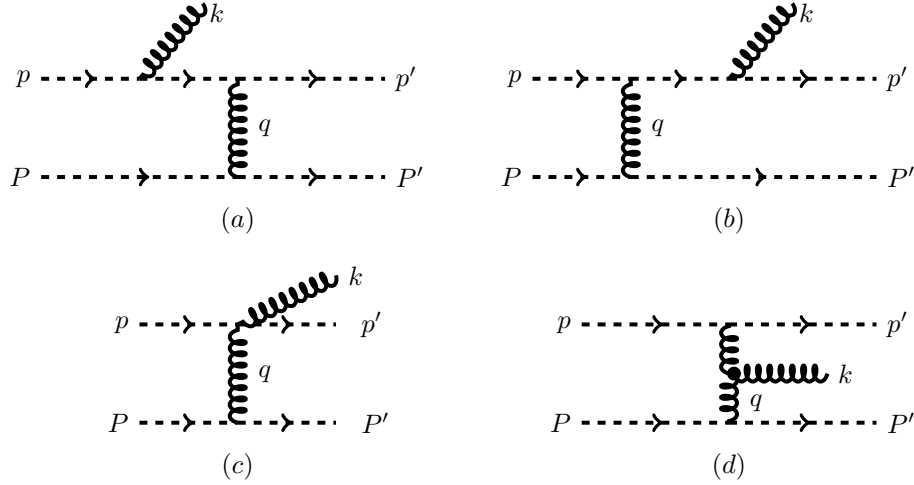


FIG. 2: Tree-level diagrams that contribute to bremsstrahlung in a scalar field theory.

$$\mathcal{M}_{\text{Sc.}} = \epsilon_{\mu(\lambda)}^*(k) \mathcal{M}_{\text{Sc.}}^\mu, \quad (\text{II.7})$$

$$\mathcal{M}_{\text{Sc.}}^\mu = -\frac{g^3}{q_\perp^2} P(T^b)_{mn} \{T^b, T^a\}_{ij} \left[\frac{(2p-k)^\mu}{2p \cdot k} (p' + p - k)^- - \frac{(2p'+k)^\mu}{2p' \cdot k} (p + p' + k)^- + 2g^{\mu-} \right]. \quad (\text{II.8})$$

This amplitude is the main ingredient in getting to a multiplicity distribution that takes into account the recoil of the quark.

It is interesting to compare the expression in the square brackets in the above eq. (II.8) to the well-known⁴ current associated with classical bremsstrahlung of a charged particle kicked from initial momentum p to p'

$$J^\mu(k) \sim \frac{p^\mu}{p \cdot k} - \frac{p'^\mu}{p' \cdot k}. \quad (\text{II.9})$$

In both eq. (II.8) and eq. (II.9), the first and second terms correspond to the diagrams in which the bremsstrahlung gluon is radiated before and after the collision respectively. In the first two terms of the fully perturbative, scalar result of eq. (II.8), the numerators have two components: (1) the average of the momentum of the upper quark before and directly after radiating the gluon, and (2) the sum of the “-”-momentum of the upper quark before and directly after the collision. The classical result in eq. (II.9) has the exact same two contributions to the numerators of each term, but is derived in the kinematics that the incoming and outgoing upper quark have the same momentum. That is, the classical result assumes (i) no recoil, and (ii) low frequency emission, or small k . Assumptions (i) and (ii) imply that (1) is given simply by the incoming or outgoing upper quark momentum respectively, and (2) is factored out in eq. (II.9). Analogously to [18], assumption (ii) of the classical result then also explains why the third term of the scalar result does not have a counterpart in the classical result: In the limit that k is small, the first two terms of eq. (II.8) have small denominators, making them large relative to the third term.

We will now use eq. (II.8) to calculate the gluon multiplicity distribution. To do so we also need to calculate the Born diagram representing the case of $2 \rightarrow 2$ scattering with no radiation. The Born amplitude is given by

$$\mathcal{M}_{\text{Sc., Born}} = \frac{g^2}{q_\perp^2} 2\sqrt{2}mP(T^a)_{ij}(T^a)_{mn}. \quad (\text{II.10})$$

⁴See for instance [18], and, in the present context, eq.(86) of [1].

Summing over final states and averaging over the initial, we get the following results for the amplitude-squared

$$|\mathcal{M}_{\text{Sc.}, \text{Born}}|^2 = \frac{g^4}{q_\perp^4} 8m^2 P^2 \frac{C(R)^2 (N_c^2 - 1)}{d_R^2}, \quad (\text{II.11})$$

$$|\mathcal{M}_{\text{Sc.}}|^2 = \frac{g^6}{q_\perp^4} P^2 \sum_\lambda \frac{4C(R)^2 C_R (N_c^2 - 1)}{d_R^2} \left| \frac{4\epsilon_\lambda \cdot p}{2p \cdot k} p'^- - \frac{4\epsilon_\lambda \cdot p'}{2p' \cdot k} (p'^- + k^-) \right|^2. \quad (\text{II.12})$$

Here R denotes a representation with dimension d_R , chosen to be large enough that the generators essentially commute. We denote the normalization of the inner product by $C(R)$, that is, $\text{Tr}(T^a T^b) = C(R) \delta^{ab}$; C_R denotes the quadratic Casimir defined by $T^a T^a = C_R \mathbb{1}$.

The gluon multiplicity distribution is given by

$$\begin{aligned} \left. \frac{dN}{dy d^2 k_T} \right|_{\text{Sc.}} &= \frac{1}{2} \frac{1}{(2\pi)^3} (1 + \xi) \frac{|\mathcal{M}_{\text{Sc.}}|^2}{|\mathcal{M}_{\text{Sc.}, \text{Born}}|^2}, \\ &= \frac{1}{2} \frac{1}{(2\pi)^3} (1 + \xi) \frac{g^2 C_R}{2m^2} \sum_i \left| \frac{4\epsilon_i \cdot p}{2p \cdot k} p'^- - \frac{4\epsilon_i \cdot p'}{2p' \cdot k} (p'^- + k^-) \right|^2. \end{aligned} \quad (\text{II.13})$$

We can use the following identities

$$\epsilon_l \cdot p = \frac{1 + \xi}{\xi} k^l, \quad \epsilon_l \cdot p' = \frac{1}{\xi} (k^l - \xi p'^l), \quad (\text{II.14})$$

$$2p \cdot k = \frac{1 + \xi}{\xi} (k_T^2 + 2(k^-)^2), \quad 2p' \cdot k = \frac{1}{\xi} (|\mathbf{k} - \xi \mathbf{p}'|^2 + \xi^2 m^2), \quad (\text{II.15})$$

$$p'^- = \frac{1}{1 + \xi} p^- = \frac{1}{1 + \xi} \frac{m}{\sqrt{2}}, \quad (\text{II.16})$$

derived from eqs. (II.5) and (II.6), to rewrite eq. (II.13) as

$$\left. \frac{dN}{dy d^2 k_T} \right|_{\text{Sc.}} = \frac{g^2 C_R}{16\pi^3} 4 \frac{1}{1 + \xi} \left| \frac{k^i}{k_T^2 + 2(k^-)^2} - (1 + \xi) \frac{k^i - \xi p'^i}{|\mathbf{k} - \xi \mathbf{p}'|^2 + \xi^2 m^2} \right|^2. \quad (\text{II.17})$$

Equation (II.17) is the main result of this paper. It is the lowest order perturbative contribution to gluon bremsstrahlung and includes quark recoil. The ratio $\xi = k^-/p'^-$ that features above is a good measure of quark recoil, and we will show how one recovers the classical results of [1] in the no-recoil approximation $\xi \ll 1$ in section III B.

III. ANSATZ FOR GLUON RADIATION FROM A CLASSICAL PARTICLE STRUCK BY A SHEET OF COLORED GLASS

A. Reformulating the classical result

We wish to complete the goal of modifying the classical result eq. (II.2) to a formula that incorporates the effects of quark recoil. We will do so by insisting that the the expansion of eq. (II.2) to lowest order in the background field should match the functional form of the scalar (and perturbative) result in eq. (II.17).

The expression for the gluon distribution in eq. (II.2) contains the background field to all orders. All of the background field dependence is carried by $\tilde{S}(\mathbf{k} - \mathbf{h})$ which is the Fourier transform of the Wilson line correlator $S(\mathbf{x} - \mathbf{y}) = \frac{1}{N_c^2 - 1} \langle \text{Tr}(\mathcal{U}(\mathbf{x}) \mathcal{U}^\dagger(\mathbf{y})) \rangle_\rho$ [1]:

$$\tilde{S}(q_T) := \int d^2 r e^{-i\mathbf{q} \cdot \mathbf{r}} S(r_T), \quad (\text{III.1})$$

with the following normalization

$$\int \frac{d^2 q}{(2\pi)^2} \tilde{S}(q_T) = 1. \quad (\text{III.2})$$

It turns out that $S(r_T)$ can, in the McLerran-Venugopalan approximation, be written as an exponential

$$S(r_T) = \exp(-Q_s^2 D(|\mathbf{r}|)) \quad (\text{III.3})$$

where $D(|\mathbf{r}|)$ depends on the Green's functions of the two-dimensional Laplacian. Recall that problems involving classical fields correspond to tree level diagrams in perturbation theory. In order to make this connection, we will take the lowest order in the background field of eq. (II.2) and compare it to lowest order tree-level bremsstrahlung in scalar QCD.

Expanding eq. (III.3) to lowest order we get $\tilde{S}(q_T) \rightarrow (2\pi)^2 \delta^{(2)}(\mathbf{q})$. This corresponds to the lowest order in the background field expansion. The gluon multiplicity distribution at lowest order in the background field is therefore given by

$$\left. \frac{dN}{dy d^2 k_T} \right|_{\text{Cl.}} \rightarrow \frac{g^2 C_F}{4\pi^3} \left[\frac{k^i}{k_T^2 + 2(k^-)^2} - \frac{k^i - \xi p'^i}{|\mathbf{k} - \xi \mathbf{p}'|^2 + \xi^2 m^2} \right]^2. \quad (\text{III.4})$$

B. An ansatz motivated by the scalar result

Comparing eq. (III.4) to the perturbative result in eq. (II.17) leads us to propose the following ansatz for gluon bremsstrahlung in the fragmentation region.

$$\left. \frac{dN}{dy d^2 k_T} \right|_{\text{An.}} = \frac{g^2 C_F}{16\pi^3} \frac{1}{1+\xi} 4 \int \frac{d^2 h}{(2\pi)^2} \tilde{S}(\mathbf{k} - \mathbf{h}) \left[\frac{h^i}{h_T^2 + 2(k^-)^2} - (1+\xi) \frac{k^i - \xi p'^i}{|\mathbf{k} - \xi \mathbf{p}'|^2 + \xi^2 m^2} \right]^2 \quad (\text{III.5})$$

$$= \frac{g^2 C_F}{16\pi^3} 4 \int \frac{d^2 h}{(2\pi)^2} \tilde{S}(\mathbf{k} - \mathbf{h}) \left[\tilde{\mathcal{M}}_{\text{An., bulk}}^i + \tilde{\mathcal{M}}_{\text{An., brems}}^i \right]^2, \quad (\text{III.6})$$

where, in eq. (III.6), we have performed a split in the same spirit as is done by Kajantie *et al.* so that

$$\tilde{\mathcal{M}}_{\text{An., bulk}}^i = \frac{1}{\sqrt{1+\xi}} \left(\frac{h^i}{h_T^2 + 2(k^-)^2} - \frac{k^i}{k_T^2 + 2(k^-)^2} \right) \quad (\text{III.7})$$

$$\tilde{\mathcal{M}}_{\text{An., brems}}^i = \frac{1}{\sqrt{1+\xi}} \left(\frac{k^i}{k_T^2 + 2(k^-)^2} - (1+\xi) \frac{k^i - \xi p'^i}{|\mathbf{k} - \xi \mathbf{p}'|^2 + \xi^2 m^2} \right). \quad (\text{III.8})$$

From the perspective of the diagrams in fig. 2, the no-recoil approximation may be expressed as the case in which $p - k \rightarrow p'$, or that $q^\mu \rightarrow 0$, which is equivalent to $\xi \ll 1$. Notice then that, in the no-recoil limit in which $\xi \ll 1$, the ansatz in eq. (III.5) reduces to classical result in eq. (II.2).

To see that eq. (III.6) indeed cures the undesired k_T behavior of the classical result, we will separate the bremsstrahlung, bulk, and interference contributions to the gluon radiation distribution, respectively given by

$$\left. \frac{dN}{dy d^2 k_T} \right|_{\text{An., brems}} = \frac{g^2 C_F}{4\pi^3} \int \frac{d^2 h}{(2\pi)^2} \tilde{S}(\mathbf{k} - \mathbf{h}) \left| \tilde{\mathcal{M}}_{\text{An., brems}}^i \right|^2 \quad (\text{III.9})$$

$$\left. \frac{dN}{dy d^2 k_T} \right|_{\text{An., bulk}} = \frac{g^2 C_F}{4\pi^3} \int \frac{d^2 h}{(2\pi)^2} \tilde{S}(\mathbf{k} - \mathbf{h}) \left| \tilde{\mathcal{M}}_{\text{An., bulk}}^i \right|^2 \quad (\text{III.10})$$

$$\left. \frac{dN}{dy d^2 k_T} \right|_{\text{An., int}} = \frac{g^2 C_F}{2\pi^3} \int \frac{d^2 h}{(2\pi)^2} \tilde{S}(\mathbf{k} - \mathbf{h}) \left(\tilde{\mathcal{M}}_{\text{An., bulk}}^i \right) \left(\tilde{\mathcal{M}}_{\text{An., brems}}^i \right). \quad (\text{III.11})$$

It is helpful to express the above contributions in terms of the variables $\mathbf{q} = \mathbf{k} + \mathbf{p}'$ and $x = k^-/p^-$, giving

$$\tilde{\mathcal{M}}_{\text{An., bulk}}^i = \sqrt{1-x} \left(\frac{h^i}{h_T^2 + m^2 x^2} - \frac{k^i}{k_T^2 + m^2 x^2} \right) \quad (\text{III.12})$$

$$\tilde{\mathcal{M}}_{\text{An., brems}}^i = \sqrt{1-x} \left(\frac{k^i}{k_T^2 + m^2 x^2} - \frac{k^i - x q^i}{|\mathbf{k} - x \mathbf{q}|^2 + m^2 x^2} \right) \quad (\text{III.13})$$

$$= \sqrt{1-x} \left(\frac{k^i}{k_T^2 + m^2 x^2} - \frac{k^i}{|\mathbf{k} - x \mathbf{q}|^2 + m^2 x^2} + \frac{x q^i}{|\mathbf{k} - x \mathbf{q}|^2 + m^2 x^2} \right). \quad (\text{III.14})$$

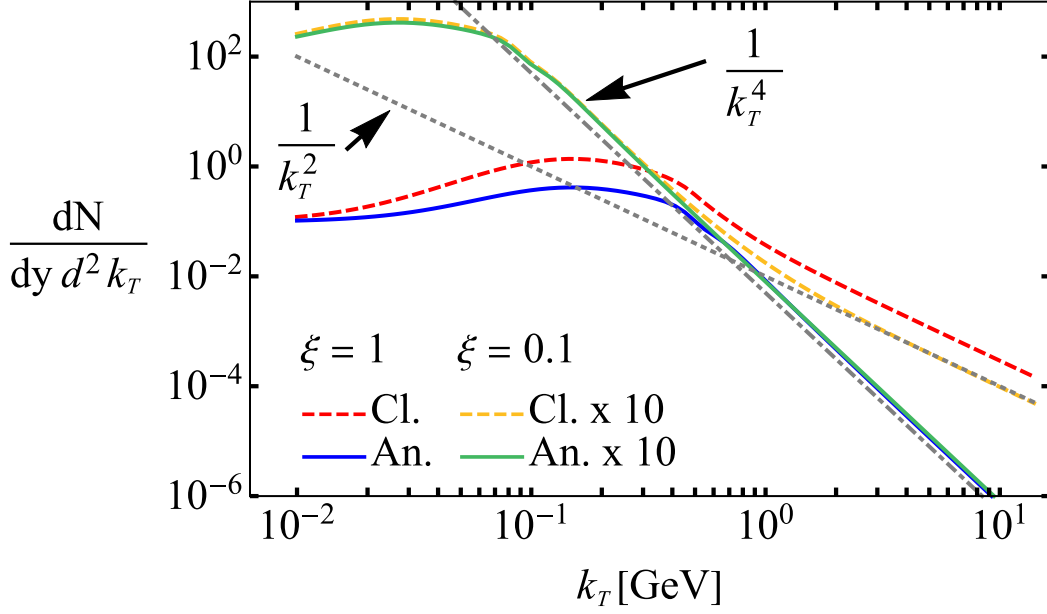


FIG. 3: The bremsstrahlung contribution (to lowest order in the background field) to the gluon spectrum in the classical result eq. (III.4) (dashed red and orange, “Cl.”), and in the proposed ansatz eq. (III.8) (solid blue and green, “An.”), as a function of the radiated gluon momentum k_T for $\xi = 1$ (red and blue) and $\xi = 0.1$ (orange and green). Also shown are $\sim \frac{1}{k_T^2}$ (gray dotted) and $\sim \frac{1}{k_T^4}$ (gray dot-dashed) curves to guide the eye.

For $k_T \gg x q_T$, one can see that the first two terms in eq. (III.14) will cancel and $\widetilde{M}_{\text{An., brems}}^i \sim 1/k_T^2$. Since $\widetilde{M}_{\text{An., brems}}^i$ in eq. (III.9) does not depend on the integration variable, and the integral of \tilde{S} gives unity, it follows that the bremsstrahlung contribution, eq. (III.9), falls off as $1/k_T^4$. To study the interference term, eq. (III.11), we shift the integration variable $h \rightarrow h + k$, giving

$$\begin{aligned} \left. \frac{dN}{dy d^2 k_T} \right|_{\text{An., int}} &= \frac{g^2 C_F}{2\pi^3} \int d^2 h \tilde{S}(\mathbf{k} - \mathbf{h}) \mathcal{M}_{\text{An., bulk}}^i \widetilde{\mathcal{M}}_{\text{An., brems}}^i \\ &= \frac{g^2 C_F}{2\pi^3} \widetilde{\mathcal{M}}_{\text{An., brems}}^i \int d^2 h \tilde{S}(-\mathbf{h}) \left(\frac{h^i + k^i}{|\mathbf{h} + \mathbf{k}|^2 + m^2 x^2} - \frac{k^i}{k_T^2 + m^2 x^2} \right) \end{aligned} \quad (\text{III.15})$$

$$= \frac{g^2 C_F}{2\pi^3} \widetilde{\mathcal{M}}_{\text{An., brems}}^i \int d^2 h \tilde{S}(-\mathbf{h}) \left(\frac{h^i}{|\mathbf{h} + \mathbf{k}|^2 + m^2 x^2} + \frac{k^i}{|\mathbf{h} + \mathbf{k}|^2 + m^2 x^2} - \frac{k^i}{k_T^2 + m^2 x^2} \right). \quad (\text{III.16})$$

Since the integral over h in eq. (III.16) has an upper cut-off set by $\sim Q_s$, one observes that, for $k_T \gg Q_s$, the last two terms in the parentheses cancel and the remaining part of the integrand goes as $1/k_T^2$. So for k_T large enough, both $\widetilde{\mathcal{M}}_{\text{An., brems}}^i$, outside the integral, and the integral itself fall off as $1/k_T^2$, therefore the interference term, eq. (III.11), falls off as $1/k_T^4$.

Using the same shift of integration variable, it is clear that the bulk contribution, eq. (III.10), also falls off as $1/k_T^4$ for $k_T \gg Q_s$. We therefore conclude that the ansatz gluon multiplicity distribution eq. (III.6), being the sum of all three contributions, has the expected $1/k_T^4$ fall-off at large k_T .

As an illustration of the large- k_T behavior, we present fig. 3, showing the bremsstrahlung contribution to the gluon spectrum, comparing the classical result with the ansatz. The curves in fig. 3 show the gluon multiplicity to lowest order in the background field (as described in section III A) so that the dashed red and orange curves are given by eq. (III.4) and the solid blue and green curves are given by a similar expression with the square parenthesis as in eq. (III.6). It is important to note that $\mathbf{p}' = \mathbf{q} - \mathbf{k}$, with $q_T = \sqrt{\mathbf{q} \cdot \mathbf{q}}$ set by the saturation scale $q_T = Q_s \sim 1$ GeV. We have further taken the mass of the struck quark to be $m = 0.3$ GeV and plotted for $\xi = 1$ and $\xi = 0.1$. We have also integrated the angular dependence. Figure 3 shows

the two major properties of our ansatz: (1) the ansatz (solid curves) exhibits the correct k_T^{-4} behaviour at high- k_T while the classical result (dashed curves) goes like k_T^{-2} for large k_T ; (2) for values of $\xi \ll 1$ the classical result and the ansatz agree in the low- k_T region where the classical result is to be trusted.

IV. CONCLUSION

In this work we have presented a formula for the gluon bremsstrahlung spectrum from a single target quark struck by a sheet of colored glass. The extension to the fragmentation region of a nucleus-nucleus collision can be carried out in a straight forward manner as shown in [6]. We now have the final puzzle piece for the initial conditions of the fragmentation region of heavy-ion collisions, using the classical framework laid out by Kajantie *et al.* [1, 2].

Our formula utilizes both the correct non-perturbative, low- k_T physics, inspired by the work of Kajantie *et al.* [1, 2], as well as the correct perturbative high- k_T behaviour, inspired by the result for gluon bremsstrahlung by a classical scalar field, presented here in section II B.

In order to arrive at an ansatz for the spectrum of gluon radiation in the fragmentation region, we have used the form of the perturbative scalar result, at the amplitude level, to inspire an appropriate modification of the associated classical result. This approach, with a little more work, could possibly allow for the inclusion of spin effects. It would be interesting to see how the radiation formula is modified in that case.

V. ACKNOWLEDGEMENTS

IK and ML were partially supported by the U.S. DOE under Grant No. DE-FG02-00ER41132, and partially under the Multifarious Minds grant provided by the Simons Foundation. The authors also wish to thank Keijo Kajantie, Larry McLerran, Risto Paatelainen, and Michal Praszalowicz for valuable discussions.

Appendix A: Classical Color Charge

We would like to formalize what we mean by ‘‘classical color charge’’. First note that the usual identities (see for instance [16]) may be generalized to an arbitrary representation R of $SU(3)$ with dimension d_R . For instance, there are two casimir operators C_R and $C(R)$:

1. ‘‘Normalization Casimir’’: $\text{tr}[T^a T^b] = C(R)\delta^{ab}$.

$$\begin{aligned} C(N) &= \frac{1}{2} & (\text{Fundamental rep.}) & \xrightarrow{SU(3)} C(N) = \frac{1}{2} \\ C(G) &= N & (\text{Adjoint rep.}) & \xrightarrow{SU(3)} C(G) = 3 \end{aligned} \quad (\text{A.1})$$

2. ‘‘Two-Casimir’’: $T^a T^a = C_2(R)\mathbb{1} \equiv C_R\mathbb{1}$

$$\begin{aligned} C_2(N) &= \frac{N^2 - 1}{2N} & (\text{Fundamental rep.}) & \xrightarrow{SU(3)} C_2(N) = C_F = \frac{4}{3} \\ C_2(G) &= N & (\text{Adjoint rep.}) & \xrightarrow{SU(3)} C_2(G) = C_A = 3 \end{aligned} \quad (\text{A.2})$$

We will use, from [16] (A.35) (where $d_G = d_F^2 - 1 = N_c^2 - 1$)

$$C(R) = \frac{d_R}{d_G} C_R, \quad (\text{A.3})$$

and from [16] (A.36)

$$T^a T^b T^a = \left[C_2(R) - \frac{1}{2} C_2(G) \right] T^b \xrightarrow{SU(3)} \left[C_R - \frac{1}{2} C_A \right] T^b \quad (\text{A.4})$$

$$f^{abc} T^b T^c = \frac{1}{2} i C_2(G) T^a \xrightarrow{SU(3)} \frac{1}{2} i C_A T^a \quad (\text{A.5})$$

We consider a charge described by the generator of a representation of $SU(3)$ that has dimension so large that the generators essentially commute:

$$T^a T^b = \frac{1}{2}\{T^a, T^b\} + \frac{1}{2}[T^a, T^b] \simeq \frac{1}{2}\{T^a, T^b\}. \quad (\text{A.6})$$

Formally, one may write

$$\|\{T^a, T^b\}\| \gg \|[T^a, T^b]\| \quad (\text{A.7})$$

$$\implies \text{Tr}(\{T^a, T^b\}\{T^b, T^a\}) \gg \text{Tr}([T^a, T^b][T^b, T^a]) \quad (\text{A.8})$$

$$2\text{Tr}(T^a T^b T^a T^b) + 2\text{Tr}(T^a T^a T^b T^b) \gg i^2 f^{abc} f^{bad} \text{Tr}(T^c T^d) \quad (\text{A.9})$$

If we sum over a and b then the traces above become

$$\begin{aligned} 2\text{Tr}(T^a T^a T^b T^b) &= 2C_R \text{Tr}(T^b T^b) \\ &= 2d_R C_R^2 \end{aligned} \quad (\text{A.10})$$

and

$$\begin{aligned} 2\text{Tr}(T^a T^b T^a T^b) &= 2\text{Tr}(T^a T^a T^b T^b) - C(R) f^{abc} f^{abc} \\ &= 2d_R C_R^2 - C(R) f^{abc} f^{abc}. \end{aligned} \quad (\text{A.11})$$

Putting these into eq. (A.9) we get

$$2d_R C_R^2 - C(R) f^{abc} f^{abc} + 2d_R C_R^2 \gg C(R) f^{abc} f^{abc} \quad (\text{A.12})$$

$$\implies 2d_R C_R^2 \gg C(R) f^{abc} f^{abc}. \quad (\text{A.13})$$

Also this means

$$\begin{aligned} \text{Tr}(\{T^a, T^b\}\{T^b, T^a\}) &= 4d_R C_R^2 - C(R) f^{abc} f^{abc} \\ &\simeq 4d_R C_R^2, \end{aligned} \quad (\text{A.14})$$

Where we drop $C(R) f^{abc} f^{abc}$ by eq. (A.13).

Appendix B: Universal Notation

1. Bremsstrahlung in perturbative QCD

Lushozi *et al.* [8] have computed the process $qq \rightarrow qgg$ to lowest order in perturbative QCD in the fragmentation region. For ease of reference, the diagrams used in the calculation by Lushozi *et al.* are reproduced in fig. 4. Lushozi *et al.* consider a quark with very high momentum P striking a stationary quark and inducing bremsstrahlung, in the kinematic limit of the momentum P being the largest scale in the problem⁵. In order to make the relevant comparison, we will have to rewrite the result in [8] by taking the classical limit as described in appendix A.

With a classical color charge, the squares of the remaining two diagrams ((A) and (B)) have the same

⁵As an aside, one may also show that diagrams with emissions from the bottom, very high-momentum quark are suppressed by a factor of P .

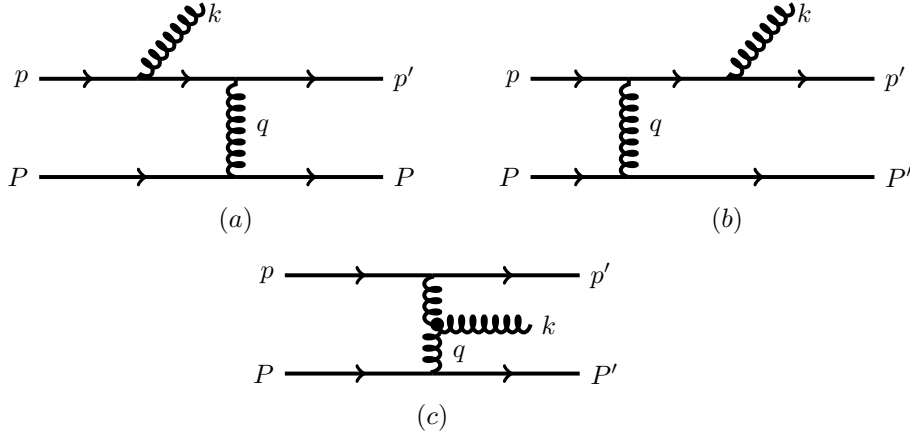


FIG. 4: Tree level diagrams to be computed in the QCD calculation.

color factor⁶:

$$|c(\mathcal{M}_A)|^2 = |c(\mathcal{M}_B)|^2 \quad (\text{B.1})$$

$$= [T^a T^b]_{j_1, i_1} T_{j_2, i_2}^b T_{i_2, j_2}^{b'} [T^{b'} T^a]_{i_1, j_1}$$

$$= \text{Tr} \left(T^a T^b T^{b'} T^a \right) \text{Tr} \left[T^{b'} T^a \right]$$

$$= \text{Tr} \left(T^a T^b T^{b'} T^a \right) C(R) \delta^{bb'} \quad (\text{Def. of } C(R)) \quad (\text{B.2})$$

$$= C_R^2 C(R) \text{Tr}(\mathbb{1}) \quad (\text{By eq. (A.10)}) \quad (\text{B.3})$$

$$= C_R^2 C(R) d_R. \quad (\text{B.4})$$

A similar calculation will lead to

$$c(\mathcal{M}_A) c^*(\mathcal{M}_B) = C_R^2 C(R) d_R \left(1 - \frac{1}{2} \frac{C_A}{C_R} \right) \quad (\text{B.5})$$

$$\simeq C_R^2 C(R) d_R \quad (C_R \gg C_A) \quad (\text{B.6})$$

We have used R to denote the representation we have chosen (in which the generators commute), so that d_R is the dimension of the representation, C_R is the usual Casimir (defined by $T^a T^a = C_R \mathbb{1}$, such that $C_F = \frac{4}{3}$, $C_A = 3$) and $C(R)$ is the normalization Casimir (defined by $\text{Tr}(T^a T^b) = C(R) \delta^{ab}$, such that $C(F) = \frac{1}{2}$ and $C(A) = 3$). In the limit of classical color charge then, the squares of the amplitudes of the two contributing diagrams in fig. 4, along with the corresponding ‘‘Born’’ diagram (the case of no radiation) are given by:

$$\left| \mathcal{M}_A^{QCD} \right|^2 = 4K \frac{C_R^2 C(R)}{d_R} \left[\frac{x^2}{D_A} + \frac{4x^2 M^2 (x-1)}{D_A^2} \right] \quad (\text{B.7})$$

$$\left| \mathcal{M}_B^{QCD} \right|^2 = 4K \frac{C_R^2 C(R)}{d_R} \left[\frac{x^2}{D_B} + \frac{4x^2 M^2 (x-1)}{D_B^2} \right] \quad (\text{B.8})$$

$$\left| \mathcal{M}_A^{QCD} \mathcal{M}_B^{QCD,*} \right| = 2K \frac{C_R^2 C(R)}{d_R} \left[-\frac{x^2}{D_B} + \frac{x^2(x^2 - 2c + 2)}{D_A D_B} \mathbf{q}^2 - \frac{x^2}{D_A} + \frac{8x^2 M^2 (1-x)}{D_A D_B} \right] \quad (\text{B.9})$$

$$\left| \mathcal{M}_{Born} \right|^2 = \frac{K}{g_s^2 (1-x)} \frac{C(R) C_R}{d_R} \quad (\text{B.10})$$

⁶The color factor is not immediately obvious from the form of the result in [8] since the prefactors in those results already include the averaging over initial states, which is to say that the amplitudes in equations (13), (14), and (16) of [8] have already been divided by a factor of $2d_R^2 = 2N_c^2$ for quarks.

Where $D_A = \mathbf{k}^2 + 2x^2M^2$, $D_B = (\mathbf{k} - x\mathbf{q})^2 + 2x^2M^2$, $K = 8g_s^2(1-x)M^2P^2/q_T^4$, $2M^2 = m^2$, and m is the quark mass. Therefore the square of the sum of the amplitudes is given by

$$\left| \mathcal{M}_A^{\text{QCD}} \right|^2 + \left| \mathcal{M}_B^{\text{QCD}} \right|^2 + 2 \left| \mathcal{M}_A^{\text{QCD}} \mathcal{M}_B^{\text{QCD},*} \right| \quad (\text{B.11})$$

$$= \frac{4K}{d_R} C_R^2 C(R) \left[4x^2(x-1)M^2 \left(\frac{1}{D_A} - \frac{1}{D_B} \right)^2 + \frac{x^2(x^2-2x+2)}{D_A D_B} q_T^2 \right], \quad (\text{B.12})$$

Following the methods of [8] closely again, we find that the gluon spectrum for bremsstrahlung in perturbative QCD, in the limit of classical color charge, is given by

$$\left. \frac{dN}{d^2\mathbf{k} dy} \right|_{QCD} = \frac{1}{2} \frac{1}{(2\pi)^3} g_s^2 C_R x^2 \left[4(x-1)M^2 \left(\frac{1}{D_A} - \frac{1}{D_B} \right)^2 + \frac{x^2-2x+2}{D_A D_B} q_T^2 \right]. \quad (\text{B.13})$$

Note that this is precisely the part of the full result given in eq. (21) of [8] that is proportional to C_F .

2. Fully classical result

One may also go through the rather tedious task of writing the classical result eq. (III.4) in terms of the variables of the perturbative result. Note that the directions are reversed between the perturbative and classical results (so that the minus direction in one is the plus direction in the other). Since $x \equiv \frac{k^+}{p^+}$ in the perturbative calculation, we make the association that

$$\xi = \frac{x}{1-x}. \quad (\text{B.14})$$

We may then, realizing that we must also make the replacement $k^- \leftrightarrow k^+$, further make associations such as

$$D_A = \mathbf{k}^2 + 2(k^+)^2, \quad (\text{B.15})$$

$$D_B = \left(\frac{1}{1+\xi} \right)^2 [(\mathbf{k} - \xi\mathbf{p})^2 + \xi^2 m^2]. \quad (\text{B.16})$$

and therefore that the square of the bremsstrahlung term in the classical result may be written as

$$\left| \mathcal{M}_{\text{brems.}}^i \right|_{Cl.}^2 = -2x^2 M^2 \left(\frac{1}{D_A} + \frac{1-x}{D_B} \right)^2 + \frac{x}{D_A} - \frac{x(1-x)}{D_B} + x^2(1-x) \frac{q_T^2}{D_A D_B}. \quad (\text{B.17})$$

-
- [1] K. Kajantie, L. D. McLerran, and R. Paatelainen, Gluon Radiation from a Classical Point Particle, *Phys. Rev. D* **100**, 054011 (2019), arXiv:1903.01381 [nucl-th].
 - [2] K. Kajantie, L. D. McLerran, and R. Paatelainen, Gluon Radiation from a classical point particle II: dense gluon fields, *Phys. Rev. D* **101**, 054012 (2020), arXiv:1911.12738 [hep-ph].
 - [3] R. Anishetty, P. Koehler, and L. D. McLerran, Central Collisions Between Heavy Nuclei at Extremely High-Energies: The Fragmentation Region, *Phys. Rev. D* **22**, 2793 (1980).
 - [4] K. Kajantie and L. D. McLerran, Initial Conditions for Hydrodynamical Calculations of Ultrarelativistic Nuclear Collisions, *Phys. Lett. B* **119**, 203 (1982).
 - [5] K. Kajantie and L. D. McLerran, Energy Densities, Initial Conditions and Hydrodynamic Equations for Ultrarelativistic Nucleus-nucleus Collisions, *Nucl. Phys. B* **214**, 261 (1983).
 - [6] I. Kolb , M. Lushozi, L. D. McLerran, and G. Yu, Distribution of Nuclear Matter and Radiation in the Fragmentation Region, *Phys. Rev. C* **103**, 044908 (2021), arXiv:2009.05680 [hep-ph].
 - [7] L. D. McLerran, S. Schlichting, and S. Sen, Spacetime picture of baryon stopping in the color-glass condensate, *Phys. Rev. D* **99**, 074009 (2019), arXiv:1811.04089 [hep-ph].

- [8] M. Lushozi, L. D. McLerran, M. Praszalowicz, and G. Yu, Gluon Bremsstrahlung in Relativistic Heavy Ion Collisions, *Phys. Rev. C* **102**, 034908 (2020), [arXiv:1912.08553 \[hep-ph\]](#).
- [9] S. K. Wong, Field and particle equations for the classical Yang-Mills field and particles with isotopic spin, *Nuovo Cim. A* **65**, 689 (1970).
- [10] L. D. McLerran and R. Venugopalan, Computing quark and gluon distribution functions for very large nuclei, *Phys. Rev. D* **49**, 2233 (1994), [arXiv:hep-ph/9309289](#).
- [11] L. D. McLerran and R. Venugopalan, Gluon distribution functions for very large nuclei at small transverse momentum, *Phys. Rev. D* **49**, 3352 (1994), [arXiv:hep-ph/9311205](#).
- [12] E. Iancu and R. Venugopalan, The Color glass condensate and high-energy scattering in QCD, in *Quark-gluon plasma 4*, edited by R. C. Hwa and X.-N. Wang (2003) pp. 249–3363, [arXiv:hep-ph/0303204](#).
- [13] H. Weigert, Evolution at small $x(bj)$: The Color glass condensate, *Prog. Part. Nucl. Phys.* **55**, 461 (2005), [arXiv:hep-ph/0501087](#).
- [14] F. Gelis, E. Iancu, J. Jalilian-Marian, and R. Venugopalan, The Color Glass Condensate, *Ann. Rev. Nucl. Part. Sci.* **60**, 463 (2010), [arXiv:1002.0333 \[hep-ph\]](#).
- [15] McLerran, Larry, The fragmentation region of high energy nucleus-nucleus and hadron-nucleus collisions, *EPJ Web of Conferences* **172**, 03003 (2018).
- [16] M. E. Peskin and D. V. Schroeder, *An Introduction to quantum field theory* (Addison-Wesley, Reading, USA, 1995).
- [17] C. Itzykson and J. B. Zuber, *Quantum Field Theory*, International Series In Pure and Applied Physics (McGraw-Hill, New York, 1980).
- [18] J. D. Jackson, *Classical Electrodynamics* (Wiley, 1998).