

# BRAIDED SYMMETRIES OF $SU_{q,\phi}(2)$ AND PODLEŚ SPHERES.

RAFAŁ BISTROŃ, ANDRZEJ SITARZ

ABSTRACT. We present an explicit form of braided symmetries of the quantum deformation of  $SU(2)$  for a complex parameter  $q$  and of the family of Podleś spheres, using braided Hopf algebra actions. We systematically develop braided versions of structures like pairing between Hopf algebras, left module algebra as well as their compatibility with the  $*$ -structure.

## 1. INTRODUCTION

Hopf algebras and quantum groups has been widely studied for a few recent decades [2, 7, 9] as fundamental objects that generalize groups and are natural symmetries of non-commutative algebras. Their further generalization as objects in a braided category [8] has recently been revisited in the context of quantum deformations of Lie groups with a complex-valued deformation parameter, in particular, for the  $SU_{q,\phi}(2)$  [6, 12] as well as for entire classes of algebras [1].

It is a natural question whether the braided Hopf algebras appear as symmetries of algebras in terms of both action and coaction. A typical motivating example is the case of Podleś quantum spheres [10], which are Hopf module algebras for one the most important and best known Hopf algebras  $\mathcal{U}_q(su(2))$ , the quantum deformation of the universal enveloping algebra of the  $su(2)$  Lie algebra. The algebra  $\mathcal{U}_q(su(2))$  and its representation theory has played a significant role in the construction of spectral triples over both  $SU_q(2)$  [3] and the families of Podleś spheres [4, 5] and therefore we expect that the knowledge of the braided version of these symmetries shall be crucial to proceed with the construction of spectral geometries for braided version of  $SU_q(2)$  and Podleś spheres. The answer for the symmetries in the form of coaction has been given in [12].

A first natural approach is to construct a braided version of the quantum  $\mathcal{U}_q(su(2))$  that would give  $SU_{q,\phi}(2)$  a structure of a braided Hopf algebra modules over it. These attempts have started over 20 years ago and few promising candidates have been proposed, see for example [11]. However, up to our knowledge, none of those possesses the important geometrical properties of  $\mathcal{U}_q(su(2))$ , especially the pairing with  $SU_{q,\phi}(2)$  [3] and the action on the algebra of quantum spheres.

In our work, we explicitly construct a braided Hopf algebra that has a pairing with  $SU_{q,\phi}(2)$  and well-defined action on the latter. To achieve it we enlarge the  $\mathcal{U}_q(su(2))$  algebra, by allowing that the generator  $k$  is not self-adjoint, which makes it similar to a braided version of the quantum deformation of a universal envelope of the  $u(2)$  Lie algebra.

We start this paper by discussing the left action in the domain of braided Hopf algebras and provide two important examples, the braided version of left adjoint action and action constructed from the braided pairing. The first serves mainly as a model of the braided action, while the latter is the result on which we base our further work.

As a motivating example we review the case of the  $SU_{q,\phi}(2)$  braided Hopf algebra, presenting the braiding procedure [1] which is used later. Then, we introduce the construction of the braided quantum Hopf algebra  $\mathcal{U}_{q,\phi}(\hat{u}(2))$  and provide the explicit braided pairing between  $SU_{q,\phi}(2)$  and  $\mathcal{U}_{q,\phi}(\hat{u}(2))$  as well as the braided left action of  $\mathcal{U}_{q,\phi}(\hat{u}(2))$  on  $SU_{q,\phi}(2)$ .

We study the irreducible representations of the algebra  $\mathcal{U}_{q,\phi}(\hat{u}(2))$  and check possible quadratic algebra structures over the irreducible representation of dimension 3. We arrive at two possible realisations, with only one of them admitting a star structure and bounded  $*$ -representations. The obtained family of algebras turns out to be, after appropriate basis change, the family of Podleś spheres [10] [12]. This gives an alternative derivation of Podleś spheres (compared to the one in [12]), arising from imposing a Hopf module structure over  $\mathcal{U}_{q,\phi}(\hat{u}(2))$  (in the braided sense).

As a last step we explore the  $*$ -structures for braided Hopf algebras and their modules and provide the conditions for compatibility between left action and  $*$ -structure for braided Hopf algebras obtained from twisting.

## 2. BRAIDED HOPF MODULE ALGEBRAS

In this section, we define the notion of a braided Hopf module algebra and show that a braided Hopf algebra acts on itself through an adjoint action. We start by reviewing a graphic notation that we shall use to make calculations and proofs clearer and more articulate. We assume that the reader is familiar with the notion of a braided Hopf algebra.

Let  $(H, \cdot, \Delta, S, \epsilon, \Psi)$  be a braided Hopf algebra and  $A$  an algebra. The multiplication and the unit (both for  $H$  as well as  $A$ ) will be presented as:

$$\cdot \rightarrow \begin{array}{c} H \quad H \\ \frown \\ H \end{array}, \quad \eta \rightarrow \begin{array}{c} \circlearrowleft \\ H \end{array},$$

The coproduct and counit:

$$\Delta \rightarrow \begin{array}{c} H \\ \lrcorner \\ H \quad H \end{array}, \quad \epsilon \rightarrow \begin{array}{c} H \\ \circlearrowleft \end{array},$$

The antipode and  $*$ - structure as

$$S \rightarrow \begin{array}{c} H \\ \circlearrowleft \\ H \end{array}, \quad * \rightarrow \begin{array}{c} H \\ \circlearrowright \\ H \end{array}.$$

Finally, the braiding on  $H \otimes H$  and the braiding between  $H$  and  $A$  shall be graphically denoted as,

$$\Psi \rightarrow \begin{array}{c} H \quad H \\ \diagdown \quad \diagup \\ \Psi \\ \diagup \quad \diagdown \\ H \quad H \end{array}, \quad \Xi \rightarrow \begin{array}{c} H \quad A \\ \diagdown \quad \diagup \\ \Xi \\ \diagup \quad \diagdown \\ A \quad H \end{array}.$$

Now we make the concept of the left braided action precise.

**Definition 2.1.** Let  $H$  be a braided Hopf algebra,  $A$  an algebra and  $\triangleright$  a bilinear map,  $H \otimes A \rightarrow A$ , called left action, which we denote graphically as,

$$\triangleright \rightarrow \begin{array}{c} H \quad A \\ \diagdown \quad \diagup \\ \triangleright \\ \diagup \quad \diagdown \\ A \end{array}.$$

We say that  $H$  acts from the left on  $A$  (or  $A$  is a left braided  $H$ -module algebra) if there exists a braiding between  $H$  and  $A$ ,  $\Xi : H \otimes A \rightarrow A \otimes H$ , which is compatible with the products in  $A$  and  $H$ ,

$$(2.1) \quad \begin{array}{c} H \quad H \quad A \\ \diagdown \quad \diagup \\ \Xi \\ \diagup \quad \diagdown \\ A \quad H \end{array} = \begin{array}{c} H \quad H \quad A \\ \diagdown \quad \diagup \\ \Xi \\ \diagup \quad \diagdown \\ A \quad H \end{array}, \quad \begin{array}{c} H \quad A \quad A \\ \diagdown \quad \diagup \\ \Xi \\ \diagup \quad \diagdown \\ A \quad H \end{array} = \begin{array}{c} H \quad A \quad A \\ \diagdown \quad \diagup \\ \Xi \\ \diagup \quad \diagdown \\ A \quad H \end{array},$$

as well as with the coproduct in  $H$ ,

$$(2.2) \quad \begin{array}{c} H \quad A \\ \diagdown \quad \diagup \\ \Xi \\ \diagup \quad \diagdown \\ A \quad H \quad H \end{array} = \begin{array}{c} H \quad A \\ \diagdown \quad \diagup \\ \Xi \\ \diagup \quad \diagdown \\ A \quad H \quad H \end{array}.$$

Then, the left action  $\triangleright$  is compatible with the products in  $H$  and  $A$ ,

$$(2.3) \quad \begin{array}{c} H \quad A \quad A \\ \diagdown \quad \diagup \\ \Xi \\ \diagup \quad \diagdown \\ A \end{array} = \begin{array}{c} H \quad A \quad A \\ \diagdown \quad \diagup \\ \Xi \\ \diagup \quad \diagdown \\ A \end{array}, \quad \begin{array}{c} H \quad H \quad A \\ \diagdown \quad \diagup \\ \Xi \\ \diagup \quad \diagdown \\ A \end{array} = \begin{array}{c} H \quad H \quad A \\ \diagdown \quad \diagup \\ \Xi \\ \diagup \quad \diagdown \\ A \end{array},$$

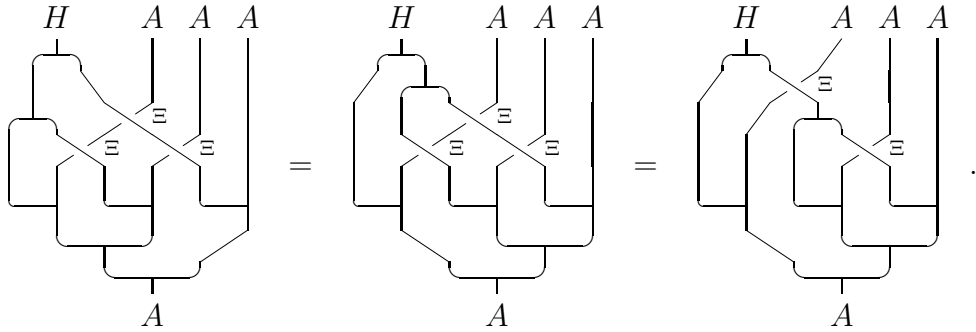
and it is compatible with the braiding  $\Xi$ ,

$$(2.4) \quad \begin{array}{c} H \quad H \quad A \\ \diagdown \quad \diagup \\ \Xi \\ \diagup \quad \diagdown \\ A \quad H \end{array} = \begin{array}{c} H \quad H \quad A \\ \diagdown \quad \diagup \\ \Psi \\ \diagup \quad \diagdown \\ A \quad H \end{array}, \quad \begin{array}{c} H \quad A \\ \diagdown \quad \diagup \\ \Xi \\ \diagup \quad \diagdown \\ A \quad H \quad H \end{array} = \begin{array}{c} H \quad A \\ \diagdown \quad \diagup \\ \Xi \\ \diagup \quad \diagdown \\ A \quad H \quad H \end{array}.$$

In case  $H$  and  $A$  are unital algebras we require, of course, the usual properties concerning the action of the unit and on the unit:

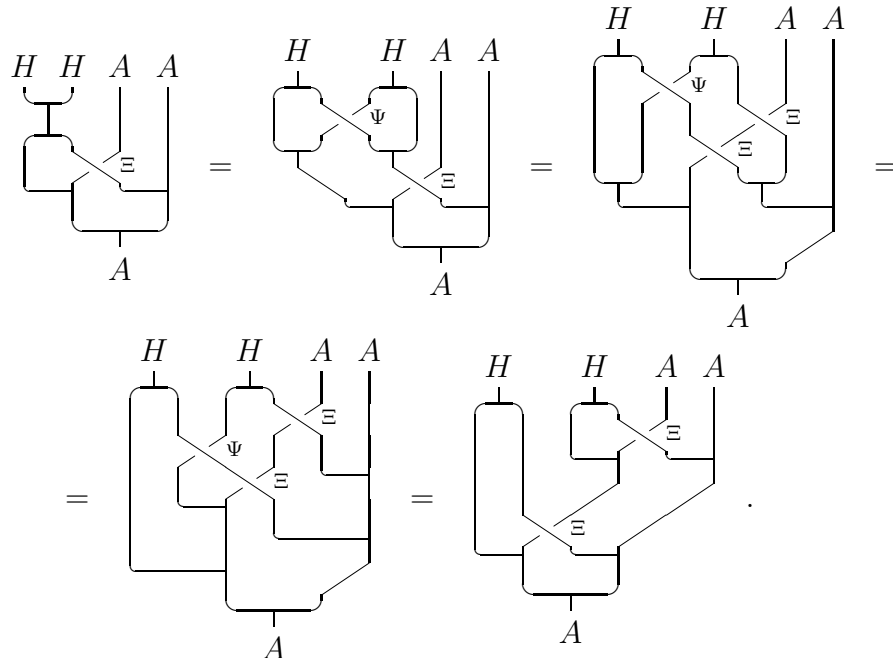
$$(2.5) \quad 1 \triangleright a = a, \quad h \triangleright 1 = \epsilon(h)1.$$

To see that the above definition is correct let us check that the action is compatible with the associativity of the product in  $A$ ,  $h \triangleright ((ab)c) = h \triangleright (a(bc))$ :



To obtain the above identity we use the coassociativity of the coproduct in  $H$  and the compatibility of the coproduct in  $H$  with the braiding  $\Xi$ .

Similarly, to see that the module structure of  $A$  is compatible with the product in  $H$ ,  $(hg) \triangleright (ab) = h \triangleright (g \triangleright (ab))$ , we compute:



**2.1. Action from the pairing.** Let us recall that the duality pairing between two Hopf algebras  $H, A$ , satisfies for all  $h, g \in H, a, b \in A$ :

$$(2.6) \quad \begin{aligned} \langle hg, a \rangle &= \langle h, a_{(1)} \rangle \langle g, a_{(2)} \rangle, & \langle h, ab \rangle &= \langle h_{(1)}, a \rangle \langle h_{(2)}, b \rangle, \\ \langle h, S(a) \rangle &= \langle S(h), a \rangle, & \langle (Sh)^*, a \rangle &= \overline{\langle h, a^* \rangle}. \end{aligned}$$

The last condition is required if both  $A, H$  are Hopf  $*$ -algebras. If such pairing exists it gives rise to a natural left  $H$  module structure on  $A$ , given by

$$(2.7) \quad h \triangleright a = a_{(1)} \langle h, a_{(2)} \rangle.$$

To generalize this in the braided case we first need to define an appropriate pairing.

**Definition 2.2.** Let  $H$  and  $A$  be braided Hopf algebras and  $\langle \cdot, \cdot \rangle : H \otimes A \rightarrow \mathbb{K}$  a bilinear map that satisfies:

$$(2.8) \quad \begin{aligned} & \begin{array}{c} H \quad A \quad A \\ | \quad | \quad | \\ \text{---} \text{---} \text{---} \\ | \quad | \quad | \\ \text{---} \text{---} \end{array} = \begin{array}{c} H \quad A \quad A \\ | \quad | \quad | \\ \text{---} \text{---} \Xi \\ | \quad | \quad | \\ \text{---} \text{---} \end{array}, \\ & \begin{array}{c} H \quad H \quad A \\ | \quad | \quad | \\ \text{---} \text{---} \text{---} \\ | \quad | \quad | \\ \text{---} \text{---} \end{array} = \begin{array}{c} H \quad H \quad A \\ | \quad | \quad | \\ \text{---} \text{---} \Xi \\ | \quad | \quad | \\ \text{---} \text{---} \end{array}, \\ & \begin{array}{c} H \quad A \\ | \quad | \\ \text{---} \text{---} \\ | \quad | \\ \text{---} \text{---} \end{array} = \begin{array}{c} H \quad A \\ | \quad | \\ \text{---} \text{---} \\ | \quad | \\ \text{---} \text{---} \end{array}, \end{aligned}$$

where the box visualizes the pairing and  $\Xi$ , as before, denotes the braiding map between  $H$  and  $A$ , satisfying the conditions (2.1), (2.2), together with analogous conditions for product and coproduct in  $A$ . Then the map  $\langle \cdot, \cdot \rangle$  is called a braided pairing. More details on the properties of the braided antipode can be found in the Appendix A.1.

**Theorem 2.3.** If  $\langle \cdot, \cdot \rangle$  is a braided pairing between Hopf algebras  $H, A$  as defined in the Definition 2.2 that additionally satisfies,

$$(2.9) \quad \begin{array}{c} H \quad A \quad A \\ | \quad | \quad | \\ \text{---} \text{---} \Psi \\ | \quad | \quad | \\ \text{---} \text{---} \Xi \\ | \quad | \quad | \\ \text{---} \text{---} \\ | \quad | \\ \text{---} \text{---} \\ | \quad | \\ \text{---} \text{---} \\ A \end{array} = \begin{array}{c} H \quad A \quad A \\ | \quad | \quad | \\ \text{---} \text{---} \\ | \quad | \quad | \\ \text{---} \text{---} \\ | \quad | \\ \text{---} \text{---} \\ A \end{array}, \quad \begin{array}{c} H \quad H \quad A \\ | \quad | \quad | \\ \text{---} \text{---} \Xi \\ | \quad | \quad | \\ \text{---} \text{---} \Psi \\ | \quad | \quad | \\ \text{---} \text{---} \\ | \quad | \\ \text{---} \text{---} \\ H \end{array} = \begin{array}{c} H \quad H \quad A \\ | \quad | \quad | \\ \text{---} \text{---} \\ | \quad | \quad | \\ \text{---} \text{---} \\ | \quad | \\ \text{---} \text{---} \end{array},$$

then the following defines a braided left action of  $H$  on  $A$ :

$$(2.10) \quad \begin{array}{c} H \quad A \\ | \quad | \\ \text{---} \text{---} \\ | \quad | \\ \text{---} \text{---} \\ A \end{array} = \begin{array}{c} H \quad A \\ | \quad | \\ \text{---} \text{---} \Xi \\ | \quad | \quad | \\ \text{---} \text{---} \\ | \quad | \\ \text{---} \text{---} \\ A \end{array}.$$

*Proof.* Assuming the compatibility of  $\Xi$  with the products and coproducts as well the properties of the pairing stated above we demonstrate that the formula (2.10) defines the braided action in the sense of the Definition 2.1. First, we check the properties of left action (2.3):

In the above in consecutive steps the following properties were used:

- (1) Construction of the left action from the pairing (2.10).
- (2) Compatibility of  $\Xi$  with the product (2.1).
- (3) Second property of the pairing (2.8).
- (4) Coassociativity of the coproduct.
- (5) Compatibility of  $\Xi$  with the coproduct.
- (6) Construction of the left action (2.10).

Similarly, we proceed with the second property of the left action (2.3):

where in the consecutive steps the following properties were used:

- (1) Construction of the left action (2.10).
- (2) Braided bialgebra property.
- (3) Compatibility of  $\Xi$  with the product (2.1).
- (4) First property of the pairing (2.8).
- (5) Compatibility of  $\Xi$  with the coproduct (2.2).
- (6) First additional property of pairing (2.9).
- (7) Compatibility of  $\Xi$  with the coproduct (2.2).
- (8) Construction of the left action (2.10).

Finally, we explicitly demonstrate the compatibility of left action with braided map.

where we have used again the construction of the left action (2.10) in (1), the second additional property of pairing (2.9) in (2) and again the construction of the left action (2.10) in step (3).  $\square$

**2.2. The adjoint action.** A particular example of an action is the adjoint action of a Hopf algebra  $H$  on itself, which is defined as

$$(2.11) \quad h \triangleright g = h_{(1)}gS(h_{(2)}), \quad \forall h, g \in H.$$

This has again a natural generalization for braided Hopf algebras.

**Definition 2.4.** Let  $H$  be a braided Hopf algebra. The braided adjoint action on  $H$  on itself is defined as

$$(2.12) \quad h \triangleright g = \cdot \circ (\cdot \otimes S) \circ (\text{id} \otimes \Psi) \circ (\Delta \otimes \text{id})(h \otimes g),$$

where  $\circ$  stands for the composition of maps. This can be represented diagrammatically in an elegant way:

$$(2.13) \quad \begin{array}{c} H \quad H \\ \text{---} \\ H \end{array} = \begin{array}{c} H \quad H \\ \text{---} \\ \text{---} \\ \text{---} \\ H \end{array} \quad .$$

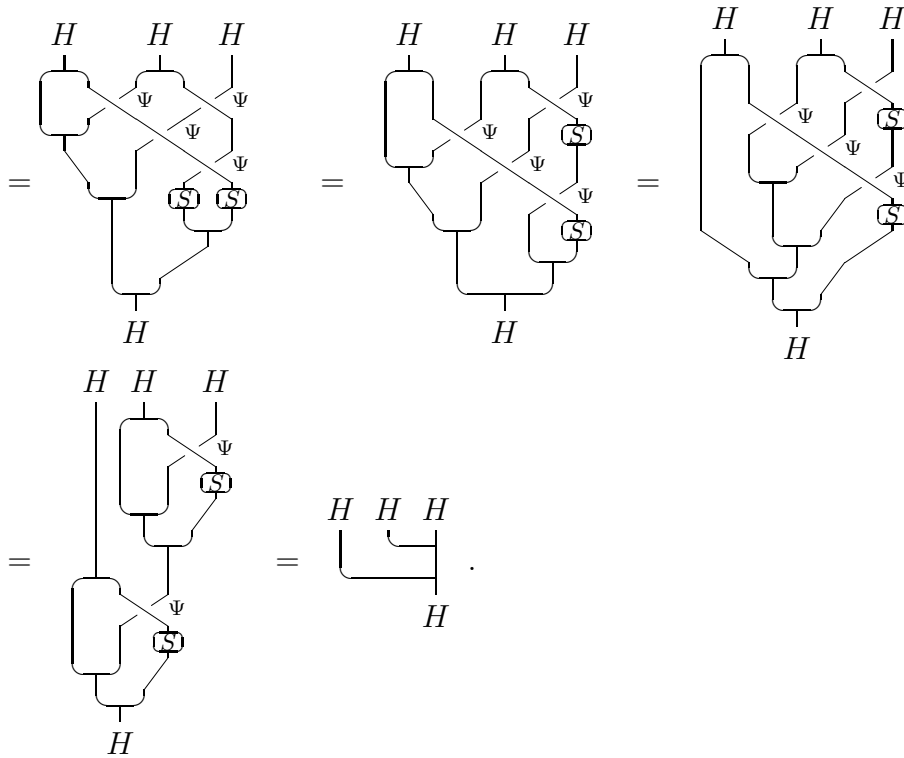
**Theorem 2.5.** The braided adjoint action (2.13) is a braided covariant action of  $H$  on  $H$  in the sense of Definition 2.1 with  $\Psi$  as the braiding between the braided Hopf algebra  $H$  and the left  $H$  module algebra  $H$ .

*Proof.* Since the braiding is just the braiding of  $H$  it automatically satisfies the compatibility with the products and coproducts. Therefore, it remains to verify only the properties (2.3) and first condition from (2.4).

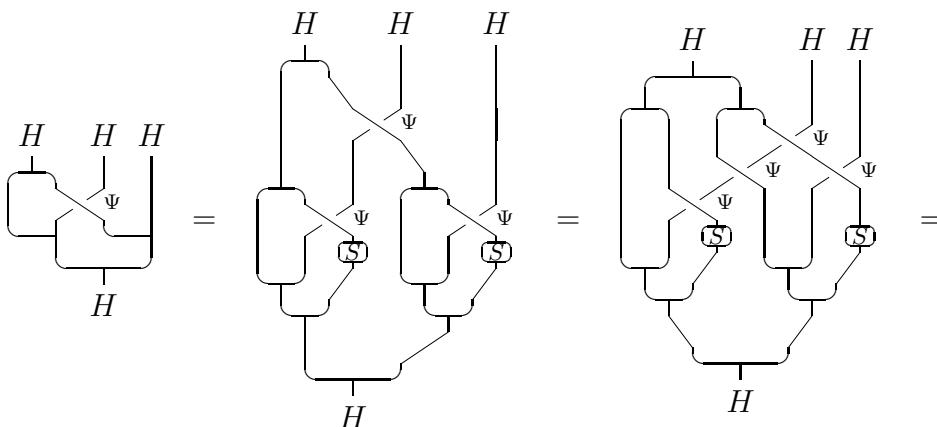
First, let us examine condition  $f \triangleright (g \triangleright h) = (fg) \triangleright h$  (2.3) for the definition 2.12. Starting from the right-hand side one obtains:

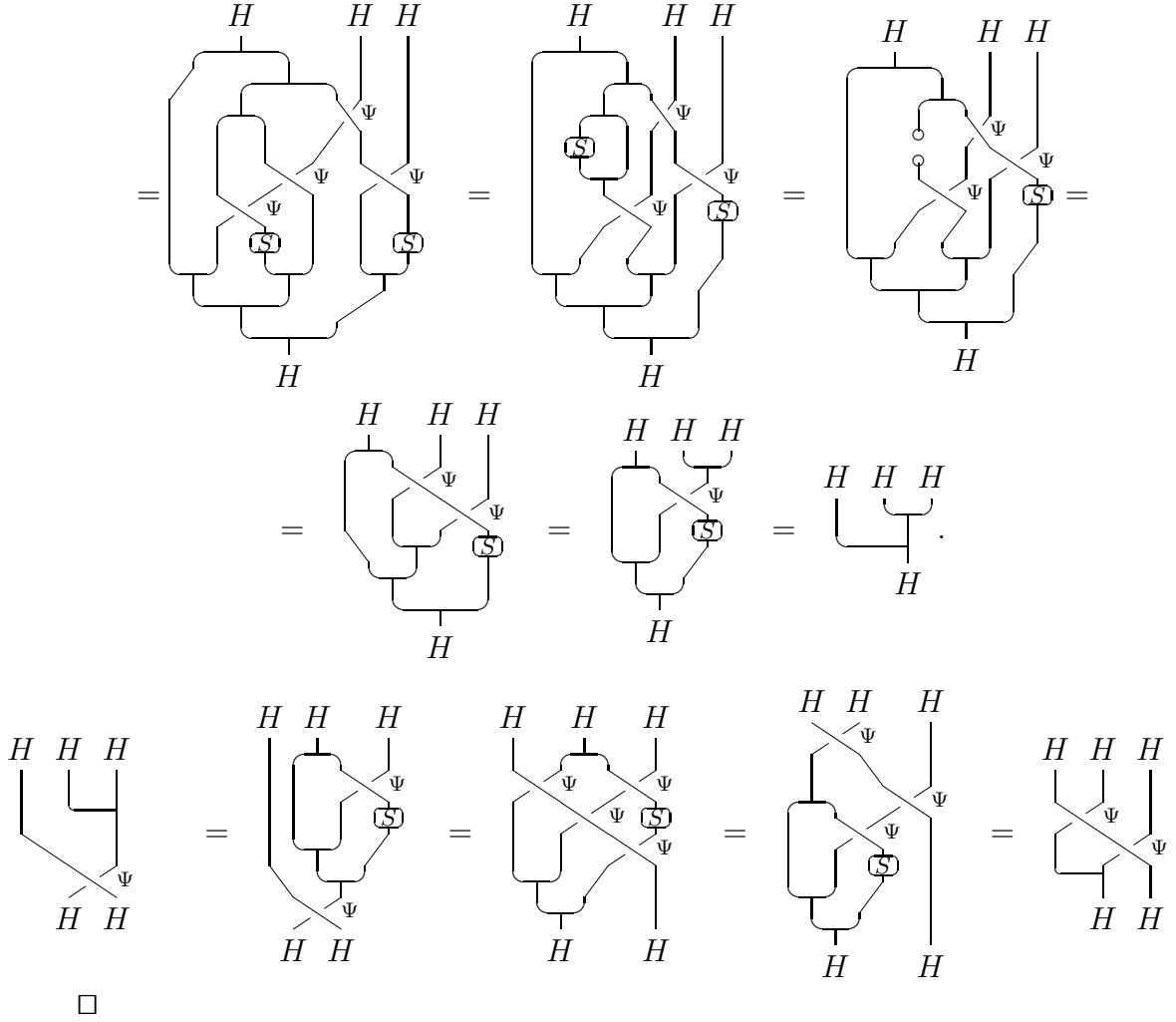
$$\begin{array}{c} H \quad H \quad H \\ \text{---} \\ H \end{array} = \begin{array}{c} H \quad H \quad H \\ \text{---} \\ \text{---} \\ \text{---} \\ H \end{array} = \begin{array}{c} H \quad H \quad H \\ \text{---} \\ \text{---} \\ \text{---} \\ H \end{array} = \begin{array}{c} H \quad H \quad H \\ \text{---} \\ \text{---} \\ \text{---} \\ H \end{array} =$$





The other property from (2.3) is a braided analogue of the  $f \triangleright (gh) = (f_{(1)} \triangleright g)(f_{(2)} \triangleright h)$  with additional braiding between  $g$  and  $f_{(2)}$ . Then, as the last step we verify the first property from (2.4),





### 3. THE $\mathcal{U}_{q,\phi}(\hat{u}(2))$ ALGEBRA

In this section, we will discuss a particular family of braided Hopf algebra, which generalize the standard examples of  $\mathcal{U}_q(\mathfrak{su}(2))$  and  $SU_q(2)$ , together with the pairing between them. Because a large part of this section is based on [1], we provide a short summary of the most important results.

**Lemma 3.1.** [1] *Let  $H$  be a Hopf algebra and let  $\chi : H \rightarrow \mathbb{C}[z, z^{-1}]$  be a Hopf algebra homomorphism, then the following maps are equivariant under the coproduct in  $H$ :*

$$\Delta_L = (\chi \otimes \text{id})\Delta, \quad \Delta_R = (\text{id} \otimes \chi)\Delta.$$

An element  $x \in H$  is called homogeneous of degrees  $\mu(x), \nu(x)$  if

$$\Delta_L(x) = z^{\mu(x)} \otimes x, \quad \Delta_R(x) = x \otimes z^{\nu(x)},$$

and  $\delta(x) := \mu(x) - \nu(x)$  is called an index. Moreover, any element  $x$ , which can be expressed as a product of homogeneous elements  $x = \prod_{i=1}^n x_i$ , is also homogeneous with degrees  $\mu(x)$ ,  $\nu(x)$  and index  $\delta(x)$  equal to :

$$(3.1) \quad \mu(x) = \sum_{i=1}^n \mu(x_i), \quad \nu(x) = \sum_{i=1}^n \nu(x_i), \quad \delta(x) = \sum_{i=1}^n \delta(x_i).$$

**Theorem 3.2.** [1] *Let  $H$  be an Hopf algebra, and  $\chi : H \rightarrow \mathbb{C}[z, z^{-1}]$  Hopf algebra homomorphism. If  $H$  has a countable basis of homogeneous elements, then it can be deformed into braided Hopf algebra with new actions defined in this basis as follows:*

$$x * y = e^{i\phi(\mu(x)\nu(y) - \mu(y)\nu(x))} xy, \quad \Delta_\phi(x) = \sum_j e^{i\phi\delta(x_{(1)}^j)\delta(x_{(2)}^j)} x_{(1)}^j \otimes x_{(2)}^j,$$

$$S_\phi(x) = e^{i\phi\delta(x)^2} S(x), \quad \epsilon_\phi(x) = \epsilon(x), \quad \Psi(x \otimes y) = e^{2i\phi\delta(x)\delta(y)} y \otimes x.$$

For more information about twisting we refer the reader to [1].

**3.1. Quantum  $SU_{q,\phi}(2)$ .** One of the simplest yet nontrivial examples of braided Hopf algebras is  $SU_{q,\phi}(2)$ . In [1] it was shown that such an algebra can be obtained by a procedure called twisting from its well-known non-braided counterpart  $SU_q(2)$  presented for example in [6] [3].

Here we will introduce  $SU_{q,\phi}(2)$  using the notation similar to [12].

**Definition 3.3.** Let  $0 \leq q \leq 1$  be a real number and  $\phi$  an arbitrary phase. The braided Hopf algebra  $SU_{q,\phi}(2)$  over  $\mathbb{C}$  is an algebra generated by  $\alpha, \gamma$  and their adjoints  $\alpha^*, \gamma^*$ , subject to the following commutation relations:

$$\begin{aligned} \alpha\gamma &= qe^{4i\phi}\gamma\alpha, & \alpha\gamma^* &= qe^{-4i\phi}\gamma^*\alpha, \\ \gamma\alpha^* &= qe^{4i\phi}\alpha^*\gamma, & \gamma^*\alpha^* &= qe^{-4i\phi}\alpha^*\gamma^*, \\ \alpha\alpha^* + q^2\gamma^*\gamma &= 1, & \alpha^*\alpha + \gamma\gamma^* &= 1, & \gamma\gamma^* &= \gamma^*\gamma. \end{aligned}$$

The coproduct is defined on the generators as:

$$\begin{aligned} \Delta(\alpha) &= \alpha \otimes \alpha - qe^{-4i\phi}\gamma^* \otimes \gamma, & \Delta(\gamma) &= \gamma \otimes \alpha + \alpha^* \otimes \gamma, \\ \Delta(\alpha^*) &= \alpha^* \otimes \alpha^* - qe^{-4i\phi}\gamma \otimes \gamma^*, & \Delta(\gamma^*) &= \gamma^* \otimes \alpha^* + \alpha \otimes \gamma^*, \end{aligned}$$

with the following counit and antipode,

$$\begin{aligned} \epsilon(\alpha) &= 1, & \epsilon(\alpha^*) &= -1, & \epsilon(\gamma) &= 0, & \epsilon(\gamma^*) &= 0, \\ S(\alpha) &= \alpha^*, & S(\alpha^*) &= \alpha, & S(\gamma) &= -qe^{4i\phi}\gamma, & S(\gamma^*) &= -q^{-1}e^{4i\phi}\gamma^*. \end{aligned}$$

and braiding:

$$\begin{aligned} \Psi(\gamma \otimes \gamma) &= e^{8i\phi}\gamma \otimes \gamma, & \Psi(\gamma^* \otimes \gamma^*) &= e^{8i\phi}\gamma^* \otimes \gamma^*, \\ \Psi(\gamma^* \otimes \gamma) &= e^{-8i\phi}\gamma \otimes \gamma^*, & \Psi(\gamma \otimes \gamma^*) &= e^{-8i\phi}\gamma^* \otimes \gamma, \end{aligned}$$

which is trivial for all other pairs of generators.

**Remark 3.4** ([1] Lemma 3.5). The braided Hopf algebra  $SU_{q,\phi}$  is a deformation of  $SU_q(2) = SU_{q,0}(2)$  following the scheme presented in Theorem 3.2 with

$$\begin{aligned}\mu(\alpha) &= 1, & \mu(\alpha^*) &= -1, & \mu(\gamma) &= -1, & \mu(\gamma^*) &= 1, \\ \nu(\alpha) &= 1, & \nu(\alpha^*) &= -1, & \nu(\gamma) &= 1, & \nu(\gamma^*) &= -1.\end{aligned}$$

**3.2. Quantum  $\mathcal{U}_{q,\phi}(\hat{u}(2))$ .** The classical counterpart of  $SU_{q,\phi}(2)$ , Hopf algebra  $SU_q(2)$  has a nondegenerate pairing with a Hopf algebra  $\mathcal{U}_q(su(2))$ . However, to date there have been no known braided analogues of  $\mathcal{U}_q(su(2))$  that preserves pairing between  $SU_q(2)$  and  $\mathcal{U}_q(su(2))$ . In this section we shall construct a braided analogue of  $\mathcal{U}_q(su(2))$ , fulfilling the above properly, in the spirit of twisting. For the sake of completeness, we will start by invoking well-known definitions and properties that hold for non-braided  $\mathcal{U}_q(su(2))$ .

**Definition 3.5.** Let  $0 \leq q \leq 1$  be a real number. The Hopf algebra  $\mathcal{U}_q(su(2))$  over  $\mathbb{C}$  is an algebra generated by elements  $e, f$ , and an invertible element  $k$ , with product relations:

$$(3.2) \quad \begin{aligned}ek &= qke, & kf &= qfk, \\ ek^{-1} &= q^{-1}k^{-1}e, & k^{-1}f &= q^{-1}fk^{-1}, \\ k^2 - k^{-2} &= (fe - ef)(q - q^{-1}),\end{aligned}$$

the coproduct defined by:

$$(3.3) \quad \begin{aligned}\Delta(k) &= k \otimes k, & \Delta(k^{-1}) &= k^{-1} \otimes k^{-1}, \\ \Delta(e) &= e \otimes k + k^{-1} \otimes e, & \Delta(f) &= f \otimes k + k^{-1} \otimes f,\end{aligned}$$

and counit,  $\epsilon$ , antipode  $S$  and  $*$ -structure:

$$\begin{aligned}\epsilon(k) &= 1, & S(k) &= k^{-1}, & k^* &= k, \\ \epsilon(k^{-1}) &= 1, & S(k^{-1}) &= k, & (k^{-1})^* &= k^{-1}, \\ \epsilon(f) &= 0, & S(f) &= -qf, & f^* &= e, \\ \epsilon(e) &= 0, & S(e) &= -q^{-1}e, & e^* &= f.\end{aligned}$$

We recall the basic theorem about the relation between  $\mathcal{U}_q(su(2))$  and  $SU_q(2)$ .

**Theorem 3.6.** [3] *There exists a bilinear pairing between  $\mathcal{U}_q(su(2))$  and  $SU_q(2)$  defined on generators by:*

$$\begin{aligned}\langle e, \gamma^* \rangle &= -q^{-1}, & \langle f, \gamma \rangle &= 1, \\ \langle k, \alpha \rangle &= q^{-1/2}, & \langle k, \alpha^* \rangle &= q^{1/2}, \\ \langle k^{-1}, \alpha \rangle &= q^{1/2}, & \langle k^{-1}, \alpha^* \rangle &= q^{-1/2},\end{aligned}$$

with all the others pairs of generators pairing to 0. The paring gives rise to an action  $\mathcal{U}_q(su(2))$  on  $SU_q(2)$  defined by  $h \triangleright a = a_{(1)} \langle h, a_{(2)} \rangle$ , which is given explicitly on the generators as:

$$\begin{aligned} k \triangleright \alpha &= q^{-1/2} \alpha, & k \triangleright \alpha^* &= q^{1/2} \alpha^*, & k \triangleright \gamma &= q^{-1/2} \gamma, & k \triangleright \gamma^* &= q^{1/2} \gamma^*, \\ k^{-1} \triangleright \alpha &= q^{1/2} \alpha, & k^{-1} \triangleright \alpha^* &= q^{-1/2} \alpha^*, & k^{-1} \triangleright \gamma &= q^{1/2} \gamma, & k^{-1} \triangleright \gamma^* &= q^{-1/2} \gamma^*, \\ f \triangleright \alpha &= -q \gamma^*, & f \triangleright \alpha^* &= 0, & f \triangleright \gamma &= \alpha^*, & f \triangleright \gamma^* &= 0, \\ e \triangleright \alpha &= 0, & f \triangleright \alpha^* &= \gamma, & e \triangleright \gamma &= 0, & e \triangleright \gamma^* &= -q^{-1} \alpha. \end{aligned}$$

To proceed with a suitable candidate for the braided version of  $\mathcal{U}_q(su(2))$  we need to consider that this Hopf algebra cannot be braided using the same procedure, as there exist no nontrivial homomorphism  $\chi : \mathcal{U}_q(su(2)) \rightarrow \mathbb{C}[z, z^{-1}]$ , that would make the generators  $e, f$  and  $k$  homogeneous. Therefore we need to modify the structure of the algebra or, in fact, work with a slightly bigger algebra. To see how we derive the desired form let us assume that all maps differ from the standard ones only by a scalar factor of modulus one, with  $\phi$  being a free parameter. Moreover, we assume that in the case of  $\phi = 0$  new braided Hopf algebra reduces to  $\mathcal{U}_q(su(2))$ .

Let us have a closer look on the constrains for the proposed braiding procedure.

**Lemma 3.7.** *The only non-zero braiding factors between generators  $e, f, k, k^{-1}$  may be  $\varphi(e, e), \varphi(e, f), \varphi(f, e)$  and  $\varphi(f, f)$ , with the following relation:*

$$(3.4) \quad \varphi(e, e) = -\varphi(e, f) = -\varphi(f, e) = \varphi(f, f),$$

*Proof.* Assume that the braided coproduct of  $k$  is equal to  $\Delta_\phi(k) = c\Delta(k) = ck \otimes k$  where  $c \neq 0$  is some unknown scalar. By compatibility of the braiding with the coproduct for  $k$  and any  $h \in \mathcal{U}_q(su(2))$

$$\begin{aligned} ((\text{id} \otimes \Delta_\phi) \circ \Psi)(k \otimes h) &= ce^{i\phi\varphi(k,h)} h \otimes k \otimes k, \\ (\Psi \otimes \text{id}) \circ (\text{id} \otimes \Psi) \circ (\Delta_\phi \otimes \text{id})(k \otimes h) &= ce^{2i\phi\varphi(k,h)} h \otimes k \otimes k, \end{aligned}$$

where  $\circ$  stands for the composition of maps. So if phase  $\phi$  is arbitrary, then  $\varphi(k, h) = 0$  for all  $h \in \mathcal{U}_{q,\phi}(\hat{u}(2))$ . The last relation from (3.2), by compatibility of braiding with the product gives:

$$\begin{aligned} \Psi(h \otimes (fe - ef)) &= e^{i\phi(\varphi(h,f) + \varphi(h,e))} (fe - ef) \otimes h, \\ \Psi(h \otimes (k^2 - k^{-2})) &= (k^2 - k^{-2}) \otimes h, \end{aligned}$$

and analogously

$$\begin{aligned} \Psi((fe - ef) \otimes h) &= e^{i\phi(\varphi(f,h) + \varphi(e,h))} h \otimes (fe - ef), \\ \Psi((k^2 - k^{-2}) \otimes h) &= h \otimes (k^2 - k^{-2}), \end{aligned}$$

for any  $h \in \mathcal{U}_{q,\phi}(\hat{u}(2))$ . To prove the claim of the lemma it's enough to substitute  $h$  by  $e$  and by  $f$ .  $\square$

Based on those results, we tried to create braided version of bialgebra structure from  $\mathcal{U}_q(\mathfrak{su}(2))$  with help of language FORM<sup>®</sup> by checking all possibilities for braiding factors. Though those attempts were unsuccessful due to a bigger number of conditions when compared to the number of free parameters. The only consistent solution exists for  $\phi = 0$  or  $\phi = \pi$  which is not satisfying. However, to solve this problem, we propose to extend the algebra by requiring that the adjoint of  $k$ ,  $k^*$  is an independent generator. The generator  $k^*$  was added with conditions that relations with  $k^*$  differs from those with  $k$  only by scalar factor of modulus 1. Such construction allows not only the bialgebra, but the entire braided Hopf algebra structure to be introduced which was again, effectively checked with help of FORM<sup>®</sup>.<sup>1</sup>

**Definition 3.8.** Let  $0 \leq q \leq 1$  be a real number and  $\phi$  arbitrary phase. We define  $\mathcal{U}_{q,\phi}(\hat{u}(2))$  over  $\mathbb{C}$  as a  $*$ -algebra generated by  $e$ ,  $f$  and invertible elements  $k$ ,  $k^*$ , with the following product relations (we omit the relations obtained by conjugation),

$$(3.5) \quad \begin{aligned} ek &= qe^{-4i\phi}ke, & kf &= qe^{-4i\phi}fk, \\ (ef - fe) &= \frac{1}{q^{-1} - q} (kk^* - k^{-1}(k^*)^{-1}), & kk^* &= k^*k. \end{aligned}$$

Then, with the following coproduct,

$$(3.6) \quad \begin{aligned} \Delta(k) &= k \otimes k, & \Delta(k^*) &= k^* \otimes k^*, \\ \Delta(e) &= e \otimes k + k^{-1} \otimes e, & \Delta(f) &= f \otimes k^* + (k^*)^{-1} \otimes f, \end{aligned}$$

and the braiding (which is assumed to vanish on other pairs of generators),

$$(3.7) \quad \begin{aligned} \Psi(e \otimes f) &= e^{-8i\phi}f \otimes e, & \Psi(f \otimes e) &= e^{-8i\phi}e \otimes f, \\ \Psi(e \otimes e) &= e^{8i\phi}e \otimes e, & \Psi(f \otimes f) &= e^{8i\phi}f \otimes f. \end{aligned}$$

as well as the counit and the antipode:

$$(3.8) \quad \begin{aligned} \epsilon(e) &= 0, & \epsilon(f) &= 0, & \epsilon(k) &= 1, & \epsilon(k^*) &= 1 \\ S(e) &= -q^{-1}e^{4i\phi}e, & S(f) &= -qe^{4i\phi}f, & S(k) &= k^{-1}, & S(k^*) &= (k^*)^{-1}, \end{aligned}$$

it becomes a braided  $*$ - Hopf algebra.

**Remark 3.9.** Observe that for  $\phi = 0$  the algebra generated by  $e$ ,  $f$ ,  $k$ ,  $k^*$  is a  $*$ -Hopf algebra and there exists a Hopf algebra homomorphism  $\chi : \mathcal{U}_{q,0}(\hat{u}(2)) \rightarrow \mathbb{C}[z, z^{-1}]$ ,

$$\begin{aligned} \chi(e) &= 0, & \chi(f) &= 0, \\ \chi(k) &= z, & \chi(k^*) &= z^{-1}, \end{aligned}$$

which leads to following gradings  $\mu, \nu$  on the  $\mathcal{U}_{q,0}(\mathfrak{su}(2))$  Hopf algebra,

<sup>1</sup>Our calculations can be found at <https://github.com/RafalBistron/balchelor/blob/master/uqsu2>

$$\begin{aligned}\mu(e) &= -1, & \mu(f) &= 1, & \mu(k) &= 1, & \mu(k^*) &= -1, \\ \nu(e) &= 1, & \nu(f) &= -1, & \nu(k) &= 1, & \nu(k^*) &= -1, \\ \delta(e) &= -2, & \delta(f) &= 2, & \delta(k) &= 0, & \delta(k^*) &= 0.\end{aligned}$$

So the algebra,  $\mathcal{U}_{q,0}(\hat{u}(2))$  can be deformed (by procedure described in [1]) similarly as  $SU_q(2)$  and the resulting braided Hopf  $*$ -algebra is  $\mathcal{U}_{q,\phi}(\hat{u}(2))$ .

Note that if one perform polar decomposition  $k = |k|U$ , the bialgebra structure of  $\mathcal{U}_{q,\phi}(\hat{u}(2))$  can be embedded into greater bialgebra  $\mathcal{U}_{q,\phi}(u(2))$ .

**Definition 3.10.** Let  $\mathcal{U}_{q,\phi}(u(2))$  be braided Hopf algebra generated by  $e, f = e^*$ , invertible  $|k| = |k|^*$ , and  $U$  such that  $U^* = U^{-1}$ , subject to the following relations:

$$(3.9) \quad \begin{aligned}e|k| &= q|k|e, & |k|f &= qf|k|, \\ eU &= e^{-4i\phi}Ue, & Uf &= e^{-4i\phi}fU, \\ (ef - fe) &= \frac{1}{q^{-1} - q} (|k|^2 - |k|^{-2}), & |k|U &= U|k|.\end{aligned}$$

The coproduct

$$(3.10) \quad \begin{aligned}\Delta(|k|) &= |k| \otimes |k|, & \Delta(U) &= U \otimes U, \\ \Delta(e) &= e \otimes |k|U + |k|^{-1}U^* \otimes e, & \Delta(f) &= f \otimes |k|U^* + |k|^{-1}U \otimes f,\end{aligned}$$

the braiding (assumed to vanish on other pairs of generators),

$$(3.11) \quad \begin{aligned}\Psi(e \otimes f) &= e^{-8i\phi}f \otimes e, & \Psi(f \otimes e) &= e^{-8i\phi}e \otimes f, \\ \Psi(e \otimes e) &= e^{8i\phi}e \otimes e, & \Psi(f \otimes f) &= e^{8i\phi}f \otimes f,\end{aligned}$$

the counit and the antipode:

$$(3.12) \quad \begin{aligned}S(e) &= -q^{-1}e^{4i\phi}e, & S(f) &= -qe^{4i\phi}f, & S(|k|) &= |k|^{-1}, & S(U) &= U^{-1}. \\ \epsilon(e) &= 0, & \epsilon(f) &= 0, & \epsilon(|k|) &= 1 & \epsilon(U) &= 1\end{aligned}$$

Unlike for the ordinary nonbraided  $\mathcal{U}_q(u(2)) = \mathcal{U}_q(su(2)) \oplus U(1)$ , the braided Hopf algebra  $\mathcal{U}_{q,\phi}(u(2))$  cannot be simply decomposed into parts corresponding to modifications of  $su(2)$  enveloping algebras and  $U(1)$ . Even when  $\phi = 0$ , decomposition into  $\mathcal{U}_q(su(2)) \oplus U(1)$  is true only for the algebra structure. The algebra  $\mathcal{U}_{q,\phi}(\hat{u}(2))$  is in fact a natural sub-bialgebra of  $\mathcal{U}_{q,\phi}(u(2))$ . Details on the  $q \rightarrow 1$  limit are in the Appendix A.2.

However, in the case of  $\phi = 0$  Hopf algebra  $\mathcal{U}_q(su(2))$  can be extracted from both  $\mathcal{U}_{q,0}(\hat{u}(2))$  and  $\mathcal{U}_{q,\phi}(u(2))$ . In the first case it is the quotient by a Hopf ideal generated by  $k - k^*$  whereas in the second case it is a quotient by a star Hopf ideal generated by  $U - 1$ . The latter case could be described as an exact sequence of Hopf algebras:

$$\mathbb{C}[U, U^*] \rightarrow \mathcal{U}_{q,0}(u(2)) \rightarrow \mathcal{U}_q(su(2)).$$

Moreover since we have demonstrated that there is no unambiguous way to find a braiding counterpart of  $\mathcal{U}_q(\mathfrak{su}(2))$  with a scalar braiding, we will interpret  $\mathcal{U}_{q,\phi}(\hat{u}(2))$  as such analogue and in the next section we find the exact pairing and the action on  $SU_{q,\phi}(2)$ .

We would like to end this subsection by mentioning that the above method of braiding can be generalized for any Hopf algebra that is a quantum group arisen from Lie algebra.

**3.3. Relations between  $\mathcal{U}_{q,\phi}(\hat{u}(2))$  and  $SU_{q,\phi}(2)$ .** Next, we shall focus on the relationship between  $\mathcal{U}_{q,\phi}(\hat{u}(2))$  and  $SU_{q,\phi}(2)$  braided Hopf algebras.

**Lemma 3.11.** *The following map,  $\Xi$ , gives the braiding between the two braided Hopf algebras that is compatible with the products and coproducts both in  $SU_{q,\phi}(2)$  and  $\mathcal{U}_{q,\phi}(\hat{u}(2))$ :*

$$(3.13) \quad \Xi(h \otimes a) = e^{2i\phi\delta(h)\delta(a)} a \otimes h,$$

where  $h \in \mathcal{U}_{q,\phi}(\hat{u}(2))$ ,  $a \in SU_{q,\phi}(2)$  and  $\delta$  are as defined before. Explicitly, we have on the generators that the only nontrivial (different from 1) braidings are,

$$(3.14) \quad \begin{aligned} \Xi(e \otimes \gamma) &= e^{8i\phi} \gamma \otimes e, & \Xi(e \otimes \gamma^*) &= e^{-8i\phi} \gamma^* \otimes e, \\ \Xi(f \otimes \gamma) &= e^{-8i\phi} \gamma \otimes f, & \Xi(f \otimes \gamma^*) &= e^{8i\phi} \gamma^* \otimes f. \end{aligned}$$

The compatibility with the coproduct (2.2) and product in  $H$  (2.1) follows directly from the property of  $\delta$ . Similarly it can be explicitly verified that the compatibility with the product and coproduct in  $A$  (2.1, 2.2) holds. We omit the straightforward calculations.

**Theorem 3.12.** *The following (braided) pairing between  $\mathcal{U}_{q,\phi}(\hat{u}(2))$  and  $SU_{q,\phi}(2)$ , which is defined below on the set of generators (with all other pairings vanishing) satisfies all properties stated in Theorem 2.3, Eqs. (2.9).*

$$(3.15) \quad \begin{aligned} \langle e, \gamma^* \rangle &= -q^{-1} e^{-4i\phi}, & \langle f, \gamma \rangle &= 1, \\ \langle k, \alpha \rangle &= q^{-1/2} e^{2i\phi}, & \langle k, \alpha^* \rangle &= q^{1/2} e^{-2i\phi}, \\ \langle k^*, \alpha \rangle &= q^{-1/2} e^{-2i\phi}, & \langle k^*, \alpha^* \rangle &= q^{1/2} e^{2i\phi}, \\ \langle k^{-1}, \alpha \rangle &= q^{1/2} e^{-2i\phi}, & \langle k^{-1}, \alpha^* \rangle &= q^{-1/2} e^{2i\phi}, \\ \langle k^{*-1}, \alpha \rangle &= q^{1/2} e^{2i\phi}, & \langle k^{*-1}, \alpha^* \rangle &= q^{-1/2} e^{-2i\phi}, \end{aligned}$$

We again omit the proof as it is a straightforward but tedious computation and is based on explicit verifications of the pairings with the products and the coproducts as required in (2.8).

Using the above defined pairing by theorem (2.3) one can construct braided left action of  $\mathcal{U}_{q,\phi}(\hat{u}(2))$  on  $SU_{q,\phi}(2)$ . We have,

**Theorem 3.13.** *There exist a left braided action of the braided Hopf algebra  $\mathcal{U}_{q,\phi}(\hat{u}(2))$  on  $SU_{q,\phi}(2)$ , with the mutual braiding  $\Xi$  (3.14), defined through:*

$$(3.16) \quad h \triangleright x = (\text{id} \otimes \langle \cdot, \cdot \rangle)(\Xi \otimes \text{id})(\text{id} \otimes \Delta)(h \otimes x)$$



and a right braided action, which is obtained with the inverse braiding i.e.

$$(3.17) \quad \Xi^{-1}(a \otimes h) = e^{2i\phi\delta(h)\delta(a)} h \otimes a$$

and treating pairing as a function  $SU_{q,\phi}(2) \times \mathcal{U}_{q,\phi}(\hat{u}(2)) \rightarrow \mathbb{C}$ . Then, similarly we have,

$$(3.18) \quad x \triangleleft h = (\langle \cdot, \cdot \rangle \otimes \text{id})(\text{id} \otimes \Xi^{-1})(\Delta \otimes \text{id})(x \otimes h)$$

The explicit formulae for the action on the generators are in the Appendix A.3. To construct a right action of  $\mathcal{U}_{q,\phi}(\hat{u}(2))$  on  $SU_{q,\phi}(2)$  we were forced to change the order of arguments in pairing, and reverse the braiding. It is so because in braided category each transposition should be replaced by braiding resulting in modified expression often with many new or deformed terms. This situation makes the order of arguments extremely important.

#### 4. A FAMILY OF SPHERES

In this section we shall discuss quantum spheres as originating from finite dimensional representation of  $\mathcal{U}_{q,\phi}(\hat{u}(2))$ , with a braided module structure in terms of definition 2.1. Throughout section we use the standard notation of  $q$  calculus,

$$[m]_q = \frac{q^m - q^{-m}}{q - q^{-1}}, \quad m \in \mathbb{Z},$$

$$[m]_q! = [1]_q [2]_q \cdots [m]_q, \quad m \in \mathbb{N}.$$

##### 4.1. Finite dimensional representations of $\mathcal{U}_{q,\phi}(\hat{u}(2))$ .

**Proposition 4.1.** *Let  $l \in \frac{1}{2}\mathbb{N}$  be a half integer,  $\psi \in [0, 2\pi)$ , an arbitrary phase,  $V_l$  a  $2l + 1$ -dimensional vector space over  $\mathbb{C}$  with basis  $e_m$ ,  $m = -l, -l + 1, \dots, l$  and  $T_{l,\psi}$  be a map  $\mathcal{U}_{q,\phi}(\hat{u}(2)) \rightarrow GL(V_l)$  defined of generators by:*

$$(4.1) \quad \begin{aligned} T_{l,\psi}(k)e_m &= q^m e^{-4im\phi - i\psi} e_m, & T_{l,\psi}(f)e_m &= \pm \sqrt{[l - m]_q [l + m + 1]_q} e_{m+1}, \\ T_{l,\psi}(k^*)e_m &= q^m e^{4im\phi + i\psi} e_m, & T_{l,\psi}(e)e_m &= \pm \sqrt{[l + m]_q [l - m + 1]_q} e_{m-1}, \end{aligned}$$

where the signs in  $T_{l,\psi}(f)$  and  $T_{l,\psi}(e)$  actions are the same. Then  $T_{l,\psi}$  is irreducible finite dimensional representation of the algebra  $\mathcal{U}_{q,\phi}(\hat{u}(2))$ .

The proof is straightforward and we skip it. Note that for  $\phi = 0$  and  $\psi = 0$  the representation reduces to the usual representation of  $\mathcal{U}_q(su(2))$ . However, the additional phase  $\psi$ , which a priori can be included in the definition of the generator  $k$  matters, because the map  $k \rightarrow e^{i\psi} k$  is only an algebra morphism and does not preserve the coalgebra structure. To prove the general form of irreducible representations of  $\mathcal{U}_{q,\phi}(\hat{u}(2))$  one can use similar arguments as in the non-braided case for  $\mathcal{U}_q(su(2))$  [7].

**Theorem 4.2.** *Assume that  $qe^{-4i\phi}$  is not a root of unity (i.e.  $(qe^{-4i\phi})^r \neq 1$  for any  $r \in \mathbb{N}$ ), then any finite dimensional irreducible representation  $T$  of  $\mathcal{U}_{q,\phi}(\hat{u}(2))$  algebra is equivalent to some of representations  $T_{l,\psi}$  defined in (4.1)*

*Proof.* As the underlying vector space is finite-dimensional and  $k$  is normal, the operator  $T(k)$  has at least one eigenvector  $e$  and some corresponding eigenvalue  $\mu$ . Because

$$T(k)T(f^r)e = q^r e^{-4ri\phi} T(f^r)T(k)e = q^r e^{-4ri\phi} \mu T(f^r)e,$$

for any  $r \in \mathbb{N}$ , so  $T(f^r)e$  is either 0 or an eigenvector of  $T(k)$  to the eigenvalue  $q^r e^{-4ri\phi} \mu$ .

Because  $q e^{-4i\phi}$  is not the root of unity,  $q^r e^{-4ri\phi} \mu \neq \mu$  therefore  $e$  and  $T(f^r)e$  are different eigenvectors for different  $r$ . Moreover since  $V$  is finite dimensional, there exists  $r$  such that  $T(f^r)e \neq 0$  and  $T(f^{r+1})e = 0$ .

Given this  $r$  lets define basis vector  $T(f^r)e = e_0$  with corresponding eigenvalue  $\lambda$ :  $T(k)e_0 = \lambda e_0$ . Because  $k$  and  $k^*$  are conjugate, their representations are Hermitian adjoint, so  $e_0$  is also eigenvector of  $T(k^*)$  to eigenvalue  $\bar{\lambda}$ .

By defining  $e^{(s)} = e^s / [s]_q!$ ,  $e_s = T(e^{(s)})e_0$  one gets:

$$T(k)e_s = T(k)T(e^{(s)})e_0 = \lambda q^{-s} e^{4si\phi} T(e^{(s)})e_0 = \lambda q^{-s} e^{4si\phi} e_s.$$

Once again, because  $V$  is finite dimensional, there exist the smallest  $p \in \mathbb{N}$  such that  $T(e^{(p)})e_0 \neq 0$  and  $T(e^{(p+1)})e_0 = 0$ . For any  $r \in \{1, \dots, p\}$ :

$$\begin{aligned} T(f)e_r &= T(f)T(e^{(r)})e_0 = T\left(e^{(r-1)} \frac{q^{-(r-1)} k k^* - q^{r-1} k^{-1} k^{*-1}}{q - q^{-1}} + e^{(r)} f\right) e_0 = \\ &= T(e^{(r-1)}) \frac{q^{-(r-1)} T(k)T(k^*) - q^{r-1} T(k^{-1})T(k^{*-1})}{q - q^{-1}} e_0 + T(e^{(r)})T(f)e_0 = \\ &= \frac{q^{-r+1} |\lambda|^2 - q^{r-1} |\lambda|^{-2}}{q - q^{-1}} e_{r-1}. \end{aligned}$$

Thus, the subspace  $V'$  spanned by the vectors  $e_0, e_1, \dots, e_p$  is invariant under the operators  $T(e), T(f), T(k), T(k^*)$ . Since the representation is irreducible,  $V' = V$  and vectors  $e_0, e_1, \dots, e_p$  form a basis of  $V$ .

The next step is to find all possible values of  $\lambda$ . Since  $T(e^{(p+1)})e_0 = 0$  and  $T(f)e_0 = 0$ :

$$(T(e^{(p+1)})T(f) - T(f)T(e^{(p+1)})) e_0 = \frac{q^{-p} |\lambda|^2 - q^p |\lambda|^{-2}}{q - q^{-1}} e_p = 0.$$

Then  $|\lambda|^2 = q^p$  so  $\lambda = q^{p/2} e^{-i\psi}$  where  $\psi$  is independent phase. Therefore the representation  $T$  is given by:

$$(4.2) \quad \begin{aligned} T(f)e_r &= [p - r + 1]_q e_{r-1}, & T(e)e_r &= [r + 1]_q e_{r+1}, \\ T(k)e_r &= q^{p/2-r} e^{4ri\phi - i\psi} e_r, & T(k^*)e_r &= q^{p/2-r} e^{-4ri\phi + i\psi} e_r. \end{aligned}$$

If one sets  $l = \frac{p}{2}$  and  $e'_r = (\pm 1)^{-r} ([l - r]! / [l + r + 1]!)^{1/2} e_{l-r}$  for  $r = -l, \dots, l$  and  $\psi' = \psi - 4l\phi$  then, the formulas (4.2) might be rewritten as:

$$(4.3) \quad \begin{aligned} T(f)e'_s &= \pm \sqrt{[l-s]_q[l+s+1]_q} e'_{s+1}, & T(e)e'_s &= \pm \sqrt{[l+s]_q[l-s+1]_q} e'_{s-1}, \\ T(k)e'_s &= q^s e^{-4is\phi - i\psi'} e'_s, & T(k^*)e'_s &= q^s e^{4is\phi + i\psi'} e'_s. \end{aligned}$$

This ends the proof.  $\square$

**4.2. The quantum sphere algebras.** Knowing that every irreducible representation of  $\mathcal{U}_{q,\phi}(\hat{u}(2))$  is equivalent to the one described in (4.1), in order to find the most general description of quantum spheres with 3 generators, we shall look for  $\mathcal{U}_{q,\phi}(\hat{u}(2))$  braided module algebra, which are generated by fundamental representation ( $l = 1$ ) of the  $\mathcal{U}_{q,\phi}(\hat{u}(2))$  braided Hopf algebra. This means that the algebra is generated by  $e_{-1}, e_0, e_1 \in V_1$  and the action of the  $\mathcal{U}_{q,\phi}(\hat{u}(2))$  algebra on these elements is given exactly by (4.3).

The goal now is to find commutation relations for basis vectors of  $V_l, l = 1$  and a braided action  $\Xi$  between  $\mathcal{U}_{q,\phi}(\hat{u}(2))$  and  $V_l$ , such that  $\mathcal{U}_{q,\phi}(\hat{u}(2))$  acts covariantly on the algebra generated by those vectors. We assume that the braided action  $\Xi$  depends on the phase factor, similarly as in the case of  $SU_{q,\phi}(2)$  through an additive index with the generators being homogeneous elements,  $\delta(e_k) = lk$ , where  $l$  is some unknown constant. A further assumption is that the commutation relations can be expressed by polynomials of degrees at most two in basis vectors  $e_i$ . This assumption is imposed so as to make new algebras  $S_{q,\phi}^2$  a suitable braided generalization of the known structures such as Podleś spheres [12] [10].

To simplify the notation, we write  $T_1(h)e_i = h \triangleright e_i$  for any  $h \in \mathcal{U}_{q,\phi}(\hat{u}(2))$  and  $e_i \in S_{q,\phi}^2$ . Then the explicit form of the representation on generators is given by:

$$(4.4) \quad \begin{aligned} k \triangleright e_{-1} &= q^{-1} e^{4i\phi - i\psi} e_{-1}, & k \triangleright e_0 &= e^{-i\psi} e_0, & k \triangleright e_1 &= q e^{-4i\phi - i\psi} e_1, \\ k^* \triangleright e_{-1} &= q^{-1} e^{-4i\phi + i\psi} e_{-1}, & k^* \triangleright e_0 &= e^{i\psi} e_0, & k^* \triangleright e_1 &= q e^{4i\phi + i\psi} e_1, \\ f \triangleright e_{-1} &= \sqrt{[2]_q} e_0, & f \triangleright e_0 &= \sqrt{[2]_q} e_1, & f \triangleright e_1 &= 0, \\ e \triangleright e_{-1} &= 0, & e \triangleright e_0 &= \sqrt{[2]_q} e_{-1}, & e \triangleright e_1 &= \sqrt{[2]_q} e_0. \end{aligned}$$

Note that by acting  $k$  on second degree monomials in eigenvectors one gets

$$k \triangleright (e_j e_k) = (k \triangleright e_j)(k \triangleright e_k) = q^{i+j} e^{-4(j+k)i\phi - 2i\psi} e_j e_k$$

Therefore, if  $\psi \neq 0$ , the relations need to be homogeneous polynomials and due to an arbitrary  $\phi$ , the sum of indices  $j + k$  must be constant.

**Lemma 4.3.** *The commutation relations which are compatible with the action of the  $\mathcal{U}_{q,\phi}(\hat{u}(2))$  algebra are, for  $\psi \neq 0$ ,*

$$(4.5) \quad \begin{aligned} e_0 e_1 - q^2 e^{2i\psi} e_1 e_0 &= 0, \\ q e^{-4i\phi - i\psi} e_{-1} e_1 + (e^{i\psi} - q^2 e^{i\psi}) e_0 e_0 - q e^{-4i\phi + 3i\psi} e_1 e_{-1} &= 0, \\ e_{-1} e_0 - q^2 e^{2i\psi} e_0 e_{-1} &= 0, \\ -q^{-1} e^{-4i\phi - 2i\psi} e_{-1} e_1 + e_0 e_0 - q e^{-4i\phi + 2i\psi} e_1 e_{-1} &= 0. \end{aligned}$$

*Proof.* All possible relation can be expressed as:

$$(4.6) \quad \begin{aligned} \alpha_1 e_0 e_1 + \alpha_2 e_1 e_0 &= 0, \\ \beta_1 e_{-1} e_1 + \beta_2 e_0 e_0 + \beta_3 e_1 e_{-1} &= 0, \\ \gamma_1 e_{-1} e_0 + \gamma_2 e_0 e_{-1} &= 0, \\ \delta_1 e_{-1} e_1 + \delta_2 e_0 e_0 + \delta_3 e_1 e_{-1} &= 0. \end{aligned}$$

where all  $\alpha$ 's,  $\beta$ 's,  $\gamma$ 's,  $\delta$ 's are unknown constants. To examine those possibilities one have to analyse their behaviour under the action of  $f$  and  $e$ . One can notice, that as  $f$  behaves like a "raising" operator and  $e$  behave like a "lowering" operator for  $e_i$  indexes, so the first three relations should be connected. From the same reason  $f$  should annihilate the first relation and  $e$  the third one. To proof the statement one should examine relations discussed above by calculating action of  $e$  and  $f$ .

Moreover during calculation one will get constraint  $l = 2$ , so algebra generators are homogenous with degrees  $\delta(e_k) = 2k$ .  $\square$

The above form of relations can be further simplified. By substitution

$$(4.7) \quad \begin{aligned} e_1 &= -e^{2i\phi} q \sqrt{1+q^2}^{-1} e'_1, & e_{-1} &= e^{2i\phi} \sqrt{1+q^2}^{-1} e'_{-1} \\ \lambda &= (1+q^2)\lambda', & \rho &= (1+q^2)\rho' \end{aligned}$$

one can eliminate parameter  $\phi$  from relations (4.5) and simplify them further to:

$$(4.8) \quad \begin{aligned} e'_1 e_0 &= q^{-2} e^{-2i\psi} e_0 e'_1 & e'_{-1} e_0 &= q^2 e^{2i\psi} e_0 e'_{-1} \\ e'_1 e'_{-1} &= -q^{-2} e^{-2i\psi} e_0 e_0, & e'_{-1} e'_1 &= -q^2 e^{2i\psi} e_0 e_0. \end{aligned}$$

One can easily see that the basis of the above algebra are of the form  $(e_0)^n (e_1)^m$  and  $(e_0)^n (e_{-1})^m$ . Note that all commutation relations depend exclusively on  $z = q^2 e^{2i\psi}$  or its inverse and therefore the algebra cannot be a star algebra unless  $q^2 = 1$ .

Together with lack of  $*$ -structure comes also undesirable property of (4.8) representations.

**Lemma 4.4.** *There are no bounded representation of algebra defined by (4.8) such that  $e_0$  possess at least one eigenvector to nonzero eigenvalue.*

*Proof.* Assume that  $e_0$  possess at least one eigenvector  $v_0 \in V$  with some eigenvalue  $\lambda \neq 0$ . Let us define:

$$v_k = e_1^k v_0, \quad v_{-k} = e_{-1}^k v_0,$$

For any  $k \in \mathbb{N}$ . Then clearly  $v_k$  and  $v_{-k}$  are eigenvectors of  $e_0$  to the eigenvalues  $q^{2k} e^{2ki\psi} \lambda$ ,  $q^{-2k} e^{-2ki\psi} \lambda$ . For example for  $e_1$ :

$$e_0 v_1 = e_0 e_1' v_0 = q^2 e^{2i\psi} e_1' e_0 v_0 = q^2 e^{2i\psi} e_1' \lambda v_0 = q^2 e^{2i\psi} \lambda v_1.$$

If the representation of  $e_0$  is bounded, then there exist some  $N \in \mathbb{R}_+$  such that  $q^{2k} < N \forall k \in \mathbb{N}$ . Therefore  $q < 1$  so  $q^{-1} > 1$  and  $\lim_{k \rightarrow \infty} q^{-2k} = \infty$ .  $\square$

A much more interesting case is when  $\psi = 0$ .

**Lemma 4.5.** *The quadratic algebra  $S_{q,\phi}^2$ , which is  $\mathcal{U}_{q,\phi}(\hat{u}(2))$  module algebra (in the braided sense) has the form,*

$$(4.9) \quad \begin{aligned} e_0 e_1 - q^2 e_1 e_0 &= \lambda' e_1, \\ q e^{-4i\phi} e_{-1} e_1 + (1 - q^2) e_0 e_0 - q e^{-4i\phi} e_1 e_{-1} &= \lambda' e_0, \\ e_{-1} e_0 - q^2 e_0 e_{-1} &= \lambda' e_{-1}, \\ -q^{-1} e^{-4i\phi} e_{-1} e_1 + e_0 e_0 - q e^{-4i\phi} e_1 e_{-1} &= \rho' 1. \end{aligned}$$

*Proof.* Firstly, because each relations should be invariant under action of  $k$  and  $k^*$ , similarly as in case of  $\psi \neq 0$ , all available possibilities are:

$$(4.10) \quad \begin{aligned} \alpha_1 e_0 e_1 + \alpha_2 e_1 e_0 &= \lambda_1 e_1, \\ \beta_1 e_{-1} e_1 + \beta_2 e_0 e_0 + \beta_3 e_1 e_{-1} &= \lambda_2 e_0, \\ \gamma_1 e_{-1} e_0 + \gamma_2 e_0 e_{-1} &= \lambda_3 e_{-1}, \\ \delta_1 e_{-1} e_1 + \delta_2 e_0 e_0 + \delta_3 e_1 e_{-1} &= \rho 1, \end{aligned}$$

where all  $\alpha$ 's,  $\beta$ 's,  $\gamma$ 's,  $\delta$ 's,  $\lambda$ 's and  $\rho$  are unknown constants. Even though relations are different that for  $\psi \neq 0$ , the argument with raising and lowering indexes still holds, so the first three relations have to be connected. Moreover, because the identity 1 can be treated as a 1-dimensional representation, both  $f$  and  $e$  should annihilate the fourth relation. To proof the statement one should examine relations discussed above by calculating action of  $e$  and  $f$ . Moreover, during calculation one will get constraint  $l = 2$ , so algebra generators are homogenous with degrees  $\delta(e_k) = 2k$ .  $\square$

One can check by a straightforward computation, that the case  $\psi = 0$  after same substitution as before:

$$(4.11) \quad \begin{aligned} e_1 &= -e^{2i\phi} q \sqrt{1+q^2}^{-1} e_1', & e_{-1} &= e^{2i\phi} \sqrt{1+q^2}^{-1} e_{-1}' \\ \lambda &= (1+q^2) \lambda', & \rho &= (1+q^2) \rho' \end{aligned}$$

corresponds to the Podleś spheres described in [12]:

$$(4.12) \quad \begin{aligned} (1+q^2)e_0e'_1 - q^2(1+q^2)e'_1e_0 &= \lambda e'_1, \\ q^2(e'_1e'_{-1} - e'_{-1}e'_1) + (1-q^4)e_0e_0 &= \lambda e_0, \\ (1+q^2)e'_{-1}e_0 - q^2(1+q^2)e_0e'_{-1} &= \lambda e'_{-1}, \\ e'_{-1}e'_1 + (1+q^2)e_0e_0 + q^2e'_1e'_{-1} &= \rho 1. \end{aligned}$$

Observe that this algebra admit a  $*$ -structure of the form  $e_i^* = e_{-i}$  if and only if  $\lambda, \rho \in \mathbb{R}$ . In these bases the left action of the  $\mathcal{U}_{q,\phi}(\hat{u}(2))$  braided Hopf algebra takes a form:

$$(4.13) \quad \begin{aligned} k \triangleright e'_1 &= qe^{-4i\phi}e'_1, & k \triangleright e_0 &= e_0, & k \triangleright e'_{-1} &= q^{-1}e^{4i\phi}e'_{-1}, \\ k^* \triangleright e'_1 &= qe^{4i\phi}e'_1, & k^* \triangleright e_0 &= e_0, & k^* \triangleright e'_{-1} &= q^{-1}e^{-4i\phi}e'_{-1}, \\ f \triangleright e'_1 &= 0, & f \triangleright e_0 &= -e^{2i\phi}q^{\frac{1}{2}}e'_1, & f \triangleright e'_{-1} &= e^{-2i\phi}q^{-\frac{1}{2}}(1+q^2)e_0, \\ e \triangleright e'_1 &= -e^{-2i\phi}q^{-\frac{3}{2}}(1+q^2)e_0, & e \triangleright e_0 &= e^{2i\phi}q^{-\frac{1}{2}}e'_{-1}, & e \triangleright e'_{-1} &= 0. \end{aligned}$$

One more, perhaps better known, equivalent version of this family of Podleś spheres, may be found in the Appendix A.4.

For non-braided algebras  $\mathcal{U}_q(su(2))$  and  $SU_q(2)$  Podleś spheres might be found as subalgebras of  $SU_q(2)$  annihilated by some self-adjoint, quasi primitive  $x \in \mathcal{U}_q(su(2))$ , that is

$$\Delta x = x \otimes h_1 + h_2 \otimes x$$

for some  $h_1, h_2 \in \mathcal{U}_q(su(2))$ . Indeed subspace of  $SU_q(2)$  annihilated by such  $x$  is a subalgebra, since if  $x \triangleright a = 0$  and  $x \triangleright b = 0$  for some  $a, b \in SU_q(2)$ , then

$$x \triangleright (ab) = (x \triangleright a)(h_2 \triangleright b) + (h_2 \triangleright a)(x \triangleright b) = 0.$$

Below we generalize this property for braided Hopf algebras.

**Theorem 4.6.** *Let  $H$  be a braided Hopf algebra and  $A$  an  $H$ -braided module algebra. Denote for an element  $x \in H$  the kernel of its action by  $A_x = \{a \in A : x \triangleright a = 0\}$ . If an element of  $x \in H$  is quasi-primitive, and the braiding  $\Xi$  between  $H$  and  $A$  satisfies that for any  $a \in A_x, b \in A_x$*

$$\Xi(x \otimes a) = \tilde{a} \otimes x, \quad \Xi(h_1 \otimes b) \in A_x \otimes H,$$

Then  $A_x$  is an algebra.

*Proof.* Assume that  $a, b \in A_x$ . We verify:

$$\begin{aligned} x \triangleright ab &= (\triangleright \cdot \triangleright)(\text{id} \otimes \Xi \otimes \text{id})\Delta x \otimes a \otimes b = \\ &= (x \triangleright \Xi(h_1, a)_{(1)}) (\Xi(h_1, a)_{(2)} \triangleright b) + (h_2 \triangleright \Xi(x, a)_{(1)}) (\Xi(x, a)_{(2)} \triangleright b) = \\ &= 0, \end{aligned}$$

where the vanishing of both terms follows directly from our assumption.  $\square$

We can now apply it to the case of  $\mathcal{U}_{q,\phi}(\hat{u}(2))$  and  $SU_{q,\phi}(2)$ . Note, that due to  $\phi \neq 0$  there is no selfadjoint element of the symmetry algebra that satisfies these conditions apart from  $x = kk^* - 1$ .

It is easy to see that the subalgebra of  $SU_{q,\phi}(2)$ , which arises in that way (using the right action) can be identified with the above spheres, in the following way:

$$(4.14) \quad \begin{aligned} e'_1 &= (1 + q^2)q^{-1}e^{4i\phi}\gamma^*\alpha^*, & e_0 &= 1 - (1 + q^2)\gamma^*\gamma, \\ e'_{-1} &= (1 + q^2)q^{-1}e^{-4i\phi}\alpha\gamma, \end{aligned}$$

with  $\lambda = 1 - q^4$ ,  $\rho = 1 + q^2$  and the  $\mathcal{U}_{q,\phi}(\hat{u}(2))$  action comes from its left action on  $SU_{q,\phi}(2)$ .

## 5. STAR STRUCTURE

All algebras we discussed in the previous sections were, in fact, braided Hopf  $*$ -algebras or  $*$ -algebras. It appears that the requirement that all braided structures are compatible with the star brings a lot of unexpected complications.

In this section we recall the basic properties of the star structure which plays a significant role in defining the compatibility of the braided module structure with the conjugation. The star structure compatibility for a Hopf algebra action of  $H$  on  $A$  is defined by the following condition,

$$(5.1) \quad (h \triangleright a)^* = (Sh)^* \triangleright a^*, \quad \forall h \in H, a \in A,$$

It needs to be appropriately translated into the braided case and, in general, will require additional compatibility conditions between the star, braiding and antipodes. As our interest here lies in the area of specific braiding, which is obtained by the twisting procedure we shall restrict our attention to such case only. Nonetheless, we believe that our results may be expanded to a broader framework, leaving a more general approach for future work.

**Theorem 5.1.** *Let  $H$  be a braided Hopf algebra obtained from twisting, which acts on an algebra  $A$  so that the mutual braiding between  $H$  and  $A$  is also determined by the degrees  $\delta$  on homogeneous elements. If for any homogeneous elements  $h \in H$ ,  $a \in A$ ,*

$$(5.2) \quad \delta(h)\delta(a) = \delta(a^*)\delta(h^*),$$

then left action is  $*$ -compatible in the sense:

$$(5.3) \quad \begin{array}{c} H \quad A \\ \downarrow \quad | \\ \text{---} \quad | \\ \quad \quad | \\ \quad \quad \text{---} \\ \quad \quad \text{---} \\ \quad \quad | \\ \quad \quad A \end{array} \quad * \quad = \quad \begin{array}{c} H \quad A \\ \downarrow \quad | \\ \text{---} \quad | \\ \quad \quad | \\ \quad \quad \text{---} \\ \quad \quad \text{---} \\ \quad \quad | \\ \quad \quad A \end{array} \quad ,$$

where the  $*$ -structure on tensor product  $H \otimes A$  has a form:

$$(h \otimes a)^* = e^{-2i\phi\delta(h)\delta(a)} h^* \otimes a^*$$

*Proof.* We will start by assuming that the conjugation of the tensor product of two homogeneous elements  $h \otimes a$  in  $H \otimes A$  acquires a phase factor depending on their degrees,

$$(5.4) \quad (h \otimes a)^* = \varphi(\delta(h), \delta(a)) h^* \otimes a^*,$$

and we use it in the condition (5.3) to see what restriction on the function  $\varphi$  arises from the compatibility relations.

To do so, one must check the compatibility between  $*$ -structure (5.3) and multiplication both in  $H$  and  $A$ . Because the braiding is defined as transportation times scalar factor and  $*$ -structure differs from ordinary definition also by some scalar function, it should come as no surprise that the above conditions would give us only the constraints for those scalar terms.

The full calculations of compatibility conditions are moved to the appendix A.5 due to their length and the resulting constraints are:

$$(5.5) \quad \varphi(\delta(g) + \delta(h), \delta(a)) = \varphi(\delta(h), \delta(g) + \delta(a)) \varphi(g, a) e^{2i\phi\delta(h)\delta(g)}$$

$$(5.6) \quad \varphi(\delta(h), \delta(a) + \delta(b)) = \varphi(\delta(h_{(1)}), \delta(a)) \varphi(\delta(h_{(2)}), \delta(b)) e^{-2i\phi\delta(h_{(2)})\delta(a)} e^{-2i\phi\delta(h_{(1)})\delta(b)}$$

Hence, we will only manipulate (5.5) and (5.6) to derive the general form of  $\varphi(\cdot, \cdot)$ . First, we may set  $\delta(g) = 0$  in (5.5) to obtain:

$$\varphi(\delta(h), \delta(a)) = \varphi(\delta(h), \delta(a)) \varphi(0, \delta(a)),$$

Therefore  $\varphi(0, \delta(a)) = 1$ . Next, consider (5.6) with  $\delta(h) = 0$ , which also means  $\delta(h_{(1)}) + \delta(h_{(2)}) = 0$ :

$$(5.7) \quad \begin{aligned} 1 &= \varphi(\delta(h_{(1)}), \delta(a)) \varphi(-\delta(h_{(1)}), \delta(b)) e^{2i\phi\delta(h_{(1)})\delta(a)} e^{-2i\phi\delta(h_{(1)})\delta(b)} \\ \varphi(\delta(h_{(1)}), \delta(a))^{-1} e^{-2i\phi\delta(h_{(1)})\delta(a)} &= \varphi(-\delta(h_{(1)}), \delta(b)) e^{2i\phi\delta(-h_{(1)})\delta(b)} \end{aligned}$$

Now the left-hand side of (5.7) is dependent on  $\delta(a)$ , while right hand side is not, and similarly for  $\delta(b)$ , so both sides of (5.7) are some function of  $\delta(h_{(1)})$ . Changing notation  $h_{(1)} \rightarrow g$ , this gives:

$$(5.8) \quad \varphi(\delta(g), \delta(a))^{-1} e^{-2i\phi\delta(g)\delta(a)} = f(\delta(g)),$$

with  $f(0) = 1$ . Plugging that back into (5.6) after short manipulation one gets:

$$(5.9) \quad \varphi(\delta(h), \delta(a) + \delta(b)) e^{2i\phi\delta(h)\delta(a)} e^{2i\phi\delta(h)\delta(b)} = f(\delta(h_{(1)}))^{-1} f(\delta(h) - \delta(h_{(1)}))^{-1}$$

Similarly as before both sides are in fact only some new functions of  $\delta(h)$ :  $F(\delta(h))$  since this in the only variable present on both sides. This gives us following condition for  $f(x)$ :

$$1 = F(y) f(x) f(y - x).$$

If one sets  $x = y$ , then above simplifies to  $F(x) = f(x)^{-1}$ , so in general:

$$f(y) f(x)^{-1} = f(y - x).$$



Therefore  $f(x)$  is just an exponent function  $f(x) = e^{\alpha x}$  with some independent coefficient  $\alpha$  and we obtained:

$$(5.10) \quad \varphi(\delta(g), \delta(a)) = e^{\alpha\delta(g)} e^{-2i\phi\delta(g)\delta(a)}$$

If algebra  $A$  is unital, then by 5.10 we have:

$$\triangleright \circ (S(g) \otimes 1)^* = e^{\alpha\delta(g)} S(g)^* \triangleright 1^* = e^{\alpha\delta(g)} 1(S(g)^*) = e^{\alpha\delta(g)} 1(S(g))^* = e^{\alpha\delta(g)} \epsilon(g)^*,$$

but on the other hand it must be equal to:

$$(g \triangleright 1)^* = \epsilon(g)^*.$$

Therefore  $\alpha$  has to be equal to 0.  $\square$

One may also check by simple calculation on generators that action of  $\mathcal{U}_{q,\phi}(\hat{u}(2))$  on itself via adjoint action, on  $SU_{q,\phi}(2)$  and on  $S_{q,\phi}^2$  is  $*$ -compatible in the sense of (5.3).

## 6. CONCLUSIONS AND OUTLOOK

The presented work explicitly constructs the symmetries, understood as braided Hopf algebra actions, of the  $SU_{q,\phi}(2)$  algebra and the Podleś spheres. To provide this concrete answer we first systematically developed the theory of left action of braided Hopf algebras on algebras and illustrated it with the adjoint action of a braided Hopf algebra on itself and an action obtained from the pairing between two braided Hopf algebras. We further developed the notion of compatibility of the star structure with the action of Hopf algebras on algebras in a braided case with braiding obtained by the twisting procedure.

Subsequently we introduced a new braided Hopf algebra,  $\mathcal{U}_{q,\phi}(\hat{u}(2))$ , as an analogue of  $\mathcal{U}_{q,\phi}(su(2))$  algebra preserving its duality to braided  $SU_{q,\phi}(2)$  algebra.

Thanks to that we could provide an explicit example of braided left action obtained from the pairing and, by reversing the braiding, the right action. This has not been known so far and is a crucial step into a systematic application of the discovered action together with the representation theory of the  $\mathcal{U}_{q,\phi}(\hat{u}(2))$  algebra to develop the spectral geometry of the braided  $SU_{q,\phi}(2)$  algebra. Moreover, the derivation of the algebras of Podleś spheres is a different one and, in a sense, complementary to the one presented in [12].

The concrete realisation of the braided version of a Hopf algebra acting on them shows that one needs to pass to a larger object to accommodate for additional constraints imposed by the braiding. Thus, the Podleś spheres allow, as symmetries in the sense of an action, not only the usual  $\mathcal{U}_q(su(2))$  Hopf algebra but also a larger braided Hopf algebra  $\mathcal{U}_{q,\phi}(\hat{u}(2))$ .

There are several interesting directions to follow in future research. First of all, out of the family of Podleś spheres, only the standard one can be realized as a subalgebra of the braided  $SU_{q,\phi}(2)$  algebra. This, together with the  $q \rightarrow 1$  limit in the generic case, or  $e^{4i\phi}$  being a root of unity, shall be studied in more detail.

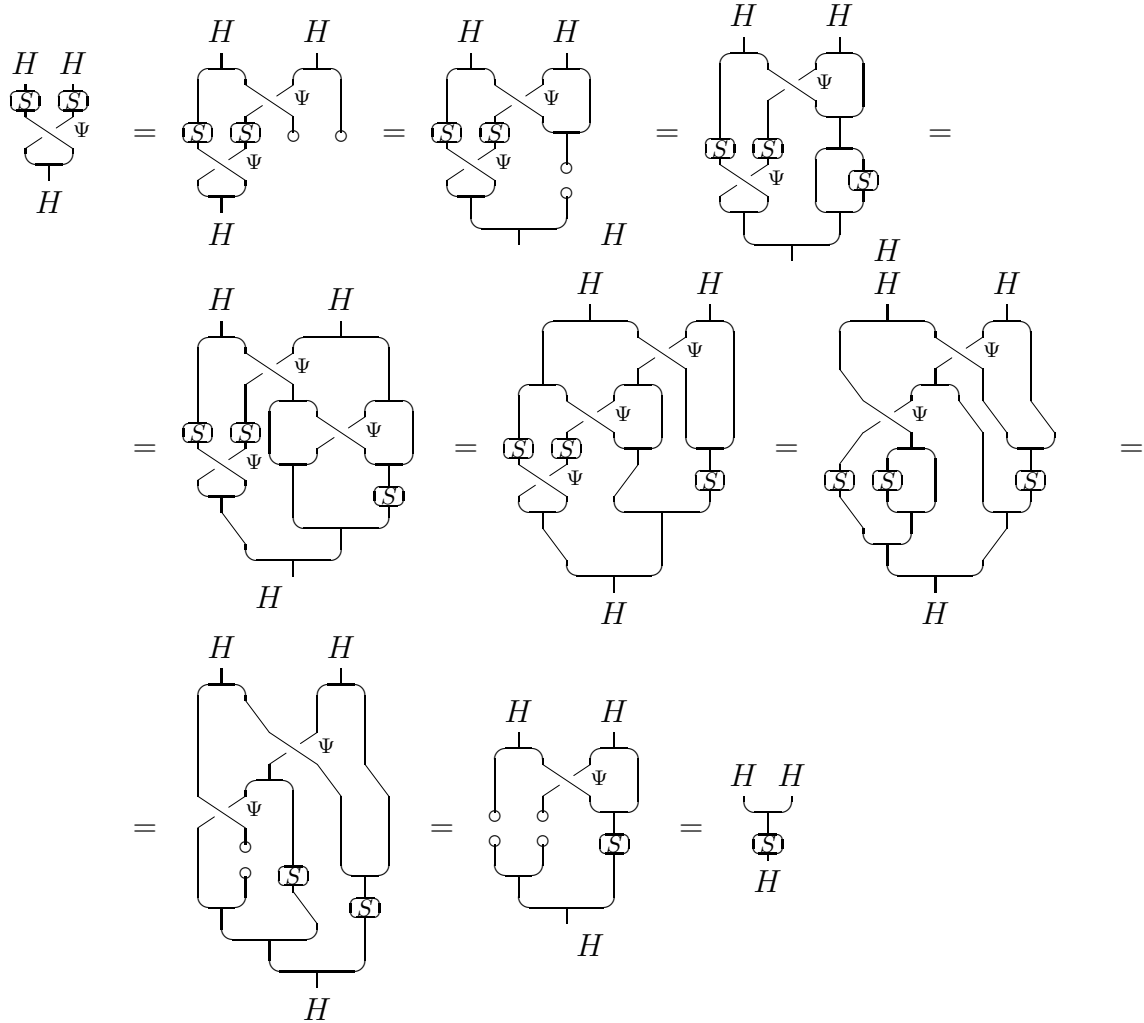
Finally, having a braided analogue of  $\mathcal{U}_q(su(2))$  it is a challenging aim to develop theory of spectral triples for  $SU_{q,\phi}(2)$  in analogy to [3] and for Podleś spheres in braided category in analogy to [5].

APPENDIX A.

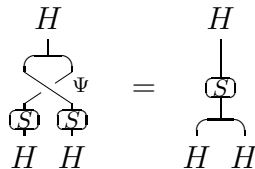
**A.1. Braided Antipode.** In this part of the Appendix we recall the properties of the braided antipode, that we use in our work. For the ordinary Hopf algebra, antipode is an algebra homomorphism from Hopf algebra  $H$  to algebra with reversed multiplication  $H^{op}$ :

$$(A.1) \quad S(gh) = S(h)S(g)$$

Following [8] we generalize this property for the braided Hopf algebra.



By complete analogy we may show the same property for the antipode and the coproduct, denoted as,



**A.2. The classical limit of  $\mathcal{U}_{q,\phi}(\hat{u}(2))$ .** Let us consider the  $q \rightarrow 1$  limit of the algebra given by (3.5). Firstly let us to define  $q$  to be  $e^h$  for  $h < 0$  and by  $H$  and operator such that  $k = \exp(hH)$ . Then, by expanding exponents in first commutation relation in (3.5) one obtains:

$$\begin{aligned} ek &= qe^{-4i\phi}ke \\ e(1 + hH + \dots) &= (1 + h + \dots)e^{-4i\phi}(1 + hH + \dots)e \\ e + h eH + \dots &= e^{-4i\phi}e + he^{-4i\phi}(e + He) + \dots \end{aligned}$$

Comparing the  $0^{th}$  order in  $h$  we come to  $e^{-4i\phi} = 1$ , which is true only  $\phi$  being a multiple of  $\pi/2$ . Thus classical limit  $h \rightarrow 0$  cannot be obtain without involving the limit in phase  $\phi$  as well. Therefore we will redefine  $e^h = qe^{-4i\phi}$ ,  $h = \ln(q) - 4i\phi$ , so limit  $h \rightarrow 0$  correspond to  $q \rightarrow 1$  and  $\phi \rightarrow 0$  simultaneously. Then the above calculations change into:

$$\begin{aligned} ek &= qe^{-4i\phi}ke \\ e(1 + hH + \dots) &= (1 + h + \dots)(1 + hH + \dots)e \\ e + h eH + \dots &= e + h(e + He) + \dots \end{aligned}$$

So in the  $0^{th}$  order we simply get  $e = e$  and the limit  $h \rightarrow 0$  gives  $[e, H] = e$ .

The situation looks even more interesting for the commutator  $[f, e]$ , where up to first order we obtain:

$$(A.2) \quad [f, e] = \left(1 + \frac{\Im(h)}{\Re(h)}\right) H + \left(1 - \frac{\Im(h)}{\Re(h)}\right) H^* .$$

Therefore, the classical limit should be taken as  $h \rightarrow 0$ ,  $\phi/\ln(q) \rightarrow 0$ . Then the commutation relations (3.5) in the limit case are:

$$(A.3) \quad \begin{aligned} [e, H] &= e, & [e, H^*] &= e, & [f, e] &= H + H^*, \\ [f, f] &= f, & [H^*, f] &= f, & [H, H^*] &= 0. \end{aligned}$$

By taking limits for coproduct in the discussed manner one obtains:

$$(A.4) \quad \begin{aligned} \Delta e &= e \otimes 1 + 1 \otimes e, & \Delta f &= f \otimes 1 + 1 \otimes f, \\ \Delta H &= H \otimes 1 + 1 \otimes H, & \Delta H^* &= H^* \otimes 1 + 1 \otimes H^*. \end{aligned}$$

If we assume that  $H$  is hermitian, resulting bialgebra is  $su(2)$  Lie algebra. Otherwise  $H$  may be decomposed into hermitian and antihermitian part  $H = H_h + H_a$  so that obtained bialgebra is  $u(2) = su(2) \oplus u(1)$  with  $su(2)$  generated by  $e, f, H_h$  and  $u(1)$  generated by  $H_a$ .

Note that one would have greater freedom of taking limits  $q \rightarrow 1$  and  $\phi \rightarrow 0$  independently, if one assumes from the beginning that  $k$  and  $k^*$  are both exponents of hermitian operator  $H$ , ie;

$$k = e^{(\log(q)-4i\phi)H} \quad k^* = e^{(\log(q)+4i\phi)H}$$

In that case (A.2) simplify to  $[f, e] = 2H$  without additional requirement  $\phi/\ln(q) \rightarrow 0$  and the limit  $q \rightarrow 1$ ,  $\phi \rightarrow 0$  of algebra  $\mathcal{U}_{q,\phi}(\hat{u}(2))$  simplifies to  $\mathcal{U}(su(2))$ .

**A.3. Left and right action on  $SU_{q,\phi}(2)$ .** The explicit form of left action of  $\mathcal{U}_{q,\phi}(\hat{u}(2))$  on  $SU_{q,\phi}(2)$  on generators are:

$$\begin{aligned}
(A.5) \quad & e \triangleright \alpha = 0, & e \triangleright \alpha^* &= \gamma, \\
& e \triangleright \gamma = 0, & e \triangleright \gamma^* &= -q^{-1} e^{-4i\phi} \alpha, \\
& f \triangleright \alpha = -q e^{4i\phi} \gamma^*, & f \triangleright \alpha^* &= 0, \\
& f \triangleright \gamma = \alpha^*, & f \triangleright \gamma^* &= 0, \\
& k \triangleright \alpha = q^{-\frac{1}{2}} e^{2i\phi} \alpha, & k \triangleright \alpha^* &= q^{\frac{1}{2}} e^{-2i\phi} \alpha^*, \\
& k \triangleright \gamma = q^{-\frac{1}{2}} e^{2i\phi} \gamma, & k \triangleright \gamma^* &= q^{\frac{1}{2}} e^{-2i\phi} \gamma^*, \\
& k^* \triangleright \alpha = q^{-\frac{1}{2}} e^{-2i\phi} \alpha, & k^* \triangleright \alpha^* &= q^{\frac{1}{2}} e^{2i\phi} \alpha^*, \\
& k^* \triangleright \gamma = q^{-\frac{1}{2}} e^{-2i\phi} \gamma, & k^* \triangleright \gamma^* &= q^{\frac{1}{2}} e^{2i\phi} \gamma^*, \\
& k^{-1} \triangleright \alpha = q^{\frac{1}{2}} e^{-2i\phi} \alpha, & k^{-1} \triangleright \alpha^* &= q^{-\frac{1}{2}} e^{2i\phi} \alpha^*, \\
& k^{-1} \triangleright \gamma = q^{\frac{1}{2}} e^{-2i\phi} \gamma, & k^{-1} \triangleright \gamma^* &= q^{-\frac{1}{2}} e^{2i\phi} \gamma^*, \\
& (k^*)^{-1} \triangleright \alpha = q^{\frac{1}{2}} e^{2i\phi} \alpha, & (k^*)^{-1} \triangleright \alpha^* &= q^{-\frac{1}{2}} e^{-2i\phi} \alpha^*, \\
& (k^*)^{-1} \triangleright \gamma = q^{\frac{1}{2}} e^{2i\phi} \gamma, & (k^*)^{-1} \triangleright \gamma^* &= q^{-\frac{1}{2}} e^{-2i\phi} \gamma^*,
\end{aligned}$$

while for the right action, we have,

$$\begin{aligned}
(A.6) \quad & \alpha \triangleleft e = \gamma, & \alpha^* \triangleleft e &= 0, \\
& \gamma \triangleleft e = 0, & \gamma^* \triangleleft e &= -q^{-1} e^{-4i\phi} \alpha^*, \\
& \alpha \triangleleft f = 0, & \alpha^* \triangleleft f &= -q e^{4i\phi} \gamma^*, \\
& \gamma \triangleleft f = \alpha, & \gamma^* \triangleleft f &= 0, \\
& \alpha \triangleleft k = q^{-\frac{1}{2}} e^{2i\phi} \alpha, & \alpha^* \triangleleft k &= q^{\frac{1}{2}} e^{-2i\phi} \alpha^*, \\
& \gamma^* \triangleleft k = q^{-\frac{1}{2}} e^{2i\phi} \gamma^*, & \gamma \triangleleft k &= q^{\frac{1}{2}} e^{-2i\phi} \gamma, \\
& \alpha \triangleleft k^* = q^{-\frac{1}{2}} e^{-2i\phi} \alpha, & \alpha^* \triangleleft k^* &= q^{\frac{1}{2}} e^{2i\phi} \alpha^*, \\
& \gamma^* \triangleleft k^* = q^{-\frac{1}{2}} e^{-2i\phi} \gamma^*, & \gamma \triangleleft k^* &= q^{\frac{1}{2}} e^{2i\phi} \gamma, \\
& \alpha \triangleleft k^{-1} = q^{\frac{1}{2}} e^{-2i\phi} \alpha, & \alpha^* \triangleleft k^{-1} &= q^{-\frac{1}{2}} e^{2i\phi} \alpha^*, \\
& \gamma^* \triangleleft k^{-1} = q^{\frac{1}{2}} e^{-2i\phi} \gamma^*, & \gamma \triangleleft k^{-1} &= q^{-\frac{1}{2}} e^{2i\phi} \gamma, \\
& \alpha \triangleleft (k^*)^{-1} = q^{\frac{1}{2}} e^{2i\phi} \alpha, & \alpha^* \triangleleft (k^*)^{-1} &= q^{-\frac{1}{2}} e^{-2i\phi} \alpha^*, \\
& \gamma^* \triangleleft (k^*)^{-1} = q^{1/2} e^{2i\phi} \gamma^*, & \gamma \triangleleft (k^*)^{-1} &= q^{-\frac{1}{2}} e^{-2i\phi} \gamma.
\end{aligned}$$

**A.4. Podleś spheres representation.** We can rewrite obtained the algebra of the Podleś sphere (4.12) in a slightly different form (used by some authors):

$$(A.7) \quad \begin{aligned} q^2 Ab &= bA, & bB + q^4 A^2 + q^2 A + c &= 0, \\ AB &= q^2 BA, & Bb + A^2 + A + c &= 0. \end{aligned}$$

The  $e_0, e_1, e_{-1}$  generators can be expressed as,

$$(A.8) \quad \begin{aligned} e_0 &= \alpha^{-1}A + (\alpha(1 + q^2))^{-1} \\ e_{-1} &= (1 + q^2)^{-1/2} q^{-1} \rho \alpha^{-1} b \\ e_1 &= -(1 + q^2)^{-1/2} \zeta \alpha^{-1} B. \end{aligned}$$

Then the action of  $\mathcal{U}_{q,\phi}(\hat{u}(2))$  on the generators  $A, B, b$  takes the form:

$$(A.9) \quad \begin{aligned} e \triangleright A &= \frac{1}{q} \frac{1}{\sqrt{q}} \rho b, & e \triangleright b &= 0, \\ e \triangleright B &= -(1 + q^2) \frac{1}{\sqrt{q}} e^{-4i\phi} \rho A + \frac{1}{\sqrt{q}} e^{-4i\phi} \rho, \\ f \triangleright A &= -\frac{1}{\sqrt{q}} \zeta B, & f \triangleright B &= 0, \\ f \triangleright b &= (1 + q^2) \sqrt{q} \zeta e^{-4i\phi} A + \sqrt{q} \zeta e^{-4i\phi}, \end{aligned}$$

and,

$$(A.10) \quad \begin{aligned} k \triangleright A &= A, & k \triangleright b &= q^{-1} e^{4i\phi} b, & k \triangleright B &= q e^{-4i\phi} B, \\ k^* \triangleright A &= A, & k^* \triangleright b &= q^{-1} e^{-4i\phi} b, & k^* \triangleright B &= q e^{4i\phi} B, \end{aligned}$$

where  $\rho \zeta e^{-4i\phi} = 1$  and the relations between constants is

$$(A.11) \quad \begin{aligned} \lambda' &= \frac{1 - q^2}{1 + q^2} \alpha^{-1}, \\ \rho' &= (-cq^{-2} + (1 + q^2)^{-2}) \alpha^{-2}. \end{aligned}$$

The  $*$ -structure in this basis takes a form:

$$B^* = |\zeta|^{-2} b, \quad A^* = A, \quad b^* = |\rho|^{-2} B.$$

**A.5. Star structure.** In this part of the appendix we complete the calculations in the proof of the theorem 5.1, the compatibility between  $*$ -structure and associativity both in Hopf Algebra  $H$  and its left module  $A$ .

In the computation below we frequently use the fact that  $\delta(h \triangleright a) = \delta(h) + \delta(a)$ , which equivalent to the condition (2.4) from definition of covariant braided action for algebras obtained from twisting.

Let us first consider the  $*$ -structure compatibility with associativity in  $H$ , next to the diagram representing the composition of maps we write the occurring phase factors:

$$(hg \triangleright a)^* :$$

This, by definition of  $*$ -structure compatibility, should be equal to:

In the last step the phase in  $e^{2i\phi\delta(h)\delta(g)}$  was changed by a complex conjugation arising from the  $*$  operator. The crossed dotted lines represent a simple transposition (no braiding involved). By comparing the results we see that they are equal to each other if and only if:

$$(A.12) \quad \varphi(\delta(g) + \delta(h), \delta(a)) = \varphi(\delta(h), \delta(g) + \delta(a))\varphi(g, a)e^{2i\phi\delta(h)\delta(g)}$$

Similarly we test the definition of  $*$ -structure compatibility against associativity in  $A$ :

$$[h \triangleright (ab)]^* :$$

$$\begin{aligned}
 \begin{array}{c} H \quad A \quad A \\ | \quad | \quad | \\ \text{---} \quad \text{---} \quad \text{---} \\ \quad \quad \quad \cup \\ \quad \quad \quad | \\ \quad \quad \quad \circledast \\ \quad \quad \quad | \\ \quad \quad \quad A \end{array} &= \begin{array}{c} H \quad A \quad A \\ | \quad | \quad | \\ \text{---} \quad \text{---} \quad \text{---} \\ \quad \quad \quad \cup \\ \quad \quad \quad | \\ \quad \quad \quad \circledast \\ \quad \quad \quad | \\ \quad \quad \quad A \end{array} = \begin{array}{c} H \quad A \quad A \\ | \quad | \quad | \\ \text{---} \quad \text{---} \quad \text{---} \\ \quad \quad \quad \cup \\ \quad \quad \quad | \\ \quad \quad \quad \circledast \\ \quad \quad \quad | \\ \quad \quad \quad A \end{array} \cdot \varphi(\delta(h), \delta(ab)) \\
 &= \begin{array}{c} H \quad A \quad A \\ | \quad | \quad | \\ \text{---} \quad \text{---} \quad \text{---} \\ \quad \quad \quad \cup \\ \quad \quad \quad | \\ \quad \quad \quad \circledast \\ \quad \quad \quad | \\ \quad \quad \quad A \end{array} \cdot \varphi(\delta(h), \delta(a) + \delta(b)) = \begin{array}{c} H \quad A \quad A \\ | \quad | \quad | \\ \text{---} \quad \text{---} \quad \text{---} \\ \quad \quad \quad \cup \\ \quad \quad \quad | \\ \quad \quad \quad \circledast \\ \quad \quad \quad | \\ \quad \quad \quad A \end{array} \cdot \varphi(\delta(h), \delta(a) + \delta(b))
 \end{aligned}$$

But on the other hand, by  $*$ -structure compatibility it should be equal to:

$$\begin{aligned}
 \begin{array}{c} H \quad A \quad A \\ | \quad | \quad | \\ \text{---} \quad \text{---} \quad \text{---} \\ \quad \quad \quad \cup \\ \quad \quad \quad | \\ \quad \quad \quad \circledast \\ \quad \quad \quad | \\ \quad \quad \quad A \end{array} &= \begin{array}{c} H \quad A \quad A \\ | \quad | \quad | \\ \text{---} \quad \text{---} \quad \text{---} \\ \quad \quad \quad \cup \\ \quad \quad \quad | \\ \quad \quad \quad \circledast \\ \quad \quad \quad | \\ \quad \quad \quad A \end{array} = \begin{array}{c} H \quad A \quad A \\ | \quad | \quad | \\ \text{---} \quad \text{---} \quad \text{---} \\ \quad \quad \quad \cup \\ \quad \quad \quad | \\ \quad \quad \quad \circledast \\ \quad \quad \quad | \\ \quad \quad \quad A \end{array} = \begin{array}{c} H \quad A \quad A \\ | \quad | \quad | \\ \text{---} \quad \text{---} \quad \text{---} \\ \quad \quad \quad \cup \\ \quad \quad \quad | \\ \quad \quad \quad \circledast \\ \quad \quad \quad | \\ \quad \quad \quad A \end{array} = \\
 &= \begin{array}{c} H \quad A \quad A \\ | \quad | \quad | \\ \text{---} \quad \text{---} \quad \text{---} \\ \quad \quad \quad \cup \\ \quad \quad \quad | \\ \quad \quad \quad \circledast \\ \quad \quad \quad | \\ \quad \quad \quad A \end{array} \cdot \varphi(S(h_{(1)}), a) \varphi(S(h_{(2)}), b) = \begin{array}{c} H \quad A \quad A \\ | \quad | \quad | \\ \text{---} \quad \text{---} \quad \text{---} \\ \quad \quad \quad \cup \\ \quad \quad \quad | \\ \quad \quad \quad \circledast \\ \quad \quad \quad | \\ \quad \quad \quad A \end{array} \cdot \varphi(S(h_{(1)}), a) \varphi(S(h_{(2)}), b) = \\
 &= \begin{array}{c} H \quad A \quad A \\ | \quad | \quad | \\ \text{---} \quad \text{---} \quad \text{---} \\ \quad \quad \quad \cup \\ \quad \quad \quad | \\ \quad \quad \quad \circledast \\ \quad \quad \quad | \\ \quad \quad \quad A \end{array} \cdot \varphi(S(h_{(1)}), a) \varphi(S(h_{(2)}), b) = \begin{array}{c} H \quad A \quad A \\ | \quad | \quad | \\ \text{---} \quad \text{---} \quad \text{---} \\ \quad \quad \quad \cup \\ \quad \quad \quad | \\ \quad \quad \quad \circledast \\ \quad \quad \quad | \\ \quad \quad \quad A \end{array} \cdot e^{-2i\phi\delta(S(h_{(2)}))\delta(S(h_{(1)}))} \\
 &\quad \cdot \varphi(S(h_{(1)}), a) \varphi(S(h_{(2)}), b) \cdot e^{2i\phi\delta(S(h_{(2)}))\delta(a)} =
 \end{aligned}$$





## REFERENCES

- [1] A. Bochniak, A. Sitarz, Braided Hopf algebras from twisting, Journal of Algebra and Its Applications 18(9), (2018)
- [2] V.Chari, A.Pressley, A Guide to Quantum Groups, Cambridge University Press, Cambridge (1994)
- [3] L. Dabrowski, G. Landi, A. Sitarz, W. Suijlekom, J. Varilly, The Dirac operator on  $SU_q(2)$ , Comm. Math. Phys., 259: 729–759 (2005)
- [4] L. Dabrowski, A. Sitarz, Dirac operator on the standard Podleś quantum sphere, Banach Center Publications 61 (2003), 49-58
- [5] L. Dabrowski, F. D’Andrea, G. Landi, E. Wagner, Dirac operators on all Podles quantum spheres, Journal of Noncommutative Geometry, 1(2): 213–239 (2007)
- [6] P. Kasprzak, R. Meyer, R. Sutanu, S. Woronowicz, Braided Quantum  $SU(2)$  Groups, Journal of Noncommutative Geometry, 10(4): 1611–1625, (2016)
- [7] A. Klimyk, K. Schmüdgen, Quantum Groups and Their Representation, Springer-Verlag, Berlin Heidelberg (1997)
- [8] S. Majid, Introduction to braided geometry and  $q$ -Minkowski space, in: Proceedings of the School on Quantum Groups, Varenna, 1994
- [9] S. Majid, Foundations of quantum group theory, Cambridge University Press, Cambridge (1995)
- [10] P. Podleś, Quantum spheres, Lett. Math. Phys., 14(3): 193–202, (1987)
- [11] N.Reshetikhin, Quasitriangularity of Quantum Groups at Roots of 1, Comm. Math. Phys., 170: 79–99 (1995)
- [12] P. Sołtan, Podleś Spheres for the Braided Quantum  $SU(2)$ , Linear Algebra and its Applications, 591: 169-204, (2020)

INSTITUTE OF THEORETICAL PHYSICS, JAGIELLONIAN UNIVERSITY,  
PROF. STANISŁAWA ŁOJASIEWICZA 11, 30-348 KRAKÓW, POLAND.