

# Building Chinese Biomedical Language Models via Multi-Level Text Discrimination

Quan Wang<sup>1†\*</sup>, Songtai Dai<sup>1†</sup>, Benfeng Xu<sup>2†‡</sup>, Yajuan Lyu<sup>1</sup>  
Yong Zhu<sup>1</sup>, Hua Wu<sup>1</sup>, Haifeng Wang<sup>1</sup>

<sup>1</sup>Baidu Inc., Beijing, China

<sup>2</sup>University of Science and Technology of China, Hefei, China

## Abstract

Pre-trained language models (PLMs), such as BERT and GPT, have revolutionized the field of NLP, not only in the general domain but also in the biomedical domain. Most prior efforts in building biomedical PLMs have resorted simply to domain adaptation and focused mainly on English. In this work we introduce eHealth, a biomedical PLM in Chinese built with a new pre-training framework. This new framework trains eHealth as a discriminator through both token-level and sequence-level discrimination. The former is to detect input tokens corrupted by a generator and select their original signals from plausible candidates, while the latter is to further distinguish corruptions of a same original sequence from those of the others. As such, eHealth can learn language semantics at both the token and sequence levels. Extensive experiments on 11 Chinese biomedical language understanding tasks of various forms verify the effectiveness and superiority of our approach. The pre-trained model is available to the public,<sup>1</sup> and the code will also be released later.

## 1 Introduction

Pre-trained language models (PLMs) such as BERT (Devlin et al., 2019) and its variants (Yang et al., 2019; Liu et al., 2019) have revolutionized the field of NLP, establishing new state-of-the-art on conventional language understanding and generation tasks. Following the great success in the general domain, researchers have started to investigate building domain-specific PLMs in highly specialized domains, e.g., science (Beltagy et al., 2019), law (Chalkidis et al., 2020), or finance (Liu et al., 2020). Biomedicine and healthcare, as a field with large, rapidly growing volume of free text and continually

increasing demand for text mining, has received massive attention and achieved rapid progress.

Biomedical PLMs are typically built by adapting BERT or its follow-ups to the biomedical domain, as exemplified by BioBERT (Lee et al., 2020), PubMedBERT (Gu et al., 2020), and BioELECTRA (Kanakarajan et al., 2021). The domain adaptation is achieved via either *continual pre-training* on in-domain text (Gururangan et al., 2020; Alsentzer et al., 2019), or *pre-training from scratch* further with in-domain vocabulary (Gu et al., 2020; Lewis et al., 2020b). Most existing biomedical PLMs are in English, and there is still a lack of publicly available, high-quality biomedical PLMs in Chinese.

PCL-MedBERT and MC-BERT (Zhang et al., 2020) are the initial attempts that continually pre-trains a general-domain Chinese BERT on biomedical text. But unfortunately they fail to achieve universal improvements in Chinese biomedical text understanding over the general-domain BERT (Zhang et al., 2021a). SMedBERT (Zhang et al., 2021b) and EMBERT (Cai et al., 2021) are recently proposed knowledge-enhanced Chinese biomedical PLMs. These two models, however, rely on extra (and often private) knowledge and have not been released to the public yet.

In this paper we present **eHealth**, a Chinese language representation model pre-trained over large-scale biomedical corpora. Unlike previous studies that directly resort to domain adaptation, we build eHealth with a new self-supervised learning framework, which, similar to ELECTRA (Clark et al., 2020), consists of a discriminator and a generator. The generator is to produce corrupted input, and the discriminator, as the final target encoder, is trained via multi-level text discrimination. Specifically, we exploit (i) *token-level discrimination* that discriminates corrupted tokens from original ones, and (ii) *sequence-level discrimination* that further discriminates corruptions of a single original sequence from those of the others in a contrastive learning fashion

\*Correspondence to wangquan05@baidu.com.

†Contributed equally to this work.

‡Work done during internship at Baidu Inc.

<sup>1</sup><https://github.com/PaddlePaddle/Research/tree/master/KG/eHealth>

(Chen et al., 2020). This multi-level discrimination enables eHealth to learn language semantics at both the token and sequence levels. Our eHealth model relies solely on the text itself, requires no external knowledge, and thus could be applied rather easily during fine-tuning.

We evaluate eHealth on 11 diversified Chinese biomedical language understanding tasks, including (i) the 8 tasks of text classification and matching, medical information extraction, and medical term normalization from the CBLUE benchmark (Zhang et al., 2021a), and (ii) another 3 medical question answering tasks cMedQNLI (Zhang et al., 2020), webMedQA (He et al., 2019), and NLPEC (Li et al., 2020). Experimental results reveal that eHealth, as a standard base-sized model pre-trained from scratch on biomedical corpora, consistently outperforms state-of-the-art base-sized PLMs from both the general and biomedical domains, competing or even surpassing the current best performance achieved by much heavier large-sized models.

The main contributions of this work are two-fold. Firstly, we propose eHealth, a Chinese biomedical PLM consistently outperforming previous state-of-the-art of the same model size. We release eHealth to the public. As the model relies solely on text, it could be applied rather easily during fine-tuning. Secondly, we devise a new algorithm for language model pre-training and verify its effectiveness in the biomedical domain. This pre-training algorithm is quite generic and may be readily adapted to other domains beyond biomedicine. We leave such exploration open to future work.

## 2 Background

Before diving into the details of our approach, we briefly discuss related studies on building PLMs in general and biomedical domains.

**General Domain PLMs.** Recent years have seen remarkable success of PLMs in the field of NLP. These PLMs are typically built with self-supervised learning over massive unlabeled text in the general domain, *e.g.*, Wikipedia, newswire, or Web articles (Radford et al., 2018). *Masked language modeling* (MLM), which trains a model to recover the identities of a small subset of masked-out tokens (typically 15%), is the most prevailing self-supervised objective, first introduced in BERT (Devlin et al., 2019) and then widely adopted by follow-up studies (Liu et al., 2019; Lan et al., 2020; Joshi et al., 2020; Sun et al., 2020). Despite their effectiveness

and popularity, MLM-based approaches can only learn from those 15% masked-out tokens per input, and therefore incur high compute costs.

To address this low efficiency issue, ELECTRA (Clark et al., 2020) uses a new pre-training framework. Specifically, it corrupts an input sequence by replacing some tokens with plausible alternatives sampled from an auxiliary generator, and trains a target discriminator to predict whether each token is replaced or not, *i.e.*, *replaced token detection* (RTD). As the discriminator can learn from all input tokens rather than just 15% of them, ELECTRA enjoys better efficiency and accelerates training.

While achieving empirical success, there are concerns about whether the over-simplified RTD task of ELECTRA, as a binary classification problem, is informative enough for language modeling (Aroca-Ouellette and Rudzicz, 2020). Xu et al. (2020) thus proposed replacing RTD with *multi-token selection* (MTS), which selects original tokens from plausible candidates. This new task could be viewed as a generalization of RTD while a simplification of MLM. Shen et al. (2021) later investigated training MWS together with RTD in a multi-task fashion.

Another limitation of ELECTRA is that it is pre-trained solely at the token level but lacks semantics at the sequence level. Incorporating sequence level signals, *e.g.*, next sentence prediction (Devlin et al., 2019), sentence order prediction (Lan et al., 2020), and sentence contrastive learning (Fang et al., 2020; Meng et al., 2021), has been widely studied in the community and shown to be beneficial in specific tasks (Lewis et al., 2020a; Guu et al., 2020).

**Biomedical PLMs.** Continual pre-training is perhaps the most straightforward way to build biomedical PLMs, in which the model weights are initialized from a well-trained general-domain model and the same vocabulary is used (Alsentzer et al., 2019; Lee et al., 2020). Also, there are findings showing that pre-training from scratch using domain specific data along with domain specific vocabulary would bring further improvements, particularly in English (Gu et al., 2020; Lewis et al., 2020b). Early attempts focused on adapting BERT, while recent studies have switched to its modern variants like RoBERTa, ALBERT, and ELECTRA (Kanakarajan et al., 2021; Alrowili and Shanker, 2021).

While great efforts have been made to build English biomedical PLMs, there is only a few studies discussing building biomedical PLMs in Chinese, *e.g.*, the continually pre-trained MC-BERT (Zhang

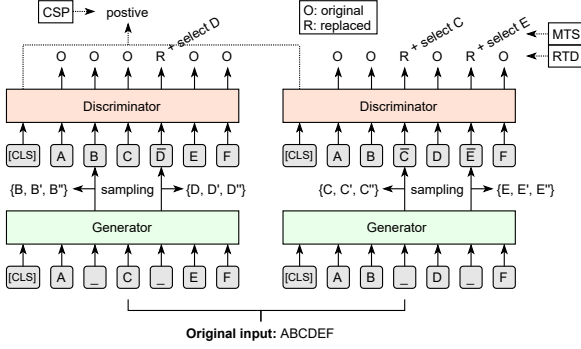


Figure 1: Overview of eHealth. Each input sequence is corrupted twice independently by the generator. These two corruptions are fed into the discriminator for token-level discrimination, *i.e.*, RTD and MTS, and they also form a positive pair for sequence-level discrimination, *i.e.*, contrastive sequence prediction (CSP).

et al., 2020) and knowledge-enhanced SMedBERT (Zhang et al., 2021b) or EMBERT (Cai et al., 2021). The knowledge-enhanced models require external biomedical knowledge during both pre-training and fine-tuning. As such knowledge is often private and not available to the public, these models are not that easy to be applied to downstream tasks.

### 3 Methodology

This section presents eHealth, a Chinese language model pre-trained from biomedical text. It in general follows the generator-discriminator framework of ELECTRA, where the generator  $G$  is introduced to construct pre-training signals and the discriminator  $D$  is used as the final target encoder. But unlike ELECTRA that merely adopts a token-level binary classification to train the discriminator, we train it with (i) a more informative token-level discrimination, and (ii) another sequence-level discrimination. The overview of eHealth is illustrated in Figure 1.

#### 3.1 Generator

The generator  $G$  is a Transformer encoder (Vaswani et al., 2017) trained by *masked language modeling* (MLM). Given an input sequence  $\mathbf{x} = [x_1, \dots, x_n]$ , it first selects a random set of positions to mask out and replaces tokens at these positions with a special symbol [MASK].<sup>2</sup> This masked sequence, denoted as  $\mathbf{x}^M$ , is then passed into the Transformer encoder to produce contextualized representations  $h_G(\mathbf{x}^M)$ , and thereafter a softmax layer to predict

<sup>2</sup>Typically 15% of the tokens are masked out, among which 80% are replaced with [MASK], 10% replaced with a random token, and 10% kept unchanged.

the original identities of those masked-out tokens:

$$p_G(x_t|\mathbf{x}^M) = \frac{\exp(e(x_t)^T h_G(\mathbf{x}^M)_t)}{\sum_{x' \in V} \exp(e(x')^T h_G(\mathbf{x}^M)_t)}. \quad (1)$$

Here,  $p_G(x_t|\mathbf{x}^M)$  is the probability that  $G$  predicts token  $x_t$  appears at the  $t$ -th masked position in  $\mathbf{x}^M$ ,  $h_G(\mathbf{x}^M)_t$  the contextualized representation for that position,  $e(\cdot)$  the embedding lookup operation on each token, and  $V$  the vocabulary of all tokens. The corresponding loss function is:

$$\mathcal{L}_{\text{MLM}}(\mathbf{x}, \mathbf{x}^M; G) = \sum_{t: x_t^M = [\text{MASK}]} -\log p_G(x_t|\mathbf{x}^M), \quad (2)$$

where the summation is taken only over the masked positions. The generator is used to construct pre-training signals for the discriminator, and will be discarded after pre-training.

#### 3.2 Discriminator

The discriminator  $D$ , as our final target encoder, is also a Transformer architecture. It takes as input corrupted sequences constructed by the generator, and is trained through two-level text discrimination, *i.e.*, token-level and sequence-level, so as to encode language semantics at the both.

**Token-Level Discrimination.** We consider two token-level tasks: *replaced token detection* (RTD) and *multi-token selection* (MTS). RTD is the standard pre-training task of ELECTRA, which detects replaced tokens in a corrupted sequence, and MTS further selects original identities for those replaced tokens. Specifically, given input sequence  $\mathbf{x}$  and its masked version  $\mathbf{x}^M$ , for each masked position  $t$ , we sample a token from the generator’s prediction  $\hat{x}_t \sim p_G(x_t|\mathbf{x}^M)$  (cf. Eq. (1)), replace the original token  $x_t$  with  $\hat{x}_t$ , and create a corrupted sequence  $\mathbf{x}^R$ . We also create a set of candidate tokens, denoted as  $S_t$ , for each masked position  $t$ , by drawing  $k$  non-original tokens from  $p_G(x_t|\mathbf{x}^M)$  along with the original token  $x_t$ . The discriminator  $D$  encodes the corrupted sequence  $\mathbf{x}^R$  and produces contextualized representations  $h_D(\mathbf{x}^R)$ .

RTD learns to discriminate whether each token in  $\mathbf{x}^R$  is original or replaced, *i.e.*, coming from the true data distribution or the generator distribution. It uses a sigmoid layer on top of  $h_D(\mathbf{x}^R)$  to perform this binary classification, where the probability that  $x_t^R$  matches the original token  $x_t$  is determined as:

$$p_D(x_t^R = x_t) = \frac{1}{1 + \exp(-\mathbf{w}^T h_D(\mathbf{x}^R)_t)}, \quad (3)$$

and the corresponding loss function is:

$$\mathcal{L}_{\text{RTD}}(\mathbf{x}, \mathbf{x}^R; D) = \sum_{t=1}^n \left[ -\mathbb{1}(x_t^R = x_t) \log p_D(x_t^R = x_t) - \mathbb{1}(x_t^R \neq x_t) \log(1 - p_D(x_t^R = x_t)) \right]. \quad (4)$$

As RTD is merely a binary classification task, there are doubts about whether it is informative enough for language modeling (Aroca-Ouellette and Rudzicz, 2020; Xu et al., 2020; Shen et al., 2021).

MTS strengthens RTD by training the discriminator to further recover original identities of those replaced tokens, rather than just detection of them. For each position  $t$  where the token is replaced, *i.e.*,  $x_t^R \neq x_t$ , MTS corrects the token and recovers its original identity using the given candidates  $S_t$ . The probability of picking the original token  $x_t$  out of the candidate set  $S_t$  for the correction is:

$$p_D(x_t | \mathbf{x}^R, S_t) = \frac{\exp(e(x_t)^T h_D(\mathbf{x}^R)_t)}{\sum_{x' \in S_t} \exp(e(x')^T h_D(\mathbf{x}^R)_t)}, \quad (5)$$

where  $h_D(\mathbf{x}^R)_t$  is the contextualized representation for position  $t$ , and  $e(\cdot)$  the embedding lookup operation. The loss function is defined as:

$$\mathcal{L}_{\text{MTS}}(\mathbf{x}, \mathbf{x}^R, \mathcal{S}; D) = \sum_{t: x_t^R \neq x_t} -\log p_D(x_t | \mathbf{x}^R, S_t), \quad (6)$$

where  $\mathcal{S} = \{S_t\}_{t: x_t^R \neq x_t}$  is a collection of candidate sets at all positions with replaced tokens, and the summation is taken only over these positions. MTS, as essentially a  $(k+1)$ -class classification problem, is more challenging than RTD and hence pushes the model to learn representations that encode richer semantic information (Shen et al., 2021).

**Sequence-Level Discrimination.** Besides token-level tasks, we consider a sequence-level task in addition, *i.e.*, *contrastive sequence prediction* (CSP) which learns to discriminate corruptions of a single original sequence from those of others. CSP follows the traditional contrastive learning framework (Chen et al., 2020). Specifically, for each original input sequence we create two corrupted versions, each by independently picking some random positions to mask out and filling the masked positions with samples from the generator, just like how we do in token-level discrimination as described above. The two corruptions of a same original sequence  $\mathbf{x}$ , denoted as  $\mathbf{x}_i^R$  and  $\mathbf{x}_j^R$ , are taken as a positive pair, and corruptions of other sequences within the same minibatch as  $\mathbf{x}$  are regarded as negative examples, the set of which is denoted as  $N(\mathbf{x})$ . The CSP task

is then to identify  $\mathbf{x}_j^R$  in  $N(\mathbf{x})$  for a given  $\mathbf{x}_i^R$ , and the contrastive loss is accordingly defined as:

$$\mathcal{L}_{\text{CSP}}(\mathbf{x}, \mathbf{x}_i^R, \mathbf{x}_j^R; D) = -\log \frac{\exp(s(\mathbf{x}_i^R, \mathbf{x}_j^R)/\tau)}{\sum_{\mathbf{x}_k^R \in N(\mathbf{x})} \exp(s(\mathbf{x}_i^R, \mathbf{x}_k^R)/\tau)}, \quad (7)$$

where  $s(\cdot, \cdot)$  is the similarity measure between two sequences and  $\tau$  is a temperature hyperparameter. We represent each sequence by the  $\ell_2$ -normalized representation of its [CLS] token, *i.e.*,  $\mu_D(\cdot) = h_D(\cdot)_1 / \|h_D(\cdot)_1\|$  where  $h_D(\cdot)_1$  stands for the representation of the first token in a sequence output by the discriminator  $D$ , and determine the similarity as  $s(\mathbf{u}, \mathbf{v}) = \mu_D(\mathbf{u})^T \mu_D(\mathbf{v})$ . This contrastive learning task requires  $\mathbf{x}_i^R$  and  $\mathbf{x}_j^R$  to stay close to each other while away from other corrupted sequences in the same minibatch, and therefore encourages the discriminator to learn representations invariant to token-level alterations. A similar task has been considered recently by Meng et al. (2021) to help build general-domain PLMs, but it uses a different data transformation procedure to generate positive pairs by random cropping, resulting in asymmetric encoding of sequence pairs.

### 3.3 Model Training

Putting the generator and discriminator as well as their associated tasks together, we train eHealth by minimizing the following combined loss:

$$\min_{G, D} \mathcal{L}_{\text{MLM}} + \lambda_1 \mathcal{L}_{\text{RTD}} + \lambda_2 \mathcal{L}_{\text{MTS}} + \lambda_3 \mathcal{L}_{\text{CSP}}. \quad (8)$$

The first term is a generator loss, and the latter three are discriminator losses which are not propagated through the generator.  $\lambda_1, \lambda_2, \lambda_3$  are hyperparameters balancing these loss terms. We use the Adam stochastic optimizer (Kingma and Ba, 2014) with linear learning rate warmup and decay. After pre-training, we throw out the generator and fine-tune only the discriminator on downstream tasks, as suggested by ELECTRA.

## 4 Experiments

This section first describes our experimental setups for pre-training and fine-tuning, and then presents evaluation results and further ablation.

### 4.1 Pre-training Setups

**Pre-training Data.** We use four Chinese datasets for pre-training: (i) *Dialogues* consisting of about 100 million de-identified doctor-patient dialogues

Corpus	Size	# Tokens	Sub-domain
Dialogues	94.6GB	31.1B	consumer health
Articles	11.2GB	3.5B	consumer health
EMRs	16.0GB	4.5B	clinical
Textbooks	5.1GB	1.6B	scientific
Total	126.9GB	40.7B	N/A

Table 1: Corpora used for eHealth pre-training.

from online healthcare services; (ii) *Articles* consisting of about 6.5 million popular scientific articles on medicine and healthcare oriented to the general public; (iii) *EMRs* consisting of about 6.5 million de-identified electronic medical records from specific hospitals; and (iv) *Textbooks* consisting of about 1,500 electronic textbooks on medicine and clinical pathology. The contents of these datasets are quite diversified, covering most aspects of biomedicine, namely scientific, clinical, and consumer health (Jin et al., 2021). After collecting raw text, we conduct minimum pre-processing of deduplication and denoising on each of the four datasets. We then tokenize the text using a newly built in-domain vocabulary (detailed later). Sequences longer than 512 tokens are segmented into shorter chunks according to sentence boundaries, and those shorter than 32 tokens are discarded. Table 1 summarizes the datasets used for pre-training.

**In-domain Vocabulary.** Previous studies have revealed that pre-training from scratch with an in-domain vocabulary is beneficial for building English biomedical PLMs, primarily because the in-domain vocabulary can better handle highly specialized biomedical terms (Gu et al., 2020). We follow this suggestion and train eHealth *from scratch* with its own in-domain vocabulary built from biomedical text. To do so, we randomly sample 1M documents from the pre-training data, convert all characters to lowercase, normalize special Unicodes like half-width characters or enclosed alphanumerics, and split Chinese characters, digits, and emoji Unicodes. Then we use the open-source implementation from the Tensor2Tensor library<sup>3</sup> to create a WordPiece vocabulary (Wu et al., 2016) in biomedical domain. We discard tokens appearing less 5 times and keep the vocabulary of size to about 20K tokens, which is similar to the general-domain Chinese BERT. Table 2 compares tokenization results obtained by (i) the original vocabulary of standard

<sup>3</sup><https://github.com/tensorflow/tensor2tensor>

免疫组化IHC测定TSHR阳性 (Positive expression of TSHR by immunohistochemistry (IHC)) BERT: 免, 疫, 组, 化, <b>i</b> , <b>##hc</b> , 测, 定, <b>ts</b> , <b>##hr</b> , 阳, 性 eHealth: 免, 疫, 组, 化, <b>ihc</b> , 测, 定, <b>tshr</b> , 阳, 性
ECOG评分4分者 (Those with ECOG score of 4) BERT: <b>eco</b> , <b>##g</b> , 评, 分, 4, 分, 者 eHealth: <b>ecog</b> , 评, 分, 4, 分, 者
但不包括HIV/AIDS (But excluding HIV/AIDS) BERT: 但, 不, 包, 括, hiv, /, <b>ai</b> , <b>##ds</b> eHealth: 但, 不, 包, 括, hiv, /, <b>aids</b>
胸部增强CT及头颅MRI (Enhanced chest CT & skull MRI) BERT: 胸, 部, 增, 强, ct, 及, 头, 颅, <b>mr</b> , <b>##i</b> eHealth: 胸, 部, 增, 强, ct, 及, 头, 颅, <b>mri</b>

Table 2: Comparison of tokenization results obtained by BERT and eHealth. Differences highlighted in bold.

BERT and (ii) our newly built in-domain vocabulary. We can see that as both the two vocabularies are mainly based on single Chinese characters, the differences between them are not that significant as in English. But still the in-domain vocabulary works pretty better on abbreviations of specialized biomedical terms, including not only those rare ones like IHC (immunohistochemistry) and TSHR (thyroid stimulating hormone receptor), but also those relatively popular ones like AIDS (acquired immune deficiency syndrome) and MRI (magnetic resonance imaging).

**Pre-training Configurations.** We train eHealth with the standard *base-size* configuration, just like most previous biomedical PLMs. The discriminator gets 12 Transformer layers, each with 12 attention heads, 768 hidden size, and 3072 intermediate size. And we follow Clark et al. (2020) to set the generator 1/3 the size of the discriminator and tie their token and positional embeddings. To generate masked positions, we perform Chinese word segmentation and use the whole word masking strategy (Cui et al., 2020) which has been proven beneficial for MLM. We also use dynamic masking with the masked positions decided on-the-fly. We mostly use the same hyperparameters as ELECTRA and do not conduct hyperparameter tuning during pre-training. For newly introduced hyperparameters, we set the loss balancing terms  $\lambda_1 = 50$ ,  $\lambda_2 = 20$ ,  $\lambda_3 = 1$  (cf. Eq. (8)), the number of sampled non-original tokens  $k = 5$  (cf. Eq. (5)), and temperature  $\tau = 0.07$  (cf. Eq. (7)). We train with a batch size of 256 and maximum sequence length of 512 for 1M steps. The full set of pre-training hyperparameters is listed in Appendix A.

Dataset	Task	Train	Dev	Test	Metric
CMEE	Named Entity Recognition	15,000	5,000	3,000	Micro-F1
CMIE	Relation Extraction	14,339	3,585	4,482	Micro-F1
CHIP-CDN	Clinical Term Normalization	6,000	2,000	10,192	Micro-F1
CHIP-CTC	Sentence Classification	22,962	7,682	10,000	Macro-F1
KUAKE-QIC	Sentence Classification	6,931	1,955	1,994	Accuracy
CHIP-STC	Sentence Pair Matching	16,000	4,000	10,000	Macro-F1
KUAKE-QTR	Sentence Pair Matching	24,174	2,913	5,465	Accuracy
KUAKE-QQR	Sentence Pair Matching	15,000	1,600	1,596	Accuracy
cMedQNL (Zhang et al., 2020)	Question Answer Matching	80,950	9,065	9,969	Micro-F1
webMedQA (He et al., 2019)	Question Answer Matching	252,850	31,605	31,655	Precision@1
NLPEC (Li et al., 2020)	Multiple Choice	18,117	2,500	550	Accuracy

Table 3: Downstream tasks used for evaluation. Tasks in the first group are from CBLUE (Zhang et al., 2021a).

## 4.2 Evaluation Setups

**Downstream Tasks.** We evaluate on the Chinese Biomedical Language Understanding Evaluation (CBLUE) benchmark (Zhang et al., 2021a), which is composed of 8 diversified biomedical NLP tasks, ranging from medical text classification and matching to medical information extraction and medical term normalization. We further consider three medical question answering tasks, namely *cMedQNL* (Zhang et al., 2020), *webMedQA* (He et al., 2019), and *NLPEC* (Li et al., 2020). The former two are formalized as question-answer matching problems, and the last one a multiple choice problem. Table 3 summarizes the train, dev, test split and metric used for each task. We refer readers to Appendix C and D for further details.

**Baseline Models.** We compare eHealth against state-of-the-art general-domain Chinese PLMs of: (i) *BERT-base* (Devlin et al., 2019); (ii) *ELECTRA-base/large* (Clark et al., 2020); (iii) *RoBERTa-wwm-ext-base/large* (Liu et al., 2019) trained with the whole word masking strategy; and (iv) *MacBERT-base/large* (Cui et al., 2020) trained by a corrective language modeling task to mitigate discrepancy between pre-training and fine-tuning. BERT-base is officially released by Google,<sup>4</sup> and the other models are released by Cui et al. (2020).<sup>5</sup> Besides, we make comparison to two publicly available Chinese biomedical PLMs including: (v) *PCL-MedBERT*,<sup>6</sup> and (vi) *MC-BERT* (Zhang et al., 2020),<sup>7</sup> both built by continually pre-training Google’s BERT-base.

<sup>4</sup><https://github.com/google-research/bert>

<sup>5</sup><https://github.com/ymcui/MacBERT>

<sup>6</sup><https://code.ihub.org.cn/projects/1775>

<sup>7</sup><https://github.com/alibaba-research/ChineseBLUE>

Other biomedical PLMs that are not released to the public are excluded from comparison.

**Fine-tuning Configurations.** During fine-tuning, we build a lightweight task-specific head on top of the pre-trained encoders for each task. The specific design of these heads is elaborated in Appendix E. For each PLM on each task, we tune the batch size, learning rate, and training epochs in their respective ranges, and determine the optimal setting according to dev performance averaged over three runs with different seeds. The other hyperparameters are set to their default values as in ELECTRA (Clark et al., 2020). The full set of fine-tuning hyperparameters is listed in Appendix B.

## 4.3 Main Results

Table 4 reports the performance of different PLMs on CBLUE test sets. The test labels are not released. One has to submit his predictions to retrieve final test scores. As frequent submissions to probe the unseen test labels are not encouraged, we only submit the best single run on dev sets for testing. The results show that: (i) The two previous biomedical PLMs, MC-BERT and PCL-MedBERT, indeed perform better than general-domain BERT-base from which they started continual pre-training, verifying the effectiveness of domain adaptation in building domain-specific language models. However, these two biomedical PLMs fail to surpass some more advanced general-domain PLMs, *e.g.*, MacBERT, of the same model size. (ii) As the model size increases, general-domain large-sized PLMs perform better than those base-sized, *e.g.*, ELECTRA-large, MacBERT-large, and RoBERTa-wwm-ext-large obtain averaged improvements of 0.5%, 0.9%, and 1.4% respectively over their base-sized models. (iii) eHealth, as a standard base-sized model pre-trained from scratch on biomedical text, outperforms all

Model	CMeEE	CMeIE	CDN	CTC	STS	QIC	QTR	QQR	Avg.
<i>General-domain base-sized models</i>									
BERT-base	66.5	60.6	69.7	68.6	84.7	85.2	59.2	82.5	72.1
ELECTRA-base	65.1	60.4	69.9	67.7	84.4	85.2	61.8	84.0	72.3
MacBERT-base	66.8	61.5	69.7	69.1	84.4	86.0	61.0	83.5	72.7
RoBERTa-wwm-ext-base	66.7	61.4	69.3	68.3	84.2	86.0	60.9	82.7	72.4
<i>General-domain large-sized models</i>									
ELECTRA-large	66.1	59.3	70.8	68.9	85.1	84.1	62.0	85.7	72.8
MacBERT-large	<u>67.6</u>	<u>62.2</u>	<u>70.9</u>	69.7	<u>86.5</u>	85.7	<u>62.5</u>	83.5	73.6
RoBERTa-wwm-ext-large	67.3	<u>62.2</u>	70.6	<u>70.6</u>	85.4	<u>86.7</u>	61.7	<u>86.1</u>	<u>73.8</u>
<i>Biomedical base-sized models</i>									
MC-BERT-base	66.6	60.7	70.1	69.1	85.4	85.3	61.6	82.3	72.6
PCL-MedBERT-base	66.6	60.8	69.9	70.4	84.8	85.3	60.2	83.3	72.7
eHealth-base	<b>67.0</b>	<b>61.6</b>	<b>71.2</b>	<b>70.5</b>	<b>86.2</b>	<b>87.4</b>	<b>63.5</b>	<b>85.5</b>	<b>74.1</b>

Table 4: Performance (%) of different PLMs on CBLUE test sets. Results generated by the single best run on dev sets. Best scores from **base-sized** models highlighted in bold, and best scores from large-sized models underlined.

Model	cMedQNLI	webMedQA	NLPEC
	dev   test	dev   test	dev   test
<i>General-domain base-sized models</i>			
BERT-base	96.4   96.4	79.0   79.2	66.0   50.9
ELECTRA-base	96.0   95.9	79.1   79.1	68.2   53.8
MacBERT-base	96.3   96.2	79.3   79.5	67.3   53.6
RoBERTa-base	96.2   96.2	79.0   79.5	67.7   51.3
<i>General-domain large-sized models</i>			
ELECTRA-large	<u>96.4</u>   <u>96.2</u>	<u>78.8</u>   <u>79.9</u>	67.4   <u>54.5</u>
MacBERT-large	96.3   <u>96.3</u>	78.7   78.9	69.2   54.3
RoBERTa-large	96.3   96.2	<u>78.8</u>   79.2	<u>70.1</u>   54.3
<i>Biomedical base-sized models</i>			
MC-BERT-base	96.4   96.5	79.2   79.8	65.6   52.2
PCL-MedBERT-base	96.3   96.2	78.6   79.1	63.9   49.8
eHealth-base	<b>97.3</b>   <b>97.0</b>	<b>80.0</b>   <b>80.5</b>	<b>70.4</b>   <b>60.4</b>

Table 5: Performance (%) of different PLMs on medical QA tasks. RoBERTa-base/large refers to RoBERTa-wwm-ext-base/large for brevity. Results averaged over the best three runs on dev set of each task. Best scores from **base-sized** models highlighted in bold, and best scores from large-sized models underlined.

those general-domain and biomedical PLMs of the same model size. In most cases, it competes with or even surpasses those much heavier large-sized models, leading to an overall average improvement of 0.3% over the best performing large-sized model RoBERTa-wwm-ext-large. These results demonstrate the effectiveness and superiority of eHealth in biomedical text understanding.

Table 5 further reports the performance of these PLMs on medical question answering tasks, where scores are averaged over the best three runs selected on the dev split for each task. From the results we observe some perhaps surprising phenomena: (i) The two previous biomedical PLMs, namely MC-BERT and PCL-MedBERT, fail to surpass their

general-domain opponents of the same model size. PCL-MedBERT even underperforms BERT-base from which it started continual pre-training. (ii) The large-sized models also fail to bring further improvements over their base-sized versions, except on NLPEC. Such phenomena indicate that these question answering tasks are difficult to improve. Even so, eHealth consistently outperforms all those PLMs, no matter general-domain or biomedical, and no matter base-sized or large-sized, showing its superior ability in medical question answering.

#### 4.4 Ablation Studies

The discriminator of eHealth is trained via a multi-task fashion, *i.e.*, (i) token-level discrimination of RTD and MTS and (ii) sequence-level discrimination of CSP. We therefore conduct ablation studies to show the effects of these different pre-training tasks. Specifically, we make comparison between: (i) *the full setting* where the discriminator is trained via RTD, MTS, and CSP; (ii) *w/o CSP* where the sequence-level CSP task is removed; (iii) *w/o MTS* where the token-level MTS task is removed; and (iv) *w/o CSP & MTS* where both CSP and MTS are removed and thus degenerates to traditional ELECTRA. All these variants are base-sized, trained with the same setting as described in Section 4.1. The only exception is that here we train with a smaller batch size of 128 for only 500K steps.

Table 6 presents the results of the four variants on CBLUE and medical QA benchmarks. CBLUE results are reported on test sets, generated by the single best run on dev sets. Medical QA results are averaged over the best three runs on dev sets. From the results, we can observe that: (i) The full setting

Model	CBLUE Benchmark									Medical QA Tasks		
	CMeEE	CMeIE	CDN	CTC	STS	QIC	QTR	QQR	Avg.	cMedQNL dev   test	webMedQA dev   test	NLPEC dev   test
The full setting	<b>66.6</b>	<b>61.6</b>	<u>70.3</u>	<u>69.6</u>	<u>85.1</u>	<b>87.5</b>	<b>62.0</b>	<b>85.5</b>	<b>73.5</b>	<b>97.0</b>   <b>96.9</b>	<u>79.7</u>   <b>80.1</b>	<u>68.1</u>   <b>55.8</b>
w/o CSP	<u>66.5</u>	<u>61.3</u>	69.8	<b>69.7</b>	84.6	<u>86.7</u>	<u>61.5</u>	<u>84.5</u>	<u>73.1</u>	96.9   96.7	<b>79.8</b>   <u>79.7</u>	67.6   53.1
w/o MTS	<u>65.8</u>	<u>60.2</u>	<b>70.4</b>	68.1	<b>85.4</b>	<u>85.6</u>	61.4	84.3	72.7	96.7   96.5	<u>79.7</u>   <b>80.1</b>	<b>68.8</b>   <u>55.2</u>
w/o CSP & MTS	65.6	60.0	70.1	68.5	84.4	86.5	61.1	84.4	72.6	96.6   96.4	<u>79.7</u>   <u>79.7</u>	67.8   54.2

Table 6: Effects of different pre-training tasks of eHealth on CBLUE and medical QA tasks. CBLUE results are reported on (hidden) test sets, generated by the single best run on dev sets. Medical QA results are averaged by the best three runs on dev sets. All models are standard base-sized, trained with a smaller batch size of 128 for only 500K steps. **Best** scores are highlighted in bold, and second best scores are underlined.

performs the best among the four variants, always reporting the best or second best scores on all the 11 diversified tasks. Compared to traditional ELECTRA pre-training, *i.e.*, w/o CSP & MTS, it achieves an averaged improvement of 0.9% on CBLUE test sets and averaged improvements of 0.5%, 0.4%, and 1.6% on test sets of cMedQNL, webMedQA, and NLPEC, respectively. This demonstrates the usefulness of our pre-training tasks, in particular CSP and MTS, to build effective PLMs. (ii) Both the w/o CSP and w/o MTS settings in general perform better than the w/o CSP & MTS setting. This indicates that whether CSP or MTS, when applied alone, is able to improve the traditional ELECTRA pre-training with a single RTD task. (iii) Between the two tasks, MTS is, in general, more powerful than CSP. Removing MTS brings an average drop of 0.8% on CBLUE test sets (w/o MTS versus the full setting), while removing CSP only brings an average drop of 0.4% on the same benchmark (w/o CSP versus the full setting).

## 5 Conclusion

This work presents eHealth, a Chinese biomedical language model pre-trained from in-domain text of de-identified online doctor-patient dialogues, electronic medical records, and textbooks. Unlike most previous studies that directly adapt general-domain PLMs to the biomedical domain, eHealth is trained from scratch with a new self-supervised generator-discriminator framework. The generator is used to produce corrupted input and will be discarded after pre-training. The discriminator, which is the final target encoder, is trained via multi-level discrimination: (i) token-level discrimination that detects input tokens corrupted by the generator and selects original signals from plausible candidates; and (ii) sequence-level discrimination that further detects corruptions of a same original sequence from those

of the others. As such, eHealth can learn language semantics at both levels. Experimental results on CBLUE benchmark and 3 medical QA tasks show that eHealth consistently outperforms state-of-the-art PLMs of the same size from both the general and biomedical domains, competing or even surpassing those of much larger size. We release the pre-trained model to the public. As the model relies solely on text, it could be applied rather easily during fine-tuning.

## References

- Sultan Alrowili and Vijay Shanker. 2021. BioM-Transformers: Building large biomedical language models with BERT, ALBERT and ELECTRA. In *Proceedings of the 20th Workshop on Biomedical Language Processing*, pages 221–227.
- Emily Alsentzer, John Murphy, William Boag, Wei-Hung Weng, Di Jindi, Tristan Naumann, and Matthew McDermott. 2019. Publicly available clinical BERT embeddings. In *Proceedings of the 2nd Clinical Natural Language Processing Workshop*, pages 72–78.
- Stéphane Aroca-Ouellette and Frank Rudzicz. 2020. On losses for modern language models. In *Proceedings of the 2020 Conference on Empirical Methods in Natural Language Processing*, pages 4970–4981.
- Giannis Bekoulis, Johannes Deleu, Thomas Demeester, and Chris Develder. 2018. Joint entity recognition and relation extraction as a multi-head selection problem. *Expert Systems with Applications*, 114:34–45.
- Iz Beltagy, Kyle Lo, and Arman Cohan. 2019. SciBERT: A pretrained language model for scientific text. In *Proceedings of the 2019 Conference on Empirical Methods in Natural Language Processing and the 9th International Joint Conference on Natural Language Processing*, pages 3615–3620.
- Zerui Cai, Taolin Zhang, Chengyu Wang, and Xiaofeng He. 2021. EMBERT: A pre-trained language model



- for Chinese medical text mining. In *Web and Big Data*, pages 242–257.
- Ilias Chalkidis, Manos Fergadiotis, Prodromos Malakiotis, Nikolaos Aletras, and Ion Androutsopoulos. 2020. LEGAL-BERT: The muppets straight out of law school. In *Proceedings of the 2020 Conference on Empirical Methods in Natural Language Processing: Findings*, pages 2898–2904.
- Ting Chen, Simon Kornblith, Mohammad Norouzi, and Geoffrey Hinton. 2020. A simple framework for contrastive learning of visual representations. In *Proceedings of the 37-th International Conference on Machine Learning*, pages 1597–1607.
- Kevin Clark, Minh-Thang Luong, Quoc V Le, and Christopher D Manning. 2020. ELECTRA: Pre-training text encoders as discriminators rather than generators. In *Proceedings of the Eighth International Conference on Learning Representations*.
- Yiming Cui, Wanxiang Che, Ting Liu, Bing Qin, Shijin Wang, and Guoping Hu. 2020. Revisiting pre-trained models for Chinese natural language processing. In *Proceedings of the 2020 Conference on Empirical Methods in Natural Language Processing: Findings*, pages 657–668.
- Jacob Devlin, Ming-Wei Chang, Kenton Lee, and Kristina Toutanova. 2019. BERT: Pre-training of deep bidirectional Transformers for language understanding. In *Proceedings of the 2019 Conference of the North American Chapter of the Association for Computational Linguistics: Human Language Technologies*, pages 4171–4186.
- Hongchao Fang, Sicheng Wang, Meng Zhou, Jiayuan Ding, and Pengtao Xie. 2020. CERT: Contrastive self-supervised learning for language understanding. *arXiv preprint arXiv:2005.12766*.
- Yu Gu, Robert Tinn, Hao Cheng, Michael Lucas, Naoto Usuyama, Xiaodong Liu, Tristan Naumann, Jianfeng Gao, and Hoifung Poon. 2020. Domain-specific language model pretraining for biomedical natural language processing. *arXiv preprint arXiv:2007.15779*.
- Tongfeng Guan, Hongying Zan, Xiabing Zhou, Hongfei Xu, and Kunli Zhang. 2020. CMeIE: Construction and evaluation of Chinese medical information extraction dataset. In *CCF International Conference on Natural Language Processing and Chinese Computing*, pages 270–282.
- Suchin Gururangan, Ana Marasovic, Swabha Swayamdipta, Kyle Lo, Iz Beltagy, Doug Downey, and Noah A Smith. 2020. Don’t stop pretraining: Adapt language models to domains and tasks. In *Proceedings of the 58th Annual Meeting of the Association for Computational Linguistics*, pages 8342–8360.
- Kelvin Guu, Kenton Lee, Zora Tung, Panupong Papat, and Ming-Wei Chang. 2020. REALM: Retrieval-augmented language model pre-training. *arXiv preprint arXiv:2002.08909*.
- Junqing He, Mingming Fu, and Manshu Tu. 2019. Applying deep matching networks to Chinese medical question answering: A study and a dataset. *BMC Medical Informatics and Decision Making*, 19(2):91–100.
- Qiao Jin, Zheng Yuan, Guangzhi Xiong, Qianlan Yu, Chuanqi Tan, Moshu Chen, Songfang Huang, Xiaozhong Liu, and Sheng Yu. 2021. Biomedical question answering: A comprehensive review. *arXiv preprint arXiv:2102.05281*.
- Mandar Joshi, Danqi Chen, Yinhan Liu, Daniel S Weld, Luke Zettlemoyer, and Omer Levy. 2020. SpanBERT: Improving pre-training by representing and predicting spans. *Transactions of the Association for Computational Linguistics*, 8:64–77.
- Kamal raj Kanakarajan, Bhuvana Kundumani, and Malaikannan Sankarasubbu. 2021. BioELECTRA: Pretrained biomedical text encoder using discriminators. In *Proceedings of the 20th Workshop on Biomedical Language Processing*, pages 143–154.
- Diederik P Kingma and Jimmy Ba. 2014. Adam: A method for stochastic optimization. *arXiv preprint arXiv:1412.6980*.
- Zhenzhong Lan, Mingda Chen, Sebastian Goodman, Kevin Gimpel, Piyush Sharma, and Radu Soricut. 2020. ALBERT: A lite BERT for self-supervised learning of language representations. In *Proceedings of the Eighth International Conference on Learning Representations*.
- Jinhyuk Lee, Wonjin Yoon, Sungdong Kim, Donghyeon Kim, Sunkyu Kim, Chan Ho So, and Jaewoo Kang. 2020. BioBERT: A pre-trained biomedical language representation model for biomedical text mining. *Bioinformatics*, 36(4):1234–1240.
- Mike Lewis, Yinhan Liu, Naman Goyal, Marjan Ghazvininejad, Abdelrahman Mohamed, Omer Levy, Veselin Stoyanov, and Luke Zettlemoyer. 2020a. BART: Denoising sequence-to-sequence pre-training for natural language generation, translation, and comprehension. In *Proceedings of the 58th Annual Meeting of the Association for Computational Linguistics*, pages 7871–7880.
- Patrick Lewis, Myle Ott, Jingfei Du, and Veselin Stoyanov. 2020b. Pretrained language models for biomedical and clinical tasks: Understanding and extending the state-of-the-art. In *Proceedings of the 3rd Clinical Natural Language Processing Workshop*, pages 146–157.
- Dongfang Li, Baotian Hu, Qingcai Chen, Weihua Peng, and Anqi Wang. 2020. Towards medical machine reading comprehension with structural knowledge

- and plain text. In *Proceedings of the 2020 Conference on Empirical Methods in Natural Language Processing*, pages 1427–1438.
- Yinhan Liu, Myle Ott, Naman Goyal, Jingfei Du, Mandar Joshi, Danqi Chen, Omer Levy, Mike Lewis, Luke Zettlemoyer, and Veselin Stoyanov. 2019. RoBERTa: A robustly optimized BERT pretraining approach. *arXiv preprint arXiv:1907.11692*.
- Zhuang Liu, Degen Huang, Kaiyu Huang, Zhuang Li, and Jun Zhao. 2020. FinBERT: A pre-trained financial language representation model for financial text mining. In *Proceedings of the Twenty-Ninth International Joint Conference on Artificial Intelligence: Special Track on AI in FinTech*, pages 4513–4519.
- Yu Meng, Chenyan Xiong, Payal Bajaj, Saurabh Tiwary, Paul Bennett, Jiawei Han, and Xia Song. 2021. COCO-LM: Correcting and contrasting text sequences for language model pretraining. *arXiv preprint arXiv:2102.08473*.
- Alec Radford, Karthik Narasimhan, Tim Salimans, and Ilya Sutskever. 2018. Improving language understanding by generative pre-training. Technical report, OpenAI.
- Lev Ratinov and Dan Roth. 2009. Design challenges and misconceptions in named entity recognition. In *Proceedings of the Thirteenth Conference on Computational Natural Language Learning*, pages 147–155.
- Jiaming Shen, Jialu Liu, Tianqi Liu, Cong Yu, and Jiawei Han. 2021. Training ELECTRA augmented with multi-word selection. In *Findings of the Association for Computational Linguistics: ACL-IJCNLP 2021*, pages 2475–2486.
- Yu Sun, Shuohuan Wang, Yukun Li, Shikun Feng, Hao Tian, Hua Wu, and Haifeng Wang. 2020. ERNIE 2.0: A continual pre-training framework for language understanding. In *Proceedings of the Thirty-Fourth AAAI Conference on Artificial Intelligence*, pages 8968–8975.
- Ashish Vaswani, Noam Shazeer, Niki Parmar, Jakob Uszkoreit, Llion Jones, Aidan N Gomez, Łukasz Kaiser, and Illia Polosukhin. 2017. Attention is all you need. In *Advances in Neural Information Processing Systems*, pages 5998–6008.
- Yonghui Wu, Mike Schuster, Zhifeng Chen, Quoc V Le, Mohammad Norouzi, Wolfgang Macherey, Maxim Krikun, Yuan Cao, Qin Gao, Klaus Macherey, et al. 2016. Google’s neural machine translation system: Bridging the gap between human and machine translation. *arXiv preprint arXiv:1609.08144*.
- Zhenhui Xu, Linyuan Gong, Guolin Ke, Di He, Shuxin Zheng, Liwei Wang, Jiang Bian, and Tie-Yan Liu. 2020. MC-BERT: Efficient language pre-training via a meta controller. *arXiv preprint arXiv:2006.05744*.
- Zhilin Yang, Zihang Dai, Yiming Yang, Jaime Carbonell, Russ R Salakhutdinov, and Quoc V Le. 2019. XLNet: Generalized autoregressive pretraining for language understanding. *Advances in Neural Information Processing Systems*, 32.
- Xiangrong Zeng, Daojian Zeng, Shizhu He, Kang Liu, and Jun Zhao. 2018. Extracting relational facts by an end-to-end neural model with copy mechanism. In *Proceedings of the 56th Annual Meeting of the Association for Computational Linguistics*, pages 506–514.
- Ningyu Zhang, Mosha Chen, Zhen Bi, Xiaozhuan Liang, Lei Li, Xin Shang, Kangping Yin, Chuanqi Tan, Jian Xu, Fei Huang, Luo Si, Yuan Ni, Guotong Xie, Zhifang Sui, Baobao Chang, Hui Zong, Zheng Yuan, Linfeng Li, Jun Yan, Hongying Zan, Kunli Zhang, Buzhou Tang, and Qingcai Chen. 2021a. CBLUE: A Chinese biomedical language understanding evaluation benchmark. *arXiv preprint arXiv:2106.08087*.
- Ningyu Zhang, Qianghui Jia, Kangping Yin, Liang Dong, Feng Gao, and Nengwei Hua. 2020. Conceptualized representation learning for Chinese biomedical text mining. *arXiv preprint arXiv:2008.10813*.
- Taolin Zhang, Zerui Cai, Chengyu Wang, Minghui Qiu, Bite Yang, and Xiaofeng He. 2021b. SMedBERT: A knowledge-enhanced pre-trained language model with structured semantics for medical text mining. In *Proceedings of the 59th Annual Meeting of the Association for Computational Linguistics and the 11th International Joint Conference on Natural Language Processing*, pages 5882–5893.
- Hui Zong, Jinxuan Yang, Zeyu Zhang, Zuofeng Li, and Xiaoyan Zhang. 2021. Semantic categorization of Chinese eligibility criteria in clinical trials using machine learning methods. *BMC Medical Informatics and Decision Making*, 21(1):1–12.

## A Pre-training Hyperparameters

We mostly use the same hyperparameters as ELECTRA (Clark et al., 2020) and do not conduct hyperparameter tuning during pre-training. As for those newly introduced hyperparameters, we sample  $k = 5$  non-original tokens for a certain position in the MTS task, use a temperature  $\tau = 0.07$  in the CSP task, and set the loss balancing tradeoffs  $\lambda_1 = 50$ ,  $\lambda_2 = 20$ ,  $\lambda_3 = 1$ . The full pre-training setting is listed in Table 7.

## B Fine-tuning Hyperparameters

During fine-tuning, we mostly use the default setting as suggested by BERT (Devlin et al., 2019) and ELECTRA (Clark et al., 2020), listed in Table 8. We also use exponential moving average (EMA) with a decay coefficient  $\alpha$  of 0.9999. Then for

Hyperparameter	Value
Number of Layers	12
Hidden size	768
Intermediate size	3072
Number of attention heads	12
Attention head size	64
Embedding size	768
Generator size (multiplier for hidden size, intermediate size, number of attention heads)	1/3
Mask percentage	15
Learning rate decay	Linear
Warmup steps	10000
Learning rate	2e-4
Adam $\epsilon$	1e-6
Adam $\beta_1$	0.9
Adam $\beta_2$	0.999
Attention dropout	0.1
Dropout	0.1
Weight decay	0.01
Batch size	256
Training steps	1M
Loss tradeoff $\lambda_1$	50
Loss tradeoff $\lambda_2$	20
Loss tradeoff $\lambda_3$	1
Multi-token selection $k$	5
Contrastive sequence prediction $\tau$	0.07

Table 7: Pre-training hyperparameters.

Hyperparameter	Value
Learning rate decay	Linear
Warmup ratio	0.1
Adam $\epsilon$	1e-8
Adam $\beta_1$	0.9
Adam $\beta_2$	0.999
Attention dropout	0.1
Dropout	0.1
Weight decay	0.01
EMA decay	0.9999

Table 8: Default fine-tuning hyperparameters.

each task we specify a proper maximum sequence length, tune for each PLM the batch size, learning rate, and training epochs in their respective ranges, and determine optimal configurations according to dev performance. The full tuning ranges are listed in Table 9.

## C CBLUE Benchmark

CBLUE (Zhang et al., 2021a)<sup>8</sup> is a benchmark for Chinese biomedical language understanding evaluation, consisting of 8 diversified biomedical NLP tasks as follows.

<sup>8</sup><https://github.com/CBLUEbenchmark/CBLUE>

**CMeEE:** Chinese Medical Entity Extraction.<sup>9</sup> The task is to identify medical entities from a given sentence and classify the entities into nine categories including disease, symptom, drug, etc. The dataset contains 15K/5K/3K train/dev/test examples from textbooks of clinical pediatrics.

**CMeIE:** Chinese Medical Information Extraction (Guan et al., 2020).<sup>10</sup> The task is to recognize both medical entities and their relationships from a given sentence according to a predefined schema. There are 44 relations defined in the schema, along with their subject/object entity types. The dataset contains about 14K/3.5K/4.5K train/dev/test examples, which are also from textbooks of clinical pediatrics.

**CHIP-CDN:** CHIP Clinical Diagnosis Normalization.<sup>11</sup> The task is to normalize original diagnostic terms into standard terminologies from the International Classification of Diseases (ICD-10), Beijing Clinical Edition v601. The dataset contains about 6K/2K/10K train/dev/test examples collected from de-identified electronic medical records.

**CHIP-CTC:** CHIP Clinical Trial Classification (Zong et al., 2021).<sup>12</sup> The task is to categorize eligibility criteria of clinical trials into 44 predefined semantic classes including age, disease, symptom, etc. The dataset consists of about 23K/7.5K/10K train/dev/test examples collected from the website of Chinese Clinical Trial Registry.

**CHIP-STs:** CHIP Semantic Textual Similarity.<sup>13</sup> The task is to identify whether the semantics of two medical questions are identical or not. The dataset contains 16K/4K/10K train/dev/test question pairs collected from online healthcare services, covering 5 diseases including diabetes, hypertension, hepatitis, aids, and breast cancer.

**KUAKE-QIC:** KUAKE Query Intent Classification. The task is to classify the intent of a medical search query into one of 11 predefined categories like diagnosis, etiology analysis, medical advice, etc. The dataset contains about 7K/2K/2K queries

<sup>9</sup><http://www.cips-chip.org.cn/2020/eval1>

<sup>10</sup><http://www.cips-chip.org.cn/2020/eval2>

<sup>11</sup><http://www.cips-chip.org.cn/2020/eval3>

<sup>12</sup><https://github.com/zonghui0228/chip2019task3>

<sup>13</sup><http://www.cips-chip.org.cn:8000/evaluation>

Task	Batch size	Learning rate	Epochs	Length
<i>CBLUE benchmark</i>				
CMeEE	32	6e-5, 1e-4	2, 4, 8, 12	128
CMeIE	12	6e-5	50, 100, 150, 200, 250	300
CHIP-CDN	256	3e-5, 6e-5, 1e-4	2, 4, 8, 12, 16	32
CHIP-CTC	8, 16, 32	3e-5, 6e-5, 1e-4	2, 4, 8, 12, 16	160
CHIP-STC	8, 16, 32	3e-5, 6e-5, 1e-4	2, 4, 8, 12, 16	96
KUAKE-QIC	8, 16, 32	3e-5, 6e-5, 1e-4	2, 4, 8, 12, 16	128
KUAKE-QTR	8, 16, 32	3e-5, 6e-5, 1e-4	2, 4, 8, 12, 16	64
KUAKE-QQR	8, 16, 32	3e-5, 6e-5, 1e-4	2, 4, 8, 12, 16	64
<i>Medical QA tasks</i>				
cMedQNLI	8, 16, 32	3e-5, 6e-5, 1e-4	1, 2, 4	512
webMedQA	8, 16	2e-5, 3e-5, 6e-5	1, 2, 4	512
NLPEC	32	2e-5, 3e-5, 6e-5	10, 20, 30, 40	512

Table 9: Hyperparameter tuning ranges on CBLUE and medical QA benchmarks.

in the train/dev/test split, collected from Alibaba QUAKE search engine.

**KUAKE-QTR:** KUAKE Query Title Relevance. The task aims to estimate the relevance between a search query and a webpage title. The relevance is divided into four levels: perfectly match, partially match, slightly match, and mismatch. The dataset contains about 24K/3K/5.5K query-title pairs in the train/dev/test split, collected from Alibaba QUAKE search engine.

**KUAKE-QQR:** KUAKE Query Query Relevance. Similar to KUAKE-QTR, the task is to estimate the relevance between two search queries  $Q_1$  and  $Q_2$ . The relevance is divided into three levels: perfectly match,  $Q_2$  is a subset of  $Q_1$ ,  $Q_2$  is a superset of  $Q_1$  or mismatch. The dataset contains approximately 15K/1.6K/1.6K pairs of queries in the train/dev/test split. The queries are also collected from Alibaba QUAKE search engine.

## D Medical QA Tasks

Besides CBLUE, we consider three medical question answering (QA) tasks, detailed as follows.

**cMedQNLI:** This is a Chinese medical QA dataset which formalizes QA as a question answer matching problem (Zhang et al., 2020).<sup>14</sup> Given a question answer pair, the task is to identify whether the answer addresses the question or not. The dataset contains about 81K/9K/10K question answer pairs in the train/dev/test split.

**webMedQA:** This dataset also formalizes medical QA as a question answer matching problem (He

et al., 2019),<sup>15</sup> just like cMedQNLI. But it is much larger, containing roughly 250K/31.5K/31.5K question answer pairs in the train/dev/test split.

**NLPEC:** This is a multiple choice QA dataset constructed using simulated and real questions from the National Licensed Pharmacist Examination in China (Li et al., 2020).<sup>16</sup> Given a question along with five answer candidates, the task is to select the most plausible answer from the candidates using textual evidences extracted from the official exam guide. The dataset contains about 18K/2.5K/0.5K questions in the train/dev/test split.

## E Task-specific Heads

We devise lightweight task-specific heads on top of pre-trained Transformer encoders to solve downstream tasks in various forms. These task-specific heads are roughly categorized into five groups, used for named entity recognition, relation extraction, single sentence classification, sentence pair classification, and multiple choice QA, respectively.

**Named Entity Recognition.** CMeEE is the only task of this kind. It recognizes medical entities and classifies them into 9 predefined types. Nesting is allowed only in symptom entities, but not in entities of the other types. We therefore use a two-stream sequence tagging head for this task, one to identify symptom entities and the other to identify entities of the other 8 types. We choose the BIOES (*i.e.*, Begin, Inside, Outside, End, Single) tagging scheme (Ratinov and Roth, 2009). Given a sequence with its contextualized representations output by a pre-trained encoder, we build two classifiers on top of

<sup>14</sup><https://github.com/alibaba-research/ChineseBLUE>

<sup>15</sup><https://github.com/hejunqing/webMedQA>  
<sup>16</sup><http://112.74.48.115:8157>

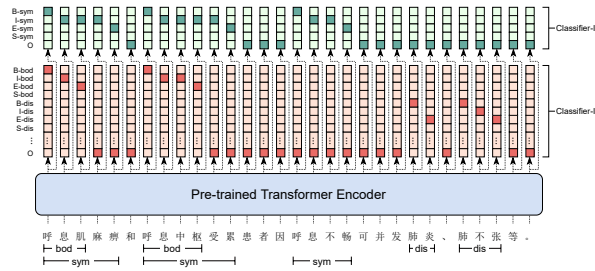


Figure 2: A running example illustrating the sequence tagging head used for CMeEE. Dark shaded entries represent a ground truth label of 1, and light shaded entries a ground truth label of 0.

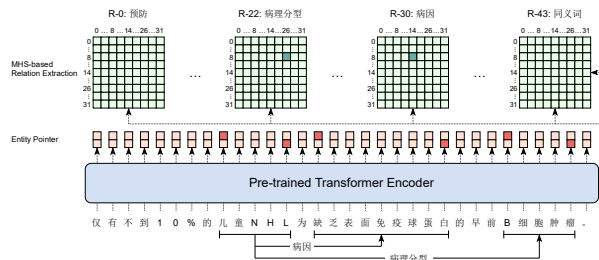


Figure 3: A running example illustrating the multi-head selection layer used for joint entity and relation extraction in CMeIE. Dark shaded entries represent a ground truth label of 1, and light shaded entries a ground truth label of 0.

these representations. The first assigns each token in the sequence into 5 classes to annotate symptom entities (4 type-specific B-, I-, E-, S- tags plus O tag), while the second assigns it into 33 classes to annotate entities of other types (32 type-specific B-, I-, E-, S- tags plus O tag). The two classifiers are trained jointly with a 1:1 balanced combined loss. Figure 2 gives a running example illustrating this two-stream sequence tagging head.

**Relation Extraction.** CMeIE is the only task of this kind. It extracts subject-relation-object triples according to a predefined schema. There are totally 44 relations defined in the schema and overlapping is allowed between these relations, *i.e.*, one entity may belong to multiple triples of different relations (Zeng et al., 2018). To solve this overlapping problem, we use a multi-head selection (MHS) layer for joint entity and relation extraction (Bekoulis et al., 2018). As illustrated in Figure 3, an entity pointer is adopted to identify start and end of entity spans, and then an MHS mechanism is further employed to recognize possible relationships between pairs of entity spans. The MHS module predicts if there exists a relation  $k$  between a subject entity starting at position  $i$  and an object entity starting at position  $j$

for every  $i, j$ , and  $k$ . This prediction probability is calculated via a relation-specific biaffine operation imposed upon the starting token representations of subject and object entities. Finally, we jointly train the entity pointer and MHS-based relation extractor via a combined loss with balancing ratio of 1:50.

**Single Sentence Classification.** CHIP-CTC and KUAKE-QIC are tasks of this kind, which classifies a given sentence into one of a set of predefined categories. We simply build a softmax classifier on top of the final representation corresponding to the initial [CLS] token for this classification task.

**Sentence Pair Classification.** The sentence pair matching tasks of CHIP-STs, KUAKE-QTR, and KUAKE-QQR, as well as the medical QA tasks of cMedQNLI and webMedQA are of this kind, aiming at predicting the semantic relationship between a pair of sentences according to a set of predefined labels. CHIP-CDN, after normalized terms have been retrieved for each original term, can also be formalized as a task of this kind, the aim of which is to judge if a normalized term matches the original term or not. Given a pair of sentences ( $S_1, S_2$ ), we pack them into a single input sequence “[CLS]  $S_1$  [SEP]  $S_2$  [SEP]”, and feed this sequence into a pre-trained encoder. Then we build a softmax classifier on top of [CLS] representation to conduct sentence pair classification. For CHIP-CDN, we retrieve 100 candidate normalized terms for each original term from the whole ICD-10 vocabulary using Elasticsearch before pairwise classification.

**Multiple Choice QA.** NLPEC is the only task of this kind. It selects the most plausible answer from 5 answer candidates for a given question. Textual evidences are also provided along with the question. Let  $Q$  denote the question,  $\{A_1, A_2, A_3, A_4, A_5\}$  the answer candidates, and  $T$  the textual evidence. For each answer candidate  $A_i$ , we pack it with the question  $Q$  and textual evidence  $T$ , and construct a single input sequence “[CLS]  $A_i$  [SEP]  $Q$  [SEP]  $T$  [SEP]”. We feed this sequence into a pre-trained encoder, and use [CLS] representation to estimate if  $A_i$  answers  $Q$  given textual evidence  $T$ . In this fashion, we transform multiple choice into binary classification. At inference time, the candidate with highest probability is chosen as the correct answer.