

Channel Codes for Relayless Networks with General Message Access Structure

Jun Muramatsu *Senior Member, IEEE*

NTT Communication Science Laboratories, NTT Corporation
2-4 Hikaridai, Seika-cho, Soraku-gun, Kyoto, 619-0237 Japan
E-mail: jun.muramatsu@ieee.org.

Abstract

Channel codes for relayless networks with the general message access structure is introduced. It is shown that the multi-letter characterized capacity region of this network is achievable with this code. The capacity region is characterized in terms of entropy functions and provides an alternative to the regions introduced by [Somekh-Baruch and Verdú, ISIT2006][Muramatsu and Miyake, ISITA2018].

Index Terms

constrained-random-number generators, general message access structure, information-spectrum method, multiple-input-multiple-output channel

I. INTRODUCTION

This paper investigates the problem of multi-terminal channel coding for relayless networks with the general message access structure shown in Fig. 1. Multi-terminal channels include broadcast channels [6] [14] [20] [23] [25] [26], multiple-access channels [1] [2] [12] [15] [16] [24] [37] [38], and interference channels [2] [4] [18] [21] [29].

The contribution of this paper is the introduction of codes for this type of network by using constrained-random-number generators, which are the basic building blocks for the construction of the both encoders and decoders. Sparse matrices (with logarithmic column degree) are available for code construction. The construction includes the case when all messages are private [35] and the case when all encoders have access to all common messages [29]. It should be noted that there is an unsupported case in which previous constructions [29] [35] cannot be applied directly.

It is shown that the multi-letter characterized capacity region of this network is achievable with this code. This capacity region is specified in terms of entropy functions and provides an alternative to the region derived in [35] [39]. It should be noted that, when random variables are assumed to be stationary and memoryless, our region provides the best known single-letter characterized achievable regions for general stationary memoryless channels, where the rate-splitting technique is unnecessary [26] [29].

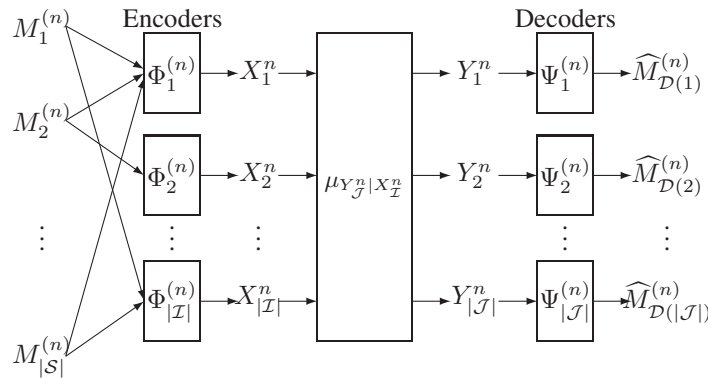


Fig. 1. Multi-terminal Channel Coding

Throughout this paper, we use the following definitions and notations. When \mathcal{U} is a set and \mathcal{V}_u is also a set for each $u \in \mathcal{U}$, we use the notation $\mathcal{V}_{\mathcal{U}} \equiv \times_{u \in \mathcal{U}} \mathcal{V}_u$. We use the notation $v_{\mathcal{U}} \equiv \{v_u\}_{u \in \mathcal{U}} \in \mathcal{V}_{\mathcal{U}}$ to represent the sequence of elements (e.g. sequences, random variables, functions) v_u with index $u \in \mathcal{U}$. We use the notation $|\mathcal{U}|$ to represent the cardinality of \mathcal{U} . Let $2^{\mathcal{U}}$ be the power set of \mathcal{U} .

Let \mathcal{I} be the index set of channel inputs, and \mathcal{J} be the index set of channel outputs. Then, a general channel is characterized by sequence $\{\mu_{Y_{\mathcal{J}}^n | X_{\mathcal{I}}^n}\}_{n=1}^{\infty}$ of conditional distributions, where $n \in \mathbb{N}$ is the block length of the channel input, $X_{\mathcal{I}}^n \equiv \{X_i^n\}_{i \in \mathcal{I}}$ is the set of random variables of multiple channel inputs, and $Y_{\mathcal{J}}^n \equiv \{Y_j^n\}_{j \in \mathcal{J}}$ is the set of random variables of multiple channel outputs.

For each $i \in \mathcal{I}$ and $n \in \mathbb{N}$, let \mathcal{X}_i^n be the alphabet of random variable $X_i^n \equiv (X_{i,1}, \dots, X_{i,n})$, where we assume that \mathcal{X}_i^n is the n -dimensional Cartesian product of finite set \mathcal{X}_i and $X_{i,k} \in \mathcal{X}_i$ for all $k \in \{1, \dots, n\}$. For each $j \in \mathcal{J}$ and $n \in \mathbb{N}$, let \mathcal{Y}_j^n be the alphabet of random variable Y_j^n . It should be noted that \mathcal{Y}_j^n is allowed to be an infinite/continuous set and it is unnecessary to assume that \mathcal{Y}_j^n is the n -dimensional Cartesian product of \mathcal{Y}_j . For example, we can assume that $\mathcal{Y}_j^n \equiv \bigcup_{n=0}^{\infty} \mathcal{X}_i^n$, which is the set of all finite length sequences with alphabet \mathcal{X}_i , to describe insertion-deletion-substitution channels. We use notations Y_j^n and \mathcal{Y}_j^n to consider the stationary memoryless case.

Let \mathcal{S} be the index set of multiple messages. For each $s \in \mathcal{S}$ and $n \in \mathbb{N}$, let $M_s^{(n)}$ be a random variable of Message s corresponding to the uniform distribution on alphabet $\mathcal{M}_s^{(n)}$. We assume that $\{M_s^{(n)}\}_{s \in \mathcal{S}}$ are mutually independent. We consider the situation that each encoder has access to some of the messages in $\{M_s^{(n)}\}_{s \in \mathcal{S}}$, where some messages are common to some encoders. The definition of the general message access structure between messages and encoders is introduced in Section II.

II. MESSAGE ACCESS STRUCTURE

This section introduces the message access structure.

(Message) access structure \mathcal{A} is a subset of $\mathcal{S} \times \mathcal{I}$, where member $(s, i) \in \mathcal{A}$ indicates that Encoder i has access to Message s . It should be noted that $(\mathcal{S}, \mathcal{I}, \mathcal{A})$ forms a directed bipartite graph, where $(s, i) \in \mathcal{A}$ corresponds to the arc (directed edge) $s \rightarrow i$. For each $s \in \mathcal{S}$, let $\mathcal{I}(s)$ be the set of all indices of encoders that have access to Message s , where $\mathcal{I}(s)$ is defined as

$$\mathcal{I}(s) \equiv \{i \in \mathcal{I} : (s, i) \in \mathcal{A}\}.$$

For each $i \in \mathcal{I}$, let $\mathcal{S}(i)$ be the set of all indices of the messages to which Encoder i has access, where $\mathcal{S}(i)$ is defined as

$$\mathcal{S}(i) \equiv \{s \in \mathcal{S} : (s, i) \in \mathcal{A}\}.$$

We have the fact that $i \in \mathcal{I}(s)$ is equivalent to $s \in \mathcal{S}(i)$.

For a given $\mathcal{I}' \in 2^{\mathcal{I}}$, we refer to the set of encoders whose index belongs to \mathcal{I}' as *Encoders \mathcal{I}'* . Let $\mathcal{S}(\mathcal{I}')$ be the index set of messages common to Encoders \mathcal{I}' , where $\mathcal{S}(\mathcal{I}')$ is defined as

$$\mathcal{S}(\mathcal{I}') \equiv \{s \in \mathcal{S} : \mathcal{I}(s) = \mathcal{I}'\}. \quad (1)$$

We define \mathcal{J} as

$$\mathcal{J} \equiv \{\mathcal{I}' \in 2^{\mathcal{I}} : \mathcal{S}(\mathcal{I}') \neq \emptyset\}.$$

Here, let us introduce a few examples.

Example 1 (Broadcast channel with a common message): The access structure of a broadcast channel with a common message (Fig. 2) can be written as

$$\begin{aligned} \mathcal{S} &\equiv \{1, 2, 12\} \\ \mathcal{I} &\equiv \{1\} \\ \mathcal{A} &\equiv \{(1, 1), (2, 1), (12, 1)\}, \end{aligned}$$

where Encoder 1 has access to Messages 1, 2, and 12, Message 12 is reproduced by Decoders 1 and 2, and Message i is reproduced by Decoder i for each $i \in \{1, 2\}$. We have

$$\begin{aligned} \mathcal{S}(1) &\equiv \{1, 2, 12\} \\ \mathcal{I}(1) &\equiv \{1\} \\ \mathcal{I}(2) &\equiv \{1\} \\ \mathcal{I}(12) &\equiv \{1\} \\ \mathcal{J} &\equiv \{\{1\}\} \\ \mathcal{S}(\{1\}) &\equiv \{1, 2, 12\}. \end{aligned}$$

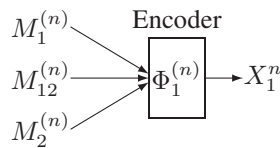


Fig. 2. Access Structure of Example 1

Example 2 (Two-input multiple access channel with a common message): The access structure of a two-input multiple-access channel with a common message (Fig. 3) can be written as

$$\begin{aligned}\mathcal{S} &\equiv \{1, 2, 12\} \\ \mathcal{I} &\equiv \{1, 2\} \\ \mathcal{A} &\equiv \{(1, 1), (2, 2), (12, 1), (12, 2)\},\end{aligned}$$

where Message 12 is a common message for Encoders 1 and 2, and Message i is a private message for Encoder i for each $i \in \{1, 2\}$. In other words, Encoder i has access to Messages i and 12 for each $i \in \{1, 2\}$. This access structure is the same as that of the two-user interference channel with a common message [21], where Decoder i reproduces Messages i and 12 for each $i \in \{1, 2\}$. We have

$$\begin{aligned}\mathcal{S}(1) &\equiv \{1, 12\} \\ \mathcal{S}(2) &\equiv \{2, 12\} \\ \mathcal{I}(1) &\equiv \{1\} \\ \mathcal{I}(2) &\equiv \{2\} \\ \mathcal{I}(12) &\equiv \{1, 2\} \\ \mathcal{J} &\equiv \{\{1, 2\}, \{1\}, \{2\}\} \\ \mathcal{S}(\{1, 2\}) &\equiv \{12\} \\ \mathcal{S}(\{1\}) &\equiv \{1\} \\ \mathcal{S}(\{2\}) &\equiv \{2\}.\end{aligned}$$

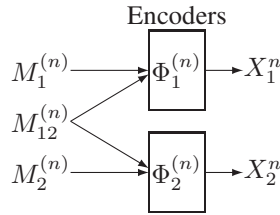


Fig. 3. Access Structure of Example 2

Example 3: Here, we introduce an access structure of a multiple-access channel with three inputs (Fig. 4); it is written as

$$\begin{aligned}\mathcal{S} &\equiv \{1, 3, 12, 23, 123\} \\ \mathcal{I} &\equiv \{1, 2, 3\} \\ \mathcal{A} &\equiv \left\{ \begin{array}{l} (1, 1), (3, 3), \\ (12, 1), (12, 2), (23, 2), (23, 3), \\ (123, 1), (123, 2), (123, 3) \end{array} \right\},\end{aligned}$$

where Message i is a private message for Encoder i for each $i \in \{1, 3\}$, Message ij is a common message to Encoders i and j for each two-digit indexes $ij \in \{12, 23\}$, and Message 123 is a common message to Encoders 1, 2, and 3. In other words, Encoder 1 has access to Messages 1, 12, and 123, Encoder 2 has access to Messages 12, 23, and 123, and Encoder 3 has access to Messages 3, 23, and 123. It should be noted that there are partially-common messages 12 and 23, that do not appear in two-input multiple access channels. We have

$$\begin{aligned}\mathcal{S}(1) &\equiv \{1, 12, 123\} \\ \mathcal{S}(2) &\equiv \{12, 23, 123\} \\ \mathcal{S}(3) &\equiv \{3, 23, 123\} \\ \mathcal{I}(1) &\equiv \{1\} \\ \mathcal{I}(3) &\equiv \{3\} \\ \mathcal{I}(12) &\equiv \{1, 2\} \\ \mathcal{I}(23) &\equiv \{2, 3\} \\ \mathcal{I}(123) &\equiv \{1, 2, 3\}\end{aligned}$$

$$\begin{aligned}
\mathfrak{I} &\equiv \{\{1, 2, 3\}, \{1, 2\}, \{2, 3\}, \{1\}, \{3\}\} \\
\mathcal{S}(\{1, 2, 3\}) &\equiv \{123\} \\
\mathcal{S}(\{1, 2\}) &\equiv \{12\} \\
\mathcal{S}(\{2, 3\}) &\equiv \{23\} \\
\mathcal{S}(\{1\}) &\equiv \{1\} \\
\mathcal{S}(\{3\}) &\equiv \{3\}.
\end{aligned}$$

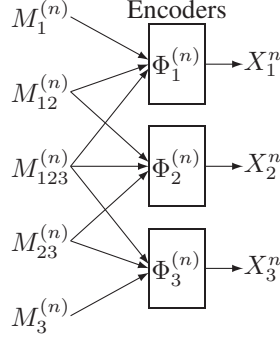


Fig. 4. Access Structure of Example 3

From the following two lemmas, we have the fact that $\{\mathcal{S}(\mathcal{I}')\}_{\mathcal{I}' \in \mathfrak{I}}$ forms a partition of \mathcal{S} .

Lemma 1:

$$\bigcup_{\mathcal{I}' \in \mathfrak{I}} \mathcal{S}(\mathcal{I}') = \mathcal{S}.$$

Proof: Since $\bigcup_{\mathcal{I}' \in \mathfrak{I}} \mathcal{S}(\mathcal{I}') \subset \mathcal{S}$ is trivial, it is sufficient to show that $\mathcal{S} \subset \bigcup_{\mathcal{I}' \in \mathfrak{I}} \mathcal{S}(\mathcal{I}')$. Assume that $s \in \mathcal{S}$ and $\mathcal{I}' \equiv \mathcal{I}(s)$. Then we have $s \in \mathcal{S}(\mathcal{I}(s)) = \{s' : \mathcal{I}(s') = \mathcal{I}(s)\}$. This implies that $\mathcal{S}(\mathcal{I}(s)) \neq \emptyset$ and $\mathcal{I}' = \mathcal{I}(s) \in \mathfrak{I}$. Then we have $s \in \bigcup_{\mathcal{I}' \in \mathfrak{I}} \mathcal{S}(\mathcal{I}')$ and $\mathcal{S} \subset \bigcup_{\mathcal{I}' \in \mathfrak{I}} \mathcal{S}(\mathcal{I}')$. ■

Lemma 2: For any \mathcal{I}' and \mathcal{I}'' satisfying $\mathcal{I}' \neq \mathcal{I}''$, we have

$$\mathcal{S}(\mathcal{I}') \cap \mathcal{S}(\mathcal{I}'') = \emptyset.$$

Proof: We show the lemma by contradiction. Assume that $\mathcal{I}' \neq \mathcal{I}''$ and $\mathcal{S}(\mathcal{I}') \cap \mathcal{S}(\mathcal{I}'') \neq \emptyset$. From $\mathcal{S}(\mathcal{I}') \cap \mathcal{S}(\mathcal{I}'') \neq \emptyset$, there is $s \in \mathcal{S}(\mathcal{I}') \cap \mathcal{S}(\mathcal{I}'')$ satisfying $\mathcal{I}(s) = \mathcal{I}'$ and $\mathcal{I}(s) = \mathcal{I}''$. Then we have $\mathcal{I}' = \mathcal{I}''$, which contradicts $\mathcal{I}' \neq \mathcal{I}''$. ■

Let $\mathring{\mathcal{S}}(\mathcal{I}')$ be defined as

$$\mathring{\mathcal{S}}(\mathcal{I}') \equiv \bigcup_{\substack{\mathcal{I}'' \in \mathfrak{I}; \\ \mathcal{I}' \subsetneq \mathcal{I}''}} \mathcal{S}(\mathcal{I}''). \quad (2)$$

Then we have the following lemmas.

Lemma 3: For any $\mathcal{I}' \in \mathfrak{I}$, we have

$$\mathcal{S}(\mathcal{I}') \cap \mathring{\mathcal{S}}(\mathcal{I}') = \emptyset.$$

Proof: The lemma is shown immediately from Lemma 2. ■

Lemma 4: For any $\mathcal{I}' \in \mathfrak{I}$, we have

$$\bigcap_{i \in \mathcal{I}'} \mathcal{S}(i) = \bigcup_{\substack{\mathcal{I}'' \in \mathfrak{I}; \\ \mathcal{I}' \subsetneq \mathcal{I}''}} \mathcal{S}(\mathcal{I}'') = \mathring{\mathcal{S}}(\mathcal{I}') \cup \mathcal{S}(\mathcal{I}').$$

Proof: The relation $\bigcup_{\mathcal{I}'' \in \mathfrak{I}; \mathcal{I}' \subsetneq \mathcal{I}''} \mathcal{S}(\mathcal{I}'') = \mathring{\mathcal{S}}(\mathcal{I}') \cup \mathcal{S}(\mathcal{I}')$ is shown immediately from the definition of $\mathring{\mathcal{S}}(\mathcal{I}')$. We show below the relations $\bigcap_{i \in \mathcal{I}'} \mathcal{S}(i) \subset \bigcup_{\mathcal{I}'' \in \mathfrak{I}; \mathcal{I}' \subsetneq \mathcal{I}''} \mathcal{S}(\mathcal{I}'')$ and $\bigcup_{\mathcal{I}'' \in \mathfrak{I}; \mathcal{I}' \subsetneq \mathcal{I}''} \mathcal{S}(\mathcal{I}'') \subset \bigcap_{i \in \mathcal{I}'} \mathcal{S}(i)$; together they imply $\bigcap_{i \in \mathcal{I}'} \mathcal{S}(i) = \bigcup_{\mathcal{I}'' \in \mathfrak{I}; \mathcal{I}' \subsetneq \mathcal{I}''} \mathcal{S}(\mathcal{I}'')$.

First, assume that $s \in \bigcap_{i \in \mathcal{I}'} \mathcal{S}(i)$ and $\mathcal{I}'' \equiv \mathcal{I}(s)$. Then we have the fact that $s \in \mathcal{S}(i)$ for all $i \in \mathcal{I}'$. Since $s \in \mathcal{S}(i)$ implies $i \in \mathcal{I}(s)$, we have the fact that $\mathcal{I}' \subset \mathcal{I}(s) = \mathcal{I}''$. Since $s \in \mathcal{S}(\mathcal{I}(s)) = \{s' : \mathcal{I}(s') = \mathcal{I}(s)\}$, we have $\mathcal{S}(\mathcal{I}(s)) \neq \emptyset$ and $\mathcal{I}'' = \mathcal{I}(s) \in \mathfrak{I}$. Then we have $s \in \bigcup_{\mathcal{I}'' \in \mathfrak{I}; \mathcal{I}' \subsetneq \mathcal{I}''} \mathcal{S}(\mathcal{I}'')$, which implies $\bigcap_{i \in \mathcal{I}'} \mathcal{S}(i) \subset \bigcup_{\mathcal{I}'' \in \mathfrak{I}; \mathcal{I}' \subsetneq \mathcal{I}''} \mathcal{S}(\mathcal{I}'')$.

Next, assume that $s \in \bigcup_{\mathcal{I}'' \in \mathfrak{I}; \mathcal{I}' \subsetneq \mathcal{I}''} \mathcal{S}(\mathcal{I}'')$. Then there is \mathcal{I}'' such that $\mathcal{I}' \subsetneq \mathcal{I}''$ and $s \in \mathcal{S}(\mathcal{I}'')$. Since $s \in \mathcal{S}(\mathcal{I}'')$ implies $\mathcal{I}' \subset \mathcal{I}'' = \mathcal{I}(s)$, we have $i \in \mathcal{I}(s)$ and $s \in \mathcal{S}(i)$ for all $i \in \mathcal{I}'$. Then we have $s \in \bigcap_{i \in \mathcal{I}'} \mathcal{S}(i)$, which implies $\bigcup_{\mathcal{I}'' \in \mathfrak{I}; \mathcal{I}' \subsetneq \mathcal{I}''} \mathcal{S}(\mathcal{I}'') \subset \bigcap_{i \in \mathcal{I}'} \mathcal{S}(i)$. ■

Lemma 5: For any $i \in \mathcal{I}'$, we have

$$\mathcal{S}(\mathcal{I}') \subset \mathcal{S}(i) \quad (3)$$

$$\hat{\mathcal{S}}(\mathcal{I}') \subset \mathcal{S}(i). \quad (4)$$

The above relations imply that Encoder i has access to the set of messages $M_{\mathcal{S}(\mathcal{I}')}^{(n)} \equiv \{M_s^{(n)}\}_{s \in \mathcal{S}(\mathcal{I}')} and $M_{\hat{\mathcal{S}}(\mathcal{I}')}^{(n)} \equiv \{M_s^{(n)}\}_{s \in \hat{\mathcal{S}}(\mathcal{I}')}.$$

Proof: The lemma is shown immediately from Lemma 4. \blacksquare

Lemma 6: For any $i \in \mathcal{I}$, we have

$$\bigcup_{\substack{\mathcal{I}' \in \mathcal{J}: \\ i \in \mathcal{I}'}} \mathcal{S}(\mathcal{I}') = \mathcal{S}(i).$$

Proof: First, we show $\bigcup_{\mathcal{I}' \in \mathcal{J}: i \in \mathcal{I}'} \mathcal{S}(\mathcal{I}') \subset \mathcal{S}(i)$. Let $s \in \bigcup_{\mathcal{I}' \in \mathcal{J}: i \in \mathcal{I}'} \mathcal{S}(\mathcal{I}')$. Then there is $\mathcal{I}' \in \mathcal{J}$ such that $i \in \mathcal{I}'$ and $s \in \mathcal{S}(\mathcal{I}')$. From $s \in \mathcal{S}(\mathcal{I}')$, we have $\mathcal{I}(s) = \mathcal{I}'$. Since $i \in \mathcal{I}'$ implies $i \in \mathcal{I}(s)$, we have $s \in \mathcal{S}(i)$. Next, we show $\mathcal{S}(i) \subset \bigcup_{\mathcal{I}' \in \mathcal{J}: i \in \mathcal{I}'} \mathcal{S}(\mathcal{I}')$. Let $s \in \mathcal{S}(i)$ and $\mathcal{I}' \equiv \mathcal{I}(s)$. Then we have $i \in \mathcal{I}(s) = \mathcal{I}'$. Since $s \in \mathcal{S}(\mathcal{I}(s)) = \{s' : \mathcal{I}(s') = \mathcal{I}(s)\}$, we have $\mathcal{S}(\mathcal{I}(s)) \neq \emptyset$ and $\mathcal{I}' = \mathcal{I}(s) \in \mathcal{J}$. Then we have $s \in \bigcup_{\mathcal{I}' \in \mathcal{J}: i \in \mathcal{I}'} \mathcal{S}(\mathcal{I}')$. From the above two facts, we have the lemma. \blacksquare

In subsequent sections, we assume that all elements in $\mathcal{J} \equiv \{\mathcal{I}_1, \mathcal{I}_2, \dots, \mathcal{I}_{|\mathcal{J}|}\}$ are sorted in a linear extension of the reversed partial ordering, which yields the following property: $\mathcal{I}_k \subsetneq \mathcal{I}_{k'}$ implies $k' < k$ for all $k, k' \in \{1, 2, \dots, |\mathcal{J}|\}$. In Examples 1–3, all elements of \mathcal{J} are sorted in this order. An algorithm for computing the linear extension is described in Appendix A. From (2), we have

$$\hat{\mathcal{S}}(\mathcal{I}_k) = \bigcup_{\substack{k' \in \{1, \dots, k-1\}: \\ \mathcal{I}_k \subsetneq \mathcal{I}_{k'}}} \mathcal{S}(\mathcal{I}_{k'}). \quad (5)$$

III. CAPACITY REGION

This section introduces the definition of a multi-letter characterized capacity region for a general multiple-input-multiple-output channel coding [35]. Let $P(\cdot)$ denote the probability of an event.

For each $i \in \mathcal{I}$, Encoder i generates channel input X_i^n from the set of messages $M_{\mathcal{S}(i)}^{(n)} \equiv \{M_s^{(n)}\}_{s \in \mathcal{S}(i)}$. Decoder j receives channel output Y_j^n and reproduces the set of messages $\widehat{M}_{\mathcal{D}(j)}^{(n)} \equiv \{\widehat{M}_{j,s}^{(n)}\}_{s \in \mathcal{D}(j)}$, where $\mathcal{D}(j)$ is the index set of messages reproduced by Decoder j , and $\widehat{M}_{j,s}^{(n)}$ is the reproduction by Decoder j corresponding to Message s . Let $\widehat{M}_{\mathcal{D}(\mathcal{J})}^{(n)} \equiv \{\widehat{M}_{j,s}^{(n)}\}_{j \in \mathcal{J}, s \in \mathcal{D}(j)}$. Then the joint distribution of $(M_{\mathcal{S}}^{(n)}, X_{\mathcal{I}}^n, Y_{\mathcal{J}}^n, \widehat{M}_{\mathcal{D}(\mathcal{J})}^{(n)})$ is given as

$$\begin{aligned} & \mu_{M_{\mathcal{S}}^{(n)} X_{\mathcal{I}}^n Y_{\mathcal{J}}^n \widehat{M}_{\mathcal{D}(\mathcal{J})}^{(n)}}(\mathbf{m}_{\mathcal{S}}, \mathbf{x}_{\mathcal{I}}, \mathbf{y}_{\mathcal{J}}, \widehat{\mathbf{m}}_{\mathcal{D}(\mathcal{J})}) \\ &= \left[\prod_{j \in \mathcal{J}} \mu_{\widehat{M}_{\mathcal{D}(j)}^{(n)} | Y_j^n}(\widehat{\mathbf{m}}_{\mathcal{D}(j)} | \mathbf{y}_j) \right] \mu_{Y_{\mathcal{J}}^n | X_{\mathcal{I}}^n}(\mathbf{y}_{\mathcal{J}} | \mathbf{x}_{\mathcal{I}}) \left[\prod_{i \in \mathcal{I}} \mu_{X_i^n | M_{\mathcal{S}(i)}^{(n)}}(\mathbf{x}_i | \mathbf{m}_{\mathcal{S}(i)}) \right] \left[\prod_{s \in \mathcal{S}} \frac{1}{|\mathcal{M}_s^{(n)}|} \right]. \end{aligned}$$

We expect that, with probability close to 1, $\widehat{M}_{j,s}^{(n)} = M_s^{(n)}$ for all $j \in \mathcal{J}$ and $s \in \mathcal{D}(j)$ if n is sufficiently large. We call rate vector $\{R_s\}_{s \in \mathcal{S}}$ *achievable* if there is a (possibly stochastic) code $\{(\{\Phi_i^{(n)}\}_{i \in \mathcal{I}}, \{\Psi_j^{(n)}\}_{j \in \mathcal{J}})\}_{n=1}^{\infty}$ consisting of encoders $\Phi_i^{(n)} : \mathcal{M}_{\mathcal{S}(i)}^{(n)} \rightarrow \mathcal{X}_i^n$ and decoders $\Psi_j^{(n)} : \mathcal{Y}_j^n \rightarrow \mathcal{M}_{\mathcal{D}(j)}^{(n)}$ such that

$$\liminf_{n \rightarrow \infty} \frac{\log_2 |\mathcal{M}_s^{(n)}|}{n} \geq R_s \quad \text{for all } s \in \mathcal{S} \quad (6)$$

$$\lim_{n \rightarrow \infty} \mathbb{P} \left(\widehat{M}_{j,s}^{(n)} \neq M_s^{(n)} \text{ for some } j \in \mathcal{J} \text{ and } s \in \mathcal{D}(j) \right) = 0, \quad (7)$$

where $X_i^n \equiv \Phi_i^{(n)}(M_{\mathcal{S}(i)}^{(n)})$ and $\widehat{M}_{\mathcal{D}(j)}^{(n)} \equiv \Psi_j^{(n)}(Y_j^n)$. Capacity region \mathcal{R}_{OP} is defined as the closure of the set of all achievable rate vectors.

In the following, we use the information spectrum method introduced in [17], and we do not assume conditions such as consistency, stationarity, and ergodicity. For sequence $\{\mu_{U_n V_n}\}_{n=1}^{\infty}$ of joint probability distributions corresponding to $(\mathbf{U}, \mathbf{V}) \equiv \{(U_n, V_n)\}_{n=1}^{\infty}$, $\underline{H}(\mathbf{U}|\mathbf{V})$ denotes the spectral conditional inf-entropy rate and $\overline{H}(\mathbf{U}|\mathbf{V})$ denotes the spectral conditional sup-entropy rate. Formal definitions are given in Appendix B.

Let $Z_{\mathcal{S}}^n \equiv \{Z_s^n\}_{s \in \mathcal{S}}$ be the random variables subject to the distribution defined as

$$p_{Z_{\mathcal{S}}^n}(\mathbf{z}_{\mathcal{S}}) = \prod_{\mathcal{I}' \in \mathcal{J}} p_{Z_{\mathcal{S}(\mathcal{I}')}^n | Z_{\hat{\mathcal{S}}(\mathcal{I}')}^n}(\mathbf{z}_{\mathcal{S}(\mathcal{I}')} | \mathbf{z}_{\hat{\mathcal{S}}(\mathcal{I}')}), \quad (8)$$

where

$$p_{Z_{\mathcal{S}(\mathcal{I}')}^n | Z_{\hat{\mathcal{S}}(\mathcal{I}')}^n}(\mathbf{z}_{\mathcal{S}(\mathcal{I}')} | \mathbf{z}_{\hat{\mathcal{S}}(\mathcal{I}')})) \equiv p_{Z_{\mathcal{S}(\mathcal{I}')}^n}(\mathbf{z}_{\mathcal{S}(\mathcal{I}')})) \quad \text{if } \hat{\mathcal{S}}(\mathcal{I}') = \emptyset.$$

The alphabet of Z_s^n is denoted by \mathcal{Z}_s^n for each $s \in \mathcal{S}$. It should be noted that it is unnecessary to assume that \mathcal{Z}_s^n is the n -dimensional Cartesian product of \mathcal{Z}_s . We use notations Z_s^n and \mathcal{Z}_s^n to consider the stationary memoryless case.

Let \mathcal{R}_{IT} be defined as the set of all $\{R_s\}_{s \in \mathcal{S}}$ satisfying the condition that there are a set of general sources $\mathbf{Z}_{\mathcal{S}} \equiv \{Z_s\}_{s \in \mathcal{S}}$ and a set of numbers $\{r_s\}_{s \in \mathcal{S}}$ such that

$$R_s \geq 0 \quad (9)$$

$$\sum_{s \in \mathcal{S}'} [R_s + r_s] \leq \underline{H}(\mathbf{Z}_{\mathcal{S}'} | \mathbf{Z}_{\hat{\mathcal{S}}(\mathcal{I}')})) \quad (10)$$

$$\sum_{s \in \mathcal{D}'} r_s \geq \overline{H}(\mathbf{Z}_{\mathcal{D}'} | \mathbf{Y}_j, \mathbf{Z}_{\mathcal{D}(j) \setminus \mathcal{D}'}) \quad (11)$$

for all $(\mathcal{I}', \mathcal{S}', j, \mathcal{D}')$ satisfying $\mathcal{I}' \in \mathfrak{I}$, $\emptyset \neq \mathcal{S}' \subset \mathcal{S}(\mathcal{I}')$, $j \in \mathcal{J}$, $\emptyset \neq \mathcal{D}' \subset \mathcal{D}(j)$, where the joint distribution of $(Z_{\mathcal{S}}^n, X_{\mathcal{I}}^n, Y_{\mathcal{J}}^n)$ is given as

$$\mu_{Z_{\mathcal{S}}^n X_{\mathcal{I}}^n Y_{\mathcal{J}}^n}(\mathbf{z}_{\mathcal{S}}, \mathbf{x}_{\mathcal{I}}, \mathbf{y}_{\mathcal{J}}) = \mu_{Y_{\mathcal{J}}^n | X_{\mathcal{I}}^n}(\mathbf{y}_{\mathcal{J}} | \mathbf{x}_{\mathcal{I}}) \left[\prod_{i \in \mathcal{I}} \mu_{X_i^n | Z_{\mathcal{S}(i)}^n}(\mathbf{x}_i | \mathbf{z}_{\mathcal{S}(i)}) \right] \mu_{Z_{\mathcal{S}}^n}(\mathbf{z}_{\mathcal{S}}) \quad (12)$$

by using $\mu_{Z_{\mathcal{S}}^n}$ defined by (8). It should be noted that we can eliminate auxiliary variables $\{r_s\}_{s \in \mathcal{S}}$ by applying the Fourier-Motzkin method [13, Appendix D].

We have the following theorem. The proof of $\mathcal{R}_{\text{OP}} \subset \mathcal{R}_{\text{IT}}$ is given in Section V. For the proof of $\mathcal{R}_{\text{OP}} \supset \mathcal{R}_{\text{IT}}$, we construct a code in Section VI.

Theorem 1:

$$\mathcal{R}_{\text{OP}} = \mathcal{R}_{\text{IT}}.$$

Remark 1: From (8) and Lemma 9 in Appendix B, we have the relation $\underline{H}(\mathbf{Z}_{\mathcal{S}'} | \mathbf{Z}_{\hat{\mathcal{S}}(\mathcal{I}')})) = \underline{H}(\mathbf{Z}_{\mathcal{S}'} | \mathbf{Z}_{\mathcal{S} \setminus \mathcal{S}(\mathcal{I}')}))$ and the condition (10) can be replaced by

$$\sum_{s \in \mathcal{S}'} [R_s + r_s] \leq \underline{H}(\mathbf{Z}_{\mathcal{S}'} | \mathbf{Z}_{\mathcal{S} \setminus \mathcal{S}(\mathcal{I}')}).$$

Remark 2: When channels and auxiliary sources are stationary and memoryless, we can replace $\underline{H}(\mathbf{Z}_{\mathcal{S}'} | \mathbf{Z}_{\hat{\mathcal{S}}(\mathcal{I}')}))$ by $H(Z_{\mathcal{S}'} | Z_{\hat{\mathcal{S}}(\mathcal{I}')}))$ and $\overline{H}(\mathbf{Z}_{\mathcal{D}'} | \mathbf{Y}_j, \mathbf{Z}_{\mathcal{D}(j) \setminus \mathcal{D}'})$ by $H(Z_{\mathcal{D}'} | Y_j, Z_{\mathcal{D}(j) \setminus \mathcal{D}'})$ to obtain a single-letter characterized *achievable* region. By considering an extension of the problem (super problem [29]) with zero rate auxiliary messages, which is analogous to introducing auxiliary random variables, we can obtain a possible extension of the single-letter characterized achievable region, where the specific cases are given in [26] [29] [35]. In [35], we find a multi-letter characterized capacity region by using the reduction technique introduced in [9, Problems 14.22-14.24] [15]. It should be noted here that the characterization presented in this paper provides a potentially larger achievable region when channels and auxiliary sources are restricted to being stationary and memoryless.

IV. JOINT DISTRIBUTION CONSISTENT WITH ACCESS STRUCTURE

Before proving Theorem 1, we investigate the possible joint distribution of random variables consistent with access structure \mathcal{A} .

Let \mathcal{I}' be a subset of \mathcal{I} . We refer to $Z_{\bigcap_{i \in \mathcal{I}'} \mathcal{S}(i)}^n$ as *common sources for Encoders \mathcal{I}'* , to $Z_{\mathcal{S}(\mathcal{I}')}^n$ as *private sources for Encoders \mathcal{I}'* , and to $Z_{[\bigcap_{i \in \mathcal{I}'} \mathcal{S}(i)] \cap \mathcal{S}(\mathcal{I}')^c}^n$ as *public sources for Encoders \mathcal{I}'* .

Here, let us consider the following problem. Encoder i has access to the set of random variables $Z_{\mathcal{S}(i)}^n \equiv \{Z_s^n\}_{s \in \mathcal{S}(i)}$, where Z_s^n corresponds to message $M_s^{(n)}$ but random variables $\{Z_s^n\}_{s \in \mathcal{S}}$ are allowed to be correlated on condition that private sources for Encoders \mathcal{I}' are allowed to be correlated with other sources only through their public sources for all $\mathcal{I}' \in \mathfrak{I}$; that is, they satisfy the following Markov relation

$$Z_{[\bigcap_{i \in \mathcal{I}'} \mathcal{S}(i)]^c}^n \leftrightarrow Z_{[\bigcap_{i \in \mathcal{I}'} \mathcal{S}(i)] \cap \mathcal{S}(\mathcal{I}')^c}^n \leftrightarrow Z_{\mathcal{S}(\mathcal{I}')}^n \quad (13)$$

for all $\mathcal{I}' \in \mathfrak{I}$. It should be noted that common sources for Encoders \mathcal{I}' are allowed to be correlated. Other encoders may have access to the public sources for Encoders \mathcal{I}' but do not have access to the private sources for Encoders \mathcal{I}' . In this situation, we specify the joint distribution of $\{Z_s^n\}_{s \in \mathcal{S}}$. The following lemma solves this problem.

Lemma 7: The following two statements are equivalent.

- Joint source $Z_{\mathcal{S}}^n$ satisfies (13) for all $\mathcal{I}' \in \mathfrak{I}$.
- The joint distribution $\mu_{Z_{\mathcal{S}}^n}$ of $Z_{\mathcal{S}}^n$ is given by (8).

Proof: We have

$$\begin{aligned}
\left[\bigcap_{i \in \mathcal{I}'} \mathcal{S}(i) \right] \cap \mathcal{S}(\mathcal{I}')^c &= [\mathcal{S}(\mathcal{I}') \cup \dot{\mathcal{S}}(\mathcal{I}')] \cap \mathcal{S}(\mathcal{I}')^c \\
&= [\mathcal{S}(\mathcal{I}') \cap \mathcal{S}(\mathcal{I}')^c] \cup [\dot{\mathcal{S}}(\mathcal{I}') \cap \mathcal{S}(\mathcal{I}')^c] \\
&= \dot{\mathcal{S}}(\mathcal{I}') \cap \mathcal{S}(\mathcal{I}')^c \\
&= [\dot{\mathcal{S}}(\mathcal{I}') \cap \mathcal{S}(\mathcal{I}')^c] \cup [\dot{\mathcal{S}}(\mathcal{I}') \cap \mathcal{S}(\mathcal{I}')] \\
&= \dot{\mathcal{S}}(\mathcal{I}'),
\end{aligned} \tag{14}$$

where the first equality comes from Lemma 4, and the fourth equality comes from Lemma 3. Then we have the fact that the second statement implies the first statement.

In the following, we show that the first statement implies the second statement. From Lemma 4 and (14), we have the fact that condition (13) is equivalent to

$$Z_{[\mathcal{S}(\mathcal{I}') \cup \dot{\mathcal{S}}(\mathcal{I}')]^c}^n \leftrightarrow Z_{\dot{\mathcal{S}}(\mathcal{I}')}^n \leftrightarrow Z_{\mathcal{S}(\mathcal{I}')}^n. \tag{15}$$

Then we have

$$\begin{aligned}
\mu_{Z_{\mathcal{S}}^n}(\mathbf{z}_{\mathcal{S}}) &= \prod_{k=1}^{|\mathcal{J}|} \mu_{Z_{\mathcal{S}(\mathcal{I}_k)}^n | Z_{\bigcup_{k'=1}^{k-1} \mathcal{S}(\mathcal{I}_{k'})}^n} (\mathbf{z}_{\mathcal{S}(\mathcal{I}_k)} | \mathbf{z}_{\mathcal{S}(\mathcal{I}_{k'})}) \\
&= \prod_{k=1}^{|\mathcal{J}|} \mu_{Z_{\mathcal{S}(\mathcal{I}_k)}^n | Z_{\dot{\mathcal{S}}(\mathcal{I}_k)}^n} (\mathbf{z}_{\mathcal{S}(\mathcal{I}_k)} | \mathbf{z}_{\dot{\mathcal{S}}(\mathcal{I}_k)}) \\
&= \prod_{\mathcal{I}' \in \mathcal{J}} \mu_{Z_{\mathcal{S}(\mathcal{I}')}^n | Z_{\dot{\mathcal{S}}(\mathcal{I}')}^n} (\mathbf{z}_{\mathcal{S}(\mathcal{I}')} | \mathbf{z}_{\dot{\mathcal{S}}(\mathcal{I}')}),
\end{aligned} \tag{16}$$

where $\{\mathcal{I}_k\}_{k=1}^{|\mathcal{J}|}$ is defined at the end of Section II, the first equality comes from Lemmas 1 and 2, and the second equality comes from (5) and (15). \blacksquare

V. PROOF OF THE CONVERSE

In the following, we prove $\mathcal{R}_{\text{OP}} \subset \mathcal{R}_{\text{IT}}$.

Assume that $\{R_s\}_{s \in \mathcal{S}} \in \mathcal{R}_{\text{OP}}$ and let $r_s \equiv 0$ for each $s \in \mathcal{S}$. Then there is a code $\{(\{\Phi_i^{(n)}\}_{i \in \mathcal{I}}, \{\Psi_j^{(n)}\}_{j \in \mathcal{J}})\}_{n=1}^{\infty}$ that satisfies (6) and (7) for all $i \in \mathcal{I}$ and $j \in \mathcal{J}$.

For $j \in \mathcal{J}$ and $\mathcal{D}' \subset \mathcal{D}(j)$, let $\Psi_{j, \mathcal{D}'}^{(n)}(Y_j^n)$ be the projection of $\Psi_j^{(n)}(Y_j^n)$ on $\mathcal{M}_{\mathcal{D}'}^{(n)}$. Then we have

$$\lim_{n \rightarrow \infty} P(\Psi_{j, \mathcal{D}'}^{(n)}(Y_j^n) \neq M_{\mathcal{D}'}^{(n)}) = 0$$

from (7). From Lemmas 11 and 12 in Appendix B, we have

$$\begin{aligned}
\overline{H}(\mathbf{M}_{\mathcal{D}'} | \mathbf{Y}_j, \mathbf{M}_{\mathcal{D}(j) \setminus \mathcal{D}'}) &\leq \overline{H}(\mathbf{M}_{\mathcal{D}'} | \mathbf{Y}_j) \\
&= 0.
\end{aligned} \tag{17}$$

From (17) and $\overline{H}(\mathbf{M}_{\mathcal{D}'} | \mathbf{Y}_j, \mathbf{M}_{\mathcal{D}(j) \setminus \mathcal{D}'}) \geq 0$, we have

$$\overline{H}(\mathbf{M}_{\mathcal{D}'} | \mathbf{Y}_j, \mathbf{M}_{\mathcal{D}(j) \setminus \mathcal{D}'}) = 0.$$

Then it is clear that

$$\sum_{s \in \mathcal{D}'} r_s \geq \overline{H}(\mathbf{M}_{\mathcal{D}'} | \mathbf{Y}_j, \mathbf{M}_{\mathcal{D}(j) \setminus \mathcal{D}'}) \tag{18}$$

for all (j, \mathcal{D}') satisfying $j \in \mathcal{J}$ and $\emptyset \neq \mathcal{D}' \subset \mathcal{D}(j)$.

Assume that $\mathcal{I}' \in \mathcal{J}$ and $\mathcal{S}' \subset \mathcal{S}(\mathcal{I}')$. Since the distribution $\mu_{M_{\mathcal{S}'}}^{(n)}$ is uniform on $\mathcal{M}_{\mathcal{S}'}^{(n)}$, we have the fact that

$$\begin{aligned}
\frac{1}{n} \log_2 \frac{1}{\mu_{M_{\mathcal{S}'}}^{(n)}(\mathbf{m}_{\mathcal{S}'})} &= \frac{1}{n} \log_2 |\mathcal{M}_{\mathcal{S}'}^{(n)}| \\
&\geq \liminf_{n \rightarrow \infty} \frac{1}{n} \log_2 |\mathcal{M}_{\mathcal{S}'}^{(n)}| - \delta
\end{aligned} \tag{19}$$

for all $\mathbf{m}_{S'} \in \mathcal{M}_{S'}^{(n)}$, $\delta > 0$, and all sufficiently large n . This implies that

$$\lim_{n \rightarrow \infty} \mathbb{P} \left(\frac{1}{n} \log_2 \frac{1}{\mu_{M_{S'}^{(n)}}(M_{S'}^{(n)})} < \liminf_{n \rightarrow \infty} \frac{1}{n} \log_2 |\mathcal{M}_{S'}^{(n)}| - \delta \right) = 0. \quad (20)$$

Let $M_{S'} \equiv \{M_{S'}^{(n)}\}_{n=1}^{\infty}$ be a general source. Then we have

$$\begin{aligned} \liminf_{n \rightarrow \infty} \frac{1}{n} \log_2 |\mathcal{M}_{S'}^{(n)}| - \delta &\leq \underline{H}(M_{S'}) \\ &= \underline{H}(M_{S'} | M_{\hat{\mathcal{S}}(\mathcal{I}')}), \end{aligned} \quad (21)$$

where the inequality comes from (20) and the definition of $\underline{H}(M_{S'})$ in Appendix B, and the equality comes from Lemma 9 in Appendix B and the fact that Lemma 3 implies that $M_{S'}^{(n)}$ and $M_{\hat{\mathcal{S}}(\mathcal{I}')}^{(n)}$ are independent. We have

$$\begin{aligned} \sum_{s \in S'} [R_s + r_s] &= \sum_{s \in S'} R_s \\ &\leq \liminf_{n \rightarrow \infty} \frac{\log_2 |\mathcal{M}_{S'}^{(n)}|}{n} \\ &\leq \underline{H}(M_{S'} | M_{\hat{\mathcal{S}}(\mathcal{I}')}) + \delta, \end{aligned} \quad (22)$$

where the equality comes from the fact that $r_s = 0$ for all $s \in \mathcal{S}$, the first inequality comes from (6), and the second inequality comes from (21). By letting $\delta \rightarrow 0$, we have

$$\sum_{s \in S'} [R_s + r_s] \leq \underline{H}(M_{S'} | M_{\hat{\mathcal{S}}(\mathcal{I}')}) \quad (23)$$

for all (\mathcal{I}', S') satisfying $\mathcal{I}' \in \mathcal{I}$ and $\emptyset \neq S' \subset \mathcal{S}(\mathcal{I}')$. Let $\mathbf{Z}_s \equiv M_s$ for each $s \in \mathcal{S}$ and $\mathbf{X}_i \equiv \{\Phi_i^{(n)}(M_{\mathcal{S}(i)}^{(n)})\}_{n=1}^{\infty}$ for each $i \in \mathcal{I}$. From Lemma 7 and the fact that $Z_{\mathcal{S}}^n$ satisfies (13) for all $\mathcal{I}' \in \mathcal{I}$, the joint distribution of $(Z_{\mathcal{S}}^n, X_{\mathcal{I}}^n, Y_{\mathcal{J}}^n)$ is allowed to be given by (8) and (12). Then, from (18) and (23), we have $\{R_s\}_{s \in \mathcal{S}} \in \mathcal{R}_{\text{IT}}$, which implies $\mathcal{R}_{\text{OP}} \subset \mathcal{R}_{\text{IT}}$. ■

VI. CONSTRUCTION OF CHANNEL CODE

This section introduces a channel code based on the idea drawn from [27] [30] [31] [33] [36]; a similar idea is found in [9, Theorem 14.3] [40].

For each $s \in \mathcal{S}$, let us introduce a set $\mathcal{C}_s^{(n)}$ and two functions $f_s : \mathcal{Z}_s^n \rightarrow \mathcal{C}_s^{(n)}$ and $g_s : \mathcal{Z}_s^n \rightarrow \mathcal{M}_s^{(n)}$, where the dependence of f_s and g_s on n is omitted. We can use sparse matrices as functions f_s and g_s by assuming that \mathcal{Z}_s^n , $\mathcal{C}_s^{(n)}$, and $\mathcal{M}_s^{(n)}$ are linear spaces on the same finite field. For a given $S' \subset \mathcal{S}$ and $f_{S'} \equiv \{f_s\}_{s \in S'}$, $g_{S'} \equiv \{g_s\}_{s \in S'}$, $\mathbf{c}_{S'} \equiv \{\mathbf{c}_s\}_{s \in S'}$, $\mathbf{m}_{S'} \equiv \{\mathbf{m}_s\}_{s \in S'}$, let

$$\begin{aligned} \mathfrak{C}_{f_{S'}}(\mathbf{c}_{S'}) &\equiv \{\mathbf{z}_{S'} : f_s(\mathbf{z}_s) = \mathbf{c}_s \text{ for all } s \in S'\} \\ \mathfrak{C}_{(f,g)_{S'}}(\mathbf{c}_{S'}, \mathbf{m}_{S'}) &\equiv \{\mathbf{z}_{S'} : f_s(\mathbf{z}_s) = \mathbf{c}_s, g_s(\mathbf{z}_s) = \mathbf{m}_s \text{ for all } s \in S'\}, \end{aligned}$$

where $\mathbf{z}_{S'} \equiv \{\mathbf{z}_s\}_{s \in S'}$ and $(f, g)_{S'}(\mathbf{z}) \equiv \{(f_s(\mathbf{z}), g_s(\mathbf{z}))\}_{s \in S'}$. We define $\chi(\mathbf{S})$ as

$$\chi(\mathbf{S}) \equiv \begin{cases} 1 & \text{if statement } \mathbf{S} \text{ is true} \\ 0 & \text{if statement } \mathbf{S} \text{ is false.} \end{cases}$$

We fix two sets of functions $f_{\mathcal{S}}$ and $g_{\mathcal{S}}$, and a set of vectors $\mathbf{c}_{\mathcal{S}}$ such that they are available for constructing encoders and decoders. For each $i \in \mathcal{I}$, Encoder i uses $f_{\mathcal{S}(i)}$, $g_{\mathcal{S}(i)}$, and $\mathbf{c}_{\mathcal{S}(i)}$. For each $j \in \mathcal{J}$, Decoder j uses $f_{\mathcal{D}(j)}$, $g_{\mathcal{D}(j)}$, and $\mathbf{c}_{\mathcal{D}(j)}$. We fix the probability distribution $\mu_{Z_{\mathcal{S}}^n} \equiv \{\mu_{Z_s^n}\}_{s \in \mathcal{S}}$ given by (8) and conditional probability distributions $\{\mu_{X_i^n | Z_{\mathcal{S}(i)}^n}\}_{i \in \mathcal{I}}$.

We define a constrained-random-number generator for encoder use. For given $\mathcal{I}' \in \mathcal{I}$, $\mathbf{z}_{\hat{\mathcal{S}}(\mathcal{I}')}^n$, $\mathbf{c}_{\mathcal{S}(\mathcal{I}')}^n$, and $\mathbf{m}_{\mathcal{S}(\mathcal{I}')}^n$, let $\tilde{Z}_{\mathcal{S}(\mathcal{I}')}^n$ be a random variable corresponding to the distribution

$$\begin{aligned} &\mu_{\tilde{Z}_{\mathcal{S}(\mathcal{I}')}^n | \tilde{Z}_{\hat{\mathcal{S}}(\mathcal{I}')}^n, \mathcal{C}_{\mathcal{S}(\mathcal{I}')}^{(n)}, M_{\mathcal{S}(\mathcal{I}')}^{(n)}}(\mathbf{z}_{\mathcal{S}(\mathcal{I}')} | \mathbf{z}_{\hat{\mathcal{S}}(\mathcal{I}')}^n, \mathbf{c}_{\mathcal{S}(\mathcal{I}')}^n, \mathbf{m}_{\mathcal{S}(\mathcal{I}')}^n) \\ &\equiv \frac{\mu_{Z_{\mathcal{S}(\mathcal{I}')}^n | Z_{\hat{\mathcal{S}}(\mathcal{I}')}^n}(\mathbf{z}_{\mathcal{S}(\mathcal{I}')} | \mathbf{z}_{\hat{\mathcal{S}}(\mathcal{I}')}^n) \chi(\mathbf{z}_{\mathcal{S}(\mathcal{I}')} \in \mathfrak{C}_{(f,g)_{\mathcal{S}(\mathcal{I}')}}(\mathbf{c}_{\mathcal{S}(\mathcal{I}')}^n, \mathbf{m}_{\mathcal{S}(\mathcal{I}')}^n))}{\mu_{Z_{\mathcal{S}(\mathcal{I}')}^n | Z_{\hat{\mathcal{S}}(\mathcal{I}')}^n}(\mathfrak{C}_{(f,g)_{\mathcal{S}(\mathcal{I}')}}(\mathbf{c}_{\mathcal{S}(\mathcal{I}')}^n, \mathbf{m}_{\mathcal{S}(\mathcal{I}')}^n) | \mathbf{z}_{\hat{\mathcal{S}}(\mathcal{I}')}^n)}, \end{aligned} \quad (24)$$

where $\{\hat{\mathcal{S}}(\mathcal{I}')\}_{\mathcal{I}' \in \mathcal{I}}$ is obtained before encoding by employing Algorithm 1. We assume that the constrained-random number generator outputs the same $\mathbf{z}_{\mathcal{S}(\mathcal{I}')}^n$ to all encoders that have access to message $\mathbf{m}_{\mathcal{S}(\mathcal{I}')}^n$ for a given $\mathcal{I}' \in \mathcal{I}$. Then Encoder i

Algorithm 1 Construction of $\{\hat{\mathcal{S}}(\mathcal{I}^k)\}_{k=1}^{|\mathcal{J}|}$

Input: List $\mathcal{J} \equiv \{\mathcal{I}_k\}_{k=1}^{|\mathcal{J}|}$, which is sorted so that $\mathcal{I}_k \subsetneq \mathcal{I}_{k'}$ implies $k' < k$ for all $k, k' \in \{1, 2, \dots, |\mathcal{J}|\}$.
List $\{\mathcal{S}(\mathcal{I}_k)\}_{k=1}^{|\mathcal{J}|}$.
Output: List $\{\hat{\mathcal{S}}(\mathcal{I}_k)\}_{k=1}^{|\mathcal{J}|}$.

- 1: **for** $k \in \{1, \dots, |\mathcal{J}|\}$ **do**
- 2: $\hat{\mathcal{S}}(\mathcal{I}_k) \leftarrow \emptyset$
- 3: **for** $k' \in \{1, \dots, k-1\}$ **do**
- 4: **if** $\mathcal{I}_{k'} \supsetneq \mathcal{I}_k$ **then** $\hat{\mathcal{S}}(\mathcal{I}_k) \leftarrow \hat{\mathcal{S}}(\mathcal{I}_k) \cup \mathcal{S}(\mathcal{I}_{k'})$.
- 5: **end for**
- 6: **end for**

Algorithm 2 Generation of $\mathbf{z}_{\mathcal{S}(i)}$

Input: Lists $\{\mathcal{S}(\mathcal{I}_k)\}_{k=1}^{|\mathcal{J}|}$, $\{\hat{\mathcal{S}}(\mathcal{I}_k)\}_{k=1}^{|\mathcal{J}|}$, $\mathbf{c}_{\mathcal{S}(i)} \equiv \{\mathbf{c}_s\}_{s \in \mathcal{S}(i)}$, and $\mathbf{m}_{\mathcal{S}(i)} \equiv \{\mathbf{m}_s\}_{s \in \mathcal{S}(i)}$.
Output: Vectors $\mathbf{z}_{\mathcal{S}(i)} \equiv \{\mathbf{z}_s\}_{s \in \mathcal{S}(i)}$.

- 1: **for** $k \in \{1, \dots, |\mathcal{J}|\}$ **do**
- 2: **if** $i \in \mathcal{I}_k$ **then** generate $\mathbf{z}_{\mathcal{S}(\mathcal{I}_k)}$ subject to the distribution $\mu_{\tilde{\mathcal{Z}}_{\hat{\mathcal{S}}(\mathcal{I}_k)}^n | Z_{\hat{\mathcal{S}}(\mathcal{I}_k)}^n} \mathcal{C}_{\mathcal{S}(\mathcal{I}_k)}^{(n)} M_{\mathcal{S}(\mathcal{I}_k)}^{(n)}(\cdot | \mathbf{z}_{\hat{\mathcal{S}}(\mathcal{I}_k)}, \mathbf{c}_{\mathcal{S}(\mathcal{I}_k)}, \mathbf{m}_{\mathcal{S}(\mathcal{I}_k)})$.
- 3: **end for**

generates $\mathbf{z}_{\mathcal{S}(i)}$ by using Algorithm 2 based on Lemma 6 and (8), where (5) implies that Encoder i has obtained $\mathbf{z}_{\hat{\mathcal{S}}(\mathcal{I}_k)}$ at Line 2 of Algorithm 2. We define encoding function $\Phi_i^{(n)} : \mathcal{M}_{\mathcal{S}(i)}^{(n)} \rightarrow \mathcal{X}_i^n$ as

$$\Phi_i^{(n)}(\mathbf{m}_{\mathcal{S}(i)}) \equiv W_i^n(\tilde{\mathcal{Z}}_{\mathcal{S}(i)}^n),$$

where the encoder claims an error when $\mu_{Z_{\hat{\mathcal{S}}(\mathcal{I}^k)}^n | Z_{\hat{\mathcal{S}}(\mathcal{I}^k)}^n}(\mathcal{C}_{(f,g)_{\mathcal{S}(\mathcal{I}^k)}}(\mathbf{c}_{\mathcal{S}(\mathcal{I}^k)}, \mathbf{m}_{\mathcal{S}(\mathcal{I}^k)}) | \mathbf{z}_{\hat{\mathcal{S}}(\mathcal{I}^k)}) = 0$ and W_i^n is the channel corresponding to the conditional probability distribution $\mu_{X_i^n | Z_{\hat{\mathcal{S}}(\mathcal{I}^k)}^n}$. The flow of vectors is illustrated in Fig. 5.

Remark 3: By using the interval algorithm introduced in [27], encoders can share the same output of a given constrained-random-number generator by sharing a fixed real number belonging to $[0, 1]$.

We define a constrained-random-number generator used by Decoder j . For each $j \in \mathcal{J}$, Decoder j generates $\hat{\mathbf{z}}_{\mathcal{D}(j)} \equiv \{\hat{\mathbf{z}}_s\}_{s \in \mathcal{D}(j)}$ by using a constrained-random-number generator whose distribution is given as

$$\mu_{\hat{\mathbf{z}}_{\mathcal{D}(j)}^n | \mathcal{C}_{\mathcal{D}(j)}^{(n)} Y_j^n}(\hat{\mathbf{z}}_{\mathcal{D}(j)} | \mathbf{c}_{\mathcal{D}(j)}, \mathbf{y}_j) \equiv \frac{\mu_{Z_{\mathcal{D}(j)}^n | Y_j^n}(\hat{\mathbf{z}}_{\mathcal{D}(j)} | \mathbf{y}_j) \chi(f_{\mathcal{D}(j)}(\hat{\mathbf{z}}_{\mathcal{D}(j)}) = \mathbf{c}_{\mathcal{D}(j)})}{\mu_{Z_{\mathcal{D}(j)}^n | Y_j^n}(\mathcal{C}_{\mathcal{D}(j)} | \mathbf{y}_j)} \quad (25)$$

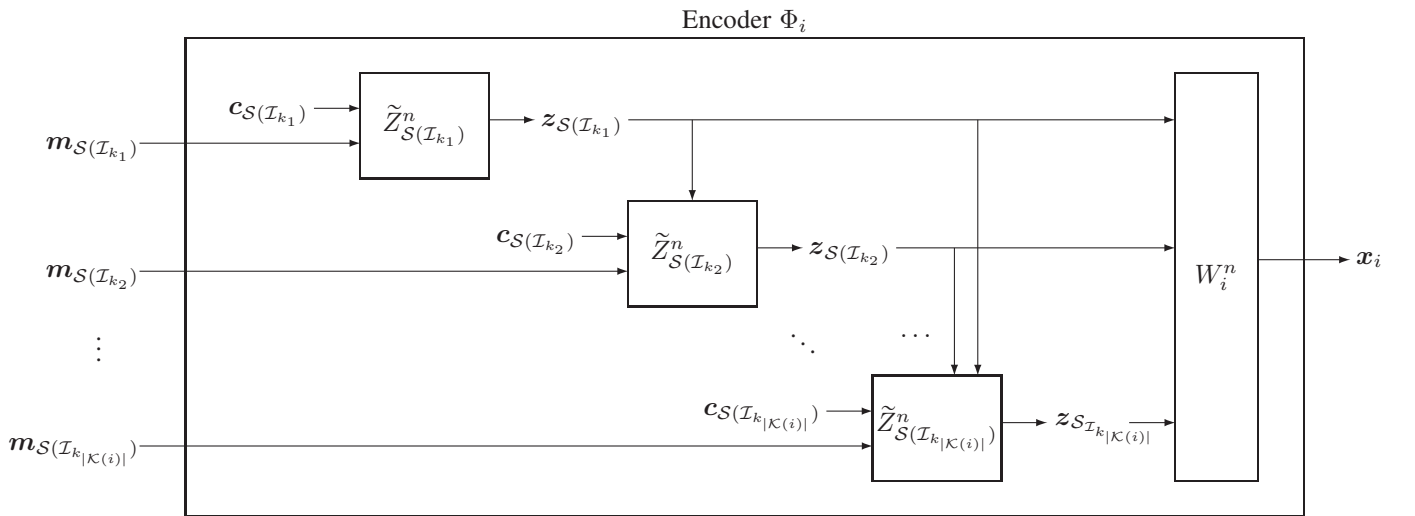


Fig. 5. Construction of Encoder i : It is assumed that $\mathcal{K}(i) \equiv \{k : i \in \mathcal{I}_k\} \equiv \{k_1, k_2, \dots, k_{|\mathcal{K}(i)|}\}$ satisfies $k_1 < k_2 < \dots < k_{|\mathcal{K}(i)|}$. Arrows from $\mathbf{z}_{\mathcal{S}(\mathcal{I}_{k'})}$ to $\tilde{\mathcal{Z}}_{\mathcal{S}(\mathcal{I}_k)}^n$ are ignored when $\mathcal{I}_k \not\supsetneq \mathcal{I}_{k'}$ is not satisfied.

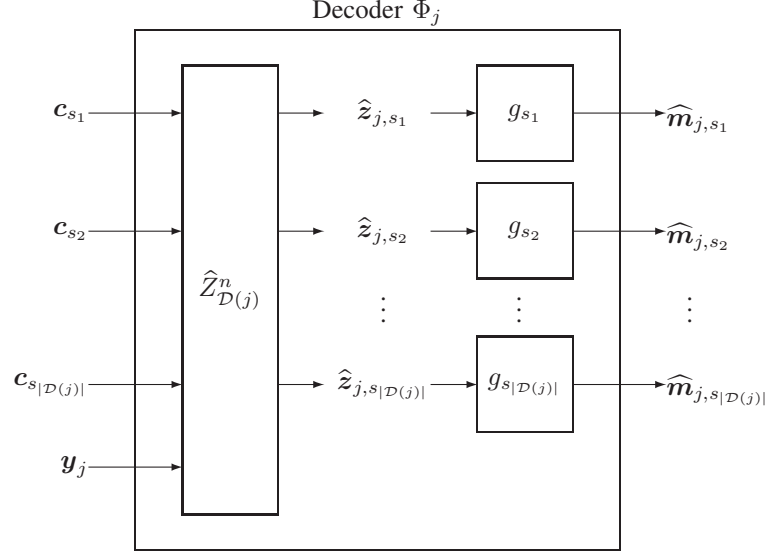


Fig. 6. Construction of Decoder j : It is assumed that $\mathcal{D}(j) \equiv \{s_1, s_2, \dots, s_{|\mathcal{D}(j)|}\}$.

for given vector $\mathbf{c}_{\mathcal{D}(j)}$ and side information $\mathbf{y}_j \in \mathcal{Y}_j^n$, where $f_{\mathcal{D}(j)}(\hat{\mathbf{z}}_{\mathcal{D}(j)}) \equiv \{f_s(\hat{\mathbf{z}}_s)\}_{s \in \mathcal{D}(j)}$. We define the decoding function $\Psi_j^{(n)} : \mathcal{Y}_j^n \rightarrow \mathcal{M}_{\mathcal{D}(j)}^{(n)}$ as

$$\Psi_j^{(n)}(\mathbf{y}_j) \equiv \{g_s(\hat{\mathbf{z}}_{j,s})\}_{s \in \mathcal{D}(j)}.$$

The flow of vectors is illustrated in Fig. 6. It should be noted here that $\hat{\mathbf{Z}}_{\mathcal{D}(j)}^n$ is analogous to the decoder reproducing the output $\mathbf{z}_{\mathcal{D}(j)} \equiv \{z_s\}_{s \in \mathcal{D}(j)}$ of correlated sources, where $\mathbf{c}_s \equiv f_s(\mathbf{z}_s)$ corresponds to the codeword by using encoding function f_s .

It should be noted that, for sources that are memoryless, the tractable approximation algorithms for a constrained-random-number generator summarized in [34] can be used; the maximum a posteriori probability decoder is optimal but may be intractable.

Let

$$r_s \equiv \frac{\log |\mathcal{C}_s^{(n)}|}{n}$$

$$R_s \equiv \frac{\log |\mathcal{M}_s^{(n)}|}{n},$$

where R_s represents the rate of Message s . Let $\hat{\mathbf{M}}_{\mathcal{D}(j)}^{(n)} \equiv \Psi_j^{(n)}(\mathbf{Y}_j^n)$ and $\text{Error}(f_S, g_S, \mathbf{c}_S)$ be the error probability defined as

$$\text{Error}(f_S, g_S, \mathbf{c}_S) \equiv \mathbb{P} \left(\begin{array}{l} \hat{M}_{j,s}^{(n)} \neq M_s^{(n)} \text{ for some } j \in \mathcal{J}, s \in \mathcal{D}(j), \\ \text{or } \mu_{Z_{\mathcal{S}(\mathcal{I}')}^n | Z_{\hat{\mathcal{S}}(\mathcal{I}')}^n}(\mathcal{C}_{(f,g)_{\mathcal{S}(\mathcal{I}')}}(\mathbf{c}_{\mathcal{S}(\mathcal{I}')}), M_{\mathcal{S}(\mathcal{I}')}^{(n)}) | Z_{\hat{\mathcal{S}}(\mathcal{I}')}^n) = 0 \text{ for some } \mathcal{I}' \in \mathcal{I} \end{array} \right). \quad (26)$$

The following theorem, implies the achievability part, $\mathcal{R}_{\text{IT}} \subset \mathcal{R}_{\text{OP}}$, of Theorem 1. The proof is given in Section VII.

Theorem 2: For a given access structure $(\mathcal{S}, \mathcal{I}, \mathcal{A})$, let us define \mathcal{J} , $\mathcal{S}(\mathcal{I}')$, and $\hat{\mathcal{S}}(\mathcal{I}')$ as described in Section II. Let us assume that $\{(r_s, R_s)\}_{s \in \mathcal{S}}$ satisfies

$$R_s \geq 0 \quad (27)$$

$$\sum_{s \in \mathcal{S}'} [R_s + r_s] < \underline{H}(\mathbf{Z}_{\mathcal{S}'} | \mathbf{Z}_{\hat{\mathcal{S}}(\mathcal{I}')}^n) \quad (28)$$

$$\sum_{s \in \mathcal{D}'} r_s > \overline{H}(\mathbf{Z}_{\mathcal{D}'} | \mathbf{Y}_j, \mathbf{Z}_{\mathcal{D}(j) \setminus \mathcal{D}'}) \quad (29)$$

for all $(\mathcal{I}', \mathcal{S}', j, \mathcal{D}')$ satisfying $\mathcal{I}' \in \mathcal{I}$, $\emptyset \neq \mathcal{S}' \subset \mathcal{S}(\mathcal{I}')$, $j \in \mathcal{J}$, and $\emptyset \neq \mathcal{D}' \subset \mathcal{D}(j)$, where the joint distribution of $(Z_{\mathcal{S}}^n, X_{\mathcal{I}}^n, Y_j^n)$ is given by (8) and (12). Then for all $\delta > 0$ and all sufficiently large n there are functions (sparse matrices) f_S, g_S , and a set of vectors \mathbf{c}_S such that $\text{Error}(f_S, g_S, \mathbf{c}_S) \leq \delta$.

Remark 4: It should be noted that for specific $\mu_{Z_{\mathcal{S}}^n, X_{\mathcal{I}}^n, Y_j^n}$ and $\{R_s\}_{s \in \mathcal{S}}$ we can find $\{r_s\}_{s \in \mathcal{S}}$ satisfying (28) and (29) by employing linear programming whenever they exist.

VII. PROOF OF THEOREM 2

In the following, we omit the dependence of C , M , X , Y , and Z on n .

Let us assume that ensembles $(\mathcal{F}_s, p_{\mathcal{F}_s})$ and $(\mathcal{G}_s, p_{\mathcal{G}_s})$, where their dependence on n is omitted, have the hash property ((48) described in Appendix C) for every $s \in \mathcal{S}$. For each $s \in \mathcal{S}$, let

$$\begin{aligned} \mathcal{C}_s &\equiv \text{Im}\mathcal{F}_s \\ &\equiv \bigcup_{f \in \mathcal{F}} \{f(\mathbf{z}) : \mathbf{z} \in \mathcal{Z}^n\} \\ \mathcal{M}_s &\equiv \text{Im}\mathcal{G}_s \\ &\equiv \bigcup_{g \in \mathcal{G}} \{g(\mathbf{z}) : \mathbf{z} \in \mathcal{Z}^n\}, \end{aligned}$$

where we omit the dependence of \mathcal{C}_s and \mathcal{M}_s on n . We use the fact without notice that

$$\{\mathfrak{C}_{(f,g)_{S'}}(\mathbf{c}_{S'}, \mathbf{m}_{S'})\}_{\mathbf{c}_{S'} \in \mathcal{C}_{S'}, \mathbf{m}_{S'} \in \mathcal{M}_{S'}}$$

forms a partition of $\mathcal{Z}_{S'}^n$ for a given $S' \subset \mathcal{S}$. For a given $k \in \{1, 2, \dots, |\mathcal{J}|\}$, let us define

$$\begin{aligned} \mathcal{S}_k &\equiv \mathcal{S}(\mathcal{I}_k) \\ \hat{\mathcal{S}}_k &\equiv \hat{\mathcal{S}}(\mathcal{I}_k) \\ \mathcal{S}^k &\equiv \bigcup_{k'=1}^k \mathcal{S}(\mathcal{I}_{k'}), \end{aligned}$$

where we $\{\mathcal{I}_k\}_{k=1}^{|\mathcal{J}|}$ is defined at the end of Section II. We use the fact without notice that $\{\mathcal{S}_k\}_{k=1}^{|\mathcal{J}|}$ forms a partition of \mathcal{S} , where it is shown by Lemmas 1 and 2. We use the fact without notice that \mathcal{S}_k and $\hat{\mathcal{S}}_k$ are disjoint, where it is shown by Lemma 3. Since (5) implies

$$\begin{aligned} \hat{\mathcal{S}}_k &\subset \bigcup_{k'=1}^{k-1} \mathcal{S}(\mathcal{I}_{k'}) \\ &= \mathcal{S}^{k-1}, \end{aligned} \quad (30)$$

we have

$$\mu_{Z_{\mathcal{S}_k} | Z_{\mathcal{S}^{k-1}}} = \mu_{Z_{\mathcal{S}_k} | Z_{\hat{\mathcal{S}}_k}} \quad (31)$$

from (8).

Let

$$\begin{aligned} \mathcal{E}((f, g)_{\mathcal{S}_k}, \mathbf{c}_{\mathcal{S}_k}) &\equiv \left\{ \mathbf{m}_{\mathcal{S}_k} : \mu_{Z_{\mathcal{S}_k} | Z_{\hat{\mathcal{S}}_k}}(\mathfrak{C}_{(f,g)_{\mathcal{S}_k}}(\mathbf{c}_{\mathcal{S}_k}, \mathbf{m}_{\mathcal{S}_k}) | \mathbf{z}_{\hat{\mathcal{S}}_k}) = 0 \text{ for some } \mathbf{z}_{\hat{\mathcal{S}}_k} \in \mathcal{Z}_{\hat{\mathcal{S}}_k}^n \right\} \\ \mathcal{E}((f, g)_{\mathcal{S}}, \mathbf{c}_{\mathcal{S}}) &\equiv \left\{ \mathbf{m}_{\mathcal{S}} : \mathbf{m}_{\mathcal{S}_k} \in \mathcal{E}((f, g)_{\mathcal{S}_k}, \mathbf{c}_{\mathcal{S}_k}) \text{ for some } k \in \{1, \dots, |\mathcal{J}|\} \right\} \\ \mathcal{E}(g_{\mathcal{S}}, \mathbf{m}_{\mathcal{S}}) &\equiv \left\{ \hat{\mathbf{z}}_{\mathcal{D}(\mathcal{J})} : g_s(\hat{\mathbf{z}}_{j,s}) \neq \mathbf{m}_s \text{ for some } j \in \mathcal{J}, s \in \mathcal{D}(j) \right\}, \end{aligned}$$

where $\hat{\mathbf{z}}_{\mathcal{D}(\mathcal{J})} \equiv \{\hat{\mathbf{z}}_{j,s}\}_{j \in \mathcal{J}, s \in \mathcal{D}(j)}$. It follows that error probability $\text{Error}(f_{\mathcal{S}}, g_{\mathcal{S}}, \mathbf{c}_{\mathcal{S}})$ is evaluated as

$$\begin{aligned} \text{Error}(f_{\mathcal{S}}, g_{\mathcal{S}}, \mathbf{c}_{\mathcal{S}}) &\leq \sum_{\mathbf{m}_{\mathcal{S}} \in \mathcal{E}((f,g)_{\mathcal{S}}, \mathbf{c}_{\mathcal{S}})} \prod_{s \in \mathcal{S}} \frac{1}{|\mathcal{M}_s|} \\ &+ \sum_{\substack{\mathbf{m}_{\mathcal{S}} \notin \mathcal{E}((f,g)_{\mathcal{S}}, \mathbf{c}_{\mathcal{S}}), \mathbf{z}_{\mathcal{S}} \in \mathfrak{C}_{(f,g)_{\mathcal{S}}}(\mathbf{c}_{\mathcal{S}}, \mathbf{m}_{\mathcal{S}}), \mathbf{x}_{\mathcal{I}} \in \mathcal{X}_{\mathcal{I}}^n, \\ \mathbf{y}_{\mathcal{J}} \in \mathcal{Y}_{\mathcal{J}}^n, \hat{\mathbf{z}}_{\mathcal{D}(\mathcal{J})} \in \mathcal{E}(g_{\mathcal{S}}, \mathbf{m}_{\mathcal{S}})}} \left[\prod_{j \in \mathcal{J}} \mu_{\hat{\mathbf{z}}_{\mathcal{D}(j)} | \mathcal{C}_{\mathcal{D}(j)} Y_j}(\hat{\mathbf{z}}_{\mathcal{D}(j)} | \mathbf{c}_{\mathcal{D}(j)}, \mathbf{y}_j) \right] \mu_{Y_{\mathcal{J}} | X_{\mathcal{I}}}(\mathbf{y}_{\mathcal{J}} | \mathbf{x}_{\mathcal{I}}) \\ &\cdot \left[\prod_{i \in \mathcal{I}} \mu_{X_i | Z_{\mathcal{S}(i)}}(\mathbf{x}_i | \mathbf{z}_{\mathcal{S}(i)}) \right] \left[\prod_{k=1}^{|\mathcal{J}|} \mu_{\hat{\mathbf{z}}_{\mathcal{S}_k} | \hat{\mathcal{Z}}_{\hat{\mathcal{S}}_k} C_{\mathcal{S}_k} M_{\mathcal{S}_k}}(\mathbf{z}_{\mathcal{S}_k} | \mathbf{z}_{\hat{\mathcal{S}}_k}, \mathbf{c}_{\mathcal{S}_k}, \mathbf{m}_{\mathcal{S}_k}) \right] \left[\prod_{s \in \mathcal{S}} \frac{1}{|\mathcal{M}_s|} \right], \end{aligned} \quad (32)$$

where the first term on the right hand side corresponds to the encoding error probability and the second term on the right hand side corresponds to the decoding error probability.

By using the union bound, the first term on the right hand side of the equality in (32) is evaluated as

$$[\text{the first term of (32)}] \leq \sum_{k=1}^{|\mathcal{J}|} \sum_{\mathbf{m}_{\mathcal{S}_k} \in \mathcal{E}((f,g)_{\mathcal{S}_k}, \mathbf{c}_{\mathcal{S}_k})} \frac{1}{|\mathcal{M}_{\mathcal{S}_k}|}.$$

The second term on the right hand side of the equality in (32) is evaluated as

[the second term of (32)]

$$\begin{aligned}
&= \sum_{\substack{\mathbf{m}_S \notin \mathcal{E}((f,g)_S, \mathbf{c}_S), \mathbf{z}_S \in \mathcal{C}_{(f,g)_S}(\mathbf{c}_S, \mathbf{m}_S), \\ \mathbf{y}_{\mathcal{J}} \in \mathcal{Y}_{\mathcal{J}}^n, \hat{\mathbf{z}}_{\mathcal{D}(\mathcal{J})} \in \mathcal{E}(g_S, \mathbf{m}_S)}} \frac{\mu_{\hat{\mathbf{z}}_{\mathcal{D}(\mathcal{J})} | \mathcal{C}_S \mathbf{Y}_{\mathcal{J}}}(\hat{\mathbf{z}}_{\mathcal{D}(\mathcal{J})} | \mathbf{c}_S, \mathbf{y}_{\mathcal{J}}) \mu_{Z_S \mathbf{Y}_{\mathcal{J}}}(\mathbf{z}_S, \mathbf{y}_{\mathcal{J}})}{\prod_{k=1}^{|\mathcal{J}|} \mu_{Z_{S_k} | Z_{S^{k-1}}}(\mathcal{C}_{(f,g)_{S_k}}(\mathbf{c}_{S_k}, \mathbf{m}_{S_k}) | \mathbf{z}_{S^{k-1}}) |\mathcal{M}_{S_k}|} \\
&\leq \sum_{\substack{\mathbf{m}_S \notin \mathcal{E}((f,g)_S, \mathbf{c}_S), \mathbf{z}_S \in \mathcal{C}_{(f,g)_S}(\mathbf{c}_S, \mathbf{m}_S), \mathbf{y}_{\mathcal{J}} \in \mathcal{Y}_{\mathcal{J}}^n, \hat{\mathbf{z}}_{\mathcal{D}(\mathcal{J})} \in \mathcal{E}(g_S, \mathbf{m}_S)}} \mu_{\hat{\mathbf{z}}_{\mathcal{D}(\mathcal{J})} | \mathcal{C}_S \mathbf{Y}_{\mathcal{J}}}(\hat{\mathbf{z}}_{\mathcal{D}(\mathcal{J})} | \mathbf{c}_S, \mathbf{y}_{\mathcal{J}}) \mu_{Z_S \mathbf{Y}_{\mathcal{J}}}(\mathbf{z}_S, \mathbf{y}_{\mathcal{J}}) \\
&\quad \cdot |\mathcal{C}_S| \left[\left| \frac{1}{\prod_{k=1}^{|\mathcal{J}|} \mu_{Z_{S_k} | Z_{S^{k-1}}}(\mathcal{C}_{(f,g)_{S_k}}(\mathbf{c}_{S_k}, \mathbf{m}_{S_k}) | \mathbf{z}_{S^{k-1}}) |\mathcal{C}_{S_k}| |\mathcal{M}_{S_k}|} - 1 \right| + 1 \right] \\
&\leq |\mathcal{C}_S| \sum_{\substack{\mathbf{m}_S \notin \mathcal{E}((f,g)_S, \mathbf{c}_S), \mathbf{z}_S \in \mathcal{C}_{(f,g)_S}(\mathbf{c}_S, \mathbf{m}_S)}} \mu_{Z_S}(\mathbf{z}_S) \left| \prod_{k=1}^{|\mathcal{J}|} \frac{1}{\mu_{Z_{S_k} | Z_{S^{k-1}}}(\mathcal{C}_{(f,g)_{S_k}}(\mathbf{c}_{S_k}, \mathbf{m}_{S_k}) | \mathbf{z}_{S^{k-1}}) |\mathcal{C}_{S_k}| |\mathcal{M}_{S_k}|} - 1 \right| \\
&\quad + \sum_{j \in \mathcal{J}} |\mathcal{C}_S| \sum_{\substack{\mathbf{m}_S \in \mathcal{M}_S, \mathbf{z}_S \in \mathcal{C}_{(f,g)_S}(\mathbf{c}_S, \mathbf{m}_S), \mathbf{y}_{\mathcal{J}} \in \mathcal{Y}_{\mathcal{J}}^n, \hat{\mathbf{z}}_{\mathcal{D}(\mathcal{J})} \in \mathcal{Z}_{\mathcal{D}(\mathcal{J})}^n: \\ \hat{\mathbf{z}}_{\mathcal{D}(j)} \neq \mathbf{z}_{\mathcal{D}(j)}}}} \mu_{\hat{\mathbf{z}}_{\mathcal{D}(\mathcal{J})} | \mathcal{C}_S \mathbf{Y}_{\mathcal{J}}}(\hat{\mathbf{z}}_{\mathcal{D}(\mathcal{J})} | \mathbf{c}_S, \mathbf{y}_{\mathcal{J}}) \mu_{Z_S \mathbf{Y}_{\mathcal{J}}}(\mathbf{z}_S, \mathbf{y}_{\mathcal{J}}), \tag{33}
\end{aligned}$$

where the equality comes from (24), (31), and the relations

$$\begin{aligned}
\mu_{\hat{\mathbf{z}}_{\mathcal{D}(\mathcal{J})} | \mathcal{C}_S \mathbf{Y}_{\mathcal{J}}}(\hat{\mathbf{z}}_{\mathcal{D}(\mathcal{J})} | \mathbf{c}_S, \mathbf{y}_{\mathcal{J}}) &\equiv \prod_{j \in \mathcal{J}} \mu_{\hat{\mathbf{z}}_{\mathcal{D}(j)} | \mathcal{C}_{\mathcal{D}(j)} \mathbf{Y}_j}(\hat{\mathbf{z}}_{\mathcal{D}(j)} | \mathbf{c}_{\mathcal{D}(j)}, \mathbf{y}_j) \\
\mu_{Z_S \mathbf{Y}_{\mathcal{J}}}(\mathbf{z}_S, \mathbf{y}_{\mathcal{J}}) &= \sum_{\mathbf{x}_{\mathcal{I}} \in \mathcal{X}_{\mathcal{I}}^n} \mu_{\mathbf{Y}_{\mathcal{J}} | \mathbf{X}_{\mathcal{I}}}(\mathbf{y}_{\mathcal{J}} | \mathbf{x}_{\mathcal{I}}) \left[\prod_{i \in \mathcal{I}} \mu_{X_i | Z_{S(i)}}(\mathbf{x}_i | \mathbf{z}_{S(i)}) \right] \left[\prod_{k=1}^{|\mathcal{J}|} \mu_{Z_{S_k} | Z_{\hat{S}_k}}(\mathbf{z}_{S_k} | \mathbf{z}_{\hat{S}_k}) \right].
\end{aligned}$$

The first inequality comes from the triangular inequality, and the second inequality comes from the relation

$$\sum_{\mathbf{y}_{\mathcal{J}} \in \mathcal{Y}_{\mathcal{J}}^n, \hat{\mathbf{z}}_{\mathcal{D}(\mathcal{J})} \in \mathcal{E}(g_S, \mathbf{m}_S)} \mu_{\hat{\mathbf{z}}_{\mathcal{D}(\mathcal{J})} | \mathcal{C}_S \mathbf{Y}_{\mathcal{J}}}(\hat{\mathbf{z}}_{\mathcal{D}(\mathcal{J})} | \mathbf{c}_S, \mathbf{y}_{\mathcal{J}}) \mu_{Z_S \mathbf{Y}_{\mathcal{J}}}(\mathbf{z}_S, \mathbf{y}_{\mathcal{J}}) \leq \mu_{Z_S}(\mathbf{z}_S)$$

and the union bound with the fact that $\hat{\mathbf{z}}_{\mathcal{D}(\mathcal{J})} \in \mathcal{E}(g_S, \mathbf{m}_S)$ implies $\hat{\mathbf{z}}_{\mathcal{D}(j)} \neq \mathbf{z}_{\mathcal{D}(j)}$ for some $j \in \mathcal{J}$. The first term on the right hand side of (33) is evaluated as

[the first term of (33)]

$$\begin{aligned}
&\leq |\mathcal{C}_S| \sum_{\substack{\mathbf{m}_S \in \mathcal{M}_S, \mathbf{z}_S \in \mathcal{C}_{(f,g)_S}(\mathbf{c}_S, \mathbf{m}_S): \\ \mathbf{m}_{S_k} \notin \mathcal{E}((f,g)_{S_k}, \mathbf{c}_{S_k}) \text{ for all } k \in \{1, \dots, |\mathcal{J}|\}}} \mu_{Z_S}(\mathbf{z}_S) \sum_{k=1}^{|\mathcal{J}|} \left| \frac{1}{\mu_{Z_{S_k} | Z_{S^{k-1}}}(\mathcal{C}_{(f,g)_{S_k}}(\mathbf{c}_{S_k}, \mathbf{m}_{S_k}) | \mathbf{z}_{S^{k-1}}) |\mathcal{C}_{S_k}| |\mathcal{M}_{S_k}|} - 1 \right| \\
&\quad \cdot \prod_{k'=k+1}^{|\mathcal{J}|} \frac{1}{\mu_{Z_{S_{k'}} | Z_{S^{k'-1}}}(\mathcal{C}_{(f,g)_{S_{k'}}}(\mathbf{c}_{S_{k'}}) | \mathbf{z}_{S^{k'-1}}) |\mathcal{C}_{S_{k'}}| |\mathcal{M}_{S_{k'}}|} \\
&= \sum_{k=1}^{|\mathcal{J}|} |\mathcal{C}_S| \sum_{\substack{\mathbf{m}_{S^{k-1}} \in \mathcal{M}_{S^{k-1}}, \mathbf{z}_{S^{k-1}} \in \mathcal{C}_{(f,g)_{S^{k-1}}}(\mathbf{c}_{S^{k-1}}, \mathbf{m}_{S^{k-1}}): \\ \mathbf{m}_{S_{k'}} \notin \mathcal{E}((f,g)_{S_{k'}}, \mathbf{c}_{S_{k'}}) \text{ for all } k' \in \{1, \dots, k-1\}}} \mu_{Z_{S^{k-1}}}(\mathbf{z}_{S^{k-1}}) \\
&\quad \cdot \sum_{\substack{\mathbf{m}_{S_k} \notin \mathcal{E}((f,g)_{S_k}, \mathbf{c}_{S_k}) \\ \mathbf{z}_{S_k} \in \mathcal{C}_{(f,g)_{S_k}}(\mathbf{c}_{S_k}, \mathbf{m}_{S_k})}} \mu_{Z_{S_k} | Z_{S^{k-1}}}(\mathbf{z}_{S_k} | \mathbf{z}_{S^{k-1}}) \left| \frac{1}{\mu_{Z_{S_k} | Z_{S^{k-1}}}(\mathcal{C}_{(f,g)_{S_k}}(\mathbf{c}_{S_k}, \mathbf{m}_{S_k}) | \mathbf{z}_{S^{k-1}}) |\mathcal{C}_{S_k}| |\mathcal{M}_{S_k}|} - 1 \right| \\
&\quad \cdot \sum_{\substack{\mathbf{m}_{S_{k+1}} \notin \mathcal{E}((f,g)_{S_{k+1}}, \mathbf{c}_{S_{k+1}}) \\ \mathbf{z}_{S_{k+1}} \in \mathcal{C}_{(f,g)_{S_{k+1}}}(\mathbf{c}_{S_{k+1}}, \mathbf{m}_{S_{k+1}})}} \frac{\mu_{Z_{S_{k+1}} | Z_{S^k}}(\mathbf{z}_{S_{k+1}} | \mathbf{z}_{S^k})}{\mu_{Z_{S_{k+1}} | Z_{S^k}}(\mathcal{C}_{(f,g)_{S_{k+1}}}(\mathbf{c}_{S_{k+1}}, \mathbf{m}_{S_{k+1}}) | \mathbf{z}_{S^k}) |\mathcal{C}_{S_{k+1}}| |\mathcal{M}_{S_{k+1}}|} \\
&\quad \vdots \\
&\quad \cdot \sum_{\substack{\mathbf{m}_{S_{|\mathcal{J}|}} \notin \mathcal{E}((f,g)_{S_{|\mathcal{J}|}}, \mathbf{c}_{S_{|\mathcal{J}|}}) \\ \mathbf{z}_{S_{|\mathcal{J}|}} \in \mathcal{C}_{(f,g)_{S_{|\mathcal{J}|}}}(\mathbf{c}_{S_{|\mathcal{J}|}}, \mathbf{m}_{S_{|\mathcal{J}|}})}} \frac{\mu_{Z_{S_{|\mathcal{J}|}} | Z_{S^{|\mathcal{J}|-1}}}(\mathbf{z}_{S_{|\mathcal{J}|}} | \mathbf{z}_{S^{|\mathcal{J}|-1}})}{\mu_{Z_{S_{|\mathcal{J}|}} | Z_{S^{|\mathcal{J}|-1}}}(\mathcal{C}_{(f,g)_{S_{|\mathcal{J}|}}}(\mathbf{c}_{S_{|\mathcal{J}|}}, \mathbf{m}_{S_{|\mathcal{J}|}}) | \mathbf{z}_{S^{|\mathcal{J}|-1}}) |\mathcal{C}_{S_{|\mathcal{J}|}}| |\mathcal{M}_{S_{|\mathcal{J}|}}|}
\end{aligned}$$

$$\begin{aligned}
&\leq \sum_{k=1}^{|\mathcal{J}|} |\mathcal{C}_S| \sum_{\mathbf{z}_{S^{k-1}} \in \mathfrak{C}_{f_{S^{k-1}}}(c_{S^{k-1}})} \mu_{Z_{S^{k-1}}}(\mathbf{z}_{S^{k-1}}) \\
&\quad \cdot \sum_{\mathbf{m}_{S_k} \notin \mathcal{E}((f,g)_{S_k}, c_{S_k})} \left| \frac{1}{|\mathcal{C}_{S_k}| |\mathcal{M}_{S_k}|} - \mu_{Z_{S_k}|Z_{S^{k-1}}}(\mathfrak{C}_{(f,g)_{S_k}}(c_{S_k}, \mathbf{m}_{S_k}) | \mathbf{z}_{S^{k-1}}) \right| \prod_{k'=k+1}^{|\mathcal{J}|} \frac{1}{|\mathcal{C}_{S_{k'}}|} \\
&= \sum_{k=1}^{|\mathcal{J}|} \left[\prod_{k'=1}^k |\mathcal{C}_{S_{k'}}| \right] \sum_{\mathbf{z}_{S^{k-1}} \in \mathfrak{C}_{f_{S^{k-1}}}(c_{S^{k-1}})} \mu_{Z_{S^{k-1}}}(\mathbf{z}_{S^{k-1}}) \sum_{\mathbf{m}_{S_k} \in \mathcal{M}_{S_k}} \left| \frac{1}{|\mathcal{C}_{S_k}| |\mathcal{M}_{S_k}|} - \mu_{Z_{S_k}|Z_{S^{k-1}}}(\mathfrak{C}_{(f,g)_{S_k}}(c_{S_k}, \mathbf{m}_{S_k}) | \mathbf{z}_{S^{k-1}}) \right| \\
&\quad - \sum_{k=1}^{|\mathcal{J}|} \left[\prod_{k'=1}^{k-1} |\mathcal{C}_{S_{k'}}| \right] \sum_{\mathbf{z}_{S^{k-1}} \in \mathfrak{C}_{f_{S^{k-1}}}(c_{S^{k-1}})} \mu_{Z_{S^{k-1}}}(\mathbf{z}_{S^{k-1}}) \sum_{\mathbf{m}_{S_k} \in \mathcal{E}((f,g)_{S_k}, c_{S_k})} \frac{1}{|\mathcal{M}_{S_k}|}, \tag{34}
\end{aligned}$$

where the first inequality comes from Lemma 19 in Appendix F and the fact that $\mathbf{m}_S \notin \mathcal{E}((f,g)_S, c_S)$ iff $\mathbf{m}_{S_k} \notin \mathcal{E}((f,g)_{S_k}, c_{S_k})$ for all $k \in \{1, \dots, |\mathcal{J}|\}$; the second inequality comes from the fact that $\mathbf{m}_{S_{k'}} \notin \mathcal{E}((f,g)_{S_{k'}}, c_{S_{k'}})$ implies

$$\begin{aligned}
&\sum_{\mathbf{z}_{S_{k'}} \in \mathfrak{C}_{(f,g)_{S_{k'}}}(c_{S_{k'}}, \mathbf{m}_{S_{k'}})} \mu_{Z_{S_{k'}}|Z_{S^{k'-1}}}(\mathbf{z}_{S_{k'}} | \mathbf{z}_{S^{k'-1}}) = \mu_{Z_{S_{k'}}|Z_{S^{k'-1}}}(\mathfrak{C}_{(f,g)_{S_{k'}}}(c_{S_{k'}}, \mathbf{m}_{S_{k'}}) | \mathbf{z}_{S^{k'-1}}) \\
&> 0 \tag{35}
\end{aligned}$$

for all $k' \in \{|\mathcal{J}|, |\mathcal{J}| - 1, \dots, k\}$ and

$$\begin{aligned}
&\sum_{\substack{\mathbf{m}_{S_{k'}} \notin \mathcal{E}((f,g)_{S_{k'}}, c_{S_{k'}}) \\ \mathbf{z}_{S_{k'}} \in \mathfrak{C}_{(f,g)_{S_{k'}}}(c_{S_{k'}}, \mathbf{m}_{S_{k'}})}} \frac{\mu_{Z_{S_{k'}}|Z_{S^{k'-1}}}(\mathbf{z}_{S_{k'}} | \mathbf{z}_{S^{k'-1}})}{\mu_{Z_{S_{k'}}|Z_{S^{k'-1}}}(\mathfrak{C}_{(f,g)_{S_{k'}}}(c_{S_{k'}}, \mathbf{m}_{S_{k'}}) | \mathbf{z}_{S^{k'-1}}) |\mathcal{M}_{S_{k'}}|} = \sum_{\mathbf{m}_{S_{k'}} \notin \mathcal{E}((f,g)_{S_{k'}}, c_{S_{k'}})} \frac{1}{|\mathcal{M}_{S_{k'}}|} \\
&\leq 1 \tag{36}
\end{aligned}$$

for all $k' \in \{|\mathcal{J}|, |\mathcal{J}| - 1, \dots, k+1\}$. The last equality comes from the fact that $\mathbf{m}_{S_k} \in \mathcal{E}((f,g)_{S_k}, c_{S_k})$ implies

$$\mu_{Z_{S_k}|Z_{S^{k-1}}}(\mathfrak{C}_{(f,g)_{S_k}}(c_{S_k}, \mathbf{m}_{S_k}) | \mathbf{z}_{S^{k-1}}) = 0.$$

Let $C_S \equiv \{C_s\}_{s \in S}$ be the set of random variables corresponding to the uniform distribution on \mathcal{C}_S . We have

$$\begin{aligned}
&E_{(F,G)_S C_S} [\text{Error}(F_S, G_S, C_S)] \\
&\leq E_{(F,G)_S C_S} \left[\sum_{k=1}^{|\mathcal{J}|} \left[\prod_{k'=1}^k |\mathcal{C}_{S_{k'}}| \right] \sum_{\mathbf{z}_{S^{k-1}} \in \mathfrak{C}_{F_{S^{k-1}}}(C_{S^{k-1}})} \mu_{Z_{S^{k-1}}}(\mathbf{z}_{S^{k-1}}) \right. \\
&\quad \cdot \left. \sum_{\mathbf{m}_{S_k} \in \mathcal{M}_{S_k}} \left| \frac{1}{|\mathcal{C}_{S_k}| |\mathcal{M}_{S_k}|} - \mu_{Z_{S_k}|Z_{S^{k-1}}}(\mathfrak{C}_{(F,G)_{S_k}}(C_{S_k}, \mathbf{m}_{S_k}) | \mathbf{z}_{S^{k-1}}) \right| \right] \\
&\quad + E_{(F,G)_S C_S} \left[\sum_{j \in \mathcal{J}} |\mathcal{C}_S| \sum_{\substack{\mathbf{m}_S \in \mathcal{M}_S, \mathbf{z}_S \in \mathfrak{C}_{(F,G)_S}(C_S, \mathbf{m}_S), \\ \mathbf{y}_\mathcal{J} \in \mathcal{Y}_\mathcal{J}^n, \hat{\mathbf{z}}_{\mathcal{D}(\mathcal{J})} \in \mathcal{Z}_{\mathcal{D}(\mathcal{J})}^n: \\ \hat{\mathbf{z}}_{\mathcal{D}(j)} \neq \mathbf{z}_{\mathcal{D}(j)}}} \mu_{\hat{\mathbf{Z}}_{\mathcal{D}(\mathcal{J})}|C_S Y_\mathcal{J}}(\hat{\mathbf{z}}_{\mathcal{D}(\mathcal{J})} | C_S, \mathbf{y}_\mathcal{J}) \mu_{Z_S Y_\mathcal{J}}(\mathbf{z}_S, \mathbf{y}_\mathcal{J}) \right] \\
&= \sum_{k=1}^{|\mathcal{J}|} E_{(F,G)_{S_k}} \left[\sum_{\mathbf{z}_{S^{k-1}} \in \mathcal{Z}_{S^{k-1}}^n} \mu_{Z_{S^{k-1}}}(\mathbf{z}_{S^{k-1}}) \sum_{c_{S_k} \in \mathcal{C}_{S_k}, \mathbf{m}_{S_k} \in \mathcal{M}_{S_k}} \left| \frac{1}{|\mathcal{C}_{S_k}| |\mathcal{M}_{S_k}|} - \mu_{Z_{S_k}|Z_{S^{k-1}}}(\mathfrak{C}_{(F,G)_{S_k}}(c_{S_k}, \mathbf{m}_{S_k}) | \mathbf{z}_{S^{k-1}}) \right| \right] \\
&\quad + \sum_{j \in \mathcal{J}} E_{F_{\mathcal{D}(j)}} \left[\sum_{c_{\mathcal{D}(j)} \in \mathcal{C}_{\mathcal{D}(j)}, \mathbf{z}_{\mathcal{D}(j)} \in \mathfrak{C}_{F_{\mathcal{D}(j)}}}(c_{\mathcal{D}(j)}), \mathbf{y}_j \in \mathcal{Y}_j^n, \hat{\mathbf{z}}_{\mathcal{D}(j)} \in \mathcal{Z}_{\mathcal{D}(j)}^n: \\ \hat{\mathbf{z}}_{\mathcal{D}(j)} \neq \mathbf{z}_{\mathcal{D}(j)}} \mu_{\hat{\mathbf{Z}}_{\mathcal{D}(j)}|Y_j C_{\mathcal{D}(j)}}(\hat{\mathbf{z}}_{\mathcal{D}(j)} | \mathbf{y}_j, c_{\mathcal{D}(j)}) \mu_{Z_{\mathcal{D}(j)} Y_j}(\mathbf{z}_{\mathcal{D}(j)}, \mathbf{y}_j) \right]
\end{aligned}$$

$$\begin{aligned}
&= \sum_{k=1}^{|\mathcal{J}|} E_{(F,G)_{\mathcal{S}_k}} \left[\sum_{\mathbf{z}_{\mathcal{S}_k} \in \mathcal{Z}_{\mathcal{S}_k}^n, \mathbf{c}_{\mathcal{S}_k} \in \mathcal{C}_{\mathcal{S}_k}, \mathbf{m}_{\mathcal{S}_k} \in \mathcal{M}_{\mathcal{S}_k}} \mu_{Z_{\mathcal{S}_k}}(\mathbf{z}_{\mathcal{S}_k}) \left| \frac{1}{|\mathcal{C}_{\mathcal{S}_k}| |\mathcal{M}_{\mathcal{S}_k}|} - \mu_{Z_{\mathcal{S}_k} | Z_{\mathcal{S}_k}}(\mathcal{C}_{(F,G)_{\mathcal{S}_k}}(\mathbf{c}_{\mathcal{S}_k}, \mathbf{m}_{\mathcal{S}_k}) | \mathbf{z}_{\mathcal{S}_k}) \right. \right] \\
&+ \sum_{j \in \mathcal{J}} E_{F_{\mathcal{D}(j)}} \left[\mu_{Z_{\mathcal{D}(j)} | \hat{\mathbf{Z}}_{\mathcal{D}(j)}}(\{(\mathbf{z}_{\mathcal{D}(j)}, \hat{\mathbf{z}}_{\mathcal{D}(j)}) : \hat{\mathbf{z}}_{\mathcal{D}(j)} \neq \mathbf{z}_{\mathcal{D}(j)}\}) \right] \\
&\leq \sum_{k=1}^{|\mathcal{J}|} \sqrt{\alpha_{(F,G)_{\mathcal{S}_k}} - 1 + \sum_{S' \subset \mathcal{S}_k : S' \neq \emptyset} \alpha_{(F,G)_{\mathcal{S}_k} | S'} [\beta_{(F,G)_{S'}} + 1] 2^{-n\gamma(k,S')}} + 2 \sum_{k=1}^{|\mathcal{J}|} \mu_{Z_{\mathcal{S}_k} \cup \mathcal{S}_k}(\mathcal{I}_k^c) \\
&+ 2 \sum_{j \in \mathcal{J}} \sum_{\mathcal{D}' \subset \mathcal{D}(j) : \mathcal{D}' \neq \emptyset} \alpha_{F_{\mathcal{D}'}} [\beta_{F_{\mathcal{D}(j) \setminus \mathcal{D}'}} + 1] 2^{-n\gamma(j,\mathcal{D}')} + 2 \sum_{j \in \mathcal{J}} \beta_{F_{\mathcal{D}(j)}} + 2 \sum_{j \in \mathcal{J}} \mu_{Z_{\mathcal{D}(j)} Y_j}(\bar{\mathcal{T}}_j^c), \tag{37}
\end{aligned}$$

where

$$\begin{aligned}
\gamma(k, \mathcal{S}') &\equiv \underline{H}(\mathbf{Z}_{\mathcal{S}'} | \mathbf{Z}_{\mathcal{S}_k}) - \sum_{s \in \mathcal{S}'} [r_s + R_s] - \varepsilon \\
\gamma(j, \mathcal{D}') &\equiv \sum_{s \in \mathcal{D}'} r_s - \bar{H}(\mathbf{Z}_{\mathcal{D}'} | \mathbf{Y}_j, \mathbf{Z}_{\mathcal{D}(j) \setminus \mathcal{D}'}) - \varepsilon \\
\mathcal{I}_k &\equiv \left\{ (\mathbf{z}_{\mathcal{S}_k}, \mathbf{z}_{\mathcal{S}_k}') : \frac{1}{n} \log_2 \frac{1}{\mu_{Z_{\mathcal{S}_k}' | Z_{\mathcal{S}_k}^n}(\mathbf{z}_{\mathcal{S}_k}' | \mathbf{z}_{\mathcal{S}_k})} \geq \underline{H}(\mathbf{Z}_{\mathcal{S}'} | \mathbf{Z}_{\mathcal{S}_k}) - \varepsilon \right. \\
&\quad \left. \text{for all } \mathcal{S}' \subset \mathcal{S}_k \text{ satisfying } \emptyset \neq \mathcal{S}' \subset \mathcal{S}_k \right\} \\
\bar{\mathcal{T}}_j &\equiv \left\{ (\mathbf{z}_{\mathcal{D}(j)}, \mathbf{y}) : \frac{1}{n} \log \frac{1}{\mu_{Z_{\mathcal{D}'} | Z_{\mathcal{D}(j) \setminus \mathcal{D}'}, Y_j}(\mathbf{z}_{\mathcal{D}'} | \mathbf{z}_{\mathcal{D}(j) \setminus \mathcal{D}'}, \mathbf{y}_j)} \leq \bar{H}(\mathbf{Z}_{\mathcal{D}'} | \mathbf{Y}_j, \mathbf{Z}_{\mathcal{D}(j) \setminus \mathcal{D}'}) + \varepsilon \right. \\
&\quad \left. \text{for all } \mathcal{D}' \text{ satisfying } \emptyset \neq \mathcal{D}' \subset \mathcal{D}(j) \right\}.
\end{aligned}$$

The first inequality comes from (32)–(34) and the fact that

$$\begin{aligned}
E_{C_{\mathcal{S}^{k-1}}} \left[\left[\prod_{k'=1}^{k-1} |\mathcal{C}_{\mathcal{S}^{k'}}| \right] \sum_{\mathbf{z}_{\mathcal{S}^{k-1}} \in \mathcal{C}_{f_{\mathcal{S}^{k-1}}}(\mathbf{c}_{\mathcal{S}^{k-1}})} \mu_{Z_{\mathcal{S}^{k-1}}}(\mathbf{z}_{\mathcal{S}^{k-1}}) \right] &= \sum_{\mathbf{c}_{\mathcal{S}^{k-1}} \in \mathcal{C}_{\mathcal{S}^{k-1}}, \mathbf{z}_{\mathcal{S}^{k-1}} \in \mathcal{C}_{f_{\mathcal{S}^{k-1}}}(\mathbf{c}_{\mathcal{S}^{k-1}})} \mu_{Z_{\mathcal{S}^{k-1}}}(\mathbf{z}_{\mathcal{S}^{k-1}}) \\
&= 1 \tag{38}
\end{aligned}$$

implies

$$\begin{aligned}
&E_{F_S G_S C_S} \left[\sum_{k=1}^{|\mathcal{J}|} \left[\prod_{k'=1}^{k-1} |\mathcal{C}_{\mathcal{S}^{k'}}| \right] \sum_{\mathbf{z}_{\mathcal{S}^{k-1}} \in \mathcal{C}_{f_{\mathcal{S}^{k-1}}}(\mathbf{c}_{\mathcal{S}^{k-1}})} \mu_{Z_{\mathcal{S}^{k-1}}}(\mathbf{z}_{\mathcal{S}^{k-1}}) \sum_{\mathbf{m}_{\mathcal{S}_k} \in \mathcal{E}((F,G)_{\mathcal{S}_k}, \mathcal{C}_{\mathcal{S}_k})} \frac{1}{|\mathcal{M}_{\mathcal{S}_k}|} \right] \\
&= \sum_{k=1}^{|\mathcal{J}|} E_{F_{\mathcal{S}_k} G_{\mathcal{S}_k} C_{\mathcal{S}_k}} \left[\sum_{\mathbf{m}_{\mathcal{S}_k} \in \mathcal{E}((F,G)_{\mathcal{S}_k}, \mathcal{C}_{\mathcal{S}_k})} \frac{1}{|\mathcal{M}_{\mathcal{S}_k}|} \right],
\end{aligned}$$

the second equality comes from (31), and the last inequality comes from Lemmas 13, 16, 18 in Appendixes C–E, and the relations $r_s = \log_2(|\mathcal{C}_s|) = \log_2(|\text{Im}\mathcal{F}_s|)/n$, $R_s = \log_2(|\mathcal{M}_s|)/n = \log_2(|\text{Im}\mathcal{G}_s|)/n$.

Finally, let us assume that $\{(r_s, R_s)\}_{s \in \mathcal{S}}$ satisfies (27)–(29) for all (k, \mathcal{S}') satisfying $k \in \{1, \dots, |\mathcal{J}|\}$, $\emptyset \neq \mathcal{S}' \subset \mathcal{S}_k$, and (j, \mathcal{D}') satisfying $j \in \mathcal{J}$, $\emptyset \neq \mathcal{D}' \subset \mathcal{D}(j)$. We have $\gamma(k, \mathcal{S}') > 0$ and $\gamma(j, \mathcal{D}') > 0$ for all $(k, \mathcal{S}', j, \mathcal{D}')$ satisfying $k \in \{1, \dots, |\mathcal{J}|\}$, $\emptyset \neq \mathcal{S}' \subset \mathcal{S}_k$, $j \in \mathcal{J}$, $\emptyset \neq \mathcal{D}' \subset \mathcal{D}(j)$. Then, by letting $\alpha_{F_s} \rightarrow 1$, $\beta_{F_s} \rightarrow 0$, $\alpha_{G_s} \rightarrow 1$, $\beta_{G_s} \rightarrow 0$, $\mu_{Z_{\mathcal{S}_k} \cup \mathcal{S}_k}(\mathcal{I}_k^c) \rightarrow 0$, $\mu_{Z_{\mathcal{D}(j)} Y_j}(\bar{\mathcal{T}}_j^c) \rightarrow 0$, $\varepsilon \rightarrow 0$, and using the random coding argument, we have the fact that for all $\delta > 0$ and sufficiently large n there are $f_S = \{f_s\}_{s \in \mathcal{S}}$, $g_S = \{g_s\}_{s \in \mathcal{S}}$, and $\mathbf{c}_S = \{\mathbf{c}_s\}_{s \in \mathcal{S}}$ such that $\text{Error}(f_S, g_S, \mathbf{c}_S) \leq \delta$. ■

APPENDIX

A. Algorithm for Linear Extension of Reversed Partial Ordering of Subsets

This section introduces an algorithm for computing the linear extension of the reversed partial ordering of $\mathcal{J} \equiv \{\mathcal{I}_1, \dots, \mathcal{I}_{|\mathcal{J}|}\} \subset 2^{\mathcal{I}}$ which yields the following property: $\mathcal{I}_k \not\subseteq \mathcal{I}_{k'}$ implies $k' < k$ for all $k, k' \in \{1, 2, \dots, |\mathcal{J}|\}$.

When a partial ordering is represented by a directed acyclic graph, the standard topological sort [5, Section 22.4] can be employed with time complexity of $O(|\mathcal{J}| + a)$, where a is the number of arcs. However, when no directed acyclic graph is available, the construction has time complexity of $O(|\mathcal{I}||\mathcal{J}|^2)$, where factor $O(|\mathcal{I}|)$ corresponds to the computation of partial ordering of two subsets and $O(|\mathcal{J}|^2)$ corresponds to the combination of two vertexes. We may also use a variation of the quick sort [11] which could be employed with expected time complexity of $O(w|\mathcal{I}||\mathcal{J}| \log_2 |\mathcal{J}|)$, where w is the width of the directed acyclic graph and factor $O(|\mathcal{I}|)$ corresponds to the computation of partial ordering of two subsets.

Algorithm 3 Linear extension of $\mathcal{J} \subset 2^{\mathcal{I}}$

Input: List $\mathcal{J} \equiv \{\mathcal{I}_1, \dots, \mathcal{I}_{|\mathcal{J}|}\}$.
Output: Linear extension of \mathcal{J} , where $\mathcal{I}_k \subsetneq \mathcal{I}_{k'}$ implies $k' < k$ for all $k, k' \in \{1, 2, \dots, |\mathcal{J}|\}$.
1: **for** $v \in \{0, \dots, |\mathcal{I}|\}$ **do** $\mathcal{L}(v) \leftarrow \emptyset$.
2: **for** $k \in \{1, \dots, |\mathcal{J}|\}$ **do** $\mathcal{L}(\mathcal{I}_k) \leftarrow \{\mathcal{I}_k\} \cup \mathcal{L}(|\mathcal{I}_k|)$.
3: $\mathcal{J} \leftarrow \emptyset$.
4: **for** $v \in \{0, \dots, |\mathcal{I}|\}$ **do** $\mathcal{J} \leftarrow \mathcal{L}(v) \cup \mathcal{J}$.

Here, let us introduce Algorithm 3 similar to the bucket sort [5, Section 8.4], based on the cardinality of a subset. When the time complexity of computing the cardinality of a subset is $O(1)$, this algorithm has time complexity of $O(|\mathcal{J}| + |\mathcal{I}|)$. When the time complexity of computing the cardinality of a subset is $O(|\mathcal{I}|)$, this algorithm has time complexity of $O(|\mathcal{I}||\mathcal{J}|)$. It is assumed that each \mathcal{J} and $\mathcal{L}(v)$, $v \in \{0, 1, \dots, |\mathcal{I}|\}$ is represented as a list of subsets. Line 1 corresponds to the initialization of $v \in \{0, 1, \dots, |\mathcal{I}|\}$. At Line 2, $\mathcal{J} \leftarrow \{\mathcal{I}_k\} \cup \mathcal{L}(|\mathcal{I}_k|)$ means that $\{\mathcal{I}_k\}$ is appended to $\mathcal{L}(|\mathcal{I}_k|)$. At Line 4, $\mathcal{J} \leftarrow \mathcal{L}(v) \cup \mathcal{J}$ means that $\mathcal{L}(v)$ is appended to the beginning of \mathcal{J} . We can implement \mathcal{J} and $\mathcal{L}(w)$, $w \in \{0, 1, \dots, |\mathcal{I}|\}$ by using a linked list [5, Section 10.2] to reduce the time complexity of the union operation. We have the following lemma.

Lemma 8: After employing Algorithm 3, $\mathcal{J} \equiv \{\mathcal{I}_1, \dots, \mathcal{I}_{|\mathcal{J}|}\}$ satisfies the property that $\mathcal{I}_k \subsetneq \mathcal{I}_{k'}$ implies $k' < k$ for all $k, k' \in \{1, 2, \dots, |\mathcal{J}|\}$.

Proof: After employing Algorithm 3, $\mathcal{J} \equiv \{\mathcal{I}_1, \dots, \mathcal{I}_{|\mathcal{J}|}\}$ satisfies the property that $k \leq k'$ implies $|\mathcal{I}_{k'}| \leq |\mathcal{I}_k|$ for all $k, k' \in \{1, 2, \dots, |\mathcal{J}|\}$. This is equivalent to the fact that $|\mathcal{I}_k| < |\mathcal{I}_{k'}|$ implies $k' < k$ for all $k, k' \in \{1, 2, \dots, |\mathcal{J}|\}$. The above yields the fact that $\mathcal{I}_k \subsetneq \mathcal{I}_{k'}$ implies $|\mathcal{I}_k| < |\mathcal{I}_{k'}|$ and $k' < k$ for all $k, k' \in \{1, 2, \dots, |\mathcal{J}|\}$. \blacksquare

Remark 5: We can also use standard sorting algorithms (e.g. quick sort, merge sort, heap sort) based on subset cardinality; the time complexity is $O(|\mathcal{J}| \log |\mathcal{J}|)$ when the time complexity for computing the cardinality of subset $\mathcal{I} \in \mathcal{J}$ is $O(1)$. That is, the standard sorting algorithms could be better than the proposed algorithm if $|\mathcal{I}| = \Omega(|\mathcal{J}| \log |\mathcal{J}|)$ (including the case when $|\mathcal{I}|$ is unknown/infinite).

B. Information-Spectrum Methods

First, we review the definition of the limit superior/inferior in probability introduced in [17]. For sequence $\{U_n\}_{n=1}^{\infty}$ of random variables, the *limit superior in probability* $\text{p-limsup}_{n \rightarrow \infty} U_n$ and the *limit inferior in probability* $\text{p-liminf}_{n \rightarrow \infty} U_n$ are defined as

$$\begin{aligned} \text{p-limsup}_{n \rightarrow \infty} U_n &\equiv \inf \left\{ \theta : \lim_{n \rightarrow \infty} \text{P}(U_n > \theta) = 0 \right\} \\ \text{p-liminf}_{n \rightarrow \infty} U_n &\equiv \sup \left\{ \theta : \lim_{n \rightarrow \infty} \text{P}(U_n < \theta) = 0 \right\}. \end{aligned}$$

Moreover, we have the following relations [17, Section 1.3]:

$$\text{p-liminf}_{n \rightarrow \infty} [U_n + V_n] \leq \text{p-limsup}_{n \rightarrow \infty} U_n + \text{p-liminf}_{n \rightarrow \infty} V_n \quad (39)$$

$$\text{p-limsup}_{n \rightarrow \infty} [-U_n] = \text{p-liminf}_{n \rightarrow \infty} U_n. \quad (40)$$

For sequence $\{\mu_{U_n}\}_{n=1}^{\infty}$ of probability distributions corresponding to \mathbf{U} , we define the spectral inf-entropy rate, $\underline{H}(\mathbf{U})$, as

$$\underline{H}(\mathbf{U}) \equiv \text{p-liminf}_{n \rightarrow \infty} \frac{1}{n} \log_2 \frac{1}{\mu_{U_n}(U_n)}.$$

For general sequence $\{\mu_{U_n V_n}\}_{n=1}^{\infty}$ of joint probability distributions corresponding to $(\mathbf{U}, \mathbf{V}) = \{(U_n, V_n)\}_{n=1}^{\infty}$, we define the spectral conditional sup-entropy rate $\overline{H}(\mathbf{U}|\mathbf{V})$, and the spectral conditional inf-entropy rate $\underline{H}(\mathbf{U}|\mathbf{V})$ as

$$\begin{aligned} \overline{H}(\mathbf{U}|\mathbf{V}) &\equiv \text{p-limsup}_{n \rightarrow \infty} \frac{1}{n} \log_2 \frac{1}{\mu_{U_n|V_n}(U_n|V_n)} \\ \underline{H}(\mathbf{U}|\mathbf{V}) &\equiv \text{p-liminf}_{n \rightarrow \infty} \frac{1}{n} \log_2 \frac{1}{\mu_{U_n|V_n}(U_n|V_n)}. \end{aligned}$$

In the following, we introduce some inequalities that we use in the proof of the converse part. Trivially, we have

$$\overline{H}(\mathbf{U}|\mathbf{V}) \geq \underline{H}(\mathbf{U}|\mathbf{V}) \geq 0.$$

We show the following lemmas.

Lemma 9: For a triplet of general sources $(\mathbf{U}, \mathbf{V}, \mathbf{W}) = \{(U_n, V_n, W_n)\}_{n=1}^{\infty}$, let us assume that U_n, V_n, W_n satisfy the Markov relation

$$U_n \leftrightarrow V_n \leftrightarrow W_n$$

for all $n \in \mathbb{N}$. Then we have $\underline{H}(U|V) = \underline{H}(U)$. In particular, we have $\underline{H}(U|W) = \underline{H}(U)$ when U_n and W_n are independent for all $n \in \mathbb{N}$.

Proof: We have

$$\begin{aligned} \underline{H}(U|V, W) &= \text{p-liminf}_{n \rightarrow \infty} \frac{1}{n} \log_2 \frac{1}{\mu_{U_n|V_n W_n}(U_n|V_n, W_n)} \\ &= \text{p-liminf}_{n \rightarrow \infty} \frac{1}{n} \log_2 \frac{1}{\mu_{U_n|V_n}(U_n|V_n)} \\ &= \underline{H}(U|V), \end{aligned} \quad (41)$$

where the second equality comes from the Markov relation $U_n \leftrightarrow V_n \leftrightarrow W_n$. The relation $\underline{H}(U|W) = \underline{H}(U)$ is shown immediately by assuming that V_n is constant for all $n \in \mathbb{N}$. ■

Lemma 10 ([17, Lemma 3.2.1, Definition 4.1.3]): For general sources $\mathbf{U} \equiv \{U_n\}_{n=1}^\infty$ and $\mathbf{V} \equiv \{V_n\}_{n=1}^\infty$, we have

$$\text{p-liminf}_{n \rightarrow \infty} \frac{1}{n} \log_2 \frac{\mu_{U_n}(U_n)}{\mu_{V_n}(U_n)} \geq 0.$$

Proof: For completeness, we show the lemma as the proof of [17, Lemma 3.2.1, Definition 4.1.3]. For a given $\gamma > 0$, let \mathcal{U}'_n be defined as

$$\mathcal{U}'_n \equiv \left\{ \mathbf{u} : \frac{1}{n} \log_2 \frac{\mu_{U_n}(\mathbf{u})}{\mu_{V_n}(\mathbf{u})} < -\gamma \right\}. \quad (42)$$

Then we have $\mu_{U_n}(\mathbf{u}) < \mu_{V_n}(\mathbf{u})2^{-n\gamma}$ for all $\mathbf{u} \in \mathcal{U}'_n$. We have

$$\begin{aligned} \text{P} \left(\frac{1}{n} \log_2 \frac{\mu_{U_n}(U_n)}{\mu_{V_n}(U_n)} < -\gamma \right) &= \sum_{\mathbf{u} \in \mathcal{U}'_n} \mu_{U_n}(\mathbf{u}) \\ &< \sum_{\mathbf{u} \in \mathcal{U}'_n} \mu_{V_n}(\mathbf{u})2^{-n\gamma} \\ &\leq 2^{-n\gamma}, \end{aligned} \quad (43)$$

which implies

$$\text{p-liminf}_{n \rightarrow \infty} \frac{1}{n} \log_2 \frac{\mu_{U_n}(\mathbf{u})}{\mu_{V_n}(\mathbf{u})} \geq -\gamma$$

from the definition of the limit inferior in probability. The lemma is proven by letting $\gamma \rightarrow 0$. ■

Lemma 11: For a triplet of general sources $(\mathbf{U}, \mathbf{V}, \mathbf{W}) = \{(U_n, V_n, W_n)\}_{n=1}^\infty$, we have $\overline{H}(U|V) \geq \overline{H}(U|V, W)$.

Proof: We have

$$\begin{aligned} \overline{H}(U|V) - \overline{H}(U|V, W) &= \text{p-limsup}_{n \rightarrow \infty} \frac{1}{n} \log_2 \frac{1}{\mu_{U_n|V_n}(U_n|V_n)} - \text{p-limsup}_{n \rightarrow \infty} \frac{1}{n} \log_2 \frac{1}{\mu_{U_n|V_n W_n}(U_n|V_n, W_n)} \\ &= \text{p-limsup}_{n \rightarrow \infty} \frac{1}{n} \log_2 \frac{1}{\mu_{U_n|V_n}(U_n|V_n)} + \text{p-liminf}_{n \rightarrow \infty} \frac{1}{n} \log_2 \mu_{U_n|V_n W_n}(U_n|V_n, W_n) \\ &\geq \text{p-liminf}_{n \rightarrow \infty} \frac{1}{n} \log_2 \frac{\mu_{U_n|V_n W_n}(U_n|V_n, W_n)}{\mu_{U_n|V_n}(U_n|V_n)} \\ &= \text{p-liminf}_{n \rightarrow \infty} \frac{1}{n} \log_2 \frac{\mu_{U_n V_n W_n}(U_n, V_n, W_n)}{\mu_{U_n|V_n}(U_n|V_n) \mu_{V_n W_n}(V_n, W_n)} \\ &\geq 0, \end{aligned} \quad (44)$$

where the second equality comes from (40), the first inequality comes from (39), and the second inequality comes from Lemma 10. ■

We use the following lemma, which is analogous to the Fano inequality.

Lemma 12 ([22, Lemma 4] [27, Lemma 7]): Let $(\mathbf{U}, \mathbf{V}) \equiv \{(U_n, V_n)\}_{n=1}^\infty$ be a sequence of two random variables. If there is a sequence $\{\Psi_n\}_{n=1}^\infty$ of (possibly stochastic) functions independent of (\mathbf{U}, \mathbf{V}) that satisfy the condition

$$\lim_{n \rightarrow \infty} \text{P}(\Psi_n(V_n) \neq U_n) = 0, \quad (45)$$

then

$$\overline{H}(U|V) = 0.$$

Proof: When $\{\Psi_n\}_{n=1}^\infty$ is a sequence of deterministic functions, the lemma is the same as [27, Lemma 7]. For completeness, we show this lemma following to the proof of [17, Lemma 1.3.2].

Let $\{\psi_n\}_{n=1}^\infty$ be a sequence of deterministic functions satisfying

$$\lim_{n \rightarrow \infty} P(\psi_n(V_n) \neq U_n) = 0. \quad (46)$$

For $\gamma > 0$, let

$$\begin{aligned} \mathcal{W} &\equiv \left\{ (\mathbf{u}, \mathbf{v}) : \frac{1}{n} \log_2 \frac{1}{\mu_{U_n|V_n}(\mathbf{u}|\mathbf{v})} \geq \gamma \right\} \\ \mathcal{E} &\equiv \{ (\mathbf{u}, \mathbf{v}) : \psi_n(\mathbf{v}) \neq \mathbf{u} \}. \end{aligned}$$

Then we have

$$\begin{aligned} P\left(\frac{1}{n} \log_2 \frac{1}{\mu_{U_n|V_n}(U_n|V_n)} > \gamma\right) &\leq \mu_{U_n V_n}(\mathcal{W}) \\ &= \mu_{U_n V_n}(\mathcal{W} \cap \mathcal{E}) + \mu_{U_n V_n}(\mathcal{W} \cap \mathcal{E}^c) \\ &= \mu_{U_n V_n}(\mathcal{W} \cap \mathcal{E}) + \sum_{(\mathbf{u}, \mathbf{v}) \in \mathcal{W} \cap \mathcal{E}^c} \mu_{U_n V_n}(\mathbf{u}, \mathbf{v}) \\ &= \mu_{U_n V_n}(\mathcal{W} \cap \mathcal{E}) + \sum_{\mathbf{v} \in \mathcal{V}_n} \mu_{V_n}(\mathbf{v}) \sum_{\substack{\mathbf{u} \in \mathcal{U}_n: \\ \psi_n(\mathbf{v}) = \mathbf{u} \\ (\mathbf{u}, \mathbf{v}) \in \mathcal{W}}} \mu_{U_n|V_n}(\mathbf{u}|\mathbf{v}) \\ &\leq \mu_{U_n V_n}(\mathcal{W} \cap \mathcal{E}) + \sum_{\mathbf{v} \in \mathcal{V}_n} \mu_{V_n}(\mathbf{v}) \sum_{\mathbf{u} \in \mathcal{U}_n: \psi_n(\mathbf{v}) = \mathbf{u}} 2^{-n\gamma} \\ &\leq P(\psi_n(V_n) \neq U_n) + 2^{-n\gamma}, \end{aligned} \quad (47)$$

where the second inequality comes from the definition of \mathcal{W} and the last inequality comes from the fact that for all \mathbf{v} there is a unique \mathbf{u} satisfying $\psi_n(\mathbf{v}) = \mathbf{u}$. From this inequality and (45), we have

$$\lim_{n \rightarrow \infty} P\left(\frac{1}{n} \log_2 \frac{1}{\mu_{U_n|V_n}(U_n|V_n)} > \gamma\right) = 0.$$

Then we have

$$0 \leq \overline{H}(\mathbf{U}|\mathbf{V}) \leq \gamma$$

from the definition of $\overline{H}(\mathbf{U}|\mathbf{V})$. We have $\overline{H}(\mathbf{U}|\mathbf{V}) = 0$ by letting $\gamma \rightarrow 0$.

When $\{\Psi_n\}_{n=1}^\infty$ is a sequence of stochastic functions, we can obtain sequence $\{\psi_n\}_{n=1}^\infty$ of deterministic functions such that

$$\begin{aligned} P(\psi_n(V_n) \neq U_n) &\leq \sum_{\psi_n} P(\Psi_n = \psi_n) P(\psi_n(V_n) \neq U_n) \\ &= P(\Psi_n(V_n) \neq U_n) \end{aligned}$$

for all $n \in \mathbb{N}$ from the random coding argument and the fact that Ψ_n is independent of (U_n, V_n) . Then we have the fact that (45) implies (46) and $\overline{H}(\mathbf{U}|\mathbf{V}) = 0$. \blacksquare

C. (α, β) -hash property

In this section, we review the hash property introduced in [27] [31] and show two basic lemmas. For set \mathcal{F} of functions, let $\text{Im}\mathcal{F} \equiv \bigcup_{f \in \mathcal{F}} \{f(\mathbf{z}) : \mathbf{z} \in \mathcal{Z}^n\}$.

Definition 1 ([27, Definition 3]): Let \mathcal{F}_n be a set of functions on \mathcal{U}^n . For probability distribution p_{F_n} on \mathcal{F}_n , we call pair (\mathcal{F}_n, p_{F_n}) an *ensemble*. Then, (\mathcal{F}_n, p_{F_n}) has an $(\alpha_{F_n}, \beta_{F_n})$ -hash property if there is pair $(\alpha_{F_n}, \beta_{F_n})$ depending on p_{F_n} such that

$$\sum_{\substack{\mathbf{z}' \in \mathcal{Z}^n \setminus \{\mathbf{z}\}: \\ p_{F_n}(\{f: f(\mathbf{z}) = f(\mathbf{z}')\}) > \frac{\alpha_{F_n}}{|\text{Im}\mathcal{F}_n|}}} p_{F_n}(\{f: f(\mathbf{z}) = f(\mathbf{z}')\}) \leq \beta_{F_n} \quad (48)$$

for any $\mathbf{z} \in \mathcal{Z}^n$. Consider the following conditions for two sequences $\alpha_F \equiv \{\alpha_{F_n}\}_{n=1}^\infty$ and $\beta_F \equiv \{\beta_{F_n}\}_{n=1}^\infty$

$$\lim_{n \rightarrow \infty} \alpha_{F_n} = 1 \quad (49)$$

$$\lim_{n \rightarrow \infty} \beta_{F_n} = 0. \quad (50)$$

Then, we can say that (\mathcal{F}, p_F) has an (α_F, β_F) -hash property if α_F and β_F satisfy (48)–(50). Throughout this paper, we omit the dependence of \mathcal{F} and F on n .

It should be noted that when \mathcal{F} is a two-universal class of hash functions [10] and p_F is the uniform distribution on \mathcal{F} , then (\mathcal{F}, p_F) has a $(\mathbf{1}, \mathbf{0})$ -hash property, where $\mathbf{1} \equiv (1, 1, \dots)$ and $\mathbf{0} \equiv (0, 0, \dots)$. Random binning [7] and the set of all linear functions [8] are two-universal classes of hash functions. It is proved in [31, Section III-B] that an ensemble of sparse matrices has a hash property.

First, we introduce the lemma for a joint ensemble.

Lemma 13 ([31, Lemma 4 of the extended version] [27, Lemma 3]): Let (\mathcal{F}, p_F) and (\mathcal{G}, p_G) be ensembles of functions on the same set \mathcal{Z}^n . Assume that (\mathcal{F}, p_F) (resp. (\mathcal{G}, p_G)) has an (α_F, β_F) -hash (resp. (α_G, β_G) -hash) property. Let $(f, g) \in \mathcal{F} \times \mathcal{G}$ be a function defined as

$$(f, g)(z) \equiv (f(z), g(z)) \quad \text{for each } z \in \mathcal{Z}^n.$$

Let $p_{(F,G)}$ be a joint distribution on $\mathcal{F} \times \mathcal{G}$ defined as

$$p_{(F,G)}(f, g) \equiv p_F(f)p_G(g) \quad \text{for each } (f, g) \in \mathcal{F} \times \mathcal{G}.$$

Then the ensemble $(\mathcal{F} \times \mathcal{G}, p_{(F,G)})$ has an $(\alpha_{(F,G)}, \beta_{(F,G)})$ -hash property, where $\alpha_{(F,G)}$ and $\beta_{(F,G)}$ are defined as

$$\begin{aligned} \alpha_{(F,G)} &\equiv \alpha_F \alpha_G \\ \beta_{(F,G)} &\equiv \beta_F + \beta_G. \end{aligned}$$

Proof: We show this lemma for completeness. Let

$$\begin{aligned} p_{F,z,z'} &\equiv p_F(\{f : f(z) = f(z')\}) \\ p_{G,z,z'} &\equiv p_G(\{g : g(z) = g(z')\}) \\ p_{(F,G),z,z'} &\equiv p_{(F,G)}(\{(f, g) : (f, g)(z) = (f, g)(z')\}). \end{aligned}$$

Then we have

$$\begin{aligned} &\sum_{z' \in \mathcal{Z}^n \setminus \{z\}:} p_{(F,G)}(\{(f, g) : (f, g)z = (f, g)z'\}) \\ &\stackrel{p_{(F,G),u,u'} > \frac{\alpha_{(F,G)}}{|\text{Im}\mathcal{F} \times \mathcal{G}|}}{\leq} \sum_{z' \in \mathcal{Z}^n \setminus \{z\}:} p_{F,z,z'} p_{G,z,z'} \\ &\stackrel{p_{F,z,z'} p_{G,z,z'} > \frac{\alpha_F \alpha_G}{|\text{Im}\mathcal{F}| |\text{Im}\mathcal{G}|}}{=} \sum_{z' \in \mathcal{Z}^n \setminus \{z\}:} p_{F,z,z'} p_{G,z,z'} + \sum_{z' \in \mathcal{Z}^n \setminus \{z\}:} p_{F,z,z'} p_{G,z,z'} \\ &\stackrel{p_{F,z,z'} p_{G,z,z'} > \frac{\alpha_F \alpha_G}{|\text{Im}\mathcal{F}| |\text{Im}\mathcal{G}|}}{=} \sum_{z' \in \mathcal{Z}^n \setminus \{z\}:} p_{F,z,z'} p_{G,z,z'} + \sum_{z' \in \mathcal{Z}^n \setminus \{z\}:} p_{F,z,z'} p_{G,z,z'} \\ &\stackrel{p_{F,z,z'} > \frac{\alpha_F}{|\text{Im}\mathcal{F}|}}{\leq} \sum_{z' \in \mathcal{Z}^n \setminus \{z\}:} p_{F,z,z'} + \sum_{z' \in \mathcal{Z}^n \setminus \{z\}:} p_{G,z,z'} \\ &\stackrel{p_{G,z,z'} > \frac{\alpha_G}{|\text{Im}\mathcal{G}|}}{\leq} \sum_{z' \in \mathcal{Z}^n \setminus \{z\}:} p_{F,z,z'} + \sum_{z' \in \mathcal{Z}^n \setminus \{z\}:} p_{G,z,z'} \\ &= \beta_F + \beta_G \\ &= \beta_{(F,G)}, \end{aligned} \tag{51}$$

where the first inequality comes from the fact that F and G are mutually independent and $\text{Im}\mathcal{F} \times \mathcal{G} \subset \text{Im}\mathcal{F} \times \text{Im}\mathcal{G}$, and the last inequality comes from the fact that $p_{F,z,z'} \leq 1$ and $p_{G,z,z'} \leq 1$. Then we have the fact that $(\mathcal{F} \times \mathcal{G}, p_{(F,G)})$ has an $(\alpha_{(F,G)}, \beta_{(F,G)})$ -hash property. \blacksquare

Next, we introduce lemmas that are multiple extensions of the *balanced-coloring property* and the *collision-resistant property*. We use the following notations. For each $s \in \mathcal{S}$, let \mathcal{F}_s be a set of functions on \mathcal{Z}_s^n and $c_s \in \text{Im}\mathcal{F}_s$. Let $\mathcal{Z}_{\mathcal{S}'}^n \equiv \times_{s \in \mathcal{S}'} \mathcal{Z}_s^n$ and

$$\begin{aligned} \alpha_{F_{\mathcal{S}'}} &\equiv \prod_{s \in \mathcal{S}'} \alpha_{F_s} \\ \beta_{F_{\mathcal{S}'}} &\equiv \prod_{s \in \mathcal{S}'} [\beta_{F_s} + 1] - 1, \end{aligned}$$

where $\prod_{s \in \emptyset} \theta_s \equiv 1$. It should be noted that

$$\begin{aligned} \lim_{n \rightarrow \infty} \alpha_{F_{\mathcal{S}'}} &= 1 \\ \lim_{n \rightarrow \infty} \beta_{F_{\mathcal{S}'}} &= 0 \end{aligned}$$

for every $S' \subset \mathcal{S}$ when $(\alpha_{F_s}, \beta_{F_s})$ satisfies (49) and (50) for all $s \in \mathcal{S}$. For $\mathcal{T} \subset \mathcal{Z}_S^n$ and $\mathbf{z}_{S'} \in \mathcal{Z}_{S'}^n$, let $\mathcal{T}_{S'}$ and $\mathcal{T}_{S^c|S'}(\mathbf{z}_{S'})$ be defined as

$$\begin{aligned}\mathcal{T}_{S'} &\equiv \{\mathbf{z}_{S'} : (\mathbf{z}_{S'}, \mathbf{z}_{S^c}) \in \mathcal{T} \text{ for some } \mathbf{z}_{S^c} \in \mathcal{Z}_{S^c}\} \\ \mathcal{T}_{S^c|S'}(\mathbf{z}_{S'}) &\equiv \{\mathbf{z}_{S^c} : (\mathbf{z}_{S'}, \mathbf{z}_{S^c}) \in \mathcal{T}\}.\end{aligned}$$

The following lemma is related to the *balanced-coloring property*, which is an extension of [32, Lemma 4], the leftover hash lemma [19] and the balanced-coloring lemma [3, Lemma 3.1] [9, Lemma 17.3]. This lemma implies that there is an assignment that divides a set equally.

Lemma 14 ([35, Lemma 4 in the extended version]): For each $s \in \mathcal{S}$, let \mathcal{F}_s be a set of functions on \mathcal{Z}_s^n and p_{F_s} be the probability distribution on \mathcal{F}_s , where (\mathcal{F}_s, p_{F_s}) satisfies (48). We assume that random variables $\{F_s\}_{s \in \mathcal{S}}$ are mutually independent. Then

$$E_{F_S} \left[\sum_{\mathbf{c}_S} \left| \frac{Q(\mathcal{T} \cap \mathcal{C}_{F_S}(\mathbf{c}_S))}{Q(\mathcal{T})} - \frac{1}{\prod_{s \in \mathcal{S}} |\text{Im} \mathcal{F}_s|} \right| \right] \leq \sqrt{\alpha_{F_S} - 1 + \sum_{S' \subset \mathcal{S}: S' \neq \emptyset} \alpha_{F_{S^c}} [\beta_{F_S} + 1] \left[\prod_{s \in S'} |\text{Im} \mathcal{F}_s| \right] \cdot \frac{\overline{Q}_{S^c}}{Q(\mathcal{T})}}$$

for any function $Q : \mathcal{Z}_S \rightarrow [0, \infty)$ and $\mathcal{T} \subset \mathcal{Z}_S^n$, where

$$\overline{Q}_{S^c} \equiv \begin{cases} \max_{\mathbf{z}_S \in \mathcal{T}} Q(\mathbf{z}_S) & \text{if } S^c = \mathcal{S} \\ \max_{\mathbf{z}_{S'} \in \mathcal{T}_{S'}} \sum_{\mathbf{z}_{S^c} \in \mathcal{T}_{S^c|S'}(\mathbf{z}_{S'})} Q(\mathbf{z}_{S'}, \mathbf{z}_{S^c}) & \text{if } \emptyset \neq S^c \subsetneq \mathcal{S} \end{cases} \quad (52)$$

Proof: Let $p_{\mathbf{z}_s, \mathbf{z}'_s} \equiv p_{F_s}(\{f_s : f_s(\mathbf{z}_s) = f_s(\mathbf{z}'_s)\})$ and let C_S be the random variable corresponding to the uniform distribution on $\times_{s \in \mathcal{S}} \text{Im} \mathcal{F}_s$. In the following, we use the relation

$$\begin{aligned}\sum_{\substack{\mathbf{z}_s \in \mathcal{Z}_s^n: \\ p_{\mathbf{z}_s, \mathbf{z}'_s} > \frac{\alpha_{F_s}}{|\text{Im} \mathcal{F}_s|}}} p_{\mathbf{z}_s, \mathbf{z}'_s} &= \sum_{\substack{\mathbf{z}_s \in \mathcal{Z}_s^n \setminus \{\mathbf{z}'_s\}: \\ p_{\mathbf{z}_s, \mathbf{z}'_s} > \frac{\alpha_{F_s}}{|\text{Im} \mathcal{F}_s|}}} p_{\mathbf{z}_s, \mathbf{z}'_s} + p_{\mathbf{z}'_s, \mathbf{z}'_s} \\ &\leq \beta_{F_s} + 1\end{aligned} \quad (53)$$

for all $\mathbf{z}'_s \in \mathcal{Z}_s^n$, which comes from (48) and the fact that $p_{\mathbf{z}'_s, \mathbf{z}'_s} = 1$,

First, we have

$$\begin{aligned}\sum_{\substack{\mathbf{z}_S \in \mathcal{T}: \\ p_{\mathbf{z}_s, \mathbf{z}'_s} > \frac{\alpha_{F_s}}{|\text{Im} \mathcal{F}_s|} \text{ for all } s \in S' \\ p_{\mathbf{z}_s, \mathbf{z}'_s} \leq \frac{\alpha_{F_s}}{|\text{Im} \mathcal{F}_s|} \text{ for all } s \in S^c}} Q(\mathbf{z}_S) \prod_{s \in \mathcal{S}} p_{\mathbf{z}_s, \mathbf{z}'_s} &= \sum_{\substack{\mathbf{z}_{S'} \in \mathcal{T}_{S'}: \\ p_{\mathbf{z}_s, \mathbf{z}'_s} > \frac{\alpha_{F_s}}{|\text{Im} \mathcal{F}_s|} \\ \text{for all } s \in S'}} \left[\prod_{s \in S'} p_{\mathbf{z}_s, \mathbf{z}'_s} \right] \sum_{\substack{\mathbf{z}_{S^c} \in \mathcal{T}_{S^c|S'}(\mathbf{z}_{S'}): \\ p_{\mathbf{z}_s, \mathbf{z}'_s} \leq \frac{\alpha_{F_s}}{|\text{Im} \mathcal{F}_s|} \\ \text{for all } s \in S'}} Q(\mathbf{z}_{S'}, \mathbf{z}_{S^c}) \prod_{s \in S^c} p_{\mathbf{z}_s, \mathbf{z}'_s} \\ &\leq \left[\prod_{s \in S^c} \frac{\alpha_{F_s}}{|\text{Im} \mathcal{F}_s|} \right] \sum_{\substack{\mathbf{z}_{S'} \in \mathcal{T}_{S'}: \\ p_{\mathbf{z}_s, \mathbf{z}'_s} > \frac{\alpha_{F_s}}{|\text{Im} \mathcal{F}_s|} \\ \text{for all } s \in S'}} \left[\prod_{s \in S'} p_{\mathbf{z}_s, \mathbf{z}'_s} \right] \sum_{\mathbf{z}_{S^c} \in \mathcal{T}_{S^c|S'}(\mathbf{z}_{S'})} Q(\mathbf{z}_{S'}, \mathbf{z}_{S^c}) \\ &\leq \overline{Q}_{S^c} \left[\prod_{s \in S^c} \frac{\alpha_{F_s}}{|\text{Im} \mathcal{F}_s|} \right] \prod_{s \in S'} \left[\sum_{\substack{\mathbf{z}_s \in \mathcal{Z}_s^n: \\ p_{\mathbf{z}_s, \mathbf{z}'_s} > \frac{\alpha_{F_s}}{|\text{Im} \mathcal{F}_s|}}} p_{\mathbf{z}_s, \mathbf{z}'_s} \right] \\ &\leq \overline{Q}_{S^c} \left[\prod_{s \in S^c} \frac{\alpha_{F_s}}{|\text{Im} \mathcal{F}_s|} \right] \prod_{s \in S'} [\beta_{F_s} + 1] \\ &= \frac{\alpha_{F_{S^c}} [\beta_{F_{S^c}} + 1] \overline{Q}_{S^c}}{\prod_{s \in S^c} |\text{Im} \mathcal{F}_s|}\end{aligned} \quad (54)$$

for all (\mathbf{z}'_S, S') satisfying $\mathbf{z}'_S \in \mathcal{T}$ and $\emptyset \neq S' \subsetneq \mathcal{S}$, where the second inequality comes from (52) and the third inequality comes from (53). It should be noted that (54) is valid for the cases of $S^c = \emptyset$ and $S^c = \mathcal{S}$ by letting $\overline{Q}_{\emptyset} \equiv Q(\mathcal{T})$ because

$$\begin{aligned}\sum_{\substack{\mathbf{z}_S \in \mathcal{T}: \\ p_{\mathbf{z}_s, \mathbf{z}'_s} \leq \frac{\alpha_{F_s}}{|\text{Im} \mathcal{F}_s|} \text{ for all } s \in \mathcal{S}}} Q(\mathbf{z}_S) \prod_{s \in \mathcal{S}} p_{\mathbf{z}_s, \mathbf{z}'_s} &\leq \frac{\alpha_{F_S} Q(\mathcal{T})}{\prod_{s \in \mathcal{S}} |\text{Im} \mathcal{F}_s|} \\ &= \frac{\alpha_{F_S} [\beta_{F_{\emptyset}} + 1] \overline{Q}_{\emptyset}}{\prod_{s \in \mathcal{S}} |\text{Im} \mathcal{F}_s|}\end{aligned} \quad (55)$$

and

$$\begin{aligned}
\sum_{\substack{\mathbf{z}_S \in \mathcal{T}: \\ \frac{\alpha_{F_S}}{|\text{Im}\mathcal{F}_S|} > \frac{\alpha_{F_S}}{|\text{Im}\mathcal{F}_S|} \text{ for all } s \in S}} Q(\mathbf{z}_S) \prod_{s \in S} p_{\mathbf{z}_s, \mathbf{z}'_s} &\leq \left[\max_{\mathbf{z}_S \in \mathcal{T}} Q(\mathbf{z}_S) \right] \sum_{\substack{\mathbf{z}_S \in \mathcal{T}: \\ \frac{\alpha_{F_S}}{|\text{Im}\mathcal{F}_S|} > \frac{\alpha_{F_S}}{|\text{Im}\mathcal{F}_S|} \text{ for all } s \in S}} \prod_{s \in S} p_{\mathbf{z}_s, \mathbf{z}'_s} \\
&\leq \left[\max_{\mathbf{z}_S \in \mathcal{T}} Q(\mathbf{z}_S) \right] \prod_{s \in S} \left[\sum_{\substack{\mathbf{z}_s \in \mathcal{Z}_s^n: \\ \frac{\alpha_{F_S}}{|\text{Im}\mathcal{F}_S|} > \frac{\alpha_{F_S}}{|\text{Im}\mathcal{F}_S|}}} p_{\mathbf{z}_s, \mathbf{z}'_s} \right] \\
&\leq \left[\max_{\mathbf{z}_S \in \mathcal{T}} Q(\mathbf{z}_S) \right] \prod_{s \in S} [\beta_{F_S} + 1] \\
&= \frac{\alpha_{F_\emptyset} [\beta_{F_S} + 1] \bar{Q}_S}{\prod_{s \in \emptyset} |\text{Im}\mathcal{F}_s|}. \tag{56}
\end{aligned}$$

Then we have

$$\begin{aligned}
\sum_{\mathbf{z}_S \in \mathcal{T}} Q(\mathbf{z}_S) \prod_{s \in S} p_{\mathbf{z}_s, \mathbf{z}'_s} &\leq \sum_{S' \subset S} \sum_{\substack{\mathbf{z}_S \in \mathcal{T}: \\ \frac{\alpha_{F_S}}{|\text{Im}\mathcal{F}_S|} > \frac{\alpha_{F_S}}{|\text{Im}\mathcal{F}_S|} \text{ for all } s \in S' \\ \frac{\alpha_{F_S}}{|\text{Im}\mathcal{F}_S|} \leq \frac{\alpha_{F_S}}{|\text{Im}\mathcal{F}_S|} \text{ for all } s \in S'^c}} Q(\mathbf{z}_S) \prod_{s \in S} p_{\mathbf{z}_s, \mathbf{z}'_s} \\
&\leq \sum_{S' \subset S} \frac{\alpha_{F_{S'^c}} [\beta_{F_{S'}} + 1] \bar{Q}_{S'^c}}{\prod_{s \in S'^c} |\text{Im}\mathcal{F}_s|} \\
&= \frac{\alpha_{F_S} Q(\mathcal{T})}{\prod_{s \in S} |\text{Im}\mathcal{F}_s|} + \sum_{\substack{S' \subset S: \\ S' \neq \emptyset}} \frac{\alpha_{F_{S'^c}} [\beta_{F_{S'}} + 1] \bar{Q}_{S'}}{\prod_{s \in S'^c} |\text{Im}\mathcal{F}_s|} \tag{57}
\end{aligned}$$

for all $\mathbf{z}'_S \in \mathcal{T}$, where the equality comes from the fact that $\bar{Q}_\emptyset = Q(\mathcal{T})$ and $\beta_{F_\emptyset} = 0$.

Next, let C_S be the random variable subject to the uniform distribution on $\times_{s \in S} \text{Im}\mathcal{F}_s$. From (57), we have

$$\begin{aligned}
E_{F_S C_S} \left[\left[\sum_{\mathbf{z}_S \in \mathcal{T}} Q(\mathbf{z}_S) \chi(F_S(\mathbf{z}_S) = C_S) \right]^2 \right] &= \sum_{\mathbf{z}'_S \in \mathcal{T}} Q(\mathbf{z}'_S) \sum_{\mathbf{z}_S \in \mathcal{T}} Q(\mathbf{z}_S) E_{F_S} [\chi(F_S(\mathbf{z}_S) = F_S(\mathbf{z}'_S))] E_{C_S} [\chi(F_S(\mathbf{z}_S) = C_S)] \\
&= \frac{1}{\prod_{s \in S} |\text{Im}\mathcal{F}_s|} \sum_{\mathbf{z}'_S \in \mathcal{T}} Q(\mathbf{z}'_S) \sum_{\mathbf{z}_S \in \mathcal{T}} Q(\mathbf{z}_S) \prod_{s \in S} p_{\mathbf{z}_s, \mathbf{z}'_s} \\
&\leq \frac{\alpha_{F_S} Q(\mathcal{T})^2}{[\prod_{s \in S} |\text{Im}\mathcal{F}_s|]^2} + \frac{Q(\mathcal{T})}{\prod_{s \in S} |\text{Im}\mathcal{F}_s|} \sum_{\substack{S' \subset S: \\ S' \neq \emptyset}} \frac{\alpha_{F_{S'^c}} [\beta_{F_{S'}} + 1] \bar{Q}_{S'}}{\prod_{s \in S'^c} |\text{Im}\mathcal{F}_s|}. \tag{58}
\end{aligned}$$

Then we have

$$\begin{aligned}
&E_{F_S C_S} \left[\left[\frac{Q(\mathcal{T} \cap \mathcal{E}_{F_S}(C_S)) \prod_{s \in S} |\text{Im}\mathcal{F}_s|}{Q(\mathcal{T})} - 1 \right]^2 \right] \\
&= E_{F_S C_S} \left[\left[\sum_{\mathbf{z}_S \in \mathcal{T}} \frac{Q(\mathbf{z}) \chi(F_S(\mathbf{z}_S) = C_S) \prod_{s \in S} |\text{Im}\mathcal{F}_s|}{Q(\mathcal{T})} \right]^2 \right] - 2 E_{F_S C_S} \left[\sum_{\mathbf{z}_S \in \mathcal{T}} \frac{Q(\mathbf{z}) \chi(F_S(\mathbf{z}_S) = C_S) \prod_{s \in S} |\text{Im}\mathcal{F}_s|}{Q(\mathcal{T})} \right] + 1 \\
&= E_{F_S C_S} \left[\left[\sum_{\mathbf{z}_S \in \mathcal{T}} \frac{Q(\mathbf{z}) \chi(F_S(\mathbf{z}_S) = C_S) \prod_{s \in S} |\text{Im}\mathcal{F}_s|}{Q(\mathcal{T})} \right]^2 \right] - 2 \sum_{\mathbf{z}_S \in \mathcal{T}} \frac{Q(\mathbf{z}) E_{F_S C_S} [\chi(F_S(\mathbf{z}_S) = C_S)] \prod_{s \in S} |\text{Im}\mathcal{F}_s|}{Q(\mathcal{T})} + 1 \\
&= \frac{\left[\prod_{s \in S} |\text{Im}\mathcal{F}_s| \right]^2}{Q(\mathcal{T})^2} E_{F_S C_S} \left[\left[\sum_{\mathbf{z}_S \in \mathcal{T}} Q(\mathbf{z}_S) \chi(F_S(\mathbf{z}_S) = C_S) \right]^2 \right] - 1 \\
&\leq \alpha_{F_S} - 1 + \sum_{\substack{S' \subset S \\ S' \neq \emptyset}} \alpha_{F_{S'^c}} [\beta_{F_{S'}} + 1] \left[\prod_{s \in S'} |\text{Im}\mathcal{F}_s| \right] \cdot \frac{\bar{Q}_{S'^c}}{Q(\mathcal{T})}, \tag{59}
\end{aligned}$$

where the inequality comes from (58).

Finally, the lemma is confirmed by

$$\begin{aligned}
E_{F_S} \left[\sum_{\mathbf{c}_S} \left| \frac{Q(\mathcal{T} \cap \mathfrak{C}_{F_S}(\mathbf{c}_S))}{Q(\mathcal{T})} - \frac{1}{\prod_{s \in \mathcal{S}} |\text{Im} \mathcal{F}_s|} \right| \right] &= E_{F_S C_S} \left[\left| \frac{Q(\mathcal{T} \cap \mathfrak{C}_{F_S}(C_S)) \prod_{s \in \mathcal{S}} |\text{Im} \mathcal{F}_s|}{Q(\mathcal{T})} - 1 \right| \right] \\
&= E_{F_S C_S} \left[\sqrt{\left[\frac{Q(\mathcal{T} \cap \mathfrak{C}_{F_S}(C_S)) \prod_{s \in \mathcal{S}} |\text{Im} \mathcal{F}_s|}{Q(\mathcal{T})} - 1 \right]^2} \right] \\
&\leq \sqrt{E_{F_S C_S} \left[\left[\frac{Q(\mathcal{T} \cap \mathfrak{C}_{F_S}(C_S)) \prod_{s \in \mathcal{S}} |\text{Im} \mathcal{F}_s|}{Q(\mathcal{T})} - 1 \right]^2 \right]} \\
&\leq \sqrt{\alpha_{F_S} - 1 + \sum_{\substack{S' \subset \mathcal{S}: \\ S' \neq \emptyset}} \alpha_{F_{S'^c}} [\beta_{F_S} + 1] \left[\prod_{s \in S'} |\text{Im} \mathcal{F}_s| \right] \cdot \frac{\overline{Q}_{S'^c}}{Q(\mathcal{T})}}, \quad (60)
\end{aligned}$$

where the first inequality comes from the Jensen inequality. \blacksquare

The following lemma is a multiple extension of the *collision-resistant property*. This lemma implies that there is an assignment such that every bin contains at most one item.

Lemma 15 ([31, Lemma 7 in the extended version]): For each $s \in \mathcal{S}$, let \mathcal{F}_s be a set of functions on \mathcal{Z}_s^n and p_{F_s} be the probability distribution on \mathcal{F}_s , where (\mathcal{F}_s, p_{F_s}) satisfies (48). We assume that random variables $\{F_s\}_{s \in \mathcal{S}}$ are mutually independent. Then

$$p_{F_S}(\{f_S : [\mathcal{T} \setminus \{z_S\}] \cap \mathfrak{C}_{f_S}(f_S(z_S)) \neq \emptyset\}) \leq \sum_{\substack{S' \subset \mathcal{S}: \\ S' \neq \emptyset}} \frac{\alpha_{F_{S'}} [\beta_{F_{S'^c}} + 1] \overline{O}_{S'}}{\prod_{s \in S'} |\text{Im} \mathcal{F}_s|} + \beta_{F_S}$$

for all $\mathcal{T} \subset \mathcal{Z}_S^n$ and $z_S \in \mathcal{Z}_S^n$, where

$$\overline{O}_{S'} \equiv \begin{cases} |\mathcal{T}| & \text{if } S' = \mathcal{S}, \\ \max_{z_{S'^c} \in \mathcal{T}_{S'^c}} |\mathcal{T}_{S' | S'^c}(z_{S'^c})|, & \text{if } \emptyset \neq S' \subsetneq \mathcal{S} \end{cases}$$

Proof: Let $p_{z_s, z'_s} \equiv p_{F_s}(\{f_s : f_s(z_s) = f_s(z'_s)\})$. By interchanging S' and S'^c , and letting $\overline{O}_\emptyset = 1$ and $O(z_S) \equiv 1$ for each $z_S \in \mathcal{Z}_S^n$, we have the fact that

$$\begin{aligned}
\sum_{\substack{z_{S'} \in \mathcal{T}: \\ p_{z_s, z'_s} \leq \frac{\alpha_{F_s}}{|\text{Im} \mathcal{F}_s|} \text{ for all } s \in S' \\ p_{z_s, z'_s} > \frac{\alpha_{F_s}}{|\text{Im} \mathcal{F}_s|} \text{ for all } s \in S'^c}} \prod_{s \in S'} p_{z_s, z'_s} &\leq \frac{\alpha_{F_{S'}} [\beta_{F_{S'^c}} + 1] \overline{O}_{S'}}{\prod_{s \in S'} |\text{Im} \mathcal{F}_s|} \quad (61)
\end{aligned}$$

for all $z'_{S'} \in \mathcal{Z}_{S'}^n$ and $S' \subset \mathcal{S}$ from (54). Then we have

$$\begin{aligned}
p_{F_S}(\{f_S : [\mathcal{T} \setminus \{z_S\}] \cap \mathfrak{C}_{f_S}(f_S z_S) \neq \emptyset\}) &\leq \sum_{z_S \in \mathcal{T} \setminus \{z'_S\}} p_{F_S}(\{f_S : f_S(z_S) = f_S(z'_S)\}) \\
&= \sum_{z_S \in \mathcal{T} \setminus \{z'_S\}} p_{F_S}(\{f_S : f_S(z_s) = f_S(z'_s) \text{ for all } s \in \mathcal{S}\}) \\
&= \sum_{z_S \in \mathcal{T}} \prod_{s \in \mathcal{S}} p_{z_s, z'_s} - \prod_{s \in \mathcal{S}} p_{z'_s, z'_s} \\
&= \sum_{S' \subset \mathcal{S}} \sum_{\substack{z_S \in \mathcal{T}: \\ p_{z_s, z'_s} \leq \frac{\alpha_{F_s}}{|\text{Im} \mathcal{F}_s|} \text{ for all } s \in S' \\ p_{z_s, z'_s} > \frac{\alpha_{F_s}}{|\text{Im} \mathcal{F}_s|} \text{ for all } s \in S'^c}} \prod_{s \in \mathcal{S}} p_{z_s, z'_s} - 1 \\
&\leq \sum_{S' \subset \mathcal{S}} \frac{\alpha_{F_{S'}} [\beta_{F_{S'^c}} + 1] \overline{O}_{S'}}{\prod_{s \in S'} |\text{Im} \mathcal{F}_s|} - 1 \\
&= \sum_{\substack{S' \subset \mathcal{S}: \\ S' \neq \emptyset}} \frac{\alpha_{F_{S'}} [\beta_{F_{S'^c}} + 1] \overline{O}_{S'}}{\prod_{s \in S'} |\text{Im} \mathcal{F}_s|} + \beta_{F_S} \quad (62)
\end{aligned}$$

for all $\mathcal{T} \subset \mathcal{Z}_S^n$ and $z'_{S'} \in \mathcal{Z}_{S'}^n$, where the third equality comes from the fact that $p_{z'_s, z'_s} = 1$, the second inequality comes from (61), and the last equality comes from the fact that $\alpha_{F_\emptyset} = 1$, $\beta_{F_{\emptyset^c}} = \beta_{F_S}$, $\prod_{s \in \emptyset} |\text{Im} \mathcal{F}_s| = 1$, and $\overline{O}_\emptyset = 1$. \blacksquare

D. Proof of Lemma 16

Let us assume that ensembles $(\mathcal{F}_s, p_{\mathcal{F}_s})$ and $(\mathcal{G}_s, p_{\mathcal{G}_s})$ have the hash property ((48) in Appendix C) for every $s \in \mathcal{S}$, where their dependence on n is omitted. In the following, we omit the dependence of Z on n , when it appears in the subscript of μ . Moreover, we omit the dependence of α and β on n ,

From Lemma 13 in Appendix C, we have the fact that the joint ensemble $(\mathcal{F}_s \times \mathcal{G}_s, p_{(\mathcal{F}, \mathcal{G})_s})$ also satisfies the hash property. In the proof of Theorem 2, we apply the following lemma to the joint ensemble $(\mathcal{F}_s \times \mathcal{G}_s, p_{(\mathcal{F}, \mathcal{G})_s})$.

Lemma 16 ([29, Eq. (50)]): For given disjoint sets \mathcal{S} and $\hat{\mathcal{S}}$, let $\{Z_{\mathcal{S} \cup \hat{\mathcal{S}}}^n\}_{n=1}^\infty$ be general correlated sources, where $Z_{\mathcal{S} \cup \hat{\mathcal{S}}}^n \equiv \{Z_s^n\}_{s \in \mathcal{S} \cup \hat{\mathcal{S}}}$. Let \mathcal{I} be defined as

$$\mathcal{I} \equiv \left\{ (z_{\hat{\mathcal{S}}}, z_{\mathcal{S}}) : \frac{1}{n} \log_2 \frac{1}{\mu_{Z_{\mathcal{S}'|Z_{\hat{\mathcal{S}}}}}(z_{\mathcal{S}'}|z_{\hat{\mathcal{S}}})} \geq \underline{H}(Z_{\mathcal{S}'}|Z_{\hat{\mathcal{S}}}) - \varepsilon \right. \\ \left. \text{for all } \mathcal{S}' \subset \mathcal{S} \cup \hat{\mathcal{S}} \right\}.$$

Then we have

$$E_{\mathcal{F}_S} \left[\sum_{z_{\hat{\mathcal{S}}} \in \mathcal{Z}_{\hat{\mathcal{S}}}^n, c_S \in \text{Im}\mathcal{F}_S} \mu_{Z_{\hat{\mathcal{S}}}}(z_{\hat{\mathcal{S}}}) \left| \mu_{Z_S|Z_{\hat{\mathcal{S}}}}(\mathbf{c}_{\mathcal{F}_S}(c_S)|z_{\hat{\mathcal{S}}}) - \frac{1}{\prod_{s \in \mathcal{S}} |\text{Im}\mathcal{F}_s|} \right| \right] \\ \leq \sqrt{\alpha_{\mathcal{F}_S} - 1 + \sum_{S' \subset \mathcal{S}: S' \neq \emptyset} \alpha_{\mathcal{F}_{S'}|S'} [\beta_{\mathcal{F}_{S'}} + 1] \left[\prod_{s \in S'} |\text{Im}\mathcal{F}_s| \right] 2^{-n[\underline{H}(Z_{S'}|Z_{\hat{\mathcal{S}}}) - \varepsilon]} + 2\mu_{Z_{\hat{\mathcal{S}} \cup \mathcal{S}}}(\mathcal{I}^c)}.$$

Proof: Let $\mathcal{I}(z_{\hat{\mathcal{S}}})$ be defined as

$$\mathcal{I}(z_{\hat{\mathcal{S}}}) \equiv \{z_S : (z_{\hat{\mathcal{S}}}, z_S) \in \mathcal{I}\}.$$

Then we have

$$E_{\mathcal{F}_S} \left[\sum_{z_{\hat{\mathcal{S}}} \in \mathcal{Z}_{\hat{\mathcal{S}}}^n, c_S \in \text{Im}\mathcal{F}_S} \mu_{Z_{\hat{\mathcal{S}}}}(z_{\hat{\mathcal{S}}}) \left| \mu_{Z_S|Z_{\hat{\mathcal{S}}}}(\mathbf{c}_{\mathcal{F}_S}(c_S)|z_{\hat{\mathcal{S}}}) - \frac{1}{\prod_{s \in \mathcal{S}} |\text{Im}\mathcal{F}_s|} \right| \right] \\ \leq E_{\mathcal{F}_S} \left[\sum_{z_{\hat{\mathcal{S}}} \in \mathcal{Z}_{\hat{\mathcal{S}}}^n, c_S \in \text{Im}\mathcal{F}_S} \mu_{Z_S|Z_{\hat{\mathcal{S}}}}(\mathcal{I}(z_{\hat{\mathcal{S}}}) \cap \mathbf{c}_{\mathcal{F}_S}(c_S)|z_{\hat{\mathcal{S}}}) - \frac{\mu_{Z_S|Z_{\hat{\mathcal{S}}}}(\mathcal{I}(z_{\hat{\mathcal{S}}})|z_{\hat{\mathcal{S}}})}{\prod_{s \in \mathcal{S}} |\text{Im}\mathcal{F}_s|} \right] \\ + E_{\mathcal{F}_S} \left[\sum_{z_{\hat{\mathcal{S}}} \in \mathcal{Z}_{\hat{\mathcal{S}}}^n, c_S \in \text{Im}\mathcal{F}_S} \mu_{Z_S|Z_{\hat{\mathcal{S}}}}(\mathcal{I}(z_{\hat{\mathcal{S}}})^c \cap \mathbf{c}_{\mathcal{F}_S}(c_S)|z_{\hat{\mathcal{S}}}) \mu_{Z_{\hat{\mathcal{S}}}}(z_{\hat{\mathcal{S}}}) \right] \\ + E_{\mathcal{F}_S} \left[\sum_{z_{\hat{\mathcal{S}}} \in \mathcal{Z}_{\hat{\mathcal{S}}}^n, c_S \in \text{Im}\mathcal{F}_S} \frac{\mu_{Z_S|Z_{\hat{\mathcal{S}}}}(\mathcal{I}_{Z_S|Z_{\hat{\mathcal{S}}}}(z_{\hat{\mathcal{S}}})^c|z_{\hat{\mathcal{S}}}) \mu_{Z_{\hat{\mathcal{S}}}}(z_{\hat{\mathcal{S}}})}{\prod_{s \in \mathcal{S}} |\text{Im}\mathcal{F}_s|} \right] \\ = \sum_{z_{\hat{\mathcal{S}}} \in \mathcal{Z}_{\hat{\mathcal{S}}}^n} \mu_{Z_S|Z_{\hat{\mathcal{S}}}}(\mathcal{I}(z_{\hat{\mathcal{S}}})|z_{\hat{\mathcal{S}}}) \mu_{Z_{\hat{\mathcal{S}}}}(z_{\hat{\mathcal{S}}}) E_{\mathcal{F}_S} \left[\sum_{c_S \in \text{Im}\mathcal{F}_S} \left| \frac{\mu_{Z_S|Z_{\hat{\mathcal{S}}}}(\mathcal{I}(z_{\hat{\mathcal{S}}}) \cap \mathbf{c}_{\mathcal{F}_S}(c_S)|z_{\hat{\mathcal{S}}})}{\mu_{Z_S|Z_{\hat{\mathcal{S}}}}(\mathcal{I}(z_{\hat{\mathcal{S}}})|z_{\hat{\mathcal{S}}})} - \frac{1}{\prod_{s \in \mathcal{S}} |\text{Im}\mathcal{F}_s|} \right| \right] \\ + 2 \sum_{z_{\hat{\mathcal{S}}} \in \mathcal{Z}_{\hat{\mathcal{S}}}^n} \mu_{Z_S|Z_{\hat{\mathcal{S}}}}(\mathcal{I}(z_{\hat{\mathcal{S}}})^c|z_{\hat{\mathcal{S}}}) \mu_{Z_{\hat{\mathcal{S}}}}(z_{\hat{\mathcal{S}}}) \\ \leq \sum_{z_{\hat{\mathcal{S}}} \in \mathcal{Z}_{\hat{\mathcal{S}}}^n} \mu_{Z_S|Z_{\hat{\mathcal{S}}}}(\mathcal{I}(z_{\hat{\mathcal{S}}})|z_{\hat{\mathcal{S}}}) \mu_{Z_{\hat{\mathcal{S}}}}(z_{\hat{\mathcal{S}}}) \sqrt{\alpha_{\mathcal{F}_S} - 1 + \sum_{S' \subset \mathcal{S}: S' \neq \emptyset} \alpha_{\mathcal{F}_{S'}|S'} [\beta_{\mathcal{F}_{S'}} + 1] \left[\prod_{s \in S'} |\text{Im}\mathcal{F}_s| \right] \frac{2^{-n[\underline{H}(Z_{S'}|Z_{\hat{\mathcal{S}}}) - \varepsilon]}}{\mu_{Z_S|Z_{\hat{\mathcal{S}}}}(\mathcal{I}(z_{\hat{\mathcal{S}}})|z_{\hat{\mathcal{S}}})}} \\ + 2\mu_{Z_{\hat{\mathcal{S}} \cup \mathcal{S}}}(\mathcal{I}^c), \\ \leq \sum_{z_{\hat{\mathcal{S}}} \in \mathcal{Z}_{\hat{\mathcal{S}}}^n} \mu_{Z_{\hat{\mathcal{S}}}}(z_{\hat{\mathcal{S}}}) \sqrt{\alpha_{\mathcal{F}_S} - 1 + \sum_{S' \subset \mathcal{S}: S' \neq \emptyset} \alpha_{\mathcal{F}_{S'}|S'} [\beta_{\mathcal{F}_{S'}} + 1] \left[\prod_{s \in S'} |\text{Im}\mathcal{F}_s| \right] 2^{-n[\underline{H}(Z_{S'}|Z_{\hat{\mathcal{S}}}) - \varepsilon]} + 2\mu_{Z_{\hat{\mathcal{S}} \cup \mathcal{S}}}(\mathcal{I}^c)} \\ = \sqrt{\alpha_{\mathcal{F}_S} - 1 + \sum_{S' \subset \mathcal{S}: S' \neq \emptyset} \alpha_{\mathcal{F}_{S'}|S'} [\beta_{\mathcal{F}_{S'}} + 1] \left[\prod_{s \in S'} |\text{Im}\mathcal{F}_s| \right] 2^{-n[\underline{H}(Z_{S'}|Z_{\hat{\mathcal{S}}}) - \varepsilon]} + 2\mu_{Z_{\hat{\mathcal{S}} \cup \mathcal{S}}}(\mathcal{I}^c)}, \quad (63)$$

where the second inequality comes from Lemma 14 in Appendix C by letting

$$\mathcal{T} \equiv \mathcal{I}(z_{\hat{\mathcal{S}}})$$

$$Q \equiv \mu_{Z_S|Z_{\hat{S}}}(\cdot|z_{\hat{S}})$$

and using the relations

$$\begin{aligned} \mathcal{T}_{S'} &\subset \left\{ z_{S'} : \frac{1}{n} \log_2 \frac{1}{\mu_{Z_{S'}|Z_{\hat{S}}}(z_{S'}|z_{\hat{S}})} \geq \underline{H}(Z_{S'}|Z_{\hat{S}}) - \varepsilon \right\} \\ \overline{Q}_{S'^c} &= \max_{z_{S'} \in \mathcal{T}_{S'}} \sum_{z_{S'^c} \in \mathcal{T}_{S'^c|S'}(z_{S'})} \mu_{Z_S|Z_{\hat{S}}}(z_S|z_{\hat{S}}) \\ &\leq \max_{z_{S'} \in \mathcal{T}_{S'}} \mu_{Z_{S'}|Z_{\hat{S}}}(z_{S'}|z_{\hat{S}}) \\ &\leq 2^{-n[\underline{H}(Z_{S'}|Z_{\hat{S}}) - \varepsilon]}. \end{aligned} \quad (64)$$

■

E. Proof of Lemma 18

Assume that (\mathcal{F}_s, p_{F_s}) has the hash property ((48) in Appendix C) for every $s \in \mathcal{D}_j$, where their dependence on n is omitted. In the following, we also omit the dependence of C, Y, Z , and \hat{Z} on n , when it appears in the subscript of μ . We omit the dependence of α and β on n . In the following, we fix $j \in \mathcal{J}$ and omit subscript j .

Let us assume that (Z_S, C_S, Y, \hat{Z}_D) satisfies the Markov relation

$$Z_S^n \leftrightarrow (C_S^{(n)}, Y^n) \leftrightarrow \hat{Z}_D^n \quad (65)$$

and

$$f_s(Z_s^n) = C_s^{(n)} \quad (66)$$

for all $s \in \mathcal{S}$ and $n \in \mathbb{N}$. For given $\varepsilon > 0$, let $\overline{\mathcal{T}}$ be defined as

$$\overline{\mathcal{T}} \equiv \left\{ (z_D, \mathbf{y}) : \begin{aligned} &\frac{1}{n} \log_2 \frac{1}{\mu_{Z_{D'}|Y Z_{D \setminus D'}}(z_{D'}|\mathbf{y}, z_{D \setminus D'})} \leq \overline{H}(Z_{D'}|Y, Z_{D \setminus D'}) + \varepsilon \\ &\text{for all } D' \text{ satisfying } \emptyset \neq D' \subset D \end{aligned} \right\}. \quad (67)$$

First, we show the following lemma.

Lemma 17 ([35, Eq. (58)]): Let us assume that $\check{z}_D(c_D|\mathbf{y})$ outputs one of the elements in $\overline{\mathcal{T}} \cap \mathcal{C}_{f_D}(c_D)$ and declares an error when $\overline{\mathcal{T}} \cap \mathcal{C}_{f_D}(c_D) = \emptyset$. Then we have

$$\begin{aligned} &E_{F_D} [\mu_{Z_D Y} (\{(z_D, \mathbf{y}) : \check{z}_D(F_D(z_D)|\mathbf{y}) \neq z_D\})] \\ &\leq \sum_{D' \subset D: D' \neq \emptyset} \alpha_{F_{D'}} [\beta_{F_{D \setminus D'}} + 1] \frac{2^{n[\overline{H}(Z_{D'}|Y, Z_{D \setminus D'}) + \varepsilon]}}{\prod_{s \in D'} |\text{Im} \mathcal{F}_s|} + \beta_{F_D} + \mu_{Z_D Y}(\overline{\mathcal{T}}^c). \end{aligned}$$

Proof: Let $\overline{\mathcal{T}}(\mathbf{y}) \equiv \{z_D : (z_D, \mathbf{y}) \in \overline{\mathcal{T}}\}$ and assume that $(z_D, \mathbf{y}) \in \overline{\mathcal{T}}$ and $\check{z}_D(f_D(z_D)|\mathbf{y}) \neq z_D$. Since $z_D \in \mathcal{C}_{f_D}(f_D(z_D))$, we have $[\overline{\mathcal{T}}(\mathbf{y}) \setminus \{z_D\}] \cap \mathcal{C}_{f_D}(f_D(z_D)) \neq \emptyset$. We have

$$\begin{aligned} E_{F_D} [\chi(\check{z}_D(F_D(z_D)|\mathbf{y}) \neq z_D)] &\leq p_{F_D} (\{f_D : [\overline{\mathcal{T}}_{z_D}(\mathbf{y}) \setminus \{z_D\}] \cap \mathcal{C}_{f_D}(f_D(z_D)) \neq \emptyset\}) \\ &\leq \sum_{D' \subset D: D' \neq \emptyset} \frac{\alpha_{F_{D'}} [\beta_{F_{D \setminus D'}} + 1] \overline{O}_{D'}}{\prod_{s \in D'} |\text{Im} \mathcal{F}_s|} + \beta_{F_D} \\ &\leq \sum_{D' \subset D: D' \neq \emptyset} \alpha_{F_{D'}} [\beta_{F_{D \setminus D'}} + 1] \frac{2^{n[\overline{H}(Z_{D'}|Y, Z_{D \setminus D'}) + \varepsilon]}}{\prod_{s \in D'} |\text{Im} \mathcal{F}_s|} + \beta_{F_D}, \end{aligned} \quad (68)$$

where the second inequality comes from Lemma 15 in Appendix C by letting $\mathcal{T} \equiv \overline{\mathcal{T}}$ and the third inequality comes from the fact that

$$\overline{O}_{D'} \leq 2^{n[\overline{H}(Z_{D'}|Y, Z_{D \setminus D'}) + \varepsilon]}.$$

We have

$$\begin{aligned} &E_{F_D} [\mu_{Z_D Y} (\{(z_D, \mathbf{y}) : \check{z}_D(F_D(z_D)|\mathbf{y}) \neq z_D\})] \\ &= E_{F_D} \left[\sum_{z_D \in \mathcal{Z}_D^n, \mathbf{y} \in \mathcal{Y}^n} \mu_{Z_D Y}(z_D, \mathbf{y}) \chi(\check{z}_D(F_D(z_D)|\mathbf{y}) \neq z_D) \right] \\ &= \sum_{(z_D, \mathbf{y}) \in \overline{\mathcal{T}}_{z_D}} \mu_{Z_D Y}(z_D, \mathbf{y}) E_{F_D} [\chi(\check{z}_D(F_D(z_D)|\mathbf{y}) \neq z_D)] + \sum_{(z_D, \mathbf{y}) \in \overline{\mathcal{T}}_{z_D}^c} \mu_{Z_D Y}(z_D, \mathbf{y}) E_{F_D} [\chi(\check{z}_D(F_D(z_D)|\mathbf{y}) \neq z_D)] \end{aligned}$$

$$\leq \sum_{\mathcal{D}' \subset \mathcal{D}: \mathcal{D}' \neq \emptyset} \alpha_{F_{\mathcal{D}'}} \left[\beta_{F_{\mathcal{D}'}} + 1 \right] \frac{2^{n[\overline{H}(\mathbf{Z}_{\mathcal{D}'}|\mathbf{Y}, \mathbf{Z}_{\mathcal{D}'}) + \varepsilon]}}{\prod_{s \in \mathcal{D}'} |\text{Im} \mathcal{F}_s|} + \beta_{F_{\mathcal{D}}} + \mu_{Z_{\mathcal{D}}Y}(\overline{\mathcal{T}}^c). \quad (69)$$

Next, we show the following lemma.

Lemma 18 ([29, Lemma 2 in the extended version]): The expectation of the decoding error probability is evaluated as follows

$$\begin{aligned} & E_{F_{\mathcal{D}}} \left[\mu_{Z_{\mathcal{D}}\hat{Z}_{\mathcal{D}}} (\{(z_{\mathcal{D}}, \hat{z}_{\mathcal{D}}) : \hat{z}_{\mathcal{D}} \neq z_{\mathcal{D}}\}) \right] \\ & \leq 2 \sum_{\mathcal{D}' \subset \mathcal{D}: \mathcal{D}' \neq \emptyset} \alpha_{F_{\mathcal{D}'}} \left[\beta_{F_{\mathcal{D}'}} + 1 \right] 2^{-n[\sum_{s \in \mathcal{D}'} r_s - \overline{H}(\mathbf{Z}_{\mathcal{D}'}|\mathbf{Y}, \mathbf{Z}_{\mathcal{D}'}) - \varepsilon]} + 2\beta_{F_{\mathcal{D}}} + 2\mu_{Z_{\mathcal{D}}Y}(\overline{\mathcal{T}}^c), \end{aligned} \quad (70)$$

where $C_s \equiv \text{Im} \mathcal{F}_s$ and the decoding error probability $\mu_{Z_{\mathcal{D}}\hat{Z}_{\mathcal{D}}} (\{(z_{\mathcal{D}}, \hat{z}_{\mathcal{D}}) : \hat{z}_{\mathcal{D}} \neq z_{\mathcal{D}}\})$ depends on $f_{\mathcal{D}}$ through the relation (66).

Proof: For given $f_{\mathcal{D}}$, the joint distribution of $(Z_{\mathcal{D}}^n, C_{\mathcal{D}}^{(n)}, Y^n)$ is given as

$$\mu_{Z_{\mathcal{D}}C_{\mathcal{D}}Y}(z_{\mathcal{D}}, c_{\mathcal{D}}, \mathbf{y}) = \mu_{Z_{\mathcal{D}}Y}(z_{\mathcal{D}}, \mathbf{y}) \chi(f_{\mathcal{D}}(z_{\mathcal{D}}) = c_{\mathcal{D}}).$$

Then we have

$$\begin{aligned} \mu_{Z_{\mathcal{D}}|C_{\mathcal{D}}Y}(z_{\mathcal{D}}|c_{\mathcal{D}}, \mathbf{y}) & \equiv \frac{\mu_{Z_{\mathcal{D}}C_{\mathcal{D}}Y}(z_{\mathcal{D}}, c_{\mathcal{D}}, \mathbf{y})}{\sum_{z_{\mathcal{D}} \in \mathcal{Z}_{\mathcal{D}}^n} \mu_{Z_{\mathcal{D}}C_{\mathcal{D}}Y}(z_{\mathcal{D}}, c_{\mathcal{D}}, \mathbf{y})} \\ & = \frac{\mu_{Z_{\mathcal{D}}Y}(z_{\mathcal{D}}, \mathbf{y}) \chi(f_{\mathcal{D}}(z_{\mathcal{D}}) = c_{\mathcal{D}})}{\sum_{z_{\mathcal{D}} \in \mathcal{Z}_{\mathcal{D}}^n} \mu_{Z_{\mathcal{D}}Y}(z_{\mathcal{D}}, \mathbf{y}) \chi(f_{\mathcal{D}}(z_{\mathcal{D}}) = c_{\mathcal{D}})} \\ & = \frac{\mu_{Z_{\mathcal{D}}|Y}(z_{\mathcal{D}}|\mathbf{y}) \chi(f_{\mathcal{D}}(z_{\mathcal{D}}) = c_{\mathcal{D}})}{\sum_{z_{\mathcal{D}} \in \mathcal{Z}_{\mathcal{D}}^n} \mu_{Z_{\mathcal{D}}|Y}(z_{\mathcal{D}}|\mathbf{y}) \chi(f_{\mathcal{D}}(z_{\mathcal{D}}) = c_{\mathcal{D}})} \\ & = \mu_{\hat{Z}_{\mathcal{D}}|C_{\mathcal{D}}Y}(z_{\mathcal{D}}|c_{\mathcal{D}}, \mathbf{y}), \end{aligned} \quad (71)$$

that is, the constrained-random-number generator defined by (25) is a stochastic decision with $\mu_{Z_{\mathcal{D}}|C_{\mathcal{D}}Y}$. By letting

$$\mu_{\check{Z}_{\mathcal{D}}|C_{\mathcal{D}}Y}(\check{z}_{\mathcal{D}}|c_{\mathcal{D}}, \mathbf{y}) \equiv \chi(\check{z}_{\mathcal{D}}(c_{\mathcal{D}}|\mathbf{y}) = \check{z}_{\mathcal{D}}),$$

we have the fact that

$$\begin{aligned} \mu_{Z_{\mathcal{D}}\hat{Z}_{\mathcal{D}}} (\{(z_{\mathcal{D}}, \hat{z}_{\mathcal{D}}) : \hat{z}_{\mathcal{D}} \neq z_{\mathcal{D}}\}) & = \sum_{\substack{z_{\mathcal{D}} \in \mathcal{Z}_{\mathcal{D}}^n, c_{\mathcal{D}} \in C_{\mathcal{D}}, \\ \mathbf{y} \in \mathcal{Y}^n, \hat{z}_{\mathcal{D}} \in \mathcal{Z}_{\mathcal{D}}^n: \\ \hat{z}_{\mathcal{D}} \neq z_{\mathcal{D}}}} \mu_{Z_{\mathcal{D}}C_{\mathcal{D}}Y\hat{Z}_{\mathcal{D}}}(z_{\mathcal{D}}, c_{\mathcal{D}}, \mathbf{y}, \hat{z}_{\mathcal{D}}) \\ & = \sum_{\substack{z_{\mathcal{D}} \in \mathcal{Z}_{\mathcal{D}}^n, c_{\mathcal{D}} \in C_{\mathcal{D}}, \\ \mathbf{y} \in \mathcal{Y}^n, \hat{z}_{\mathcal{D}} \in \mathcal{Z}_{\mathcal{D}}^n: \\ \hat{z}_{\mathcal{D}} \neq z_{\mathcal{D}}}} \mu_{Z_{\mathcal{D}}C_{\mathcal{D}}Y}(z_{\mathcal{D}}, c_{\mathcal{D}}, \mathbf{y}) \mu_{Z_{\mathcal{D}}|C_{\mathcal{D}}Y}(\hat{z}_{\mathcal{D}}|c_{\mathcal{D}}, \mathbf{y}) \\ & \leq 2 \sum_{\substack{z_{\mathcal{D}} \in \mathcal{Z}_{\mathcal{D}}^n, c_{\mathcal{D}} \in C_{\mathcal{D}}, \\ \mathbf{y} \in \mathcal{Y}^n, \check{z}_{\mathcal{D}} \in \mathcal{Z}_{\mathcal{D}}^n: \\ \check{z}_{\mathcal{D}} \neq z_{\mathcal{D}}}} \mu_{Z_{\mathcal{D}}C_{\mathcal{D}}Y}(z_{\mathcal{D}}, c_{\mathcal{D}}, \mathbf{y}) \mu_{\check{Z}_{\mathcal{D}}|C_{\mathcal{D}}Y}(\check{z}_{\mathcal{D}}|c_{\mathcal{D}}, \mathbf{y}) \\ & = 2 \sum_{\substack{z_{\mathcal{D}} \in \mathcal{Z}_{\mathcal{D}}^n, c_{\mathcal{D}} \in C_{\mathcal{D}}, \\ \mathbf{y} \in \mathcal{Y}^n, \check{z}_{\mathcal{D}} \in \mathcal{Z}_{\mathcal{D}}^n: \\ \check{z}_{\mathcal{D}} \neq z_{\mathcal{D}}}} \mu_{Z_{\mathcal{D}}Y}(z_{\mathcal{D}}, \mathbf{y}) \chi(f_{\mathcal{D}}(z_{\mathcal{D}}) = c_{\mathcal{D}}) \chi(\check{z}_{\mathcal{D}}(c_{\mathcal{D}}|\mathbf{y}) = \check{z}_{\mathcal{D}}) \\ & = 2 \sum_{\substack{z_{\mathcal{D}} \in \mathcal{Z}_{\mathcal{D}}^n, \mathbf{y} \in \mathcal{Y}^n: \\ \check{z}_{\mathcal{D}}(f_{\mathcal{D}}(z_{\mathcal{D}})|\mathbf{y}) \neq z_{\mathcal{D}}}} \mu_{Z_{\mathcal{D}}Y}(z_{\mathcal{D}}, \mathbf{y}) \\ & = 2\mu_{Z_{\mathcal{D}}Y} (\{(z_{\mathcal{D}}, \mathbf{y}) : \check{z}_{\mathcal{D}}(f_{\mathcal{D}}(z_{\mathcal{D}})|\mathbf{y}) \neq z_{\mathcal{D}}\}), \end{aligned} \quad (72)$$

where the second equality comes from (65), the first inequality comes from Lemma 20 in Appendix F, and the third equality comes from (66). Then we have the fact that

$$\begin{aligned} & E_{F_{\mathcal{D}}} \left[\mu_{Z_{\mathcal{D}}\hat{Z}_{\mathcal{D}}} (\{(z_{\mathcal{D}}, \hat{z}_{\mathcal{D}}) : \hat{z}_{\mathcal{D}} \neq z_{\mathcal{D}}\}) \right] \\ & \leq 2E_{F_{\mathcal{D}}} \left[\mu_{Z_{\mathcal{D}}Y} (\{(z_{\mathcal{D}}, \mathbf{y}) : \check{z}_{\mathcal{D}}(f_{\mathcal{D}}(z_{\mathcal{D}})|\mathbf{y}) \neq z_{\mathcal{D}}\}) \right] \\ & \leq 2 \sum_{\mathcal{D}' \subset \mathcal{D}: \mathcal{D}' \neq \emptyset} \alpha_{F_{\mathcal{D}'}} \left[\beta_{F_{\mathcal{D}'}} + 1 \right] 2^{-n[\sum_{s \in \mathcal{D}'} r_s - \overline{H}(\mathbf{Z}_{\mathcal{D}'}|\mathbf{Y}, \mathbf{Z}_{\mathcal{D}'}) - \varepsilon]} + 2\beta_{F_{\mathcal{D}}} + 2\mu_{Z_{\mathcal{D}}Y}(\overline{\mathcal{T}}^c), \end{aligned} \quad (73)$$

where we use the relation $r_s = \log_2(|C_s|)/n = \log_2(|\text{Im} \mathcal{F}_s|)/n$ in the last inequality. ■

F. Proof of Lemmas

Lemma 19: For any sequence $\{\theta_k\}_{k=1}^K$ of positive numbers, we have

$$\left| \prod_{k=1}^K \theta_k - 1 \right| \leq \sum_{k=1}^K |\theta_k - 1| \prod_{k'=k+1}^K \theta_{k'}, \quad (74)$$

where $\prod_{k'=K+1}^K \theta_{k'} \equiv 1$.

Proof: When $K = 1$, (74) is trivial. Assume that (74) is satisfied, then we have

$$\begin{aligned} \left| \prod_{k=1}^{K+1} \theta_k - 1 \right| &\leq \left| \prod_{k=1}^{K+1} \theta_k - \theta_{K+1} \right| + |\theta_{K+1} - 1| \\ &= \left| \prod_{k=1}^K \theta_k - 1 \right| \theta_{K+1} + |\theta_{K+1} - 1| \\ &\leq \left[\sum_{k=1}^K |\theta_k - 1| \prod_{k'=k+1}^K \theta_{k'} \right] \theta_{K+1} + |\theta_{K+1} - 1| \\ &= \sum_{k=1}^{K+1} |\theta_k - 1| \prod_{k'=k+1}^{K+1} \theta_{k'}, \end{aligned} \quad (75)$$

where the first inequality comes from the triangle inequality, the second inequality comes from the assumption, and the last equality comes from the fact that $|\theta_{K+1} - 1| \prod_{k'=K+1+1}^{K+1} \theta_{k'} = |\theta_{K+1} - 1|$. Then the lemma is shown by induction. \blacksquare

Lemma 20 ([36, Lemma 4] [34, Corollary 2]): Let (U, V) be a pair consisting of state $U \in \mathcal{U}$ and observation $V \in \mathcal{V}$, where μ_{UV} is the joint distribution of (U, V) . We make a stochastic decision with $\mu_{U|V}$ that guesses state U by $\hat{U} \in \mathcal{U}$, that is, the joint distribution of (U, V, \hat{U}) is given as

$$\mu_{UV\hat{U}}(u, v, \hat{u}) \equiv \mu_{UV}(u, v) \mu_{U|V}(\hat{u}|v).$$

Then the decision error probability of this rule is at most twice the decision error probability of *any* (possibly stochastic) decision, that is,

$$\sum_{\substack{u \in \mathcal{U}, v \in \mathcal{V}, \hat{u} \in \mathcal{U}: \\ \hat{u} \neq u}} \mu_{UV}(u, v) \mu_{U|V}(\hat{u}|v) \leq 2 \sum_{\substack{u \in \mathcal{U}, v \in \mathcal{V}, \check{u} \in \mathcal{U}: \\ \check{u} \neq u}} \mu_{UV}(u, v) \mu_{\check{U}|V}(\check{u}|v)$$

for any arbitrary probability distribution $\mu_{\check{U}|V}$.

Proof: Here, we show the lemma directly for the completeness of this paper. We have

$$\begin{aligned} \sum_{\substack{u \in \mathcal{U}, v \in \mathcal{V}, \hat{u} \in \mathcal{U}: \\ \hat{u} \neq u}} \mu_{UV}(u, v) \mu_{U|V}(\hat{u}|v) &= \sum_{u \in \mathcal{U}, v \in \mathcal{V}} \mu_{UV}(u, v) [1 - \mu_{U|V}(u|v)] \\ &= \sum_{u \in \mathcal{U}, v \in \mathcal{V}} [\mu_{U|V}(u|v) - \mu_{U|V}(u|v)^2] \mu_V(v) \\ &\leq \sum_{u \in \mathcal{U}, v \in \mathcal{V}} [\mu_{U|V}(u|v) - \mu_{U|V}(u|v)^2] \mu_V(v) + \sum_{u \in \mathcal{U}, v \in \mathcal{V}} [\mu_{U|V}(u|v) - \mu_{\check{U}|V}(u|v)] \mu_V(v) \\ &\quad + \sum_{u \in \mathcal{U}, v \in \mathcal{V}} [\mu_{U|V}(u|v) - \mu_{\check{U}|V}(u|v)]^2 \mu_V(v) + \sum_{u \in \mathcal{U}, v \in \mathcal{V}} \mu_{\check{U}|V}(u|v) [1 - \mu_{\check{U}|V}(u|v)] \mu_V(v) \\ &= \sum_{u \in \mathcal{U}, v \in \mathcal{V}} 2\mu_{U|V}(u|v) [1 - \mu_{\check{U}|V}(u|v)] \mu_V(v) \\ &= 2 \sum_{u \in \mathcal{U}, v \in \mathcal{V}} \mu_{UV}(u, v) [1 - \mu_{\check{U}|V}(u|v)] \\ &= 2 \sum_{\substack{u \in \mathcal{U}, v \in \mathcal{V}, \check{u} \in \mathcal{U}: \\ \check{u} \neq u}} \mu_{UV}(u, v) \mu_{\check{U}|V}(\check{u}|v), \end{aligned} \quad (76)$$

where the inequality comes from the fact that $\sum_{u \in \mathcal{U}} \mu_{U|V}(u|v) = \sum_{u \in \mathcal{U}} \mu_{\check{U}|V}(u|v) = 1$, and $\mu_{\check{U}|V}(u|v) \in [0, 1]$ for all $u \in \mathcal{U}$ and $v \in \mathcal{V}$. \blacksquare

REFERENCES

- [1] R. Ahlswede, "Multi-way communication channels," *Proc. 2nd Int. Symp. Inform. Theory*, pp. 23–52, 1971.
- [2] R. Ahlswede, "The capacity region of a channel with two senders and two receivers," *Annals of Probab.*, vol. 2, no. 5, pp. 805–814, 1974.
- [3] R. Ahlswede and I. Csiszár, "Common randomness in information theory and cryptography — Part II: CR capacity," *IEEE Trans. Inform. Theory*, vol. IT-44, no.1, pp. 225–240, Jan. 1998.
- [4] H. F. Chong, M. Motani, H. K. Garg, and H. El Gamal, "On the Han-Kobayashi region for the interference channel," *IEEE Trans. Inform. Theory*, vol. IT-54, no. 7, pp. 3188–3195, 2008.
- [5] T. H. Cormen, C. E. Leiserson, R. L. Rivest, and C. Stein, *Introduction to Algorithms, 3rd Ed.*, MIT Press, Cambridge, MA., U.S.A., 2009.
- [6] T. M. Cover, "Broadcast channels," *IEEE Trans. Inform Theory*, vol. IT-18, no. 1, pp. 2–14, Jan. 1972.
- [7] T. M. Cover, "A proof of the data compression theorem of Slepian and Wolf for ergodic source," *IEEE Trans. Inform Theory*, vol. IT-21, no. 2, pp. 226–228, Mar. 1975.
- [8] I. Csiszár, "Linear codes for sources and source networks: Error exponents, universal coding," *IEEE Trans. Inform. Theory*, vol. IT-28, no. 4, pp. 585–592, Jul. 1982.
- [9] I. Csiszár and J. Körner, *Information Theory: Coding Theorems for Discrete Memoryless Systems 2nd Ed.*, Cambridge University Press, 2011.
- [10] J. L. Carter and M. N. Wegman, "Universal classes of hash functions," *J. Comput. Syst. Sci.*, vol. 18, pp. 143–154, 1979.
- [11] C. Daskalakis, R. M. Karp, E. Mossel, S. Riesenfeld, and E. Verbin, "Sorting and selection in posets," *SIAM Journal on Computing*, vol. 40, no. 3, pp. 597–622, 2011.
- [12] A. El Gamal and T. M. Cover, "Multiple user information theory," *Proc. IEEE*, vol. 68, no. 12, pp. 1466–1483, 1980.
- [13] A. El Gamal and Y.H. Kim, *Network Information Theory*, Cambridge University Press, 2011.
- [14] S. I. Gel'fand and M. S. Pinsker, "Capacity of a broadcast channel with one deterministic component," *Probl. Inf. Transm.*, vol. 16, no. 1, pp. 17–25, Jan.–Mar. 1980.
- [15] T.S. Han, "The capacity region of general multiple-access channel with certain correlated sources," *Inform. Contr.*, vol. 40, pp. 37–60, 1979.
- [16] T.S. Han, "An information-spectrum approach to capacity theorems for the general multiple-access channel," *IEEE Trans. Inform. Theory*, vol. IT-44, pp. 2773–2795, Jan. 1998.
- [17] T.S. Han, *Information-Spectrum Methods in Information Theory*, Springer, 2003.
- [18] T.S. Han, and K. Kobayashi; "A new achievable rate region for the interference channel," *IEEE Trans. Info. Theory*, vol. IT-27, no. 1, pp. 49 - 60, Jan. 1981.
- [19] R. Impagliazzo and D. Zuckerman, "How to recycle random bits," *30th IEEE Symp. Fund. Computer Sci.*, Oct. 30–Nov. 1, 1989, pp. 248–253.
- [20] K. Iwata and Y. Oohama, "Information-spectrum characterization of broadcast channel with general source," *IEICE Trans. Fundamentals*, vol. E88-A, No. 10, pp. 2808–2818, Oct. 2005.
- [21] J. Jiang, Y. Xin, and H. K. Garg, "Interference channels with common information," *IEEE Trans. Inform. Theory*, vol. IT-54, no. 1, pp. 171–187, Jan. 2008.
- [22] H. Koga, "Coding theorems on the threshold scheme for a general source," *IEEE Trans. Inform. Theory*, vol. IT-54, no. 6, pp. 2658–2677, Jun. 2008.
- [23] Y. Liang, G. Kramer, and H. V. Poor, "On the equivalence of two achievable regions for the broadcast channel," *IEEE Trans. Inf. Theory*, vol. 57, no. 1, pp. 95–100, Jan. 2011.
- [24] H. H. J. Liao, "Multiple access channels," *Ph.D. thesis, University of Hawaii*, Honolulu, HI, 1972.
- [25] K. Marton, "A coding theorem for the discrete memoryless broadcast channel," *IEEE Trans. Inform. Theory*, vol. IT-25, no. 3, pp. 306–311, May 1979.
- [26] J. Muramatsu, "Equivalence between inner regions for broadcast channel coding," *Proc. 2013 IEEE Information Theory Workshop*, Seville, Spain, Sep. 9–13, 2013, pp. 164–168.
- [27] J. Muramatsu, "Channel coding and lossy source coding using a generator of constrained random numbers," *IEEE Trans. Inform. Theory*, vol. IT-60, no. 5, pp. 2667–2686, May 2014.
- [28] J. Muramatsu, "Variable-length lossy source code using a constrained-random-number generator," *IEEE Trans. Inform. Theory*, vol. IT-61, no. 6, pp. 3574–3592, Jun. 2015.
- [29] J. Muramatsu, "On the achievability of interference channel coding," submitted to *Proc. 2022 International Symposium on Information Theory and its Applications*, Extended version is available at [arXiv:2201.10756](https://arxiv.org/abs/2201.10756)[cs.IT].
- [30] J. Muramatsu and S. Miyake, "Hash property and coding theorems for sparse matrices and maximal-likelihood coding," *IEEE Trans. Inform. Theory*, vol. IT-56, no. 5, pp. 2143–2167, May 2010. Corrections: vol. IT-56, no. 9, p. 4762, Sep. 2010, vol. IT-59, no. 10, pp. 6952–6953, Oct. 2013.
- [31] J. Muramatsu and S. Miyake, "Construction of broadcast channel code based on hash property," *Proc. 2010 IEEE Int. Symp. Inform. Theory*, Austin, U.S.A., June 13–18, pp. 575–579, 2010. Extended version is available at [arXiv:1006.5271](https://arxiv.org/abs/1006.5271)[cs.IT], 2010.
- [32] J. Muramatsu and S. Miyake, "Construction of strongly secure wiretap channel code based on hash property," *Proc. of 2011 IEEE Int. Symp. Inform. Theory*, St. Petersburg, Russia, Jul. 31–Aug. 5, 2011, pp.612–616.
- [33] J. Muramatsu and S. Miyake, "Construction of multiple access channel codes based on hash property," *The Proceedings of the 2011 IEEE International Symposium on Information Theory*, St. Petersburg, Russia, Jul. 31–Aug. 5, 2011, pp. 2274–2278. Extended version is available at [arXiv:1210.6719](https://arxiv.org/abs/1210.6719)[cs.IT].
- [34] J. Muramatsu and S. Miyake, "On the error probability of stochastic decision and stochastic decoding," *Proc. 2017 IEEE Int. Symp. Inform. Theory*, Aachen, Germany, Jun. 25–30, 2017, pp. 1643–1647. Extended version is available at [arXiv:1701.04950](https://arxiv.org/abs/1701.04950)[cs.IT].
- [35] J. Muramatsu and S. Miyake, "Multi-terminal codes using constrained-random-number generator," *Proc. 2018 International Symposium on Information Theory and its Applications*, Singapore, Oct. 28–31, 2018, pp. 612–616. Extended version is available at [arXiv:1801.02875v2](https://arxiv.org/abs/1801.02875v2)[cs.IT].
- [36] J. Muramatsu and S. Miyake, "Channel code using constrained-random number generator revisited," *IEEE Trans. Inform. Theory*, vol. IT-65, no. 1, pp. 500–510, Jan. 2019.
- [37] C. E. Shannon, "Two-way communication channels," *Proc. 4th Berkeley Symp. Math. Statist. Probab.*, vol. I, pp. 611–644, 1961.
- [38] D. Slepian and J. K. Wolf, "A coding theorem for multiple access channels with correlated sources," *Bell Syst. Tech. J.*, vol. 52, no. 7, pp. 1037–1076, Sep. 1973.
- [39] A. Somekh-Baruch and S. Verdú, "General relayless networks: representation of the capacity region," *Proc. 2006 IEEE Int. Symp. Inform. Theory*, Seattle, USA, 6–12 July, 2006, pp. 2408–2412.
- [40] M. H. Yassaee, M. R. Aref, and A. Gohari, "Achievability proof via output statistics of random binning," *IEEE Trans. Inform. Theory*, vol. IT-60, no. 11, pp. 6760–6786, Nov. 2014.