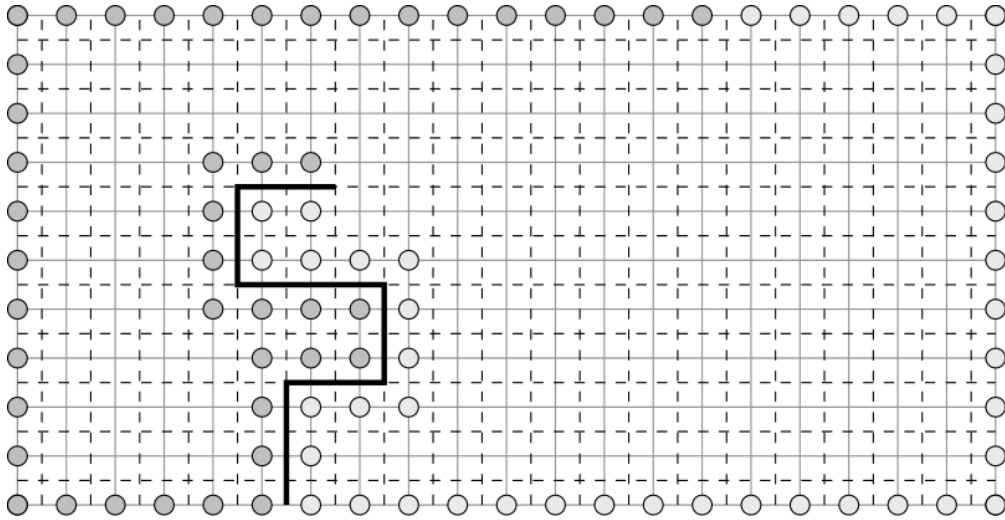


# A Left passage explorer model

Tomas Kojar

August 16, 2022



## Abstract

This is a short note describing a model generalizing the Harmonic explorer [6] that might be of interest and it is *not* intended for publication in a journal. The conjectured continuous model should have the same left-passage probability as  $SLE_\kappa$  but possibly be a different curve.

## 1 Introduction

In the article [6], they constructed a model that converges to the SLE curve for  $\kappa = 4$ . Later in their work in [7], they showed that the chordal contour lines of the discrete Gaussian

---

for comments and questions please contact [tkojarmathphysics@gmail.com](mailto:tkojarmathphysics@gmail.com)

free field converge to forms of SLE(4); after proving a height gap result, they then used techniques developed in the "toy" case of the harmonic explorer.

This note initially started in motivation of developing a family discrete models for each  $\kappa \in (0, 4)$  each of which will converge to SLE $_{\kappa}$ . So a natural move was to extend the harmonic explorer model. There the key observable is the left passage probability of the harmonic explorer path  $\gamma$ , namely the function  $h(z) := \mathbb{P}[\gamma \text{ passes to the left of } z]$  and this function has nice analytical properties, namely it is a harmonic function that is equal to  $\pi$  on the right side of  $\gamma$  and 0 on the left.

**Acknowledgements:** I thank Ilya Binder for his help in defining the model.

## 2 The Left-Passage pde (LP-pde)

Schramm had developed in [5] a formula for the left passage probability for SLE $_{\kappa}$  for each  $\kappa \in [0, 8)$ .

**Theorem 2.1.** *Let  $\kappa \in [0, 8)$ , and let  $z_0 = x_0 + iy_0 \in \mathbb{H}$ . Then the trace  $\gamma$  of chordal SLE $_{\kappa}$  satisfies*

$$h(z_0) := \mathbb{P}[\gamma \text{ passes to the left of } z_0] = \frac{1}{2} + \frac{\Gamma(4/\kappa)}{\sqrt{\pi} \Gamma(\frac{8-\kappa}{2\kappa})} \frac{x_0}{y_0} F_{2,1}\left(\frac{1}{2}, \frac{4}{\kappa}, \frac{3}{2}, -\frac{x_0^2}{y_0^2}\right).$$

, where  $F_{2,1}$  is the hypergeometric function.

Similarly in [4, section 5], Lawler obtains a formula that is reminiscent of the argument function from the harmonic explorer:

**Theorem 2.2.** *Let  $h(z)$  again denote the probability that  $z$  is on the left side of the SLE $_{\kappa}$  path  $\gamma(0, \infty)$ , then [4, section 5]*

$$h(z) = \int^{arg(z)} \frac{1}{\sin(\theta)^{2-\frac{8}{\kappa}}} d\theta.$$

Using either this formula or starting with the ODEs derived in their proofs, it is easy to show that the function  $f(arg(x + iy)) = f(\theta) = \int_0^{\theta} \frac{1}{\sin(s)^{2-\frac{8}{\kappa}}} ds$  will satisfy the degenerate elliptic pde:

$$2\left(\frac{4}{\kappa} - 1\right) \frac{\partial f}{\partial y} + y \Delta f = 0 \quad \Leftrightarrow \quad \operatorname{div}(y^{\beta} \nabla u) = 0, \quad (\text{LP-pde})$$

where  $\beta := 2(\frac{4}{\kappa} - 1)$ . We see that in the case  $\kappa = 4$  we obtain the harmonic function observable for the harmonic explorer. So starting from here it is natural to study a generalized harmonic explorer built out of the observable satisfying (LP-pde). (One should note that this pde doesn't satisfy conformal invariance for  $\kappa \neq 4$  and so this fact probably will show that this model has no relation with  $SLE_\kappa$ ).

The formulation of the harmonic explorer model and its convergence to the limit, is done studying the two-dimensional random walk  $(R_1, R_2)$  studied in the domain  $D \setminus \gamma[0, n]$  where  $\gamma$  is the harmonic explorer up to time  $n$ . So naturally, we study the diffusion corresponding to the (LP-pde). Because of the degeneracy of the pde we need the following Feynman-Kac theorem from [2].

They generally consider a time-dependent, degenerate-elliptic differential operator defined by *unbounded* coefficients  $(a, b)$  on the half-space  $\mathbb{H} := \mathbb{R}^{d-1} \times (0, \infty)$  with  $d \geq 1$ ,

$$\frac{1}{2} \sum_{i,j=1}^d x_d a_{ij}(t, x) v_{x_i x_j}(x) + \sum_{i=1}^d b_i(t, x) v_{x_i}(x), \quad (t, x) \in [0, \infty) \times \mathbb{H}, \quad (1)$$

and  $a = (a_{ij})$ ,  $b = (b_i)$ , and  $v \in C^2(\overline{\mathbb{H}})$ . In our case  $a_{ii} = 2$ ,  $a_{i,j} = 0$ ,  $i \neq j$  and  $b_1 = 0$ ,  $b_2 = \beta$ . So it satisfies the list of assumptions in their "assumptions 2.2". So we get the correspondence to the following degenerated SDE system

$$\begin{cases} dX_{1,t} = 2\sqrt{X_{2,t}} dW_{1,t} \\ dX_{2,t} = 2\sqrt{X_{2,t}} dW_{2,t} + \beta dt \end{cases}.$$

By Itô and time change we get

$$\begin{cases} dX_{1,t} = dW_{1,t} \\ dX_{2,t} = dW_{2,t} + \frac{1}{X_{2,t}} \frac{\beta-1}{2} dt \end{cases}.$$

So this a two dimensional tuple of (Brownian motion, Bessel process). For the Brownian motion part the natural discretization is the random walk. For the Bessel part we use the result in [1]. In that paper they consider a nearest neighbor (NN) random walk, defined as follows: let  $X_0 = 0$ ,  $X_1, X_2, \dots$  be a Markov chain with

$$\begin{aligned} E_i &:= \mathbb{P}[(X_{n+1} = i + 1 \mid X_n = i) = 1 - \mathbb{P}[X_{n+1} = i - 1 \mid X_n = i] \\ &= \begin{cases} 1 & \text{if } i = 0 \\ 1/2 + p_i & \text{if } i = 1, 2, \dots, \end{cases} \end{aligned} \quad (2)$$

where  $-1/2 \leq p_i \leq 1/2$ ,  $i = 1, 2, \dots$ . In case  $0 < p_i \leq 1/2$  the sequence  $\{X_i\}$  describes the motion of a particle which starts at zero, moves over the nonnegative integers and going away

from 0 with a larger probability than to the direction of 0. They take  $p_i \sim B/4i$  with  $B > 0$  as  $i \rightarrow \infty$ . Then they show that in certain sense, this Markov chain is a discrete analogue of continuous Bessel process and establish a strong invariance principle between these two processes. In particular, consider  $Y_\nu(t)$ ,  $t \geq 0$ , a Bessel process of order  $\nu$ ,  $Y_\nu(0) = 0$ , and let  $X_n$ ,  $n = 0, 1, 2, \dots$  be an NN random walk with  $p_0 = p_1 = 1/2$ ,

$$p_R = \frac{(R-1)^{-2\nu} - R^{-2\nu}}{(R-1)^{-2\nu} + (R+1)^{-2\nu}} - \frac{1}{2}, \quad R = 2, 3, \dots \quad (3)$$

One main result is a strong invariance principle concerning Bessel process and NN random walk

**Theorem 2.3.** *On a suitable probability space they construct a Bessel process  $\{Y_\nu(t), t \geq 0\}$ ,  $\nu > 0$  and an NN random walk  $\{X_n, n = 0, 1, 2, \dots\}$  with  $p_R$  as in (3) such that for any  $\varepsilon > 0$ , as  $n \rightarrow \infty$  we have*

$$Y_\nu(n) - X_n = O(n^{1/4+\varepsilon}) \quad \text{a.s.} \quad (4)$$

### 3 The LP-model

We consider lattice  $\delta\mathbb{Z}^2 \cap \mathbb{H}$ , for some  $\delta > 0$ , and rectangle  $D$  with bottom side centered at the origin. We also include its medial lattice, which in the figure below we colored its lines with dashed lines and its vertices with black dots. Finally, for fixed boundary vertices  $v_0, v_{end}$ , we impose boundary conditions 0 (darkgray) and 1 (lightgray) on separate segments of  $\partial D = \partial_0 D \sqcup \partial_1 D$ , see figure 1 (dark-gray on left and light gray on the right respectively).

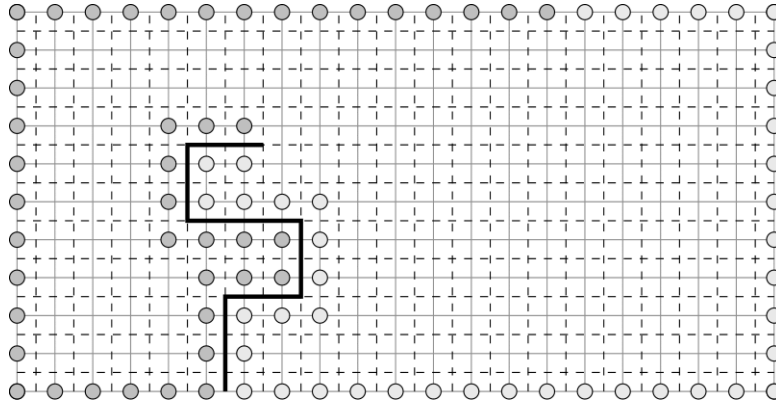


Figure 1: Entire rectangle  $D$  with boundary conditions

The model is similar to the harmonic explorer model in [6] with the exception that we replace the two dimensional random walk on the hexagonal grid by running a random walk along the x-coordinate and a discretization of the Bessel process along the y-coordinate, which we denote by (R,B). In particular, we assign to each vertex  $w$  on the original lattice (black dots), the value

$$\mathfrak{h}_n(w) := \mathbb{P}_w[(R_{T_{D_n}}, B_{T_{D_n}}) \in \partial_1 D_n],$$

where  $T_{D_n}$  is the exit time of (R,B) from domain  $D_n := D \setminus \gamma[0, n]$ , for path  $\gamma$  as described below. The exploration path  $\gamma$  runs along the medial lattice from  $v_0$  to  $v_{end}$ . It moves in three possible directions: left, straight or right. We will try to use similar notation as in [6, section 3.1] as much as possible even though here the lattice is square and not triangular.

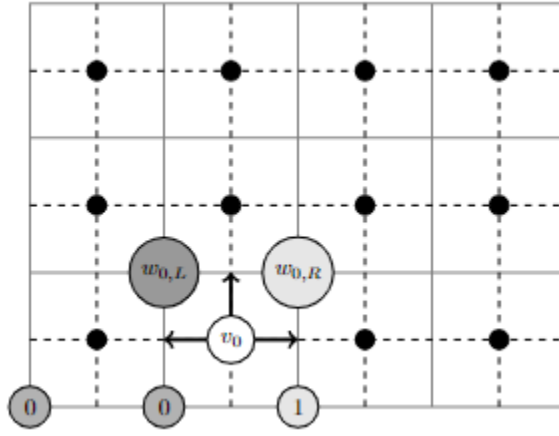


Figure 2: The first step of the path

First let  $V_0$  the set of vertices in  $\partial D$ ,  $A^-$  the dark-gray/negative-vertices in  $V_0$  going from  $v_0$  to  $v_{end}$  but on the left and  $A^+$  the light-gray/positive ones on the right also going from  $v_0$  to  $v_{end}$ .

For the first-step we let  $h_0 : V_0 \rightarrow \{0, 1\}$  to be 0 on  $V_0 \cap A^- := \partial_0 D$  and to be 1 on  $V_0 \cap A^+ := \partial_1 D$ . On the original lattice we have two vertices  $w_{0,L}$  and  $w_{0,R}$  on the square containing  $v_0$  (see figure 2). We let  $p_{0,L}, p_{0,R}$  equal the value of the probabilities

$$p_{0,L} := \mathfrak{h}_0(w_{0,L}) = \mathbb{P}_{w_{0,L}}[(R_{T_D}, B_{T_D}) \in \partial_1 D] \text{ and } p_{0,R} := \mathfrak{h}_0(w_{0,R}) = \mathbb{P}_{w_{0,R}}[(R_{T_D}, B_{T_D}) \in \partial_1 D].$$

This is the analogous step of considering the harmonic extension of  $h_0$ . From here there are two possible variations.

**variation 1** If one could show that  $p_{0,L} \leq p_{0,R}$ , then as in the Harmonic explorer we consider an iid sequence of  $\{X_n\}_{n \geq 1}$  with uniform distribution  $\text{Unif}([0,1])$ . Then we decide whether the path moves left, straight or right depending on whether:

$$X_1 \leq p_{0,L}, X_1 \in (p_{0,L}, p_{0,R}) \text{ or } p_{0,R} \leq X_1.$$

The statement  $p_{0,L} \leq p_{0,R}$  is clear by a path-reflection/swapping argument. Suppose there is a trajectory  $G(k) := (B_k, R_k)_{k=0}^{T_D}$  with  $G(0) = w_{0,L}$  that exits on the right side  $\partial_1 D$ . Then a different trajectory  $\tilde{G}(k)$  starting with  $\tilde{G}(0) = w_{0,R}$  either exists through  $\partial_1 D$  earlier or is forced to intersect with  $G(k)$  at some point  $\tau$  and from then on it is identified with it till their exit at  $\partial_1 D$ . Therefore, we have an inclusion of paths.

**variation 2** We consider two independent sequences  $\{X_{n,L}\}_{n \geq 1}, \{X_{n,R}\}_{n \geq 1}$  to be iid with uniform distribution  $\text{Unif}([0,1])$  to help us decide which of the three directions to pick. Then We make our choice starting clockwise from  $w_{0,L}$  i.e. by first flipping the  $X_{1,L}$ -coin. If  $X_{1,L} \leq p_{0,L}$ , we go left and if  $X_{1,L} \geq p_{0,L}$  we will move either straight or right of  $w_{0,R}$ . So next we flip the second coin  $X_{1,R}$  to help us i.e. if  $X_{1,R} \leq p_{0,R}$  we move left of  $w_{0,R}$  and if  $X_{1,R} \geq p_{0,R}$  we move right of it.

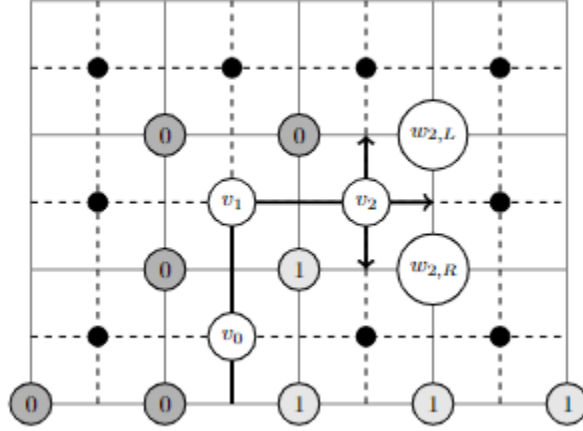


Figure 3: The first two steps of the path

After the first step is done, we extend the boundary to  $V_1 := V_0 \cup \{w_{0,L}, w_{0,R}\}$  and assign labels 0 or 1 depending on whether the path moved left, straight or right. We let  $D_1 := D \setminus \gamma[0,1]$  denote the new domain and  $\partial_0 D_1, \partial_1 D_1$  its new labeled boundaries. For the next steps we similarly decide whether to move on the left, straight or right by using  $p_{2,i} := \mathfrak{h}_1(w_{2,i}) = \mathbb{P}_{w_{2,i}}[(R_{T_{D_1}}, B_{T_{D_1}}) \in \partial_1 D_1]$  for  $i = L, R$ .

## 4 Questions

Here are some questions

1. If shown to converge to a continuous limit, this model might serve as a counterexample of a model having same left-passage probability as  $SLE_\kappa$  but not being related to it or even having conformal invariance.
2. Continuing on the program in [7], it would be interesting to consider a possible coupling of those continuous limits with the Generalized Gaussian field whose covariance is the Green function for the divergence operator  $div(y^\beta \nabla u)$  (eg. see the fields studied in [3]).
3. It would be interesting to further generalize this model to other 2d-discrete processes such as for the discretization of two general Itô diffusions.

## References

- [1] Endre Csáki, Antónia Földes, and Pál Révész. Transient nearest neighbor random walk and bessel process. *Journal of Theoretical Probability*, 22(4):992–1009, 2009.
- [2] Paul Feehan and Camelia Pop. On the martingale problem for degenerate-parabolic partial differential operators with unbounded coefficients and a mimicking theorem for ito processes. *Transactions of the American Mathematical Society*, 367(11):7565–7593, 2015.
- [3] Yu Gu and Jean-Christophe Mourrat. On generalized gaussian free fields and stochastic homogenization. *Electronic Journal of Probability*, 22:1–21, 2017.
- [4] Gregory Lawler. Conformal invariance and 2 statistical physics. *Bulletin of the American Mathematical Society*, 46(1):35–54, 2009.
- [5] Oded Schramm. A percolation formula. *Electronic Communications in Probability*, 6:115–120, 2001.
- [6] Oded Schramm and Scott Sheffield. Harmonic explorer and its convergence to sle4. *The Annals of Probability*, 33(6):2127–2148, 2005.
- [7] Oded Schramm and Scott Sheffield. Contour lines of the two-dimensional discrete gaussian free field. *Acta mathematica*, 202(1):21–137, 2009.