

COHERENCE FOR ADJUNCTIONS IN A 4-CATEGORY

MANUEL ARAÚJO

Department of Computer Science and Technology, University of Cambridge

ABSTRACT. We construct a 4-categorical presentation $\text{Adj}_{(4,1)}$ and define a coherent adjunction in a strict 4-category \mathcal{C} as a map $\text{Adj}_{(4,1)} \rightarrow \mathcal{C}$. Then we use string diagrams to show that any adjunction in \mathcal{C} can be extended to a coherent adjunction in an essentially unique way. More precisely, the restriction map from the 4-groupoid $\text{Map}(\text{Adj}_{(4,1)}, \mathcal{C})$ to the 4-groupoid of 1-morphisms in \mathcal{C} which admit an adjoint is a weak equivalence.

1. INTRODUCTION

In this paper, we construct a 4-categorical presentation $\text{Adj}_{(4,1)}$ containing 1-cells l and r and we define a **coherent adjunction** in a strict 4-category \mathcal{C} as a functor $\text{Adj}_{(4,1)} \rightarrow \mathcal{C}$. We then prove our Main Theorem, stating that any adjunction in \mathcal{C} (by which we mean an adjunction in its homotopy 2-category) can be promoted to a coherent adjunction in an essentially unique way.

In order to state this Theorem precisely, denote by $\theta^{(1)}$ the computad consisting of a single 1-cell, so that $\text{Map}(\theta^{(1)}, \mathcal{C})$ is the 4-groupoid of 1-morphisms in \mathcal{C} , and let $\text{Map}^L(\theta^{(1)}, \mathcal{C})$ be its full 4-subgroupoid whose objects are the left adjoint 1-morphisms in \mathcal{C} . The map

$$E_l : \text{Map}(\text{Adj}_{(4,1)}, \mathcal{C}) \rightarrow \text{Map}(\theta^{(1)}, \mathcal{C})$$

given by restriction to the 1-cell l factors through $\text{Map}^L(\theta^{(1)}, \mathcal{C})$.

Theorem 1.1 (Main Theorem). *Given a strict 4-category \mathcal{C} , the restriction map*

$$E_l : \text{Map}(\text{Adj}_{(4,1)}, \mathcal{C}) \rightarrow \text{Map}^L(\theta^{(1)}, \mathcal{C})$$

is a weak equivalence of strict 4-groupoids.

The proof builds on an analogous result for adjunctions in 3-categories proved in [Ara22a] and the strategy of the proof is also the same as the one used there, only extended one dimension up. The basic idea of the proof is that the map E_l is a fibration of 4-groupoids, by the main result of [Ara20]. This allows us to reduce the problem to showing that the homotopy groups of the fibre are trivial and the map is surjective on objects. We then prove this is the case by constructing trivialising morphisms for arbitrary elements of these homotopy groups. We do this one cell at a time, by using the lifting properties of fibrations and using the string diagram calculus developed in [BV17], [Ara22c],[Ara22b] and [Ara20] for explicit constructions.

Remark 1.2. *We restrict to strict 4-categories as that is the setting where we can rigorously justify the use of our string diagram calculus. In upcoming work, we develop a notion of semistrict 4-category based on these string diagrams and all proofs in this paper will then hold in that context.*

E-mail address: manuel.araujo@cst.cam.ac.uk.

1.1. Related work. The study of coherence for 3-categorical adjunctions dates back to [Ver92], where the swallowtail relations are first identified in this context. Further developments appear in [Gur12], [Bar09] and [Pst22]. In [Ara22a] we proved a coherence theorem for adjunctions in a strict 3-category, completely analogous to the one in the present paper.

In [BV17], there is a string diagram proof of the fact that given an adjunction in a 4-category, one can extend it to a coherent adjunction, satisfying the so called butterfly relations. This proof is formalized in the proof assistant Globular ([BKV16]).

In [RV16] the authors construct an $(\infty, 2)$ -category $\underline{\text{Adj}}$ and prove that the space of functors $\underline{\text{Adj}} \rightarrow \text{Cat}_\infty$ is equivalent to the space of adjunctions in Cat_∞ . Informally, we can think of $\underline{\text{Adj}}_{(4,1)}$ as a finite presentation for the homotopy 4-category of $\underline{\text{Adj}}$. This seems to be the first place in the literature where coherence for adjunctions in a higher category \mathcal{C} is stated in terms of an equivalence of spaces between the space of morphisms in \mathcal{C} which admit an adjoint and the space of maps into \mathcal{C} out of a category consisting of a free adjunction. The *strictly undulating squiggles* used there are also a kind of string diagram calculus.

1.2. Future work. We will use the main result in this paper to give a new proof of the coherence result for fully dualizable objects in strict symmetric monoidal 3-categories in the author's PhD Thesis [Ara17]. The cobordism hypothesis allows us to interpret the corresponding presentation as a finite presentation of the 3-dimensional fully extended framed bordism category, as a symmetric monoidal 3-category, although this would require the coherence result to be extended to weak symmetric monoidal 3-categories. These results on coherence for adjoints would easily be extended to the case of weak categories, as long as one establishes that our string diagram calculus is valid in that context. This is also the subject of ongoing research.

A subsequent goal of this project is to use the obtained finite presentation of the bordism category to produce an efficient method for computing the values on 3-framed manifolds of the fully extended framed Topological Field Theory associated to a fusion category in [DSPS21].

Acknowledgements. This work was partially supported by the FCT project grant **Higher Structures and Applications**, PTDC/MAT-PUR/31089/2017. The work that lead to this paper was also carried out while the author was visiting the **Max Planck Institute for Mathematics** and later a postdoc with the **RTG 1670 Mathematics inspired by String Theory and Quantum Field Theory** at the University of Hamburg.

2. DEFINITIONS AND BASIC RESULTS

We now give some necessary definitions and recall the main results from previous papers [Ara22c], [Ara20] and [Ara22a] which we will need in the rest of this paper.

2.1. Strict n -categories. We think of a strict n -category as an algebra over a certain monad

$$T_n : \text{gSet}_n \rightarrow \text{gSet}_n$$

on the category of n -globular sets. This is the monad defined in [Lei04], Chapter 8. Alternatively one can think of a strict n -category as a category enriched in strict $(n - 1)$ -categories with the cartesian product.

2.2. Equivalences. In a strict n -category, we say that a k -morphism $f : x \rightarrow y$ is an **isomorphism** if there exists another k -morphism $g : y \rightarrow x$ such that $f \circ g = \text{id}_y$ and $g \circ f = \text{id}_x$. We also say that f is **invertible** and we call g its **inverse** (one can show that it is unique). However, we are more interested in a weaker version of this, known as **equivalence**.

Definition 2.1. *Let \mathcal{C} be a strict n -category. An n -morphism $f : x \rightarrow y$ in \mathcal{C} is an **equivalence** if it is an isomorphism. When $k < n$, a k -morphism $f : x \rightarrow y$ in \mathcal{C} is an **equivalence** when there is another k -morphism $g : y \rightarrow x$ and equivalences $f \circ g \rightarrow \text{id}_y$ and $g \circ f \rightarrow \text{id}_x$ in \mathcal{C} . We say that x is **equivalent** to y ,*

and write $x \simeq y$, if there is an equivalence $x \rightarrow y$. When $f : x \rightarrow y$ is an equivalence, we also call it **weakly invertible** and any morphism $g : y \rightarrow x$ such that $f \circ g \simeq \text{id}_y$ and $g \circ f \simeq \text{id}_x$ is called a **weak inverse** to f . When f is a k -morphism and an equivalence we also call it a **k -equivalence**.

Definition 2.2. An n -groupoid is an n -category all of whose morphisms are equivalences.

Finally, we use the following notion of weak equivalence for functors, which coincides with the one in the folk model structure of [LMW10].

Definition 2.3. A functor $F : \mathcal{C} \rightarrow \mathcal{D}$ between strict n -categories is called **essentially surjective** if for every object $d \in \mathcal{D}$ there exists an object $c \in \mathcal{C}$ and an equivalence $F(c) \rightarrow d$ in \mathcal{D} . A functor $F : \mathcal{C} \rightarrow \mathcal{D}$ between strict n -categories is called a **weak equivalence** if it is essentially surjective and for all objects $c_1, c_2 \in \mathcal{C}$ the induced functor $\mathcal{C}(c_1, c_2) \rightarrow \mathcal{D}(F(c_1), F(c_2))$ is a weak equivalence of $(n - 1)$ -categories.

Definition 2.4. An n -groupoid G is called **weakly contractible** if the map $G \rightarrow *$ is a weak equivalence.

2.3. Adjunctions.

Definition 2.5. An **adjunction** in a strict 2-category \mathcal{C} is a pair of 1-morphisms $l : X \rightarrow Y$ and $r : Y \rightarrow X$ together with 2-morphisms $u : \text{id}_X \rightarrow r \circ l$ and $c : l \circ r \rightarrow \text{id}_Y$ called the unit and the counit, which satisfy two standard relations, called zigzag, snake or triangle identities.

Definition 2.6. Let \mathcal{C} be a strict n -category. We define its **homotopy 2-category** to be the strict 2-category $\text{h}_2(\mathcal{C})$ obtained by declaring equivalent 2-morphisms to be equal.

The following definitions of adjunctions in n -categories are adapted from the ones given in [Lur08] for the case of (∞, n) -categories.

Definition 2.7. An **adjunction** between 1-morphisms in a strict n -category \mathcal{C} is a pair of 1-morphisms $l : X \rightarrow Y$ and $r : Y \rightarrow X$ together with 2-morphisms $u : \text{id}_X \rightarrow r \circ l$ and $c : l \circ r \rightarrow \text{id}_Y$ called the unit and the counit, which determine an adjunction in the homotopy 2-category $\text{h}_2(\mathcal{C})$.

This means that an adjunction between 1-morphisms in a 4-category consists of a pair of 1-morphisms $l : X \rightarrow Y$ and $r : Y \rightarrow X$ together with unit and counit 2-morphisms satisfying the usual snake relations (also known as triangle identities) up to 3-equivalence.

Definition 2.8. An **adjunction** between k -morphisms in a strict n -category \mathcal{C} is an adjunction between 1-morphisms in an appropriate $(n - k + 1)$ -category of morphisms in \mathcal{C} .

The following Lemma relating equivalences and adjunctions is well known.

Lemma 2.9. Let \mathcal{C} be a strict n -category, $f : x \rightarrow y$ a k -equivalence in \mathcal{C} , $g : y \rightarrow x$ a weak inverse and $u : \text{id}_x \rightarrow g \circ f$ a $(k + 1)$ -equivalence. Then there exists a $(k + 1)$ -equivalence $c : f \circ g \rightarrow \text{id}_y$ such that (f, g, u, c) is an adjunction in \mathcal{C} .

Proof. By passing to $\text{h}_2(\text{Hom}(s(x), t(x)))$ we can reduce to the case where $n = 2$ and $k = 1$. Now we just need to find $c : y \rightarrow x$ satisfying the two snake relations. This can be done by using string diagrams, as on the nLab page for adjoint equivalence. □

2.4. Presentations. An n -categorical **presentation** is simply a collection of k -cells for every $k \leq n + 1$, whose sources and targets are composites of lower dimensional cells. We interpret the $(n + 1)$ -cells as relations. Given an n -categorical presentation \mathcal{P} we denote by $F(\mathcal{P})$ the n -category **generated by** \mathcal{P} . Its k -morphisms are arbitrary composites of the k -cells in \mathcal{P} . Two n -morphisms are declared equal when they are related by an $(n + 1)$ -cell. We sometimes write $\mathcal{P} \rightarrow \mathcal{C}$ to refer to a functor $F(\mathcal{P}) \rightarrow \mathcal{C}$.

This can be made precise by using the theory of **computads**. See [SP09] for a detailed treatment of computads.

We denote by $\theta^{(k)}$ the computad generated by a single k -cell, so that functors $\theta^{(k)} \rightarrow \mathcal{C}$ are in canonical bijection with the set of k -morphisms in \mathcal{C} .

2.5. String diagrams. In [Ara22c], we defined a monad $T_n^{D^s}$ on n -globular sets. This monad is defined in the same way as the monad T_n for strict n -categories, by replacing globular pasting diagrams with a new combinatorial notion of **simple string diagram**. The algebras over $T_n^{D^s}$ are called n -sesquicategories. These are n -globular sets equipped with strictly associative and unital composition and whiskering operations, as in strict n -categories, but where the Godement interchange laws are not required to hold. We also defined a map of monads $T_n^{D^s} \rightarrow T_n$. In [Ara22b], we showed the the category of computads for $T_n^{D^s}$ is a presheaf category and we explained how morphisms in the n -sesquicategory generated by a computad C are given by C -labelled string diagrams.

In [BV17] a 4-categorical string diagram calculus is introduced. This string diagram calculus is implemented in the proof assistant Globular ([BKV16]). Given a **signature**, consisting of sets generating k -morphisms for each $k \leq 5$ (interpreting the 5-morphisms as relations) one can construct **diagrams** over this signature by composing the generating morphisms. The authors also introduce **homotopy generators** which are generating morphisms implementing coherent versions of the interchange laws. Then they introduce the notion of a **signature with homotopy generators** which is a signature containing enough homotopy generators.

In [Ara20] we identified the signatures above as computads for $T_4^{D^s}$ and the diagrams over a signature as morphisms in the 4-sesquicategory generated by the corresponding computad. We also described the homotopy generators from [BV17] and explained how to use the map of monads $T_4^{D^s} \rightarrow T_4$ to interpret the string diagrams over a signature with homotopy generators as composite morphisms in the strict 4-category generated by an associated computad for T_4 , where homotopy generators become identities. This establishes a string diagram calculus for strict 4-categories. The close relationship with [BV17] means all string diagram proofs in this paper can be formalized in the proof assistant Globular, although this would take a significant amount of work.

This string diagram calculus should naturally be interpreted in a kind of semistrict 4-category, with strictly associative and unital composition, but weak interchangers. We will give a definition of such semistrict 4-categories in upcoming work.

2.6. Functor categories. Using the left and right internal Hom from the monoidal biclosed structure on n -categories associated to the Crans-Gray tensor product ([Cra95]) one can define n -categories $\text{Fun}_{lax}(\mathcal{C}, \mathcal{D})$ and $\text{Fun}_{oplax}(\mathcal{C}, \mathcal{D})$ for n -categories \mathcal{C} and \mathcal{D} . One can check that a k -morphism in $\text{Fun}_{oplax}(\mathcal{C}, \mathcal{D})$ is a rule that associates to each ℓ -morphism in \mathcal{C} a map $\theta^{(k);(\ell)} \rightarrow \mathcal{D}$, satisfying certain relations of compatibility with composition. Here $\theta^{(k);(\ell)}$ is the $(k + \ell)$ -computad explicitly constructed in [JFS17]. It can also be described as the Crans-Gray tensor product $\theta^{(k)} \otimes \theta^{(\ell)}$. Similarly, a k -morphism in $\text{Fun}_{lax}(\mathcal{C}, \mathcal{D})$ is a rule that associates to each ℓ -morphism in \mathcal{C} a map $\theta^{(\ell);(k)} \rightarrow \mathcal{D}$.

One can then define the n -category $\text{Fun}(\mathcal{C}, \mathcal{D})$ as the subcategory of $\text{Fun}_{oplax}(\mathcal{C}, \mathcal{D})$ consisting of those k -morphisms which associate to an ℓ -morphism in \mathcal{C} a $(k + \ell)$ -equivalence in \mathcal{D} , for $k, \ell \geq 1$. The k -morphisms in $\text{Fun}(\mathcal{C}, \mathcal{D})$ are called k -transforms. For $k = 1, 2, 3$ they are also called natural transformations, modifications and perturbations, respectively (see the nLab page "transform" for a discussion of this terminology). Similarly, $\overline{\text{Fun}}(\mathcal{C}, \mathcal{D})$ is the analogous subcategory of $\text{Fun}_{lax}(\mathcal{C}, \mathcal{D})$. Finally $\text{Map}(\mathcal{C}, \mathcal{D})$ and $\overline{\text{Map}}(\mathcal{C}, \mathcal{D})$ are defined as the underlying subgroupoids in $\text{Fun}(\mathcal{C}, \mathcal{D})$ and $\overline{\text{Fun}}(\mathcal{C}, \mathcal{D})$. Given a presentation \mathcal{P} we write $\text{Fun}(\mathcal{P}, \mathcal{D})$ instead of $\text{Fun}(F(\mathcal{P}), \mathcal{D})$ and similarly for Map .

In [Ara20] we gave an explicit description of $\text{Fun}(\mathcal{C}, \mathcal{D})$ in terms of string diagrams, when \mathcal{C} and \mathcal{D} are 4-categories, which we include here for convenience.

2.6.1. *Natural transformations.* Given functors $F, G : \mathcal{C} \rightarrow \mathcal{D}$, a **natural transformation**, or 1-transfor, $\alpha : F \rightarrow G$ consists of the following data. We use **red** and **blue** to denote the images of objects and morphisms under F and G , respectively.

0. For each object $Y \in \mathcal{C}$ a 1-morphism $\alpha_Y : F(Y) \rightarrow G(Y)$.

$$Y = \text{---} \mapsto \alpha_Y = \text{---} \bullet \text{---}$$

- (1) For each 1-morphism $g : X \rightarrow Y$ in \mathcal{C} an invertible 2-morphism α_g in \mathcal{D} .

$$g = \text{---} \bullet \text{---} \mapsto \alpha_g = \begin{array}{c} \text{---} \\ \text{---} \end{array} : \begin{array}{c} \text{---} \\ \text{---} \end{array} \xrightarrow{F(g)} \begin{array}{c} \text{---} \\ \text{---} \end{array} \xrightarrow{\alpha_X} \begin{array}{c} \text{---} \\ \text{---} \end{array} \xrightarrow{G(g)} \begin{array}{c} \text{---} \\ \text{---} \end{array}$$

- (2) For each 2-morphism $\zeta : f \rightarrow g$ in \mathcal{C} an invertible 3-morphism α_ζ in \mathcal{D} .

$$\zeta = \begin{array}{c} \text{---} \\ \text{---} \end{array} \mapsto \alpha_\zeta = \begin{array}{c} \text{---} \\ \text{---} \end{array} : \begin{array}{c} \text{---} \\ \text{---} \end{array} \xrightarrow{F(\zeta)} \begin{array}{c} \text{---} \\ \text{---} \end{array} \xrightarrow{\alpha_g} \begin{array}{c} \text{---} \\ \text{---} \end{array} \xrightarrow{\alpha_f} \begin{array}{c} \text{---} \\ \text{---} \end{array} \xrightarrow{G(\zeta)} \begin{array}{c} \text{---} \\ \text{---} \end{array}$$

- (3) For each 3-morphism $t : \eta \rightarrow \zeta$ in \mathcal{C} an invertible 4-morphism α_t in \mathcal{D} .

$$t = \begin{array}{c} \text{---} \\ \text{---} \end{array} \mapsto \alpha_t = \begin{array}{c} \text{---} \\ \text{---} \end{array} : \begin{array}{c} \text{---} \\ \text{---} \end{array} \xrightarrow{F(t)} \begin{array}{c} \text{---} \\ \text{---} \end{array} \xrightarrow{\alpha_\zeta} \begin{array}{c} \text{---} \\ \text{---} \end{array} \xrightarrow{\alpha_\eta} \begin{array}{c} \text{---} \\ \text{---} \end{array} \xrightarrow{G(t)} \begin{array}{c} \text{---} \\ \text{---} \end{array}$$

- (4) For each 4-morphism $\mathcal{W} : s \rightarrow t$ in \mathcal{C} a relation $\alpha_{\mathcal{W}}$ in \mathcal{D} .

$$\mathcal{W} = \begin{array}{c} \text{---} \\ \text{---} \end{array} \mapsto \alpha_{\mathcal{W}} : \begin{array}{c} \text{---} \\ \text{---} \end{array} = \begin{array}{c} \text{---} \\ \text{---} \end{array} \xrightarrow{F(\mathcal{W})} \begin{array}{c} \text{---} \\ \text{---} \end{array} \xrightarrow{\alpha_t} \begin{array}{c} \text{---} \\ \text{---} \end{array} \xrightarrow{\alpha_s} \begin{array}{c} \text{---} \\ \text{---} \end{array} \xrightarrow{G(\mathcal{W})} \begin{array}{c} \text{---} \\ \text{---} \end{array}$$

This data is subject to relations equating the values of α on composite morphisms with the corresponding composites of values of α given by stacking diagrams.

2.6.2. *Modifications.* Given natural transformations $\alpha, \beta : F \rightarrow G$, a **modification**, or 2-transfor, $m : \alpha \rightarrow \beta$ consists of the following data. We use **green** for α and **purple** for β .

0. For each object $Y \in \mathcal{C}$ a 2-morphism $m_Y : \alpha_Y \rightarrow \beta_Y$ in \mathcal{D} .

$$Y = \text{---} \mapsto m_Y = \begin{array}{c} \text{---} \\ \text{---} \end{array} : \begin{array}{c} \text{---} \\ \text{---} \end{array} \xrightarrow{\alpha_Y} \begin{array}{c} \text{---} \\ \text{---} \end{array} \xrightarrow{\beta_Y} \begin{array}{c} \text{---} \\ \text{---} \end{array}$$

- (1) For each 1-morphism $g : X \rightarrow Y$ in \mathcal{C} an invertible 3-morphism m_g in \mathcal{D} .

$$g = \text{---} \bullet \text{---} \mapsto m_g = \text{---} \bullet \text{---} : m_X \xrightarrow{\alpha_g} \beta_g \text{---} m_Y$$

(2) For each 2-morphism $\zeta = \text{---} \bullet \text{---}$: $f \rightarrow g$ in \mathcal{C} an invertible 4-morphism m_ζ in \mathcal{D} .

$$m_\zeta = \text{---} \bullet \text{---} : m_f \xrightarrow{\alpha_\zeta} m_g \xrightarrow{\beta_\zeta} m_Y$$

(3) For each 3-morphism $t : \eta \rightarrow \zeta$ in \mathcal{C} a relation m_t in \mathcal{D} .

$$t = \text{---} \bullet \text{---} \mapsto m_t : m_\eta \xrightarrow{\alpha_t} m_\zeta$$

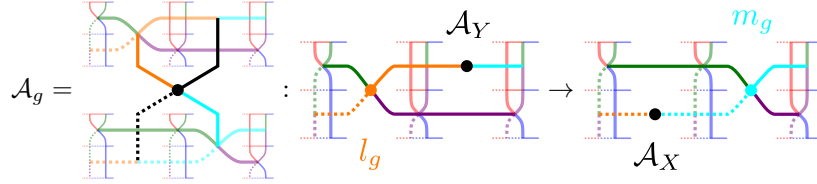
This data is subject to relations equating the values of m on composite morphisms with the corresponding composites of values of m given by stacking diagrams.

2.6.3. *Perturbations.* Given modifications $l, m : \alpha \rightarrow \beta$, a **perturbation**, or 3-transfor, $\mathcal{A} : l \rightarrow m$ consists of the following data. We use **orange** for l and **light blue** for m .

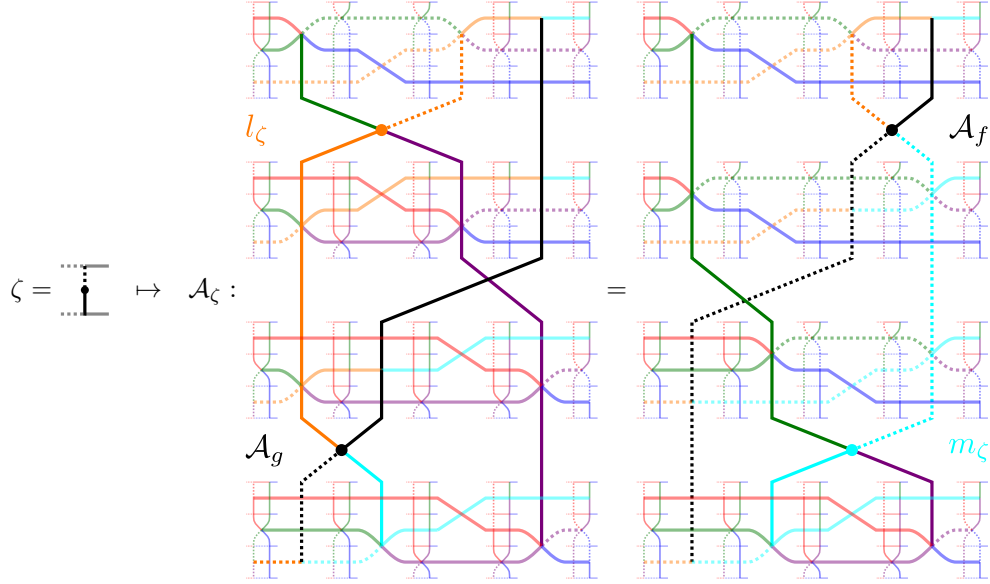
0. For each object $Y \in \mathcal{C}$ a 3-morphism $\mathcal{A}_Y : l_Y \rightarrow m_Y$ in \mathcal{D} .

$$Y = \text{---} \mapsto \mathcal{A}_Y = \text{---} \bullet \text{---} : l_Y \rightarrow m_Y$$

(1) For each 1-morphism $g = \text{---} \bullet \text{---} : X \rightarrow Y$ in \mathcal{C} an invertible 4-morphism \mathcal{A}_g in \mathcal{D} .



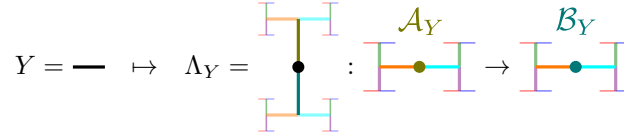
(2) For each 2-morphism $\zeta : f \rightarrow g$ in \mathcal{C} a relation \mathcal{A}_ζ in \mathcal{D} .



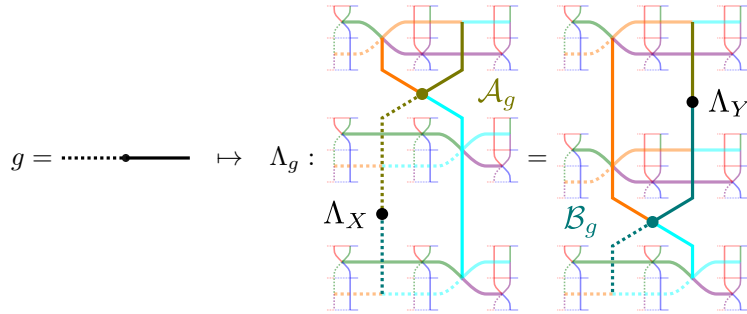
This data is subject to relations equating the values of \mathcal{A} on composite morphisms with the corresponding composites of values of \mathcal{A} given by stacking diagrams.

2.6.4. *4-transforms.* Given perturbations $\mathcal{A}, \mathcal{B} : l \rightarrow m$, a **4-transform** $\Lambda : \mathcal{A} \rightarrow \mathcal{B}$ consists of the following data. We use **olive** for \mathcal{A} and **teal** for \mathcal{B} .

0. For each object $Y \in \mathcal{C}$ a 4-morphism $\Lambda_Y : \mathcal{A}_Y \rightarrow \mathcal{B}_Y$ in \mathcal{D} .



(1) For each 1-morphism $g =: X \rightarrow Y$ in \mathcal{C} a relation Λ_g in \mathcal{D} .



2.7. Fibrations. We recall the definitions and main results about fibrations of n -groupoids from [Ara20] and [Ara22a] which we will use in this paper.

Definition 2.10. *A map of n -groupoids $p : E \rightarrow B$ is called a **fibration** if, given any k -morphism $f : x \rightarrow y$ in B and a lift \tilde{x} of its source along p , there exists a lift $\tilde{f} : \tilde{x} \rightarrow \tilde{y}$ of f along p .*

In other words, a fibration of n -groupoids is a map that has the right lifting property with respect to source inclusions $s : \theta^{(k-1)} \hookrightarrow \theta^{(k)}$ for all $1 \leq k \leq n$.

Remark 2.11. *Given n -groupoids E and B , it is natural to ask whether a map $f : E \rightarrow B$ is a fibration in the sense of this paper if and only if it is a fibration in the folk model structure on strict n -categories defined in [LMW10]. This seems plausible, see [Ara20] for some discussion.*

Theorem 2.12 (from [Ara20]). *Let \mathcal{C} a strict 4-category, \mathcal{P} a presentation and \mathcal{Q} another presentation, obtained by adding a finite number of cells to \mathcal{P} . Then the restriction map*

$$\text{Map}(\mathcal{Q}, \mathcal{C}) \rightarrow \text{Map}(\mathcal{P}, \mathcal{C})$$

is a fibration of 4-groupoids.

Remark 2.13. *If fibrations agree with folk fibrations, as suggested in Remark 2.11, then this Theorem would follow from results of [AL20] and [LMW10]. In [Ara20] we give an explicit string diagram proof of this Theorem, which would also apply in any model of semistrict 4-categories admitting a string diagram calculus.*

One can define the pullback of a diagram of n -categories by taking the pullback in n -globular sets and equipping it with a canonical T_n -algebra structure. In the case of n -groupoids, we have the following result.

Proposition 2.14 (from [Ara22a]). *Given a diagram of n -groupoids*

$$\begin{array}{ccc} & X & \\ & \downarrow F & \\ Y & \xrightarrow{G} & Z \end{array}$$

where F is a fibration, the pullback $X \times_Z Y$ is an n -groupoid.

In [Ara22a] we constructed a long exact sequence in homotopy groups associated to a fibration of n -groupoids, which allowed us to prove the following result.

Proposition 2.15 (from [Ara22a]). *A fibration of n -groupoids $f : A \rightarrow B$ is a weak equivalence if and only if for every object $b \in B$ the fibre $f^{-1}(b)$ is weakly contractible.*

We will also need the following standard definition and Lemma, whose straightforward proof can be found in [Ara22a].

Definition 2.16. *A map of n -groupoids $f : X \rightarrow Y$ is a **trivial fibration** if it is both a fibration and a weak equivalence.*

Lemma 2.17. *Consider a pullback*

$$\begin{array}{ccc} X \times_B Y & \longrightarrow & Y \\ \downarrow & & \downarrow g \\ X & \xrightarrow{f} & B \end{array}$$

where f is a trivial fibration. Then $\pi_2 : X \times_B Y \rightarrow Y$ is a trivial fibration.

2.8. Coherence for adjunctions in a 3-category. We recall here the coherence result for adjunctions in a 3-category from [Ara22a], which we will need to use. We defined the 3-categorical presentation $\text{Adj}_{(3,1)}$ as follows.

Definition 2.18. *The presentation $\text{Adj}_{(3,1)}$ consists of*

- (0) objects $X = \bullet$ and $Y = \blacksquare$
- (1) 1-cells $l = \cdots \longleftarrow : X \longleftarrow Y : \longrightarrow \cdots = r$
- (2) 2-cells

$$u = \begin{array}{c} \cdots \\ \text{---} \cap \text{---} \\ \cdots \end{array} : \cdots \longleftarrow \longrightarrow \cdots \implies \cdots \longleftarrow \longrightarrow \cdots$$

$$c = \begin{array}{c} \cdots \\ \text{---} \cup \text{---} \\ \cdots \end{array} : \cdots \longleftarrow \longrightarrow \cdots \implies \cdots$$

- (3) 3-cells

$$C_l = \begin{array}{c} \text{---} \\ | \\ \text{---} \end{array} \begin{array}{c} \text{---} \\ \text{---} \end{array} : \begin{array}{c} \text{---} \\ \text{---} \end{array} \begin{array}{c} \text{---} \\ \text{---} \end{array} \implies \begin{array}{c} \text{---} \\ | \\ \text{---} \end{array} : \begin{array}{c} \text{---} \\ \text{---} \end{array} \begin{array}{c} \text{---} \\ \text{---} \end{array} = C_l^{-1}$$

$$C_r = \begin{array}{c} \text{---} \\ | \\ \text{---} \end{array} \begin{array}{c} \text{---} \\ \text{---} \end{array} : \begin{array}{c} \text{---} \\ \text{---} \end{array} \begin{array}{c} \text{---} \\ \text{---} \end{array} \implies \begin{array}{c} \text{---} \\ | \\ \text{---} \end{array} : \begin{array}{c} \text{---} \\ \text{---} \end{array} \begin{array}{c} \text{---} \\ \text{---} \end{array} = C_r^{-1}$$

- (4) relations

$$\begin{array}{c} \text{---} \\ | \\ \text{---} \end{array} \begin{array}{c} \text{---} \\ \text{---} \end{array} : \begin{array}{c} \text{---} \\ \text{---} \end{array} \begin{array}{c} \text{---} \\ \text{---} \end{array} = \text{Id}_l^{(2)}$$

$$\begin{array}{c} \text{---} \\ | \\ \text{---} \end{array} \begin{array}{c} \text{---} \\ \text{---} \end{array} : \begin{array}{c} \text{---} \\ \text{---} \end{array} \begin{array}{c} \text{---} \\ \text{---} \end{array} = \begin{array}{c} \text{---} \\ \text{---} \end{array}$$

$$\begin{array}{c} \text{---} \\ | \\ \text{---} \end{array} \begin{array}{c} \text{---} \\ \text{---} \end{array} : \begin{array}{c} \text{---} \\ \text{---} \end{array} \begin{array}{c} \text{---} \\ \text{---} \end{array} = \text{Id}_r^{(2)}$$

$$\begin{array}{c} \text{---} \\ | \\ \text{---} \end{array} \begin{array}{c} \text{---} \\ \text{---} \end{array} : \begin{array}{c} \text{---} \\ \text{---} \end{array} \begin{array}{c} \text{---} \\ \text{---} \end{array} = \begin{array}{c} \text{---} \\ \text{---} \end{array}$$

$$\begin{array}{c} \text{---} \\ | \\ \text{---} \end{array} \begin{array}{c} \text{---} \\ \text{---} \end{array} : \begin{array}{c} \text{---} \\ \text{---} \end{array} \begin{array}{c} \text{---} \\ \text{---} \end{array} = \begin{array}{c} \text{---} \\ \text{---} \end{array}$$

We proved the corresponding coherence result.

Theorem 2.19 (from [Ara22a]). *Given a strict 3-category \mathcal{C} , the restriction map*

$$E_l : \text{Map}(\text{Adj}_{(3,1)}, \mathcal{C}) \rightarrow \text{Map}^L(\theta^{(1)}, \mathcal{C})$$

is a weak equivalence of strict 3-groupoids.

Finally, we showed that certain additional relations are satisfied in $F(\text{Adj}_{(3,1)})$. Denote by (SW) the last relation in $\text{Adj}_{(3,1)}$, which is called a **swallowtail** relation. Usually the definition of a coherent adjunction in a 3-category includes another swallowtail relation, which we call here (SW₂), but in [Pst22] the author proves that one follows from the other. In [Ara22a] we gave a string diagram proof of this fact. There are also relations $\overline{\text{SW}}$ and $\overline{\text{SW}}_2$ whose sources are inverse to those of SW and SW₂. We therefore defined a larger presentation $\text{Adj}_{(3,1)}^+$ and showed that $F(\text{Adj}_{(3,1)}^+) = F(\text{Adj}_{(3,1)})$.

Definition 2.20. *We define $\text{Adj}_{(3,1)}^+$ to be the presentation obtained from $\text{Adj}_{(3,1)}$ by adding the relations*

(SW)

(SW₂)

($\overline{\text{SW}}_2$)

Proposition 2.21 ([Ara22a]). *We have $F(\text{Adj}_{(3,1)}^+) = F(\text{Adj}_{(3,1)})$.*

3. THE PRESENTATION

We start by defining the presentation $\text{Adj}_{(4,1)}$ consisting of coherence data for an adjunction between 1-morphisms in a 4-category. This presentation is obtained from $\text{Adj}_{(3,1)}$ by replacing each relation between 3-morphisms by a pair of 4-morphisms and then adding relations witnessing the fact that these 4-morphisms are inverse to each other. Moreover, we add two snake relations expressing the fact that each of the two weakly inverse pairs of cusp 3-cells in $\text{Adj}_{(4,1)}$ is an adjoint equivalence (note that two adjunctions would normally require four snake relations, but in the case of adjoint equivalences one snake relation implies the other, see the nLab page "adjoint equivalence" for a string diagram proof of this fact).

Definition 3.1. *The presentation $\text{Adj}_{(4,1)}$ consists of*

(0) 0-cells $X = \text{---}$ and $Y = \text{---}$

(1) 1-cells

$$l = \text{---} \longleftarrow : X \rightleftarrows Y : \longrightarrow \text{---} = r$$

(2) 2-cells

$$\eta = \text{---} \begin{array}{c} \text{---} \\ \cap \\ \text{---} \end{array} : \text{---} \implies \text{---} \longleftarrow \text{---}$$

$$\epsilon = \text{---} \begin{array}{c} \text{---} \\ \cup \\ \text{---} \end{array} : \text{---} \longleftarrow \text{---} \implies \text{---}$$

(3) 3-cells

$$\begin{aligned}
 C_l &= \left[\text{Cup} \right] : \left[\text{Wavy} \right] \rightleftharpoons \left[\text{Cap} \right] : \left[\text{Cup} \right] = C_l^{-1} \\
 C_r &= \left[\text{Cup} \right] : \left[\text{Wavy} \right] \rightleftharpoons \left[\text{Cap} \right] : \left[\text{Cup} \right] = C_r^{-1}
 \end{aligned}$$

(4) 4-cells

$$\begin{aligned}
 c_{C_l} &= \left[\text{Cup} \right] : \left[\text{Wavy} \right] \rightleftharpoons \text{Id}_l^{(2)} : \left[\text{Cup} \right] = c_{C_l}^{-1} \\
 u_{C_l}^{-1} &= \left[\text{Cup} \right] : \left[\text{Wavy} \right] \rightleftharpoons \left[\text{Cup} \right] : \left[\text{Cup} \right] = u_{C_l} \\
 c_{C_r} &= \left[\text{Cup} \right] : \left[\text{Wavy} \right] \rightleftharpoons \text{Id}_r^{(2)} : \left[\text{Cup} \right] = c_{C_r}^{-1} \\
 u_{C_r}^{-1} &= \left[\text{Cup} \right] : \left[\text{Wavy} \right] \rightleftharpoons \left[\text{Cup} \right] : \left[\text{Cup} \right] = u_{C_r} \\
 SW &= \left[\text{Cup} \right] : \left[\text{Wavy} \right] \rightleftharpoons \left[\text{Cup} \right] : \left[\text{Cup} \right] = SW^{-1}
 \end{aligned}$$

(5) relations

$$\left[\text{Cup} \right] = \text{Id}_l^{(3)} ; \quad \left[\text{Cup} \right] = \left[\text{Cup} \right]$$

The image displays 12 equations of string diagrams, organized into two columns. Each equation shows a complex diagram on the left, an equals sign, a simpler diagram in the middle, and another equals sign with a final diagram on the right. The diagrams use horizontal lines for 1-morphisms, vertical lines for 2-morphisms, and various shapes for 3- and 4-morphisms.

- Equation 1:** A diagram with a top horizontal line, a middle oval, and a bottom horizontal line is equal to a diagram with two horizontal lines and a vertical line connecting them.
- Equation 2:** A diagram with a top horizontal line, a middle U-shaped curve, and a bottom horizontal line is equal to a diagram with two horizontal lines and a vertical line connecting them.
- Equation 3:** A diagram with a top horizontal line, a middle oval, and a bottom horizontal line is equal to $\text{Id}_r^{(3)}$.
- Equation 4:** A diagram with a top horizontal line, a middle U-shaped curve, and a bottom horizontal line is equal to a diagram with two horizontal lines and a vertical line connecting them.
- Equation 5:** A diagram with a top horizontal line, a middle oval, and a bottom horizontal line is equal to a diagram with two horizontal lines and a vertical line connecting them.
- Equation 6:** A diagram with a top horizontal line, a middle U-shaped curve, and a bottom horizontal line is equal to a diagram with two horizontal lines and a vertical line connecting them.
- Equation 7:** A diagram with a top horizontal line, a middle hexagon, and a bottom horizontal line is equal to $\text{Id}_u^{(2)}$.
- Equation 8:** A diagram with a top horizontal line, a middle U-shaped curve, and a bottom horizontal line is equal to a diagram with two horizontal lines and a vertical line connecting them.
- Equation 9:** A diagram with a top horizontal line, a middle U-shaped curve, and a bottom horizontal line is equal to Id_{C_l} .
- Equation 10:** A diagram with a top horizontal line, a middle U-shaped curve, and a bottom horizontal line is equal to Id_{C_r} .

An adjunction in a 4-category is a pair of 1-morphisms, together with unit and counit 2-morphisms satisfying the snake relations up to 3-equivalence. By picking weakly inverse pairs of 3-morphisms - which are usually called **cusp 3-morphisms** - implementing these snake relations and then considering the invertible 4-morphisms and relations between these, implied in witnessing the fact that these are in fact weakly inverse pairs of 3-morphisms, one obtains most of the cells in the above presentation. Additionally, one needs the

swallowtail 4-morphism SW and its inverse, together with two relations witnessing the fact that these are an inverse pair. Finally, we add two snake relations expressing the fact that each weakly inverse pair of cusp 3-morphisms is an adjoint equivalence.

In [Ver92] and [Gur12] the definitions of coherent adjunction include two swallowtail relations, but in [Pst22] the author shows that the second follows from the first. Here we are one categorical dimension above, so we instead have a swallowtail 3-morphism (together with an inverse), from which we can construct a second swallowtail 3-morphism, related to the first by a **butterfly relation**. For this reason, we only need to include one swallowtail 3-morphism and no butterfly relations in our presentation. The butterfly relations are included as part of the coherence data for an adjunction in a 4-category in e.g. [BV17]. Our result shows that they are actually not required in a minimal presentation of the coherence data. We will show below how to enlarge our presentation to include the butterfly relations, as well as certain relations we call **swallowtail flip relations** (analogous to the cusp flip relations in [SP09]), obtaining a presentation which generates an isomorphic 4-category.

3.1. Enlarging the presentation. In writing down the presentation $\text{Adj}_{(4,1)}$ we have tried to make it as small as possible. However, it is also sometimes useful to have more generators and relations at our disposal. We now introduce an enlarged presentation $\text{Adj}_{(4,1)}^{max}$ and show that the map $F(\text{Adj}_{(4,1)}) \rightarrow F(\text{Adj}_{(4,1)}^{max})$ induced by the inclusion of presentations is an isomorphism of 4-categories, by constructing an explicit inverse. We do this by introducing new generating 4-cells, together with relations which force them to be equal to certain composites of generators in $\text{Adj}_{(4,1)}$, as well as some extra relations which already follow from the ones in $\text{Adj}_{(4,1)}$.

3.1.1. Additional snake relations. Consider the final two relations in $\text{Adj}_{(4,1)}$. We include them because we want the cusp 3-morphisms to be not only equivalences but adjoint equivalences. More precisely, we want $(C_l \dashv C_l^{-1}, u_{C_l}, c_{C_l})$ and $(C_r \dashv C_r^{-1}, u_{C_r}, c_{C_r})$ to be adjunctions. However, we have only included two snake relations, whereas we would need four such relations to witness these two adjunctions. The reason we left out these other snake relations is that, in the case of adjoint equivalences, they follow from the ones we included. A string diagram proof of this fact can be found in the nLab page "adjoint equivalence". We can also include the four snake relations involving the generators $u_{C_l}^{-1}, c_{C_l}^{-1}, u_{C_r}^{-1}, c_{C_r}^{-1}$, which follow from the ones above because their sources are inverses.

Definition 3.2. Let $\text{Adj}_{(4,1)}^+$ be the presentation obtained from $\text{Adj}_{(4,1)}$ by adding the six relations

Proposition 3.3. *We have $F(\text{Adj}_{(4,1)}) = F(\text{Adj}_{(4,1)}^+)$.*

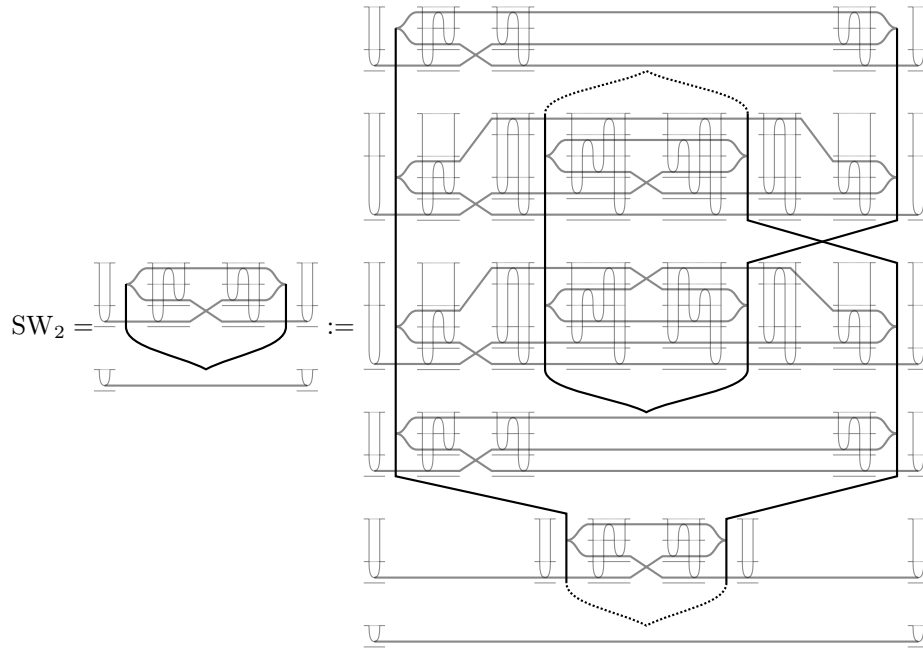
Proof. We have only added relations which already hold in $F(\text{Adj}_{(4,1)})$. □

3.1.2. *The second swallowtail 4-morphism and the butterfly relations.* We will now construct inside $F(\text{Adj}_{(4,1)})$ a second swallowtail 4-morphism SW_2 , together with an inverse SW_2^{-1} .

We will then show that these 4-morphisms are related to $\text{SW}, \text{SW}^{-1}$ by two butterfly relations.

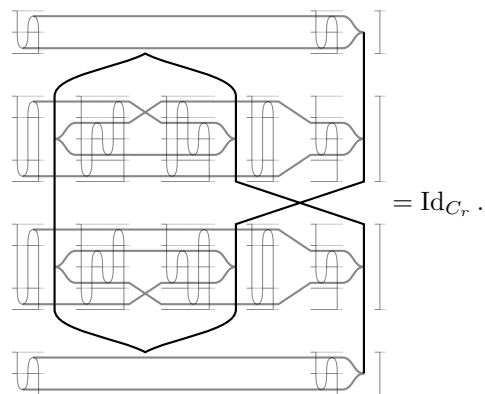
The construction proceeds as follows. Consider the map of 3-categories $F(\text{Adj}_{(3,1)}) \rightarrow \mathfrak{h}_3(F(\text{Adj}_{(4,1)}))$ determined by the obvious map on generators. By Proposition 2.21 the relation SW_2 holds in $F(\text{Adj}_{(3,1)})$, so it will also hold in $\mathfrak{h}_3(F(\text{Adj}_{(4,1)}))$. Therefore we can pick an isomorphism

in $F(\text{Adj}_{(4,1)})$. This is obviously not unique, but an explicit construction can be found in [Ara22a]. Now we just need to modify this so that it satisfies the butterfly relations. So define SW_2 by

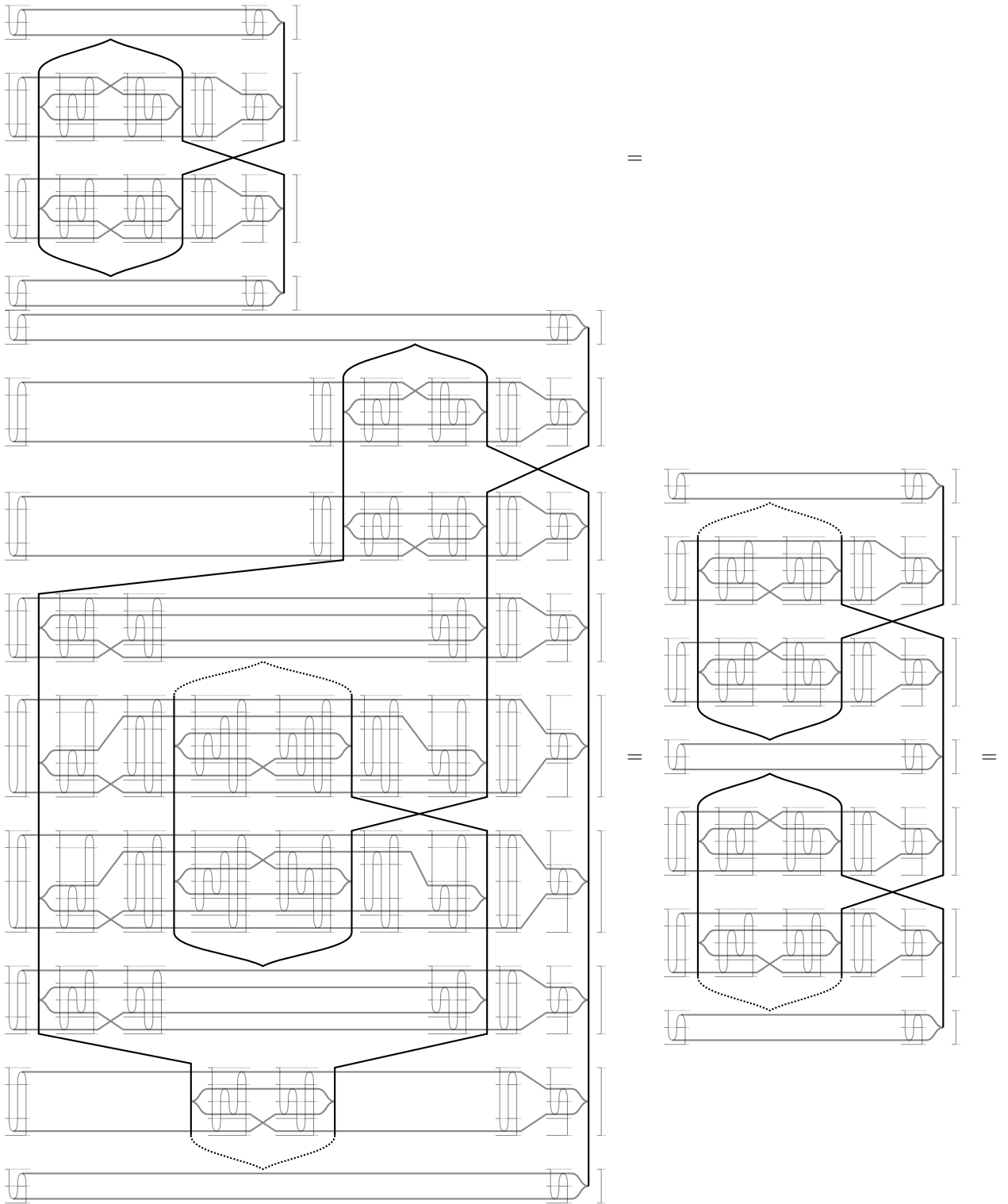


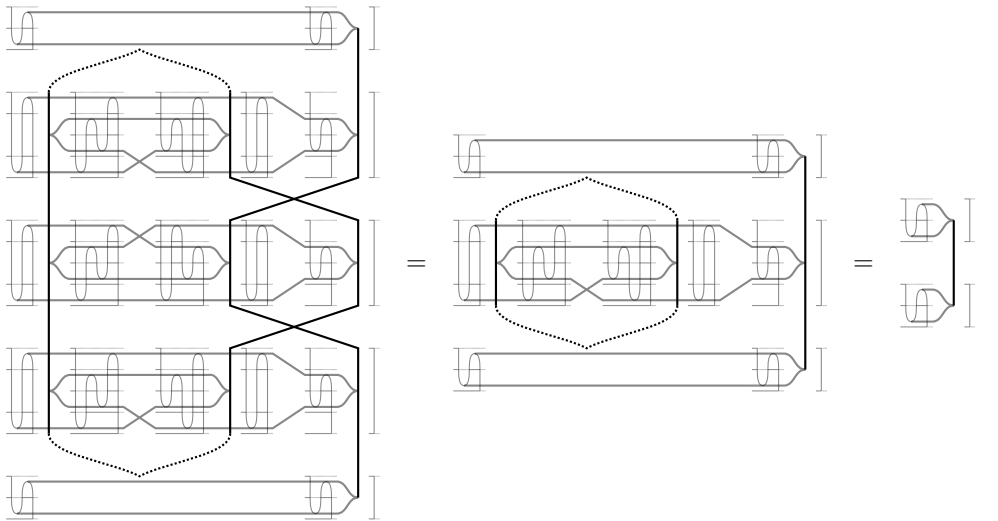
It is clear that SW_2 is invertible, being a composite of invertible morphisms.

Lemma 3.4. *The 4-morphisms SW^{-1} and SW_2 (as defined above) satisfy the butterfly relation*



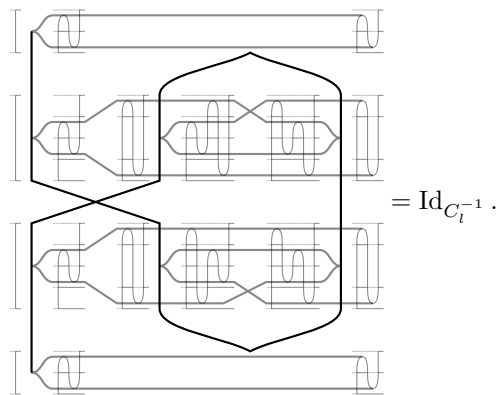
Proof. The proof is the following string diagram computation.



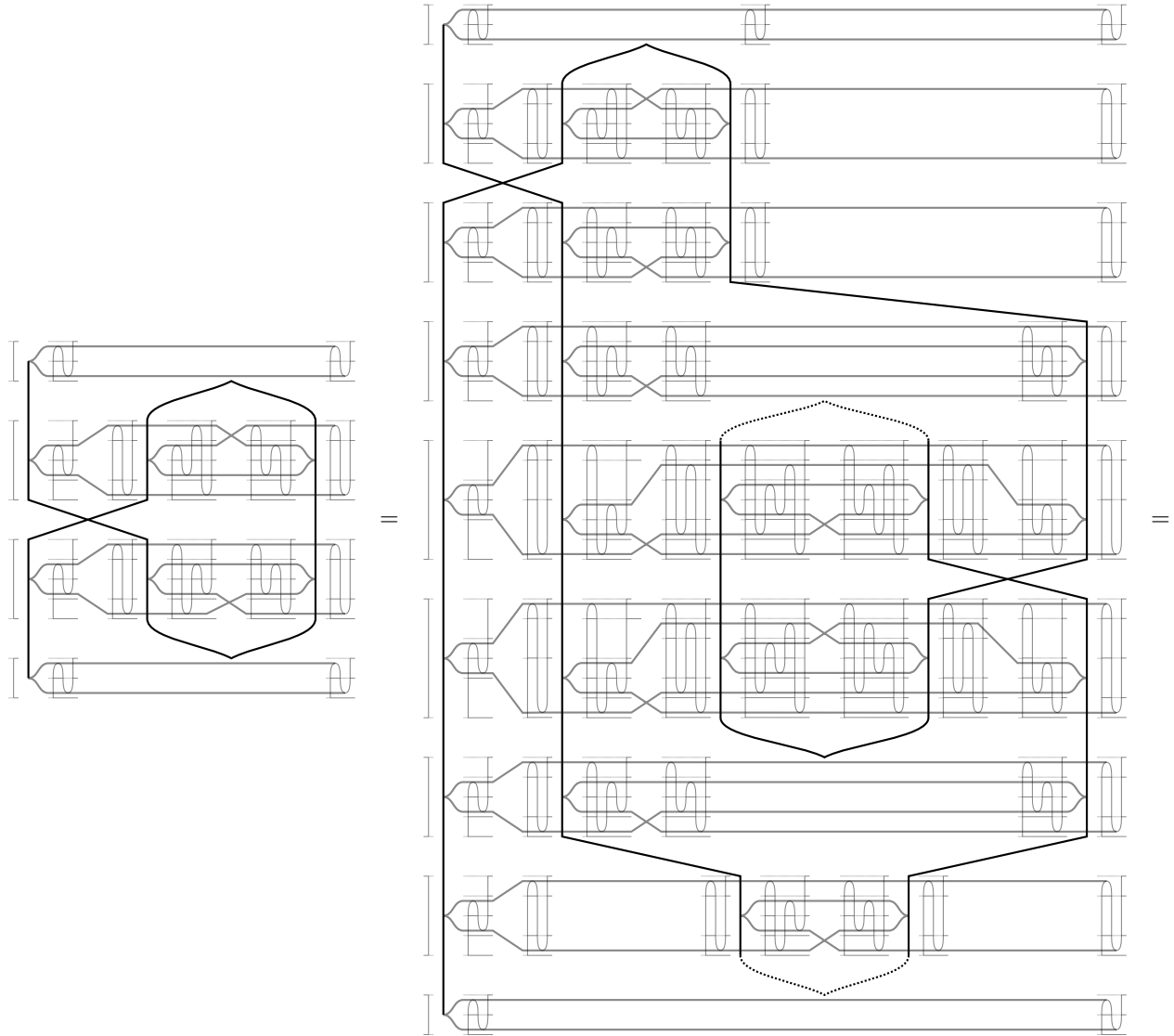


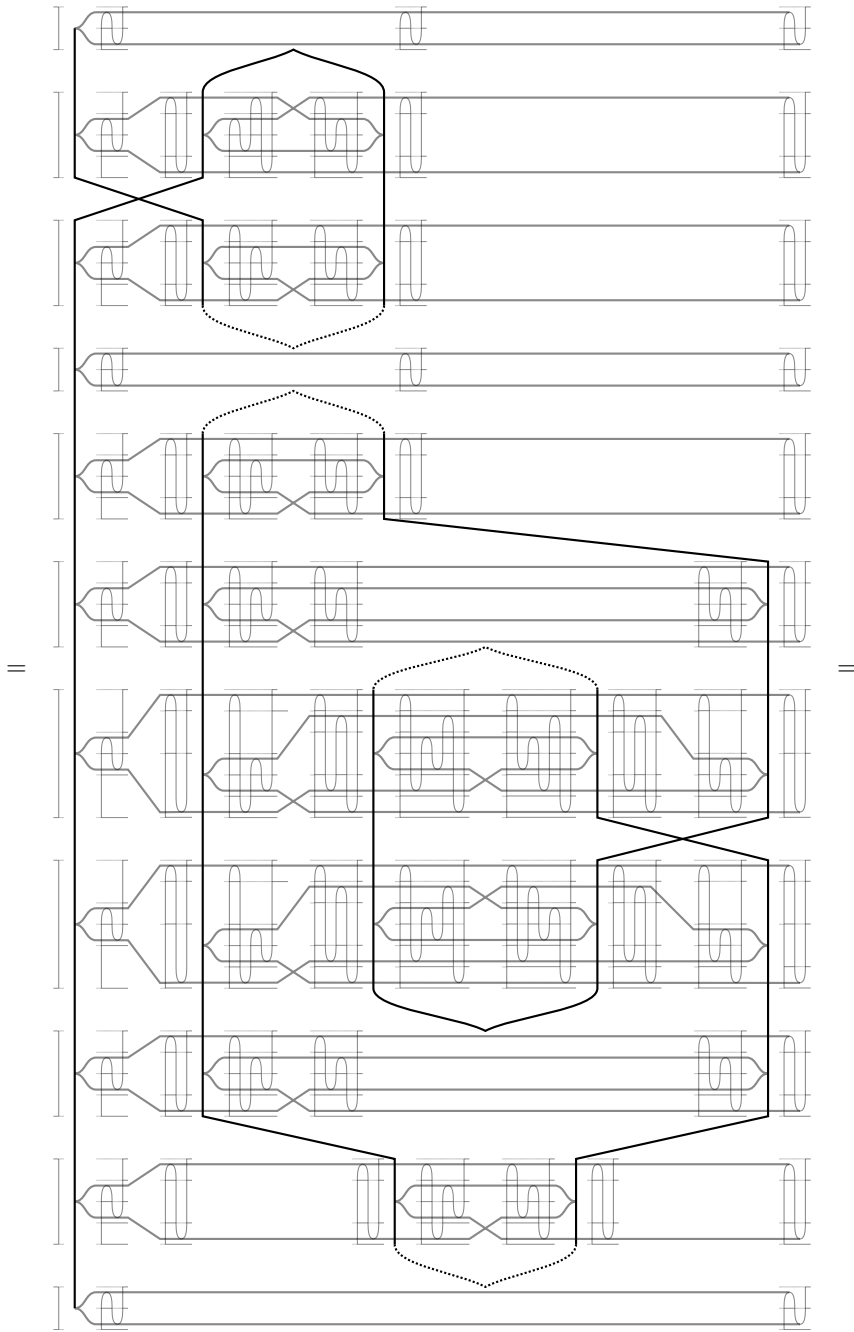
□

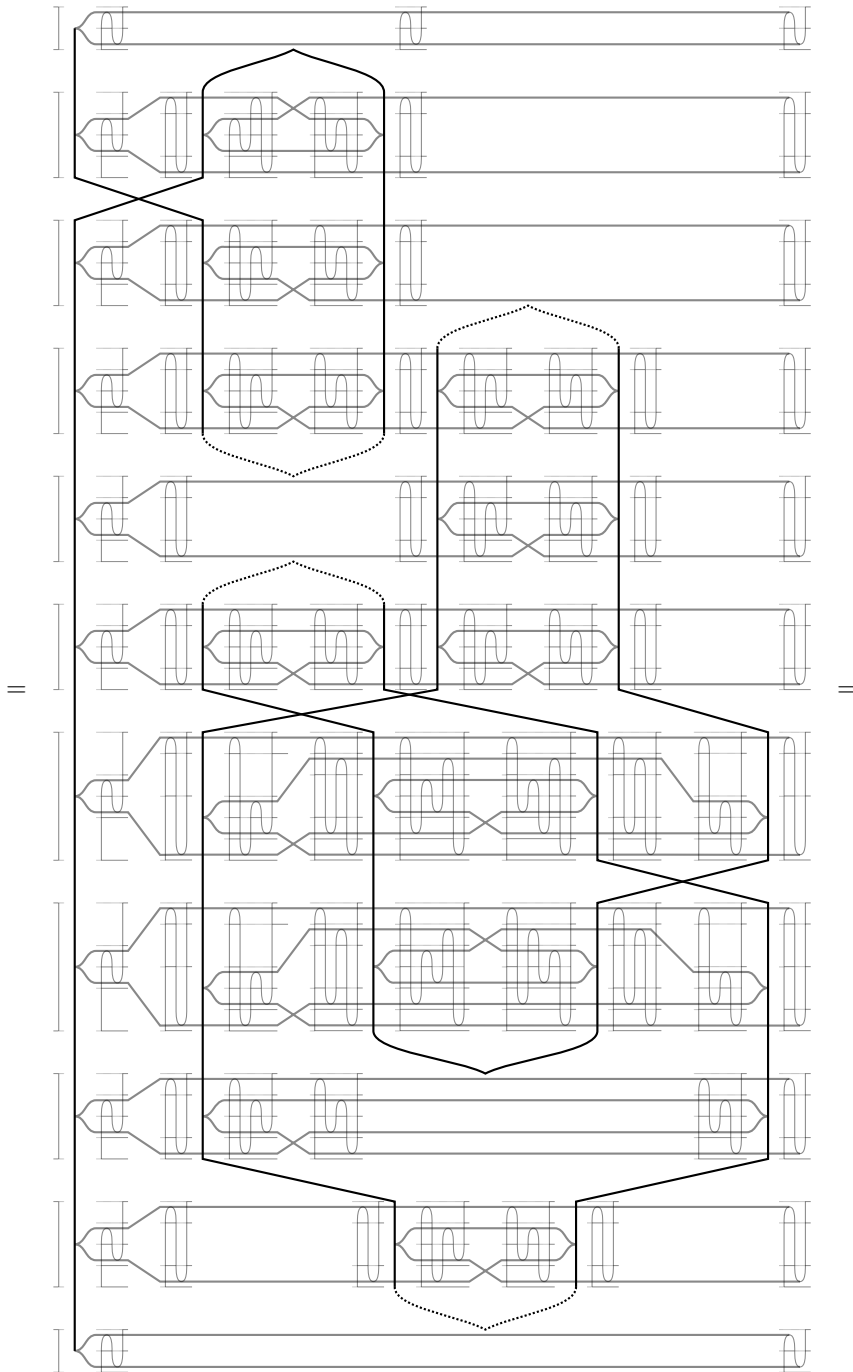
Lemma 3.5. *The 4-morphisms SW^{-1} and SW_2 (as defined above) satisfy the butterfly relation*

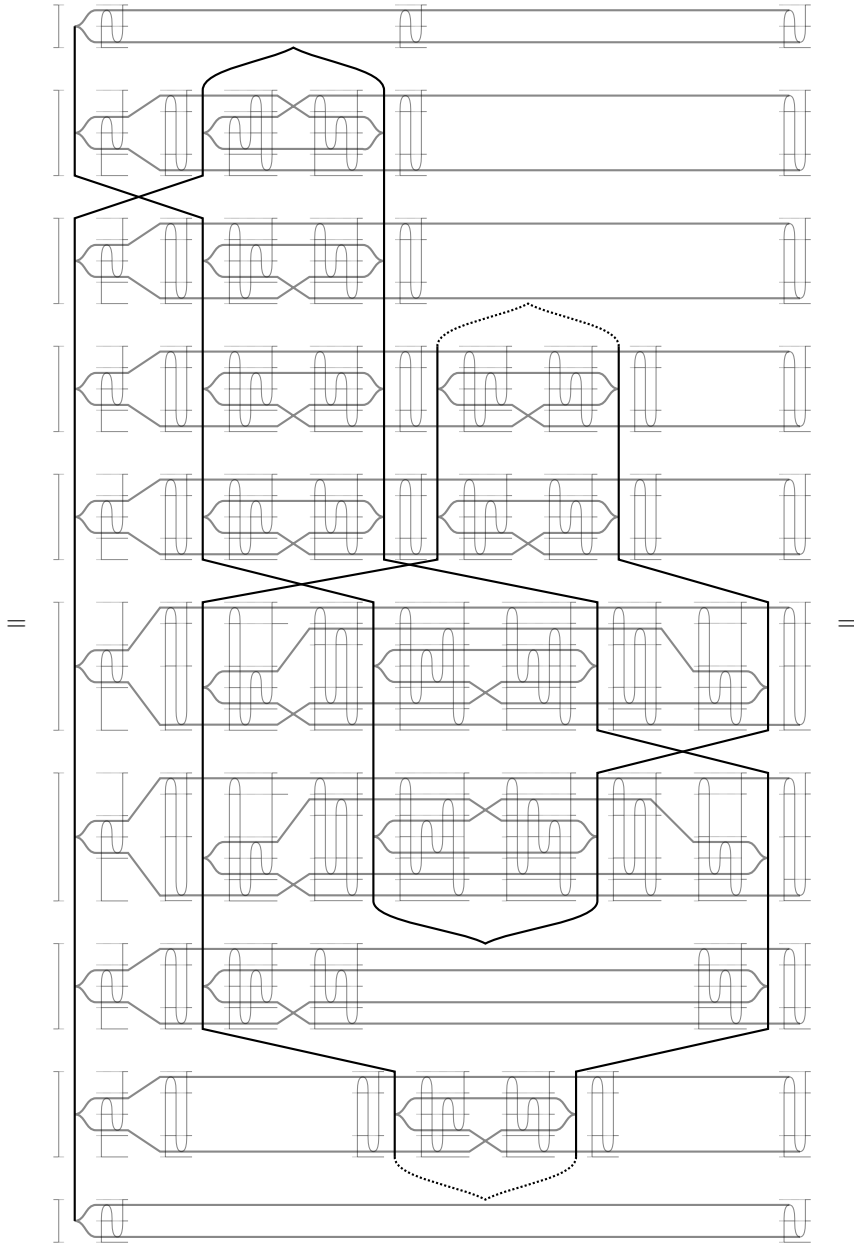


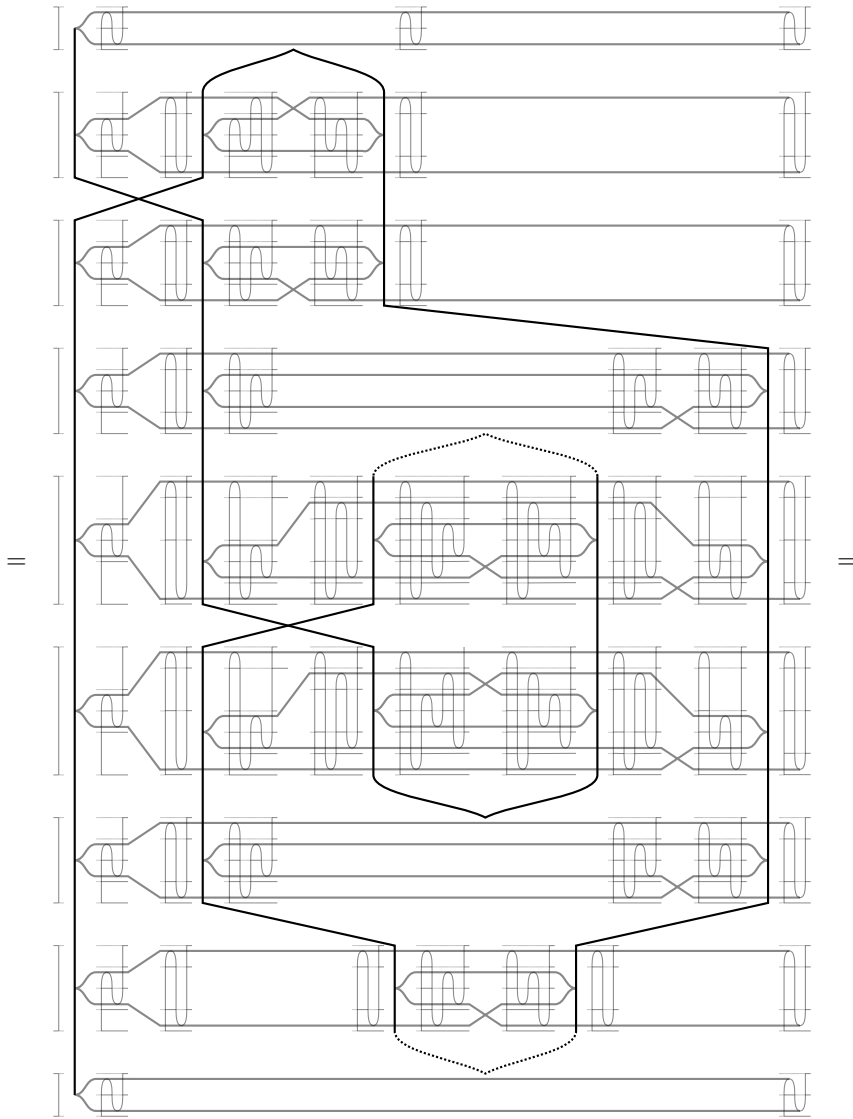
Proof. The proof is the following string diagram computation.

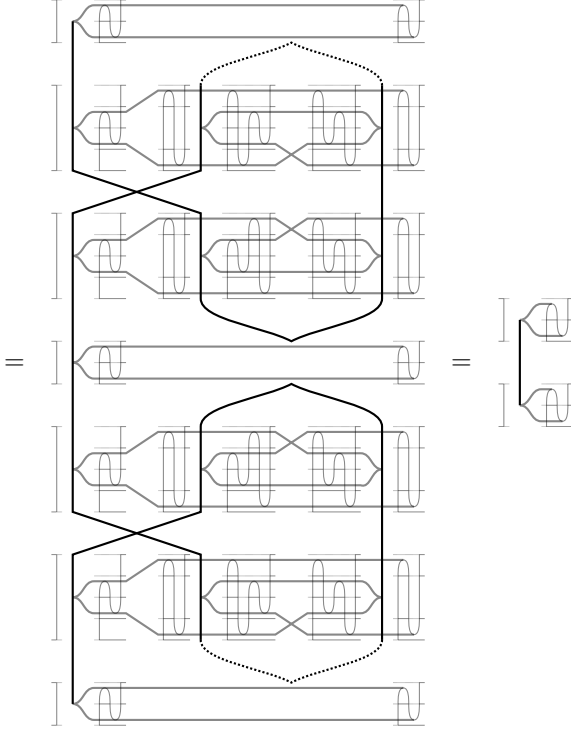












□

Now we show that in fact the butterfly relations uniquely determine our choice of SW_2 .

Definition 3.6. Let $\text{Adj}_{(4,1)}^{++}$ be the presentation obtained from $\text{Adj}_{(4,1)}^+$ by adding generating 4-cells SW_2 and SW_2^{-1} and the two butterfly relations, as above, together with two relations witnessing the fact that SW_2 and SW_2^{-1} are inverse to each other.

Lemma 3.7. Let \mathcal{C} be a 4-category and $F, G : F(\text{Adj}_{(4,1)}^{++}) \rightarrow \mathcal{C}$ functors which agree on $\text{Adj}_{(4,1)}^+$. Then $F = G$.

Proof. We need to show that $F(\text{SW}_2) = G(\text{SW}_2)$, which amounts to the fact that the butterfly relations already uniquely constrain the choice of SW_2 , once the choice of SW is fixed. This can be proved by a string diagram calculation which is very similar to the one in the proof of Lemma 4.5 below.

□

Proposition 3.8. The functor $F(\text{Adj}_{(4,1)}^+) \rightarrow F(\text{Adj}_{(4,1)}^{++})$ induced by the inclusion of presentations is an isomorphism.

Proof. The above constructions determine a functor $F(\text{Adj}_{(4,1)}^{++}) \rightarrow F(\text{Adj}_{(4,1)}^+)$ which is the identity on $F(\text{Adj}_{(4,1)}^+)$. So we only need to show that the composite $F(\text{Adj}_{(4,1)}^{++}) \rightarrow F(\text{Adj}_{(4,1)}^+) \rightarrow F(\text{Adj}_{(4,1)}^{++})$ is the identity. This follows from the above Lemma.

□

3.1.3. *The swallowtail flip relations.* In addition to SW and SW_2 , we can define isomorphisms $\overline{\text{SW}}$ and $\overline{\text{SW}}_2$ between the inverses of the sources of SW and SW_2 and the appropriate identity morphisms. These are related to SW, SW_2 by the swallowtail flip relations and they also satisfy two butterfly relations.

$$\begin{array}{c}
 \overline{SW} = \text{Diagram 1} : \text{Diagram 2} \iff \text{Diagram 3} : \text{Diagram 4} = \overline{SW}^{-1} \\
 \overline{SW}_2 = \text{Diagram 5} : \text{Diagram 6} \iff \text{Diagram 7} : \text{Diagram 8} = \overline{SW}_2^{-1}
 \end{array}$$

Namely, we can take

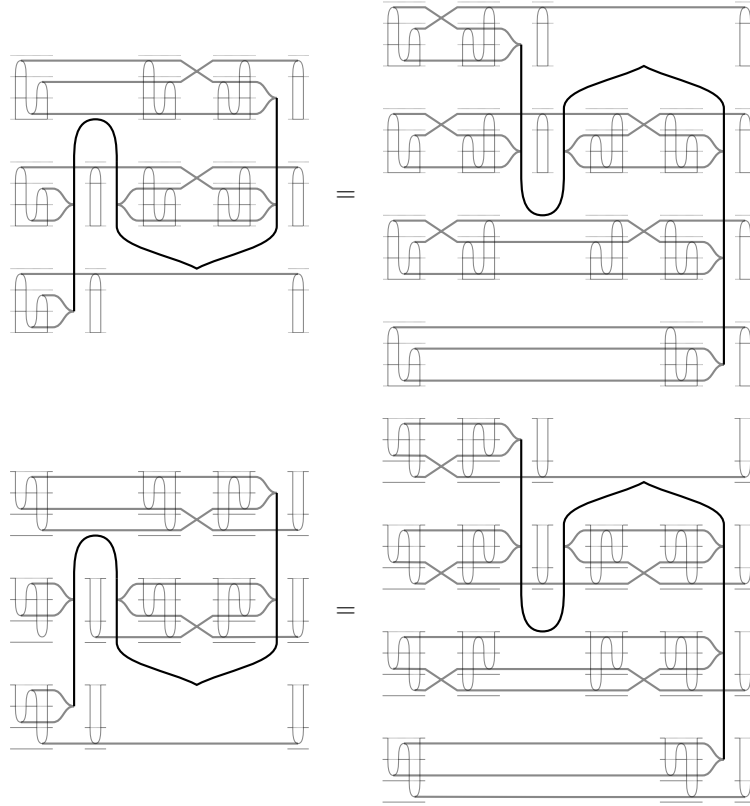
$$\overline{SW} = \text{Diagram 1} := \text{Diagram 2}$$

and

$$\overline{SW}_2 = \text{Diagram 1} := \text{Diagram 2}$$

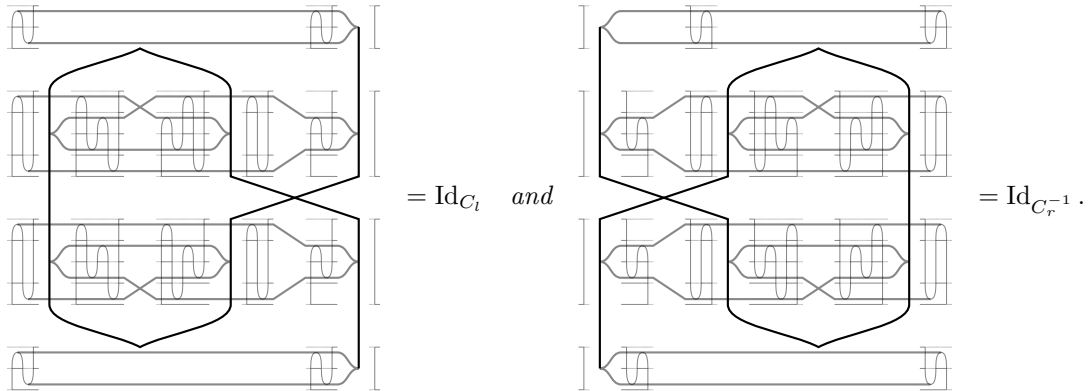
Remark 3.9. We could also have defined \overline{SW} and \overline{SW}_2 by bending the legs of SW and SW_2 to the right, instead of the left. It is easy to show, using the snake relations, that the resulting composites would be equal to the ones we have written down.

Lemma 3.10. The pairs (SW^{-1}, \overline{SW}) and $(SW_2^{-1}, \overline{SW}_2)$ satisfy the two *swallowtail flip relations*:

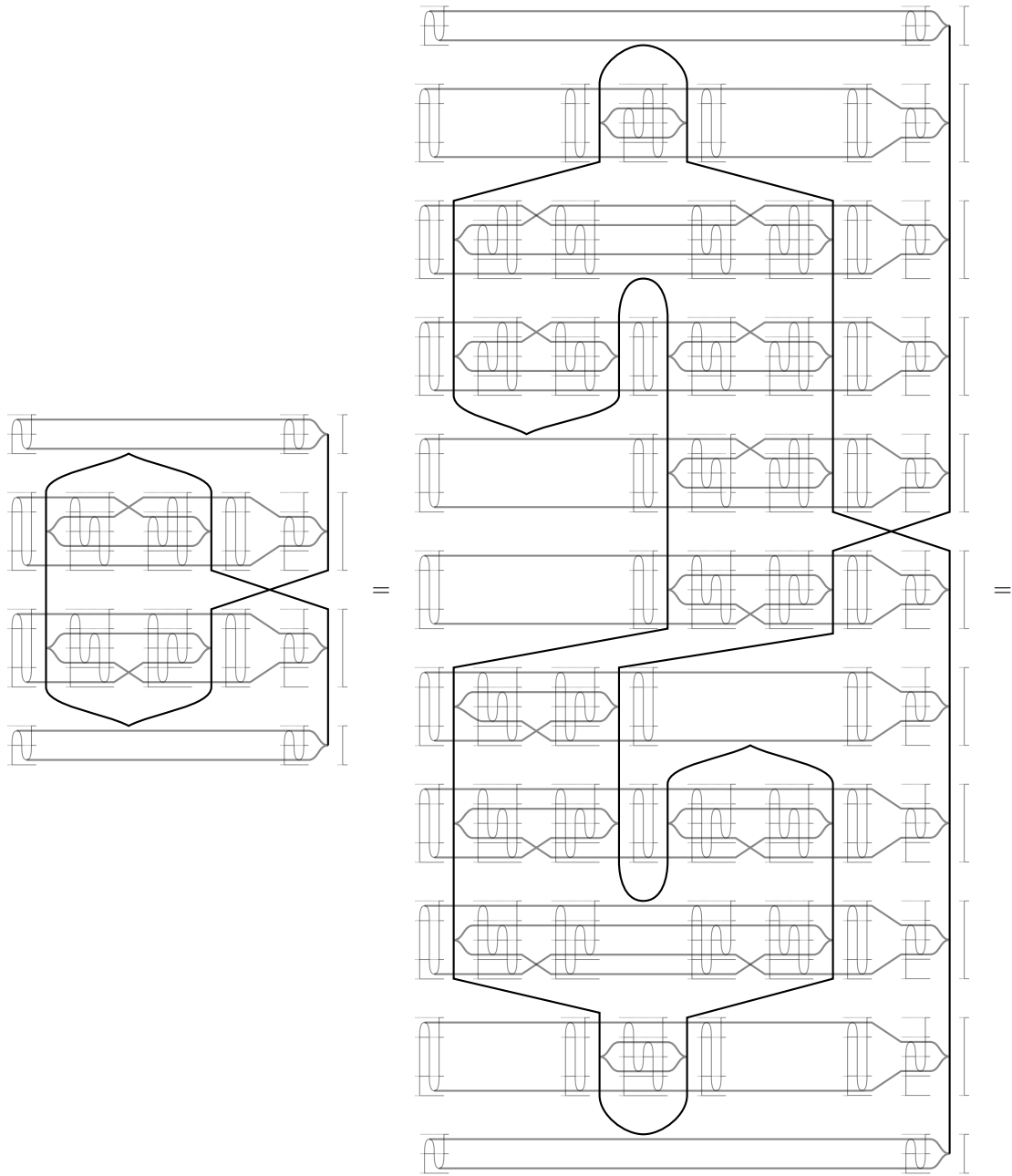


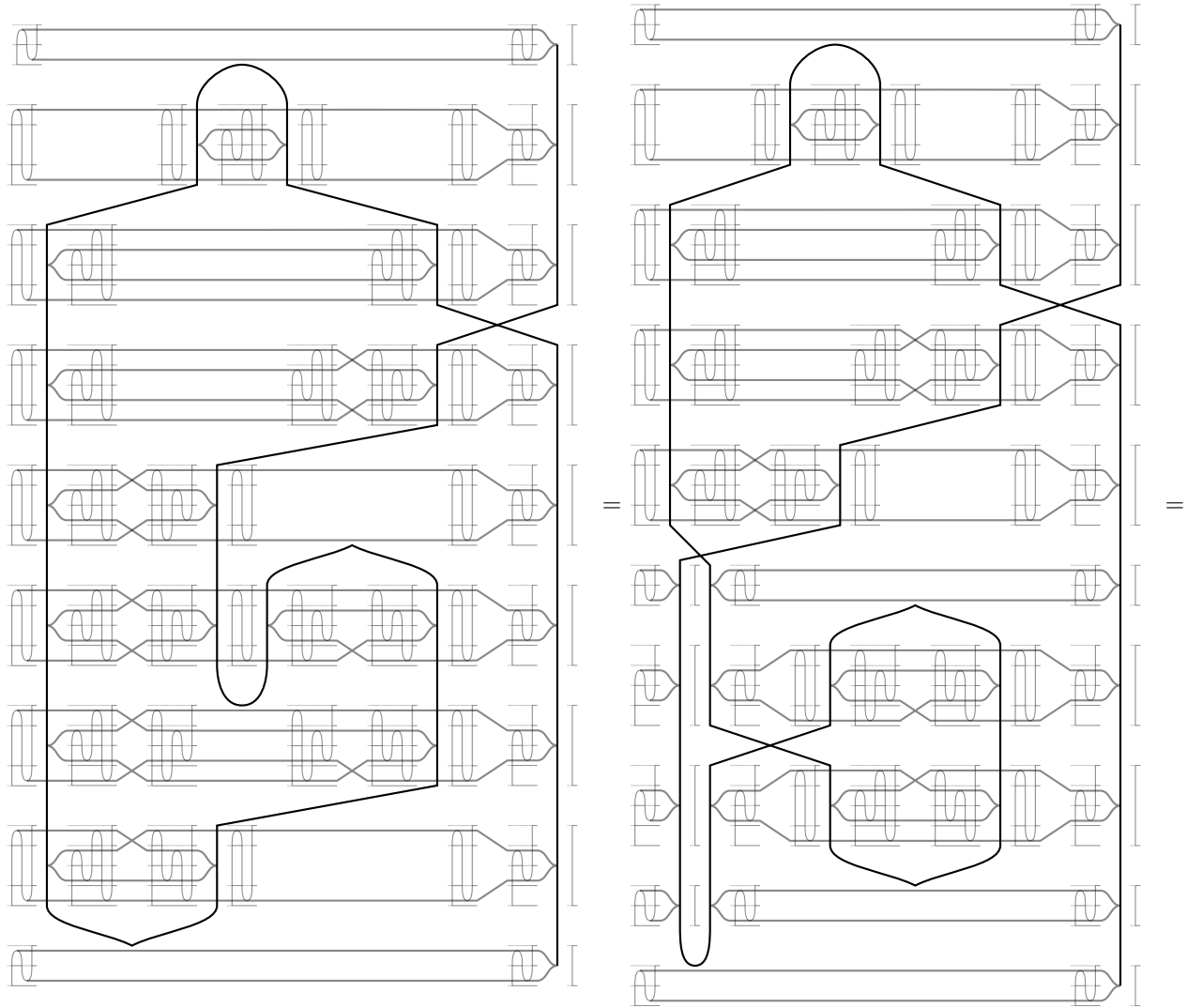
Proof. This is immediate from the definition of $\overline{SW}, \overline{SW}_2$, using the snake relations. □

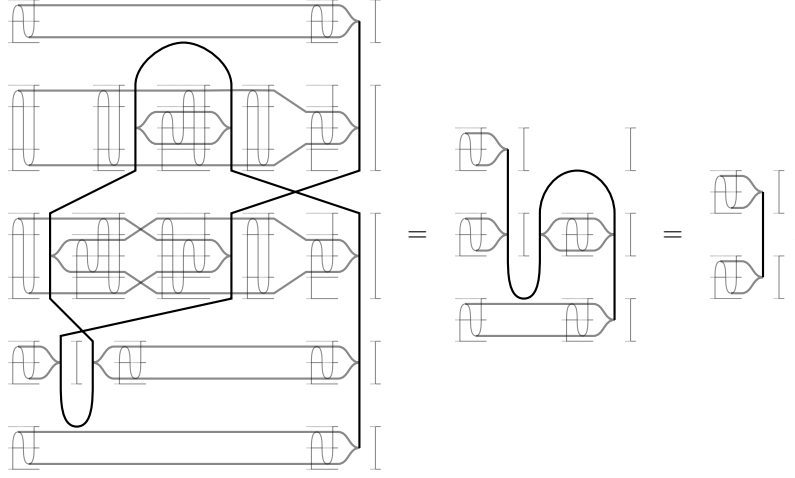
Lemma 3.11. *The 4-morphisms \overline{SW}^{-1} and \overline{SW}_2 as defined above satisfy the butterfly relations*



Proof. The proof of the first relation is the string diagram computation below. The proof of the second relation is a very similar computation.







□

Definition 3.12. Let $\text{Adj}_{(4,1)}^{+++}$ be the presentation obtained from $\text{Adj}_{(4,1)}^{++}$ by adding generating 4-cells $\overline{\text{SW}}$, $\overline{\text{SW}}^{-1}$, $\overline{\text{SW}}_2$ and $\overline{\text{SW}}_2^{-1}$ together with four relations witnessing the fact that these two pairs of cells are actually inverse two each other; the two butterfly relations, as above; plus the two swallowtail flip relations as above.

Lemma 3.13. Let \mathcal{C} be a 4-category and $F, G : F(\text{Adj}_{(4,1)}^{+++}) \rightarrow \mathcal{C}$ functors which agree on $\text{Adj}_{(4,1)}^{++}$. Then $F = G$.

Proof. The swallowtail flip relations imply that the images of $\overline{\text{SW}}$ and $\overline{\text{SW}}_2$ under F and G must be defined from the images of SW^{-1} and SW_2^{-1} by the formulas we used above. Finally the images of $\overline{\text{SW}}^{-1}$ and $\overline{\text{SW}}_2^{-1}$ must be the inverses of the images of $\overline{\text{SW}}$ and $\overline{\text{SW}}_2$. This shows that F and G are determined by their values on $\text{Adj}_{(4,1)}^{++}$, so $F = G$.

□

Proposition 3.14. The functor $F(\text{Adj}_{(4,1)}^{+++}) \rightarrow F(\text{Adj}_{(4,1)}^{++})$ induced by the inclusion of presentations is an isomorphism.

Proof. The constructions above determine a functor $F(\text{Adj}_{(4,1)}^{+++}) \rightarrow F(\text{Adj}_{(4,1)}^{++})$ which is inverse to the inclusion, by the previous Lemma.

□

3.1.4. The final enlarged presentation. Finally, one can add some extra relations which already hold in $F(\text{Adj}_{(4,1)}^{+++})$. There are two swallowtail flip relations that look exactly like the ones we wrote down, except we bend one leg to the right, instead of the left. These follow from the ones we wrote down, by Remark 3.9. There are then four additional swallowtail flip relations, whose sources are inverse to the four already described. Finally there are four additional butterfly relations, whose sources are inverse to the four already described.

Definition 3.15. We define the presentation $\text{Adj}_{(4,1)}^{max}$ by adding to $\text{Adj}_{(4,1)}^{+++}$ the six swallowtail flip relations and four butterfly relations described above.

This presentation therefore includes a total of four inverse pairs of swallowtail 4-morphisms (one of these pairs is already in $\text{Adj}_{(4,1)}$), eight butterfly relations, eight swallowtail flip relations and eight snake relations (two of which are in $\text{Adj}_{(4,1)}$).

Lemma 3.16. *We have $F(\text{Adj}_{(4,1)}^{max}) = F(\text{Adj}_{(4,1)}^{+++})$*

Proof. We have only added relations which already hold in $\text{Adj}_{(4,1)}^{+++}$. □

Corollary 3.17. *The inclusion map $F(\text{Adj}_{(4,1)}) \rightarrow F(\text{Adj}_{4,1}^{max})$ is an isomorphism, with an explicit inverse given by the constructions in this section.*

In view of the above result, we will sometimes use generators and relations from $\text{Adj}_{4,1}^{max}$ in our computations in the rest of this paper, as these can all be interpreted inside $F(\text{Adj}_{(4,1)})$.

4. PROOF OF THE MAIN THEOREM

We now give a proof of the Main Theorem, which we state here again, for convenience.

Theorem 4.1 (Main Theorem). *Given a strict 4-category \mathcal{C} , the restriction map*

$$E_l : \text{Map}(\text{Adj}_{(4,1)}, \mathcal{C}) \rightarrow \text{Map}^L(\theta^{(1)}, \mathcal{C})$$

is an equivalence of strict 4-groupoids.

Theorem 4.1 will be a consequence of the following Lemma.

Lemma 4.2. *Given a 4-category \mathcal{C} , the map*

$$\text{Map}(\text{Adj}_{(4,1)}, \mathcal{C}) \rightarrow \text{Map}(\text{Adj}_{(4,1)}, \mathfrak{h}_3(\mathcal{C})) \times_{\text{Map}^L(\theta^{(1)}, \mathfrak{h}_3(\mathcal{C}))} \text{Map}^L(\theta^{(1)}, \mathcal{C})$$

induced by the square

$$\begin{array}{ccc} \text{Map}(\text{Adj}_{(4,1)}, \mathcal{C}) & \xrightarrow{E_l} & \text{Map}^L(\theta^{(1)}, \mathcal{C}) \\ \downarrow & & \downarrow \\ \text{Map}(\text{Adj}_{(4,1)}, \mathfrak{h}_3(\mathcal{C})) & \xrightarrow{E_l} & \text{Map}^L(\theta^{(1)}, \mathfrak{h}_3(\mathcal{C})) \end{array}$$

is a weak equivalence.

Given this Lemma, it is easy to give a proof of Theorem 4.1.

Proof of Theorem 4.1. Note that the bottom map in the square from Lemma 4.2 is the same as

$$\text{Map}(\text{Adj}_{(3,1)}, \mathfrak{h}_3(\mathcal{C})) \rightarrow \text{Map}^L(\theta^{(1)}, \mathfrak{h}_3(\mathcal{C}))$$

which is a fibration by Theorem 2.12 and a weak equivalence of 3-groupoids by Proposition 2.19. Therefore, applying Lemma 2.17, the map

$$\pi_2 : \text{Map}(\text{Adj}_{(4,1)}, \mathfrak{h}_3(\mathcal{C})) \times_{\text{Map}^L(\theta^{(1)}, \mathfrak{h}_3(\mathcal{C}))} \text{Map}^L(\theta^{(1)}, \mathcal{C}) \rightarrow \text{Map}^L(\theta^{(1)}, \mathcal{C})$$

is a trivial fibration of 4-groupoids. By Lemma 4.2, the composite $\text{Map}(\text{Adj}_{(4,1)}, \mathcal{C}) \rightarrow \text{Map}^L(\theta^{(1)}, \mathcal{C})$ is a weak equivalence. □

So it is enough to prove Lemma 4.2, which amounts to showing that the map

$$\text{Map}(\text{Adj}_{(4,1)}, \mathcal{C}) \rightarrow \text{Map}(\text{Adj}_{(4,1)}, \mathfrak{h}_3(\mathcal{C})) \times_{\text{Map}^L(\theta^{(1)}, \mathfrak{h}_3(\mathcal{C}))} \text{Map}^L(\theta^{(1)}, \mathcal{C})$$

is a weak equivalence of 4-groupoids. Since this map is a fibration, it is enough to show that it is surjective on objects and has weakly contractible fibres. This is what we will do in the rest of this section.

4.1. Surjective on objects. We show that the map

$$\text{Map}(\text{Adj}_{(4,1)}, \mathcal{C}) \rightarrow \text{Map}(\text{Adj}_{(4,1)}, \mathfrak{h}_3(\mathcal{C})) \times_{\text{Map}^L(\theta^{(1)}, \mathfrak{h}_3(\mathcal{C}))} \text{Map}^L(\theta^{(1)}, \mathcal{C})$$

is surjective on objects.

Definition 4.3. We define $\text{Adj}_{(4,1)}^-$ to be the presentation obtained from $\text{Adj}_{(4,1)}$ by removing the two snake relations

$$\begin{array}{c} \text{Diagram 1} \\ \text{Diagram 2} \end{array} = \text{Id}_{C_l} \quad \text{and} \quad \begin{array}{c} \text{Diagram 3} \\ \text{Diagram 4} \end{array} = \text{Id}_{C_r} .$$

Lemma 4.4. Let \mathcal{C} be a 4-category. The map

$$\text{Map}(\text{Adj}_{(4,1)}, \mathcal{C}) \rightarrow \text{Map}(\text{Adj}_{(4,1)}, \mathfrak{h}_3(\mathcal{C})) \times_{\text{Map}^L(\theta^{(1)}, \mathfrak{h}_3(\mathcal{C}))} \text{Map}^L(\theta^{(1)}, \mathcal{C})$$

is surjective on objects.

Proof. Consider $F : \text{Adj}_{(4,1)} \rightarrow \mathfrak{h}_3(\mathcal{C})$. From this one can construct a functor $F^- : \text{Adj}_{(4,1)}^- \rightarrow \mathcal{C}$. In order to obtain a functor $F : \text{Adj}_{(4,1)} \rightarrow \mathcal{C}$ we apply Lemma 2.9 to the invertible 3-morphisms $F(C_r)$ and $F(C_l)$, with inverses $F(C_r^{-1})$ and $F(C_l^{-1})$ and units $F(u_{C_r})$ and $F(u_{C_l})$. We obtain new counit 4-morphisms satisfying the appropriate snake equations. Letting $F(c_{C_r})$ and $F(c_{C_l})$ equal these morphisms, we get a functor $F : \text{Adj}_{(4,1)} \rightarrow \mathcal{C}$ which lifts the original F . \square

4.2. The fibres are connected. Now we prove that the fibres of the map

$$\text{Map}(\text{Adj}_{(4,1)}, \mathcal{C}) \rightarrow \text{Map}(\text{Adj}_{(4,1)}, \mathfrak{h}_3(\mathcal{C})) \times_{\text{Map}^L(\theta^{(1)}, \mathfrak{h}_3(\mathcal{C}))} \text{Map}^L(\theta^{(1)}, \mathcal{C})$$

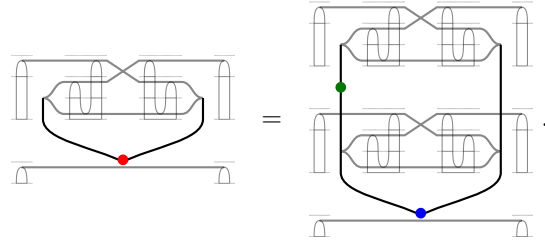
are connected. Given $F, G \in \text{Map}(\text{Adj}_{(4,1)}, \mathcal{C})$ mapping to the same element in the pullback we need to find an equivalence $\alpha : F \rightarrow G$ in $\text{Map}(\text{Adj}_{(4,1)}, \mathcal{C})$ that maps to the identity in the pullback. Equivalently, given $F, G \in \text{Map}(\text{Adj}_{(4,1)}, \mathcal{C})$ with $F = G$ on the 3-skeleton of $\text{Adj}_{(4,1)}$, we need to find an equivalence $\alpha : F \rightarrow G$ in $\text{Map}(\text{Adj}_{(4,1)}, \mathcal{C})$ which is the identity on the 2-skeleton of $\text{Adj}_{(4,1)}$.

Lemma 4.5. Given $F, G \in \text{Map}(\text{Adj}_{(4,1)}, \mathcal{C})$ with $F = G$ on the 3-skeleton of $\text{Adj}_{(4,1)}$, there exists an isomorphism $\alpha : F \rightarrow G$ in

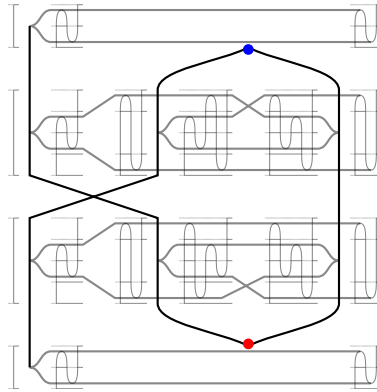
$$\text{Map}(\text{sk}_3(\text{Adj}_{(4,1)}) \cup \{\text{SW}, \text{SW}^{-1}\}, \mathcal{C})$$

which is the identity on $\text{sk}_3(\text{Adj}_{(4,1)}) \setminus \{C_l^{-1}\}$.

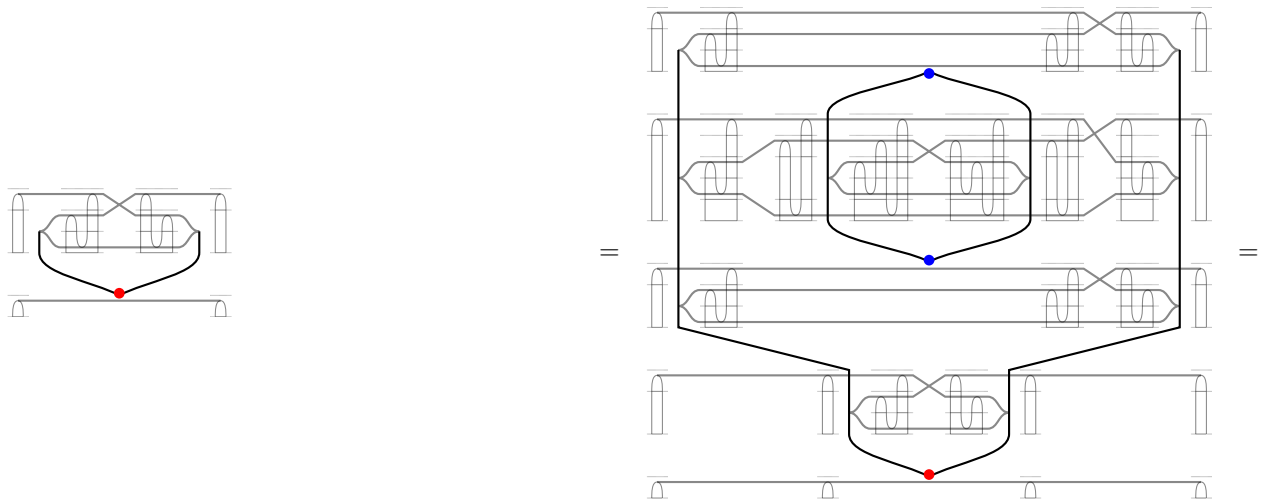
Proof. Since $F = G$ on $\{X, Y, l, r, u, c, C_l, C_l^{-1}, C_r, C_r^{-1}\}$, the relation α_{SW} takes the form

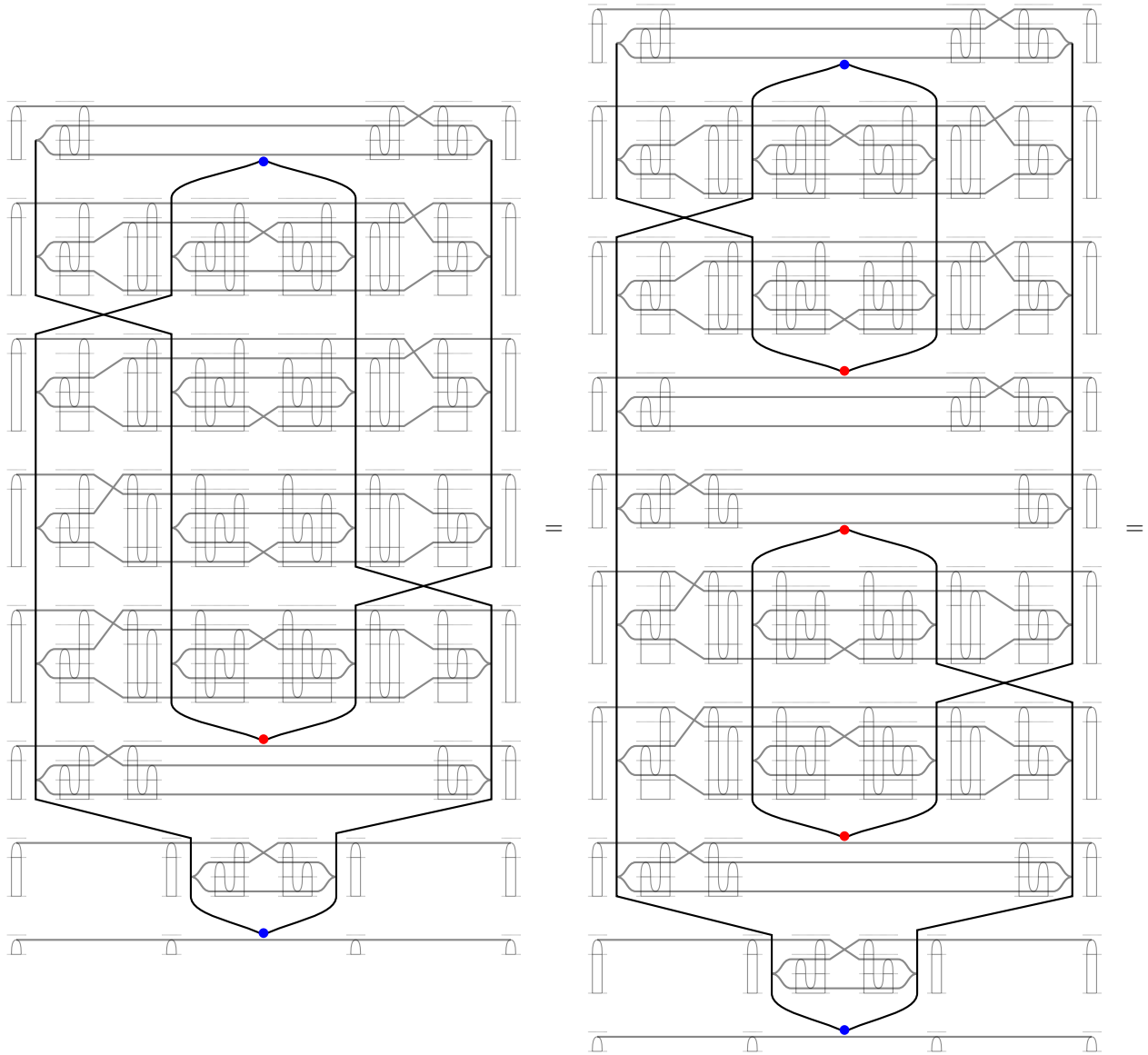


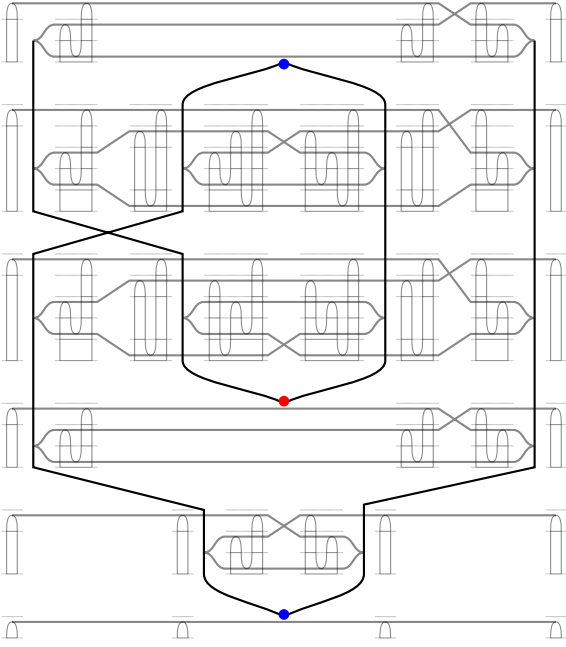
We define $\alpha_{C_i^{-1}}$ to be the 4-morphism



and we check that the relation α_{SW} holds as follows







The relation $\alpha_{\text{SW}^{-1}}$ follows from α_{SW} . □

Lemma 4.6. *Given $F, G \in \text{Map}(\text{Adj}_{(4,1)}, \mathcal{C})$ with $F = G$ on*

$$\text{sk}_3(\text{Adj}_{(4,1)}) \cup \{\text{SW}, \text{SW}^{-1}\}$$

there exists an isomorphism $\alpha : F \rightarrow G$ in $\text{Map}(\text{Adj}_{(4,1)}, \mathcal{C})$, which is the identity on $\text{sk}_3(\text{Adj}_{(4,1)}) \setminus \{C_l, C_r^{-1}\}$.

Proof. We define

$$\alpha_{C_l} := \begin{array}{c} \text{---} \\ \text{---} \\ \text{---} \\ \text{---} \end{array} \quad \text{and} \quad \alpha_{C_r^{-1}} := \begin{array}{c} \text{---} \\ \text{---} \\ \text{---} \\ \text{---} \end{array}$$

so the relations $\alpha_{u_{C_l}}, \alpha_{c_{C_l}}, \alpha_{u_{C_r}}$ and $\alpha_{c_{C_r}}$ are satisfied. The relations $\alpha_{u_{C_l}^{-1}}, \alpha_{c_{C_l}^{-1}}, \alpha_{u_{C_r}^{-1}}$ and $\alpha_{c_{C_r}^{-1}}$ follow from these ones. The relation α_{SW} holds because $\alpha_{C_l^{-1}}$ and α_{C_r} are the identity and $F(\text{SW}) = G(\text{SW})$. The relation $\alpha_{\text{SW}^{-1}}$ follows from α_{SW} . □

Lemma 4.7. *Let \mathcal{C} be a 4-category. The fibres of*

$$\text{Map}(\text{Adj}_{(4,1)}, \mathcal{C}) \rightarrow \text{Map}(\text{Adj}_{(4,1)}, \text{h}_3(\mathcal{C})) \times_{\text{Map}^L(\theta^{(1)}, \text{h}_3(\mathcal{C}))} \text{Map}^L(\theta^{(1)}, \mathcal{C})$$

are connected.

Proof. Consider $F, G \in \text{Map}(\text{Adj}_{(4,1)}, \mathcal{C})$ which agree on the 3-skeleton of $\text{Adj}_{(4,1)}$. We want to define an equivalence $\alpha : F \rightarrow G$ which restricts to the identity on the 2-skeleton. By Lemma 4.5 there is an isomorphism $\alpha : F \rightarrow G$ in

$$\text{Map}(\text{sk}_3(\text{Adj}_{(4,1)}) \cup \{\text{SW}, \text{SW}^{-1}\}, \mathcal{C})$$

which is the identity on $\text{sk}_3(\text{Adj}_{(4,1)}) \setminus \{C_l^{-1}\}$. Since the restriction map

$$\text{Map}(\text{Adj}_{(4,1)}, \mathcal{C}) \rightarrow \text{Map}(\text{sk}_3(\text{Adj}_{(4,1)}) \cup \{\text{SW}, \text{SW}^{-1}\}, \mathcal{C})$$

is a fibration, one can extend this to an equivalence $\alpha : F \rightarrow F_1$ in $\text{Map}(\text{Adj}_{(4,1)}, \mathcal{C})$. Now it is enough to find an equivalence $F_1 \rightarrow G$ which is the identity on $\text{sk}_2(\text{Adj}_{(4,1)})$. Since $F_1 = G$ on $\text{sk}_3(\text{Adj}_{(4,1)}) \cup \{\text{SW}, \text{SW}^{-1}\}$, this can be done by Lemma 4.6. \square

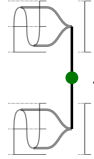
4.3. The fibres are 1-connected. Now we prove that the fibres of the map

$$\text{Map}(\text{Adj}_{(4,1)}, \mathcal{C}) \rightarrow \text{Map}(\text{Adj}_{(4,1)}, \mathfrak{h}_3(\mathcal{C})) \times_{\text{Map}^L(\theta^{(1)}, \mathfrak{h}_3(\mathcal{C}))} \text{Map}^L(\theta^{(1)}, \mathcal{C})$$

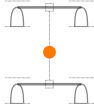
are 1-connected. Given $F \in \text{Map}(\text{Adj}_{(4,1)}, \mathcal{C})$ and an equivalence $\alpha : F \rightarrow F$ which is the identity on the 2-skeleton, we need to find a 2-equivalence $m : \alpha \rightarrow \text{Id}$ in $\text{Map}(\text{Adj}_{(3,1)}, \mathcal{C})$ which is the identity on the 1-skeleton.

Lemma 4.8. *Given a 1-morphism $\alpha : F \rightarrow F$ in $\text{Map}(\text{Adj}_{(4,1)}, \mathcal{C})$ such that α is the identity on the 2-skeleton, there exists a 2-morphism $m : \alpha \rightarrow \text{Id}_F$ in $\text{Map}(\text{sk}_2(\text{Adj}_{(4,1)}) \cup \{C_l, C_l^{-1}\}, \mathcal{C})$ which is the identity on $\text{sk}_2(\text{Adj}_{(4,1)}) \setminus \{u\}$.*

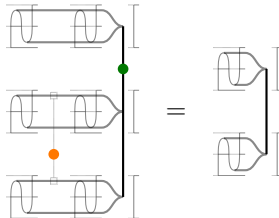
Proof. Denote $\alpha_{C_l} : F(C_l) \rightarrow F(C_l)$ by



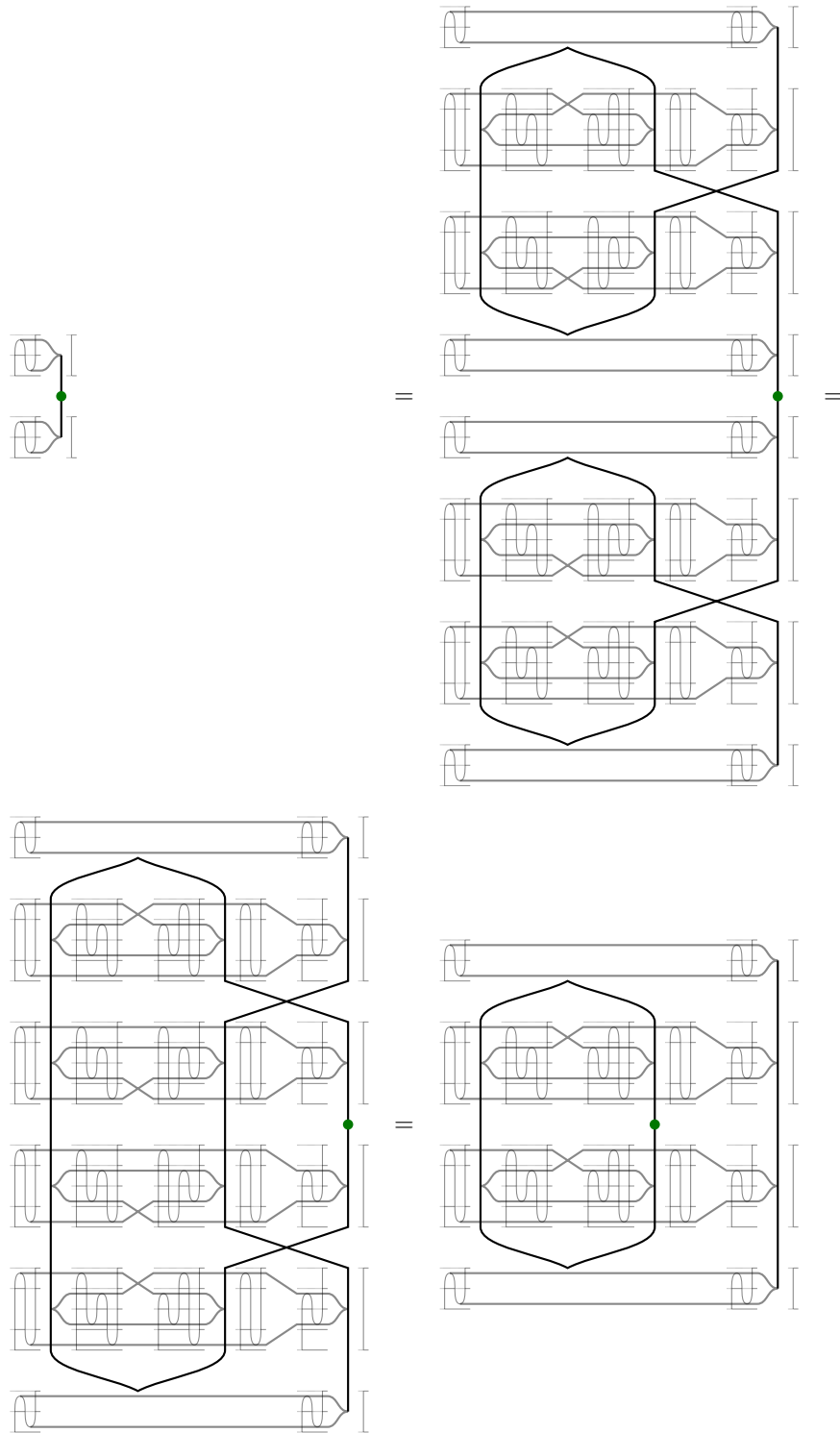
We want to define a 4-morphism $m_u : \text{Id}_u \rightarrow \text{Id}_u$, which we denote by



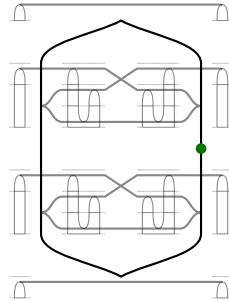
such that the relations m_{C_l} and $m_{C_l^{-1}}$ hold. The relation m_{C_l} looks like



and the relation $m_{C_l^{-1}}$ follows from m_{C_l} . We have



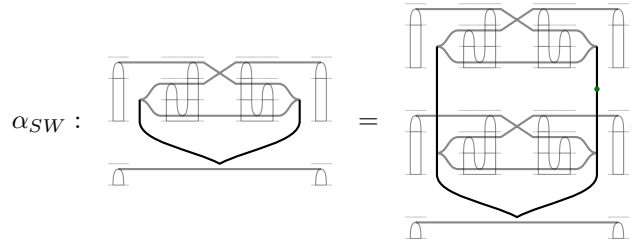
so we just define m_u to be the inverse of



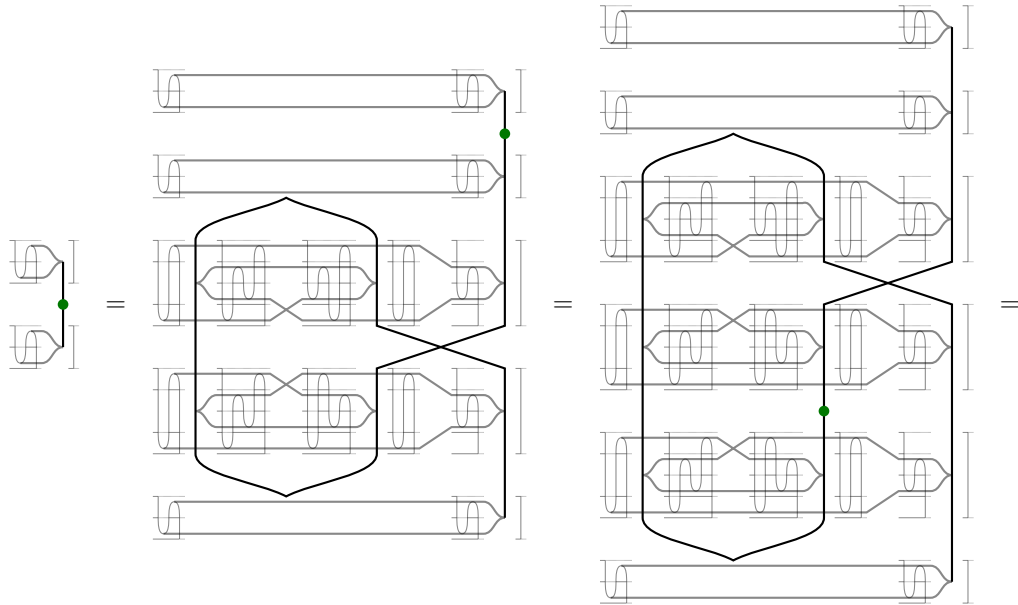
□

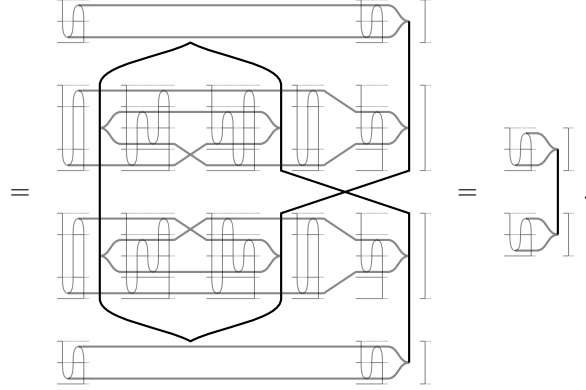
Lemma 4.9. *Given a 1-morphism $\alpha : F \rightarrow F$ in $\text{Map}(\text{Adj}_{(4,1)}, \mathcal{C})$ such that α is the identity on $\text{sk}_3(\text{Adj}_{(4,1)}) \setminus \{C_r, C_r^{-1}\}$, we have $\alpha = \text{Id}$ in $\text{Map}(\text{Adj}_{(4,1)}, \mathcal{C})$,*

Proof. Consider the relation



We use this to show $\alpha_{C_r} = \text{Id}$ as follows.





It follows that $\alpha_{C_r^{-1}}$ is the identity, since $C_r \dashv C_r^{-1}$. □

Lemma 4.10. *Let \mathcal{C} be a 4-category. The fibres of*

$$\text{Map}(\text{Adj}_{(4,1)}, \mathcal{C}) \rightarrow \text{Map}(\text{Adj}_{(4,1)}, \mathfrak{h}_3(\mathcal{C})) \times_{\text{Map}^L(\theta^{(1)}, \mathfrak{h}_3(\mathcal{C}))} \text{Map}^L(\theta^{(1)}, \mathcal{C})$$

are 1-connected.

Proof. Consider $F \in \text{Map}(\text{Adj}_{(4,1)}, \mathcal{C})$ and $\alpha : F \rightarrow F$ which is the identity on the 2-skeleton. We need to find a 2-equivalence $m : \alpha \rightarrow \text{Id}$ in $\text{Map}(\text{Adj}_{(4,1)}, \mathcal{C})$ which is the identity on the 1-skeleton. By Lemma 4.8, there exists a 2-morphism $m : \alpha \rightarrow \text{Id}_F$ in $\text{Map}(\text{sk}_2(\text{Adj}_{(4,1)}) \cup \{C_l, C_l^{-1}\}, \mathcal{C})$ which is the identity on $\text{sk}_1(\text{Adj}_{(4,1)}) \cup \{c\}$. Since

$$\text{Map}(\text{Adj}_{(4,1)}, \mathcal{C}) \rightarrow \text{Map}(\text{sk}_2(\text{Adj}_{(4,1)}) \cup \{C_l, C_l^{-1}\}, \mathcal{C})$$

is a fibration, we can extend this to a 2-morphism $m : \alpha \rightarrow \alpha_1$ in $\text{Map}(\text{Adj}_{(4,1)}, \mathcal{C})$. Now $\alpha_1 = \text{Id}_F$ on $\text{sk}_2(\text{Adj}_{(4,1)}) \cup \{C_l, C_l^{-1}\}$ so, by Lemma 4.9, we have $\alpha_1 = \text{Id}$ in $\text{Map}(\text{Adj}_{(4,1)}, \mathcal{C})$. □

4.4. The fibres are 2-connected. Now we prove that the fibres of

$$\text{Map}(\text{Adj}_{(4,1)}, \mathcal{C}) \rightarrow \text{Map}(\text{Adj}_{(4,1)}, \mathfrak{h}_3(\mathcal{C})) \times_{\text{Map}^L(\theta^{(1)}, \mathfrak{h}_3(\mathcal{C}))} \text{Map}^L(\theta^{(1)}, \mathcal{C})$$

are 2-connected. Given $F : \text{Adj}_{(4,1)} \rightarrow \mathcal{C}$ and a 2-morphism $m : \text{Id}_F \rightarrow \text{Id}_F$ in $\text{Map}(\text{Adj}_{(4,1)}, \mathcal{C})$ such that m is the identity on the 1-skeleton, we need to find a 3-morphism $\mathcal{A} : m \rightarrow \text{Id}_F^{(2)}$ in $\text{Map}(\text{Adj}_{(4,1)}, \mathcal{C})$, which is the identity on $\{X, Y, l\}$.

Lemma 4.11. *Given a 2-morphism $m : \text{Id}_F \rightarrow \text{Id}_F$ in $\text{Map}(\text{Adj}_{(4,1)}, \mathcal{C})$ such that m is the identity on the 1-skeleton, there exists a 3-morphism $\mathcal{A} : m \rightarrow \text{Id}_F^{(2)}$ in $\text{Map}(\text{sk}_1(\text{Adj}_{(4,1)}) \cup \{u\}, \mathcal{C})$ which is the identity on $\{X, Y, l\}$.*

Proof. We need to define a 4-morphism

$$\mathcal{A}_r := \begin{array}{c} \text{---} \square \text{---} \\ | \\ \bullet \\ | \\ \text{---} \square \text{---} \end{array} : \text{Id}_F^{(2)}(r) \rightarrow \text{Id}_F^{(2)}(r)$$

such that the relation

$$\mathcal{A}_u : \begin{array}{c} \begin{array}{c} \overline{\square} \\ \square \end{array} \\ \bullet \\ \begin{array}{c} \overline{\square} \\ \square \end{array} \\ \bullet \\ \begin{array}{c} \overline{\square} \\ \square \end{array} \end{array} = \text{Id}_{F(u)}^{(2)}$$

holds. Here we denote

$$m_u := \begin{array}{c} \overline{\square} \\ \bullet \\ \square \end{array} .$$

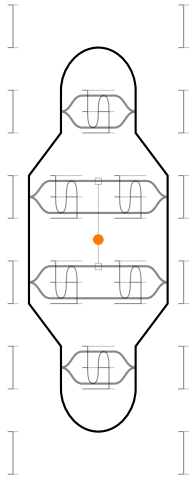
We have

$$\begin{array}{c} \overline{\square} \\ \bullet \\ \square \end{array} = \begin{array}{c} \square \\ \bullet \\ \overline{\square} \end{array}$$

$$\begin{array}{c} \overline{\square} \\ \bullet \\ \square \end{array} = \begin{array}{c} \overline{\square} \\ \bullet \\ \square \end{array} \cdot \begin{array}{c} \overline{\square} \\ \bullet \\ \square \end{array} = \begin{array}{c} \overline{\square} \\ \bullet \\ \square \end{array} .$$

The main part of the diagram shows a sequence of equalities between complex string diagrams. The first diagram on the left has seven horizontal strands. The top two strands have a square with a dot on top and a square with a dot on bottom. The bottom two strands have a square with a dot on top and a square with a dot on bottom. The middle three strands are connected by a large, complex loop structure. The second diagram is identical to the first but with a different loop structure. The third diagram is a simplified version of the second, with a single dot on the middle strand. The fourth diagram is a further simplified version, with a single dot on the middle strand and a square with a dot on top and a square with a dot on bottom on the middle strand.

so we just define \mathcal{A}_r to be the inverse of



□

Lemma 4.12. *Given a 2-morphism $m : \text{Id}_F \rightarrow \text{Id}_F$ in $\text{Map}(\text{Adj}_{(4,1)}, \mathcal{C})$ such that m is the identity on $\text{sk}_2(\text{Adj}_{(4,1)}) \setminus \{c\}$, we have $m = \text{Id}$ in $\text{Map}(\text{Adj}_{(4,1)}, \mathcal{C})$.*

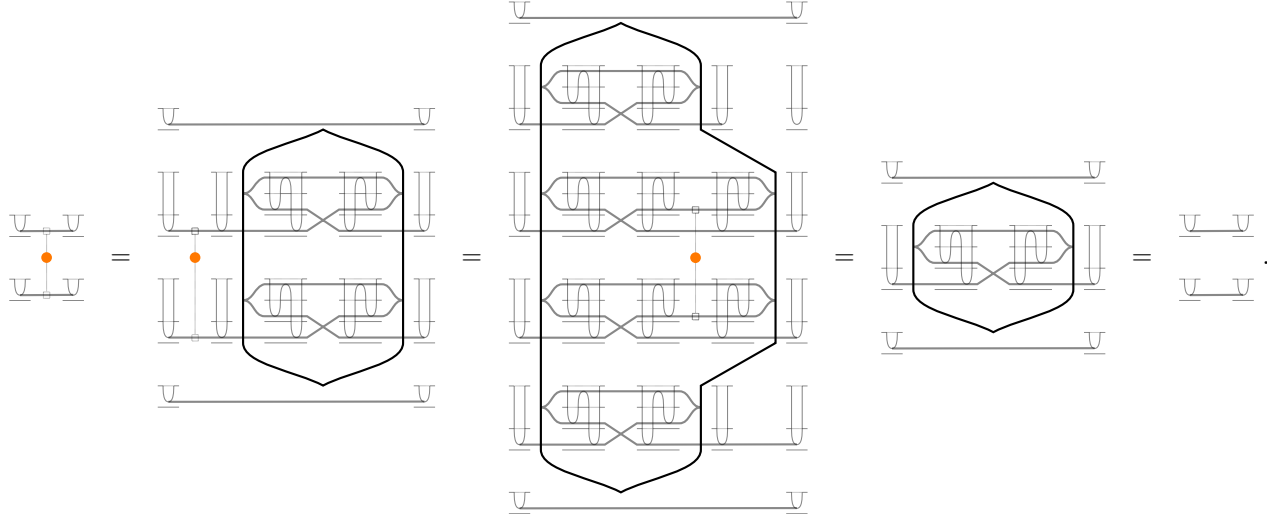
Proof. Denote

$$m_c := \frac{\overline{U} \text{---} U}{U \text{---} U}$$

and consider the relation

$$m_{C_l} : \left[\begin{array}{c} \overline{A} \text{---} A \\ \downarrow \\ \overline{A} \text{---} A \\ \downarrow \\ \overline{A} \text{---} A \\ \downarrow \\ \overline{A} \text{---} A \end{array} \right] = \left[\begin{array}{c} \overline{A} \text{---} A \\ \downarrow \\ \overline{A} \text{---} A \end{array} \right].$$

Then we have



□

Lemma 4.13. *Let \mathcal{C} be a 4-category. The fibres of*

$$\text{Map}(\text{Adj}_{(4,1)}, \mathcal{C}) \rightarrow \text{Map}(\text{Adj}_{(4,1)}, \mathfrak{h}_3(\mathcal{C})) \times_{\text{Map}^L(\theta^{(1)}, \mathfrak{h}_3(\mathcal{C}))} \text{Map}^L(\theta^{(1)}, \mathcal{C})$$

are 2-connected.

Proof. Given $F : \text{Adj}_{(4,1)} \rightarrow \mathcal{C}$ and a 2-morphism $m : \text{Id}_F \rightarrow \text{Id}_F$ in $\text{Map}(\text{Adj}_{(4,1)}, \mathcal{C})$ such that m is the identity on the 1-skeleton, we need to find a 3-morphism $\mathcal{A} : m \rightarrow \text{Id}_F^{(2)}$ in $\text{Map}(\text{Adj}_{(4,1)}, \mathcal{C})$, which is the identity on $\{X, Y, l\}$. By Lemma 4.11 there exists a 3-morphism $\mathcal{A} : m \rightarrow \text{Id}_F^{(2)}$ in $\text{Map}(\text{sk}_1(\text{Adj}_{(4,1)}) \cup \{u\}, \mathcal{C})$ which is the identity on $\{X, Y, l\}$. Since the restriction map

$$\text{Map}(\text{Adj}_{(4,1)}, \mathcal{C}) \rightarrow \text{Map}(\text{sk}_1(\text{Adj}_{(4,1)}) \cup \{u\}, \mathcal{C})$$

is a fibration, we can extend this to $\mathcal{A} : m \rightarrow m_1$ in $\text{Map}(\text{Adj}_{(4,1)}, \mathcal{C})$. Now $m_1 = \text{Id}_F^{(2)}$ on $\text{sk}_1(\text{Adj}_{(4,1)}) \cup \{u\}$, so by Lemma 4.12 we have $m = \text{Id}$ in $\text{Map}(\text{Adj}_{(4,1)}, \mathcal{C})$.

□

4.5. The fibres are 3-connected.

Lemma 4.14. *Given a 3-morphism $\mathcal{A} : \text{Id}_F^{(2)} \rightarrow \text{Id}_F^{(2)}$ in $\text{Map}(\text{Adj}_{(4,1)}, \mathcal{C})$ such that \mathcal{A} is the identity on $\{X, Y, l\}$, we have $\mathcal{A} = \text{Id}$ in $\text{Map}(\text{Adj}_{(4,1)}, \mathcal{C})$.*

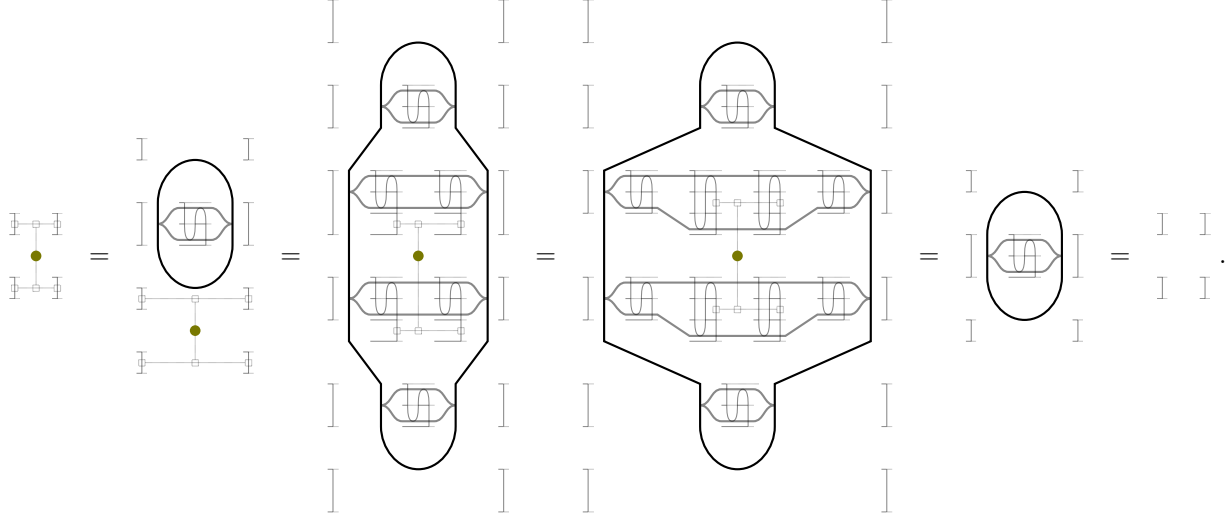
Proof. All we have to do is show that

$$\mathcal{A}_r = \begin{array}{c} \text{---} \\ | \\ \bullet \\ | \\ \text{---} \end{array} : \text{Id}_{F^{(r)}}^{(2)} \rightarrow \text{Id}_{F^{(r)}}^{(2)}$$

is the identity. Consider the relation

$$\mathcal{A}_u : \begin{array}{c} \text{---} \\ | \\ \bullet \\ | \\ \text{---} \end{array} = \begin{array}{c} \text{---} \\ | \\ \bullet \\ | \\ \text{---} \end{array} .$$

Using this, we have



□

Lemma 4.15. *Let \mathcal{C} be a 4-category. The fibres of*

$$\mathrm{Map}(\mathrm{Adj}_{(4,1)}, \mathcal{C}) \rightarrow \mathrm{Map}(\mathrm{Adj}_{(4,1)}, \mathfrak{h}_3(\mathcal{C})) \times_{\mathrm{Map}^L(\theta^{(1)}, \mathfrak{h}_3(\mathcal{C}))} \mathrm{Map}^L(\theta^{(1)}, \mathcal{C})$$

are 3-connected.

Proof. This follows from the previous Lemma.

□

Proposition 4.16. *The fibres of*

$$\mathrm{Map}(\mathrm{Adj}_{(4,1)}, \mathcal{C}) \rightarrow \mathrm{Map}(\mathrm{Adj}_{(4,1)}, \mathfrak{h}_3(\mathcal{C})) \times_{\mathrm{Map}^L(\theta^{(1)}, \mathfrak{h}_3(\mathcal{C}))} \mathrm{Map}^L(\theta^{(1)}, \mathcal{C})$$

are contractible.

Proof. The fibres are 3-groupoids and we have shown they are 3-connected.

□

REFERENCES

- [AL20] Dimitri Ara and Maxime Lucas. The folk model category structure on strict ω -categories is monoidal. *Theory and Applications of Categories*, 35(21):745–808, 2020.
- [Ara17] Manuel Araújo. *Coherence for 3-dualizable objects*. PhD thesis, University of Oxford, 2017.
- [Ara20] Manuel Araújo. String diagrams for 4-categories and fibrations of mapping 4-groupoids. arXiv:2012.03797, 2020.
- [Ara22a] Manuel Araújo. Coherence for adjunctions in a 3-category via string diagrams. *Compositionality*, 4, August 2022.
- [Ara22b] Manuel Araújo. Computads and string diagrams for n -sesquicategories. arXiv:2210.07704, 2022.
- [Ara22c] Manuel Araújo. Simple string diagrams and n -sesquicategories. arXiv:2202.09293, 2022.
- [Bar09] Bruce Bartlett. *On unitary 2-representations of finite groups and topological quantum field theory*. PhD thesis, University of Sheffield, 2009.

- [BKV16] Krzysztof Bar, Aleks Kissinger, and Jamie Vicary. Globular: An Online Proof Assistant for Higher-Dimensional Rewriting. In *1st International Conference on Formal Structures for Computation and Deduction (FSCD 2016)*, volume 52 of *Leibniz International Proceedings in Informatics (LIPIcs)*, pages 34:1–34:11, 2016.
- [BV17] Krzysztof Bar and Jamie Vicary. Data structures for quasistrict higher categories. In *Proceedings of 32nd Annual ACM/IEEE Symposium on Logic in Computer Science (LICS 2017)*. IEEE Computer Society, 2017.
- [Cra95] Sjoerd E. Crans. Pasting schemes for the monoidal biclosed structure on ω -cat, 1995.
- [DSPS21] Christopher L. Douglas, Christopher Schommer-Pries, and Noah Snyder. *Dualizable tensor categories*, volume 268 of *Memoirs*. American Mathematical Society, 2021.
- [Gur12] Nick Gurski. Biequivalences in tricategories. *Theory and Applications of Categories*, 26(14):349–384, 2012.
- [JFS17] Theo Johnson-Freyd and Claudia Scheimbauer. (op)lax natural transformations, twisted quantum field theories, and "even higher" morita categories. *Advances in Mathematics*, 307:147 – 223, 2017.
- [Lei04] Tom Leinster. *Higher Operads, Higher Categories*. London Mathematical Society Lecture Note Series. Cambridge University Press, 2004.
- [LMW10] Yves Lafont, François M ayer, and Krzysztof Worytkiewicz. A folk model structure on omega-cat. *Advances in Mathematics*, 224(3):1183–1231, 2010.
- [Lur08] Jacob Lurie. On the classification of topological field theories. *Current Developments in Mathematics*, 2008:129 – 280, 2008.
- [Pst22] Piotr Pstragowski. On dualizable objects in monoidal bicategories. *Theory and Applications of Categories*, 38(9):257–310, 2022.
- [RV16] Emily Riehl and Dominic Verity. Homotopy coherent adjunctions and the formal theory of monads. *Advances in Mathematics*, 286:802–888, 2016.
- [SP09] Christopher Schommer-Pries. *The Classification of Two-Dimensional Extended Topological Field Theories*. PhD thesis, University of California, Berkeley, 2009.
- [Ver92] Dominic Verity. *Enriched categories, internal categories and change of base*. PhD thesis, University of Cambridge, 1992.