

# Asset Pricing and Deep Learning

Chen Zhang

SenseTime Research, Shanghai, China  
demi6d@gmail.com

September 27, 2022

## Abstract

Traditional machine learning methods have been widely studied in financial innovation. My study focuses on the application of deep learning methods on asset pricing.

I investigate various deep learning methods for asset pricing, especially for risk premia measurement. All models take the same set of predictive signals (firm characteristics, systematic risks and macroeconomics). I demonstrate high performance of all kinds of state-of-the-art (SOTA) deep learning methods, and figure out that RNNs with memory mechanism and attention have the best performance in terms of predictivity. Furthermore, I demonstrate large economic gains to investors using deep learning forecasts.

The results of my comparative experiments highlight the importance of domain knowledge and financial theory when designing deep learning models. I also show return prediction tasks bring new challenges to deep learning. The time varying distribution causes distribution shift problem, which is essential for financial time series prediction.

I demonstrate that deep learning methods can improve asset risk premium measurement. Due to the booming deep learning studies, they can constantly promote the study of underlying financial mechanisms behind asset pricing. I also propose a promising research method that learning from data and figuring out the underlying economic mechanisms through explainable artificial intelligence (AI) methods. My findings not only justify the value of deep learning in blooming fintech development, but also highlight their prospects and advantages over traditional machine learning methods.

**Key words:** Machine Learning, Deep Learning, Deep Neural Network, Big Data, Return Prediction, MLP, RNN, CNN, Transformer, Fintech

## 1 Introduction

In this paper, I mainly build on the work of [Gu, Kelly, and Xiu(2020)], and perform a comparative analysis of various SOTA deep learning methods for asset pricing. I focus on asset risk premia measurement problems, which are essential in asset pricing.

My primary contributions are extending the study of traditional machine learning methods to the all kinds of SOTA deep learning methods on financial problems. And with the empirical comparative analysis, I gain several new findings in the interdisciplinary study of deep learning methods and asset pricing problems.

### 1.1 What is Deep Learning

Formally, deep learning is a subfield of machine learning, so it inherits all the theories of machine learning. Due to its high performance, wide range of applications and uniformed architectures (neural network), deep learning is commonly studied as a separate field from traditional machine learning methods such as logistic regression, SVM, tree based models, etc. For clarity, I will use machine learning referring to traditional machine learning in this paper.

Connectionism known as connectionist networks or artificial neural networks (NNs) is an approach to the study of human cognition that utilizes mathematical models. Deep learning is exactly the combination of machine learning and connectionism. In recent years, deep learning methods as mainstream in machine learning studies is blooming and gain large success in AI literature.

Machine learning is essentially learning a prediction function from input data to output, and deep learning is essentially learning various data representation throughout such process. Data representation learning is also regarded as automatic feature engineering which usually is manual in machine learning. Figure 1 show the contrast between machine learning and deep learning.

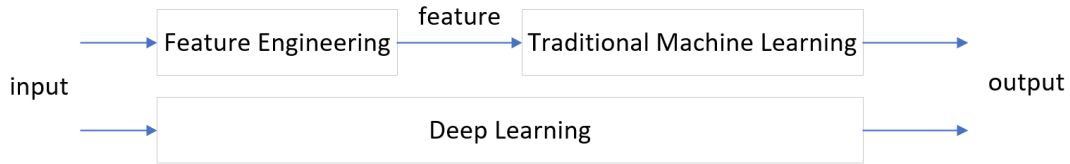


Figure 1: Deep Learning  
 Deep Learning can automate the feature engineering process.

Deep learning is good at finding high dimensional, nonlinear and deep relationships. Domain specified deep learning models such as Convolutional Neural Networks (CNNs) and Recurrent Neural Networks (RNNs) are good at processing non-structure data.

## 1.2 Why Apply Deep Learning to Asset Pricing

Empirical asset pricing is essentially a dynamic prediction problem, and the input (predictive signals) and output (asset risk premium) vary over time. Since there is a large amount of factors related to stock returns, the dimension of inputs (predictors) is usually high. The relationship between input information and output returns is also probably nonlinear.

Deep learning has its special advantages over machine learning in asset pricing problems. Machine learning is hard to take advantage of the economic theory and introduce it into the model as prior knowledge. However, deep learning can design specific NNs architecture suitable to different scenarios. Therefore, it's more flexible and with more spaces for improvement. For example, sequence models are proper kind of architectures for time series data and time varying prediction.

Deep learning also called deep neural network, because they are loosely inspired by biological neuroscience. One essential reason deep learning gain great success in the AI industry is that it takes advantage of the greatest art (brain mechanisms) of nature.

What's more, end to end type deep learning models can avoid tedious work of feature engineering in machine learning.

## 1.3 What Specific Deep Learning Methods Do I Study

I select a set of typical deep learning methods which gain tremendous success in all fields of AI applications. They are representative for all kinds of SOTA deep learning models.

This includes deep feedforward NNs such as DNNs, Residual DNNs (i.e., DNNs with skip connection), CNNs and residual CNNs. This also includes sequential models such as RNNs, Long Short-Term Memory (LSTM), Gated Recurrent Unit (GRU) and RNNs with attention mechanisms. At last, I introduce the Transformer, whose NNs architecture is entirely based on attention mechanism, which has achieved better performance than all kinds of RNNs on various Natural Language Process (NLP) tasks.

## 1.4 Main Empirical Findings

Refer to the work of [Gu, Kelly, and Xiu(2020)], I perform a large scale empirical analysis, investigating 30,000 individual stocks over 40 years from 1976 to 2016. Furthermore, I conduct my analysis with 2 kinds of time span samples, long time span (40 years) and short time span (5 years). My predictor set include 81 characteristics for each stock, 6 macroeconomic proxies and 5 factors by [Fama and French(2015)] as proxies of systematic risks.

I gain several new findings through my empirical analysis.

All SOTA deep learning methods have high performance in stock return prediction, and far outperform the traditional linear prediction model. It demonstrates the great promise of deep learning method for asset pricing.

RNNs with memory mechanism and Transformer have the best performance, and this means history data has predictive power for asset return. RNNs are good at merge past and present information together to make prediction. The memory mechanism attention and cell unit in RNNs both works well, and long term memory improves stock return prediction.

CNNs have relative worse performance than other NN models, and transformer is not completely dominating all other RNNs. It shows the importance of domain knowledge and theory guided model design. There is no free lunch, and specific model design is essential for problems in different scenarios.

Skip connections with deep layers have only a little improvement, and middle or shallow networks still work well. It shows the fundamental associations between market data and asset prices is not complex comparing with other deep learning applications, and studies of economic mechanism behind asset pricing is promising.

Short time span samples have better performance. This demonstrates the distribution of stock data varies over time, and the closer the information, the more predictive power. Therefore, distribution shift problem arises in stock returns prediction.

## 1.5 What Deep Learning Cannot Do

Deep learning is good at predicting excess return condition on market information.

However, since the complete theory of deep learning models is still ongoing, the shortage of deep learning is just like most machine learning methods that it's hard to fully explain the mechanisms behind the model.

Deep learning models are designed only with reference to, but not entirely based on, economic mechanisms. While in this respect, deep learning is still better than machine learning because I can take advantage of economic mechanisms when designing the NNs' architecture. I can take the prior knowledge of financial theory as induction bias of the model for corresponding financial problems. Also, some studies aim at mitigating this shortage in deep learning literature such as explainable AI.

## 1.6 Literature

My work extends the literature on empirical asset pricing in several aspects.

First, I extend the machine learning based empirical asset pricing, such as stock pricing and bond pricing studied by [Gu, Kelly, and Xiu(2020)], [Leippold, Wang, and Zhou(2021)] and [Bianchi, Büchner, and Tamoni(2021)]. While deep learning methods talked in this paper are not limited to specific kind of asset return prediction.

Second, I extend machine learning based cross-section stock returns study such as factors dimension reduction by [Gu, Kelly, and Xiu(2021)].

Third, I extend the time series return prediction, what is surveyed by [Kojien and Van Nieuwerburgh(2011)] and [Rapach and Zhou(2013)].

There are many deep learning methods have appeared in the asset pricing literature. Some papers are about derivatives pricing via NNs such as [Hutchinson, Lo, and Poggio(1994)] and [Yao, Li, and Tan(2000)]. [Sirignano, Sadhwani, and Giesecke(2016)] use deep learning to measure mortgage risks, and [Heaton, Polson, and Witte(2016)] use deep learning for portfolio management.

My paper focus on studying various SOTA deep learning methods, and comparing their results on stock return prediction tasks. I conduct a deep fundamental analysis on the pattern and relationship lie behind the market data and stock returns.

## 2 Methodology

In this section, I give a brief description of all the deep learning methods in my analyzing list. Details of most basic deep learning mechanisms are well illustrated by [Goodfellow, Bengio, and Courville(2016)].

I use the same objective function for all models which is Mean-Square Error (MSE). I use learning algorithms substantially based on gradient decent, which is the most common optimization algorithm for deep learning. In particular, I choose Adam, the enhanced gradient decent learning algorithm, as my basic optimizer, and make some additional improvements such as batch normalization and layer normalization on it. I mostly use Dropout as the regularization method in all of my deep learning models.

I use the same asset pricing model as described by [Gu, Kelly, and Xiu(2020)], an additive prediction error model for excess return.

$$r_{i,t+1} = y_{i,t+1} = E_t(y_{i,t+1}) + \epsilon_{i,t+1}, \quad (1)$$

where

$$E_t(y_{i,t+1}) = f(x_{i,t}; \theta^*) \quad (2)$$

### 2.1 Objective Function

For all of my deep learning models, I estimate the parameters through Max a Posterior Estimation (MAPE).

I want to maximize the posterior probability of  $\theta$  given the samples of  $X$  and  $Y$ .

$$\mathbf{y} = f(x; \theta) + \epsilon \quad (3)$$

$$E(\mathbf{y}) = f(x; \theta) \quad (4)$$

my 2 assumptions are that the noise  $\epsilon$  follows a normal distribution, and the prior distribution of parameters  $\theta$  is uniform.

$$\begin{aligned} \theta^* &= \arg \max_{\theta} P(\theta | \mathbf{Y}, X) \\ &= \arg \max_{\theta} \frac{P(\theta)P(\mathbf{Y}|\theta, X)}{P(\mathbf{Y}|X)} \\ &= \arg \max_{\theta} P(\mathbf{Y}|\theta, X) \end{aligned} \quad (5)$$

Then MAPE is the same as Maximum Likelihood Estimation (MLE) of  $\theta$  given samples  $(X, Y)$ . Have the Gaussian noise assumption, and take the natural log of equation (5), MLE is equal to minimizing MSE. Therefore, my objective function for the model is to minimize the MSE, so the loss function  $\mathcal{L}(\theta)$  of my deep learning models is defined as MSE.

$$\begin{aligned}\mathcal{L}(\theta) &= \|Y - f(X; \theta)\|^2 \\ &= \frac{1}{N \cdot T} \sum_{i=1}^N \sum_{t=1}^T (r_{i,t+1} - f(x_{i,t}; \theta))^2\end{aligned}\tag{6}$$

## 2.2 Learning Algorithm

Adam introduced by [Kingma and Ba(2014)] is an algorithm for first-order gradient-based optimization. Adam is an algorithm putting Momentum and RMSprop mechanisms together.

Batch Normalization and Layer Normalization are 2 kinds of data normalization method proposed respectively by [Ioffe and Szegedy(2015)] and [Ba, Kiros, and Hinton(2016)]. The idea of these mechanisms is normalizing the input and hidden unit data, so that different data are at the same scale. They can flatten the gradients during the gradient decent process.

Regularization is used to improve the generalization ability of deep learning models. It makes the model effectively generalize to out-of-sample data set instead of overfitting the training samples.

In each training batch, overfitting can be significantly reduced by ignoring part of the feature detectors (leaving part of the hidden layer nodes with values of 0). This mechanism works in 2 aspects. First, it reduces the network connections and parameters, thus simplify the neural network. Second, it implicitly assembles various subnetworks to get the final model of more generality.

I divide the data set across the time by (80%, 10%, 10%), respectively as train set, validation set and test set. Train set is used to train the models, and estimate the parameters. Validation set is used to tune all the hyperparameters of the models. It can prevent overfitting and ensure the best performance for out-of-sample data. Test set is only used to test the final out-of-sample performance of the models.

## 2.3 Simple Linear

I take the traditional regression model, linear regression, as my baseline.

$$f(x_{i,t}; \theta) = x'_{i,t} \theta\tag{7}$$

I also use the most common estimation method, ordinary least squares (OLS), to estimate the parameters.

$$\hat{\theta}_{OLS} = (X'X)^{-1}X'Y\tag{8}$$

## 2.4 Deep Feedforward Networks

The idea of Deep Neural Networks (DNNs) is first introduced by [Ivakhnenko(1971)]. The core idea of DNNs is representation learning. Each unit of one layer can be seen as a combination of previous layer's units, so it's essentially a modularizing process.

From mathematic perspective, DNNs is a sequence of transformations of vectors. Each transformation (layer) is composed of affine transformation followed by a nonlinear function (i.e., activation function). Deep feedforward networks are often called Multilayer Perceptron (MLP). MLP with one hidden layer can approximate any function  $f(x)$ . MLP is the standard DNNs, and I will call it DNNs for simplicity in this paper. The special structure of DNNs also contains an implicit L2-norm Regularization effect. Most DNN models are called feedforward, because the information flow from input to output in one-way direction without feedback. Models with feedback connections are called RNNs.

DNNs are essentially approximating a function from  $x$  to  $y$ :

$$y = f^*(x)\tag{9}$$

$$y_{i,t} = f^*(x_{i,t})\tag{10}$$

$$y_{i,t} = f(x_{i,t}; \theta^*)\tag{11}$$

Every layer in DNNs consists of two components, affine transformation and activation function.

$$\mathbf{z} = \mathbf{W}'\mathbf{h} + \mathbf{b}\tag{12}$$

The activation function used in my model is ReLU proposed by [Glorot, Bordes, and Bengio(2011)].

$$ReLU(\mathbf{z}) = \max\{\mathbf{0}, \mathbf{z}\}\tag{13}$$

The total data transformation in each DNN layer is as follows:

$$\mathbf{h}^{<i+1>} = ReLU(\mathbf{W}^{<i+1>}'\mathbf{h}^{<i>} + \mathbf{b}^{<i+1>})\tag{14}$$

### 2.4.1 Residual DNNs

Instead of approximating a function, each layer in Residual DNNs approximates the residual between input and output of this layer. When I introduce the deep residual neural network framework, I explicitly let the layers fit a residual function.

$$f(x) := h(x) - x \tag{15}$$

One implementation of residual networks is standard DNNs with a skip connection between each layer. Skip connection connects layer  $i$  to layer  $i + 1$  or higher layer is shown in Figure 2.

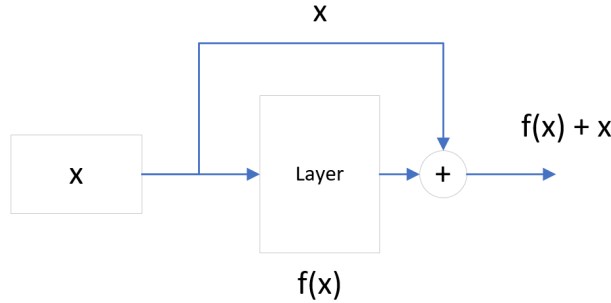


Figure 2: Residual DNNs  
Layer of Residual DNNs approximates the residual between input and output.

Skip connections make it easy for the gradient to flow back during the backward propagation. Skip connections between layers reduce the length of path from lower layer to the output, and thus mitigate the vanishing gradient problem.

## 2.5 Convolutional Networks

CNNs have been demonstrated well performance in image recognition by [Krizhevsky, Sutskever, and Hinton(2012)]. In deep learning literature, I regard the cross-correlation function as convolution, while formally cross-correlation stands for convolution without flip the kernel.

$$S(i, j) = (I * K)(i, j) = \sum_m \sum_n I(i + m, j + n)K(m, n) \tag{16}$$

Figure 3 shows the convolution operation.

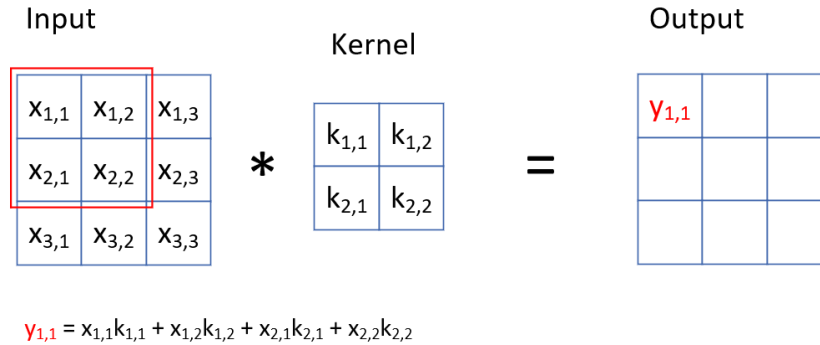


Figure 3: Convolution  
The convolution layer performs a convolution operation on inputs with the kernels.

The core idea of CNNs is that kernels in convolution layer stand for the receptive field. Such architecture design has two advantages. First is sparse connectivity, that neurons only have connections within receptive field. Second is parameter sharing, each kernel has the same weights moving across all the inputs of the layer.

Another special layer type in CNNs is Pooling. It essentially is a summary statistic of each layer. There are different kinds of pooling layers, such as max pooling and avg pooling. Max (or avg) pooling takes the maximum (or average) value in each receptive field.

$$S(i, j) = (I * K)(i, j) = \max_{m,n} \{I(i, j), \dots, I(i + m, j + n)\} \tag{17}$$

Figure 4 shows the pooling operation.

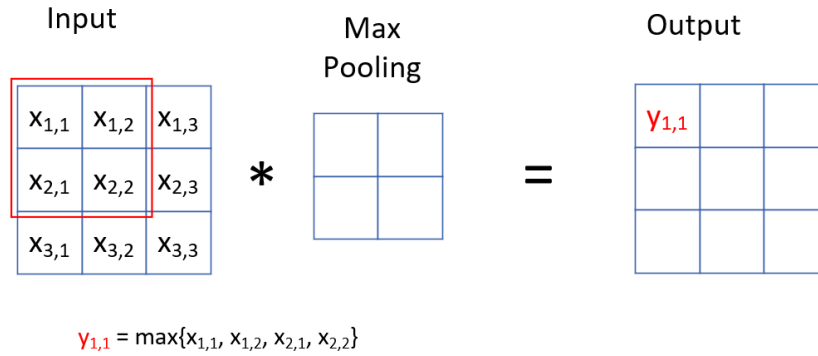


Figure 4: Pooling  
Max pooling layer take the maximum value of inputs within the kernel range.

One complete layer in CNNs consists sequentially of convolution, activation and pooling layer, as shown in Figure 5.

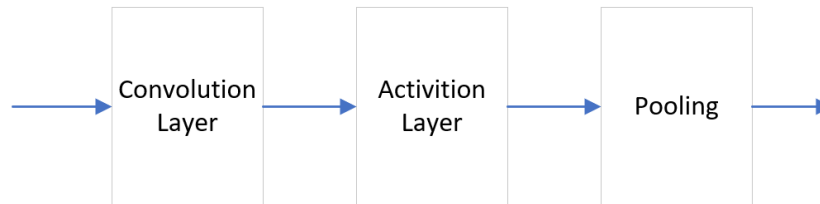


Figure 5: CNNs  
CNNs are usually composed with 3 kinds of layer: convolution, activation and pooling layer.

Residual CNNs have the same idea as residual DNNs, that map the residual between layers by adding a skip connection. One well-known realization is the RESNET presented by [He et al.(2016)He, Zhang, Ren, and Sun].

## 2.6 Sequence Modeling

### 2.6.1 Recurrent Neural Networks

RNNs introduced by [Rumelhart, Hinton, and Williams(1985)] are a family of neural networks designed for sequential data. RNNs have a hidden state that keep the state information of each time step, which are suitable for time series data prediction. RNNs offer a great way to deal with variable length of input sequence as shown in Figure 6.

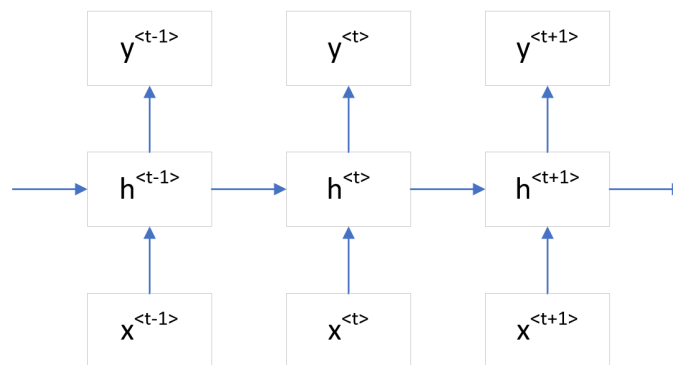


Figure 6: RNNs  
RNNs take the input sequence to update the hidden state, which is used to generate output in each step.

RNNs share parameters across all time steps, that the input at any step combines with the hidden state through the same mechanism (i.e., transition function  $f$ ). Such structure is illustrated in Figure 7.

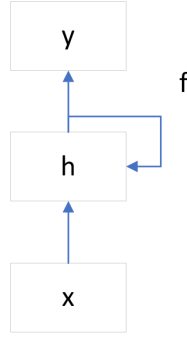


Figure 7: Fold Structure of RNNs

Fold graph of RNNs show the essence of the model that each step in RNNs share the same structure and parameters.

$$\mathbf{h}^{<t>} = f(\mathbf{h}^{<t-1>}, \mathbf{x}^{<t>}; \boldsymbol{\theta}) \quad (18)$$

The transition function  $f$  consists of two components: affine transformation and activation function  $g_1$ .

$$\mathbf{h}^{<t>} = g_1(W\mathbf{h}^{<t-1>} + U\mathbf{x}^{<t>} + b_1) \quad (19)$$

The output  $y$  is calculated from hidden state  $h$ .

$$y^{<t>} = g_2(V\mathbf{h}^{<t>} + b_2) \quad (20)$$

Theoretically, the hidden state will keep most of the predictive information for the output.

### 2.6.2 LSTM

Since RNNs have the same transition function along whole sequence, the most common problems of RNNs are vanishing and exploding gradient.

Exploding gradient problem can be solved by gradient clipping, which is proposed by [Pascanu, Mikolov, and Bengio(2013)]. It clips the norm  $\|g\|$  of the gradient  $g$  before parameters are updated.

$$\text{if } \|g\| > \text{threshold}, \quad \mathbf{g} \leftarrow \frac{\mathbf{g} * \text{threshold}}{\|g\|} \quad (21)$$

Vanishing gradient problem can be solved by adding extra memory in RNNs. RNNs with such mechanisms are called gated RNNs, including LSTM and GRU introduced respectively by [Hochreiter and Schmidhuber(1997)] and [Cho et al.(2014)Cho, Van Merriënboer, Gulcehre, Bahdanau, Bougares, Schwenk, and Bengio]. Besides the hidden state, a cell unit is added into the network to keep the memory of history information along the sequence. Forget gate and update gate are used to control what information of the inputs is kept in memory. The LSTM architecture is shown in Figure 8.

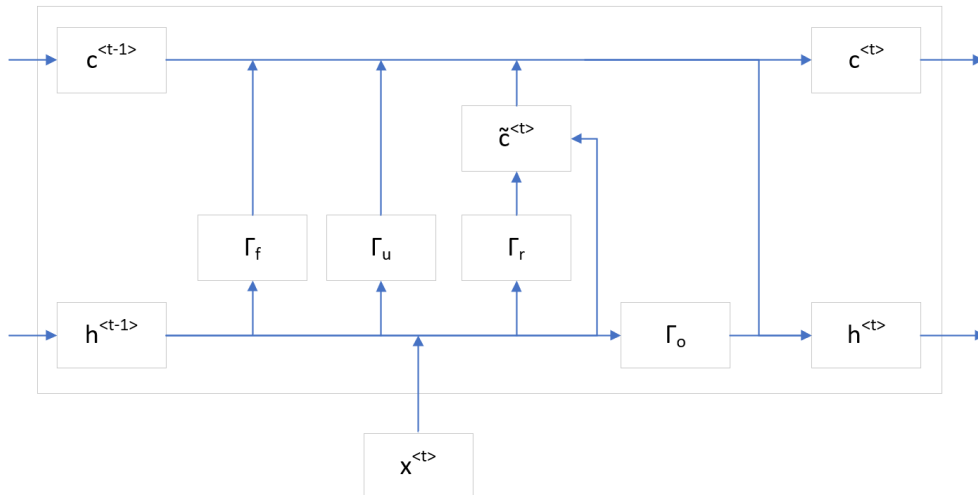


Figure 8: LSTM

LSTM is an enhanced version of RNN with an additional cell unit to keep long term memory.

Therefore, LSTM networks learn long-term dependencies more easily than vanilla RNNs. The gates are calculated from current input and pervious hidden sate.

$$\Gamma = \sigma(Wx^{<t>} + Uh^{<t-1>} + b) \quad (22)$$

They are used to control what to forget and what to update in the cell unit.

$$\tilde{c}^{<t>} = \tanh(W_c [\Gamma_r \star a^{<t-1>}, x^{<t>}] + b_c) \quad (23)$$

$$c^{<t>} = \Gamma_u \star \tilde{c}^{<t>} + \Gamma_f \star c^{<t-1>} \quad (24)$$

$$h^{<t>} = \Gamma_o \star c^{<t>} \quad (25)$$

### 2.6.3 GRU

GRU is essentially a simplified version of LSTM, which only use one gate to control both the forget and update operation. The architecture is shown in Figure 9.

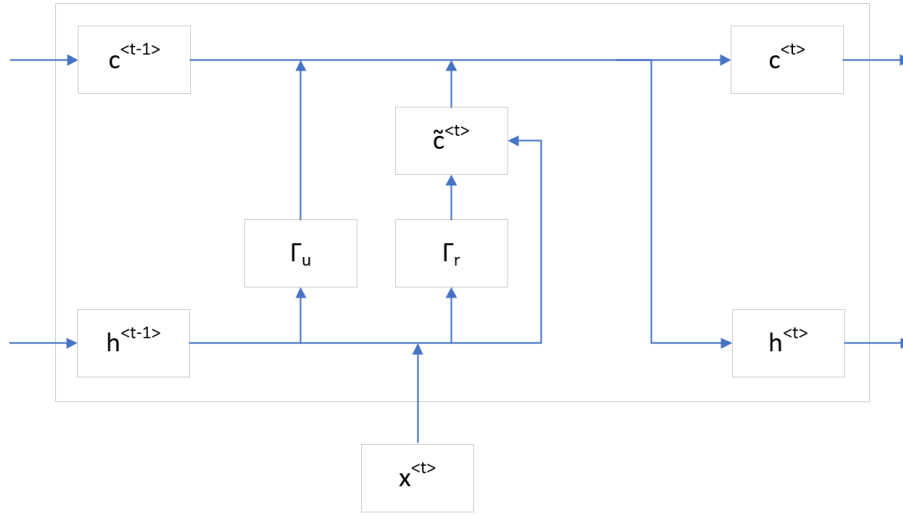


Figure 9: GRU

GRU is a simplified version of LSTM which combine the cell unit and hidden state together.

$$\tilde{c}^{<t>} = \tanh(W_c [\Gamma_r \star a^{<t-1>}, x^{<t>}] + b_c) \quad (26)$$

$$c^{<t>} = \Gamma_u \star \tilde{c}^{<t>} + (1 - \Gamma_u) \star c^{<t-1>} \quad (27)$$

GRU also merges the information of cell unit and hidden state into one state variable.

$$h^{<t>} = c^{<t>} \quad (28)$$

### 2.6.4 RNNs with Attention

Attention mechanism introduced by [Bahdanau, Cho, and Bengio(2014)] is another method to solve vanishing gradient. The core idea of attention is inspired by attention mechanism in neuroscience.

From mathematic perspective, attention mechanism is essentially a weighted average of all pervious information. A context vector  $c$  is constructed by taking a weighted average of encoder's outputs  $y^{<t>}$  as shown in Figure 10.





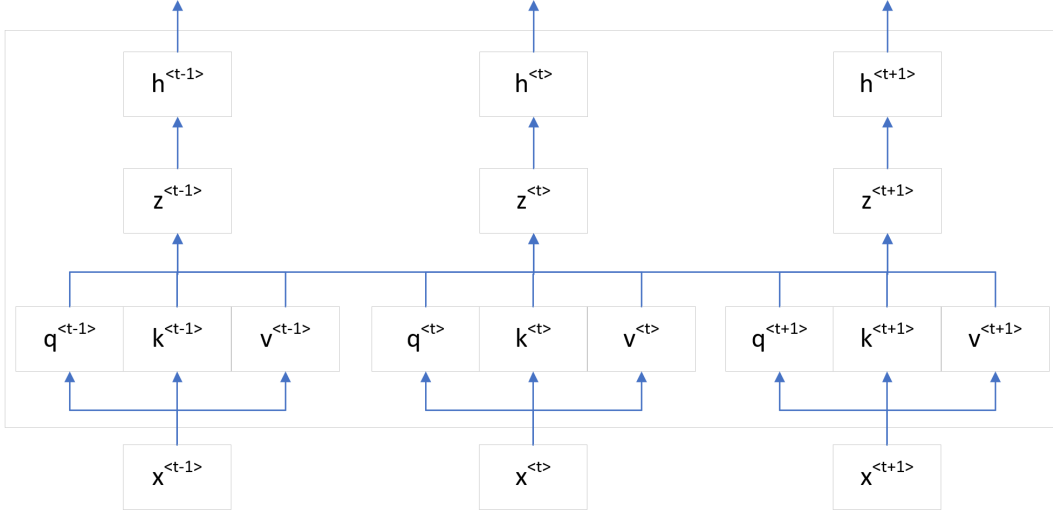


Figure 11: Transformer

Transformer is based on self-attention, it uses multiple layers and multi-head attentions to explore the deep associations in sequential data.

## 2.7 Performance Evaluation

I use out-of-sample  $R^2$  to evaluate the performance of all my models. I use the same  $R^2$  metric as [Gu, Kelly, and Xiu(2020)] proposed and justified, whose denominator is the sum of squared returns without demeaning.

$$R_{\text{oos}}^2 = 1 - \frac{\sum_{(i,t) \in \mathcal{T}} (r_{i,t+1} - \hat{r}_{i,t+1})^2}{\sum_{(i,t) \in \mathcal{T}} r_{i,t+1}^2} \quad (39)$$

$\mathcal{T}$  represents for test data set, which is only used for the final performance evaluation. Therefore, I focus on the out-of-sample performance during my whole analysis on all deep learning methods.

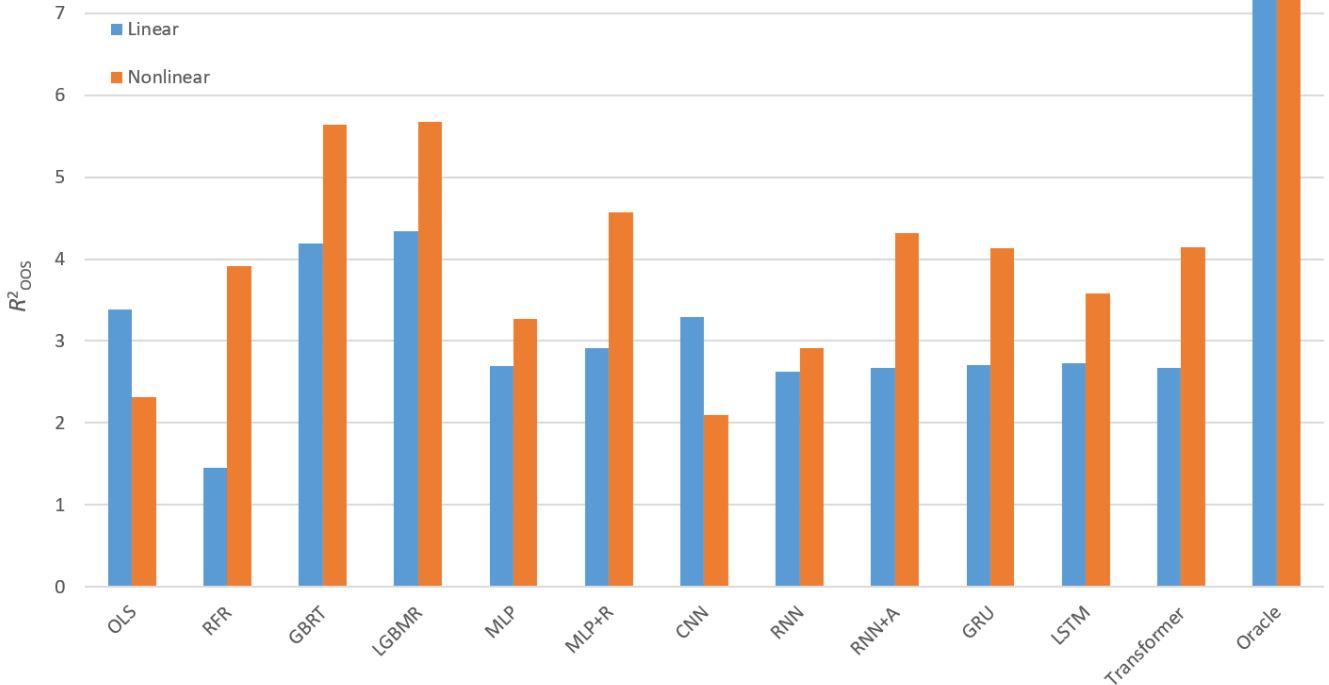
## 3 Monte Carlo Simulations

I use a Monte Carlo simulation algorithm with similar parameters calibrated by [Gu, Kelly, and Xiu(2020)], For each Monte Carlo sample, I divide the whole time series into 3 consecutive subsamples of 80% for training, 10% for validation and 10% for testing, respectively.

I estimate both linear and nonlinear model in the training sample, using Random Forest (RF), Gradient Boosted Regression Trees (GBRT), LightGBM (LGBM), Multilayer Perceptron (MLP), Multilayer Perceptron (MLP) + Residual Convolutional Neural Networks (CNNs), Recurrent Neural Network (RNN), Recurrent Neural Network (RNN) + Attention, Gated Recurrent Unit (GRU) Long Short-Term Memory (LSTM) and Transformer. I choose tuning parameters for each method in the validation sample, and calculate the prediction errors in the testing sample. For benchmark, I also compared OLS and oracle model.

Table 1: Comparison of Predictive  $R^2$ s for Machine Learning Algorithms in Simulations

Model	Linear		Nonlinear	
	IS	OOS	IS	OOS
OLS	4.23	3.38	3.32	2.32
RFR	7.37	1.45	9.06	3.91
GBRT	6.69	4.19	8.52	5.64
LGBMR	6.02	4.34	8.53	5.68
MLP	3.61	2.69	4.92	3.27
MLP+R	3.88	2.91	5.51	4.57
CNN	4.12	3.29	11.84	2.10
RNN	3.66	2.63	3.78	2.91
RNN+A	3.78	2.67	5.73	4.32
GRU	4.34	2.71	6.04	4.13
LSTM	3.68	2.73	4.35	3.58
Transformer	3.44	2.67	5.86	4.14
Oracle	5.22	7.23	7.88	7.71



I report the average  $R^2$ s both in-sample (IS) and out-of-sample (OOS) for each model and each method over 10 Monte Carlo repetitions in Table 1.

For linear model, OLS and advanced tree methods deliver the best out-of-sample  $R^2$ . By contrast, for nonlinear model, these methods clearly dominate OLS, because the latter cannot capture the nonlinearity in the model. NNs is better, but is dominated by RF, and GBRT. I think that's because traditional ML methods are good at simple nonlinear tasks, while NNs are specialized in more complicated cases. Especially, NNs are best performed methods in nonstructural and complicated scenarios. OLS is the worst in all settings, not surprisingly.

## 4 An Empirical Study of US Equities

### 4.1 Data and Over-arching Model

I take all CRSP firms listed on the NYSE, AMEX, or NASDAQ as my samples. I obtain their monthly equity returns from July 1976 to December 2016, and the total time span is 40 years. I construct my empirical samples with about 28,000 stocks totally and 6,000 per month on average.

I take the one-month Treasury bill rate from Kenneth R. French' data library to proxy for the risk-free rate. Then, I calculate the excess return by using stock return minus risk-free rate.

I construct 81 stock-level characteristics based on the cross section of stock returns literature, that mainly follows the work of [Green, Hand, and Zhang(2017)].

I construct 5 factors proposed by [Fama and French(2015)] as proxies for systematic risk.

I also construct 6 macroeconomic proxies according to the work of [Welch and Goyal(2008)], including dividend-price ratio (dp), earnings-price ratio (ep), book-to-market ratio (bm), net equity expansion (ntis), Treasury-bill rate (tbl) and stock variance (svar).

Just like the work of [Gu, Kelly, and Xiu(2020)] for machine learning, all my deep learning methods are designed to approximate the over-arching empirical model  $E_t(r_{i,t+1}) = f^*(x_{i,t})$ , which is defined in equation (2), and baseline set of stock-level covariates  $z_{i,t}$  is defined as

$$z_{i,t} = x_t \otimes c_{i,t} \quad (40)$$

The theory foundation for this model, as mentioned by [Gu, Kelly, and Xiu(2020)], is the standard beta-pricing representation of the asset pricing conditional Euler equation. Stock-level characteristics  $c_{i,t}$  are used in analogy with risk exposure function  $\beta_{i,t}$ , systemic risk and macroeconomic proxies are used in analogy with risk premium  $\lambda_t$ . Let  $\beta_{i,t} = \theta_1 c_{i,t}$ ,  $\lambda_t = \theta_2 x_t$ ,

$$E_t(r_{i,t+1}) = \beta'_{i,t} \lambda_t \quad (41)$$

$$\begin{aligned} g^*(z_{i,t}) &= E_t(r_{i,t+1}) \\ &= \beta'_{i,t} \lambda_t \\ &= c'_{i,t} \theta'_1 \theta_2 x_t \\ &= (x_t \otimes c_{i,t})' \text{vec}(\theta'_1 \theta_2) \\ &=: z'_{i,t} \theta, \end{aligned} \quad (42)$$

where

$$\theta = \text{vec}(\theta'_1 \theta_2) \quad (43)$$

The Deep learning model is more general, because the  $g^*(z_{i,t})$  can be any function and the input  $z_{i,t}$  can be any combination of  $x_t$  and  $c_{i,t}$ . Therefore, the factor risk premium can have nonlinear relationship with macroeconomic and systematic risk,  $\lambda_t = f_1(x_t)$ . Also the risk exposure can have nonlinear relationship with firm characteristics,  $\beta_{i,t} = f_2(c_{i,t})$ .

I design 2 kinds of time span samples, and separate the data set as follows.

First, long time span contains totally 40 years. 80% for train set (1976 - 2007); 10% for validation set (2008 - 2012); 10% for test set (2013 - 2016).

Second, short time span contains totally 5 years. 80% for train set (2011.12 - 2016.06); 10% for validation set (2016.06 - 2016.12); 10% for test set (2016.07 - 2016.12).

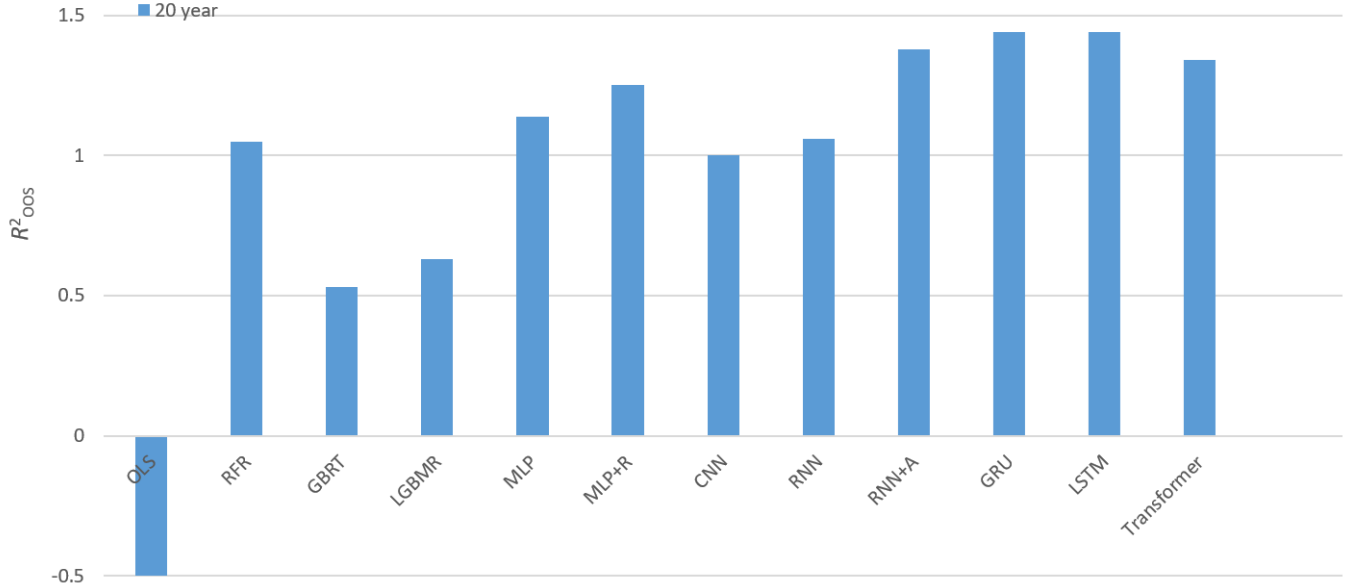
### 4.2 The Cross Section of Individual Stocks

Since the work of [Gu, Kelly, and Xiu(2020)] and [Leippold, Wang, and Zhou(2021)] have both conduct a comparative analysis on various machine learning methods and identified basic DNNs as the best performing model, I focus on SOTA deep learning models and start with basic DNNs.

I compare 8 deep learning models in total, including OLS, DNNs, residual DNNs, CNNs, residual CNNs, RNNs, RNNs with attention, GRU, LSTM and Transformer. Table 2 presents the comparison of different deep learning models in terms of their out-of-sample  $R^2$ . I use both long time span (40 years) and short time span (5 years) samples as the data set.

Table 2: Monthly Out-of-sample Stock-level Prediction Performance (Percentage  $R_{OOS}^2$ )

	OLS	RFR	GBRT	LGBMR	MLP	MLP +R	CNN	RNN	RNN +A	GRU	LSTM	Transformer
20 Years	-0.50	1.05	0.53	0.63	1.14	1.25	1.00	1.06	1.38	1.44	1.44	1.34



The main results of my comparative analysis are as follows.

First, Compare with traditional linear regression method, all SOTA deep learning methods have far better performance in stock return prediction.

Second, RNNs have better performance. This demonstrates that past information have predictive power on present return prediction, and the underlying correlation exists between today's return and history data. The high performance also justifies that RNNs are good at merging past and present information together to make predictions. However, vanilla RNNs in long time span data set are not trainable due to the vanishing gradient problem.

Third, the memory mechanisms of attention and cell unit in RNNs both work well. It highlight the value of long term memory in stock return prediction.

Forth, GRU as a simplify version of LSTM, make the model much simpler and without loss of performance at the same time. According to Occam's Razor principle, GRU could be a excellent substitution of LSTM in empirical asset pricing.

Fifth, CNNs have relative worse performance than other NNs. It's due to the design of CNNs is focusing on the Computer Vision (CV) tasks instead of stock return prediction. What's more, Transformer works always better than RNNs in most NLP tasks, while it is not the case in stock return prediction. These findings demonstrate that a good design is mainly based on the domain knowledge, and highlight the importance of prior knowledge and domain theory guided model design.

Last, deeper NNs with skip connections have only a little improvement. This suggests that the NNs needn't much the depth, and instead middle or shallow networks can also work well. Therefore, I should not overestimate the depth and complexity of the fundamental associations between market data and stock returns, and could be more optimistic about the future research of asset pricing theory. Learning from data and then to figure out the underlying economic mechanisms through explainable AI methods could be another promising research method, which can promote the study of asset pricing.

Table 3: Diebold-Mariano Tests of Out-of-Sample Prediction

	RFR	GBRT	LGBMR	MLP	MLP +R	CNN	RNN	RNN +A	GRU	LSTM	Transformer
OLS	<b>20.64</b>	<b>13.83</b>	<b>17.4</b>	<b>21.35</b>	<b>23.83</b>	<b>28.32</b>	<b>22.08</b>	<b>26.74</b>	<b>26.86</b>	<b>27.22</b>	<b>25.9</b>
RFR		<b>-23.35</b>	<b>-15.89</b>	<b>-3.19</b>	1.49	<b>-7.33</b>	<b>-5.84</b>	<b>7.21</b>	<b>8.54</b>	<b>7.09</b>	<b>4.3</b>
GBRT			<b>15.08</b>	<b>12.61</b>	<b>10.68</b>	1.75	<b>7.21</b>	<b>22.08</b>	<b>24.73</b>	<b>19.24</b>	<b>20.65</b>
LGBMR				<b>8.46</b>	<b>7.14</b>	-1.92	<b>2.46</b>	<b>16.93</b>	<b>19.82</b>	<b>16.57</b>	<b>15.43</b>
MLP					<b>3.38</b>	<b>-6.54</b>	<b>-3.54</b>	<b>10.37</b>	<b>12.49</b>	<b>13.13</b>	<b>8.03</b>
MLP+R						<b>-11.29</b>	<b>-7.04</b>	<b>4.24</b>	<b>4.26</b>	<b>3.71</b>	1.29
CNN							<b>4.66</b>	<b>15.44</b>	<b>15.33</b>	<b>15.25</b>	<b>13.01</b>
RNN								<b>15.89</b>	<b>17.36</b>	<b>15.55</b>	<b>13.16</b>
RNN+A									0.69	0.35	<b>-6.7</b>
GRU										-0.12	<b>-8.79</b>
LSTM											<b>-5.6</b>

Table 3 assesses the statistical significance of thirteen models, what reports the pairwise Diebold-Mariano test statistics of thirteen models. Positive statistic indicate the column model outperforms the row model and bold numbers indicate significance at the 5% level. The results consist with pervious discussion, and RNN with memory units and attention mechanisms have best performance.

### 4.3 Portfolio Forecasts

I conduct portfolios experiments according to machine learning forecasts by calculating one-month-ahead out-of-sample stock return predictions. I first sort stocks into deciles based on prediction of all 13 models, and then reconstitute portfolios each month with a zero-net-investment portfolio long the highest decile and short the lowest one.

Table 4 reports the performance of portfolios over the 5-year testing period. Column "Pred", "Avg", "Std", and "SR" represent the predicted monthly returns, and realized average monthly returns, standard deviations and Sharpe ratios. All portfolios are equally weighted. The results are consistent with pervious deep learning forecast performance, except that OLS has a relative good performance comparing to its OOS  $R^2$ . Realized returns almost consist with deep learning forecasts, and RNN models with memory mechanisms still dominate linear models and traditional ML (tree-based) approaches.

Table 4: Performance of Machine Learning Portfolios

	OLS				RFR				GBRT			
	Pred	Avg	Std	SR	Pred	Avg	Std	SR	Pred	Avg	Std	SR
Low(L)	-3.78	0.3	7.31	0.14	-3.38	1.13	7.58	0.52	-0.08	1.11	5.89	0.65
2	-2.23	0.41	5.63	0.25	-2.38	1.33	6.75	0.68	0.05	1.08	5.72	0.65
3	-1.7	0.69	5.26	0.45	-1.91	1.5	6.05	0.86	0.15	1.36	5.94	0.79
4	-1.32	0.74	4.88	0.52	-1.47	1.46	5.82	0.87	0.22	1.13	5.93	0.66
5	-1.02	1.23	4.66	0.91	-1.07	0.98	5.19	0.65	0.22	0.84	4.82	0.6
6	-0.73	1.2	4.74	0.88	-0.72	0.9	4.79	0.65	0.22	1.17	4.84	0.84
7	-0.44	1.48	4.85	1.05	-0.39	1.33	4.98	0.93	0.23	0.81	4.55	0.62
8	-0.1	1.58	4.97	1.1	-0.04	1.38	4.86	0.98	0.29	2.05	5.95	1.19
9	0.37	2.4	5.78	1.44	0.44	1.48	5.69	0.9	0.4	1.7	5.78	1.02
High(H)	1.55	4.54	7.64	2.06	2.3	3.06	7.48	1.42	0.83	3.31	7.5	1.53
H-L	5.32	4.24	4.43	3.31	5.68	1.93	7.25	0.92	0.91	2.21	4.14	1.84
	LGBMR				MLP				MLP+R			
	Pred	Avg	Std	SR	Pred	Avg	Std	SR	Pred	Avg	Std	SR
Low(L)	0.39	1.26	5.9	0.74	0.33	0.2	7.16	0.1	-0.62	-0.04	7.94	-0.02
2	0.56	1.08	5.8	0.64	0.79	0.34	5.36	0.22	0.02	0.15	6.39	0.08
3	0.62	1.42	6.02	0.82	1.04	0.76	6	0.44	0.3	0.53	5.57	0.33
4	0.67	1.31	6.42	0.71	1.22	0.62	5.25	0.41	0.51	0.79	5.12	0.53
5	0.67	1.25	5.58	0.78	1.39	0.9	4.92	0.63	0.71	0.9	4.86	0.64
6	0.67	1.1	4.76	0.8	1.55	1.33	4.65	0.99	0.92	1.19	4.85	0.85
7	0.68	1.13	4.84	0.81	1.7	1.53	5.14	1.03	1.15	1.69	4.79	1.22
8	0.7	1.98	6.32	1.08	1.86	1.77	5.09	1.2	1.43	1.78	4.89	1.26
9	0.75	1.78	5.72	1.08	2.03	2.9	5.83	1.72	1.85	2.49	5.24	1.65
High(H)	1.01	2.25	5.66	1.38	2.4	4.22	7.34	1.99	2.96	5.09	7.9	2.23
H-L	0.62	0.99	3.54	0.97	2.07	4.02	4.63	3.01	3.57	5.12	5.38	3.3
	CNN				RNN				RNN+A			
	Pred	Avg	Std	SR	Pred	Avg	Std	SR	Pred	Avg	Std	SR
Low(L)	-1.47	-0.45	7.16	-0.22	-0.61	-0.07	8.24	-0.03	-0.78	0.02	7.99	0.01
2	-0.47	0.18	5.84	0.11	0.16	-0.03	6.17	-0.02	-0.06	0.37	6.23	0.2
3	-0.11	0.43	5.5	0.27	0.5	0.31	5.66	0.19	0.31	0.48	5.59	0.3
4	0.15	0.79	4.95	0.55	0.74	0.4	5	0.28	0.58	0.42	4.89	0.3
5	0.38	1.11	4.99	0.77	0.94	0.81	4.62	0.61	0.8	0.75	4.58	0.57
6	0.59	1.26	4.65	0.94	1.12	1.4	4.5	1.08	1	1.22	4.57	0.92
7	0.82	1.61	4.79	1.17	1.31	1.76	4.37	1.39	1.22	1.69	4.38	1.34
8	1.1	2.1	5.11	1.42	1.54	2.09	5.05	1.43	1.48	2.05	4.94	1.44
9	1.47	2.58	5.6	1.59	1.86	2.88	5.67	1.76	1.86	2.72	6.09	1.55
High(H)	2.48	4.95	7.79	2.2	2.6	5	8.09	2.14	2.76	4.83	8.12	2.06
H-L	3.95	5.41	5.09	3.68	3.21	5.07	4.34	4.05	3.54	4.8	5.06	3.29
	GRU				LSTM				Transformer			
	Pred	Avg	Std	SR	Pred	Avg	Std	SR	Pred	Avg	Std	SR
Low(L)	-1.04	-0.23	7.87	-0.1	-0.63	-0.26	7.88	-0.11	-0.55	-0.07	7.88	-0.03
2	-0.24	0.2	6.76	0.1	0.11	0.06	6.08	0.03	0.12	0.05	5.89	0.03
3	0.23	0.44	5.51	0.28	0.49	0.41	5.41	0.27	0.45	0.35	5.63	0.22
4	0.56	0.57	5.07	0.39	0.75	0.46	5	0.32	0.7	0.68	4.99	0.47
5	0.81	0.93	4.83	0.67	0.95	0.72	4.71	0.53	0.9	1.2	4.75	0.88
6	1.03	1.15	4.45	0.89	1.14	1.41	4.64	1.06	1.09	1.58	4.65	1.18
7	1.25	1.69	4.5	1.3	1.33	1.69	4.61	1.27	1.28	1.84	4.75	1.34
8	1.54	2.05	4.89	1.45	1.58	2.21	5.09	1.51	1.49	1.97	4.9	1.39
9	1.95	2.73	5.5	1.72	1.95	2.8	5.98	1.62	1.78	2.71	5.67	1.66
High(H)	2.86	5.03	8.26	2.11	2.88	5.05	8.49	2.06	2.32	4.25	7.83	1.88
H-L	3.9	5.26	4.63	3.94	3.51	5.31	5.22	3.53	2.87	4.32	4.24	3.53

Figure 12 reports cumulative log returns for long and short sides of portfolios sorted on models' forecasts. Bold black baseline is cumulative market excess return. The solid and dash lines represent long (top decile) and short (bottom decile) positions. Finally, RNN with memory mechanisms and Residual MLP dominate all other models in both directions.

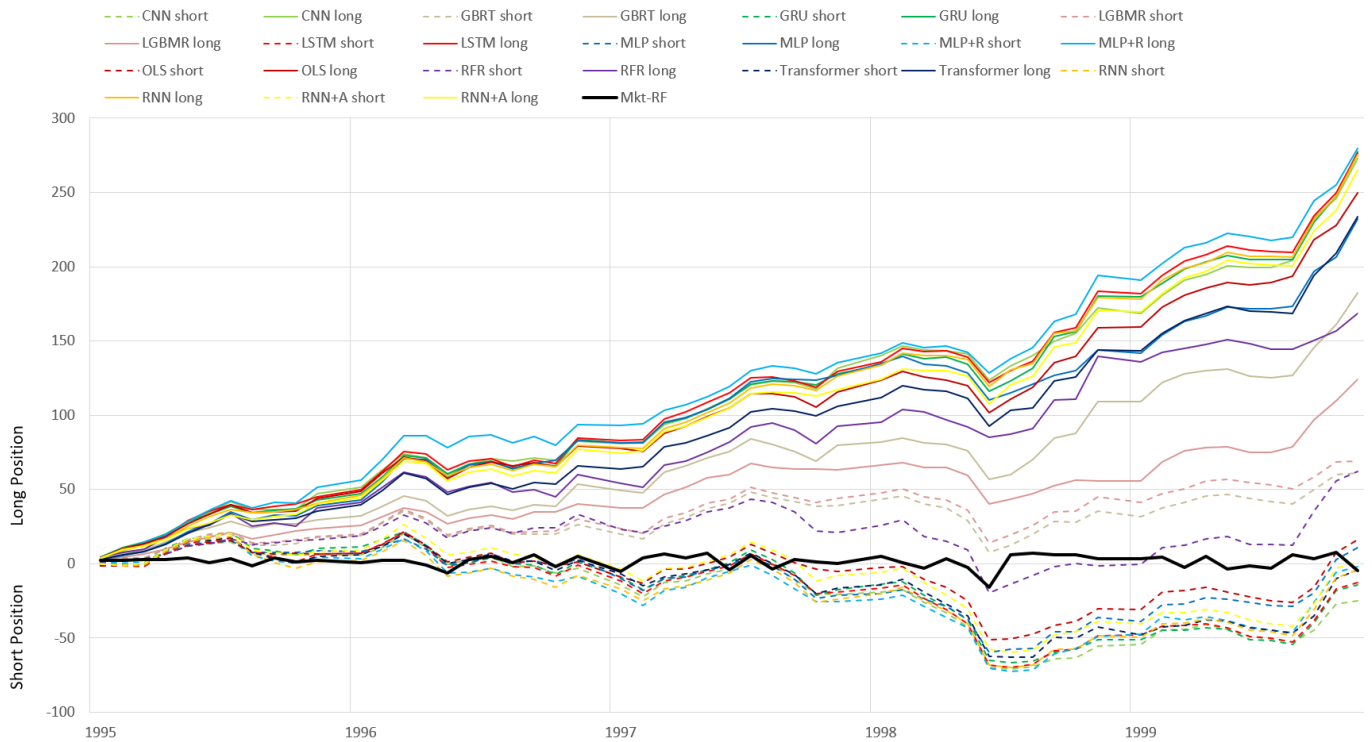


Figure 12: Cumulative Return of Machine Learning Portfolios

## 5 Conclusion

I conduct a comprehensive comparative analysis of various deep learning methods on empirical asset pricing, and identify that RNNs with memory mechanism and Transformer have the best performance in terms of predictivity. Furthermore, I demonstrate large economic gains to investors using deep learning forecasts.

My comparisons of various NNs' performance on stock return prediction demonstrate the importance of domain knowledge and financial theory when designing deep learning models. This finding inspires a promising research direction on empirical asset pricing via deep learning in future work . My findings show prediction in asset pricing brings new challenges to deep learning, that the samples violate IID assumption accepted by most deep learning applications. The distribution shift problem caused by time varying distribution and the low signal-to-noise ratio problem of financial data are the two urgent problems need solving in stock return prediction models. The finding that well performed networks are not always deep gives a promising direction for future study of asset pricing theory. Learning from data and figuring out the insights of asset pricing theory behind deep learning models through explainable AI theory is a promising research method.

The success of deep learning methods for stock return prediction brings great prospects for innovative economic models, and highlights the value of deep learning in empirical understanding of asset prices. What's more, it also suggests that all the follow-up achievements in the booming deep learning studies (e.g., explainable AI theory, innovative architectures, mechanisms and models, etc.) can constantly promote the study of asset pricing. The better measurement with deep learning methods can improve the risk premia prediction, and promote and simplify the study of underlying economic mechanisms behind asset pricing.

Overall, my findings not only justify the role of deep learning methods in the booming financial innovation, but also highlight their prospects and advantages over traditional machine learning methods.

## References

[Ba, Kiros, and Hinton(2016)] Ba, J. L., J. R. Kiros, and G. E. Hinton. 2016. Layer normalization. *arXiv preprint arXiv:1607.06450* .



- [Bahdanau, Cho, and Bengio(2014)] Bahdanau, D., K. Cho, and Y. Bengio. 2014. Neural machine translation by jointly learning to align and translate. *arXiv preprint arXiv:1409.0473* .
- [Bianchi, Büchner, and Tamoni(2021)] Bianchi, D., M. Büchner, and A. Tamoni. 2021. Bond risk premiums with machine learning. *The Review of Financial Studies* 34:1046–89.
- [Cho et al.(2014)Cho, Van Merriënboer, Gulcehre, Bahdanau, Bougares, Schwenk, and Bengio] Cho, K., B. Van Merriënboer, C. Gulcehre, D. Bahdanau, F. Bougares, H. Schwenk, and Y. Bengio. 2014. Learning phrase representations using rnn encoder-decoder for statistical machine translation. *arXiv preprint arXiv:1406.1078* .
- [Fama and French(2015)] Fama, E. F., and K. R. French. 2015. A five-factor asset pricing model. *Journal of financial economics* 116:1–22.
- [Glorot, Bordes, and Bengio(2011)] Glorot, X., A. Bordes, and Y. Bengio. 2011. Deep sparse rectifier neural networks. In *Proceedings of the fourteenth international conference on artificial intelligence and statistics*, 315–23. JMLR Workshop and Conference Proceedings.
- [Goodfellow, Bengio, and Courville(2016)] Goodfellow, I., Y. Bengio, and A. Courville. 2016. *Deep learning*. MIT press.
- [Green, Hand, and Zhang(2017)] Green, J., J. R. Hand, and X. F. Zhang. 2017. The characteristics that provide independent information about average us monthly stock returns. *The Review of Financial Studies* 30:4389–436.
- [Gu, Kelly, and Xiu(2020)] Gu, S., B. Kelly, and D. Xiu. 2020. Empirical asset pricing via machine learning. *The Review of Financial Studies* 33:2223–73.
- [Gu, Kelly, and Xiu(2021)] ———. 2021. Autoencoder asset pricing models. *Journal of Econometrics* 222:429–50.
- [He et al.(2016)He, Zhang, Ren, and Sun] He, K., X. Zhang, S. Ren, and J. Sun. 2016. Deep residual learning for image recognition. In *Proceedings of the IEEE conference on computer vision and pattern recognition*, 770–8.
- [Heaton, Polson, and Witte(2016)] Heaton, J., N. G. Polson, and J. H. Witte. 2016. Deep learning in finance. *arXiv preprint arXiv:1602.06561* .
- [Hochreiter and Schmidhuber(1997)] Hochreiter, S., and J. Schmidhuber. 1997. Long short-term memory. *Neural computation* 9:1735–80.
- [Hutchinson, Lo, and Poggio(1994)] Hutchinson, J. M., A. W. Lo, and T. Poggio. 1994. A nonparametric approach to pricing and hedging derivative securities via learning networks. *The journal of Finance* 49:851–89.
- [Ioffe and Szegedy(2015)] Ioffe, S., and C. Szegedy. 2015. Batch normalization: Accelerating deep network training by reducing internal covariate shift. In *International conference on machine learning*, 448–56. PMLR.
- [Ivakhnenko(1971)] Ivakhnenko, A. G. 1971. Polynomial theory of complex systems. *IEEE transactions on Systems, Man, and Cybernetics* 364–78.
- [Kingma and Ba(2014)] Kingma, D. P., and J. Ba. 2014. Adam: A method for stochastic optimization. *arXiv preprint arXiv:1412.6980* .
- [Koijsen and Van Nieuwerburgh(2011)] Koijsen, R. S., and S. Van Nieuwerburgh. 2011. Predictability of returns and cash flows. *Annu. Rev. Financ. Econ.* 3:467–91.
- [Krizhevsky, Sutskever, and Hinton(2012)] Krizhevsky, A., I. Sutskever, and G. E. Hinton. 2012. Imagenet classification with deep convolutional neural networks. *Advances in neural information processing systems* 25:1097–105.
- [Leippold, Wang, and Zhou(2021)] Leippold, M., Q. Wang, and W. Zhou. 2021. Machine learning in the chinese stock market. *Journal of Financial Economics* ISSN 0304-405X. doi:<https://doi.org/10.1016/j.jfineco.2021.08.017>.
- [Pascanu, Mikolov, and Bengio(2013)] Pascanu, R., T. Mikolov, and Y. Bengio. 2013. On the difficulty of training recurrent neural networks. In *International conference on machine learning*, 1310–8. PMLR.
- [Rapach and Zhou(2013)] Rapach, D., and G. Zhou. 2013. Forecasting stock returns. In *Handbook of economic forecasting*, vol. 2, 328–83. Elsevier.
- [Rumelhart, Hinton, and Williams(1985)] Rumelhart, D. E., G. E. Hinton, and R. J. Williams. 1985. Learning internal representations by error propagation. Working Paper, California Univ San Diego La Jolla Inst for Cognitive Science.

- [Sirignano, Sadhwani, and Giesecke(2016)] Sirignano, J., A. Sadhwani, and K. Giesecke. 2016. Deep learning for mortgage risk. *arXiv preprint arXiv:1607.02470* .
- [Vaswani et al.(2017)] Vaswani, Shazeer, Parmar, Uszkoreit, Jones, Gomez, Kaiser, and Polosukhin] Vaswani, A., N. Shazeer, N. Parmar, J. Uszkoreit, L. Jones, A. N. Gomez, L. Kaiser, and I. Polosukhin. 2017. Attention is all you need. In *Advances in neural information processing systems*, 5998–6008.
- [Welch and Goyal(2008)] Welch, I., and A. Goyal. 2008. A comprehensive look at the empirical performance of equity premium prediction. *The Review of Financial Studies* 21:1455–508.
- [Yao, Li, and Tan(2000)] Yao, J., Y. Li, and C. L. Tan. 2000. Option price forecasting using neural networks. *Omega* 28:455–66.