

Robust Power Allocation and Linear Precoding for Cell-Free and Multi-Cell Massive MIMO Systems

Erick F. de Almeida and Rodrigo C. de Lamare

Abstract

Multi-Cell (MC) systems are present in mobile network operations from the first generation to the fifth generation of wireless networks, and considers the signals of all users to a base station (BS) centered in a cell. Cell-Free (CF) systems works with a large number of distributed antennas serving users at the same time. In this context, Multiple-input multiple-output (MIMO) techniques are used in both topologies and result in performance gains and interference reduction. In order to achieve the benefits mentioned, proper precoder design and power allocation techniques are required in the downlink (DL). In general, DL schemes assume perfect channel state information at the transmitter (CSIT), which is not realistic. This paper studies MC and CF with MIMO systems equipped with linear precoders in the DL and proposes an adaptive algorithm to allocate power in the presence of imperfect CSIT. The proposed robust adaptive power allocation outperforms standard adaptive and uniform power allocation. Simulations also compare the performance of both systems frameworks using minimum mean-square error (MMSE) precoders with robust adaptive power allocation and adaptive power allocation.

Keywords

massive MIMO systems, downlink precoding, power allocation, multi-cell systems, cell-free systems.

I. INTRODUCTION

Broadband wireless cellular networks have passed through many generations over the last 30 years. The fifth generation (5G) is now being commercialized by the Mobile Network Operators (MNOs) since its cellular telecommunications standard specifications were defined, national spectrum auctions were performed worldwide for licensing frequency bands, along with user's data consumption and data rate demand increases. In order to characterize 5G systems, we can cite higher data rates, lower latency, reduced energy consumption, interference management, massive connectivity, and ultra-reliability [1] as big advantages when compared to previous technologies.

Multiple-input multiple-output (MIMO) wireless technology was adopted in the fourth generation (4G) and it has been under extensive study ever since. MIMO techniques consist of multiple antennas employed at the transmitter (tx) and/or at the receiver (rx). The main advantage of these systems is that they increase dramatically the overall throughput without the need for additional bandwidth [2]. By simultaneous transmission of multiple data streams which share the same time-frequency resources, we have some benefits of MIMO technology that help to achieve such significant performance gains: array gain, spatial diversity gain, spatial multiplexing and interference reduction and avoidance [3].

As the number of users tends to tremendously increase, massive MIMO technique was proposed and combined with several other enabling techniques to entitle 5G arrival and it will be present in 6G. In terms of telecommunication architectural setup, multiple antennas are implemented to provide high beamforming and spatially multiplexing gain, thus achieving the high spectral efficiency (SE), energy efficiency, and link reliability. The explosive demand for higher data rates and traffic volume is continuous, thereby wireless communication networks are required to provide better coverage, and uniform user performance over a wide coverage area [5].

Multi-cellular co-located antenna system (CAS), where the BS is located at the center of each cell, such as the 5G architecture proposal suffer to satisfy these conditions because of performance degradation at cell-edge and inter-cell interference presence in the system [6]. Other techniques also emerge to improve wireless communication and assist in the development of the sixth generation (6G). Distributed antenna systems (DAS) were introduced in [7] and their setup can be used to minimize cell-edge interference, providing better coverage, since the BS are distributed in a wide area. In addition, cooperative multipoint joint processing (CoMP) is proposed to reduce inter-cell interference [8], [10]. Combining the advantages of massive MIMO and the CoMP and DAS techniques [8], the concept of CF systems has emerged, which is strongly considered for 6G networks.

In this work, we study MC and CF with MIMO systems equipped with linear minimum mean-square error (MMSE) precoders in the downlink. Practical implementations of MIMO systems suffer with imperfect channel state information at the transmitter (CSIT), however traditional design of linear precoders and power allocation techniques assume perfect CSIT. Contributing to solve this issue, we propose a different robust adaptive power allocation (R-APA) algorithm design, to allocate power in the presence of imperfect CSIT. Simulation results illustrate the performance of the proposed R-APA algorithm against existing techniques in MC and CF scenarios, where we clearly see how it outperforms standard adaptive and uniform power allocation.

This paper is structured as follows. Section II describes the system models. Section III presents the linear precoding adopted and the proposed R-APA algorithms. In Section IV, we present and discuss the numerical results, which compare CF and MC networks in terms of Sum Rates and Bit Error Rate (BER). Then, we draw some conclusions over both systems and mention some future works in Section V.

II. SYSTEM MODELS

A comprehensive model to efficiently perform transmission over downlink (DL) in a MIMO system consists of proper design of precoders and suitable power allocation, for the correct architectural scheme. In order to exploit channel multipath propagation components (which creates an almost stationary fading pattern in space for each BS) [9], appropriate designs enhance data rate, increase performance and suppress multiuser (MU) interference.

For conventional MIMO systems linear precoders and power allocation designs, perfect CSIT is assumed [3]. In order to obtain CSI, we lean on two types of spectrum usage techniques for the system: Time division duplex (TDD) or frequency division duplex (FDD). Both methods introduce errors in the estimation procedure, which leads to imperfect CSIT. TDD systems employ training pilots to acquire CSIT whereas FDD systems depend on feedback links [11]. Furthermore, in TDD systems and reciprocal channels, the uplink (UL) can be used for channel estimation, assuming the same channel coherence interval for UL training, UL transmission and DL transmission.

Since real world systems do not meet the perfect CSIT assumption and spectrum techniques (used to obtain CSI) introduce imperfections that can heavily degrade the systems, the design of precoding and power allocation approaches which consider imperfect CSIT is of great significance.

A. Cell-Free

As a DAS architecture, CF Massive MIMO systems consist of having a large number of individually controllable low-cost low-power single antenna access point (APs) M distributed over a wide area for simultaneously serving a small number of user equipment (UE) K [12]. One of the challenges in FDD cell-free massive MIMO is the downlink CSI feedback. Because each AP receives the downlink CSI feedback from all users in conventional massive MIMO systems for designing the precoder, the CSI acquisition and feedback overhead will be huge [13]. Based on that, the transmission from the APs to the users (DL) and the transmission from the users to the APs (UL) proceed by TDD operation [8].

The APs are connected via backhaul network to a Central Processing Unit (CPU), serving all users at the same time-frequency resource, cooperating with its neighbor. Each AP receives the transmission data, performs power allocation and precoding based on CSI obtained by UL and then, using channel reciprocity, sends the information via DL to the receiver antenna.

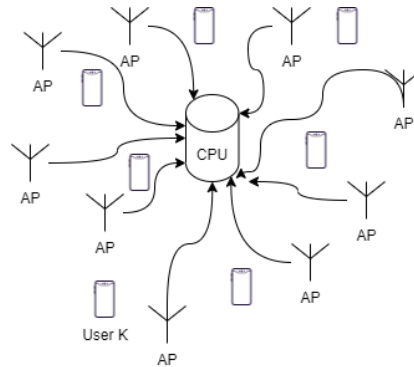


Fig. 1

CELL-FREE MASSIVE MIMO SYSTEM ARCHITECTURE

There are twofold benefits of the topology in Fig. 1: a reduced data payload in the fronthaul and an increased SE for all UEs [14]. However, when compared to CAS, CF has much more backhaul complexity, since the communication between payload data, and power control coefficients is done in the CPU. Assuming $M \gg K$ which means that the user is surrounded by APs, all UEs may have good channel conditions [16], [17].

In MU-MIMO systems, the data are transmitted to K users in DL, so the m -th AP transmits the symbols x_m :

$$x_m = \sqrt{\rho_f} \sum_{k=1}^K p_{mk} a_{mk} s_k, \quad (1)$$

where ρ_f is the transmit power limit of each antenna, p_{mk} is the precoding coefficient and a_{mk} is the power coefficient used by AP m for transmission to user k , and s_k is the data signal intended for user k .

The signal received by the k -th user y_k is then represented by:

$$y_k = \sum_{m=1}^M h_{mk} x_m + n_k, \quad (2)$$

where $n_k \sim CN(0, \sigma_w^2)$ and h_{mk} is the estimated channel coefficient, also complex normal distribution.

For all APs combined we can express the transmitted vector as $\mathbf{x} = \mathbf{P}\mathbf{N}\mathbf{s}$. For all users, we express the received vector:

$$\mathbf{y} = \sqrt{\rho_f} \mathbf{H}_{\text{cf}}^T \mathbf{x} + \mathbf{n}, \quad (3)$$

where in this framework, the channel matrix $\mathbf{H}_{\text{cf}} \in \mathbb{C}^{M \times K}$, $\mathbf{P}_{\text{cf}} \in \mathbb{C}^{M \times K}$ is the precoding matrix, $\mathbf{N}_{\text{cf}} \in \mathbb{C}^{K \times K}$ is the power allocation matrix, then \mathbf{s} and $\mathbf{n} \in \mathbb{C}^K$ are the symbol and noise vectors, respectively.

B. Multi-Cell

The cellular concept was introduced to increase system's capacity using frequency reuse in a delimited area of coverage. The technique has become essential to expand the number of available channels. To avoid co-channel interference during frequency reuse technique, a cell respects a geographic distance to another cell that uses the same frequency.

The base-station (BS) is co-located at the center of each cell and a set of cells form a cluster as demonstrated in Fig. 2. This architecture represents CAS topology for massive MIMO systems. Handover between BS must be considered since the user is served by the BS responsible for that specific cell.

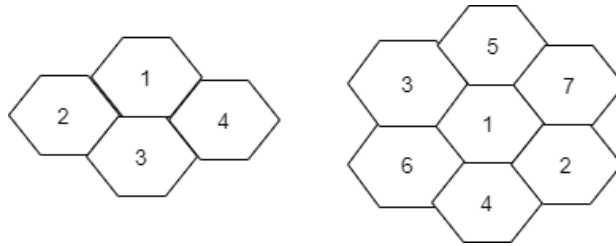


Fig. 2

MULTI-CELL MASSIVE MIMO SYSTEM ARCHITECTURE (HEXAGONAL CELLS CLUSTER: 4 CELLS ON LEFT SIDE AND 7 CELLS ON RIGHT SIDE)

Even though this topology reduces channel frequency interference (planned radio access network (RAN) ensures that cells which use the same frequency channel are distant in different clusters), it stills suffer with MUI, inter-cell interference (ICI) and edge users performance reduction.

In this setup, the k -th user is equipped with N_k antennas and the BS is equipped with N_t antennas, where the total number of received antennas is $N_r = \sum_{k=1}^K N_k$. The data are encoded and modulated into a vector of symbols $\mathbf{s} \in \mathbb{C}^{N_r}$. We characterize the precoding matrix that maps the symbols to the transmit antenna as $\mathbf{P}_{\text{mc}} \in \mathbb{C}^{N_t \times N_r}$ and $\mathbf{N}_{\text{mc}} \in \mathbb{C}^{N_r \times N_r}$ is the matrix that allocates power to the symbols.

Once the information is ready for transmission, we can express the transmitted vector $\mathbf{x} \in \mathbb{C}^{N_t}$:

$$\mathbf{x} = \mathbf{P}\mathbf{N}\mathbf{s} = \sum_{k=1}^{N_r} p_k a_k s_k. \quad (4)$$

Then, for all users the received vector $\mathbf{y} \in \mathbb{C}^{N_r}$:

$$\mathbf{y} = \mathbf{H}_{\text{mc}} \mathbf{x} + \mathbf{n}, \quad (5)$$

where in (5) $\mathbf{H}_{\text{mc}} \in \mathbb{C}^{N_r \times N_t}$ is the multi-cell channel estimation matrix used to transmit the information and $\mathbf{n} \in \mathbb{C}^{N_r}$ is the additive noise samples as Gaussian random vector $CN(O, C_n)$, where C_n is the covariance matrix for the noise.

III. POWER ALLOCATION AND PRECODING

In this section, we focus on the derivation of the MMSE precoder, which has better performance ratio between linear precoding option for both systems when compared to ZF in [1]. We remark that linear precoders [19], [20], [21], [22], [23], [24], [25] can be replaced by non linear precoders [26], [27], [28] for enhanced performance. We then present the derivation of the proposed R-APA algorithm that is based on a stochastic gradient (SG) learning strategy [18] that takes into account imperfect CSIT. Note that for each system model, namely, MC and CF, the dimensions are different for \mathbf{P} , \mathbf{H} and \mathbf{N} .

The ZF precoder can be defined as $\mathbf{P}_{\text{ZF}} = \mathbf{H}(\mathbf{H}^H \mathbf{H})^{-1}$. Considering the \mathbf{P}_{MMSE} corresponds to the following optimization problem:

$$\mathbf{P}_{MMSE} = \arg \min E\{\|\mathbf{s} - f\mathbf{y}\|_2^2\} \quad (6)$$

$$s.t. \mathbb{E}[\|\mathbf{x}\|_2^2] \leq E_{tx},$$

The average power is obtained through:

$$\mathbb{E}[\|\mathbf{x}\|_2^2] = \mathbb{E}[(\mathbf{PNs})(\mathbf{PNs})^H] \quad (7)$$

Then:

$$\mathbf{P}_{MMSE} = \arg \min E\{\|\mathbf{s} - f\mathbf{y}\|_2^2\} \quad (8)$$

$$s.t. \text{tr}(\mathbf{PNC}_s\mathbf{N}^H\mathbf{P}^H) \leq E_{tx},$$

where E_{tx} denotes the total transmit power constraint, and \mathbf{C}_s is the covariance matrix of s . Because the transmit energy is constrained, it is considered that the received signal is scaled with factor f at the receiver, which is part of the optimization.

The MSE cost function is then calculated:

$$\mathbf{C}(\mathbf{N}) = E\{\|\mathbf{s} - f\mathbf{y}\|_2^2\} = E[(\mathbf{s} - f\mathbf{y})^H(\mathbf{s} - f\mathbf{y})] \quad (9)$$

Taking into account (3) and (5):

$$\begin{aligned} \mathbf{C}(\mathbf{N}) &= E[\mathbf{s}^H\mathbf{s}] - fE[\mathbf{s}^H(\sqrt{\rho_f}\mathbf{HPNs} + \mathbf{n})] \\ &\quad - fE[(\sqrt{\rho_f}\mathbf{HPNs} + \mathbf{n})^H\mathbf{s}] \\ &\quad + f^2E[(\sqrt{\rho_f}\mathbf{HPNs} + \mathbf{n})^H(\sqrt{\rho_f}\mathbf{HPNs} + \mathbf{n})] \end{aligned} \quad (10)$$

Since s and n are statistically independent: $E[\mathbf{s}^H\mathbf{n}] = E[\mathbf{sn}^H] = 0$; $E[\mathbf{s}^H\mathbf{s}] = \mathbf{C}_s$ and $E[\mathbf{n}^H\mathbf{n}] = \mathbf{C}_n$:

$$\begin{aligned} \mathbf{C}(\mathbf{N}) &= \text{tr}(\mathbf{C}_s) - f\text{tr}(\sqrt{\rho_f}\mathbf{HPNC}_s) \\ &\quad - f\text{tr}(\sqrt{\rho_f}\mathbf{N}^H\mathbf{P}^H\mathbf{H}^H\mathbf{C}_s) + f^2\text{tr}(\rho_f\mathbf{N}^H\mathbf{P}^H\mathbf{H}^H\mathbf{HPNC}_s) \\ &\quad + f^2\text{tr}(\mathbf{C}_n) \end{aligned} \quad (11)$$

After applying the method of Lagrange multipliers, Wirtinger's calculus, equating the terms to zero, taking the derivative with respect to f , and using the trace operator, we obtain the following result for the MMSE precoder:

$$\mathbf{P}_{MMSE} = \frac{f}{\sqrt{\rho_f}}(\mathbf{H}\mathbf{H}^H + \frac{\text{tr}(\mathbf{C}_n)}{E_{tx}})^{-1}\mathbf{H}^H\mathbf{N}^{-1}, \quad (12)$$

A. Adaptive Power Allocation (APA)

We define the Algorithm 1, the adaptive SG learning strategy that performs APA as explained in details:

Algorithm 1 APA Algorithm Based on the Stochastic Gradient

- 1: **Parameters:** μ (step size) and T_{APA} (number of iterations).
 - 2: **Initialization:** $\eta_k[0] = 10^{-3}$, $k = 1, \dots, K$.
 - 3: **For** $i = 0:T_{\text{APA}}$
 - 4: Set $\mathbf{N}[i]$ as a diagonal matrix with $\sqrt{\eta[i]}$ on its diagonal.
 - 5: Define $\mathcal{C}(\mathbf{N})$.
 - 6: Compute $\nabla\mathcal{C}(\mathbf{N})$.
 - 7: Calculate $\mathbf{N}[i+1] = \mathbf{N}[i] - \mu \frac{\hat{\nabla}}{\mathbf{N}^*}\mathcal{C}(\mathbf{N})$
 - 8: Obtain $\mathbf{N}[i+1] = \mathbf{N}[i+1] \odot \mathbf{I}_K$
 - 9: Apply the per-antenna constraint $\delta_m \cdot \eta[i+1] \leq 1$, $m = 1, \dots, M$ to adjust $\mathbf{N}[i+1]$
 - 10: **end**
 - 11: Obtain $\mathbf{N} = \mathbf{N}[i+1]$.
-

Based on the algorithm steps, let us consider (11) to calculate the instantaneous gradient, using Wirtinger's calculus with respect to \mathbf{N}^* and then find the matrix \mathbf{N} :

$$\nabla\mathbf{C}(\mathbf{N}) = \frac{\partial\mathbf{C}(\mathbf{N})}{\partial\mathbf{N}^*} \quad (13)$$

$$\nabla\mathbf{C}(\mathbf{N}) = -f\sqrt{\rho_f}\mathbf{P}^H\mathbf{H}^H\mathbf{C}_s + f^2\rho_f\mathbf{P}^H\mathbf{H}^H\mathbf{HPNC}_s$$

The matrix \mathbf{N} from (4) is updated by:

$$\mathbf{N}[i+1] = \mathbf{N}[i] - \mu\nabla\mathbf{C}(\mathbf{N}) \quad (14)$$

B. Robust Adaptive Power Allocation (R-APA)

For the R-APA approach, we consider imperfect CSIT. In this case, the channel $\mathbf{H} = \hat{\mathbf{H}} + \tilde{\mathbf{H}} \in C^{N_r \times N_t}$ in MC and $\in C^{M \times K}$ in CF. The matrix $\hat{\mathbf{H}}$ represents the channel estimate and the matrix $\tilde{\mathbf{H}}$ models the CSIT imperfection, obtained by considering the error of the estimation procedure. Each coefficient h_{ij} of the matrix \mathbf{H} represents the link between the i -th receive antenna and the j -th transmit antenna. The channel matrix can be expressed by $\mathbf{H} = [\mathbf{H}_1, \mathbf{H}_2, \dots, \mathbf{H}_k]$, where \mathbf{H}_k denotes the channel connecting the BS to the k th user.

Let us reconsider the MSE function (9) and rewrite with the new definition of \mathbf{H} :

$$C(\mathbf{N}_{robust}) = E\{|\mathbf{s} - \hat{\mathbf{H}}\mathbf{P}\mathbf{N}\mathbf{s} - \tilde{\mathbf{H}}\mathbf{P}\mathbf{N}\mathbf{s} - \mathbf{n}|_2^2\} \quad (15)$$

Following the Algorithm 1 steps, let us expand the terms to find $\mathbf{C}(\mathbf{N}_{robust})$:

$$\begin{aligned} \mathbf{C}(\mathbf{N}_{robust}) = & E[(\mathbf{s}^H \mathbf{s}) - (\mathbf{s}^H \tilde{\mathbf{H}}\mathbf{P}\mathbf{N}\mathbf{s}) - (\mathbf{s}^H \hat{\mathbf{H}}\mathbf{P}\mathbf{N}\mathbf{s}) - (\mathbf{s}^H \mathbf{n}) \\ & - (\mathbf{s}^H \mathbf{N}^H \mathbf{P}^H \hat{\mathbf{H}}^H \mathbf{s}) + (\mathbf{s}^H \mathbf{N}^H \mathbf{P}^H \hat{\mathbf{H}}^H \hat{\mathbf{H}}\mathbf{P}\mathbf{N}\mathbf{s}) \\ & + (\mathbf{s}^H \mathbf{N}^H \mathbf{P}^H \tilde{\mathbf{H}}^H \tilde{\mathbf{H}}\mathbf{P}\mathbf{N}\mathbf{s}) + (\mathbf{s}^H \mathbf{N}^H \mathbf{P}^H \hat{\mathbf{H}}^H \mathbf{n}) \\ & - (\mathbf{s}^H \mathbf{N}^H \mathbf{P}^H \tilde{\mathbf{H}}^H \mathbf{s}) + (\mathbf{s}^H \mathbf{N}^H \mathbf{P}^H \tilde{\mathbf{H}}^H \hat{\mathbf{H}}\mathbf{P}\mathbf{N}\mathbf{s}) \\ & + (\mathbf{s}^H \mathbf{N}^H \mathbf{P}^H \hat{\mathbf{H}}^H \tilde{\mathbf{H}}\mathbf{P}\mathbf{N}\mathbf{s}) + (\mathbf{s}^H \mathbf{N}^H \mathbf{P}^H \hat{\mathbf{H}}^H \mathbf{n}) \\ & - (\mathbf{n}^H \mathbf{s}) + (\mathbf{n}^H \hat{\mathbf{H}}\mathbf{P}\mathbf{N}\mathbf{s}) + (\mathbf{n}^H \tilde{\mathbf{H}}\mathbf{P}\mathbf{N}\mathbf{s}) + (\mathbf{n}^H \mathbf{n})] \end{aligned} \quad (16)$$

where \mathbf{x} and \mathbf{n} are statistically independent, as well as $\tilde{\mathbf{H}}$ and $\hat{\mathbf{H}}$. Applying trace operator, we have:

$$\mathbf{C}(\mathbf{N}_{robust}) = tr(\mathbf{C}_s) - 2tr(\hat{\mathbf{H}}\mathbf{P}\mathbf{N}\mathbf{C}_s) + 2tr(\mathbf{N}^H \mathbf{P}^H \hat{\mathbf{H}}^H \hat{\mathbf{H}}\mathbf{P}\mathbf{N}\mathbf{C}_s) + tr(\mathbf{N}^H \mathbf{P}^H \tilde{\mathbf{H}}^H \tilde{\mathbf{H}}\mathbf{P}\mathbf{N}\mathbf{C}_s) + tr(\mathbf{C}_n) \quad (17)$$

The independent vectors \hat{h}_k and \tilde{h}_j , with $k \neq j$

$$E[\tilde{\mathbf{H}}^H \tilde{\mathbf{H}}] = [\tilde{\mathbf{G}}] = \begin{bmatrix} \sigma_{e_1}^2 & 0 & \dots & 0 \\ 0 & \sigma_{e_2}^2 & \dots & 0 \\ \vdots & \vdots & \ddots & \vdots \\ 0 & 0 & \dots & \sigma_{e_{N_t}}^2 \end{bmatrix} \quad (18)$$

Without loss of generality, we consider $\sigma_{e_i}^2 = \sigma_{e_j}^2$, furthermore $\sigma_{e_i}^2 = N_r \sigma_e^2$

$$[\tilde{\mathbf{G}}] = N_r \begin{bmatrix} \sigma_e^2 & 0 & \dots & 0 \\ 0 & \sigma_e^2 & \dots & 0 \\ \vdots & \vdots & \ddots & \vdots \\ 0 & 0 & \dots & \sigma_e^2 \end{bmatrix} \quad (19)$$

We then derive $\nabla \mathbf{C}(\mathbf{N}_{robust})$:

$$\begin{aligned} \nabla \mathbf{C}(\mathbf{N}_{robust}) &= \frac{\partial \mathbf{C}(\mathbf{N}_{robust})}{\partial \mathbf{N}} \\ \nabla \mathbf{C}(\mathbf{N}_{robust}) &= -2(\hat{\mathbf{H}}\mathbf{P}\mathbf{C}_s) + 2(\mathbf{P}^H \hat{\mathbf{H}}^H \hat{\mathbf{H}}\mathbf{P}\mathbf{N}\mathbf{C}_s) \\ &\quad + (\mathbf{P}^H [\tilde{\mathbf{G}}] \mathbf{P}\mathbf{N}\mathbf{C}_s) \end{aligned} \quad (20)$$

The result from (20) can be used to update the matrix \mathbf{N} by gradient ascent recursion:

$$\mathbf{N}[i+1] = \mathbf{N}[i] - \mu \nabla \mathbf{C}(\mathbf{N}_{robust}) \quad (21)$$

Including imperfect CSIT to the recursion of power allocation coefficients, increases robustness against CSIT uncertainties. The detection procedure can employ several strategies that differ in the way the interference is mitigated [29], [30], [31], [32], [33], [34], [36], [35], [37], [38].

IV. NUMERICAL RESULTS

In this section, we study the performance of both systems in terms of BER vs. SNR and SUM-Rate vs. SNR. Simulations were performed considering QPSK modulation and large-scaling fading models. The dimensions of the systems are represented in each chart result. Three linear precoding techniques, Matched-Filter (MF) or Conjugated Beamforming (CB), Zero-Forcing (ZF) and Minimum Mean Squared Error (MMSE) were used. We also compare Uniform Power Allocation (UPA) and Adaptive Power Allocation (APA) to the R-APA proposed in this work.

We would like to start the analysis with the comparison over the CF performance. We note that for linear precoding schemes, MMSE precoder is the one with better rate in Fig. 3. Adding to that, APA approach brings a good enhance of performance

over UPA. Using CSIT imperfection, we can get even a better improvement. Next, in Fig. 4 we see the same performance in terms of Sum-Rate vs. SNR, where MMSE precoder with UPA achieves better results than other precoders. R-APA approach increases the outcome even more.

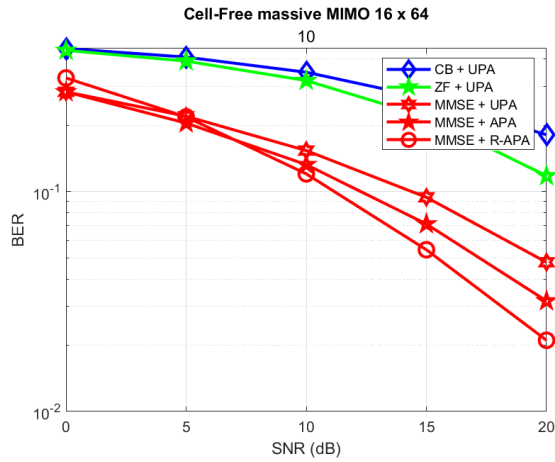


Fig. 3
CELL-FREE BER vs. SNR: K = 16 AND M = 64

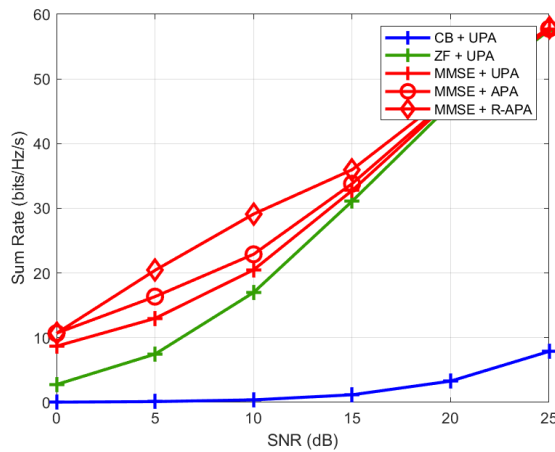


Fig. 4
CELL-FREE SUM-RATE vs. SNR: K = 16 AND M = 64

The MC architecture is presented in the following simulation. In Fig. 5 we compare, in a four cells system, three types of linear precoders and three power allocation techniques, just as before for DAS. For this scheme, we have the addition of ICI. We can see that MMSE outperforms ZF and MF (which is almost constant) using UPA. Furthermore, MMSE using APA and R-APA have better results than MMSE + UPA.

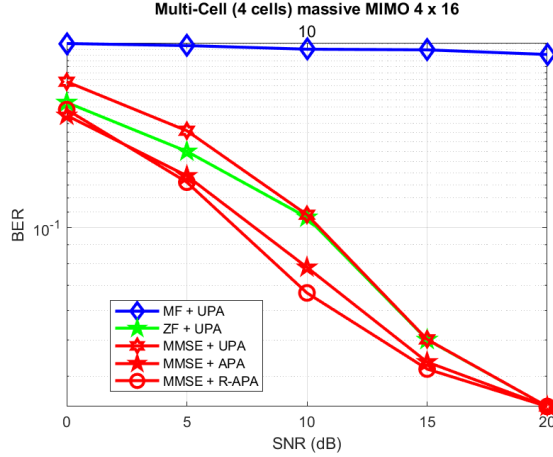


Fig. 5

MULTI-CELL (4 CELLS) BER vs. SNR: $N_r = 4$ AND $N_t = 16$

Finally in Fig. 6, we compare both systems best precoding and power allocation performances. Note that MC outperforms CF for small values of SNR, however when the curves get close to 15 dB, CF MMSE + R-APA achieves better performance.

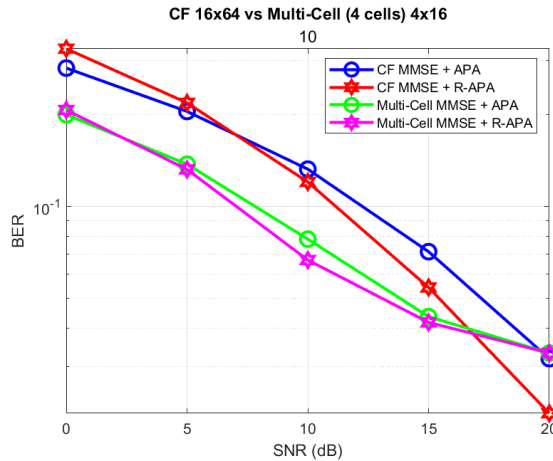


Fig. 6

BER vs SNR PERFORMANCE: MULTI-CELL vs CELL-FREE

V. CONCLUSION

In this work we have presented some massive MIMO concepts, applications, benefit and compared two architecture CAS (low backhaul requirement and all users are served by only one centralized antenna) and DAS (high backhaul requirement and all users are served by all the distributed antennas simultaneously in the coverage area) in terms of BER vs. SNR and Sum-rate vs. SNR.

We structured each system architecture for the data transmission and reception. We considered downlink linear precoding, where MMSE precoder was derived and compared to ZF and MF linear approaches. We also calculated the power allocation for an adaptive algorithm that use recursive expressions to recalculate the power allocation matrix taking into account the MSE cost function of the system. Next, we included CSIT imperfections into the power allocation algorithm making it more robust and increasing its rates. Numerical results demonstrate the performance of all precoding designs and power allocation algorithms.

Finally, MIMO MC systems used in nowadays wireless communication networks (4G and 5G) have proven their efficiency, achieving high rates and reasonable system capacity. MIMO CF systems have shown substantial potential for future wireless technologies, achieving comparable rates to MC systems and excellent system capacity levels. As future works, we can suggest the study of CF high mobility systems, since current systems are considered for scenarios where the mobility of the users are less than 10km/h, due to the application of the TDD protocol and the coherence time interval [15].

REFERÊNCIAS

- [1] T. S. Rappaport, Y. Xing, G. Maccartney, A. F. Molisch, "Overview of Millimeter Wave Communications for a Focus on Propagation Models", vol. 65, no. 12, 6213-6230, 2017.
- [2] Q. C. Li, H. Niu, A. T. Papathanassiou and G. Wu, "5G network capacity-Key elements and technologies", IEEE Vehicular Technology Magazine, vol. 9, no. 1, pp. 71-78, Mar. 2014.
- [3] E. Biglieri, R. Calderbank, A. Constantinides, A. Goldsmith, A. Paulraj H. Vincent Poor (2007). MIMO Wireless Communication. Cambridge University Press
- [4] R. C. de Lamare, "Massive MIMO systems: Signal processing challenges and future trends," in URSI Radio Science Bulletin, vol. 2013, no. 347, pp. 8-20, Dec. 2013
- [5] X. You et al., "Towards 6G wireless communication networks: Vision, enabling technologies, and new paradigm shifts", Sci. China Inf. Sci., vol. 64, no. 1, pp. 1-74, 2021.
- [6] J. Zhang, E. Bjornson, M. Matthaiou, D. W. K. Ng, H. Yang, and D. J. Love, Prospective multiple antenna technologies for beyond 5G, IEEE J. Sel. Areas Commun., vol. 38, no. 8, pp. 1637-1660, Aug. 2020.
- [7] R. Heath, S. Peters, Y. Wang, J. Zhang, "A current perspective on distributed antenna systems for the downlink of cellular systems", IEEE Communications Magazine, 51(4):161-167, Apr 2013.
- [8] H. Q. Ngo, A. Ashikhmin, H. Yang, E. G. Larsson, and T. L. Marzetta, "Cell-free massive MIMO versus small cells, " IEEE Trans. Wireless Communications, vol. 16, no. 3, pp. 1834-1850, Mar. 2017.
- [9] R. Irmer, H. Droste, P. Marsch, M. Grieger, G. Fettweis, S. Brueck, H. P. Mayer, L. Thiele, and V. Jungnickel, "Coordinated multipoint: Concepts, performance, and field trial results", IEEE Commun. Mag., vol. 49, no. 2, pp. 102-111, Feb. 2011.
- [10] P. Li and R. C. de Lamare, "Distributed Iterative Detection With Reduced Message Passing for Networked MIMO Cellular Systems," IEEE Transactions on Vehicular Technology, vol. 63, no. 6, pp. 2947-2954, July 2014
- [11] M. Vu and A. Paulraj, MIMO wireless linear precoding, IEEE Signal Processing Magazine, vol. 24, no. 5, pp. 86-105, Sept. 2007.
- [12] H. Q. Ngo, A. Ashikhmin, H. Yang, E. G. Larsson, and T. L. Marzetta, "Cell-free massive MIMO: Uniformly great service for everyone", Proc. IEEE International Workshop on Signal Processing Advances in Wireless Communications (SPAWC), Stockholm, Sweden, Jun. 2015
- [13] H. He, X. Yu, J. Zhang, S. H. Song, and K. B. Letaief, "Cell-free massive MIMO for 6g wireless communication networks", CoRR, abs/2110.07309, 2021
- [14] E. Nayebe, A. Ashikhmin, T. L. Marzetta, H. Yang, and B. D. Rao, "Precoding and power optimization in cell-free massive MIMO systems," IEEE Trans. Wireless Communications, vol. 16, pp. 4445-4459, Jul. 2017.
- [15] Zhang, J., Chen, S., Lin, Y., Zheng, J., Ai, B., Hanzo, L. (2019). Cell-Free Massive MIMO: A New Next-Generation Paradigm. IEEE Access, 7, 99878-99888.
- [16] V. M. Palhares, R. C. de Lamare, A. R. Flores, and L. T. Landau, "Iterative AP selection, MMSE precoding and power allocation in cell-free massive MIMO systems", IET Communications, vol. 14, pp; 3996-4006, 2020.
- [17] V. M. T. Palhares, A. R. Flores and R. C. de Lamare, "Robust MMSE Precoding and Power Allocation for Cell-Free Massive MIMO Systems," in IEEE Transactions on Vehicular Technology, vol. 70, no. 5, pp. 5115-5120, May 2021.
- [18] A. R. Flores and R. C. de Lamare, "Robust and Adaptive Power Allocation Techniques for Rate Splitting based MU-MIMO systems," in IEEE Transactions on Communications, 2022.
- [19] W. Zhang et al., "Large-Scale Antenna Systems With UL/DL Hardware Mismatch: Achievable Rates Analysis and Calibration," in IEEE Transactions on Communications, vol. 63, no. 4, pp. 1216-1229, April 2015.
- [20] Y. Cai, R. C. d. Lamare and R. Fa, "Switched Interleaving Techniques with Limited Feedback for Interference Mitigation in DS-CDMA Systems," in IEEE Transactions on Communications, vol. 59, no. 7, pp. 1946-1956, July 2011.
- [21] K. Zu, R. C. de Lamare and M. Haardt, "Generalized Design of Low-Complexity Block Diagonalization Type Precoding Algorithms for Multiuser MIMO Systems," in IEEE Transactions on Communications, vol. 61, no. 10, pp. 4232-4242, October 2013.
- [22] W. Zhang et al., "Widely Linear Precoding for Large-Scale MIMO with IQI: Algorithms and Performance Analysis," in IEEE Transactions on Wireless Communications, vol. 16, no. 5, pp. 3298-3312, May 2017.
- [23] A. R. Flores, R. C. de Lamare and B. Clerckx, "Linear Precoding and Stream Combining for Rate Splitting in Multiuser MIMO Systems," in IEEE Communications Letters, vol. 24, no. 4, pp. 890-894, April 2020.
- [24] X. Lu and R. C. de Lamare, "Opportunistic Relaying and Jamming Based on Secrecy-Rate Maximization for Multiuser Buffer-Aided Relay Systems," in IEEE Transactions on Vehicular Technology, vol. 69, no. 12, pp. 15269-15283, Dec. 2020
- [25] S. F. B. Pinto and R. C. de Lamare, "Block Diagonalization Precoding and Power Allocation for Multiple-Antenna Systems With Coarsely Quantized Signals," in IEEE Transactions on Communications, vol. 69, no. 10, pp. 6793-6807, Oct. 2021.
- [26] K. Zu, R. C. de Lamare and M. Haardt, "Multi-Branch Tomlinson-Harashima Precoding Design for MU-MIMO Systems: Theory and Algorithms," in IEEE Transactions on Communications, vol. 62, no. 3, pp. 939-951, March 2014.
- [27] L. T. N. Landau and R. C. de Lamare, "Branch-and-Bound Precoding for Multiuser MIMO Systems With 1-Bit Quantization," in IEEE Wireless Communications Letters, vol. 6, no. 6, pp. 770-773, Dec. 2017
- [28] A. R. Flores, R. C. De Lamare and B. Clerckx, "Tomlinson-Harashima Precoded Rate-Splitting With Stream Combiners for MU-MIMO Systems," in IEEE Transactions on Communications, vol. 69, no. 6, pp. 3833-3845, June 2021.
- [29] R. C. De Lamare and R. Sampaio-Neto, "Minimum Mean-Squared Error Iterative Successive Parallel Arbitrated Decision Feedback Detectors for DS-CDMA Systems," in IEEE Transactions on Communications, vol. 56, no. 5, pp. 778-789, May 2008
- [30] P. Li, R. C. de Lamare and R. Fa, "Multiple Feedback Successive Interference Cancellation Detection for Multiuser MIMO Systems," in IEEE Transactions on Wireless Communications, vol. 10, no. 8, pp. 2434-2439, August 2011.
- [31] R. C. de Lamare, "Adaptive and Iterative Multi-Branch MMSE Decision Feedback Detection Algorithms for Multi-Antenna Systems," in IEEE Transactions on Wireless Communications, vol. 12, no. 10, pp. 5294-5308, October 2013.
- [32] A. G. D. Uchoa, C. T. Healy and R. C. de Lamare, "Iterative Detection and Decoding Algorithms for MIMO Systems in Block-Fading Channels Using LDPC Codes," in IEEE Transactions on Vehicular Technology, vol. 65, no. 4, pp. 2735-2741, April 2016.
- [33] Z. Shao, R. C. de Lamare and L. T. N. Landau, "Iterative Detection and Decoding for Large-Scale Multiple-Antenna Systems With 1-Bit ADCs," in IEEE Wireless Communications Letters, vol. 7, no. 3, pp. 476-479, June 2018.
- [34] H. Ruan and R. C. de Lamare, "Distributed Robust Beamforming Based on Low-Rank and Cross-Correlation Techniques: Design and Analysis," in IEEE Transactions on Signal Processing, vol. 67, no. 24, pp. 6411-6423, 15 Dec.15, 2019.
- [35] R. B. Di Renna and R. C. de Lamare, "Iterative List Detection and Decoding for Massive Machine-Type Communications," in IEEE Transactions on Communications, vol. 68, no. 10, pp. 6276-6288, Oct. 2020.
- [36] Z. Shao, L. T. N. Landau and R. C. de Lamare, "Dynamic Oversampling for 1-Bit ADCs in Large-Scale Multiple-Antenna Systems," in IEEE Transactions on Communications, vol. 69, no. 5, pp. 3423-3435, May 2021.
- [37] R. B. D. Renna and R. C. de Lamare, "Dynamic Message Scheduling Based on Activity-Aware Residual Belief Propagation for Asynchronous mMTC," in IEEE Wireless Communications Letters, vol. 10, no. 6, pp. 1290-1294, June 2021.
- [38] R. B. Di Renna and R. C. de Lamare, "Joint Channel Estimation, Activity Detection and Data Decoding Based on Dynamic Message-Scheduling Strategies for mMTC," in IEEE Transactions on Communications, vol. 70, no. 4, pp. 2464-2479, April 2022.