

Distributed Non-Interference

Roberto Gorrieri

roberto.gorrieri@unibo.it

Università di Bologna, Dipartimento di Informatica — Scienza e Ingegneria
Mura A. Zamboni, 7, 40127 Bologna, Italy

Abstract. Information flow security properties were defined some years ago (see, e.g., the surveys [13,36]) in terms of suitable equivalence checking problems. These definitions were provided by using sequential models of computations (e.g., labeled transition systems [18]), and interleaving behavioral equivalences (e.g., bisimulation equivalence [32]). More recently, the distributed model of Petri nets has been used to study non-interference in [6,7,2], but also in these papers an interleaving semantics was used. We argue that in order to capture all the relevant information flows, truly-concurrent behavioral equivalences must be used. In particular, we propose for Petri nets the distributed non-interference property, called DNI, based on *branching place bisimilarity* [25], which is a sensible, decidable equivalence for finite Petri nets with silent moves. Then we focus our attention on the subclass of Petri nets called *finite-state machines*, which can be represented (up to isomorphism) by the simple process algebra CFM [19]. DNI is very easily checkable on CFM processes, as it is compositional, so that it does not suffer from the state-space explosion problem. Moreover, we show that DNI can be characterized syntactically on CFM by means of a type system.

1 Introduction

Non-interference has been defined in the literature as an extensional property based on some observational semantics: the high part (usually considered the secret part) of a system does not interfere with the low part (i.e., the public one) if whatever is done at the high level (i.e., by high-level users) produces *no visible effect* on the low part of the system (i.e., it does not change the observations made by low-level users); or, equivalently, if low-users cannot infer the occurrence of those events that should be observable only by high-users.

The original notion of non-interference in [17] was defined, using *trace semantics*, for deterministic automata with outputs. Generalized notions of non-interference were then designed for more general sequential models of computation, such as (nondeterministic) labeled transition systems (LTSSs, for short), by exploiting also finer notions of observational semantics such as *bisimulation equivalence* (see, e.g., [36,12,37,13]). The security properties studied in these papers are all based on the dynamics of systems, as they are defined by means of one (or more) equivalence check(s). Therefore, non-interference checking is as difficult as *equivalence checking*, a well-studied hard problem in automata theory and concurrency theory (see, e.g., [18]).

More recently, the distributed model of Petri nets [34,35,19] was used to study non-interference in, e.g., [6,7,2], but also in these papers the security properties of interest are based on *interleaving* (i.e., sequential) behavioral semantics and the distributed model is used only to show that, under some conditions, these (interleaving) information flows can be characterized by the presence (or absence) of certain causal or conflict structures in the net.

The thesis of this paper is that, for security analysis, it is necessary to describe the behavior of distributed systems by means of a distributed model of computation, such as a Petri net, but also to *observe* the distributed model by means of some *truly-concurrent* behavioral semantics, i.e., a semantics that can observe the parallelism of system components or, better, the causality among the actions performed. There is a wide range of possible truly-concurrent equivalences (see, e.g., [14,16] for a partial overview) and it may be not obvious to understand which is more suitable. Our intuition is that, in order to capture all the possible information flows, it is necessary that the observational semantics is very concrete, observing not only the partial order of events that have occurred, as in *fully-concurrent bisimilarity* [5], but also the structure of the distributed state, as in *place bisimilarity* [1], a sensible behavioral equivalence, which was recently proved decidable [24] for finite Petri nets.

The non-interference problem can be summarized as follows. Our aim is to analyze systems that can perform two kinds of actions: *high-level* actions, representing the interaction of the system with high-level users, and *low-level* actions, representing the interaction with low-level users. We want to verify whether the interplay between the high user and the high part of the system can affect the view of the system as observed by a low user. We assume that the low user knows the structure of the system, and we check whether, in spite of this, (s)he is not able to infer the behavior of the high user by observing the low view of the execution of the system. Hence, we assume that the set of actions is partitioned into two subsets: the set H of high-level actions (or secret actions) and the set L of low-level actions (or public actions).

To explain our point of view, we use the process algebra CFM [19,21], extending finite-state CCS [32] with an operator of asynchronous (i.e., without communication capabilities) parallelism, that can be used at the top level only. The net semantics of CFM [19,21], described in Section 3.2, associates a *finite-state machine* (a particular Petri net whose transitions have singleton pre-set and singleton, or empty, post-set) N_p to each CFM process term p and, conversely, for each finite-state machine N we can associate a CFM process term p whose net semantics N_p is isomorphic to N ; for this reason, we can work equivalently on CFM process terms or on finite-state machines. Consider the CFM sequential process

$$A \doteq l.A + h.B \quad B \doteq l.B$$

where A and B are process constants, each one equipped with a defining equation, and where l is a low action and h is a high one. The LTS semantics for A is outlined in Figure 1(a).

Intuitively, this system is secure because the execution of the high-level action h does not add any information to a low-level observer: what such a low observer can see is just a, possibly never-ending, sequence of low actions l in any case: *before* h is performed as well as *after* h has been performed. The most restrictive non-interference

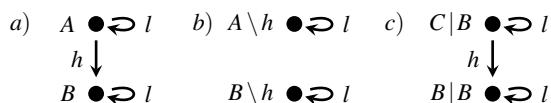


Fig. 1. An example of a secure process with never-ending behavior

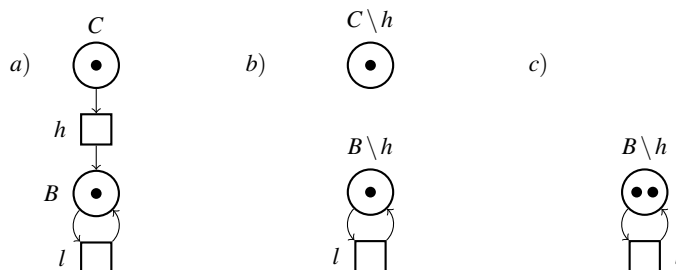


Fig. 2. The Petri net for the process $C \mid B$ in (a), of $(C \mid B) \setminus h$ in (b) and of $(B \mid B) \setminus h$ in (c)

property discussed in [12,13,7], called SBNDC (acronym of *Strong Bisimulation Non-Deducibility on Composition*), requires that whenever the system under scrutiny performs a high-level action, the states of the system *before* and *after* executing that high-level action are indistinguishable for a low-level observer. In our example, this means that A is SBNDC if $A \setminus h$ is bisimilar to $B \setminus h$, where $A \setminus h$ denotes the low observable part of the system *before* h is performed (i.e., process A where the transition h is pruned), while $B \setminus h$ denotes the low observable part of the system *after* h is performed. By observing the LTSs in Figure 1(b), we conclude that A is SBNDC.

However, the LTS in Figure 1(a) is isomorphic to the LTS in 1(c), which is the semantics of the parallel process $C \mid B$, where $C \doteq h.B$ and $B \doteq l.B$. Therefore, we can conclude that also $C \mid B$ enjoys the SBNDC non-interference property. Unfortunately, this parallel system is not secure: if a low observer can realize that two occurrences of actions l have been performed in parallel (which is a possible behavior of $B \mid B$ only, but this behavior is not represented in the interleaving LTS semantics), then (s)he is sure that the high-level action h has been performed. This trivial example shows that SBNDC, based on interleaving bisimulation equivalence, is unable to detect a real information flow from high to low.

However, if we use a Petri net semantics for the process algebra CFM, as described in Section 3.2, we have that the net semantics for $C \mid B$, outlined in Figure 2(a), is such that the low-observable system *before* the execution of h , i.e., $(C \mid B) \setminus h$ (whose net semantics is outlined in Figure 2(b)) is not “truly-concurrent” equivalent to the low-observable system *after* h , i.e., $(B \mid B) \setminus h$ (whose net semantics is in Figure 2(c)). In fact, it is now visible that the two tokens on place $B \setminus h$ in the net in (c) can perform transition l at the same time, and such a behavior is impossible for the net in (b). This example calls for a truly-concurrent semantics which is at least as discriminating as *step bisimulation* equivalence [33,19], which is able to observe the parallel execution of actions.

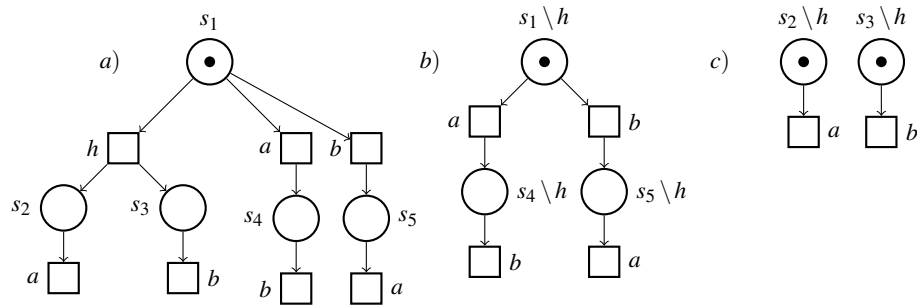


Fig. 3. An example of an insecure process

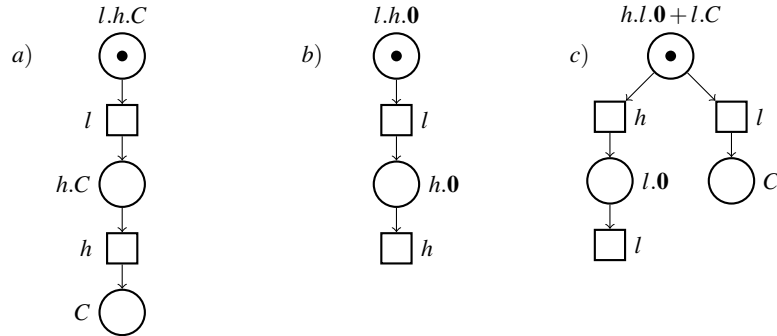


Fig. 4. By observing the state, information flows can be detectable

As a further example, consider the process term (not expressible in CFM, rather in the slightly richer process algebra BPP [9,18,23]):

$$A \doteq h.(a.\mathbf{0}|b.\mathbf{0}) + a.b.\mathbf{0} + b.a.\mathbf{0}$$

whose net semantics is outlined in Figure 3(a). The two low-observable subnets *before* and *after* the execution of h (depicted in Figure 3(b) and 3(c), respectively) generate different partial orders: if an observer realizes that b is causally independent from a , then (s)he infers that h has been performed. Hence, *causality* is crucial for detecting potential information flows in a distributed system; hence, our observational semantics should be at least as discriminating as *fully-concurrent bisimilarity* [5] (or, equivalently, *history-preserving bisimilarity* [38,14,10]), that is able to observe the partial orders of performed events.

However, we want to argue that also the structure of the distributed system (i.e., the size of the current marking, in Petri net terminology) is an important feature, that cannot be ignored, as most truly-concurrent behavioral equivalences do (notably fully-concurrent bisimilarity [5]). Consider the net in Figure 4(a), which is the semantics of the CFM process $l.h.C$, with $C \doteq \mathbf{0}$. Since h is not causing any low action, we conclude that this net is secure. However, the very similar net in (b), which is the semantics of $l.h.\mathbf{0}$, is not secure: if the low observer realizes that the token disappears in the end,

then (s)he can infer that h has been performed. This simple observation is about the observability of the size of the distributed system: if the execution of a high-level action modifies the current number of tokens (i.e., the number of currently active sequential subprocesses), then its execution has an observable effect that can be recognized by a low observer. Indeed, also in the net in Figure 3 the execution of the high-level transitions h modifies the current number of active components, because the marking before executing h has size 1, while the marking after h has size 2, so that a low observer can realize that h has been performed. Similarly, the net in Figure 4(c), which is the semantics of $h.l.\mathbf{0} + l.C$ with $C \doteq \mathbf{0}$, is such that, before and after h , the same partial order of events can be performed, but if the token disappears in the end, then the low observer knows that h has been performed. Therefore, it is necessary to use a truly-concurrent behavioral equivalence slightly finer than fully-concurrent bisimilarity, able to observe also the structure of the distributed state, such as *place bisimilarity* [1,24], *structure-preserving bisimilarity* [16] and *step net bisimilarity* [26]. These equivalences coincide on CFM (i.e., on finite-state machines) and can be characterized in a very simple and effective way as *team bisimilarity* [20,23]. However, on Petri nets place bisimilarity is strictly finer than structure-preserving bisimilarity (or the equivalent step net bisimilarity), but the former is decidable [24], while this is an open problem for the latter. (By the way, fully-concurrent bisimilarity is undecidable for finite Petri nets [11].) So, our starting point is to consider *place bisimilarity* as our candidate observational semantics over finite Petri nets.

When considering Petri nets with *silent* transitions (i.e., transitions labeled by the invisible action τ), we have the problem to understand which kind of generalization of place bisimulation equivalence to consider. We have at least two possible alternatives, inspired to *weak bisimilarity* [32] or to *branching bisimilarity* [15], originally proposed for LTSs. In order to understand the problem, consider the CFM process constants

$$C \doteq h.(a.D + a.b.\mathbf{0}) + a.D \quad D \doteq \tau.b.\mathbf{0} + c.\mathbf{0}$$

whose net semantics is outlined in Figure 5(a). Of course, the low-observable system before executing h is $p = C \setminus h$, whose net is outlined in Figure 5(b), while the low-observable system after h is $q = (a.D + a.b.\mathbf{0}) \setminus h$, depicted in Figure 5(c). According to weak bisimilarity, p and q are equivalent; in particular, to the transition $q \xrightarrow{a} b.\mathbf{0} \setminus h$, p can reply with the sequence $p \xrightarrow{a} D \setminus h \xrightarrow{\tau} b.\mathbf{0} \setminus h$. Therefore, if we use weak bisimilarity, then the system would be considered secure. However, if a low user realizes that after performing the low action a , the low action c is no longer available (i.e., it is executing the summand $a.b.\mathbf{0}$ as in $q \xrightarrow{a} b.\mathbf{0} \setminus h$), then (s)he is sure that h has been performed; hence, C is not secure. As a matter of fact, branching bisimilarity, which is strictly finer than weak bisimilarity and does fully respect the timing of choices, does not consider p and q as equivalent, as only q has the possibility of discarding c by performing a . Indeed, this example reinforces the observation that the *timing of choices* is crucial for security, as already observed on LTSs in [12,13] where it is argued that it is better to use branching-time behavioral equivalences (such as bisimulation equivalence) rather than linear-time behavioral equivalences (such as trace equivalence). Summarizing, the behavioral equivalence that we advocate is *branching place bisimilarity* [25], a sensible behavioral equivalence, which is decidable in exponential time on finite Petri

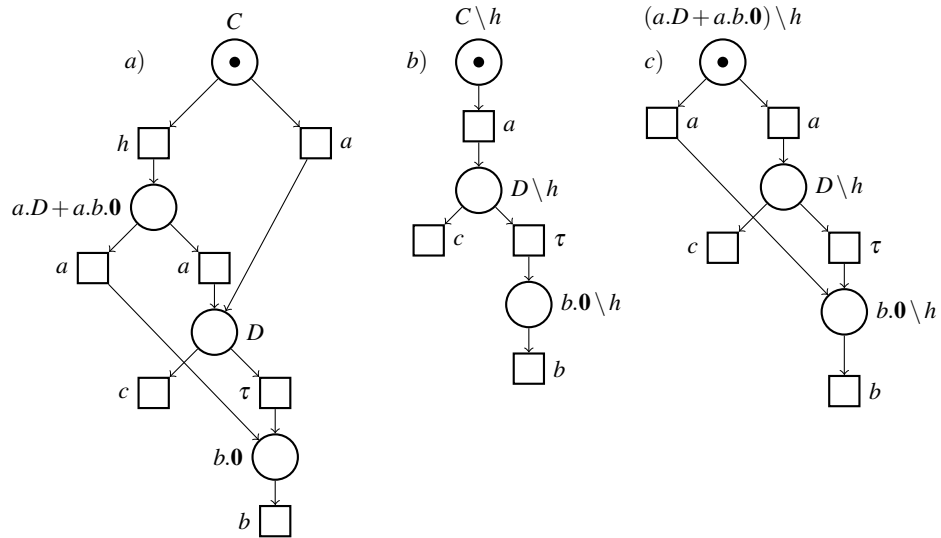


Fig. 5. By observing the timing of choice, further information flows can be detected

nets and that specializes to the very efficiently decidable *branching team equivalence* on finite-state machines [21].

So, we are now ready to propose the property DNI (acronym of Distributed Non-Interference) as follows. Given a finite Petri net N , we denote by $N \setminus H$ the net obtained from N by pruning all the high-labeled transitions and by denoting each place s of N by $s \setminus H$, as we did in the previous examples.

The initial marking m_0 of N is **DNI** if for each reachable markings m_1, m_2 and for each $h \in H$ such that $m_1 \xrightarrow{h} m_2$, we have that $m_1 \setminus H \approx_p m_2 \setminus H$, where \approx_p denotes branching place bisimilarity and, for $i = 1, 2$, $m_i \setminus H$ denotes the marking of the net $N \setminus H$ corresponding to m_i in N .

On the one hand, DNI is clearly decidable in exponential time for bounded nets (i.e., nets with a finite number of reachable markings), because we have to make a finite number of branching place bisimulation checks, each one decidable in exponential time [25]. On the other hand, it is an open problem to see whether DNI is decidable for general unbounded Petri nets.

After this general introduction, in the rest of the paper, we focus our attention only on the special class of Petri nets called *finite-state machines*, on the corresponding process algebra CFM that truly represents such nets, up to isomorphism [19], and on *branching team equivalence* [21], which is the specialization of branching place bisimilarity on such nets. Hence, the definition of DNI above can be specialized for this subcase in the obvious way.

On the class of finite-state machines, which are bounded, DNI is very easily checkable. As a matter of fact, given a CFM parallel process $p = p_1 | p_2 | \dots | p_n$, we prove that p is DNI if and only if each p_i is DNI, for $i = 1, \dots, n$. Hence, instead of inspecting

the state space of p , we can simply inspect the state spaces for p_1, p_2, \dots, p_n . If the state space of each p_i is composed of 10 states, then the state space of p is composed of 10^n states, so that a direct check of DNI on the state space of p is impossible for large values of n . However, the distributed analysis on each p_i can be done in linear time w.r.t. n , hence also for very large values of n . Moreover, a structural characterization of DNI can be provided by inspecting directly the finite-state machine under scrutiny, which offers a very efficient, polynomial algorithm to check DNI. Finally, a slight enhancement of DNI (called DNI as well, with abuse of notation), based on the slightly finer *rooted* branching team equivalence [21] (which is the coarsest congruence for all the operators of CFM contained in branching team equivalence), is characterized syntactically on CFM by means of a typing system: we prove that a CFM process p is DNI if and only if p (or a slight variant of it) is typed. The typing system is based on a finite, sound and complete, axiomatization of rooted branching team equivalence [21].

The paper is organized as follows. Section 2 introduces the basic definitions about finite-state machines, together with the definition of (rooted) branching team equivalence. Section 3 defines the syntax of the process algebra CFM, hints its net semantics and recalls the finite, sound and complete, axiomatization of rooted branching team equivalence from [21]. Section 4 introduces the distributed non-interference property DNI on CFM processes, proving that it can be really checked in a distributed manner, and also describes the typing system for (the slightly finer variant of) DNI (based on the rooted variant of branching team bisimulation). Finally, Section 5 comments on related work.

2 Finite-State Machines and Branching Team Equivalence

By finite-state machine (FSM, for short) we mean a simple type of finite Petri net [34,35,19] whose transitions have singleton pre-set and singleton, or empty, post-set. The name originates from the fact that an unmarked net of this kind is essentially isomorphic to a nondeterministic finite automaton [30] (NFA, for short), usually called a finite-state machine as well. However, semantically, our FSMs are richer than NFAs because, as their initial marking may be not a singleton, these nets can also exhibit concurrent behavior, while NFAs are strictly sequential.

Definition 1. (Multiset) *Let \mathbb{N} be the set of natural numbers. Given a finite set S , a multiset over S is a function $m : S \rightarrow \mathbb{N}$. Its support set $\text{dom}(m)$ is $\{s \in S \mid m(s) \neq 0\}$. The set of all multisets over S is $\mathcal{M}(S)$, ranged over by m . We write $s \in m$ if $m(s) > 0$. The multiplicity of s in m is the number $m(s)$. The size of m , denoted by $|m|$, is $\sum_{s \in S} m(s)$, i.e., the total number of its elements. A multiset m such that $\text{dom}(m) = \emptyset$ is called empty and is denoted by \emptyset . We write $m \subseteq m'$ if $m(s) \leq m'(s)$ for all $s \in S$. Multiset union $_{\oplus}$ is defined as follows: $(m \oplus m')(s) = m(s) + m'(s)$. Multiset difference $_{\ominus}$ is defined as follows: $(m_1 \ominus m_2)(s) = \max\{m_1(s) - m_2(s), 0\}$. The scalar product of a number j with m is the multiset $j \cdot m$ defined as $(j \cdot m)(s) = j \cdot (m(s))$. By s_i we also denote the multiset with s_i as its only element. Hence, a multiset m over $S = \{s_1, \dots, s_n\}$ can be represented as $k_1 \cdot s_1 \oplus k_2 \cdot s_2 \oplus \dots \oplus k_n \cdot s_n$, where $k_j = m(s_j) \geq 0$ for $j = 1, \dots, n$. \square*

Definition 2. (Finite-state machine) A labeled finite-state machine (FSM, for short) is a tuple $N = (S, A, T)$, where

- S is the finite set of places, ranged over by s (possibly indexed),
- A is the finite set of labels, ranged over by ℓ (possibly indexed), which contains the silent label τ , and
- $T \subseteq S \times A \times (S \cup \{\theta\})$ is the finite set of transitions, ranged over by t .

Given a transition $t = (s, \ell, m)$, we use the notation $\bullet t$ to denote its pre-set s (which is a single place) of tokens to be consumed; $l(t)$ for its label ℓ , and t^\bullet to denote its post-set m (which is a place or the empty multiset θ) of tokens to be produced. Hence, transition t can be also represented as $\bullet t \xrightarrow{l(t)} t^\bullet$. \square

Graphically, a place is represented by a circle, a transition by a box, connected by a directed arc from the place in its pre-set and to the place in its post-set, if any.

Definition 3. (Marking, FSM net system) A multiset over S is called a marking. Given a marking m and a place s , we say that the place s contains $m(s)$ tokens, graphically represented by $m(s)$ bullets inside place s . An FSM net system $N(m_0)$ is a tuple (S, A, T, m_0) , where (S, A, T) is an FSM and m_0 is a marking over S , called the initial marking. We also say that $N(m_0)$ is a marked net. An FSM net system $N(m_0) = (S, A, T, m_0)$ is sequential if m_0 is a singleton, i.e., $|m_0| = 1$; while it is concurrent if m_0 is arbitrary. \square

Definition 4. (Firing sequence, reachable markings) Given an FSM $N = (S, A, T)$, a transition t is enabled at marking m , denoted by $m[t]$, if $\bullet t \subseteq m$. The execution (or firing) of t enabled at m produces the marking $m' = (m \ominus \bullet t) \oplus t^\bullet$. This is written usually as $m[t]m'$, but also as $m \xrightarrow{l(t)} m'$. A firing sequence starting at m is defined inductively as

- $m[\varepsilon]m$ is a firing sequence (where ε denotes an empty sequence of transitions) and
- if $m[\sigma]m'$ is a firing sequence and $m'[t]m''$, then $m[\sigma t]m''$ is a firing sequence.

If $\sigma = t_1 \dots t_n$ (for $n \geq 0$) and $m[\sigma]m'$ is a firing sequence, then there exist m_1, \dots, m_{n+1} such that $m = m_1[t_1]m_2[t_2] \dots m_n[t_n]m_{n+1} = m'$, and $\sigma = t_1 \dots t_n$ is called a transition sequence starting at m and ending at m' . The set of reachable markings from m is $\text{reach}(m) = \{m' \mid \exists \sigma. m[\sigma]m'\}$. \square

Example 1. By using the usual drawing convention for Petri nets, Figure 6 shows in (a) a sequential FSM, which performs a sequence of a 's and b 's, until it performs one c and then stops *successfully* (the token disappears in the end). A sequential FSM is such that any reachable marking is a singleton or empty. Hence, a sequential FSM is *safe* (or 1-bounded): each place in any reachable marking can hold one token at most. In (b), a concurrent FSM is depicted: it can perform a forever, interleaved with two occurrences of b , only: the two tokens in s_4 will eventually reach s_5 , which is a place representing unsuccessful termination (deadlock). A concurrent FSM is *k-bounded*, where k is the size of the initial marking: each place in any reachable marking can hold k tokens at most. Hence, the set $\text{reach}(m)$ is finite for any m . As a final comment, note that for each FSM $N = (S, A, T)$ and each place $s \in S$, the set $\text{reach}(s)$ is a subset of $S \cup \{\theta\}$. \square

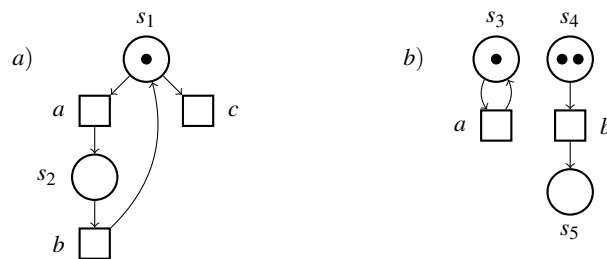


Fig. 6. A sequential finite-state machine in (a), and a concurrent finite-state machine in (b)

2.1 Branching Bisimulation on Places

In order to adapt the definition of branching bisimulation on LTSs [15] for unmarked FSMs, we need some auxiliary notation. We define relation $\xRightarrow{\varepsilon} \subseteq S \times (S \cup \{\theta\})$ as the reflexive and transitive closure of the silent transition relation; formally, $\forall s \in S, s \xRightarrow{\varepsilon} s$, denoting that each place can silently reach itself with zero steps; moreover, if $s \xRightarrow{\varepsilon} s'$ and $s' \xrightarrow{\tau} m$, then $s \xRightarrow{\varepsilon} m$, where m can be either the empty marking θ or a single place because of the shape of FSMs transitions.

Definition 5. (Branching bisimulation on places) Let $N = (S, A, T)$ be an FSM. A branching bisimulation is a relation $R \subseteq S \times S$ such that if $(s_1, s_2) \in R$ then for all $\ell \in A$

- $\forall m_1$ such that $s_1 \xrightarrow{\ell} m_1$,
 - either $\ell = \tau$ and $\exists m_2$ such that $s_2 \xRightarrow{\varepsilon} m_2$ with $(s_1, m_2) \in R$ and $(m_1, m_2) \in R$,
 - or $\exists s, m_2$ such that $s_2 \xRightarrow{\varepsilon} s \xrightarrow{\ell} m_2$ with $(s_1, s) \in R$ and either $m_1 = \theta = m_2$ or $(m_1, m_2) \in R$,
- and, symmetrically, $\forall m_2$ such that $s_2 \xrightarrow{\ell} m_2$.

Two places s and s' are branching bisimilar (or branching bisimulation equivalent), denoted by $s \approx s'$, if there exists a branching bisimulation R such that $(s, s') \in R$. \square

Now we provide a couple of examples showing that branching bisimulation equivalence is sensitive to the timing of choice and to the kind of termination.

Example 2. Consider Figure 7. It is not difficult to realize that $s_1 \not\approx s_3$. In fact, s_1 may reach s_2 by performing a ; s_3 can reply to this move in two different ways by reaching either s_4 or s_5 ; however, while s_2 offers both b and c , s_4 may perform only b and s_5 only c ; hence, s_4 and s_5 are not branching bisimilar to s_2 and so also s_1 is not branching bisimilar to s_3 . Moreover, also s_6 and s_8 are not branching bisimilar. In fact, s_6 can reach s_7 by performing a , while s_8 can reply by reaching the empty marking, but $\theta \not\approx s_7$. This example shows that branching bisimilarity is sensitive to the kind of termination of a process: even if s_7 is stuck, it is not equivalent to θ because the latter is the marking of a properly terminated process, while s_7 denotes a deadlock situation. \square

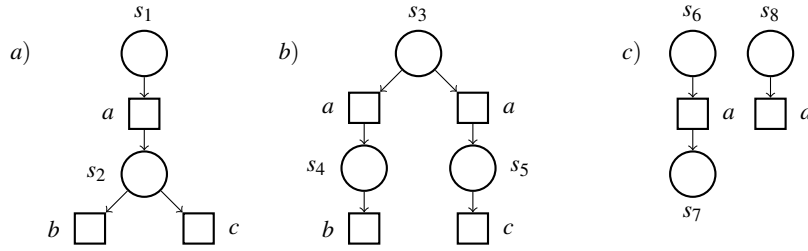


Fig. 7. Some non-branching bisimilar FSMs

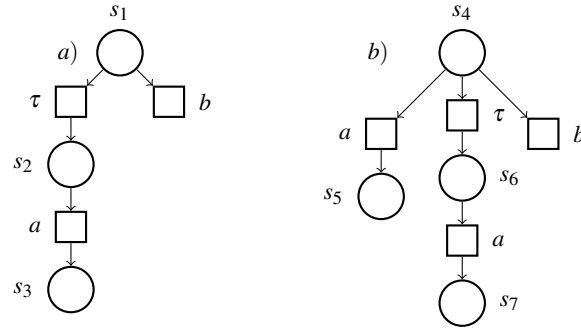


Fig. 8. Two non-branching bisimilar FSMs

Example 3. Consider the nets in Figure 8. It is not difficult to see that s_1 and s_4 are weakly bisimilar [32,21]. However, $s_1 \not\approx s_4$, because to transition $s_4 \xrightarrow{a} s_5$, place s_1 can only try to respond with $s_1 \xrightarrow{\tau} s_2 \xrightarrow{a} s_3$, but not all the conditions required are satisfied; in particular, $s_2 \not\approx s_4$, because only s_4 can do b . In fact, note that $s_1 \not\approx s_2$. Indeed, branching bisimulation equivalence ensures that, in response to the move $s_1 \xrightarrow{\ell} m_1$, s_2 replies with $s_2 \xrightarrow{\varepsilon} s \xrightarrow{\ell} m_2$, in such a way that all the places traversed in the silent path from s_2 to s are branching bisimilar (by the so-called *stuttering property* [15]). This condition is not required by weak bisimilarity [32,21]. \square

Remark 1. (Complexity) If m is the number of net transitions and n of places, checking whether two places of an FSM are branching bisimilar can be done in $O(m \log n)$ time, by adapting the algorithm in [31] for branching bisimulation on LTSs. \square

As branching bisimilarity is not a congruence for the CFM choice operator, we need a slightly more concrete equivalence relation, which can be proved to be the coarsest congruence, contained in \approx , for all the CFM operators.

Definition 6. (Rooted branching bisimulation on places) Let $N = (S, A, T)$ be an FSM. Two places s_1 and s_2 are rooted branching bisimilar, denoted $s_1 \approx_c s_2$, if $\forall \ell \in A$

- for all m_1 such that $s_1 \xrightarrow{\ell} m_1$, there exists m_2 such that $s_2 \xrightarrow{\ell} m_2$ and either $m_1 = \theta = m_2$ or $m_1 \approx m_2$,

- for all m_2 such that $s_2 \xrightarrow{\ell} m_2$, there exists m_1 such that $s_1 \xrightarrow{\ell} m_1$ and either $m_1 = \theta = m_2$ or $m_1 \approx m_2$. \square

The peculiar feature of \approx_c is that initial moves are matched as in strong bisimulation [32], while subsequent moves are matched as for branching bisimilarity. Therefore, rooted branching bisimilarity is a slightly finer variant of branching bisimilarity.

Proposition 1. [21] For each FSM $N = (S, A, T)$ with silent moves, relations \approx and \approx_c are equivalence relations. \square

2.2 (Rooted) Branching Team Equivalence

Definition 7. (Additive closure) Given an FSM net $N = (S, A, T)$ and a place relation $R \subseteq S \times S$, we define a marking relation $R^\oplus \subseteq \mathcal{M}(S) \times \mathcal{M}(S)$, called the additive closure of R , as the least relation induced by the following axiom and rule.

$$\frac{}{(\theta, \theta) \in R^\oplus} \quad \frac{(s_1, s_2) \in R \quad (m_1, m_2) \in R^\oplus}{(s_1 \oplus m_1, s_2 \oplus m_2) \in R^\oplus} \quad \square$$

Note that, by definition, two markings are related by R^\oplus only if they have the same size. An alternative way to define that two markings m_1 and m_2 are related by R^\oplus is to state that m_1 can be represented as $s_1 \oplus s_2 \oplus \dots \oplus s_k$, m_2 can be represented as $s'_1 \oplus s'_2 \oplus \dots \oplus s'_k$ and $(s_i, s'_i) \in R$ for $i = 1, \dots, k$.

Remark 2. (Additivity and subtractivity) The additive closure R^\oplus of a place relation R is *additive*: if $(m_1, m_2) \in R^\oplus$ and $(m'_1, m'_2) \in R^\oplus$, then $(m_1 \oplus m'_1, m_2 \oplus m'_2) \in R^\oplus$. Moreover, if R is an equivalence relation, then R^\oplus is *subtractive*: if $(m_1 \oplus m'_1, m_2 \oplus m'_2) \in R^\oplus$ and $(m_1, m_2) \in R^\oplus$, then $(m'_1, m'_2) \in R^\oplus$. (Proof in [20]). \square

Definition 8. (Rooted branching team equivalence) Given a finite-state machine $N = (S, A, T)$ and branching bisimulation equivalence \approx and rooted branching bisimulation equivalence \approx_c , we define branching team/rooted branching team equivalences as the relations \approx^\oplus and \approx_c^\oplus , respectively. \square

Of course, (rooted) branching team equivalence relates markings of the same size only; moreover, \approx^\oplus and \approx_c^\oplus are equivalence relations by Proposition 1, as the additive closure of an equivalence relation is also an equivalence relation.

Remark 3. (Complexity) Once the place relations \approx and \approx_c have been computed once and for all for the given net in $O(m \cdot \log n)$ time, the algorithm in [20] checks whether two markings m_1 and m_2 of equal size k are team equivalent in $O(k^2)$ time. \square

3 CFM: Syntax, Semantics, Axiomatization

3.1 Syntax

Let $Act = H \cup L \cup \{\tau\}$ be a finite set of actions, ranged over by μ , composed of two disjoint subsets L and H of low-level actions and high-level ones, respectively, and by

(Pref) $\frac{}{\mu.p \xrightarrow{\mu} p}$	(Cons) $\frac{p \xrightarrow{\mu} p'}{C \xrightarrow{\mu} p'} \quad C \doteq p$
(Sum ₁) $\frac{p \xrightarrow{\mu} p'}{p+q \xrightarrow{\mu} p'}$	(Sum ₂) $\frac{q \xrightarrow{\mu} q'}{p+q \xrightarrow{\mu} q'}$
(Par ₁) $\frac{p \xrightarrow{\mu} p'}{p q \xrightarrow{\mu} p' q}$	(Par ₂) $\frac{q \xrightarrow{\mu} q'}{p q \xrightarrow{\mu} p q'}$

Table 1. Structural operational LTS semantics for CFM

$dec(\mathbf{0}) = \theta$	$dec(\mu.p) = \{\mu.p\}$
$dec(p+p') = \{p+p'\}$	$dec(C) = \{C\}$
$dec(p p') = dec(p) \oplus dec(p')$	

Table 2. Decomposition function

the silent action τ . Let \mathcal{C} be a finite set of constants, disjoint from Act , ranged over by A, B, C, \dots . The CFM *terms* (where CFM is the acronym of *Concurrent Finite-state Machines*) are generated from actions and constants by the following abstract syntax (with three syntactic categories):

$$\begin{array}{ll}
s ::= \mathbf{0} \mid \mu.q \mid s+s & \text{guarded processes} \\
q ::= s \mid C & \text{sequential processes} \\
p ::= q \mid p|p & \text{parallel processes}
\end{array}$$

where $\mathbf{0}$ is the empty process, $\mu.q$ is a process where action μ prefixes the residual q ($\mu.-$ is the *action prefixing* operator), $s_1 + s_2$ denotes the alternative composition of s_1 and s_2 ($- + -$ is the *choice* operator), $p_1 | p_2$ denotes the asynchronous parallel composition of p_1 and p_2 and C is a constant. A constant C may be equipped with a definition, but this must be a guarded process, i.e., $C \doteq s$. A term p is a CFM *process* if each constant in $Const(p)$ (the set of constants used by p ; see [19] for details) is equipped with a defining equation (in category s). The set of CFM processes is denoted by \mathcal{P}_{CFM} , the set of its sequential processes, i.e., those in syntactic category q , by \mathcal{P}_{CFM}^{seq} and the set of its guarded processes, i.e., those in syntactic category s , by \mathcal{P}_{CFM}^{grd} . By $sort(p) \subseteq Act$ we denote the set of all the actions occurring in p and in the body of the constants in $Const(p)$.

3.2 Semantics

The interleaving LTS semantics for CFM is given by the structural operational rules in Table 1. Note that each state of the LTS is a CFM process. As an example, the LTS for $C|B$, with $C \doteq h.B$ and $B \doteq l.B$, is described in Figure 1(c). It is possible to prove that, for any p , the set of states reachable from p is finite [19].

$\llbracket \mathbf{0} \rrbracket_I = (\emptyset, \emptyset, \emptyset, \theta)$	
$\llbracket \mu.p \rrbracket_I = (S, A, T, \{\mu.p\})$	given $\llbracket p \rrbracket_I = (S', A', T', dec(p))$ and where $S = \{\mu.p\} \cup S', A = \{\mu\} \cup A', T = \{(\{\mu.p\}, \mu, dec(p))\} \cup T'$
$\llbracket p_1 + p_2 \rrbracket_I = (S, A, T, \{p_1 + p_2\})$	given $\llbracket p_i \rrbracket_I = (S_i, A_i, T_i, dec(p_i))$ for $i = 1, 2$, and where $S = \{p_1 + p_2\} \cup S'_1 \cup S'_2$, with, for $i = 1, 2$, $S'_i = \begin{cases} S_i & \exists t \in T_i \text{ such that } t^\bullet(p_i) > 0 \\ S_i \setminus \{p_i\} & \text{otherwise} \end{cases}$ $A = A_1 \cup A_2, T = T' \cup T'_1 \cup T'_2$, with, for $i = 1, 2$, $T'_i = \begin{cases} T_i & \exists t \in T_i . t^\bullet(p_i) > 0 \\ T_i \setminus \{t \in T_i \mid \bullet t(p_i) > 0\} & \text{otherwise} \end{cases}$ $T' = \{(\{p_1 + p_2\}, \mu, m) \mid (\{p_i\}, \mu, m) \in T_i, i = 1, 2\}$
$\llbracket C \rrbracket_I = (\{C\}, \emptyset, \emptyset, \{C\})$	if $C \in I$
$\llbracket C \rrbracket_I = (S, A, T, \{C\})$	if $C \notin I$, given $C \doteq p$ and $\llbracket p \rrbracket_{I \cup \{C\}} = (S', A', T', dec(p))$ $A = A', S = \{C\} \cup S''$, where $S'' = \begin{cases} S' & \exists t \in T' . t^\bullet(p) > 0 \\ S' \setminus \{p\} & \text{otherwise} \end{cases}$ $T = \{(\{C\}, \mu, m) \mid (\{p\}, \mu, m) \in T'\} \cup T''$ where $T'' = \begin{cases} T' & \exists t \in T' . t^\bullet(p) > 0 \\ T' \setminus \{t \in T' \mid \bullet t(p) > 0\} & \text{otherwise} \end{cases}$
$\llbracket p_1 \mid p_2 \rrbracket_I = (S, A, T, m_0)$	given $\llbracket p_i \rrbracket_I = (S_i, A_i, T_i, m_i)$ for $i = 1, 2$, and where $S = S_1 \cup S_2, A = A_1 \cup A_2, T = T_1 \cup T_2, m_0 = m_1 \oplus m_2$

Table 3. Denotational net semantics

The Petri net semantics for CFM is such that the set S_{CFM} of places is the set of the sequential CFM processes, without $\mathbf{0}$, i.e., $S_{CFM} = \mathcal{P}_{CFM}^{seq} \setminus \{\mathbf{0}\}$. The decomposition function $dec : \mathcal{P}_{CFM} \rightarrow \mathcal{M}(S_{CFM})$, mapping process terms to markings, is defined in Table 2. An easy induction proves that for any $p \in \mathcal{P}_{CFM}$, $dec(p)$ is a finite multiset of sequential processes. Note that, if $C \doteq \mathbf{0}$, then $\theta = dec(\mathbf{0}) \neq dec(C) = \{C\}$. Note also that $\theta = dec(\mathbf{0}) \neq dec(\mathbf{0} + \mathbf{0}) = \{\mathbf{0} + \mathbf{0}\}$, which is a deadlock place.

The net system $\llbracket p \rrbracket_{\emptyset}$ associated with process p is defined in a denotational style. The details of the construction are outlined in Table 3. The mapping is parametrized by a set of constants that have already been found while scanning p ; such a set is initially empty and it is used to avoid looping on recursive constants. The definition is syntax driven and also the places of the constructed net are syntactic objects, i.e., CFM sequential process terms. E.g., the net system $\llbracket a.\mathbf{0} \rrbracket_{\emptyset}$ is a net composed of one single marked place, namely process $a.\mathbf{0}$, and one single transition $(\{a.\mathbf{0}\}, a, \theta)$. A bit of care is needed in the rule for choice: in order to include only strictly necessary places and transitions, the initial place p_1 (or p_2) of the subnet $\llbracket p_1 \rrbracket_I$ (or $\llbracket p_2 \rrbracket_I$) is to be kept in the net for $p_1 + p_2$ only if there exists a transition reaching place p_1 (or p_2) in $\llbracket p_1 \rrbracket_I$ (or $\llbracket p_2 \rrbracket_I$), otherwise p_1 (or p_2) can be safely removed in the new net. Similarly, for the rule for constants. Examples

of the net construction for some CFM terms can be found in [19,21]. This net semantics has the following important properties:

- the semantics of a CFM process term p , i.e., the net $\llbracket p \rrbracket_\emptyset$, is a finite-state machine, whose initial marking is $dec(p)$; moreover,
- for any finite-state machine $N(m_0)$ (whose places and transitions are all reachable from m_0), there exists a CFM process term $p_{N(m_0)}$ such that its semantics $\llbracket p_{N(m_0)} \rrbracket_\emptyset$ is a net isomorphic to $N(m_0)$ (*Representability Theorem*).

Therefore, thanks to these results (proved in [19]), we can conclude that the CFM process algebra truly represents the class of finite-state machines, up to isomorphism. Hence, we can transpose the definition of (rooted) branching team equivalence from finite-state machines to CFM process terms in a simple way.

Definition 9. *Two CFM processes p and q are (rooted) branching team equivalent, denoted $p \approx_c^\oplus q$ and $p \approx_c^\oplus q$, respectively, if, by taking the (union of the) nets $\llbracket p \rrbracket_\emptyset$ and $\llbracket q \rrbracket_\emptyset$, we have that $dec(p) \approx_c^\oplus dec(q)$ and $dec(p) \approx_c^\oplus dec(q)$, respectively. \square*

Of course, for sequential CFM processes, (rooted) branching team equivalence \approx_c^\oplus (\approx_c^\oplus) coincides with (rooted) branching bisimilarity on places \approx (\approx_c).

Finally, as we are going to use an auxiliary restriction operator over CFM terms of the form $p \setminus H$, we define its net semantics as follows.

Definition 10. (Semantics of the auxiliary restriction operator) *Given a CFM process p , whose net semantics is $\llbracket p \rrbracket_\emptyset = (S, A, T, dec(p))$, we define the net associated to $p \setminus H$ as the net $\llbracket p \setminus H \rrbracket_\emptyset = (S', A', T', m)$ where*

- $S' = \{s \setminus H \mid s \in S\}$, i.e., each place is decorated by the restriction operator;
- $A' = A \setminus H$, i.e., $\{\mu \mid \mu \in A, \mu \notin H\}$;
- $T' = \{(\bullet t \setminus H, l(t), t^\bullet \setminus H) \mid t \in T, l(t) \notin H\}$;
- $m = dec(p) \setminus H$, where the restriction operator is applied element-wise to the places, if any, of the marking $dec(p)$. \square

As an example, the net for $C|B$, with $C \doteq h.B$ and $B \doteq l.B$, is outlined in Figure 2(a), while, assuming that H is composed of the single action h , the net for $(C|B) \setminus h$ is in Figure 2(b).

Branching team bisimilarity is a congruence for action prefixing, parallel composition, recursion (via process constants) and restriction, but not for the choice operator. For instance, $\tau.a.\mathbf{0} \approx_c^\oplus a.\mathbf{0}$, but $b.\mathbf{0} + \tau.a.\mathbf{0} \not\approx_c^\oplus b.\mathbf{0} + a.\mathbf{0}$. However, rooted branching team bisimilarity \approx_c^\oplus is a congruence also for the choice operator, so that it can be axiomatized. (More details on congruence properties and algebraic properties in [21].)

3.3 Axiomatization

In this section we recall the sound and complete, finite axiomatization of rooted branching team equivalence \approx_c^\oplus over CFM, outlined in [21], where the reader can find more

A1	Associativity	$x + (y + z) = (x + y) + z$	
A2	Commutativity	$x + y = y + x$	
A3	Identity	$x + \mathbf{0} = x$	if $x \neq \mathbf{0}$
A4	Idempotence	$x + x = x$	if $x \neq \mathbf{0}$
B $\mu.(\tau.(x + y) + x) = \mu.(x + y)$			
R1	Stuck		if $C \doteq \mathbf{0}$, then $C = \mathbf{0} + \mathbf{0}$
R2	Unfolding		if $C \doteq p \wedge p \neq \mathbf{0}$, then $C = p$
R3	Folding	if $C \doteq p\{C/x\} \wedge og(p) \wedge q = p\{q/x\}$, then $C = q$	
U1		if $C \doteq (\tau.x + p)\{C/x\} \wedge D \doteq (\tau.(p + \mathbf{0}) + p)\{D/x\}$	then $C = D$
U2		if $C \doteq (\tau.(\tau.x + p) + r)\{C/x\} \wedge D \doteq (\tau.(p + r) + r)\{D/x\}$	then $C = D$
U3		if $C \doteq (\tau.(\tau.q + p) + r)\{C/x\} \wedge D \doteq (\tau.(q + p) + r)\{D/x\}$,	
		x unguarded in $q \in \mathcal{P}_{CFM}^{grd}$,	then $C = D$
U4		if $C \doteq (\tau.(\tau.x + p) + \tau.(\tau.x + q) + r)\{C/x\}$	
		$\wedge D \doteq (\tau.(\tau.x + p + q) + r)\{D/x\}$	then $C = D$
P1	Associativity	$x (y z) = (x y) z$	
P2	Commutativity	$x y = y x$	
P3	Identity	$x \mathbf{0} = x$	

Table 4. Axioms for rooted branching team equivalence

detail. For simplicity's sake, the syntactic definition of *open* CFM (i.e., CFM with variables) is given with only one syntactic category, but each ground instantiation of an axiom must respect the syntactic definition of CFM given (by means of three syntactic categories) in Section 3.1; this means that we can write the axiom $x + (y + z) = (x + y) + z$, but it is invalid to instantiate it to $C + (a.\mathbf{0} + b.\mathbf{0}) = (C + a.\mathbf{0}) + b.\mathbf{0}$ because these are not legal CFM processes (the constant C cannot be used as a summand).

The set of axioms are outlined in Table 4. We call E the set of axioms $\{\mathbf{A1}, \mathbf{A2}, \mathbf{A3}, \mathbf{A4}, \mathbf{B}, \mathbf{R1}, \mathbf{R2}, \mathbf{R3}, \mathbf{U1}, \mathbf{U2}, \mathbf{U3}, \mathbf{U4}, \mathbf{P1}, \mathbf{P2}, \mathbf{P3}\}$. By the notation $E \vdash p = q$ we mean that there exists an equational deduction proof of the equality $p = q$, by using the axioms in E . Besides the usual equational deduction rules of reflexivity, symmetry, transitivity, substitutivity and instantiation (see, e.g., [18]), in order to deal with constants we need also the following recursion congruence rule:

$$\frac{p = q \wedge A \doteq p\{A/x\} \wedge B \doteq q\{B/x\}}{A = B}$$

where $p\{A/x\}$ denotes the open term p where all occurrences of the variable x are replaced by A . The axioms **A1-A4** are the usual axioms for choice where, however, **A3-A4** have the side condition $x \neq \mathbf{0}$; hence, it is not possible to prove $E \vdash \mathbf{0} + \mathbf{0} = \mathbf{0}$, as expected, because these two terms have a completely different semantics. Axiom **B**, originally in [15], is the axiom for rooted branching bisimilarity. The conditional ax-

ioms **R1-R3** are about process constants. Note that **R2** requires that p is not (equal to) $\mathbf{0}$ (condition $p \neq \mathbf{0}$). Note also that these conditional axioms are actually a finite collection of axioms, one for each constant definition: since the set \mathcal{C} of process constants is finite, the instances of **R1-R3** are finitely many. Note that axiom **R3** requires that the body p of the constant $C \doteq p\{C/x\}$ is *observationally guarded*, meaning that $C \not\stackrel{\mathbb{F}}{\rightarrow} C$. The axioms **{U1, U2, U3, U4}** are necessary to prove (soundness and) completeness for the whole of CFM, hence including observationally unguarded processes. Finally, we have axioms **P1-P3** for parallel composition.

Theorem 1. [21](**Sound and Complete**) *For every $p, q \in \mathcal{P}_{CFM}$, $E \vdash p = q$ if and only if $p \approx_c^\oplus q$.* \square

4 DNI: Distributed Non-Interference

4.1 Definition and Compositional Verification

Definition 11. (Distributed Non-Interference (DNI)) *A CFM process p enjoys the distributed non-interference property (DNI, for short) if for each p', p'' , reachable from p , and for each $h \in H$, such that $p' \xrightarrow{h} p''$, we have that $p' \setminus H \approx^\oplus p'' \setminus H$ holds.* \square

This intuitive and simple definition is somehow hybrid, because, on the one hand, it refers to reachable states p' and p'' in the LTS semantics, while, on the other hand, it requires that $p' \setminus H \approx^\oplus p'' \setminus H$, a condition that can be checked on the Petri net semantics. We can reformulate this definition in such a way that it refers only to the Petri net semantics, a reformulation that will be very useful in proving the following theorem.

Definition 12. (DNI on Petri nets) *Given a CFM process p and the FSM $\llbracket p \rrbracket_\emptyset$ and its low-observable subnet $\llbracket p \setminus H \rrbracket_\emptyset$, we say that p satisfies DNI if for each m_1, m_2 , reachable from $\text{dec}(p)$ in $\llbracket p \rrbracket_\emptyset$, and for each $h \in H$, such that $m_1 \xrightarrow{h} m_2$, we have that the two markings $m_1 \setminus H$ and $m_2 \setminus H$ of $\llbracket p \setminus H \rrbracket_\emptyset$ are branching team equivalent.* \square

Theorem 2. *A process p is not DNI if and only if there exists $p_i \in \text{dec}(p)$ such that p_i is not DNI.*

Proof. (\Rightarrow) *If p is not DNI, then there exist m_1, m_2 reachable from $\text{dec}(p)$, and a high-level action $h \in H$, such that $m_1 \xrightarrow{h} m_2$, but the two markings $m_1 \setminus H$ and $m_2 \setminus H$ of $\llbracket p \setminus H \rrbracket_\emptyset$ are not branching team equivalent. Because of the shape of FSM transitions, $m_1 \xrightarrow{h} m_2$ is a move that must be due to a net transition $s \xrightarrow{h} m$, so that $m_1 = s \oplus \bar{m}$ and $m_2 = m \oplus \bar{m}$. Hence, $m_1 \setminus H = s \setminus H \oplus \bar{m} \setminus H$ and $m_2 \setminus H = m \setminus H \oplus \bar{m} \setminus H$. If $m_1 \setminus H$ is not branching team equivalent to $m_2 \setminus H$, then necessarily $s \setminus H \not\approx m \setminus H$, because $\bar{m} \setminus H$ is certainly branching team equivalent to itself. Since m_1 is reachable from $\text{dec}(p)$, because of the shape of net transitions, there exists $p_i \in \text{dec}(p)$ such that s is reachable from p_i . Summing up, if p is not DNI, then we have found a sequential subprocess $p_i \in \text{dec}(p)$ which is not DNI, because p_i can reach s , transition $s \xrightarrow{h} m$ is executable and $s \setminus H \not\approx m \setminus H$.*

(\Leftarrow) *The converse implication is obvious.* \square

Corollary 1. *A CFM process p is DNI if and only if each $p_i \in \text{dom}(\text{dec}(p))$ is DNI.*

Proof. The thesis is just the contranominal of Theorem 2. \square

Hence, in order to check whether p is DNI, we first compute $\text{dec}(p)$ to single out its sequential components; then, we consider only the elements of $\text{dom}(\text{dec}(p))$, because it is necessary to check each sequential component only once. For instance, if $p = (q_1 \mid q_2) \mid (q_1 \mid q_2)$, then, assuming q_1 and q_2 sequential, $\text{dec}(p) = 2 \cdot q_1 \oplus 2 \cdot q_2$, so that $\text{dom}(\text{dec}(p)) = \{q_1, q_2\}$, and so we have simply to check whether q_1 and q_2 are DNI.

Corollary 2. *If $p \approx^\oplus q$ and p is DNI, then also q is DNI.*

Proof. By Corollary 1, p is DNI if and only if each $p_i \in \text{dom}(\text{dec}(p))$ is DNI. Since $p \approx^\oplus q$, there exists a \approx -relating bijection between $\text{dec}(p)$ and $\text{dec}(q)$. Therefore, the thesis is implied by the following obvious fact: given two sequential CFM processes p_i, q_j such that $p_i \approx q_j$, if p_i is DNI then q_j is DNI. In fact, if p_i is DNI, then for all s_i reachable from p_i , if $s_i \xrightarrow{h} m_i$, then $s_i \setminus H \approx m_i \setminus H$. Since $p_i \approx q_j$, for each such s_i there exists a suitable s_j reachable from p_j such that $s_i \approx s_j$ and so also $s_i \setminus H \approx s_j \setminus H$ by congruence w.r.t. restriction. Hence, since $s_i \xrightarrow{h} m_i$, there exists m_j such that $s_j \xrightarrow{h} m_j$ with $m_i \approx m_j$ and so also $m_i \setminus H \approx m_j \setminus H$ by congruence. It follows trivially by transitivity that $s_j \setminus H \approx m_j \setminus H$, as required. \square

4.2 Efficient Verification Based on a Structural Characterization

Because of the shape of finite-state machines and because of additivity (and subtractivity) of the behavioral relation \approx^\oplus (cf. Remark 2), a very efficient DNI verification can be done by the following polynomial algorithm.

Given the CFM process p , first compute the nets $\llbracket p \rrbracket_\emptyset = (S, A, T, \text{dec}(p))$ and the low-observable subnet $\llbracket p \setminus H \rrbracket_\emptyset$. Then, compute branching bisimilarity \approx on the places of the net $\llbracket p \setminus H \rrbracket_\emptyset$. Finally, for each $t \in T$ such that $l(t) \in H$, check whether $\bullet t \setminus H$ and $t^\bullet \setminus H$ are branching bisimilar in the net $\llbracket p \setminus H \rrbracket_\emptyset$: if this is the case for all the high-level transitions of $\llbracket p \rrbracket_\emptyset$, then p is DNI; on the contrary, if for some t the check fails (e.g., because $t^\bullet = \theta$), then p is not DNI.

The correctness of this polynomial algorithm follows by the fact that the net $\llbracket p \rrbracket_\emptyset$ is *dynamically reduced*, i.e., all the places and the transitions are reachable from the initial marking $\text{dec}(p)$. Its complexity is essentially related to the problem of computing \approx (cf. Remark 1) for $\llbracket p \setminus H \rrbracket_\emptyset$ and to give it a suitable adjacency matrix representation in order to check easily, for each high-level transition $t \in T$, whether the two relevant places $\bullet t \setminus H$ and $t^\bullet \setminus H$ are related by \approx .

4.3 Typing System

In this section we provide a syntactic characterization on CFM of a slight strengthening of DNI, which is based on *rooted* branching team equivalence \approx_c , rather than on \approx . With abuse of notation, also this property is called DNI: p is DNI if for each p' ,

$r(\mathbf{0}) = \mathbf{0}$	$r(h.p) = \mathbf{0} + \mathbf{0}$	$r(\mu.p) = \mu.r(p)$ if $\mu \in L \cup \{\tau\}$
$r(p+p') = r(p) + r(p')$	$r(p p') = r(p) r(p')$	$r(C) = C'$ with $C' \doteq r(p)$ if $C \doteq p$

Table 5. Restriction function

$In(\mathbf{0}) = \emptyset$	$In(\mu.p) = \{\mu\}$	$In(p+p') = In(p) \cup In(p')$
$In(p p') = In(p) \cup In(p')$	$In(C) = In(p)$ if $C \doteq p$	

Table 6. Initial function

reachable from p , and for each $h \in H$, such that $p' \xrightarrow{h} p''$ for some p'' , we have that $p' \setminus H \approx_c^\oplus p'' \setminus H$ holds.

This syntactic characterization is based on a typing proof system, which exploits the axiomatization of rooted branching team equivalence \approx_c^\oplus in Table 4. Let us first define an auxiliary operator $r(-)$, which takes in input a CFM process p and returns a CFM process p' obtained from p by pruning its high-level actions, so that $sort(p') \subseteq L \cup \{\tau\}$. Its definition is outlined in Table 5, where $r(h.p) = \mathbf{0} + \mathbf{0}$ because the pruning of $h.p$ is to be considered as a deadlock place. For instance, consider $C \doteq h.l.C + l.C$; then $r(C) = C'$, where $C' \doteq \mathbf{0} + \mathbf{0} + l.C'$. Similarly, if $D \doteq l.h.D$, then $r(D) = D'$ where $D' \doteq l.(\mathbf{0} + \mathbf{0})$. It is a trivial observation that the net semantics of $r(p)$ is isomorphic to the (reachable part of the) net semantics of $p \setminus H$ for any CFM process p . Moreover, we also define the set of initial actions of p , denoted by $In(p)$, whose definition is outlined in Table 6.

Then we define a typing system on CFM processes such that, if a process p is typed, then p satisfies DNI and, moreover, if p is DNI, then there exists a process p' , obtained by possibly reordering its summands via axioms **A₁** – **A₄**, which is typed. The typing system is outlined in Table 7, where we are using a set I of already scanned constants as an additional parameter (in order to avoid looping on recursively defined constants). A process p is typed if $(p, \emptyset) : dni$ is derivable by the rules; this is often simply denoted by $p : dni$. The need for the argument I is clear in the two rules for the constant C : if C has been already scanned (i.e. $C \in I$), then C is typed; otherwise it is necessary to check that its body p is typed (or possibly a sequential process p' obtained by reordering its summands, i.e., such that $\{\mathbf{A}_1 - \mathbf{A}_4\} \vdash p = p'$), using a set enriched by C (condition $(p', I \cup \{C\}) : dni$).

We are implicitly assuming that the formation rules in this table respect the syntax of CFM; this means that, for instance, the second rule and the fourth one require also that p and q are actually guarded processes because this is the case in $p + q$. Note that in the second rule we are requiring that $In(p + q)$ is a subset of $L \cup \{\tau\}$, so that, as no high-level action is executable by p and q as their first action, no DNI check is required at this level of the syntax.

The interesting cases are the three rules about the action prefixing operator and the rule about the choice operator when a summand starts with a high-level action. The fifth rule in Table 7 states that if p is typed, then also $\mu.p$ is typed, for each $\mu \in L \cup \{\tau\}$.

	$(p, I) : dni, (q, I) : dni, In(p+q) \subseteq L \cup \{\tau\}$	
$(\mathbf{0}, I) : dni$	$(p+q, I) : dni$	
$(p, I) : dni, (q, I) : dni$	$(p, I) : dni, p \neq \mathbf{0}, (q, I) : dni, E \vdash r(p) = r(q)$	
$(p q, I) : dni$	$(h.p+q, I) : dni$	
$(p, I) : dni \quad \mu \in L \cup \{\tau\}$	$E \vdash p = \mathbf{0} + \mathbf{0}$	$\emptyset \neq In(p) \subseteq H, (p, I) : dni$
$(\mu.p, I) : dni$	$(h.p, I) : dni$	$(h.p, I) : dni$
$C \in I$	$C \notin I, C \doteq p, \{\mathbf{A}_1 - \mathbf{A}_4\} \vdash p = p', (p', I \cup \{C\}) : dni$	
$(C, I) : dni$	$(C, I) : dni$	

Table 7. Typing proof system

The sixth rule states that if p is a deadlock place (condition $E \vdash p = \mathbf{0} + \mathbf{0}$), then $h.p$ is typed, for each $h \in H$; note that p cannot be $\mathbf{0}$, because $h.\mathbf{0}$ is not secure (the low-observable marking before performing h has size one, while that after h has size zero). The seventh rule states that if p is a typed term that can perform at least one action, but only high-level actions initially (condition $\emptyset \neq In(p) \subseteq H$), then $h.p$ is typed. It is interesting to observe that $h.\tau.(\mathbf{0} + \mathbf{0})$, which is DNI according to Definition 12 based on branching team bisimilarity \approx^\oplus , is not DNI according to the current definition based on *rooted* branching team bisimilarity \approx_c^\oplus , and indeed $h.\tau.(\mathbf{0} + \mathbf{0})$ cannot be typed.

The fourth rule in Table 7 about the choice operator states that if we prefix a generic typed process p with a high-level action h , then it is necessary that an additional typed summand q is present such that $p \setminus H$ and $q \setminus H$ are rooted branching team equivalent; this semantic condition is expressed syntactically by requiring that $E \vdash r(p) = r(q)$, thanks to Theorem 1. Note that the condition $p \neq \mathbf{0}$ is necessary, because $h.\mathbf{0} + \mathbf{0}$ is not secure; on the contrary, $h.\tau.\mathbf{0} + \tau.\mathbf{0}$ is typed because $E \vdash \tau.\mathbf{0} = \tau.\mathbf{0}$. It is interesting to observe that this rule about the choice operator covers also the case when many summands start with high-level actions. For instance, $h.l.l.\mathbf{0} + (h.l.(h.l.\mathbf{0} + l.\mathbf{0}) + l.l.\mathbf{0})$ is typed because $l.l.\mathbf{0}$ and $h.l.(h.l.\mathbf{0} + l.\mathbf{0}) + l.l.\mathbf{0}$ are typed and $E \vdash r(l.l.\mathbf{0}) = r(h.l.(h.l.\mathbf{0} + l.\mathbf{0}) + l.l.\mathbf{0})$. This strategy is intuitively correct (i.e., it respects DNI) because, by checking that the subterm $h.l.(h.l.\mathbf{0} + l.\mathbf{0}) + l.l.\mathbf{0}$ is typed/DNI, we can safely ignore the other summand $h.l.l.\mathbf{0}$, as it does not contribute any initial low-visible behavior.

Now we want to prove that the typing system characterizes DNI correctly. To get convinced of this result, let us consider a couple of paradigmatic examples. The process constant $C \doteq h.l.C + l.C$ is DNI because, if $C \xrightarrow{h} l.C$, then $C \setminus H \approx_c (l.C) \setminus H$, which is equivalent to say that $r(C) \approx_c r(l.C)$. Not surprisingly, we can type it. $(C, \emptyset) : dni$ holds, because $(h.l.C + l.C, \{C\}) : dni$ holds, because, in turn, $(l.C, \{C\}) : dni$ and $E \vdash r(l.C) = r(l.C)$. On the contrary, $D \doteq l.h.D$ is not DNI because if $h.D \xrightarrow{h} D$, then $h.D \setminus H \not\approx_c D \setminus H$ as $h.D \setminus H$ is stuck, while $D \setminus H$ can perform l . As a matter of fact, D is not typed:

to get $(D, \emptyset) : \text{dni}$, we need $(l.h.D, \{D\}) : \text{dni}$, which would require $(h.D, \{D\}) : \text{dni}$, which is false, as no rule for high-level prefixing is applicable.

Proposition 2. *For each CFM process p , if $p : \text{dni}$, then p satisfies DNI.*

Proof. By induction on the proof of $(p, \emptyset) : \text{dni}$. □

Note that the converse implication is not always true, because of the ordering of summands. For instance, $l.\mathbf{0} + h.l.\mathbf{0}$, which is clearly DNI, is not typed. However, $\{\mathbf{A}_1 - \mathbf{A}_4\} \vdash l.\mathbf{0} + h.l.\mathbf{0} = h.l.\mathbf{0} + l.\mathbf{0}$, where the process $h.l.\mathbf{0} + l.\mathbf{0}$ is typed.

Proposition 3. *For each CFM process p , if p is DNI, then there exists p' such that $\{\mathbf{A}_1 - \mathbf{A}_4\} \vdash p = p'$ and $p' : \text{dni}$.*

Proof. The proof proceeds by induction on the structure of p , using a set I of already scanned constants, in order to avoid looping on recursively defined constants. In other words, our induction is on the net semantics for p , as defined in Table 3, where I is initially empty and the base cases are when $I = \text{Const}(p)$.

The base cases are $(\mathbf{0}, I)$ and (C, I) with $C \in I$. Both cases are trivial as these two terms generate nets that cannot do anything, so that $(\mathbf{0}, I)$ and (C, I) are DNI and also typed, as required.

Case $(l.p, I)$: assume $(l.p, I)$ is DNI; then, also (p, I) is DNI, and so, by induction $(p', I) : \text{dni}$ for some p' such that $\{\mathbf{A}_1 - \mathbf{A}_4\} \vdash p = p'$. Then, $\{\mathbf{A}_1 - \mathbf{A}_4\} \vdash l.p = l.p'$ by substitutivity and moreover $(l.p', I) : \text{dni}$ by the fifth rule in Table 7,

Case $(\tau.p, I)$: as above.

Case $(h.p, I)$: assume $(h.p, I)$ is DNI; then, this is possible only if either p is a deadlock place or $(p, I) : \text{dni}$ and $\emptyset \neq \text{In}(p) \subseteq H$. In the former case, we can prove that $E \vdash p = \mathbf{0} + \mathbf{0}$ because the axiomatization is complete, so that we can use the sixth rule in Table 7 to derive that $(h.p, I) : \text{dni}$. In the latter case, by induction, we know that $(p', I) : \text{dni}$ for some p' such that $\{\mathbf{A}_1 - \mathbf{A}_4\} \vdash p = p'$. Then, $\{\mathbf{A}_1 - \mathbf{A}_4\} \vdash p = p'$ implies that $\emptyset \neq \text{In}(p') \subseteq H$. Hence, we can use the seventh rule to derive $(h.p', I) : \text{dni}$, where $\{\mathbf{A}_1 - \mathbf{A}_4\} \vdash h.p = h.p'$ follows by substitutivity.

Case (C, I) with $C \notin I$ and $C \doteq p$: assume (C, I) is DNI. This means that also $(p, I \cup \{C\})$ is DNI. By induction, we have that $(p', I \cup \{C\}) : \text{dni}$ for some p' such that $\{\mathbf{A}_1 - \mathbf{A}_4\} \vdash p = p'$. Now $(C, I) : \text{dni}$ follows by the ninth rule in Table 7.

The only non-trivial inductive case is about summation. Assume that $(p_1 + p_2, I)$ is DNI. If $\text{In}(p_1 + p_2) \subseteq L \cup \{\tau\}$, then both (p_1, I) and (p_2, I) are DNI; by induction, there exist $(p'_i, I) : \text{dni}$ such that $\{\mathbf{A}_1 - \mathbf{A}_4\} \vdash p_i = p'_i$ for $i = 1, 2$. Hence, $\{\mathbf{A}_1 - \mathbf{A}_4\} \vdash p_1 + p_2 = p'_1 + p'_2$ by substitutivity; note that also $\text{In}(p'_1 + p'_2) \subseteq L \cup \{\tau\}$, so that also $(p'_1 + p'_2, I) : \text{dni}$ by the second rule in Table 7, as required. On the contrary, if there exists $h \in \text{In}(p_1 + p_2)$, then there exist q_1 and q_2 such that $\{\mathbf{A}_1 - \mathbf{A}_4\} \vdash p_1 + p_2 = h.q_1 + q_2$. Since also $(h.q_1 + q_2, I)$ is DNI by (the adaptation of) Corollary 2 (to \approx_c), it is necessary that $q_1 \setminus H \approx_c q_2 \setminus H$, which is equivalent to $r(q_1) \approx_c r(q_2)$, in turn equivalent to stating that $E \vdash r(q_1) = r(q_2)$. Moreover, the DNI property has to be satisfied by (q_1, I) and (q_2, I) . Hence, by induction, there exist q'_1, q'_2 such that $\{\mathbf{A}_1 - \mathbf{A}_4\} \vdash q_i = q'_i$ and $(q'_i, I) : \text{dni}$, for $i = 1, 2$. By transitivity and substitutivity, we have $\{\mathbf{A}_1 - \mathbf{A}_4\} \vdash p_1 + p_2 = h.q'_1 + q'_2$. Moreover, since $E \vdash r(q_1) = r(q_2)$, we also have that $E \vdash r(q'_1) = r(q'_2)$, and so, by the proof system, $(h.q'_1 + q'_2, I) : \text{dni}$, as required. □

5 Related Literature

The non-interference problem in a distributed model of computation was first addressed in [6,7]. There, the Petri net class of *unlabeled elementary net systems* (i.e., safe, contact-free nets) was used to describe some information flow security properties, notably *BNDC* (Bisimulation Non-Deducibility on Composition) and *SBNDC* (Strong BNDC), based on interleaving bisimilarity. These two properties do coincide on unlabeled elementary net systems, but actually *SBNDC* is stronger on *labeled* FSMs; for instance, the CFM process $l.h.l.\mathbf{0} + l.\mathbf{0} + l.l.\mathbf{0}$ is BNDC [13], while it is not *SBNDC*; this explains why we have chosen *SBNDC* as our starting point towards the formulation of DNI.

In [7] it is shown that BNDC can be characterized as a structural property of the elementary net concerning two special classes of places: *causal places*, i.e., places for which there are an incoming high transition and an outgoing low transition; and *conflict places*, i.e., places for which there are both low-level and high-level outgoing transitions. The main theorem in [7] states that if places of these types are not present or cannot be reached from the initial marking, then the net is BNDC. Starting from [7], Baldan and Carraro in [2] provide a *causal characterization* of BNDC on safe Petri nets (with injective labeling), in terms of the unfolding semantics. Nonetheless, the BNDC property is based on an interleaving semantics and the true-concurrency semantics is used only to provide efficient algorithms to check the possible presence of interferences. For unbounded *partially observed* finite P/T nets (i.e., net with unobservable high transitions and *injective labeling* on low transitions), Best et al. proved in [4] that *SBNDC* is decidable.

Another paper studying non-interference over a distributed model is [8]. Bérard et al. study a form of non-interference similar to SNNI [13] for *High-level Message Sequence Charts* (HMSC), a scenario language for the description of distributed systems, based on composition of partial orders. The model allows for unbounded parallelism and the observable semantics they use is interleaving and linear-time (i.e., language-based). They prove that non-interference is undecidable in general, while it becomes decidable for regular behaviors, or for weaker variants based on observing local behavior only. Also in this case, however, the truly-concurrent semantics based on partial orders is used mainly for algorithmic purpose; in fact, the authors shows that their decidable properties are PSPACE-complete, with procedures that never compute the interleaving semantics of the original HMSC.

On the contrary, Baldan et al. in [3] define security policies, intuitively similar to non-interference, where causality is used as a first-class concept. So, their notion of non-interference is more restrictive than those based on interleaving semantics. However, their approach is linear-time, while non-interference is usually defined on a branching-time semantics, i.e., on various forms of bisimulation. Moreover, it seems overly restrictive; for instance, the CFM process $h.l.\mathbf{0} + l.\mathbf{0}$, which is DNI and so non-interferent according to our approach, would be considered insecure in their approach.

Finally, Joshua Guttman and Paul Rowe proposed [27,28] a model of distributed computation, called *frame* (essentially a directed graph whose nodes are sequential systems, described by LTSs, and whose arcs are directed communication channels), onto which they define some form of intransitive non-interference, defined by exploiting the partial order description of the system executions. Hence, also their proposal advocates

the use of truly-concurrent semantic models for defining non-interference.

Acknowledgments: This paper is a revised continuation of the conference paper [22], extending the approach to Petri nets with silent transitions.

References

1. C. Autant, Z. Belmesk, Ph. Schnoebelen, Strong bisimilarity on nets revisited, in Procs. PARLE'91, vol. II: Parallel Languages, LNCS 506, 295-312, Springer, 1991.
2. P. Baldan, A. Carraro, A causal view on non-interference, *Funda. Infor.* 140(1):1-38, 2015.
3. P. Baldan, A. Beggiato, A. Lluch-Lafuente, Many-to-many information flow policies, 19th IFIP WG 6.1 *International Conference on Coordination Models and Languages*, LNCS 10319, 159-177, Springer, 2017.
4. E. Best, Ph. Darondeau, R. Gorrieri, On the decidability of non-interference over unbounded Petri nets, in Procs *8th International Workshop on Security Issues in Concurrency (SecCo 2010)*, EPTCS 51, 16-33, 2010.
5. E. Best, R. Devillers, A. Kiehn, L. Pomello, Concurrent bisimulations in Petri nets, *Acta Informatica* 28(3): 231-264, 1991.
6. N. Busi, R. Gorrieri, A survey on non-interference with Petri nets, *Lectures on Concurrency and Petri Nets*, LNCS 3098, 328-344, Springer, 2003.
7. N. Busi, R. Gorrieri, Structural non-interference in elementary and trace nets, *Mathematical Structures in Computer Science* 19(6): 1065-1090, 2009.
8. B. Bérard, L. Hélouët, J. Mullins, Non-interference in partial order models, in Procs ACSD'15, IEEE Computer Society, 80-89, 2015.
9. S. Christensen, *Decidability and Decomposition in Process Algebra*, Ph.D. Thesis, University of Edinburgh (1993)
10. P. Degano, R. De Nicola, U. Montanari, Partial ordering descriptions and observations of nondeterministic concurrent systems, in (J. W. de Bakker, W. P. de Roever, G. Rozenberg, Eds.) *Linear Time, Branching Time and Partial Order in Logics and Models for Concurrency*, LNCS 354, 438-466, Springer, 1989.
11. J. Esparza, Decidability and complexity of Petri net problems: An introduction, *Lectures on Petri Nets I: Basic Models*, LNCS1491, 374-428, Springer, 1998.
12. R. Focardi, R. Gorrieri. A Classification of Security Properties. *Journal of Computer Security* 3(1):5-33, 1995.
13. R. Focardi, R. Gorrieri, Classification of Security Properties (Part I: Information Flow), in *Foundations of Security Analysis and Design I*, LNCS 2171, 331-396, Springer, 2001.
14. R.J. van Glabbeek, U. Goltz, Equivalence notions for concurrent systems and refinement of actions, in Procs. MFCS'89, LNCS 379, 237-248, Springer, 1989.
15. R.J. van Glabbeek, W.P. Weijland, Branching time and abstraction in bisimulation semantics, *Journal of the ACM* 43(3):555-600, 1996.
16. R.J. van Glabbeek, Structure preserving bisimilarity: supporting an operational Petri net semantics of CCSP, in *Correct System Design*, LNCS 9360, 99-130, Springer, 2015.
17. J.A. Goguen, J. Meseguer. Security Policy and Security Models. Proc. of Symposium on Security and Privacy (SSP'82), IEEE CS Press, pp. 11-20, 1982.
18. R. Gorrieri, C. Versari, *Introduction to Concurrency Theory: Transition Systems and CCS*, EATCS Texts in Theoretical Computer Science, Springer, 2015.
19. R. Gorrieri, *Process Algebras for Petri Nets: The Alphabetization of Distributed Systems*, EATCS Monographs in Theoretical Computer Science, Springer, 2017.

20. R. Gorrieri, Team bisimilarity, and its associated modal logic, for BPP nets, *Acta Informatica*, 2020. DOI: 10.1007/s00236-020-00377-4
21. R. Gorrieri, Team equivalences for finite-state machines with silent moves, *Information and Computation* 275:104603, 2020. DOI:10.1016/j.ic.2020.104603
22. R. Gorrieri, Interleaving vs true concurrency: some instructive security examples, in *Procs. Petri Nets 2020*, LNCS 12152, 131-152, Springer, 2020.
23. R. Gorrieri, A study on team bisimulation and h-team bisimulation for BPP nets, *Theoretical Computer Science* 897:83-113, 2022.
24. R. Gorrieri, Place bisimilarity is decidable, indeed!, arXiv:2104.01392, april 2021.
25. R. Gorrieri, Branching place bisimilarity: A decidable behavioral equivalence for finite Petri nets with silent moves, in *Procs. 41st Formal Techniques for Distributed Objects, Components, and Systems (FORTE'21)*, LNCS 12719, 80-99, Springer, 2021.
26. R. Gorrieri, True concurrency can be easy, CoRR, arXiv:2211.00557, November 2022, <https://arxiv.org/abs/2211.00557>
27. Joshua D. Guttman, Paul D. Rowe, A cut principle for information flow, in *Procs. IEEE Computer Security Foundations (CSF 2015)*, 107-121, IEEE Computer Society Press, 2015.
28. Joshua D. Guttman, Information flow, distributed systems, and refinement, by example, *Concurrency, Security, and Puzzles: Essays Dedicated to Andrew William Roscoe on the Occasion of His 60th Birthday*, LNCS 10160, 88-103, Springer, 2017.
29. C.A.R. Hoare, *Communicating Sequential Processes*, Prentice-Hall International Series in Computer Science, 1985.
30. J.E. Hopcroft, R. Motwani, J.D. Ullman, *Introduction to Automata Theory, Languages and Computation*, 2nd ed., Addison-Wesley, 2001.
31. D.N. Jansen, J.F. Groote, J.J.A. Keiren, A. Wijs. An $O(m \cdot \log n)$ algorithm for branching bisimilarity on labelled transition systems, in *Procs. TACAS'20*, LNCS 12079, 3-20, Springer, 2020.
32. R. Milner. *Communication and Concurrency*, Prentice-Hall, 1989.
33. M. Nielsen, P.S. Thiagarajan, Degrees of non-determinism and concurrency: A Petri net view, in *Procs. of the Fourth Conference on Foundations of Software Technology and Theoretical Computer Science (FSTTCS'84)*, LNCS 181, 89-117, Springer, 1984.
34. J.L. Peterson, *Petri Net Theory and the Modeling of Systems*, Prentice-Hall, 1981.
35. W. Reisig, *Petri Nets: An Introduction*, EATCS Monographs in Theor. Comp. Science, Springer, 1985.
36. P. Ryan, Mathematical models of computer security, in *Foundations of Security Analysis and Design I*, LNCS 2171, 1-61, Springer, 2001.
37. P. Ryan, S. Schneider. Process algebra and noninterference, in *Proc. of 12th Computer Security Foundations Workshop (CSFW)*, 214-227, IEEE CS Press, 1999.
38. A. Rabinovich, B.A. Trakhtenbrot, Behavior structures and nets, *Fundamenta Informaticae* 11(4):357-404, 1988.