

State preparation of AGP on a quantum computer without number projection

Armin Khamoshi

Department of Physics and Astronomy, Rice University, Houston, Texas 77005, USA

Rishab Dutta

Department of Chemistry, Rice University, Houston, Texas 77005, USA

Gustavo E. Scuseria

*Department of Chemistry, Rice University, Houston, Texas 77005, USA and
Department of Physics and Astronomy, Rice University, Houston, Texas 77005, USA*

(Dated: January 24, 2023)

The antisymmetrized geminal power (AGP) is equivalent to the number projected Bardeen–Cooper–Schrieffer (PBCS) wavefunction. It is also an elementary symmetric polynomial (ESP) state. We generalize previous research on deterministically implementing the Dicke state to a state preparation algorithm for an ESP state, or equivalently AGP, on a quantum computer. Our method is deterministic and has polynomial cost, and it does not rely on number symmetry breaking and restoration. We also show that our circuit is equivalent to a disentangled unitary paired coupled cluster operator and a layer of unitary Jastrow operator acting on a single Slater determinant. The method presented herein highlights the ability of disentangled unitary coupled cluster to capture non-trivial entanglement properties that are hardly accessible with traditional Hartree–Fock based electronic structure methods.

I. INTRODUCTION

State preparation is a crucial part of any quantum algorithm. For variational quantum algorithms in physics and chemistry, preparation of the ansatz usually starts from a single Slater determinant (SD), such as the Hartree-Fock (HF) wavefunction. Preparing HF is relatively straightforward and inexpensive, even on noisy intermediate-scale quantum (NISQ) era devices [1–3]. Generally, any single Slater determinant can be prepared by applying the Thouless theorem using a series of Givens rotations on a quantum computer [3–6]. Preparation of the HF state is the starting point for many correlated methods, including variants of unitary coupled-cluster theory (uCC) on a quantum computer which is an active area of research [7].

State preparation, however, may not be as straightforward when the initial state is not a single Slater determinant. Examples of such states include Bethe ansatz [8–10], and geminal-based wavefunctions [11–13], which have a long history in physics and chemistry. Antisymmetrized geminal power (AGP), also known as the projected Bardeen–Cooper–Schrieffer (PBCS) wavefunction [14], is perhaps the simplest of all geminal-based wavefunctions. Recent research has shown that AGP could be a great initial state for correlated methods, especially for the strong correlation regime [11, 12, 15–24]. Nevertheless, it has been challenging to find a deterministic and efficient circuit that prepares AGP exactly on a quantum computer. The reason for this stems in part from the fact that AGP is a superposition of $\binom{M}{N}$ number of states, where M and N are the number of paired orbitals and electron pairs respectively; as we shall see later, the amplitude of every state uniquely corresponds to the product of one of N -combinations of a set of gem-

inal coefficients $\{\eta_1, \dots, \eta_M\}$ [25]. As such, some of the more general state preparation algorithms [26–29] scale exponentially in the number of qubits or depth for implementing AGP on a quantum computer.

To overcome the challenges of efficiently computing overlaps over AGP on a quantum computer, some of the authors of this paper have proposed a symmetry breaking and restoration approach [11, 12]. Since AGP is formally equivalent to PBCS, we can prepare the BCS state efficiently and project the overlaps via gauge integration [11], phase estimation [30], or post-selection [12]. Symmetry-projection is intrinsically a non-unitary operation [14]. Thus, the aforementioned methods necessarily rely on ancilla qubits or collapse of the wavefunction to project number symmetry. While for all practical purposes, these are workable and efficient solutions, we would like to propose an alternative method in this paper.

We present a unitary circuit that implements AGP on a quantum computer without number projection. The key idea is that the AGP wavefunction can be written as an *elementary symmetry polynomial* (ESP) state wherein the wavefunction obeys a special recursive decomposition formula [24, 25]. This allows us to devise a divide-and-conquer algorithm that evolves a single Slater determinant state into AGP at polynomial cost. Our implementation follows the work of Ref. [31], which introduced a deterministic algorithm to implement the Dicke state on a quantum computer. As we shall see, the Dicke state is a special case of AGP where all geminal coefficients take the same value. This is known as *extreme* AGP in quantum chemistry [32]. Thus, our method can be viewed as generalizing the preparation of the Dicke state onto preparing ESP states on a quantum computer. That is, instead of having all determinants share the same am-

plitude as in the Dicke state, we make the amplitude of each determinant uniquely correspond to a term in a given elementary symmetric polynomial.

We also show that our circuit is equivalent to a disentangled form of the unitary paired coupled cluster (upCC) with generalized doubles and quadruples [33–40], and a unitary one-body Jastrow part acting on an initial SD state. There has been much discussion in the literature about the accuracy and advantages of the disentangled unitary coupled cluster ansatz [7, 36, 41, 42]. This work presents one advantage of the disentangled upCC compared to the traditional CC methods based on a single Slater determinant. The traditional methods often break down in the strongly correlated regime, especially when the many-body interactions are attractive [20, 43–45]. In such cases, the remedy is often to allow the particle-number symmetry to break at the mean-field and later restore it [20, 46–48]. Here we show that there exists a particular ordering of the disentangled uCC based on a single Slater determinant that contains the number symmetry restored wavefunction, namely AGP, without breaking number symmetry.

From the viewpoint of symmetry breaking and restoration methods on a quantum computer, our algorithm provides a practical advantage in having fewer measurements compared to number projection. This is particularly advantageous for cases in which we want to deliberately break and restore multiple symmetries atop of AGP [12], e.g. spin angular momentum, since the measurement cost of restoring additional symmetries could easily mount. In essence, our method trades having a deterministic algorithm to prepare a number-symmetry restored wavefunction in exchange for a deeper circuit at $\mathcal{O}(M^2)$ cost.

It is noteworthy that all reduced density matrices (RDMs) over AGP can be computed efficiently on a classical computer [24, 25]. The advantage of implementing AGP on a quantum computer transpires for post-AGP correlated methods, such as variants of unitary coupled cluster theory, that are costly on classical computers but can be done efficiently on a quantum computer [11, 12, 22]. Similarly, the ESP state preparation introduced in this paper could be applicable as the first step for more sophisticated algorithms in quantum information theory [49–51].

The rest of this paper is organized as follows: In Sec. II, we discuss the ESP state and its equivalence with AGP. Sec. III A presents a deterministic preparation scheme for AGP in the seniority-zero implementation before extending it for seniority nonzero systems in Sec. III B. Finally, we conclude with a discussion in Sec. IV.

II. PRELIMINARIES

A. Elementary symmetric polynomial states

An elementary symmetric polynomial (ESP) of degree n in m variables, $\mathbf{x} = \{x_1, x_2, \dots, x_m\}$, can be defined

as

$$S_n^m(\mathbf{x}) = \sum_{1 \leq p_1 < \dots < p_n \leq m} x_{p_1} \cdots x_{p_n}, \quad 1 \leq n \leq m, \quad (1)$$

where $S_0^m(\mathbf{x}) = 1$, and $S_n^m(\mathbf{x}) = 0$ for $n > m$. The right-hand side is a linear combination of all $\binom{m}{n}$ distinct ways we can pick n variables from \mathbf{x} and multiply them. ESPs are building blocks of symmetric polynomials and feature remarkable analytic properties [52–54]. Of main interest to this paper is the following recursion formula [55]

$$S_n^m(\mathbf{x}) = x_p S_{n-1}^{m-1}(\mathbf{x} \setminus x_p) + S_n^{m-1}(\mathbf{x} \setminus x_p), \quad (2)$$

where $\mathbf{x} \setminus x_p$ represents exclusion of x_p from the full set \mathbf{x} . Eq. (2) says any $S_n^m(\mathbf{x})$ can be decomposed as a sum of two ESPs—one in which all summands contain the arbitrary variable x_p , i.e. $x_p S_{n-1}^{m-1}(\mathbf{x} \setminus x_p)$, and one that excludes it, i.e. $S_n^{m-1}(\mathbf{x} \setminus x_p)$. Eq. (2) is key to computing ESPs efficiently via a divide-and-conquer algorithm with a binary tree structure [55–57]. Hereafter, we drop the parentheses in the ESP expression to avoid a profusion of variables and indices in later sections.

While in many instances $\mathbf{x} = \{x_1, \dots, x_m\}$ is assumed to be a set of complex numbers, one can envision an ESP over a set of operators as well [24]. For example, consider the set of Pauli raising operators in an m -qubit system, $\{\sigma_p^+\}_{p=1}^m$, where $\sigma_p^+ \equiv (X_p - iY_p)/2$, and X_p and Y_p are the standard Pauli matrices acting on qubit p . Then, we can let

$$\hat{S}_n^m = \sum_{1 \leq p_1 < \dots < p_n \leq m} (x_{p_1} \sigma_{p_1}^+) \cdots (x_{p_n} \sigma_{p_n}^+) \quad (3)$$

to be an ESP of operators over the set $\{\hat{x}_1 \sigma_1^+, \dots, \hat{x}_m \sigma_m^+\}$, where we put a hat on the left-hand side of Eq. (3) to distinguish it from the ESP of scalars Eq. (1).

We now define the ESP state. Let m be the number of qubits and let n denote the number of individual qubits in the $|1\rangle = \binom{0}{1}$ state. Then, the ESP state of degree n over m qubits with coefficients $\{x_1, \dots, x_m\}$, $|S_n^m\rangle$, can be defined as

$$|S_n^m\rangle \equiv \frac{1}{\sqrt{S_n^m}} \sum_{1 \leq p_1 < \dots < p_n \leq m} x_{p_1} \cdots x_{p_n} |0 \cdots 1_{p_n} \cdots 1_{p_2} \cdots 1_{p_1} \cdots 0\rangle, \quad (4)$$

where $1/\sqrt{S_n^m}$ is the normalization factor derived from

$$S_n^m = \langle S_n^m | S_n^m \rangle = \sum_{1 \leq p_1 < \dots < p_n \leq m} |x_{p_1}|^2 \cdots |x_{p_n}|^2. \quad (5)$$

To put it differently, if we let \hat{S}_n^m be the operator defined in Eq. (3), then the ESP state is equivalent to

$$|S_n^m\rangle = \frac{\hat{S}_n^m}{\sqrt{S_n^m}} |0\rangle, \quad (6)$$

where we define $|\mathbf{0}\rangle \equiv |0\rangle^{\otimes m}$.

Similar to Eq. (2), we can recursively split the ESP state, $|S_n^m\rangle$, into a superposition of two orthogonal states. For a given p, q such that $1 \leq q \leq n < p \leq m$, we can write

$$\begin{aligned} |S_q^p\rangle &= \sqrt{\frac{S_q^{p-1}}{S_q^p}} x_{m-p+1} |S_{q-1}^{p-1}\rangle |1\rangle \\ &+ \sqrt{\frac{S_q^{p-1}}{S_q^p}} |S_q^{p-1}\rangle |0\rangle, \end{aligned} \quad (7)$$

where we have used the shorthand notation $|x\rangle|y\rangle$ to represent $|x\rangle \otimes |y\rangle$. Here, in every recursion step of Eq. (7), we choose to do the splitting at the rightmost qubit for brevity, and for other reasons that will become apparent in future sections. It should be noted that the splitting itself can be done at any arbitrary qubit in a manner analogous to Eq. (2).

Having defined a general ESP state, we highlight a special case in which $x_p = 1$ for all p . The resulting state is equivalent to the Dicke state [58], which we can write as follows

$$|D_n^m\rangle = \sqrt{\frac{1}{\binom{m}{n}}} \sum_{1 \leq p_1 < \dots < p_n \leq m} |0 \dots 1_{p_1} \dots 1_{p_2} \dots 1_{p_1} \dots 0\rangle. \quad (8)$$

The recursion relation of the Dicke state, a special case of Eq. (7), has been applied to design some of its preparation algorithms [31, 59, 60].

B. AGP as an ESP state

We now turn our attention to AGP as an ESP state. AGP is a geminal-based wavefunction, where a geminal is defined as the wavefunction of electron pairs in quantum chemistry [32, 61, 62]. A geminal creation operator in its natural orbital basis can be defined as

$$\Gamma^\dagger = \sum_{p=1}^M \eta_p \mathbf{P}_p^\dagger, \quad (9)$$

where $\mathbf{P}_p^\dagger = c_p^\dagger c_{\bar{p}}^\dagger$ is the pair creation operator, and $c_p^\dagger, c_{\bar{p}}^\dagger$ represent fermion creation operators acting on orbitals p and its paired companion \bar{p} respectively [12, 20]; M is the total number of paired orbitals. The pairing operators $\mathbf{P}_p^\dagger, \mathbf{N}_p, \mathbf{P}_p$ are the generators of an $su(2)$ Lie algebra,

$$[\mathbf{P}_p, \mathbf{P}_q^\dagger] = \delta_{pq} (1 - \mathbf{N}_q), \quad (10a)$$

$$[\mathbf{N}_p, \mathbf{P}_q^\dagger] = 2\delta_{pq} \mathbf{P}_q^\dagger, \quad (10b)$$

where $\mathbf{N}_p = c_p^\dagger c_p + c_{\bar{p}}^\dagger c_{\bar{p}}$ is the pair number operator. The geminal coefficients $\{\eta_p\}$ are, in general, complex-valued numbers

$$\eta_p = |\eta_p| e^{i\alpha_p}, \quad (11)$$

where $|\eta_p|$ is the geminal coefficient magnitude and $e^{i\alpha_p}$ is the corresponding phase.

Neglecting the normalization factor, the AGP wavefunction can be defined as

$$|\text{AGP}\rangle = \frac{1}{N!} \left(\Gamma^\dagger\right)^N |\text{vac}\rangle, \quad (12)$$

where N is the number of pairs, i.e. $2N$ fermions, and $|\text{vac}\rangle$ is the physical vacuum. By expanding the expression for the geminal power $(\Gamma^\dagger)^N / N!$, we get an ESP operator

$$\hat{S}_N^M = \sum_{1 \leq p_1 < \dots < p_N \leq M} (\eta_{p_1} \mathbf{P}_{p_1}^\dagger) \dots (\eta_{p_N} \mathbf{P}_{p_N}^\dagger), \quad (13)$$

of degree N over the set $\{\eta_p \mathbf{P}_p^\dagger\}_{p=1}^M$. Clearly, this implies AGP can be expressed as an ESP state based on Eq. (3). The ESP structure of AGP has been applied to develop efficient algorithms for computing AGP expectation values [24, 25] and generate new AGPs from a reference AGP [24].

AGP encoding on a quantum computer can be achieved in several ways: If one is not interested in breaking pairs, in a so called seniority-zero implementation [63], we can let the qubit states $|0\rangle_p$ and $|1\rangle_p$ represent empty and doubly-occupied paired orbital p respectively, and map

$$|\text{vac}\rangle \mapsto |0\rangle^{\otimes M}, \quad (14a)$$

$$\mathbf{P}_p^\dagger \mapsto \sigma_p^+, \quad (14b)$$

$$\mathbf{N}_p \mapsto I - Z_p. \quad (14c)$$

where I and Z are the identity and the standard Pauli Z operator respectively. Eq. (14) are collectively known as the paired encoding [11, 12, 38].

If we are interested in incorporating broken pair excitations atop of AGP, we can resort to the fermionic encoding. This can be achieved via the Jordan-Wigner (JW) transformation [64] for example, where we let every qubit represent the occupation number of the spin-orbitals p or \bar{p} , and map

$$|\text{vac}\rangle \mapsto |0\rangle^{\otimes 2M}, \quad (15a)$$

$$c_p^\dagger \mapsto \sigma_p^+ \prod_n Z_n, \quad (15b)$$

$$c_{\bar{p}}^\dagger \mapsto \sigma_{\bar{p}}^+ \prod_n Z_n, \quad (15c)$$

where $\prod_n Z_n$ represents the corresponding JW strings for each fermionic creation operator. This is the same approach used in Ref. [12] to correlate AGP via a disentangled unitary coupled cluster method.

We could also envision a different formulation of AGP in terms of qubits or spin-1/2 systems which can be used to treat general Hamiltonians that get mapped to the $su(2)$ algebra. We shall elaborate more on this approach in Sec. III B 2.

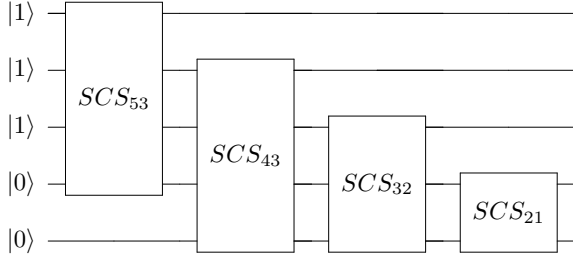


FIG. 1. Construction of U_{MN} in terms of smaller *split and cyclic shift* (SCS) circuits following Eq. (18), shown here for $U_{53} |00111\rangle$ as an example.

III. ALGORITHM

In this section, we generalize the algorithm of Ref. [31] to prepare any AGP on a quantum computer. For clarity, we first formulate the algorithm for the paired encoding implementation in Sec. III A. We then generalize AGP preparation to nonzero seniority in Sec. III B.

A. AGP preparation

Consider the paired encoding of Sec. II B. Our initial state is a SD of fermion pairs

$$|\text{SD}\rangle = |0\rangle^{\otimes M-N} |1\rangle^{\otimes N}. \quad (16)$$

Our goal is to create a unitary operator, \mathcal{U} , that evolves Eq. (16) into AGP. \mathcal{U} is composed of two parts: First, a unitary U_{MN} that prepares an AGP state with the geminal coefficient magnitudes only; second, a unitary Jastrow operator, \mathcal{J} , that adds the corresponding phase of each geminal coefficient. Together, $\mathcal{U} = \mathcal{J} U_{MN}$ creates an ESP state of degree N over M qubits with a set of complex-valued coefficients, $\{\eta_p\}$, as desired,

$$|\text{AGP}\rangle = \mathcal{U} |\text{SD}\rangle = \mathcal{J} U_{MN} |\text{SD}\rangle. \quad (17)$$

In what follows, we first show how U_{MN} can be constructed from smaller unitaries, down to elementary gates, following similar steps as in Ref. [31]. Although our proof strategy for this algorithm is by construction, proofs of Ref. [31] can be trivially extended to our method by using the splitting property of Eq. (7) and the unitary rotation angles introduced in this section. Later in this section, we turn our attention to the Jastrow operator.

The building blocks of U_{MN} are the so-called *split and cyclic shift* (SCS) operators [31]

$$U_{MN} = \prod_{p=2}^N SCS_{pp-1} \prod_{p=N+1}^M SCS_{pN}, \quad (18)$$

which together implement a bottom-up preparation of an ESP state based on a nested application of Eq. (7). Fig. (1) provides a schematic example of how U_{MN} is

constructed in terms of the SCS operators for $M = 5$ and $N = 3$. For a given $1 \leq q \leq N < p \leq M$, we want SCS_{pq} to implement Eq. (7). To do that, we define

$$\theta_{pq} \equiv |\eta_{M-p+1}| \sqrt{\frac{S_{q-1}^{p-1}}{S_q^p}}, \quad (19)$$

where the ESPs of the right-hand side are over $\{|\eta_p|^2\}$. We want SCS_{pq} to act as follows

$$SCS_{pq} |0\rangle^{\otimes q-r+1} |1\rangle^{\otimes r} = \theta_{pr} |0\rangle^{\otimes q-r+1} |1\rangle^{\otimes r} + \sqrt{1 - \theta_{pr}^2} |0\rangle^{\otimes q-r} |1\rangle^{\otimes r} |0\rangle, \quad (20)$$

while acting as an identity when encountering other states through Eq. (18). Put in simple words, when SCS_{pq} encounters a state composed of r consecutive number of $|1\rangle$ qubits, say $|011 \dots 1\rangle$, it splits it into a superposition of two states: The original state with amplitude θ_{pr} and another state with amplitude $\sqrt{1 - \theta_{pr}^2}$ such that the r consecutive $|1\rangle$ qubits have been shifted by exactly one qubit, $|11 \dots 10\rangle$; that is $SCS_{pq} |011 \dots 1\rangle = \theta_{pr} |011 \dots 1\rangle + \sqrt{1 - \theta_{pr}^2} |11 \dots 10\rangle$. When SCS_{pq} acts on $|00 \dots 0\rangle$ or $|11 \dots 1\rangle$, it acts as an identity. A less obvious point is that when U_{MN} acts on the initial SD state of Eq. (16), the ordering in Eq. (18) guarantees each SCS_{pq} operator will encounter only the aforementioned states.

Note that if we let $\eta_p = 1$ for all p , we recover the Dicke state rotation angles, $\theta_{pq} = \sqrt{q/p}$, of Ref. [31].

We now discuss how SCS_{pq} can be implemented. Any given SCS_{pq} could encounter any of the states containing $r \in \{0, \dots, q\}$ consecutive $|1\rangle$ qubits. Therefore, it must be a product of at most q smaller unitaries that carry out the so-called *split and shift* for each of those possibilities. An SCS_{pq} operator can be written as a product of a two-qubit unitary V_{p1} and a sequence of three-qubit operators V_{pr} ($1 < r \leq q$) as follows [31]

$$SCS_{pq} = V_{pq} \dots V_{p1}. \quad (21)$$

Following Eq. (18), we want V_{p1} to act non-trivially when

$$V_{p1} |01\rangle = \theta_{p1} |01\rangle + \sqrt{1 - \theta_{p1}^2} |10\rangle, \quad (22)$$

and as an identity elsewhere, where the indices for the two qubits are $M - p + 1$ and $M - p + 2$ respectively. This can be implemented using the well-known Givens rotation circuit as shown in Fig. (2a). Written in the second quantized language, V_{p1} is nothing but

$$V_{p1} = e^{\tau_{p1} (\mathbf{P}_{M-p+2}^\dagger \mathbf{P}_{M-p+1} - \text{h.c.})/2}, \quad (23)$$

where $\tau_{pq} = 2 \arccos(\theta_{pq})$. Indeed, this is a doubles excitation in unitary paired coupled cluster theory with general indices [11, 37–40], also known as *pair-hoppers* [11, 23].

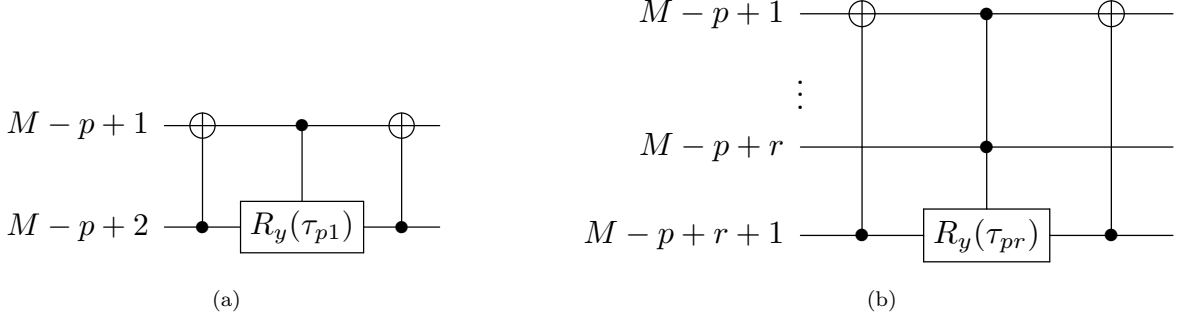


FIG. 2. Circuits for the two-body and three-body generalized excitations from Eq. (21). The left and right panels show the construction of the two-qubit gate V_{p1} and the three-qubit gate V_{pr} respectively. The scalars inside R_y gates are $\tau_{pr} = 2 \arccos(\theta_{pr})$, where $\{\theta_{pr}\}$ are defined in Eq. (20).

Similarly, for all V_{pr} ($1 < r \leq q$) we want

$$V_{pr} |0\rangle|1\rangle^{\otimes r} = \theta_{pr} |0\rangle|1\rangle^{\otimes r} + \sqrt{1 - \theta_{pr}^2} |1\rangle^{\otimes r}|0\rangle, \quad (24)$$

and identity otherwise, where the indices of the qubits above run from $M-p+1$ to $M-p+r+1$. It is sufficient for V_{pr} to act on the rightmost and the last two qubits only, as it is guaranteed that the $|1\rangle$ qubits appear contiguously by the construction of Eq. (18) acting on the initial SD. As such, the circuit for V_{pr} can be constructed as shown in Fig. (2b). Although this is a three-qubit circuit, in practice, it can be further decomposed in terms of one- and two-qubit gates only [31].

Written in the second quantized language, V_{pr} corresponds to

$$V_{pr} = e^{\tau_{pr} (\mathbf{P}_{M-p+r+1}^\dagger \mathbf{N}_{M-p+r} \mathbf{P}_{M-p+1} - \text{h.c.})/4}, \quad (25)$$

where $\tau_{pr} = 2 \arccos(\theta_{pr})$ as before. Since $\mathbf{N}_p = 2\mathbf{P}_p^\dagger \mathbf{P}_p$ in the seniority-zero space, this is equivalent to a quadruples excitation in upCC theory.

In summary, U_{MN} acting on an SD prepares an AGP of N pairs in M paired orbitals with the magnitudes

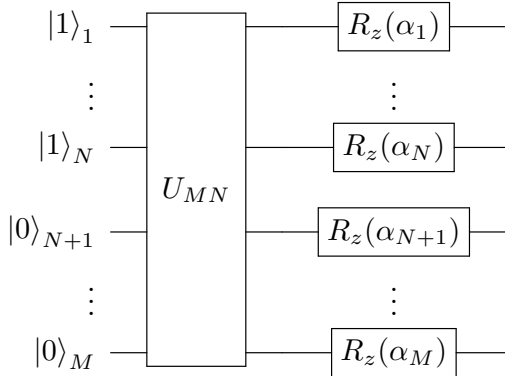


FIG. 3. Complete circuit illustration for preparing the ESP state $|S_N^M\rangle$, which equivalently prepares AGP with N pairs in M orbitals in the paired encoding framework.

of geminal coefficients $\{|\eta_p|\}$. Since the building blocks of U_{MN} are the doubles and quadruples excitations, we have shown a disentangled form of generalized upCC that transforms a single Slater determinant into a AGP state. The circuit discussed so far uses M qubits and has a depth that scales as $\mathcal{O}(M^2)$. We have analytically worked out a step-by-step example of how U_{MN} is constructed and acts on the initial SD state in Appendix A.

We will now discuss incorporating the geminal phases with the unitary \mathcal{J} operator. The geminal phases often provide valuable physical insights; for example, extreme AGPs with specific geminal phase patterns are useful in describing frustrated spin systems [65–68]. The explicit form of the Jastrow operator \mathcal{J} is

$$\mathcal{J} = e^{i\mathbf{J}_1} = \prod_{p=1}^M e^{i\alpha_p \mathbf{N}_p/2}, \quad (26)$$

where

$$\mathbf{J}_1 = \frac{1}{2} \sum_{p=1}^M \alpha_p \mathbf{N}_p. \quad (27)$$

The unitary operator $e^{i\mathbf{J}_1}$ transforms an AGP to another

$$|\widetilde{\text{AGP}}\rangle = e^{i\mathbf{J}_1} |\text{AGP}\rangle, \quad (28)$$

with each geminal coefficient transformed as $\tilde{\eta}_p = e^{i\alpha_p} \eta_p$ [23, 24]. The operators in Eq. (26) can be realized by applying parallel R_z gates with $\mathcal{O}(1)$ depth

$$e^{i\alpha_p \mathbf{N}_p/2} \propto e^{-i\alpha_p Z_p/2} = R_z(\alpha_p), \quad (29)$$

with an inconsequential global phase. The $R_z(\alpha_p)$ gate is defined as

$$R_z(\alpha_p) = \begin{pmatrix} e^{-i\alpha_p/2} & 0 \\ 0 & e^{i\alpha_p/2} \end{pmatrix}. \quad (30)$$

Thus, we conclude the AGP preparation algorithm under the paired encoding approach. We illustrate the complete AGP circuit in Fig. (3).

The rotation angles of Eq. (19) play a central role in our preparation algorithm and they are tailored in such a way that U_{MN} prepares an AGP, or equivalently, an ESP state. However, it is possible to introduce more variational flexibility to U_{MN} by modifying Eq. (19). We show a way to achieve this in Appendix B leading to a preparation scheme for a different geminal-based wavefunction that is inspired by AGP which we refer to as a binary tree state.

B. Nonzero seniority

In this section, we discuss two ways we may extend AGP beyond the seniority-zero space. The first approach relaxes the paired encoding of Eq. (14) and implements AGP in the larger $2M$ qubit space. This approach is one-to-one correspondent to the conventional formulation of AGP in the fermionic space, hence we refer to it as the *fermionic* implementation. The second approach defines AGP directly in the $su(2)$ space, and so, it can be identified as AGP of spin-1/2's or qubits. We refer to this second formulation as *qubit*-AGP.

1. Fermionic implementation

Consider the JW transformation as formulated in Sec. II B. Our goal is to relax the paired encoding for AGP and find a circuit that identically corresponds to its fermionic encoding. To this end, we allocate $2M$ qubits so that half of the qubits represent the “no-bar” spin orbitals, $\{p\}$, while the other half represents their paired orbital companions, $\{\bar{p}\}$. Our strategy to implement AGP in this space is simple: We use the same U_{MN} circuit introduced in the previous section to bring the qubits associated with orbitals $\{p\}$ into an ESP state Then we apply a series of CNOTs targeting qubits $\{\bar{p}\}$ to entangle orbitals p and \bar{p} [39] with the same geminal coefficient. Expressed mathematically, we can write

$$|\text{AGP}\rangle = \prod_{p=1}^M \text{CNOT}_{p,\bar{p}}|0\rangle^{\otimes M} \otimes (U_{MN}|0\rangle^{\otimes M-N}|0\rangle^{\otimes N}). \quad (31)$$

where we assigned the first M qubits to orbitals $\{p\}$ and the second half to $\{\bar{p}\}$ for illustrative simplicity. Fig. (4) shows the schematic circuit.

Indeed, the choice for labeling the qubits is arbitrary. We could have alternatively chosen to interlace the qubits so that the qubits corresponding to orbitals p and \bar{p} are placed next to each other as in Ref. [12]. For so doing, we would need to modify the circuit of Eq. (31) accordingly, or we could append the original circuit with a series of SWAP gates to move the logical qubits to any desired positions. If we choose to interlace the qubits, we arrive

at a more familiar expression for AGP at the end

$$|\text{AGP}\rangle = \frac{1}{\sqrt{\langle \text{AGP} | \text{AGP} \rangle}} \sum_{1 \leq p_1 < \dots < p_N \leq M} \eta_{p_1} \dots \eta_{p_N} |0 \dots 1_{\bar{p}_N} 1_{p_N} \dots 1_{\bar{p}_2} 1_{p_2} \dots 1_{\bar{p}_1} 1_{p_1} \dots 0\rangle. \quad (32)$$

Comparing this with Eq. (4) reveals that the seniority nonzero implementation of AGP can too be viewed as an ESP state, wherein there are $2M$ qubits of which $2N$ pairwise qubits are “on” in all $\binom{M}{N}$ possible combinations.

The method presented here can be appended by an orbital rotation operator to further express AGP in other bases. This allows for an AGP-optimization scheme on a quantum computer which has been discussed at length in Ref. [12].

2. Qubit-AGP

There is yet another approach to defining AGP for general Hamiltonians mapped to the $su(2)$ algebra. Instead of aiming to implement AGP that is dual to its fermionic counterpart (i.e. the approach in the preceding section), we make the observation that the mapped Hamiltonian *itself* is a seniority-zero or spin-1/2 Hamiltonian, which allows us to define a *spin*- or *qubit*-AGP in this space.

To be precise, consider a generic two-body *ab initio* Hamiltonian

$$H = \sum_{pq} h_{pq} c_p^\dagger c_q + \frac{1}{4} \sum_{pqrs} v_{pqrs} c_p^\dagger c_q^\dagger c_s c_r, \quad (33)$$

where h_{pq} and v_{pqrs} are the standard one- and two-electron integrals, and the indices run from 0 to $2M$ and are associated with the spin-orbitals. After mapping Eq. (33) to the pairing algebra via the JW transformation, we get a Hamiltonian of the form

$$H = \sum_{pq} \tilde{h}_{pq} \mathbf{P}_p^\dagger \mathbf{P}_q \hat{\Phi}_{pq} + \sum_{pqrs} \tilde{v}_{pqrs} \mathbf{P}_p^\dagger \mathbf{P}_q^\dagger \mathbf{P}_s \mathbf{P}_r \hat{\Phi}_{pqsr}, \quad (34)$$

where $\hat{\Phi}$ contains the appropriate JW strings associated with each term; the relationship between \tilde{h}_{pq} , \tilde{v}_{pqrs} and h_{pq} , v_{pqrs} have been worked out in Ref. [69]. Clearly, Eq. (34) is a seniority-zero Hamiltonian. Thus, we can define the qubit-AGP (qAGP) wavefunction as follows:

$$|\text{qAGP}\rangle = \frac{1}{\sqrt{\langle \text{qAGP} | \text{qAGP} \rangle}} \sum_{1 \leq p_1 < \dots < p_{2N} \leq 2M} \eta_{p_1} \dots \eta_{p_{2N}} |0 \dots 1_{p_{2N}} \dots 1_{p_2} \dots 1_{p_1} \dots 0\rangle. \quad (35)$$

where we have $2M$ qubits, each representing the occupation numbers of a spin-orbital. There are $2M$ geminal coefficients, and the wavefunction is a superposition of $\binom{2M}{2N}$ states. In contrast to the approach in the preceding

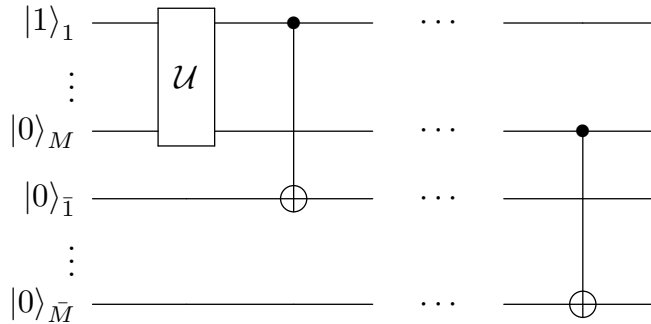


FIG. 4. Circuits to implement AGP for seniority nonzero applications. First, $\mathcal{U} = \mathcal{J} U_{MN}$ is applied to bring the qubits associated with orbitals $\{p\}$ into an ESP state, as discussed in Sec. III A. Then, a series of CNOT gates are applied to entangle the qubits associated with $\{\bar{p}\}$ with their paired companions, as discussed in Sec. III B.

section, there is no pairing scheme defined in Eq. (35), which is easy to see by comparing it to Eq. (32). The BCS wavefunction corresponding to Eq. (35), which we refer to as qubit-BCS (qBCS), can be shown to be

$$|\text{qBCS}\rangle \propto \prod_{p=1}^{2M} (1 + \eta_p \mathbf{P}_p^\dagger) |\text{vac}\rangle \mapsto \bigotimes_{p=1}^{2M} \left(\cos(\beta_p) |0\rangle_p + e^{i\alpha_p} \sin(\beta_p) |1\rangle_p \right), \quad (36)$$

where $\beta_p = \tan^{-1}(|\eta_p|)$. We remark that qBCS is the same initial state used in the qubit coupled cluster (QCC) method [70–72].

State preparation of qAGP without number projection can be realized trivially by applying $U_{2M, 2N}$ to the initial state of $|0\rangle^{\otimes 2M-2N} |1\rangle^{\otimes 2N}$ followed by a layer \mathcal{J} applied to all qubits.

IV. DISCUSSION

We have presented a deterministic state preparation algorithm for AGP on a quantum computer. We achieved this by treating AGP as an ESP state, which allowed us to design a divide-and-conquer circuit that generalizes previous research on preparing the Dicke state on a quantum computer. Our circuit can be divided into three broad parts corresponding to implementing (i) the magnitudes of geminal coefficients, (ii) their phases, and (iii) extensions of AGP beyond the seniority-zero space.

The geminal magnitude circuit for AGP can be implemented with a circuit of $\mathcal{O}(M^2)$ depth using $\mathcal{O}(M)$ qubits. We have shown that the corresponding unitary operator is equivalent to a disentangled upCC ansatz with generalized indices whose ordering and amplitudes are tailored to the ESP structure of AGP. The phases of geminal coefficients are then implemented with parallel R_z gates at $\mathcal{O}(1)$ depth, which we have shown to be equivalent to a one-body unitary Jastrow operator in

the second quantized formulation. Lastly, we discussed two approaches to defining AGP for a generic seniority nonzero space: The first relaxes the paired encoding of the seniority-zero space and is identical to the conventional formulation of AGP in terms of individual fermions. We call this approach the fermionic implementation. In the second approach, we defined AGP directly in the language of qubits (or spins) for Hamiltonians that get mapped to the $su(2)$ algebra by the JW transformation or similar methods. We referred to this second approach as qubit-AGP.

In contrast to past work on AGP-based quantum algorithms, where AGP was prepared as PBCS, our preparation scheme has no number projection step. This provides a new perspective on preparing symmetry-restored wavefunctions by a unitary evolution on a quantum computer. While our work presents one such example for the $U(1)$ gauge symmetry which includes particle number, it invites the exploration of circuits that prepare other symmetry-restored wavefunctions, such as those of S^2 or S_z , on a quantum computer. Similarly, because of the relation between our AGP preparation scheme and disentangled uCC, this work may help design uCC ansatz that includes the type of entanglement that originates from symmetry breaking and restoration.

AGP is part of a broader family of geminal product states [33, 73], and state preparations of geminal-based wavefunctions are not straightforward in general. Our work opens the possibility of efficiently preparing more sophisticated geminal-based states on a quantum computer. In quantum computing and information theory, the Dicke state is known for diverse applications [49–51, 74–77]. Since AGP, or equivalently ESP state, is a generalization of the Dicke state, we expect this work to be useful in areas beyond quantum chemistry.

V. ACKNOWLEDGMENTS

This work was supported by the U.S. Department of Energy under Award No. DE-SC0019374. G.E.S. is a

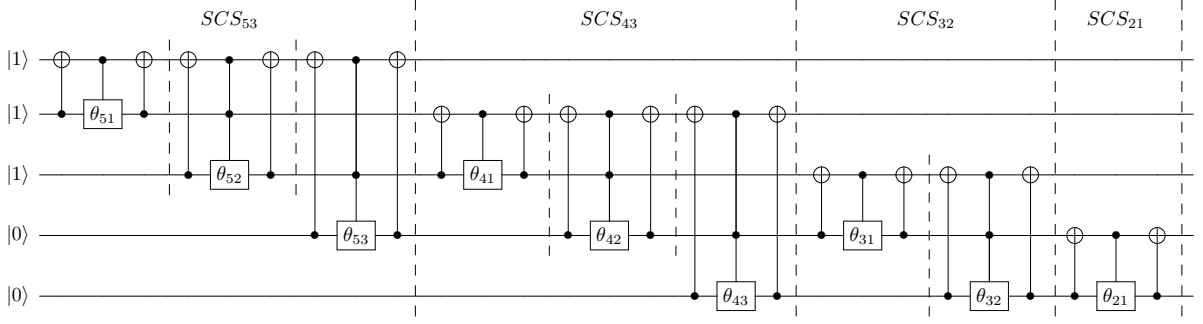


FIG. 5. Circuit for preparing $U_{53} |00111\rangle$, following Eq. (17). U_{53} is reconstructed in terms of smaller unitary blocks, as discussed in Sec. III A. Here, each box with θ_{pq} represents a $R_y(2 \arccos \theta_{pq})$ gate, with the scalars θ_{pq} defined in Eq. (19).

Welch Foundation Chair (C-0036).

Appendix A: Unitary evolution example

We will illustrate preparing $U_{MN} |SD\rangle$ in the paired encoding approach with an example by choosing $M = 5$ and $N = 3$. First, the operator U_{53} is constructed according to Eq. (18), also illustrated in Fig. (1). Then the various SCS operators are constructed according to Eq. (21). The entire circuit for $U_{53} |00111\rangle$ is shown in Fig. (5) and provides an opportunity for the reader to compare it with the circuit illustration for Dicke state $|D_3^5\rangle$ in Ref. [31]. Following Fig. (5), we get the following states at each step

$$SCS_{53} |00111\rangle = \theta_{53} |00111\rangle + \bar{\theta}_{53} |01110\rangle, \quad (\text{A1a})$$

$$SCS_{43} SCS_{53} |00111\rangle = \theta_{42} \theta_{53} |00111\rangle + \bar{\theta}_{42} \theta_{53} |01101\rangle + \theta_{43} \bar{\theta}_{53} |01110\rangle + \bar{\theta}_{43} \bar{\theta}_{53} |11100\rangle, \quad (\text{A1b})$$

$$SCS_{32} SCS_{43} SCS_{53} |00111\rangle = \theta_{31} \theta_{42} \theta_{53} |00111\rangle + \bar{\theta}_{31} \theta_{42} \theta_{53} |01011\rangle + \theta_{32} \bar{\theta}_{42} \theta_{53} |01101\rangle + \bar{\theta}_{32} \bar{\theta}_{42} \theta_{53} |11001\rangle + \theta_{32} \theta_{43} \theta_{53} |01110\rangle + \bar{\theta}_{32} \theta_{43} \bar{\theta}_{53} |11010\rangle + \bar{\theta}_{43} \bar{\theta}_{53} |11100\rangle, \quad (\text{A1c})$$

$$SCS_{21} SCS_{32} SCS_{43} SCS_{53} |00111\rangle = \theta_{31} \theta_{42} \theta_{53} |00111\rangle + \theta_{21} \bar{\theta}_{31} \theta_{42} \theta_{53} |01011\rangle + \bar{\theta}_{21} \bar{\theta}_{31} \theta_{42} \theta_{53} |10011\rangle + \theta_{21} \theta_{32} \bar{\theta}_{42} \theta_{53} |01101\rangle + \bar{\theta}_{21} \theta_{32} \bar{\theta}_{42} \theta_{53} |10101\rangle + \bar{\theta}_{32} \bar{\theta}_{42} \theta_{53} |11001\rangle + \theta_{21} \theta_{32} \theta_{43} \bar{\theta}_{53} |01110\rangle + \bar{\theta}_{21} \theta_{32} \theta_{43} \bar{\theta}_{53} |10110\rangle + \bar{\theta}_{32} \theta_{43} \bar{\theta}_{53} |11010\rangle + \bar{\theta}_{43} \bar{\theta}_{53} |11100\rangle, \quad (\text{A1d})$$

where θ_{pq} is defined in Eq. (19) and

$$\bar{\theta}_{pq} \equiv \sqrt{1 - \theta_{pq}^2} = \sqrt{\frac{S_q^{p-1}}{S_q^p}}. \quad (\text{A2})$$

Simplifying Eq. (A1) leads to

$$U_{53} |00111\rangle = \frac{1}{\sqrt{S_3^5}} \left(|\eta_1 \eta_2 \eta_3\rangle |00111\rangle + |\eta_1 \eta_2 \eta_4\rangle |01011\rangle + \sqrt{S_1^1} |\eta_1 \eta_2\rangle |10011\rangle + |\eta_1 \eta_3 \eta_4\rangle |01101\rangle + \sqrt{S_1^1} |\eta_1 \eta_3\rangle |10101\rangle + \sqrt{S_2^2} |\eta_1\rangle |11001\rangle + |\eta_2 \eta_3 \eta_4\rangle |01110\rangle + \sqrt{S_1^1} |\eta_2 \eta_3\rangle |10110\rangle + \sqrt{S_2^2} |\eta_2\rangle |11010\rangle + \sqrt{S_3^3} |11100\rangle \right). \quad (\text{A3})$$

As discussed in Sec. III A, U_{MN} implements the magnitudes of the AGP geminal coefficients. Thus, we can simplify a few terms of Eq. (A3) further as $\sqrt{S_1^1} = |\eta_5|$, $\sqrt{S_2^2} = |\eta_4 \eta_5|$, and $\sqrt{S_3^3} = |\eta_3 \eta_4 \eta_5|$. Finally, the right hand side of Eq. (A3) turns into the $|S_3^5\rangle$ state

$$|S_3^5\rangle = \frac{1}{\sqrt{S_3^5}} \left(|\eta_1 \eta_2 \eta_3\rangle |00111\rangle + |\eta_1 \eta_2 \eta_4\rangle |01011\rangle + |\eta_1 \eta_2 \eta_5\rangle |10011\rangle + |\eta_1 \eta_3 \eta_4\rangle |01101\rangle + |\eta_1 \eta_3 \eta_5\rangle |10101\rangle + |\eta_1 \eta_4 \eta_5\rangle |11001\rangle + |\eta_2 \eta_3 \eta_4\rangle |01110\rangle + |\eta_2 \eta_3 \eta_5\rangle |10110\rangle + |\eta_2 \eta_4 \eta_5\rangle |11010\rangle + |\eta_3 \eta_4 \eta_5\rangle |11100\rangle \right), \quad (\text{A4})$$

with the geminal coefficient magnitudes. The corresponding phases can be added by the unitary operator \mathcal{J} , as discussed in Sec. III A.

Appendix B: New polynomial state

As discussed in Sec. III A, state preparation of AGP could inspire the preparation of other geminal-based wavefunctions. Perhaps the simplest way to go beyond AGP is to allow the rotation angles of the circuit to vary independently, thereby adding more variational flexibility to the reference state. Note that the rotation angles discussed in Sec. III A, $\{\theta_{pq}\}$, are interdependent as they are engineered in a way to implement AGP. This can be

easily verified by observing that there are $\mathcal{O}(M)$ geminal coefficients, but there are $\mathcal{O}(M^2)$ rotation angles in the circuit.

Let $\{\tilde{\theta}_{pq}\}$ to be the set of the new rotation angles which we would like to vary independently. By substituting $\theta_{pq} \rightarrow \tilde{\theta}_{pq}$ in the circuit and taking into account the normalization of the wavefunction at every splitting, we can analytically work out what will be the resulting wavefunction. We refer to this wavefunction as a *binary tree state* (BTS) for reasons that will become apparent shortly.

Define $|B_N^M\rangle$ to be a BTS with N pairs and M paired orbitals ($1 \leq N \leq M$) over a set of two-tensor elements $\{\eta_p^j\}$ as follows

$$|B_N^M\rangle \equiv \frac{1}{\sqrt{B_N^M}} \sum_{1 \leq p_1 < \dots < p_N \leq M} \eta_{p_1}^1 \dots \eta_{p_N}^N |0 \dots 1_{p_N} \dots 1_{p_2} \dots 1_{p_1} \dots 0\rangle. \quad (\text{B1})$$

where we seek η_p^j of the form $\eta_p^j = |\eta_p^j| e^{i\alpha_p}$ such that η_p^j is nonzero when $\max(1, p + N - M) \leq j \leq \min(p, N)$. The normalization factor, $1/\sqrt{B_N^M}$, can be obtained from

$$B_N^M = \sum_{1 \leq p_1 < \dots < p_N \leq M} |\eta_{p_1}^1|^2 \dots |\eta_{p_N}^N|^2. \quad (\text{B2})$$

which we refer to as a *binary tree polynomial* (BTP). Eq. (B2) can be computed efficiently with a little modification to the SumESP algorithm discussed in Ref. [57]; we refer to Algorithm 1 for more details.

Just as in AGP, the BTS $|B_N^M\rangle$ has the following recursion relation

$$|B_q^p\rangle = \sqrt{\frac{B_{q-1}^{p-1}}{B_q^p}} \eta_{M-p+1}^{N-q+1} |B_{q-1}^{p-1}\rangle |1\rangle + \sqrt{\frac{B_q^{p-1}}{B_q^p}} |B_q^{p-1}\rangle |0\rangle \quad (\text{B3})$$

for any given $1 \leq q \leq N < p \leq M$. Written as such, the relationship between $\{\theta_{pq}\}$ and $\{|\eta_p^j|\}$ is easy to infer; it

Algorithm 1: Computation of Eq. (B2).

Input: $\mathbf{x}_{N \times M}$ matrix with $x_p^j = |\eta_p^j|^2$ for all j and p .

Output: $B_N^M(\mathbf{x}) = B_N^M$.
function $B_N^M = \text{NormBTS}(\mathbf{x})$

$B_0^p = 1, \quad 1 \leq p \leq M - 1;$

$B_p^p = 0, \quad q > p;$

$B_1^1 = x_1^1;$

for $p = 2 : M$

 for $q = \max(1, p + N - M) : \min(p, N)$

$B_q^p = x_p^q B_{q-1}^{p-1} + B_q^{p-1};$

 end

end

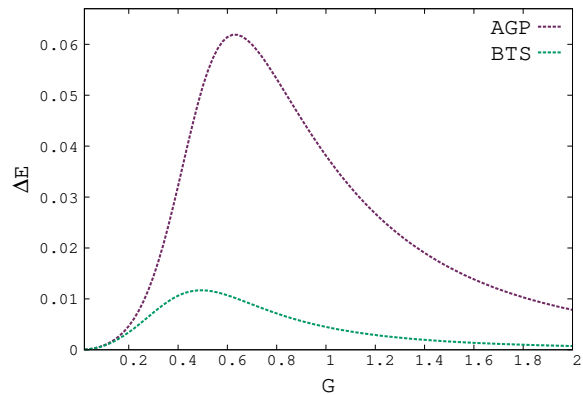


FIG. 6. Total energy errors ($E_{\text{method}} - E_{\text{exact}}$) for the reduced BCS Hamiltonian with respect to its two-body interaction parameter G , as defined in Eq. (B6). The number of paired orbitals is $M = 10$, and the number of fermion pairs is $N = 5$. The methods are the variationally best single AGP of Eq. (12) and BTS of Eq. (B1).

can be shown that the following rotation angles

$$\tilde{\theta}_{pq} = |\eta_{M-p+1}^{N-q+1}| \sqrt{\frac{B_{q-1}^{p-1}}{B_q^p}} \quad (\text{B4})$$

in the unitary gate \mathcal{U} of Sec. III A prepares $|B_N^M\rangle$ with coefficients $\eta_p^j = |\eta_p^j| e^{i\alpha_p}$. The AGP and BTS recursions follow a binary tree structure, hence the name for Eq. (B1).

When considering the seniority-zero space, both BTS and AGP approximate the doubly occupied configuration interaction (DOCI) wavefunction [63, 78]

$$|\text{DOCI}\rangle \equiv \sum_{1 \leq p_1 < \dots < p_N \leq M} D_{p_1 \dots p_N} |0 \dots 1_{p_N} \dots 1_{p_2} \dots 1_{p_1} \dots 0\rangle, \quad (\text{B5})$$

with a monomial decomposition of the DOCI coefficients, i.e. $\{D_{p_1 \dots p_n}\}$. DOCI is the most general seniority-zero state, and by comparing Eq. (4), Eq. (B1), and Eq. (B5), it is clear that BTS allows more flexibility into approximating DOCI than AGP. Indeed, BTS reduces to AGP when $\eta_p^j = \eta_p$ for all j .

We can put this idea to the test by comparing the variationally best energies of the two wavefunctions for a model Hamiltonian. The exactly solvable pairing Hamiltonian [79–81] is suitable for this purpose

$$H = \sum_p \epsilon_p \mathbf{N}_p - G \sum_{pq} \mathbf{P}_p^\dagger \mathbf{P}_q, \quad (\text{B6})$$

where the one-body interaction is $\epsilon_p = p$, and the scalar G tunes the strength of pairwise interactions. We compare the total energy errors of BTS and AGP over a range of G values in Fig. (6) by minimizing the energy using an in-house code. Results show that BTS energies are

lower than or comparable to those of AGP in all correlation regimes, which supports our hypothesis that BTS

could be a more accurate wavefunction than AGP due to its variational flexibility.

-
- [1] Y. Cao, J. Romero, J. P. Olson, M. Degroote, P. D. Johnson, M. Kieferová, I. D. Kivlichan, T. Menke, B. Peropadre, N. P. D. Sawaya, S. Sim, L. Veis, and A. Aspuru-Guzik, *Chem. Rev.* **119**, 10856 (2019).
- [2] S. McArdle, S. Endo, A. Aspuru-Guzik, S. C. Benjamin, and X. Yuan, *Rev. Mod. Phys.* **92**, 015003 (2020).
- [3] F. Arute, K. Arya, R. Babbush, D. Bacon, J. C. Bardin, *et al.*, *Science* **369**, 1084 (2020).
- [4] D. Wecker, M. B. Hastings, N. Wiebe, B. C. Clark, C. Nayak, and M. Troyer, *Phys. Rev. A* **92**, 062318 (2015).
- [5] I. D. Kivlichan, J. McClean, N. Wiebe, C. Gidney, A. Aspuru-Guzik, G. K.-L. Chan, and R. Babbush, *Phys. Rev. Lett.* **120**, 110501 (2018).
- [6] Z. Jiang, K. J. Sung, K. Kechedzhi, V. N. Smelyanskiy, and S. Boixo, *Phys. Rev. Applied* **9**, 044036 (2018).
- [7] A. Anand, P. Schleich, S. Alperin-Lea, P. W. K. Jensen, S. Sim, M. Díaz-Tinoco, J. S. Kottmann, M. Degroote, A. F. Izmaylov, and A. Aspuru-Guzik, *Chem. Soc. Rev.* **51**, 1659 (2022).
- [8] J. S. Van Dyke, G. S. Barron, N. J. Mayhall, E. Barnes, and S. E. Economou, *PRX Quantum* **2**, 040329 (2021).
- [9] J. S. Van Dyke, E. Barnes, S. E. Economou, and R. I. Nepomechie, *J. Phys. A: Math. Theor.* **55**, 055301 (2022).
- [10] W. Li, M. Okyay, and R. I. Nepomechie, *J. Phys. A: Math. Theor.* **55**, 355305 (2022).
- [11] A. Khamoshi, F. A. Evangelista, and G. E. Scuseria, *Quantum Sci. Technol.* **6**, 014004 (2021).
- [12] A. Khamoshi, G. P. Chen, F. A. Evangelista, and G. E. Scuseria, *Quantum Sci. Technol.* **8**, 015006 (2023).
- [13] L. M. Sager and D. A. Mazziotti, *Phys. Rev. Research* **4**, 013003 (2022).
- [14] P. Ring and P. Schuck, *The Nuclear Many-Body Problem*, 1st ed. (Springer-Verlag, Berlin, 1980).
- [15] E. Neuscamman, *J. Chem. Phys.* **139**, 194105 (2013).
- [16] E. Neuscamman, *J. Chem. Theory Comput.* **12**, 3149 (2016).
- [17] A. Zen, E. Coccia, Y. Luo, S. Sorella, and L. Guidoni, *J. Chem. Theory Comput.* **10**, 1048 (2014).
- [18] C. Genovese, A. Meninno, and S. Sorella, *J. Chem. Phys.* **150**, 084102 (2019).
- [19] T. M. Henderson and G. E. Scuseria, *J. Chem. Phys.* **151**, 051101 (2019).
- [20] T. M. Henderson and G. E. Scuseria, *J. Chem. Phys.* **153**, 084111 (2020).
- [21] R. Dutta, T. M. Henderson, and G. E. Scuseria, *J. Chem. Theory Comput.* **16**, 6358 (2020).
- [22] Y. Matsuzawa and Y. Kurashige, *J. Chem. Theory Comput.* **16**, 944 (2020).
- [23] A. Khamoshi, G. P. Chen, T. M. Henderson, and G. E. Scuseria, *J. Chem. Phys.* **154**, 074113 (2021).
- [24] R. Dutta, G. P. Chen, T. M. Henderson, and G. E. Scuseria, *J. Chem. Phys.* **154**, 114112 (2021).
- [25] A. Khamoshi, T. M. Henderson, and G. E. Scuseria, *J. Chem. Phys.* **151**, 184103 (2019).
- [26] M. Möttönen, J. J. Vartiainen, V. Bergholm, and M. M. Salomaa, *Quantum Info. Comput.* **5**, 467 (2005).
- [27] M. Plesch and C. Brukner, *Phys. Rev. A* **83**, 032302 (2011).
- [28] I. F. Araujo, D. K. Park, F. Petruccione, and A. J. da Silva, *Sci. Rep.* **11**, 6329 (2021).
- [29] X.-M. Zhang, M.-H. Yung, and X. Yuan, *Phys. Rev. Res.* **3**, 043200 (2021).
- [30] D. Lacroix, *Phys. Rev. Lett.* **125**, 230502 (2020).
- [31] A. Bärttschi and S. Eidenbenz, in *Fundamentals of Computation Theory* (Springer International Publishing, Cham, 2019) pp. 126–139.
- [32] A. J. Coleman, *J. Math. Phys.* **6**, 1425 (1965).
- [33] P. A. Limacher, P. W. Ayers, P. A. Johnson, S. D. Baerdemacker, D. V. Neck, and P. Bultinck, *J. Chem. Theory Comput.* **9**, 1394 (2013).
- [34] T. Stein, T. M. Henderson, and G. E. Scuseria, *J. Chem. Phys.* **140**, 214113 (2014).
- [35] T. M. Henderson, I. W. Bulik, T. Stein, and G. E. Scuseria, *J. Chem. Phys.* **141**, 244104 (2014).
- [36] F. A. Evangelista, G. K.-L. Chan, and G. E. Scuseria, *J. Chem. Phys.* **151**, 244112 (2019).
- [37] J. Lee, W. J. Huggins, M. Head-Gordon, and K. B. Whaley, *J. Chem. Theory Comput.* **15**, 311 (2019).
- [38] V. E. Elfving, M. Millaruelo, J. A. Gámez, and C. Gogolin, *Phys. Rev. A* **103**, 032605 (2021).
- [39] J. S. Kottmann and A. Aspuru-Guzik, *Phys. Rev. A* **105**, 032449 (2022).
- [40] T. E. O’Brien, G. Anselmetti, F. Gkritis, V. E. Elfving, S. Polla, *et al.*, (2022), [arXiv:2210.10799](https://arxiv.org/abs/2210.10799) [quant-ph].
- [41] H. R. Grimsley, S. Economou, E. Barnes, and N. J. Mayhall, *Nat. Commun.* **10**, 3007 (2019).
- [42] H. R. Grimsley, D. Claudino, S. Economou, E. Barnes, and N. J. Mayhall, *J. Chem. Theory Comput.* **16**, 1 (2020).
- [43] T. M. Henderson, G. E. Scuseria, J. Dukelsky, A. Signoracci, and T. Duguet, *Phys. Rev. C* **89**, 054305 (2014).
- [44] T. M. Henderson, I. W. Bulik, and G. E. Scuseria, *J. Chem. Phys.* **142**, 214116 (2015).
- [45] M. Degroote, T. M. Henderson, J. Zhao, J. Dukelsky, and G. E. Scuseria, *Phys. Rev. B* **93**, 125124 (2016).
- [46] G. E. Scuseria, C. A. Jiménez-Hoyos, T. M. Henderson, K. Samanta, and J. K. Ellis, *J. Chem. Phys.* **135**, 124108 (2011).
- [47] Y. Qiu, T. M. Henderson, T. Duguet, and G. E. Scuseria, *Phys. Rev. C* **99**, 044301 (2019).
- [48] J. A. Sheikh, J. Dobaczewski, P. Ring, L. M. Robledo, and C. Yannouleas, *J. Phys. G: Nucl. Part. Phys.* **48**, 123001 (2021).
- [49] A. M. Childs, E. Farhi, J. Goldstone, and S. Gutmann, *Quantum Info. Comput.* **2**, 181 (2002).
- [50] E. Farhi, J. Goldstone, and S. Gutmann, (2014), [arXiv:1411.4028](https://arxiv.org/abs/1411.4028) [quant-ph].
- [51] S. Hadfield, Z. Wang, B. O’Gorman, E. G. Rieffel, D. Venturelli, and R. Biswas, *Algorithms* **12**, 34 (2019).
- [52] I. G. Macdonald, *Symmetric functions and Hall polynomials*, 2nd ed. (Oxford University Press, Oxford, 1995).
- [53] R. Nelson, *A Brief Journey in Discrete Mathematics*, 1st ed. (Springer Cham, Cham, 2020).

- [54] F. B. Baker and M. R. Harwell, *Applied Psychological Measurement* **20**, 169 (1996).
- [55] G. H. Fischer, *Einführung in die Theorie Psychologischer Tests: Grundlagen und Anwendungen*, 1st ed. (Verlag Hans Huber, Bern, 1974).
- [56] R. Rehman and I. C. F. Ipsen, *SIAM Journal on Matrix Analysis and Applications* **32**, 90 (2011).
- [57] H. Jiang, S. Graillat, R. Barrio, and C. Yang, *Applied Mathematics and Computation* **273**, 1160 (2016).
- [58] R. H. Dicke, *Phys. Rev.* **93**, 99 (1954).
- [59] C. S. Mukherjee, S. Maitra, V. Gaurav, and D. Roy, *IEEE Transactions on Quantum Engineering* **1**, 1 (2020).
- [60] S. Aktar, A. Bärtschi, A.-H. A. Badawy, and S. Eidenbenz, *IEEE Transactions on Quantum Engineering* **3**, 1 (2022).
- [61] A. J. Coleman, *Rev. Mod. Phys.* **35**, 668 (1963).
- [62] P. R. Surján, “An introduction to the theory of geminals,” in *Topics in Current Chemistry*, Vol. 203 (Springer, Berlin, 1999) pp. 63–88.
- [63] L. Bytautas, T. M. Henderson, C. A. Jiménez-Hoyos, J. K. Ellis, and G. E. Scuseria, *J. Chem. Phys.* **135**, 044119 (2011).
- [64] P. Jordan and E. Wigner, *Z. Physik* **47**, 631 (1928).
- [65] C. D. Batista, *Phys. Rev. B* **80**, 180406 (2009).
- [66] E. Chertkov and B. K. Clark, *Phys. Rev. B* **104**, 104410 (2021).
- [67] S. Pal, P. Sharma, H. J. Changlani, and S. Pujari, *Phys. Rev. B* **103**, 144414 (2021).
- [68] Z. Y. Liu, F. Gao, T. M. Henderson, J. Dukelsky, and G. E. Scuseria, In preparation.
- [69] T. M. Henderson, G. P. Chen, and G. E. Scuseria, *J. Chem. Phys.* **157**, 194114 (2022).
- [70] I. G. Ryabinkin, T.-C. Yen, S. N. Genin, and A. F. Izmaylov, *J. Chem. Theory Comput.* **14**, 6317 (2018).
- [71] I. G. Ryabinkin, R. L. Lang, S. N. Genin, and A. F. Izmaylov, *J. Chem. Theory Comput.* **16**, 1055 (2020).
- [72] I. G. Ryabinkin, A. F. Izmaylov, and S. N. Genin, *Quantum Sci. Technol.* **6**, 024012 (2021).
- [73] P. Tecmer and K. Boguslawski, *Phys. Chem. Chem. Phys.* **24**, 23026 (2022).
- [74] S. K. Özdemir, J. Shimamura, and N. Imoto, *New J. Phys.* **9**, 43 (2007).
- [75] R. Prevedel, G. Cronenberg, M. S. Tame, M. Paternostro, P. Walther, M. S. Kim, and A. Zeilinger, *Phys. Rev. Lett.* **103**, 020503 (2009).
- [76] G. Tóth, *Phys. Rev. A* **85**, 022322 (2012).
- [77] Y. Ouyang, *Phys. Rev. B* **103**, 144417 (2021).
- [78] F. Weinhold and E. B. Wilson, *J. Chem. Phys.* **46**, 2752 (1967).
- [79] R. W. Richardson, *Phys. Lett.* **3**, 277 (1963).
- [80] R. W. Richardson and N. Sherman, *Nucl. Phys.* **52**, 221 (1964).
- [81] J. Dukelsky, S. Pittel, and G. Sierra, *Rev. Mod. Phys.* **76**, 643 (2004).