

FINITE-STRAIN POYNTING-THOMSON MODEL: EXISTENCE AND LINEARIZATION

ANDREA CHIESA, MARTIN KRUŽIČ, AND ULISSE STEFANELLI

ABSTRACT. We analyze the finite-strain Poynting-Thomson viscoelastic model. In its linearized small-deformation limit, this corresponds to the serial connection of an elastic spring and a Kelvin-Voigt viscoelastic element. In the finite-strain case, the total deformation of the body results from the composition of two maps, describing the deformation of the viscoelastic element and the elastic one, respectively. We prove the existence of suitably weak solutions by a time-discretization approach based on incremental minimization. Moreover, we prove a rigorous linearization result, showing that the corresponding small-strain model is indeed recovered in the small-loading limit.

1. INTRODUCTION

Viscoelastic solids appears ubiquitously in applications. Polymers, rubber, biomaterials, wood, clay, and soft solids, including metals at close-to-melting temperatures, behave viscoelastically. The mechanical response of viscoelastic solids is governed by the interplay between elastic and viscous dynamics: by applying stresses both strains and strain rates ensue [32]. This is at the basis of different effects, from viscoelastic creep, to viscous relaxation, to rate-dependence in material response, to dissipation of mechanical energy [35].

The modelization of viscoelastic solid response dates back to the early days of Continuum Mechanics. In the linearized, infinitesimal-strain setting, two basic models are the *Maxwell* and the *Kelvin-Voigt* one, where an elastic spring is connected to a viscous dashpot in series or in parallel, respectively. These models offer only a simplified description of actual viscoelastic behavior. More accurate descriptions necessarily call for more complex models. A first option in this direction is the *Poynting-Thomson* model, resulting from the combination in series of an elastic and a Kelvin-Voigt component, see Figure 1. This model overcomes some of the fundamental mechanical shortcomings of the simpler Maxwell and the Kelvin-Voigt ones, delivering a more accurate description of viscous creep and relaxation.

The aim of this paper is to investigate the Poynting-Thomson model in the finite-strain setting. From the modeling viewpoint, extending the model beyond the small-strain case is crucial, for viscoelastic materials commonly experience large deformations. In fact, finite-strain versions of the Poynting-Thomson model have already been considered. The reader is referred to [19], where a comparison between Poynting-Thomson and *Zener* models (elastic and Kelvin-Voigt elements in parallel) at finite strains is discussed, and to [20], focusing on the anisothermal version the Poynting-Thomson model.

To the best of our knowledge, mathematical results on the finite-strain Poynting-Thomson model are still not available. The focus of this paper is to fill this gap by presenting

2020 *Mathematics Subject Classification.* 49J20, 74D10.

Key words and phrases. Poynting-Thomson model, variational approach, existence, linearization.

- an **existence theory** for solutions of the finite-strain Poynting-Thomson model, as well as a convergence result for time-discretizations (Theorem 4.1).
- a rigorous **linearization result**, proving that finite-strain solutions converge (up to subsequences) to solutions of the linearized system in the limit of small loadings and, correspondingly, small strains (Theorem 4.2).

Our analysis is variational in nature. The convergence result provides a rigorous counterpart to the classical heuristic arguments based on Taylor expansions [19].

We postpone to Section 2 both the detailed discussion of the model and a first presentation of our main results. We anticipate however here that the theory requires no second-gradient terms but rather relies on a decomposition of the total deformation in terms of an elastic and a viscous deformation, see (2.3) below. Correspondingly, the variational formulation of the problem features both Lagrangian and Eulerian terms. Note moreover that the viscous dissipation is here assumed to be p_ψ -homogeneous, with superlinear homogeneity $p_\psi \geq 2$.

Our notion of solution (see Definition 4.1) hinges on the validity of an energy inequality, an elastic semistability inequality, and an approximability property via time-discrete problems. Albeit very weak, this notion replicates the important features of viscoelastic evolution, including elastic equilibrium, energy dissipation, and viscous relaxation.

Before moving on, let us put our results in context with respect to the available literature. In the purely PDE setting, existence results for viscoelastic dissipative systems are classical. The reader is referred to the recent monograph [18] for a comprehensive collection of references. As it is well known, the PDE setting is local in nature and, as such, does not allow to consider global constraints such as injectivity of deformations, i.e., noninterpenetration of matter. Variational theories for viscoelastic evolution offer a remedy in this respect. By making use of the underlying gradient-flow structure of viscoelastic evolution, existence results for variational solutions have been obtained in the one-dimensional [25] and in the multi-dimensional case [9]. The latter paper also delivers a rigorous evolutive Γ -convergence linearization result. See also [16] for the case of self-contact and [3, 29] for some extension to nonisothermal situations. With respect to these contributions, we deal here with an internal-variable formulation, where the elastic variable does not dissipate. From the technical viewpoint, the novelty of our approach resides in avoiding the second-gradient theory by virtue of the composition assumption (2.3). This impacts on the functional setting, as well as on the required mathematical techniques.

In the different but related frame of activated inelastic deformations, the closest contributions to ours are [27] and [33], both dealing with rate-dependent viscoplasticity ($p_\psi > 1$) under the multiplicative-decomposition setting. In both papers, existence of solutions is discussed, by taking into account additional gradient-type terms for the viscous strain. In particular, the full gradient is considered in [27], whereas in [33] only its curl is penalized. The approach in [33] analogous to ours in terms of solution notion. In contrast with these papers, viscous evolution is here not activated. In addition, by not considering here additional gradient terms, we avoid introducing a second length scale in the model and thus tackle so called *simple materials*. Moreover, we investigate here linearization, which was not discussed in [27, 33].

In the fully rate-independent setting $p_\psi = 1$ of activated elastoplasticity, the papers [17, 37] and [31], contribute an existence and linearization theory which is parallel the current viscoelastic one. More precisely, [17, 37] deal with a decomposition of deformations in the same spirit of (2.3)

below, avoiding the use of second gradients, whereas [31] features no gradients, but is a pure convergence result, in a setting where existence is not known. With respect to these contributions, the superlinear, non activated nature of the dissipation of the viscous setting calls for using a different set of analytical tools from gradient-flow theory [26]. Note that, also in the rate-independent setting, by including a gradient term of the plastic strain, hence resorting to so-called *strain-gradient* finite plasticity, one obtains stronger results. In particular, the existence of energetic solutions in strain-gradient finite plasticity is in [21] and the linearization in some symmetrized case is in [12]. Under the mere penalization of the curl of the gradient of the plastic strain, existence of incremental solutions is proved in [24] and linearization is in [36].

The paper is organized as follows. In Section 2, we provide an illustration of the finite-strain Poynting-Thomson model under consideration, as well as an introduction to our main results. Some preliminary material and comment on the functional setting is provided in Section 3. In particular, we discuss the set of admissible deformations in Subsection 3.2. In Subsections 4.1 and 4.3 we list and comment the assumptions, whereas the statements of our main results, Theorem 4.1 and Theorem 4.2 are presented in Subsections 4.2 and 4.4, respectively. The solvability of the time-discrete incremental problems is discussed in Section 5, whereas the proofs of Theorems 4.1 and 4.2 are given in Sections 6 and 7, respectively.

2. THE FINITE-STRAIN POYNTING-THOMSON MODEL

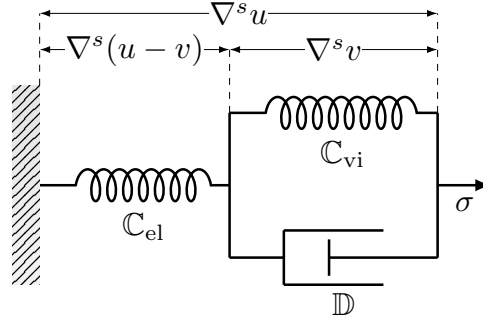


FIGURE 1. The Poynting-Thomson rheological model (linearized setting).

In order to illustrate our results, we start by recalling the classical Poynting-Thomson in the linearized setting of infinitesimal strains. By indicating by $u : \Omega \rightarrow \mathbb{R}^d$ the *infinitesimal displacement* from the *reference configuration* $\Omega \subset \mathbb{R}^d$, the total strain $\nabla^s u$ (here ∇^s denotes the symmetrized gradient $\nabla^s u = (\nabla u + \nabla u^\top)/2$) is additively decomposed in its elastic and its viscous parts as $\nabla^s u = \mathbb{C}_{\text{el}}^{-1} \sigma + \nabla^s v$. In its quasistatic approximation, the evolution of the body results from the combination of the equilibrium system and the constitutive relation, namely,

$$-\operatorname{div}(\mathbb{C}_{\text{el}} \nabla^s(u-v)) = f \quad \text{in } \Omega \times (0, T), \quad (2.1)$$

$$\mathbb{D} \nabla^s \dot{v} + (\mathbb{C}_{\text{vi}} + \mathbb{C}_{\text{el}}) \nabla^s v = \mathbb{C}_{\text{el}} \nabla^s u \quad \text{in } \Omega \times (0, T) \quad (2.2)$$

where f stands for a given body force. The reader is referred to the monographs [7, 18, 38] for a comprehensive collection of analytical results.

In the finite-strain Poynting-Thomson model [19, 20], the state of the viscoelastic system is specified in terms of its *deformation* $y : \Omega \rightarrow \mathbb{R}^d$. As it is common in finite-strain theories [15], the deformation gradient ∇y is *multiplicatively decomposed* as $\nabla y = F_{\text{el}} F_{\text{vi}}$, where F_{el} and F_{vi} are

the *elastic* and *viscous strain* tensors, representing the elastic and viscous response of the medium, respectively.

A distinctive feature of our approach is that we assume the viscous strain to be *compatible*: we identify F_{vi} with the gradient ∇y_{vi} of a *viscous deformation* $y_{vi} : \Omega \rightarrow y_{vi}(\Omega) \subset \mathbb{R}^d$, mapping the *reference* configuration Ω to the *intermediate* one $y_{vi}(\Omega)$. Correspondingly, the elastic strain is compatible as well and there exists an elastic deformation $y_{el} : y_{vi}(\Omega) \rightarrow \mathbb{R}^d$ with $F_{el} = \nabla y_{el}$ mapping the intermediate configuration to the *actual* one. As such, the multiplicative decomposition $\nabla y = F_{el}F_{vi}$ ensues from an application of the classical chain rule to the composition

$$y := y_{el} \circ y_{vi} : \Omega \rightarrow \mathbb{R}^d. \quad (2.3)$$

Moving from this position, the state of the medium is described by the pair (y_{vi}, y_{el}) , effectively distinguishing viscous and elastic responses.

Before moving on, let us stress that the compatibility assumption on F_{vi} , whence the composition assumption (2.3), realistically describes a variety of viscoelastic evolution settings and refer to [17, 37] for some parallel theory in the frame of finite-strain plasticity. In particular, position (2.3) is flexible enough to cover both limiting cases of a purely elastic ($y_{vi} = \text{id}$) and of a plain Kelvin-Voigt ($y_{el} = \text{id}$) materials. In the linearized setting, these would formally correspond to the cases $\mathbb{C}_{vi} \rightarrow \infty$ and $\mathbb{C}_{el} \rightarrow \infty$, respectively. Let us note that by choosing $\mathbb{C}_{vi} = 0$ the linearized system (2.1)-(2.1) reduces to the *Maxwell* fluidic rheological model. By assuming (2.3) we exclude the onset of defects, such as dislocations and disclinations. Albeit this could limit the application of the theory in some specific cases, it is to remark that viscous materials are often amorphous, so that the relevance of strictly crystallographic descriptions may be questionable. From the more analytical viewpoint, assumption (2.3) allows us to present a comprehensive mathematical theory within the setting of so-called *simple materials*, i.e., without resorting to second-gradient theories. The alternative path of including second-order deformation gradients, is also viable and, as far as existence is concerned, has been considered in [27] in the activated case of viscoplasticity.

A first consequence of the composition (2.3) is that the elastic deformation y_{el} is defined on the a-priori unknown intermediate configuration $y_{vi}(\Omega)$, making the analysis delicate. In particular, the variational description of the viscoelastic behavior results in a mixed Lagrangian-Eulerian variational problem. This mixed nature of the problem will be tamed by means of change-of-variables techniques, which in turn ask for some some specification on the class of admissible intermediate configurations. Let us anticipate that y_{vi} will be required to be an incompressible ($\det \nabla y_{vi} = 1$) homeomorphism throughout.

The *stored energy* of the medium is assumed to be of the form

$$\mathcal{W}(y_{el}, y_{vi}) := \int_{y_{vi}(\Omega)} W_{el}(\nabla y_{el}(\xi)) \, d\xi + \int_{\Omega} W_{vi}(\nabla y_{vi}(X)) \, dX. \quad (2.4)$$

Here and in the following, we indicate by X the variable in the reference configuration Ω and by ξ the variable in the intermediate configuration $y_{vi}(\Omega)$. The first integral above corresponds to the *stored elastic energy* and the given function W_{el} is the stored elastic energy density. Its argument $\nabla y_{el}(\xi)$ can be equivalently rewritten in Lagrangian variables as the usual product $\nabla y(X) \nabla y_{vi}^{-1}(X)$. By comparing these two expressions, the advantage of working in Eulerian variables is apparent, for $\nabla y_{el}(\xi)$ is linear in y_{el} . The function W_{vi} is the *stored viscous energy density* instead and the corresponding integral is Lagrangian.

The *instantaneous dissipation* of the system is given by

$$\Psi(y_{vi}, \dot{y}_{vi}) := \int_{\Omega} \psi(\nabla \dot{y}_{vi} (\nabla y_{vi})^{-1}) \, dX \quad (2.5)$$

where $\psi(\cdot)$ models the instantaneous dissipation density and is assumed to be p_{ψ} -positively homogeneous for $p_{\psi} \geq 2$.

By formally taking variations of the above introduced functionals, we obtain the quasistatic equilibrium system [28]

$$\begin{aligned} -\operatorname{div} DW_{el}(\nabla y_{el}) &= f \circ y_{vi}^{-1} \quad \text{in } y_{vi}(\Omega) \times (0, T) \\ DW_{el}(\nabla y_{el}(y_{vi}) : D^2 y_{el}(y_{vi})) &+ \operatorname{div} DW_{vi}(\nabla y_{vi}) \\ -\nabla y_{el}(y_{vi})^{\top} f &= -\operatorname{div} (D\psi(\nabla \dot{y}_{vi} (\nabla y_{vi})^{-1}) (\nabla y_{vi})^{-\top}) \quad \text{in } \Omega \times (0, T). \end{aligned}$$

The highly nonlinear character of this system, combined with the absence of higher-order gradients in the viscous variable, forces us to consider a suitable weak-solution notion.

Inspired by [6, Def. 2.12] and [33, Def. 2.2], in our first main result, Theorem 4.1, we prove the existence of *approximable solutions* (see Definition 4.1). These are everywhere defined trajectories $(y_{el}, y_{vi}) : [0, T] \rightarrow W^{1,p_{el}}(y_{vi}(\Omega); \mathbb{R}^d) \times W^{1,p_{vi}}(\Omega; \mathbb{R}^d)$ starting from some given initial datum $(y_{el,0}, y_{vi,0})$ and satisfying for all $t \in [0, T]$

Energy inequality:

$$\begin{aligned} &\int_{y_{vi}(t,\Omega)} W_{el}(\nabla y_{el}(t, \xi)) \, d\xi + \int_{\Omega} W_{vi}(\nabla y_{vi}(t, X)) \, dX - \int_{\Omega} f(t, X) \cdot y_{el}(t, y_{vi}(t, X)) \, dX \\ &\quad + p_{\psi} \int_0^t \int_{\Omega} \psi(\nabla \dot{y}_{vi}(s, X) (\nabla y_{vi}(s, X))^{-1}) \, dX \, ds \\ &\leq \int_{y_{vi,0}(\Omega)} W_{el}(\nabla y_{el,0}(\xi)) \, d\xi + \int_{\Omega} W_{vi}(\nabla y_{vi,0}(X)) \, dX - \int_{\Omega} f(0, X) \cdot y_{el,0}(y_{vi,0}(X)) \, dX \\ &\quad - \int_0^t \int_{\Omega} \partial_s f(s, X) \cdot y_{el}(s, y_{vi}(s, X)) \, dX \, ds \end{aligned} \quad (2.6)$$

Semistability condition:

$$\begin{aligned} &\int_{y_{vi}(t,\Omega)} W_{el}(\nabla y_{el}(t, \xi)) \, d\xi - \int_{\Omega} f(t, X) \cdot y_{el}(t, y_{vi}(t, X)) \, dX \\ &\leq \int_{y_{vi}(t,\Omega)} W_{el}(\nabla \tilde{y}_{el}(\xi)) \, d\xi - \int_{\Omega} f(t, X) \cdot \tilde{y}_{el}(y_{vi}(t, X)) \, dX \\ &\quad \forall \tilde{y}_{el} \text{ with } (\tilde{y}_{el}, y_{vi}(t, \cdot)) \in \mathcal{A} \end{aligned} \quad (2.7)$$

where \mathcal{A} is the set of admissible deformations, introduced in Section 3.2 below. The first line of inequality (2.6) corresponds to the *total energy* of the medium at time t and state $(y_{el}(t, \cdot), y_{vi}(t, \cdot))$. In particular, the term $-\int_{\Omega} f \cdot (y_{el} \circ y_{vi}) \, dX$ is the work of the (external) force f (later, a boundary traction will be considered, as well). Solutions $t \mapsto (y_{el}(t), y_{vi}(t))$ are moreover required to be

approximable, namely, to ensue as limit of time discretizations. In this respect, we consider the *incremental minimization problems*, for $i = 1, \dots, N$,

$$\min_{(y_{\text{el}}, y_{\text{vi}}) \in \mathcal{A}} \left\{ \int_{y_{\text{vi}}(\Omega)} W_{\text{el}}(\nabla y_{\text{el}}(\xi)) \, d\xi + \int_{\Omega} W_{\text{vi}}(\nabla y_{\text{vi}}(X)) \, dX - \int_{\Omega} f(i\tau, X) \cdot y_{\text{el}}(y_{\text{vi}}(X)) \, dX \right. \\ \left. + \tau \int_{\Omega} \psi \left(\frac{\nabla y_{\text{vi}}(X) - \nabla y_{\text{vi}}^{i-1}(X)}{\tau} (\nabla y_{\text{vi}}^{i-1}(X))^{-1} \right) \, dX \right\} \quad \text{for } y_{\text{vi}}^{i-1} \text{ given} \quad (2.8)$$

on a given uniform time-partition $\{0 = t_0 < t_1 < \dots < t_N = T\}$, where the set of admissible states \mathcal{A} is defined in Subsection 3.2 below.

The notion of approximable solution is capable of reproducing the main features of viscoelastic evolution. First of all, the semistability condition (2.7) implies that y_{el} solves the elastic equilibrium at all times, given the viscous-state evolution. Correspondingly, the description of the purely elastic response of the material is complete. Secondly, the energy inequality (2.6) is sharp, in the sense that it may indeed hold as equality in specific smooth situations. In other words, all dissipative contributions are correctly taken into account in (2.6). Note in this respect the presence of the factor p_ψ multiplying the dissipation term in (2.6). Eventually, the approximation property ensures that viscous evolution actually occurs, even in absence of applied loads. We give an illustration of this fact in Section 4.2 below, see Figure 2.

Under suitable assumptions, the incremental minimization problems (2.8) are proved to admit solutions in Proposition 4.1 below. These time-discrete solutions fulfill a discrete energy inequality and a discrete semistability inequality. The existence of approximable solutions (Theorem 4.1) follows by passing to the limit in the time-discrete problems. In order to pass from the time-discrete to the time-continuous energy inequality (2.6), lower semicontinuity of the energy and dissipation functionals is necessary, which translates in our setting in asking for the polyconvexity of the respective densities. In order to obtain the specific form (2.6) we need to resort to the notion of De Giorgi variational interpolant [2, Def. 3.2.1, p. 66], and adapt this tool from its original metric-space application to the current one.

For establishing the elastic semistability (2.7), a suitable recovery-sequence construction is required. This calls for the extension of the elastic deformations from the intermediate configurations to the whole \mathbb{R}^d . The possibility of performing this extension requires some regularity of the boundary of the intermediate configurations, which we ask to be *Jones domains* (see Definition 3.1).

The second main focus of the paper is on the rigorous linearization of the system through evolutionary Γ -convergence [30] in the case of quadratic dissipations, namely for $p_\psi = 2$. Moving from the seminal paper [5] in the stationary, hyperelastic case, the application of Γ -convergence to inelastic evolutive problems has been started in [31] and has been applied to different settings. The goal is to provide a rigorous formalization of heuristic Taylor expansion arguments which for the finite-strain Poynting-Thomson model were already presented in [19]. At first, let us review this heuristic by assuming sufficient regularity of all ingredients. Consider the functions u, v, w defined as

$$u := \frac{y - \text{id}_\Omega}{\varepsilon}, \quad v := \frac{y_{\text{vi}} - \text{id}_\Omega}{\varepsilon}, \quad \text{and} \quad w := \frac{y_{\text{el}} - \text{id}_{y_{\text{vi}}(\Omega)}}{\varepsilon},$$

so that u, v, w actually correspond to the ε -rescaled displacements of $y, y_{\text{vi}}, y_{\text{el}}$, respectively. To compute the linearization it will be more convenient to work with the pair (u, v) corresponding to

the total and viscous deformations (y, y_{vi}) . In particular, we replace $\nabla y = I + \varepsilon \nabla u$ and $\nabla y_{vi} = I + \varepsilon \nabla v$ in the stored energy and $\nabla \dot{y}_{vi} = \varepsilon \nabla \dot{v}$ in the dissipation. By formally Taylor expanding the (rescaled) energy terms and taking $\varepsilon \rightarrow 0$ we find

$$\begin{aligned} \frac{1}{\varepsilon^2} \int_{\Omega} W_{el}((I + \varepsilon \nabla u)(I + \varepsilon \nabla v)^{-1}) \, dX &= \int_{\Omega} \frac{1}{2} D^2 W_{el}(I) \nabla(u-v) : \nabla(u-v) \, dX + o(\varepsilon) \\ &\rightarrow \frac{1}{2} \int_{\Omega} \nabla(u-v) : \mathbb{C}_{el} \nabla(u-v) \, dX, \\ \frac{1}{\varepsilon^2} \int_{\Omega} W_{vi}(I + \varepsilon \nabla v) \, dX &= \int_{\Omega} \frac{1}{2} D^2 W_{vi}(I) \nabla v : \nabla v \, dX + o(\varepsilon) \rightarrow \frac{1}{2} \int_{\Omega} \nabla v : \mathbb{C}_{vi} \nabla v \, dX, \\ \frac{1}{\varepsilon^2} \int_{\Omega} \psi(\varepsilon \nabla \dot{v}(I + \varepsilon \nabla v)^{-1}) \, dX &= \int_{\Omega} \frac{1}{2} D^2 \psi(0) \nabla \dot{v} : \nabla \dot{v} \, dX + o(\varepsilon) \rightarrow \frac{1}{2} \int_{\Omega} \mathbb{D} \nabla \dot{v} : \nabla \dot{v} \, dX. \end{aligned}$$

Here, we have assumed $W_{el}(I) = W_{vi}(I) = 0$, $DW_{el}(I) = DW_{vi}(I) = 0$, and have defined $\mathbb{C}_{el} := D^2 W_{el}(I)$, $\mathbb{C}_{vi} := D^2 W_{vi}(I)$, and $\mathbb{D} := D^2 \psi(0)$. Moreover, we assume that the force f is small, i.e., $f = f^\varepsilon = \varepsilon f^0$. Hence, by neglecting the term $f^0 \cdot \text{id}_{\Omega}$, which is independent of the displacement, the rescaled loading term reads

$$-\frac{1}{\varepsilon^2} \int_{\Omega} f^\varepsilon \cdot y_{el} \circ y_{vi} \, dX = -\frac{1}{\varepsilon^2} \int_{\Omega} \varepsilon f^0 \cdot \varepsilon u \, dX = -\int_{\Omega} f^0 \cdot u \, dX.$$

The above pointwise convergences are the classical heuristic linearization procedure. Still, one is left with actually checking that the finite-strain trajectories indeed converge to a solution of the linearized system. This is the aim of our second main result, Theorem 4.2, where we prove that, given a sequence of approximable solutions $(y_{vi,\varepsilon}, y_{el,\varepsilon})_\varepsilon$ and upon defining $y = y_{el,\varepsilon} \circ y_{vi,\varepsilon}$ and the corresponding rescaled displacements $u_\varepsilon = (y - \text{id}_{\Omega})/\varepsilon$ and $v_\varepsilon = (y_{vi,\varepsilon} - \text{id}_{\Omega})/\varepsilon$, the sequence $(u_\varepsilon, v_\varepsilon)_\varepsilon$ converges pointwise in time (up to subsequences) to $(u, v) : [0, T] \rightarrow H^1(\Omega; \mathbb{R}^d) \times H^1(\Omega; \mathbb{R}^d)$ with $(u(0), v(0)) = (u^0, v^0) := \lim_{\varepsilon \rightarrow 0} (u_\varepsilon(0), v_\varepsilon(0))$ and satisfying, for all $t \in [0, T]$,

Linearized energy inequality:

$$\begin{aligned} &\frac{1}{2} \int_{\Omega} \nabla(u(t) - v(t)) : \mathbb{C}_{el} \nabla(u(t) - v(t)) \, dX + \frac{1}{2} \int_{\Omega} \nabla v(t) : \mathbb{C}_{vi} \nabla v(t) \, dX - \int_{\Omega} f^0(t) \cdot u(t) \, dX \\ &\quad + \int_0^t \int_{\Omega} \mathbb{D} \nabla \dot{v}(s) : \nabla \dot{v}(s) \, dX \, ds \\ &\leq \frac{1}{2} \int_{\Omega} \nabla(u_0 - v_0) : \mathbb{C}_{el} \nabla(u_0 - v_0) \, dX + \frac{1}{2} \int_{\Omega} \nabla v_0 : \mathbb{C}_{vi} \nabla v_0 \, dX - \int_{\Omega} f^0(0) \cdot u_0 \, dX \\ &\quad - \int_0^t \int_{\Omega} \partial_s f^0(s) \cdot u(s) \, dX \, ds, \end{aligned} \tag{2.9}$$

Linearized semistability:

$$\begin{aligned} &\frac{1}{2} \int_{\Omega} \nabla(u(t) - v(t)) : \mathbb{C}_{el} \nabla(u(t) - v(t)) \, dX - \int_{\Omega} f^0(t) \cdot u(t) \, dX \\ &\leq \frac{1}{2} \int_{\Omega} \nabla(\hat{u} - v(t)) : \mathbb{C}_{el} \nabla(\hat{u} - v(t)) \, dX - \int_{\Omega} f^0(t) \cdot \hat{u} \, dX \quad \forall \hat{u} \text{ admissible.} \end{aligned} \tag{2.10}$$

The linearized energy inequality and the linearized semistability deliver a weak notion of solution for the linearized problem (2.1)-(2.2). Albeit (2.9)-(2.10) are too weak to fully characterize the unique solution of linearized Poynting-Thomson system (2.1)-(2.2), the equilibrium system (2.1) is fully recovered. In particular, u is uniquely determined at all times, given v . Moreover, the linearized energy equality (2.9) is sharp and turns out to be an equality in specific cases.

To conclude, let us note that one could alternatively perform the linearization at the time-discrete level and then pass to the time-continuous limit. This way one recovers the unique strong solution of the linearized Poynting-Thomson system (2.1)-(2.2). This fact provides some additional justification of the finite-strain model. Still, we do not follow here this alternative path, which could be easily treated along the lines of the analysis in of Sections 6 and 7.

3. PRELIMINARIES

We devote this section to setting notation and presenting some preliminary results.

3.1. Notation. In what follows, we denote by $\mathbb{R}^{d \times d}$ the Euclidean space of $d \times d$ real matrices, $d \geq 2$. Given $A \in \mathbb{R}^{d \times d}$ we define its (Frobenius) norm as $|A|^2 := A : A$, where the contraction product between 2-tensors is defined as $A : B := \sum_{i,j} A_{ij} B_{ij}$. Moreover, given a symmetric positive definite 4-tensor $\mathbb{C} \in \mathbb{R}^{d \times d \times d \times d}$, the corresponding induced matrix norm is defined as $|A|_{\mathbb{C}}^2 := \mathbb{C}A : A/2$. We denote by $A^{\text{sym}} := (A + A^T)/2$ the symmetric part of a matrix $A \in \mathbb{R}^{d \times d}$. We shall use the following matrix sets

$$\begin{aligned} SL(d) &:= \{A \in \mathbb{R}^{d \times d} \mid \det A = 1\}, \\ SO(d) &:= \{A \in SL(d) \mid AA^T = I\}, \\ GL(d) &:= \{A \in \mathbb{R}^{d \times d} \mid \det A \neq 0\}, \\ GL_+(d) &:= \{A \in \mathbb{R}^{d \times d} \mid \det A > 0\}. \end{aligned}$$

The symbol $B_r(A) \subset \mathbb{R}^{d \times d}$ denotes the open ball of radius $r > 0$ and center $A \in \mathbb{R}^{d \times d}$. We make use of the function spaces

$$\begin{aligned} H_{\#}^1(\Omega; \mathbb{R}^d) &:= \left\{ u \in H^1(\Omega; \mathbb{R}^d) \mid \int_{\Omega} u \, dX = 0 \right\}, \\ H_{\Gamma}^1(\Omega; \mathbb{R}^d) &:= \{u \in H^1(\Omega; \mathbb{R}^d) \mid u = 0 \text{ on } \Gamma \subset \partial\Omega\}, \end{aligned}$$

where Γ is a nonempty, open, and measurable subset of $\partial\Omega$.

Moreover we denote by \mathcal{H}^{d-1} the $(d-1)$ -dimensional Hausdorff measure and by $|\omega|$ the d -dimensional Lebesgue measure of the measurable set ω in \mathbb{R}^d .

3.2. Deformations and admissible states. Let fix the reference configuration Ω of the body to be a nonempty, open, bounded, and connected Lipschitz subset of \mathbb{R}^d . We assume without loss of generality that $\int_{\Omega} X \, dX = 0$. We let Γ_D, Γ_N be open subsets of $\partial\Omega$ (in the relative topology of $\partial\Omega$) such that $\bar{\Gamma}_D \cup \bar{\Gamma}_N = \partial\Omega$, $\bar{\Gamma}_D \cap \bar{\Gamma}_N = \emptyset$, and $\mathcal{H}^{d-1}(\Gamma_D) > 0$.

The viscous deformation is required to fulfill

$$y_{vi} \in W^{1,p_{vi}}(\Omega; \mathbb{R}^d) \quad \text{for some } p_{vi} > d(d-1)$$

and to be locally volume-preserving, i.e., $\det \nabla y_{vi} = 1$ almost everywhere in Ω . In the following, y_{vi} is tacitly identified with its Hölder-continuous representative. More precisely, $y_{vi} \in C^{0,1-d/p_{vi}}(\Omega; \mathbb{R}^d)$ and is almost everywhere differentiable (see [8]). In addition, since we will use

the change-of-variables formula to pass from Lagrangian to Eulerian variables, we require y_{vi} to be injective almost everywhere. Equivalently, we ask for the *Ciarlet-Nečas condition* [4]

$$|\Omega| = \int_{\Omega} \det \nabla y_{vi} \, dX = |y_{vi}(\Omega)| \quad (3.1)$$

to hold. As a consequence we have the change-of-variables formula

$$\int_{\omega} \varphi(y_{vi}(X)) \, dX = \int_{y_{vi}(\omega)} \varphi(\xi) \, d\xi$$

for every measurable set $\omega \subseteq \Omega$ and every measurable function $\varphi : y_{vi}(\omega) \rightarrow \mathbb{R}^d$. Note that $y_{vi} \in W^{1,p}(\Omega; \mathbb{R}^d)$ has *distortion* $K := |\nabla y_{vi}|^d / \det \nabla y_{vi} = |\nabla y_{vi}|^d \in L^{p_{vi}/d}(\Omega; \mathbb{R})$, since it is locally volume preserving. As $p_{vi}/d > d - 1$, this bound on the distortion K implies that y_{vi} is either constant or open [13, Theorem 3.4]. By the Ciarlet-Nečas condition (3.1), y_{vi} cannot be constant, and hence y_{vi} is open. In particular $y_{vi}(\Omega)$ is an open set. Moreover, we also have that y_{vi} is (globally) injective [11, Lemma 3.3], and that y_{vi} is actually a homeomorphism with inverse $y_{vi}^{-1} \in W^{1,p_{vi}/(d-1)}$ (see [8]).

In order to make the statement of the model precise, we need to require some regularity of the intermediate configuration $y_{vi}(\Omega)$. We recall the following definition.

Definition 3.1 ((η_1, η_2) -Jones domain [14]). *Let $\eta_1, \eta_2 > 0$. A bounded open set $\omega \subset \mathbb{R}^d$ is said to be a (η_1, η_2) -Jones domain, if for every $x, y \in \omega$ with $|x - y| < \eta_2$ there exists a Lipschitz curve $\gamma \in W^{1,\infty}([0, 1]; \omega)$ with $\gamma(0) = x$ and $\gamma(1) = y$ satisfying the following two conditions:*

$$l(\gamma) := \int_0^1 |\dot{\gamma}(s)| \, ds \leq \frac{1}{\eta_1} |x - y|$$

and

$$d(\gamma(t), \partial\omega) \geq \eta_1 \frac{|x - \gamma(t)| |\gamma(t) - y|}{|x - y|} \quad \text{for every } t \in [0, 1].$$

The set of (η_1, η_2) -Jones domains will be denoted by $\mathcal{J}_{\eta_1, \eta_2}$.

In the following, we will exploit the fact that (η_1, η_2) -Jones domains are *Sobolev extension domains*: for all $\eta_1, \eta_2 > 0$, $p \in [1, \infty)$, and all $\omega \in \mathcal{J}_{\eta_1, \eta_2}$ there exists a positive constant $C = C(\eta_1, \eta_2, p, \omega, d)$ and a linear operator $E : W^{1,p}(\omega; \mathbb{R}^d) \rightarrow W^{1,p}(\mathbb{R}^d; \mathbb{R}^d)$ such that $Ey = y$ on ω and

$$\|Ey\|_{W^{1,p}(\mathbb{R}^d)} \leq C \|y\|_{W^{1,p}(\omega)} \quad \text{for every } y \in W^{1,p}(\omega; \mathbb{R}^d).$$

Note that the class of (η_1, η_2) -Jones domains is closed under Hausdorff convergence [17]. In the following, we will need to consider extensions and we then ask for the regularity

$$y_{vi}(\Omega) \in \mathcal{J}_{\eta_1, \eta_2}.$$

Finally, since the problem will be formulated only in terms of the gradient of y_{vi} , we impose the normalisation condition

$$\int_{\Omega} y_{vi} \, dX = 0. \quad (3.2)$$

Given a viscous deformation y_{vi} , we assume the elastic deformation to fulfill

$$y_{el} \in W^{1,p_{el}}(y_{vi}(\Omega); \mathbb{R}^d) \quad \text{for some } p_{el} > d$$

and we tacitly identify y_{el} with its Hölder-continuous representative.

For all given viscous deformation $y_{vi} : \Omega \rightarrow \mathbb{R}^d$ and elastic deformation $y_{el} : y_{vi}(\Omega)^\circ \rightarrow \mathbb{R}^d$, we define the total deformation as the composition of the two, i.e.,

$$y := y_{el} \circ y_{vi} : \Omega \rightarrow \mathbb{R}^d.$$

We assume that y satisfies a Dirichlet boundary condition on Γ_D , namely,

$$y = \text{id} \quad \text{on } \Gamma_D. \quad (3.3)$$

Since y_{vi} is invertible and both y_{vi} and y_{el} are almost everywhere differentiable, the following chain rule

$$\nabla y(X) = \nabla y_{el}(y_{vi}(X)) \nabla y_{vi}(X)$$

holds for almost every $X \in \Omega$. Hence, y satisfies

$$\|\nabla y\|_{L^q(\Omega)} \leq \|\nabla y_{el}\|_{L^{p_{el}}(y_{vi}(\Omega))} \|\nabla y_{vi}\|_{L^{p_{vi}}(\Omega)} \quad \text{where} \quad \frac{1}{q} := \frac{1}{p_{el}} + \frac{1}{p_{vi}},$$

as can be readily checked by a change of variables and by the Hölder inequality. In particular, the boundary condition (3.3) should be understood in the classical trace sense.

To sum up, the set of *admissible states* is defined as

$$\mathcal{A} := \left\{ (y_{el}, y_{vi}) \in W^{1,p_{el}}(y_{vi}(\Omega); \mathbb{R}^d) \times W^{1,p_{vi}}(\Omega; \mathbb{R}^d) \mid \det \nabla y_{vi} = 1 \text{ a.e. in } \Omega, \right. \\ \left. \int_{\Omega} y_{vi} \, dX = 0, \quad |\Omega| = |y_{vi}(\Omega)|, \quad y_{vi}(\Omega) \in \mathcal{J}_{\eta_1, \eta_2}, \quad y = y_{el} \circ y_{vi} = \text{id} \text{ on } \Gamma_D \right\}.$$

Viscoelastic states are naturally depending on time. From now on, we are hence interested in *trajectories* $(y_{el}, y_{vi}) : [0, T] \rightarrow \mathcal{A}$ in the set of admissible states.

4. MAIN RESULTS

We devote this section to the statements of our assumptions and our main results.

4.1. Assumptions for the existence theory. In this section we specify the assumptions needed for the existence results, namely, Proposition 4.1 and Theorem 4.1.

The *total energy* of the system at time $t \in [0, T]$ and state $(y_{el}, y_{vi}) \in \mathcal{A}$ is given by

$$\mathcal{E}(t, y_{el}, y_{vi}) := \mathcal{W}(y_{el}, y_{vi}) - \langle \ell(t), y_{el} \circ y_{vi} \rangle,$$

where $\mathcal{W}(y_{el}, y_{vi})$ is the *stored energy* and the pairing $\langle \ell(t), y_{el} \circ y_{vi} \rangle$ represents the work of *external mechanical actions*.

More precisely, the stored energy is defined as

$$\mathcal{W}(y_{el}, y_{vi}) := \int_{y_{vi}(\Omega)} W_{el}(\nabla y_{el}(\xi)) \, d\xi + \int_{\Omega} W_{vi}(\nabla y_{vi}(X)) \, dX$$

where $W_{el} : \mathbb{R}^{d \times d} \rightarrow \mathbb{R}$ and $W_{vi} : \mathbb{R}^{d \times d} \rightarrow \mathbb{R} \cup \{\infty\}$ are the stored *elastic* and the stored *viscous* energy densities, respectively. On the energy densities we assume that:

(E1) there exist positive constants c_1, c_2 such that

$$c_1 |A|^{p_{el}} \leq W_{el}(A) \leq \frac{1}{c_1} (1 + |A|^{p_{el}}) \quad \text{for every } A \in GL(d), \quad (4.1)$$

$$W_{\text{vi}}(A) \geq \begin{cases} c_2 |A|^{p_{\text{vi}}} - \frac{1}{c_2} & \text{for every } A \in SL(d) \\ \infty & \text{otherwise,} \end{cases} \quad (4.2)$$

for $p_{\text{el}} > d$ and $p_{\text{vi}} > d(d-1)$.

(E2) $W_{\text{el}}, W_{\text{vi}}$ are polyconvex, i.e., there exist two convex functions $\hat{W}_{\text{el}}, \hat{W}_{\text{vi}} : \mathbb{R}^{\zeta(d)} \rightarrow \mathbb{R} \cup \{\infty\}$ such that

$$W_{\text{el}}(A) = \hat{W}_{\text{el}}(T(A)) \quad \text{and} \quad W_{\text{vi}}(A) = \hat{W}_{\text{vi}}(T(A))$$

where the minors $T(A)$ of A are given by $T : \mathbb{R}^{d \times d} \rightarrow \mathbb{R}^{\zeta(d)}$

$$T(A) := (A, \text{adj}_2 A, \dots, \text{adj}_d A).$$

Here, $\text{adj}_s A$ denotes the matrix of all minors $s \times s$ of the matrix $A \in \mathbb{R}^{d \times d}$, for $s = 2, \dots, d$ and $\zeta(d) := \sum_{s=1}^d \binom{s}{d}^2$.

Notice that, since $p_{\text{vi}} > d$, the mapping $y_{\text{vi}} \mapsto \text{adj}_s \nabla y_{\text{vi}}$ is $(W^{1,p_{\text{vi}}}, L^{p_{\text{vi}}/s})$ -weakly sequentially continuous. Hence, given $y_{\text{vi},n} \rightharpoonup y_{\text{vi}}$ in $W^{1,p_{\text{vi}}}(\Omega; \mathbb{R}^d)$ with $\det \nabla y_{\text{vi},n} = 1$ almost everywhere in Ω , we have that

$$1 = \det \nabla y_{\text{vi},n} \rightharpoonup \det \nabla y_{\text{vi}} = 1 \quad \text{in } L^{p_{\text{vi}}/d}(\Omega).$$

As $\nabla y_{\text{vi}}(X) \in SL(d)$ a.e. in Ω , we have that

$$\int_{\Omega} W_{\text{vi}}(\nabla y_{\text{vi}}(X)) \, dX \leq \liminf_n \int_{\Omega} W_{\text{vi}}(\nabla y_{\text{vi},n}(X)) \, dX$$

by polyconvexity of W_{vi} . In particular, $y_{\text{vi}} \mapsto \int_{\Omega} W_{\text{vi}}(\nabla y_{\text{vi}}(X)) \, dX$ is weakly lower semicontinuous in $W^{1,p_{\text{vi}}}(\Omega; \mathbb{R}^d)$.

The growth condition (4.2) ensures that all viscous deformations y_{vi} of finite energy are incompressible. Local elastic incompressibility $\det \nabla y_{\text{el}} = 1$ or even the weaker $\det \nabla y_{\text{el}} > 0$ cannot be required, however. This is due to the fact that we later need to consider the Sobolev extension of y_{el} from the moving domain $y_{\text{vi}}(\Omega)$ to \mathbb{R}^d in order to compute the limit of an infimizing sequence. As it is well-known, such extensions may not preserve the positivity of $\det \nabla y_{\text{el}}$.

On the other hand, our assumptions on the elastic energy density are compatible with *frame indifference*. In particular, we could ask $W_{\text{el}}(RA) = W_{\text{el}}(A)$ for every rotation $R \in SO(d)$ and every $A \in \mathbb{R}^{d \times d}$. Note nonetheless that this property, although fundamental from the mechanical standpoint, is actually not needed for the analysis. The above assumptions would be compatible with requiring that W_{vi} is invariant by left multiplication with special rotations, as well. Still, such an invariance would be little relevant from the modeling viewpoint, for the viscous energy density is defined on viscous deformations, which take values in the intermediate configuration.

Eventually, the work of external mechanical actions is assumed to result from a given time-dependent *body force* $f : [0, T] \times \Omega \rightarrow \mathbb{R}^d$ and a given time-dependent boundary *traction* $g : [0, T] \times \Gamma_N \rightarrow \mathbb{R}^d$ as follows

$$\langle \ell(t), y \rangle := \int_{\Omega} f(t, X) \cdot y(X) \, dX + \int_{\Gamma_N} g(t, X) \cdot y(X) \, d\mathcal{H}^{d-1}(X). \quad (4.3)$$

We assume

(E3) $f \in W^{1,\infty}(0, T; L^{(q^*)'}(\Omega; \mathbb{R}^d))$ and $g \in W^{1,\infty}(0, T; L^{(q^\#)'}(\Gamma_N; \mathbb{R}^d))$ where q^* and $q^\#$ are the Sobolev and trace exponent related to $W^{1,q}(\Omega; \mathbb{R}^d)$, respectively (see [34]) and the prime denotes conjugation.

Consequently, we have

$$\ell \in W^{1,\infty}(0, T; (W^{1,q}(\Omega; \mathbb{R}^d))^*),$$

where $(W^{1,q}(\Omega; \mathbb{R}^d))^*$ is the dual space of $W^{1,q}(\Omega; \mathbb{R}^d)$.

Given a time-dependent viscous trajectory $y_{vi} : [0, T] \rightarrow W^{1,p_{vi}}(\Omega; \mathbb{R}^d)$, we define the *total instantaneous dissipation* of the system [27] as

$$\Psi(y_{vi}, \dot{y}_{vi}) := \int_{\Omega} \psi(\nabla \dot{y}_{vi}(\nabla y_{vi})^{-1}) \, dX. \quad (4.4)$$

Here and in the following, the dot represent a partial derivative with respect to time. Above, the dissipation density $\psi : \mathbb{R}^{d \times d} \rightarrow [0, \infty)$ is assumed to be:

(E4) convex and differentiable at 0 with $\psi(0) = 0$;

(E5) fulfilling

$$\psi(A) \geq c_3 |A|^{p_\psi} \quad \text{for every } A \in \mathbb{R}^{d \times d} \quad (4.5)$$

for some positive constant c_3 ;

(E6) positively p_ψ -homogeneous, namely

$$\psi(\lambda A) = \lambda^{p_\psi} \psi(A) \quad \text{for every } A \in \mathbb{R}^{d \times d}, \lambda \geq 0. \quad (4.6)$$

The form of the instantaneous dissipation is parallel to the analogous definition in elastoplasticity, where nonetheless ψ is assumed to be positively 1-homogeneous, namely $p_\psi = 1$ [22, 23]. In particular, let us explicitly point out that it does not fall within the frame-indifferent setting from [1]. Indeed, in this case viscous deformations take values in the intermediate configuration only and frame-indifference should not necessarily be imposed there.

In the following, we ask

$$p_\psi \geq 2 \geq \frac{d(d-1)}{d(d-1)-1} \quad (4.7)$$

where we have used $d \geq 2$. In particular, we have that $p'_\psi < p_\psi$ and, by defining p_r by $1/p_r := 1/p_\psi + 1/p_{vi}$, one has that $p_r > 1$. Again by Hölder's Inequality, this entails that

$$\|\nabla \dot{y}_{vi}\|_{L^{p_r}(\Omega)} \leq \|\nabla \dot{y}_{vi}(\nabla y_{vi})^{-1}\|_{L^{p_\psi}(\Omega)} \|\nabla y_{vi}\|_{L^{p_{vi}}(\Omega)} \leq c \Psi(y_{vi}, \dot{y}_{vi}) (\mathcal{W}(y_{el}, y_{vi})^{1/p_{vi}} + 1).$$

In particular, $\nabla \dot{y}_{vi}$ belongs to $L^{p_r}(\Omega; \mathbb{R}^{d \times d})$ with $p_r > 1$ whenever energy and dissipation are finite.

Here and in the following, the symbol c denotes a generic positive constant, possibly depending on data and changing from line to line.

4.2. Existence results. Before presenting the statements of our main results, we make the notion of solution to the problem precise. To this aim, let $\Pi_\tau := \{0 = t_0 < t_1 < \dots < t_N = T\}$ denote the uniform partition of the time interval $[0, T]$ with time step $t_i - t_{i-1} = \tau > 0$ for every $i = 1, \dots, N$; $N = T/\tau$. From now on, let $(y_{el,0}, y_{vi,0})$ be a compatible initial condition, i.e.,

$$(y_{el,0}, y_{vi,0}) \in \mathcal{A} \text{ with } \mathcal{E}(0, y_{el,0}, y_{vi,0}) < \infty. \quad (4.8)$$

Given $(y_{el}^0, y_{vi}^0) := (y_{el,0}, y_{vi,0})$, for all $i = 1, \dots, N$ we define the incremental minimization problems

$$\min_{(y_{el}, y_{vi}) \in \mathcal{A}} \left\{ \mathcal{E}(t_i, y_{el}, y_{vi}) + \tau \Psi \left(y_{vi}^{i-1}, \frac{y_{vi} - y_{vi}^{i-1}}{\tau} \right) \right\}. \quad (4.9)$$

We call a sequence of minimizers $(y_{el}^i, y_{vi}^i)_{i=0}^N$ of (4.9) an *incremental solution* of the problem corresponding to time step τ .

Note that incremental solutions exist. In particular, we have the following.

Proposition 4.1 (Existence of incremental solutions). *Under assumptions (E1), (E2), (E3), (E4), and (E5) of Section 4.1 and (4.8) the incremental minimization problem (4.9) admits an incremental solution $(y_{\text{el}}^i, y_{\text{vi}}^i)_{i=0}^N \subset \mathcal{A}$.*

The proof of Proposition 4.1 is given in Section 5.

In the following, we make use of the following notation for interpolations. Given a vector (u_0, \dots, u_N) , we define its backward-constant interpolant \bar{u}_τ , its forward-constant interpolant \underline{u}_τ , and its piecewise-affine interpolant \hat{u}_τ on the partition Π_τ as

$$\begin{aligned} \bar{u}_\tau(0) &:= u_0, & \bar{u}_\tau(t) &:= u_i & \text{if } t \in (t_{i-1}, t_i] & \text{for } i = 1, \dots, N, \\ \underline{u}_\tau(T) &:= u_N, & \underline{u}_\tau(t) &:= u_{i-1} & \text{if } t \in [t_{i-1}, t_i) & \text{for } i = 1, \dots, N, \\ \hat{u}_\tau(0) &:= u_0, & \hat{u}_\tau(t) &:= \frac{u_i - u_{i-1}}{t_i - t_{i-1}}(t - t_{i-1}) + u_{i-1} & \text{if } t \in (t_{i-1}, t_i] & \text{for } i = 1, \dots, N. \end{aligned}$$

We are now in the position of introducing our notion of solution to the large-strain Poynting-Thomson model.

Definition 4.1 (Approximable solution). *We call $(y_{\text{el}}, y_{\text{vi}}) : [0, T] \rightarrow \mathcal{A}$ an approximable solution if there exist a sequence of uniform partitions of the interval $[0, T]$ with mesh size $\tau \rightarrow 0$, corresponding incremental solutions $(y_{\text{el}}^i, y_{\text{vi}}^i)_{i=0}^N$, and a nondecreasing function $\delta : [0, T] \rightarrow [0, \infty)$ such that, for every $0 \leq s \leq t \leq T$,*

Approximation:

$$\begin{aligned} (\bar{y}_{\text{el}, \tau}(t), \bar{y}_{\text{vi}, \tau}(t)) &\rightharpoonup (y_{\text{el}}(t), y_{\text{vi}}(t)) \text{ in } W_{\text{loc}}^{1, p_{\text{el}}}(y_{\text{vi}}(t, \Omega); \mathbb{R}^d) \times W^{1, p_{\text{vi}}}(\Omega; \mathbb{R}^d), \\ \int_0^t \Psi \left(\underline{y}_{\text{vi}, \tau}, \dot{\hat{y}}_{\text{vi}, \tau} \right) &\rightarrow \delta(t), \\ \int_s^t \Psi \left(\underline{y}_{\text{vi}, \tau}, \dot{\hat{y}}_{\text{vi}, \tau} \right) &\leq \delta(t) - \delta(s), \end{aligned}$$

Energy inequality:

$$\mathcal{E}(t, y_{\text{el}}, y_{\text{vi}}) + p_\psi \delta(t) \leq \mathcal{E}(0, y_{\text{el}, 0}, y_{\text{vi}, 0}) - \int_0^t \langle \dot{\ell}(s), y \rangle, \quad (4.10)$$

Semistability:

$$\mathcal{E}(t, y_{\text{el}}(t), y_{\text{vi}}(t)) \leq \mathcal{E}(t, \tilde{y}_{\text{el}}, y_{\text{vi}}(t)) \quad \forall \tilde{y}_{\text{el}} \text{ with } (\tilde{y}_{\text{el}}, y_{\text{vi}}(t)) \in \mathcal{A}. \quad (4.11)$$

Our first main result concerns the existence of approximable solutions.

Theorem 4.1 (Existence of approximable solutions). *Under the assumptions (E1), (E2), (E3), (E4), (E5), and (E6) of Section 4.1 and (4.8) there exists an approximable solution $(y_{\text{el}}, y_{\text{vi}}) : [0, T] \rightarrow \mathcal{A}$.*

The proof of Theorem 4.1 is detailed in Section 6.

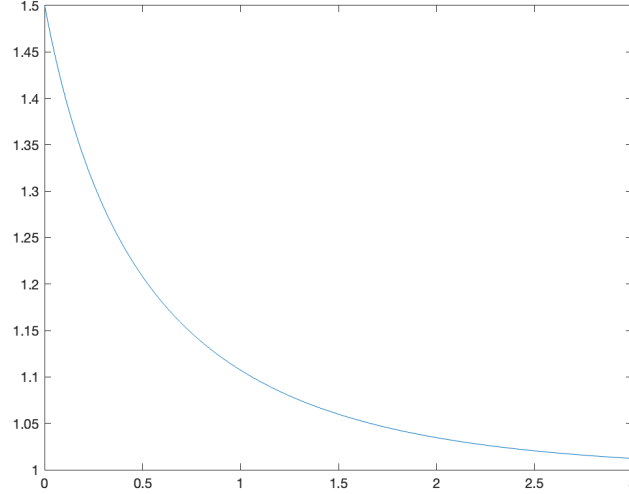


FIGURE 2. Evolution of the viscous strain $t \in [0, 3] \mapsto F_{vi}(t)$ in the limit $\tau \rightarrow 0$ from problem (4.12), starting from $F_{vi}^0 = 1.5$.

As already mentioned in the introduction, the fact that solutions are *approximable* ensures that viscous evolution actually occurs, even in absence of applied loads. We show this fact by resorting to the simplest, scalar model at a single material point. We consider the energy densities, the dissipation to be quadratic, and that no loading is present, i.e. $\ell(t) \equiv 0$ for every $t \in [0, T]$. In this setting, the discrete incremental problem (4.9) is specified as

$$\min_{F \in \mathbb{R}, F_{vi} > 0} \left(\frac{1}{2} |FF^{-1} - 1|^2 + \frac{1}{2} |F_{vi} - 1|^2 + \frac{1}{2\tau} |(F_{vi} - F_{vi}^{i-1})(F_{vi}^{i-1})^{-1}| \right) \quad \text{for } i = 1, \dots, N, \quad (4.12)$$

where $F \in \mathbb{R}$ and $F_{vi} > 0$ represent the total and viscous (scalar) strains, respectively. Take now initial values (F^0, F_{vi}^0) with $F_{vi}^0 \neq 1$, so that some nonvanishing viscous stress present at time 0. In this case, it is easy to check that the constant in time solution (F^0, F_{vi}^0) satisfies the energy inequality and semistability, but it is not approximable. This implies that the the viscous strain F_{vi} corresponding to an approximable solution must evolve with time, see Figure 2.

4.3. Assumptions for the linearization theory. In addition to the assumptions stated in Section 4.1, we will require the following conditions in order to prove the linearization result.

On the stored elastic energy density W_{el} we assume that:

- (L1) W_{el} is locally Lipschitz;
- (L2) W_{el} satisfies the growth condition

$$W_{el}(A) \geq c_4 \text{dist}^2(A, SO(d)) \quad (4.13)$$

for some $c_4 > 0$;

- (L3) there exists a positive definite tensor \mathbb{C}_{el} such that, for every $\delta > 0$, there exists $c_{el}(\delta) > 0$ satisfying

$$|W_{el}(I + A) - |A|_{\mathbb{C}_{el}}^2| \leq \delta |A|_{\mathbb{C}_{el}}^2 \quad \text{for every } A \in B_{c_{el}(\delta)}(0). \quad (4.14)$$

In particular these conditions imply that \mathbb{C}_{el} is symmetric and

$$c_4 |A^{\text{sym}}|^2 \leq |A|_{\mathbb{C}_{\text{el}}}^2 \quad \text{for every } A \in \mathbb{R}^{d \times d}.$$

We can also equivalently state inequality (4.14) as follows:

$$(1 - \delta) |A|_{\mathbb{C}_{\text{el}}}^2 \leq W_{\text{el}}(I + A) \leq (1 + \delta) |A|_{\mathbb{C}_{\text{el}}}^2 \quad \text{for every } A \in B_{c_{\text{el}}(\delta)}(0). \quad (4.15)$$

Concerning the viscous stored energy density W_{vi} we ask that

(L4)

$$W_{\text{vi}}(A) = \begin{cases} \widetilde{W}_{\text{vi}}(A) & \text{if } A \in K \\ \infty & \text{otherwise,} \end{cases}$$

where $K \subset\subset SL(d)$ contains a neighbourhood of the identity;

(L5) $\widetilde{W}_{\text{vi}}$ is locally Lipschitz continuous in a neighbourhood of the identity and

$$\widetilde{W}_{\text{vi}}(I + A) \geq c_5 |A|^2 \quad \text{for every } A \in \mathbb{R}^{d \times d} \text{ with } I + A \in K \quad (4.16)$$

for some $c_5 > 0$;

(L6) there exists a positive definite tensor \mathbb{C}_{vi} such that, for every $\delta > 0$, there exists $c_{\text{vi}}(\delta) > 0$ satisfying

$$\left| \widetilde{W}_{\text{vi}}(I + A) - |A|_{\mathbb{C}_{\text{vi}}}^2 \right| \leq \delta |A|_{\mathbb{C}_{\text{vi}}}^2 \quad \text{for every } A \in B_{c_{\text{vi}}(\delta)}(0),$$

or, equivalently,

$$(1 - \delta) |A|_{\mathbb{C}_{\text{vi}}}^2 \leq \widetilde{W}_{\text{vi}}(I + A) \leq (1 + \delta) |A|_{\mathbb{C}_{\text{vi}}}^2 \quad \text{for every } A \in B_{c_{\text{vi}}(\delta)}(0). \quad (4.17)$$

As above we have that

$$c_5 |A^{\text{sym}}|^2 \leq |A|_{\mathbb{C}_{\text{vi}}}^2 \quad \text{for every } A \in \mathbb{R}^{d \times d}.$$

Moreover, there exists a constant $c_K > 0$ (depending only on the compact set K) such that

$$|A| + |A^{-1}| \leq c_K \quad \text{for every } A \in K \quad (4.18)$$

and

$$|A - I| \geq \frac{1}{c_K} \quad \text{for every } A \in SL(d) \setminus K.$$

These last two inequalities will provide L^∞ -bounds on the terms $\varepsilon \nabla v$ and $(I + \varepsilon \nabla v)^{-1}$ later on. Note however that the effect of the constraint K will disappear as $\varepsilon \rightarrow 0$. In particular, the limiting linearized problem is independent of K .

On the forcing term ℓ^0 we assume that

(L7) $\ell^0 \in W^{1,1}(0, T; (H^1(\Omega; \mathbb{R}^d))^*)$.

Finally, on the dissipation density ψ we assume that

(L8) ψ satisfies the growth condition

$$\psi(A) \geq c_6 |A|^2 \quad \text{for every } A \in \mathbb{R}^{d \times d} \quad (4.19)$$

for some $c_6 > 0$;

(L9) there exists a positive definite tensor \mathbb{D} such that, for every $\delta > 0$, there exists $c_\psi(\delta) > 0$ satisfying

$$|\psi(A) - |A|_{\mathbb{D}}^2| \leq \delta |A|_{\mathbb{D}}^2 \quad \text{for every } A \in B_{c_\psi(\delta)}(0); \quad (4.20)$$

(L10) ψ is positively 2-homogeneous, i.e.,

$$\psi(\lambda A) = \lambda^2 \psi(A) \quad \text{for every } A \in \mathbb{R}^{d \times d}, \lambda \geq 0.$$

The specification $p_\psi = 2$ of assumption (L10) (compare with the more general $p_\psi \geq 2$ from (E6)) is just needed in the linearization setting to recover the linearized energy inequality (4.24) below.

4.4. Linearization result. Before moving on, let us reformulate the setting and the existence results of Proposition 4.1 and Theorem 4.1 in terms of the linearization variables u and v . For all $\varepsilon > 0$ fixed, the admissible set \mathcal{A} is equivalently rewritten as

$$\tilde{\mathcal{A}}_\varepsilon := \left\{ (u, v) \in W^{1,q}(\Omega; \mathbb{R}^d) \times W^{1,p_{\text{vi}}}(\Omega; \mathbb{R}^d) \left| \begin{array}{l} u = 0 \text{ on } \Gamma_D, \det(I + \varepsilon \nabla v) = 1, \\ \int_\Omega v \, dX = 0, |\Omega| = |(\text{id} + \varepsilon v)(\Omega)|, (\text{id} + \varepsilon v)(\Omega) \in \mathcal{J}_{\eta_1, \eta_2} \end{array} \right. \right\},$$

where we recall that Ω is chosen to be such that $\int_\Omega X \, dX = 0$ so that

$$0 \stackrel{(3.2)}{=} \int_\Omega y_{\text{vi}} \, dX = \int_\Omega (\text{id} + \varepsilon v) \, dX = \varepsilon \int_\Omega v \, dX.$$

We use the following notation for the rescaled energies and dissipation

$$\begin{aligned} \mathcal{W}_{\text{el}}^\varepsilon(u, v) &:= \frac{1}{\varepsilon^2} \int_\Omega W_{\text{el}}((I + \varepsilon \nabla u)(I + \varepsilon \nabla v)^{-1}), \\ \mathcal{W}_{\text{vi}}^\varepsilon(v) &:= \frac{1}{\varepsilon^2} \int_\Omega W_{\text{vi}}(I + \varepsilon \nabla v), \\ \Psi^\varepsilon(v, \dot{v}) &:= \frac{1}{\varepsilon^2} \int_\Omega \psi(\varepsilon \nabla \dot{v}(I + \varepsilon \nabla v)^{-1}). \end{aligned}$$

Their corresponding linearized counterparts read

$$\begin{aligned} \mathcal{W}_{\text{el}}^0(u, v) &:= \frac{1}{2} \int_\Omega \nabla(u-v) : \mathbb{C}_{\text{el}} \nabla(u-v), \\ \mathcal{W}_{\text{vi}}^0(v) &:= \frac{1}{2} \int_\Omega \nabla v : \mathbb{C}_{\text{vi}} \nabla v, \\ \Psi^0(\dot{v}) &:= \frac{1}{2} \int_\Omega \mathbb{D} \nabla \dot{v} : \nabla \dot{v}. \end{aligned}$$

We also define for brevity

$$\mathcal{E}^\varepsilon(u, v) := \mathcal{W}_{\text{vi}}^\varepsilon(v) + \mathcal{W}_{\text{el}}^\varepsilon(u, v) - \langle \ell^0, u \rangle \quad \text{and} \quad \mathcal{E}^0(u, v) := \mathcal{W}_{\text{vi}}^0(v) + \mathcal{W}_{\text{el}}^0(u, v) - \langle \ell^0, u \rangle.$$

Finally, let $(u_\varepsilon^0, v_\varepsilon^0) \in \tilde{\mathcal{A}}_\varepsilon$ be a *well-prepared* sequence of initial data, namely

$$(u_\varepsilon^0, v_\varepsilon^0) \rightharpoonup (u^0, v^0) \text{ in } H^1(\Omega) \times H^1(\Omega) \quad \text{and} \quad \lim_{\varepsilon \rightarrow 0} \mathcal{E}^\varepsilon(u_\varepsilon^0, v_\varepsilon^0) = \mathcal{E}^0(u^0, v^0) \quad (4.21)$$

Proposition 4.1 and Theorem 4.1 can therefore be rewritten in terms of the new variables (u, v) and in the presence of the rescaling prefactor $1/\varepsilon^2$ as follows.

Corollary 4.1 (Existence in terms of $(u_\varepsilon, v_\varepsilon)$). *Under the assumptions (E1), (E2), (E3), (E4), (E5), and (L10) of Section 4.1 and (4.21) for every $\varepsilon > 0$ there exist a sequence of partitions $(\Pi_{\tau^\varepsilon})_{\tau^\varepsilon}$ of the interval $[0, T]$ with mesh size $\tau^\varepsilon \rightarrow 0$ and functions $(u_\varepsilon, v_\varepsilon) : [0, T] \rightarrow \tilde{\mathcal{A}}_\varepsilon$ such that for every $t \in [0, T]$*

Approximation:

$$(\bar{u}_{\tau^\varepsilon}(t), \bar{v}_{\tau^\varepsilon}(t)) \rightharpoonup (u_\varepsilon(t), v_\varepsilon(t)) \text{ in } W^{1,q}(\Omega; \mathbb{R}^d) \times W^{1,p_{vi}}(\Omega; \mathbb{R}^d)$$

Energy inequality:

$$\begin{aligned} & \mathcal{W}_{vi}^\varepsilon(v_\varepsilon(t)) + \mathcal{W}_{el}^\varepsilon(u_\varepsilon(t), v_\varepsilon(t)) - \langle \ell^0, u_\varepsilon(t) \rangle + 2 \int_0^t \Psi^\varepsilon(v_\varepsilon, \dot{v}_\varepsilon) \\ & \leq \mathcal{W}_{vi}^\varepsilon(v_\varepsilon^0) + \mathcal{W}_{el}^\varepsilon(u_\varepsilon^0, v_\varepsilon^0) - \int_0^t \langle \dot{\ell}^0, u_\varepsilon \rangle \end{aligned} \quad (4.22)$$

Semistability:

$$\begin{aligned} & \mathcal{W}_{el}^\varepsilon(u_\varepsilon(t), v_\varepsilon(t)) - \langle \ell^\varepsilon(t), u_\varepsilon(t) \rangle \leq \mathcal{W}_{el}^\varepsilon(\tilde{u}_\varepsilon, v_\varepsilon(t)) - \langle \ell^\varepsilon(t), \tilde{u}_\varepsilon(t) \rangle \\ & \quad \forall \tilde{u}_\varepsilon \text{ with } (\tilde{u}_\varepsilon, v_\varepsilon(t)) \in \tilde{\mathcal{A}}_\varepsilon. \end{aligned} \quad (4.23)$$

In the following result, we show that a sequence $(u_\varepsilon, v_\varepsilon)_\varepsilon$ of approximable solutions at level ε converges weakly to (u, v) satisfying the linearized energy and the linearized semistability inequalities.

Theorem 4.2 (Linearization). *For every $\varepsilon > 0$ let $(u_\varepsilon, v_\varepsilon)$ be an approximable solutions given as in Corollary 4.1. Then, under the assumptions (L1), (L2), (L3), (L4), (L5), (L6), (L7), (L8), (L9), and (L10) of Section 4.3 and (4.21) there exist functions $(u, v) : [0, T] \rightarrow H_{\Gamma_D}^1(\Omega; \mathbb{R}^d) \times H_{\#}^1(\Omega; \mathbb{R}^d)$ such that, for every $t \in [0, T]$, up to a not relabeled subsequence,*

$$\begin{aligned} & u_\varepsilon(t) \rightharpoonup u(t), \quad v_\varepsilon(t) \rightharpoonup v(t) \text{ weakly in } H^1(\Omega; \mathbb{R}^d), \\ & \quad \nabla \dot{v}_\varepsilon(t) \rightharpoonup \nabla \dot{v}(t) \text{ weakly in } L^2(\Omega; \mathbb{R}^{d \times d}). \end{aligned}$$

Moreover, for every $t \in [0, T]$, we have

Linearized energy inequality:

$$\begin{aligned} & \mathcal{W}_{vi}^0(v(t)) + \mathcal{W}_{el}^0(u(t), v(t)) - \langle \ell^0(t), u(t) \rangle + 2 \int_0^t \Psi^0(\dot{v}(s)) \\ & \leq \mathcal{W}_{vi}^0(v^0) + \mathcal{W}_{el}^0(u^0, v^0) - \langle \ell^0(0), u^0 \rangle - \int_0^t \langle \dot{\ell}^0(s), u(s) \rangle, \end{aligned} \quad (4.24)$$

Linearized semistability:

$$\mathcal{W}_{el}^0(u(t), v(t)) - \langle \ell^0(t), u(t) \rangle \leq \mathcal{W}_{el}^0(\hat{u}, v(t)) - \langle \ell^0(t), \hat{u} \rangle \quad \forall \hat{u} \in H_{\Gamma_D}^1(\Omega; \mathbb{R}^d). \quad (4.25)$$

The proof of Theorem 4.2 is to be found in Section 7 below.

Before moving on, let us remark that the linearized energy inequality (4.24) and the linearized semistability (4.25) cannot be expected to uniquely determine solutions of the linearized problem (2.1)-(2.2). On the other hand, inequalities (4.24)-(4.25) would uniquely characterize solutions

(u, v) to (2.1)-(2.2) if in addition one assumes that (u, v) are *approximable*, namely, are limits of time discretizations of (2.1)-(2.2). Although the trajectories (u, v) are limits of approximable solutions $(u_\varepsilon, v_\varepsilon)$, we are not able to prove that (u, v) are approximable themselves, for the property of being approximable seems not guaranteed to pass to the linearization limit.

5. TIME-DISCRETIZATION SCHEME: PROOF OF PROPOSITION 4.1

To start with, notice that the infimum in the incremental problems (4.9) is finite for every $i = 1, \dots, N_\tau$. Indeed, since the initial condition satisfies $\mathcal{E}(0, y_{\text{el}}^0, y_{\text{vi}}^0) < \infty$, by arguing by induction and choosing $(y_{\text{el}}, y_{\text{vi}}) = (y_{\text{el}}^{i-1}, y_{\text{vi}}^{i-1})$, we get that

$$\mathcal{E}(t_i, y_{\text{el}}, y_{\text{vi}}) + \tau \Psi \left(y_{\text{vi}}^{i-1}, \frac{y_{\text{vi}} - y_{\text{vi}}^{i-1}}{\tau} \right) = \mathcal{E}(t_i, y_{\text{el}}^{i-1}, y_{\text{vi}}^{i-1}) < \infty.$$

Fix now $1 \leq i \leq N$ and let $(y_{\text{el},m}^i, y_{\text{vi},m}^i)_{m \in \mathbb{N}} = (y_{\text{el},m}, y_{\text{vi},m})_{m \in \mathbb{N}} \subset \mathcal{A}$ be an infimizing sequence for problem (4.9) at time step i .

5.1. Coercivity. Let us first show that $(y_{\text{el},m}, y_{\text{vi},m})_{m \in \mathbb{N}}$ is bounded in $W^{1,p_{\text{el}}}(y_{\text{vi},m}(\Omega); \mathbb{R}^d) \times W^{1,p_{\text{vi}}}(\Omega; \mathbb{R}^d)$. This requires some care since $y_{\text{el},m}$ is defined on the moving domain $y_{\text{vi},m}(\Omega)$. Since the infimum is finite, we have by (4.1) and (4.2)

$$c_1 \int_{y_{\text{vi},m}(\Omega)} |\nabla y_{\text{el},m}|^{p_{\text{el}}} + c_2 \int_{\Omega} |\nabla y_{\text{vi},m}|^{p_{\text{vi}}} - \frac{|\Omega|}{c_2} \leq \mathcal{W}(y_{\text{el},m}, y_{\text{vi},m}) \leq c - \langle \ell(t_i), y_m \rangle$$

where we have posed $y_m := y_{\text{el},m} \circ y_{\text{vi},m}$. The loading term can be controlled as follows

$$\begin{aligned} |\langle \ell(t_i), y_m \rangle| &\leq \|\ell(t_i)\|_{(W^{1,q}(\Omega))^*} \|y_m\|_{W^{1,q}(\Omega)} \leq c \|\ell(t_i)\|_{(W^{1,q}(\Omega))^*} \|\nabla y_m\|_{L^q(\Omega)} \\ &\stackrel{\text{Hölder}}{\leq} c \|\ell(t_i)\|_{(W^{1,q}(\Omega))^*} \|\nabla y_{\text{el},m}\|_{L^{p_{\text{el}}}(y_{\text{vi},m}(\Omega))} \|\nabla y_{\text{vi},m}\|_{L^{p_{\text{vi}}}(\Omega)} \\ &\stackrel{\text{Young}}{\leq} c \|\ell(t_i)\|_{(W^{1,q}(\Omega))^*}^{1/q'} + \frac{c_1}{2} \|\nabla y_{\text{el},m}\|_{L^{p_{\text{el}}}(y_{\text{vi},m}(\Omega))}^{p_{\text{el}}} + \frac{c_2}{2} \|\nabla y_{\text{vi},m}\|_{L^{p_{\text{vi}}}(\Omega)}^{p_{\text{vi}}}. \end{aligned}$$

This entails that

$$\|\nabla y_{\text{el},m}\|_{L^{p_{\text{el}}}(y_{\text{vi},m}(\Omega))}^{p_{\text{el}}} + \|\nabla y_{\text{vi},m}\|_{L^{p_{\text{vi}}}(\Omega)}^{p_{\text{vi}}} \leq c,$$

which in turn guarantees that

$$\|\nabla y_m\|_{L^q(\Omega)}^q \leq c.$$

Now, using the growth condition (4.2) and the Poincaré-Wirtinger inequality, recalling that y_{vi} has zero mean, we have that

$$\|y_{\text{vi},m}\|_{W^{1,p_{\text{vi}}}(\Omega)} \leq c.$$

Recalling that y_m satisfies the Dirichlet boundary condition (3.3), by the Poincaré inequality we obtain

$$\|y_m\|_{W^{1,q}(\Omega)} \leq c.$$

A change of variables ensures that

$$\int_{y_{\text{vi},m}(\Omega)} |y_{\text{el},m}|^q d\xi = \int_{\Omega} |y_m|^q dX \leq c$$

so that $\|y_{\text{el},m}\|_{L^q(y_{\text{vi},m}(\Omega))} \leq c$, as well. Again the Poincaré inequality guarantees that

$$\|y_{\text{el},m}\|_{W^{1,p_{\text{el}}}(y_{\text{vi},m}(\Omega))} \leq c. \tag{5.1}$$

Up to a not relabeled subsequence we hence have that

$$\begin{aligned} y_{vi,m} &= y_{vi,m}^i \rightharpoonup y_{vi}^i && \text{in } W^{1,p_{vi}}(\Omega; \mathbb{R}^d) \\ y_m &= y_m^i = y_{vi,m}^i \circ y_{el,m}^i \rightharpoonup y^i && \text{in } W^{1,q}(\Omega; \mathbb{R}^d). \end{aligned} \quad (5.2)$$

We now want to extract a converging subsequence from the elastic deformations $y_{el,m}$, which are however defined on the moving domains $y_{vi,m}(\Omega)$. Consider the trivial extensions $\overline{y_{el,m}}$ and $\overline{\nabla y_{el,m}}$ on the whole \mathbb{R}^d by setting $y_{el,m}$ and $\nabla y_{el,m}$ to be zero on $\mathbb{R}^d \setminus y_{vi,m}(\Omega)$, respectively. Recalling the bound (5.1), we have (up to a subsequence)

$$\begin{aligned} \overline{y_{el,m}} &\rightharpoonup y_{el}^i && \text{in } L^{p_{el}}(\mathbb{R}^d; \mathbb{R}^d) \\ \overline{\nabla y_{el,m}} &\rightharpoonup G && \text{in } L^{p_{el}}(\mathbb{R}^d; \mathbb{R}^{d \times d}). \end{aligned} \quad (5.3)$$

We want to show that $G = \nabla y_{el}^i$ on the limiting set $y_{vi}^i(\Omega)$. By Sobolev embedding, possibly by extracting a further subsequence, we have that $y_{vi,m} \rightarrow y_{vi}^i$ uniformly. Letting $\omega \subset\subset y_{vi}^i(\Omega)$, for m large enough we eventually have that $\omega \subset\subset y_{vi,m}(\Omega)$. By uniqueness of the limit we have $\overline{y_{el,m}} \rightharpoonup y_{el}^i$ in $L^{p_{el}}(\omega; \mathbb{R}^d)$ and $\overline{\nabla y_{el,m}} \rightharpoonup \nabla y_{el}^i = G$ in $L^{p_{el}}(\omega; \mathbb{R}^{d \times d})$. Hence $G = \nabla y_{el}^i$ in every $\omega \subset\subset y_{vi}^i(\Omega)$. An exhaustion argument ensures that $G = \nabla y_{el}^i$ in $y_{vi}^i(\Omega)$.

5.2. Closure of the set of admissible deformations. Let us now check that the weak limit (y_{el}^i, y_{vi}^i) belongs to the admissible set \mathcal{A} . First of all, since $p_{vi} > d$ we have that

$$1 = \det \nabla y_{vi,m}^i \rightharpoonup \det \nabla y_{vi}^i \quad \text{in } L^{p_{vi}/d}(\Omega)$$

and hence $\det \nabla y_{vi}^i = 1$ almost everywhere. On the other hand, Lemmas 3.1 – 3.2 in [17] imply that $y_{vi}^i(\Omega) \in \mathcal{J}_{\eta_1, \eta_2}$. By the linearity of the mean and trace operators and by the weak convergence of $y_{vi,m}^i$, we find $\int_{\Omega} y_{vi}^i dX = 0$ and $y^i = \text{id}$ on Γ_D . Moreover, by [11, Lemma 5.2(i)] we have that

$$|y_{vi,m}^i(\Omega) \Delta y_{vi}^i(\Omega)| \rightarrow 0,$$

where the symbol Δ denotes the symmetric difference, and, for every $\omega \subset \Omega$, that $\mathbb{1}_{y_{vi,m}^i(\omega)} \rightarrow \mathbb{1}_{y_{vi}^i(\omega)}$ almost everywhere in Ω . This implies that y_{vi}^i satisfies the Ciarlet-Nečas condition, since

$$|\Omega| = |y_{vi,m}^i(\Omega)| \rightarrow |y_{vi}^i(\Omega)|.$$

It remains to show that $y^i = y_{el}^i \circ y_{vi}^i$. Let us take any measurable $\omega \subset \Omega$ and consider, by changing variables,

$$\begin{aligned} \int_{\omega} y^i(X) dX &\leftarrow \int_{\omega} y_m(X) dX = \int_{\omega} y_{el,m}(y_{vi,m}(X)) dX = \int_{y_{vi,m}(\omega)} y_{el,m}(\xi) d\xi \\ &= \int_{\mathbb{R}^d} y_{el,m}(\xi) \mathbb{1}_{y_{vi,m}(\omega)}(\xi) d\xi \rightarrow \int_{\mathbb{R}^d} y_{el}^i(\xi) \mathbb{1}_{y_{vi}^i(\omega)}(\xi) d\xi = \int_{\omega} y_{el}^i(y_{vi}^i(X)) dX, \end{aligned}$$

where in the last limit we used the weak convergence of $y_{el,m}$ and the strong convergence of $\mathbb{1}_{y_{vi}^i(\omega)}$. Since $\omega \subset \Omega$ is arbitrary we conclude that $y^i = y_{el}^i \circ y_{vi}^i$. In particular, we have that $(y_{el}^i, y_{vi}^i) \in \mathcal{A}$.

5.3. Weak lower semicontinuity. We aim to show that the functional in (4.9) is weakly lower semicontinuous with respect to the above convergences.

By polyconvexity of the viscous energy density W_{vi} and (5.2), we have

$$\int_{\Omega} W_{vi}(\nabla y_{vi}^i) dX \leq \liminf_{m \rightarrow \infty} \int_{\Omega} W_{vi}(\nabla y_{vi,m}) dX.$$

For what concerns the dissipation, from the weak convergence of $y_{vi,m}$ in $W^{1,p_{vi}}(\Omega)$, we also have

$$\frac{\nabla(y_{vi,m} - y_{vi}^{i-1})}{\tau} (\nabla y_{vi}^{i-1})^{-1} \rightharpoonup \frac{\nabla(y_{vi}^i - y_{vi}^{i-1})}{\tau} (\nabla y_{vi}^{i-1})^{-1} \quad \text{in } L^{p_\psi}(\Omega; \mathbb{R}^{d \times d}).$$

Hence, by the weak lower semicontinuity of Ψ , it follows that

$$\Psi \left(y_{vi}^{i-1}, \frac{y_{vi}^i - y_{vi}^{i-1}}{\tau} \right) \leq \liminf_{m \rightarrow \infty} \Psi \left(y_{vi}^{i-1}, \frac{y_{vi,m} - y_{vi}^{i-1}}{\tau} \right).$$

As the loading term is linear, we have

$$\langle \ell(t_i), y^i \rangle = \lim_{m \rightarrow \infty} \langle \ell(t_i), y_m \rangle$$

by weak convergence of y_m .

Finally, for any $\omega \subset\subset y_{vi}^i(\Omega)$ we can treat the elastic energy as follows

$$\int_{\omega} W_{el}(\nabla y_{el}^i) \, d\xi \leq \liminf_{m \rightarrow \infty} \int_{\omega} W_{el}(\nabla y_{el,m}) \, d\xi \stackrel{(4.1)}{\leq} \liminf_{m \rightarrow \infty} \int_{y_{vi,m}(\Omega)} W_{el}(\nabla y_{el,m}) \, d\xi,$$

where we have used the polyconvexity of W_{el} and convergence (5.3). Taking the supremum over $\omega \subset\subset y_{vi}^i(\Omega)$ we conclude via an exhaustion argument that

$$\int_{y_{vi,m}(\Omega)} W_{el}(\nabla y_{el}) \, d\xi \leq \liminf_{m \rightarrow \infty} \int_{y_{vi,m}(\Omega)} W_{el}(\nabla y_{el,m}) \, d\xi.$$

All in all, we have proved that $(y_{el}^i, y_{vi}^i) \in \mathcal{A}$ and

$$\mathcal{E}(t_i, y_{el}^i, y_{vi}^i) + \tau \Psi \left(y_{vi}^{i-1}, \frac{y_{vi}^i - y_{vi}^{i-1}}{\tau} \right) = \min_{(y_{el}, y_{vi}) \in \mathcal{A}} \left\{ \mathcal{E}(t_i, y_{el}, y_{vi}) + \tau \Psi \left(y_{vi}^{i-1}, \frac{y_{vi} - y_{vi}^{i-1}}{\tau} \right) \right\}$$

so that the assertion of Proposition 4.1 follows.

6. EXISTENCE OF APPROXIMABLE SOLUTIONS: PROOF OF THEOREM 4.1

We split the proof in subsequent steps. The basic energy estimate and its consequences are presented in Subsection 6.1. The energy estimate is then sharpened in Subsection 6.2, leading to the discrete energy inequality. By taking limits as the time step τ goes to 0, the time-continuous energy inequality (4.10) and the time-continuous semistability (4.11) are proved in Subsections 6.3 and 6.4, respectively.

6.1. Energy estimate and its consequences. Let $(y_{el}^i, y_{vi}^i)_{i=0}^N$ be a solution to (4.9). By minimality we have, for every $i = 1, \dots, N$,

$$\begin{aligned} \mathcal{E}(t_i, y_{el}^i, y_{vi}^i) + \tau \Psi \left(y_{vi}^{i-1}, \frac{y_{vi}^i - y_{vi}^{i-1}}{\tau} \right) &\leq \mathcal{E}(t_i, y_{el}^{i-1}, y_{vi}^{i-1}) \\ &= \mathcal{E}(t_{i-1}, y_{el}^{i-1}, y_{vi}^{i-1}) - \int_{t_{i-1}}^{t_i} \langle \dot{\ell}, y^{i-1} \rangle. \end{aligned}$$

Summing up over $i = 1, \dots, n \leq N$ we get

$$\mathcal{E}(t_n, y_{el}^n, y_{vi}^n) + \sum_{i=1}^n \tau \Psi \left(y_{vi}^{i-1}, \frac{y_{vi}^i - y_{vi}^{i-1}}{\tau} \right) \leq \mathcal{E}(0, y_{el,0}, y_{vi,0}) - \sum_{i=1}^n \int_{t_{i-1}}^{t_i} \langle \dot{\ell}, y^{i-1} \rangle. \quad (6.1)$$

By using the notation for the interpolants, we have, for all $t \in [0, T]$,

$$\begin{aligned}
& \mathcal{E}(\bar{t}_\tau(t), \bar{y}_{\text{el},\tau}(t), \bar{y}_{\text{vi},\tau}(t)) + \int_0^{\bar{t}_\tau(t)} \Psi \left(\underline{y}_{\text{vi},\tau}, \dot{\underline{y}}_{\text{vi},\tau} \right) \leq \mathcal{E}(0, y_{\text{el},0}, y_{\text{vi},0}) - \int_0^{\bar{t}_\tau(t)} \langle \dot{\ell}, \underline{y}_\tau \rangle \\
& \leq \mathcal{E}(0, y_{\text{el},0}, y_{\text{vi},0}) + \int_0^{\bar{t}_\tau(t)} \|\dot{\ell}\|_{(W^{1,q}(\Omega))^*} \|\underline{y}_\tau\|_{W^{1,q}(\Omega)} \\
& \stackrel{\text{Poincaré}}{\leq} \mathcal{E}(0, y_{\text{el},0}, y_{\text{vi},0}) + c \int_0^{\bar{t}_\tau(t)} \|\dot{\ell}\|_{(W^{1,q}(\Omega))^*} \|\nabla \underline{y}_\tau\|_{L^q(\Omega)} \\
& \leq \mathcal{E}(0, y_{\text{el},0}, y_{\text{vi},0}) + c \int_0^{\bar{t}_\tau} \|\nabla \underline{y}_{\text{el},\tau}\|_{L^{p_{\text{el}}}(\underline{y}_{\text{vi},\tau}(t,\Omega))} \|\nabla \underline{y}_{\text{vi},\tau}\|_{L^{p_{\text{vi}}}(\Omega)}.
\end{aligned}$$

On the other hand, by the growth assumptions (4.1), (4.2), and (4.5), we also have

$$\begin{aligned}
& \mathcal{E}(\bar{t}_\tau(t), \bar{y}_{\text{el},\tau}(t), \bar{y}_{\text{vi},\tau}(t)) + \int_0^{\bar{t}_\tau(t)} \Psi \left(\underline{y}_{\text{vi},\tau}, \dot{\underline{y}}_{\text{vi},\tau} \right) \geq c \|\nabla \bar{y}_{\text{vi},\tau}(t)\|_{L^{p_{\text{vi}}}(\Omega)}^{p_{\text{vi}}} \\
& \quad + c \|\nabla \bar{y}_{\text{el},\tau}(t)\|_{L^{p_{\text{el}}}(\bar{y}_{\text{vi},\tau}(t,\Omega))}^{p_{\text{el}}} + c \int_0^{\bar{t}_\tau(t)} \|\nabla \dot{\underline{y}}_{\text{vi},\tau} (\nabla \underline{y}_{\text{vi},\tau})^{-1}\|_{L^{p_\psi}(\Omega)}^{p_\psi} - c. \tag{6.2}
\end{aligned}$$

In particular, combining the two inequalities above we get

$$\begin{aligned}
& c \|\nabla \bar{y}_{\text{vi},\tau}(t)\|_{L^{p_{\text{vi}}}(\Omega)}^{p_{\text{vi}}} + c \|\nabla \bar{y}_{\text{el},\tau}(t)\|_{L^{p_{\text{el}}}(\bar{y}_{\text{vi},\tau}(t,\Omega))}^{p_{\text{el}}} + \int_0^{\bar{t}_\tau(t)} \|\nabla \dot{\underline{y}}_{\text{vi},\tau} (\nabla \underline{y}_{\text{vi},\tau})^{-1}\|_{L^{p_\psi}(\Omega)}^{p_\psi} \\
& \leq \mathcal{E}(0, y_{\text{el},0}, y_{\text{vi},0}) + c \int_0^{\bar{t}_\tau(t)} \|\nabla \underline{y}_{\text{el},\tau}\|_{L^{p_{\text{el}}}(\underline{y}_{\text{vi},\tau}(t,\Omega))} \|\nabla \underline{y}_{\text{vi},\tau}\|_{L^{p_{\text{vi}}}(\Omega)} + c \\
& \leq c + c \int_0^{\bar{t}_\tau(t)} \left(\|\nabla \underline{y}_{\text{el},\tau}\|_{L^{p_{\text{el}}}(\underline{y}_{\text{vi},\tau}(t,\Omega))}^{p_{\text{el}}} + \|\nabla \underline{y}_{\text{vi},\tau}\|_{L^{p_{\text{vi}}}(\Omega)}^{p_{\text{vi}}} \right).
\end{aligned}$$

We can apply the Discrete Gronwall Lemma [18, (C.2.6), p. 534] to find

$$\|\nabla \bar{y}_{\text{vi},\tau}(t)\|_{L^{p_{\text{vi}}}(\Omega)} + \|\nabla \bar{y}_{\text{el},\tau}(t)\|_{L^{p_{\text{el}}}(\bar{y}_{\text{vi},\tau}(t,\Omega))} \leq c.$$

Thus, for every $t \in [0, T]$ we have

$$\|\bar{y}_{\text{vi},\tau}(t)\|_{W^{1,p_{\text{vi}}}(\Omega)} \leq c \quad \text{and} \quad \|\nabla \bar{y}_{\text{el},\tau}(t)\|_{L^{p_{\text{el}}}(\bar{y}_{\text{vi},\tau}(t,\Omega))} \leq c.$$

Then, using Poincaré inequality on the total deformation, we find $\|\bar{y}_\tau(t)\|_{W^{1,q}(\Omega)} \leq c$ and hence, as before, for every $t \in [0, T]$

$$\|\bar{y}_{\text{el},\tau}(t)\|_{W^{1,p_{\text{el}}}(\bar{y}_{\text{vi},\tau}(t,\Omega))} \leq c.$$

Moreover, thanks to (6.2), we also have for every $t \in [0, T]$

$$\int_0^{\bar{t}_\tau(t)} \|\nabla \dot{\underline{y}}_{\text{vi},\tau} (\nabla \underline{y}_{\text{vi},\tau})^{-1}\|_{L^{p_\psi}(\Omega)}^{p_\psi} \leq c. \tag{6.3}$$

By recalling that $1/p_r = 1/p_\psi + 1/p_{\text{vi}}$ this implies that

$$\int_0^T \|\nabla \dot{\underline{y}}_{\text{vi},\tau}\|_{L^{p_r}(\Omega)} \leq \int_0^T \|\nabla \dot{\underline{y}}_{\text{vi},\tau} (\nabla \underline{y}_{\text{vi},\tau})^{-1}\|_{L^{p_\psi}(\Omega)} \|\nabla \underline{y}_{\text{vi},\tau}\|_{L^{p_{\text{vi}}}(\Omega)} \leq c.$$

6.2. Energy inequality, sharp version. In the previous section, we have found the energy estimate (6.1), which features the dissipation with a prefactor 1. In order to prove the sharp version of the energy inequality (4.10) with the prefactor p_ψ , we need a finer argument, mutated from [2].

First, we introduce some notation. Let

$$\mathcal{V} = \left\{ y_{vi} \in W^{1,p_{vi}}(\Omega; \mathbb{R}^d) \mid \det \nabla y_{vi} = 1 \text{ a.e. in } \Omega \right\}$$

and, for all $i = 1, \dots, N$, define the functionals $\Phi^i : [0, T] \times \mathcal{V} \times \mathcal{A} \rightarrow \mathbb{R}$ as

$$\Phi^i(\tau; y_{old}, y_{el}, y_{vi}) := \mathcal{E}(t_i, y_{el}, y_{vi}) + \tau \Psi \left(y_{old}, \frac{y_{vi} - y_{old}}{\tau} \right).$$

Recall that, by definition (4.4) of Ψ and by the p_ψ -homogeneity (4.6), we have

$$\tau \Psi \left(y_{old}, \frac{y_{vi} - y_{old}}{\tau} \right) = \frac{1}{\tau^{p_\psi - 1}} \int_{\Omega} \psi \left((\nabla y_{old})^{-1} (\nabla y_{vi} - \nabla y_{old}) \right). \quad (6.4)$$

For all $(t, y_{old}) \in [0, T] \times \mathcal{V}$ we also define the minimal value of the latter functional as

$$\phi_\tau^i(y_{old}) := \inf_{(y_{el}, y_{vi}) \in \mathcal{A}} \Phi^i(\tau; y_{old}, y_{el}, y_{vi})$$

and denote the set of minimizers by $J_\tau^i(y_{old}) := \arg \min \{ \Phi^i(\tau; y_{old}, y_{el}, y_{vi}) \mid (y_{el}, y_{vi}) \in \mathcal{A} \}$, which is nonempty by Proposition 4.1. Finally, introduce

$$\begin{aligned} \Psi_\tau^{+,i}(y_{old}) &:= \sup_{(y_{el}, \tau, y_{vi}, \tau) \in J_\tau^i(y_{old})} \int_{\Omega} \psi \left((\nabla y_{old})^{-1} \frac{(\nabla y_{vi, \tau} - \nabla y_{old})}{\tau} \right), \\ \Psi_\tau^{-,i}(y_{old}) &:= \inf_{(y_{el}, \tau, y_{vi}, \tau) \in J_\tau^i(y_{old})} \int_{\Omega} \psi \left((\nabla y_{old})^{-1} \frac{(\nabla y_{vi, \tau} - \nabla y_{old})}{\tau} \right). \end{aligned}$$

We start by stating an auxiliary result, providing the continuity property of the map $\tau \mapsto \phi_\tau^i(y_{old})$ in 0 and the monotonicity of $\tau \mapsto \Psi(y_{old}, y_{vi, \tau} - y_{old})$.

Lemma 6.1. *For every $i = 1, \dots, N$ and every $y_{old} \in \mathcal{V}$, we have*

$$\lim_{\tau \searrow 0} \phi_\tau^i(y_{old}) = \mathcal{E}(t_i, y_{el}, y_{old}) \quad (6.5)$$

where $y_{el} \in \arg \min \{ \mathcal{E}(t_i, \tilde{y}_{el}, y_{old}) \mid \tilde{y}_{el} \in W^{1,p_{el}}(y_{old}(\Omega); \mathbb{R}^d) \}$.

Moreover, if $0 < \tau_0 < \tau_1$, then

$$\Psi(y_{old}, y_{vi, \tau_0} - y_{old}) \leq \Psi(y_{old}, y_{vi, \tau_1} - y_{old}) \quad \text{for every } (y_{el, \tau_j}, y_{vi, \tau_j}) \in J_{\tau_j}^i(y_{old}), \quad j = 0, 1. \quad (6.6)$$

Proof. We start by proving the continuity property of $\tau \mapsto \phi_\tau^i(y_{old})$. Let $(y_{el, \tau}, y_{vi, \tau}) \in J_\tau^i(y_{old})$. By the growth condition (4.5), the p_ψ -homogeneity (4.6), and coercivity, we have

$$\|(\nabla y_{old})^{-1} (\nabla y_{vi, \tau} - \nabla y_{old})\|_{L^{p_{vi}}(\Omega)} \leq c \Psi(y_{old}, y_{vi, \tau} - y_{old}) = c \tau^{p_\psi} \Psi \left(y_{old}, \frac{y_{vi, \tau} - y_{old}}{\tau} \right) \leq c \tau^{p_\psi - 1}.$$

This proves that $\nabla y_{vi, \tau} \rightarrow \nabla y_{old}$ in $L^{p_{vi}}(\Omega; \mathbb{R}^{d \times d})$ as $\tau \rightarrow 0$. Moreover, by (5.1), we have $y_{el, \tau} \rightharpoonup y_{el}$ weakly in $W^{1,p_{el}}(\Omega; \mathbb{R}^d)$. Thus, by weak lower semicontinuity, we have

$$\lim_{\tau \searrow 0} \phi_\tau^i(y_{old}) = \lim_{\tau \searrow 0} \Phi^i(\tau; y_{old}, y_{el, \tau}, y_{vi, \tau}) \geq \liminf_{\tau \searrow 0} \mathcal{E}(t_i, y_{el, \tau}, y_{vi, \tau}) \geq \mathcal{E}(t_i, y_{el}, y_{old}).$$

On the other hand, from minimality we get $\mathcal{E}(t_i, y_{\text{el}}, y_{\text{old}}) \geq \phi_\tau^i(y_{\text{old}})$. This implies that

$$\lim_{\tau \searrow 0} \phi_\tau^i(y_{\text{old}}) = \mathcal{E}(t_i, y_{\text{el}}, y_{\text{old}}).$$

The fact that $y_{\text{el}} \in \arg \min\{\mathcal{E}(t_i, \tilde{y}_{\text{el}}, y_{\text{old}}) \mid \tilde{y}_{\text{el}} \in W^{1,p_{\text{el}}}(y_{\text{old}}(\Omega); \mathbb{R}^d)\}$ follows from minimality since

$$\mathcal{E}(t_i, y_{\text{el}}, y_{\text{old}}) = \lim_{\tau \searrow 0} \phi_\tau^i(y_{\text{old}}) \leq \lim_{\tau \searrow 0} \Phi^i(\tau; y_{\text{old}}, \tilde{y}_{\text{el}}, y_{\text{old}}) = \mathcal{E}(t_i, \tilde{y}_{\text{el}}, y_{\text{old}})$$

for every $\tilde{y}_{\text{el}} \in W^{1,p_{\text{el}}}(y_{\text{old}}(\Omega); \mathbb{R}^d)$.

Let us now prove the monotonicity of $\tau \mapsto \Psi(y_{\text{old}}, y_{\text{vi},\tau} - y_{\text{old}})$. Let $0 < \tau_0 < \tau_1$ and $y_{\text{el},\tau_j}, y_{\text{vi},\tau_j} \in J_{\tau_j}^i(y_{\text{old}})$, $j = 0, 1$. From minimality, we have that

$$\begin{aligned} \phi_{\tau_0}^i &= \mathcal{E}(t_i, y_{\text{el},\tau_0}, y_{\text{vi},\tau_0}) + \frac{1}{\tau_0^{p_\psi-1}} \Psi(y_{\text{old}}, y_{\text{el},\tau_0} - y_{\text{old}}) \\ &\leq \mathcal{E}(t_i, y_{\text{el},\tau_1}, y_{\text{vi},\tau_1}) + \frac{1}{\tau_0^{p_\psi-1}} \Psi(y_{\text{old}}, y_{\text{el},\tau_1} - y_{\text{old}}) \\ &= \mathcal{E}(t_i, y_{\text{el},\tau_1}, y_{\text{vi},\tau_1}) + \frac{1}{\tau_1^{p_\psi-1}} \Psi(y_{\text{old}}, y_{\text{el},\tau_1} - y_{\text{old}}) + \left(\frac{1}{\tau_0^{p_\psi-1}} - \frac{1}{\tau_1^{p_\psi-1}} \right) \Psi(y_{\text{old}}, y_{\text{el},\tau_1} - y_{\text{old}}) \\ &\leq \mathcal{E}(t_i, y_{\text{el},\tau_0}, y_{\text{vi},\tau_0}) + \frac{1}{\tau_1^{p_\psi-1}} \Psi(y_{\text{old}}, y_{\text{el},\tau_0} - y_{\text{old}}) + \left(\frac{1}{\tau_0^{p_\psi-1}} - \frac{1}{\tau_1^{p_\psi-1}} \right) \Psi(y_{\text{old}}, y_{\text{el},\tau_1} - y_{\text{old}}). \end{aligned}$$

This implies that

$$\left(\frac{1}{\tau_0^{p_\psi-1}} - \frac{1}{\tau_1^{p_\psi-1}} \right) \Psi(y_{\text{old}}, y_{\text{el},\tau_1} - y_{\text{old}}) \leq \left(\frac{1}{\tau_0^{p_\psi-1}} - \frac{1}{\tau_1^{p_\psi-1}} \right) \Psi(y_{\text{old}}, y_{\text{el},\tau_1} - y_{\text{old}}),$$

which concludes the proof. \square

In the following Lemma, we calculate the derivative with respect to τ of the minimal incremental energy ϕ_τ^i and provide a crucial estimate.

Lemma 6.2. *For every $y_{\text{old}} \in \mathcal{V}$ and $i = 1, \dots, N$, the map $\tau \mapsto \phi_\tau^i(y_{\text{old}})$ is locally Lipschitz on $(0, 1)$. Moreover, we have*

$$\frac{d}{d\tau} \phi_\tau^i(y_{\text{old}}) = -(p_\psi - 1) \Psi_\tau^{\pm, i}(y_{\text{old}}) \quad (6.7)$$

for almost every $\tau \in (0, 1)$. In particular, for almost every $\tau \in (0, 1)$ we have

$$\tau \Psi \left(y_{\text{old}}, \frac{y_{\text{vi},\tau} - y_{\text{old}}}{\tau} \right) + (p_\psi - 1) \int_0^\tau \Psi_r^{\pm, i}(y_{\text{old}}) dr = \mathcal{E}(t_i, y_{\text{el}}, y_{\text{old}}) - \mathcal{E}(t_i, y_{\text{el},\tau}, y_{\text{vi},\tau}) \quad (6.8)$$

for every $(y_{\text{el},\tau}, y_{\text{vi},\tau}) \in J_\tau^i(y_{\text{old}})$, for some $y_{\text{el}} = \arg \min\{\mathcal{E}(t_i, \tilde{y}_{\text{el}}, y_{\text{old}}) \mid \tilde{y}_{\text{el}} \in W^{1,p_{\text{el}}}(y_{\text{old}}(\Omega); \mathbb{R}^d)\}$.

Proof. For every $\tau_0 \neq \tau_1$ and $(y_{\text{el},\tau_j}, y_{\text{vi},\tau_j}) \in J_{\tau_j}^i(y_{\text{old}})$, $j = 0, 1$, by minimality we have

$$\begin{aligned} \phi_{\tau_0}(y_{\text{old}}) - \phi_{\tau_1}(y_{\text{old}}) &\leq \Phi^i(\tau_0; y_{\text{old}}, y_{\text{el},\tau_1}, y_{\text{vi},\tau_1}) - \Phi^i(\tau_1; y_{\text{old}}, y_{\text{el},\tau_1}, y_{\text{vi},\tau_1}) \\ &= \frac{1}{\tau_0^{p_\psi-1}} \Psi(y_{\text{old}}, y_{\text{vi},\tau_1} - y_{\text{old}}) - \frac{1}{\tau_1^{p_\psi-1}} \Psi(y_{\text{old}}, y_{\text{vi},\tau_1} - y_{\text{old}}) \end{aligned}$$

$$= \frac{\tau_1^{p_\psi-1} - \tau_0^{p_\psi-1}}{(\tau_1 \tau_0)^{p_\psi-1}} \int_{\Omega} \psi \left((\nabla y_{\text{old}})^{-1} (\nabla y_{v_i, \tau_1} - \nabla y_{\text{old}}) \right),$$

where we used (6.4). We can perform an analogous calculation for

$$\phi_{\tau_0}(y_{\text{old}}) - \phi_{\tau_1}(y_{\text{old}}) \geq \Phi^i(\tau_0; y_{\text{old}}, y_{\text{el}, \tau_0}, y_{v_i, \tau_0}) - \Phi^i(\tau_1; y_{\text{old}}, y_{\text{el}, \tau_0}, y_{v_i, \tau_0})$$

so that, by combining the two above inequalities, for $\tau_0 < \tau_1$ we find

$$\begin{aligned} \frac{\tau_1^{p_\psi-1} - \tau_0^{p_\psi-1}}{(\tau_1 \tau_0)^{p_\psi-1} (\tau_1 - \tau_0)} \int_{\Omega} \psi \left((\nabla y_{\text{old}})^{-1} (\nabla y_{v_i, \tau_0} - \nabla y_{\text{old}}) \right) &\leq \frac{\phi_{\tau_0}(y_{\text{old}}) - \phi_{\tau_1}(y_{\text{old}})}{\tau_1 - \tau_0} \\ &\leq \frac{\tau_1^{p_\psi-1} - \tau_0^{p_\psi-1}}{(\tau_1 \tau_0)^{p_\psi-1} (\tau_1 - \tau_0)} \int_{\Omega} \psi \left((\nabla y_{\text{old}})^{-1} (\nabla y_{v_i, \tau_1} - \nabla y_{\text{old}}) \right). \end{aligned}$$

Taking the supremum over $(y_{\text{el}, \tau_0}, y_{v_i, \tau_0}) \in J_{\tau_0}^i(y_{\text{old}})$ in the left-hand side and the infimum over $(y_{\text{el}, \tau_1}, y_{v_i, \tau_1}) \in J_{\tau_1}^i(y_{\text{old}})$ in the right hand side, we find

$$\frac{\tau_0(\tau_1^{p_\psi-1} - \tau_0^{p_\psi-1})}{\tau_1^{p_\psi-1}(\tau_1 - \tau_0)} \Psi_{\tau_0}^{+,i}(y_{\text{old}}) \leq \frac{\phi_{\tau_0}(y_{\text{old}}) - \phi_{\tau_1}(y_{\text{old}})}{\tau_1 - \tau_0} \leq \frac{\tau_1(\tau_1^{p_\psi-1} - \tau_0^{p_\psi-1})}{\tau_0^{p_\psi-1}(\tau_1 - \tau_0)} \Psi_{\tau_1}^{-,i}(y_{\text{old}}),$$

which implies that $\tau \mapsto \phi_{\tau}^i(y_{\text{old}})$ is locally Lipschitz. Then, passing to the limit for $\tau_1 \searrow \tau$ and $\tau_0 \nearrow \tau$, we get (6.7).

Integrating (6.7) from $\tau_0 > 0$ to τ , we have

$$\phi_{\tau}^i(y_{\text{old}}) - \phi_{\tau_0}^i(y_{\text{old}}) = -(p_\psi - 1) \int_{\tau_0}^{\tau} \Psi_r^{\pm, i}(y_{\text{old}}) dr.$$

Letting $\tau_0 \searrow 0$, recalling (6.5), and the definition of $(y_{\text{el}, \tau}, y_{v_i, \tau}) \in J_{\tau}^i(y_{\text{old}})$, we get (6.8). \square

We now state the definition of *De Giorgi variational interpolation* [2, Definition 3.2.1], which in our setting refers to the viscous deformation y_{v_i} only.

Definition 6.1 (De Giorgi variational interpolation). *Let $(y_{\text{el}, \tau}^i, y_{v_i, \tau}^i)_{i=0}^N$ be an incremental solution of the problem of (4.9). We call De Giorgi variational interpolation of $(y_{v_i, \tau}^i)_{i=0}^N$ any interpolation $\tilde{y}_{v_i, \tau}$ of the discrete values with $(\tilde{y}_{\text{el}, \tau}, \tilde{y}_{v_i, \tau}) : [0, T] \rightarrow \mathcal{A}$ that satisfies*

$$\tilde{y}_{v_i, \tau}(t) = \tilde{y}_{v_i, \tau}(t_{i-1} + r) \in J_r(\tilde{y}_{v_i, \tau}^{i-1}) \quad \text{if } t_{i-1} + r \in (t_{i-1}, t_i]$$

for every $i = 1, \dots, N$.

The following Proposition provides the sharp energy estimate on the discrete level, providing an equality instead of an inequality.

Proposition 6.1 (Discrete energy equality). *Let $(y_{\text{el}, \tau}^i, y_{v_i, \tau}^i)_{i=0}^N$ be an incremental solution of the problem of (4.9). Then, for every $1 \leq n \leq N$ we have*

$$\begin{aligned} \tau \sum_{i=1}^n \psi \left((\nabla y_{v_i, \tau}^{i-1})^{-1} (\nabla y_{v_i, \tau}^i - \nabla y_{v_i, \tau}^{i-1}) \right) + (p_\psi - 1) \sum_{i=1}^n \int_{t_{i-1}}^{t_i} G_{\tau}^{p_\psi}(r) dr + \mathcal{E}(t_i, y_{\text{el}, \tau}^n, y_{v_i, \tau}^n) \\ = \mathcal{E}(0, y_{\text{el}, 0}, y_{v_i, 0}) - \sum_{i=1}^n \int_{t_{i-1}}^{t_i} \langle \dot{\ell}, y_{\text{el}, \tau}^{i-1} \circ y_{v_i, \tau}^{i-1} \rangle \end{aligned} \tag{6.9}$$

where

$$G_\tau(t) := (\Psi_r^{\pm,i}(y_{\text{vi},\tau}^{i-1}))^{1/p_\psi} \quad \text{for } t = t_{i-1} + r \in (t_{i-1}, t_i].$$

Proof. By (6.8) for $y_{\text{old}} = y_{\text{vi},\tau}^{i-1}$, $y_{\text{vi},\tau} = y_{\text{vi},\tau}^i$, and $y_{\text{el},\tau} = y_{\text{el},\tau}^i$, we find

$$\begin{aligned} \tau \Psi \left(y_{\text{vi},\tau}^{i-1}, \frac{y_{\text{vi},\tau}^i - y_{\text{vi},\tau}^{i-1}}{\tau} \right) + (p_\psi - 1) \int_0^\tau |G_\tau(r)|^{p_\psi} dr + \mathcal{E}(t_i, y_{\text{el},\tau}^i, y_{\text{vi},\tau}^i) &= \mathcal{E}(t_i, y_{\text{el},\tau}^{i-1}, y_{\text{vi},\tau}^{i-1}) \\ &= \mathcal{E}(t_{i-1}, y_{\text{el},\tau}^{i-1}, y_{\text{vi},\tau}^{i-1}) - \int_{t_{i-1}}^{t_i} \langle \dot{\ell}, y_{\text{el},\tau}^{i-1} \circ y_{\text{el},\tau}^{i-1} \rangle, \end{aligned}$$

where we used the definition of G_τ and of De Giorgi variational interpolation. Then, summing from $i = 1$ to $i = n$ we get (6.9). \square

Before passing to the limit for $\tau \rightarrow 0$ in the energy equality (6.9), we need to characterize the limit of the De Giorgi variational interpolation. In the following Lemma we show that such limit coincides with that of the backward interpolants.

Lemma 6.3. *If $\bar{y}_{\text{vi},\tau}(t) \rightharpoonup y_{\text{vi}}(t)$ in $W^{1,p_{\text{vi}}}(\Omega; \mathbb{R}^d)$, then $\tilde{y}_{\text{vi},\tau}(t) \rightharpoonup y_{\text{vi}}(t)$ in $W^{1,p_{\text{vi}}}(\Omega; \mathbb{R}^d)$.*

Proof. First, let us show that, for $\tau > 0$ and $t \in (t_{i-1}^\tau, t_i^\tau]$ fixed, $\|\tilde{y}_{\text{vi},\tau}(t) - \bar{y}_{\text{vi},\tau}(t)\|_{L^1(\Omega)} \leq c\tau^{p_\psi-1}$. We have, by definition of $\nabla \bar{y}_{\text{vi},\tau}$ and Hölder inequality,

$$\begin{aligned} \|\nabla \tilde{y}_{\text{vi},\tau}(t) - \nabla \bar{y}_{\text{vi},\tau}(t)\|_{L^1(\Omega)} &\leq \|\nabla y_{\text{vi},\tau}^{i-1} (\nabla y_{\text{vi},\tau}^{i-1})^{-1} (\nabla \tilde{y}_{\text{vi},\tau}(t) - \nabla y_{\text{vi},\tau}^i)\|_{L^1(\Omega)} \\ &\leq \|\nabla y_{\text{vi},\tau}^{i-1}\|_{L^{p'_\psi}(\Omega)}^{p'_\psi} \|(\nabla y_{\text{vi},\tau}^{i-1})^{-1} (\nabla \tilde{y}_{\text{vi},\tau}(t) - \nabla y_{\text{vi},\tau}^i)\|_{L^{p_\psi}(\Omega)}. \end{aligned}$$

Since $p_\psi \geq 2$ by (4.7) we have that $p'_\psi \leq p_\psi$. Hence, by the boundedness of $\nabla y_{\text{vi},\tau}^{i-1}$ in $L^{p_\psi}(\Omega; \mathbb{R}^{d \times d})$ and the fact that Ω is bounded, we have that $\|\nabla y_{\text{vi},\tau}^{i-1}\|_{L^{p'_\psi}(\Omega)}^{p'_\psi} \leq c$ uniformly in i and τ . Thus, by growth condition (4.5), we have

$$\begin{aligned} \|\nabla \tilde{y}_{\text{vi},\tau}(t) - \nabla \bar{y}_{\text{vi},\tau}(t)\|_{L^1(\Omega)} &\leq c \|(\nabla y_{\text{vi},\tau}^{i-1})^{-1} (\nabla y_{\text{vi},\tau}^i - \nabla y_{\text{vi},\tau}^{i-1})\|_{L^{p_\psi}(\Omega)}^{p_\psi} \\ &\quad + c \|(\nabla y_{\text{vi},\tau}^{i-1})^{-1} (\nabla \tilde{y}_{\text{vi},\tau}(t) - \nabla y_{\text{vi},\tau}^{i-1})\|_{L^{p_\psi}(\Omega)}^{p_\psi} \\ &\leq c \Psi(y_{\text{vi},\tau}^{i-1}, y_{\text{vi},\tau}^i - y_{\text{vi},\tau}^{i-1}) + c \Psi(y_{\text{vi},\tau}^{i-1}, \tilde{y}_{\text{vi},\tau} - y_{\text{vi},\tau}^{i-1}) \\ &\leq c \Psi(y_{\text{vi},\tau}^{i-1}, y_{\text{vi},\tau}^i - y_{\text{vi},\tau}^{i-1}), \end{aligned}$$

where in the last inequality we used the definition of $\tilde{y}_{\text{vi},\tau}$ and the monotonicity property (6.6). Using the p_ψ -homogeneity (4.6) and the boundedness of the dissipation, we get

$$\|\nabla \tilde{y}_{\text{vi},\tau}(t) - \nabla \bar{y}_{\text{vi},\tau}(t)\|_{L^1(\Omega)} \leq c\tau^{p_\psi} \Psi \left(y_{\text{vi},\tau}^{i-1}, \frac{y_{\text{vi},\tau}^i - y_{\text{vi},\tau}^{i-1}}{\tau} \right) \leq c\tau^{p_\psi-1}.$$

Then $\|\tilde{y}_{\text{vi},\tau}(t) - \bar{y}_{\text{vi},\tau}(t)\|_{L^1(\Omega)} \leq c\tau^{p_\psi-1}$ follows since $\tilde{y}_{\text{vi},\tau}(t)$ and $\bar{y}_{\text{vi},\tau}(t)$ have zero mean.

The assertion follows as Ω is bounded, by assumption $\bar{y}_{\text{vi},\tau}(t) \rightharpoonup y_{\text{vi}}(t)$ in $W^{1,p_{\text{vi}}}(\Omega; \mathbb{R}^d)$, and $\bar{y}_{\text{vi},\tau}(t)$ is bounded in $W^{1,p_{\text{vi}}}(\Omega; \mathbb{R}^d)$ by coercivity, as shown in Section 6.1 for $\bar{y}_{\text{vi},\tau}(t)$. \square

6.3. Proof of the energy inequality. In the following, we extract further subsequences without relabeling whenever necessary.

Assume to be given a sequence of partitions $(\Pi_\tau)_\tau$ with $\tau \rightarrow 0$ and denote by $(y_{\text{el}}^i, y_{\text{vi}}^i)_{i=0}^N$ the corresponding incremental solutions. The estimates in Section 6.1 and Lemma 6.3 ensure that for every $t \in [0, T]$

$$\begin{aligned}\bar{y}_{\text{vi},\tau}(t) &\rightharpoonup y_{\text{vi}}(t) && \text{in } W^{1,p_{\text{vi}}}(\Omega; \mathbb{R}^d), \\ \tilde{y}_{\text{vi},\tau}(t) &\rightharpoonup y_{\text{vi}}(t) && \text{in } W^{1,p_{\text{vi}}}(\Omega; \mathbb{R}^d), \\ \bar{y}_\tau(t) &\rightharpoonup y(t) && \text{in } W^{1,q}(\Omega; \mathbb{R}^d).\end{aligned}$$

Moreover, by Sobolev embedding we have that $\hat{y}_{\text{vi},\tau} \rightharpoonup y_{\text{vi}}$ weakly in $C([0, T]; W^{1,p_r}(\Omega; \mathbb{R}^d))$.

As regards the elastic deformation, given $t \in [0, T]$ by extracting a subsequence $(\tau_k^t)_{k \in \mathbb{N}}$ possibly depending on t we get

$$\bar{y}_{\text{el},\tau_k^t}(t) \rightharpoonup y_{\text{el}}(t) \quad \text{in } W^{1,p_{\text{el}}}(y_{\text{vi}}(t, \Omega); \mathbb{R}^d).$$

Note that here we have to implement an exhaustion argument for dealing with the moving domains $\bar{y}_{\text{vi}}(t, \Omega)$, exactly as in Section 5. Moreover, the total deformation y can be proved to fulfill $y = y_{\text{el}} \circ y_{\text{vi}}$ by arguing as in Section 5.2.

We aim at passing to the limit in the energy equality (6.9), which can be rewritten, thanks to the definition of $G_\tau(t)$ and of $\Psi_r^{+,i}$, in the weaker form

$$\begin{aligned}\mathcal{E}(\bar{t}_\tau(t), \bar{y}_{\text{el},\tau}(t), \bar{y}_{\text{vi},\tau}(t)) + \int_0^{\bar{t}_\tau(t)} \Psi \left(\underline{y}_{\text{vi},\tau}, \dot{\underline{y}}_{\text{vi},\tau} \right) + (p_\psi - 1) \int_0^{\bar{t}_\tau(t)} \Psi \left(\underline{y}_{\text{vi},\tau}, \frac{\tilde{y}_{\text{vi},\tau} - \underline{y}_{\text{vi},\tau}}{\tau} \right) \\ \leq \mathcal{E}(0, y_{\text{el},0}, y_{\text{vi},0}) - \int_0^{\bar{t}_\tau(t)} \langle \dot{\ell}, \underline{y}_\tau \rangle.\end{aligned}\quad (6.10)$$

Passing to the \liminf in the left-hand side of inequality (6.10), we find by lower semicontinuity

$$\mathcal{E}(t, y_{\text{el}}(t), y_{\text{vi}}(t)) \leq \liminf_{\tau \rightarrow 0} \mathcal{E}(\bar{t}_\tau(t), \bar{y}_{\text{el},\tau}(t), \bar{y}_{\text{vi},\tau}(t)).$$

Let us now study the first dissipation term in (6.10). The calculations for the second one are analogous by Lemma 6.3. Recalling that by definition $\bar{t}_\tau(t) \geq t$ and that $\psi \geq 0$, we have that

$$\liminf_{\tau \rightarrow 0} \int_0^{\bar{t}_\tau(t)} \Psi \left(\underline{y}_{\text{vi},\tau}, \dot{\underline{y}}_{\text{vi},\tau} \right) \geq \liminf_{\tau \rightarrow 0} \int_0^t \Psi \left(\underline{y}_{\text{vi},\tau}, \dot{\underline{y}}_{\text{vi},\tau} \right).$$

Moreover, up to a subsequence, $\nabla \dot{\underline{y}}_{\text{vi},\tau} (\nabla \underline{y}_{\text{vi},\tau})^{-1} \rightharpoonup l$ weakly in $L^{p_\psi}(\Omega; \mathbb{R}^{d \times d})$ by (6.3). It hence remains to identify the limit l . To this end, let us define

$$(t, \xi) \in [0, T] \times \underline{y}_{\text{vi},\tau}(t, \Omega) \mapsto v_\tau(t, \xi) := \dot{\underline{y}}_{\text{vi},\tau}(t, \underline{y}_{\text{vi},\tau}^{-1}(\xi)) \in \mathbb{R}^d.$$

By a pointwise-in-time change of variables we have

$$\int_0^T \int_{\underline{y}_{\text{vi},\tau}(t, \Omega)} |v_\tau(t, \xi)|^{p_\psi} d\xi dt = \int_0^T \int_\Omega |\dot{\underline{y}}_{\text{vi},\tau}(t, X)|^{p_\psi} dX dt \leq c.$$

In order to obtain a bound on the gradient ∇v_τ , let us consider

$$\begin{aligned} \int_0^T \int_{\underline{y}_{vi,\tau}(t,\Omega)} |\nabla v_\tau(t,\xi)|^{p_\psi} d\xi dt &= \int_0^T \int_\Omega \left| \nabla \dot{y}_{vi,\tau} (\nabla \underline{y}_{vi,\tau})^{-1}(t,X) \right|^{p_\psi} dX dt \\ &\stackrel{(4.5)}{\leq} \int_0^T \Psi \left(\underline{y}_{vi,\tau}, \dot{y}_{vi,\tau} \right) \leq c. \end{aligned}$$

For given $t_0 \in (0, T)$, let us show that $\cap_{t \in [t_0, t_0 + \delta]} y_{vi}(t, \Omega)$ is not empty for small $\delta > 0$. Notice that, by Sobolev embedding, $\underline{y}_{vi,\tau} \rightarrow y_{vi}$ in $C([0, T] \times \bar{\Omega})$. Hence, for every $\epsilon > 0$, there exists $\bar{\tau} = \bar{\tau}(\epsilon)$ such that, for every $\tau \leq \bar{\tau}$, we have

$$\sup_{X \in \bar{\Omega}} \left| \underline{y}_{vi,\tau}(t, X) - y_{vi}(t, X) \right| \leq \frac{\epsilon}{2}.$$

Moreover, since y_{vi} is absolutely continuous in time, for $|t - s| < \nu$ and $\nu > 0$ small we also have

$$\sup_{X \in \bar{\Omega}} |y_{vi}(t, X) - y_{vi}(s, X)| \leq \frac{\epsilon}{2}.$$

Combining these two inequalities we get

$$\sup_{X \in \bar{\Omega}} \left| \underline{y}_{vi,\tau}(t, X) - y_{vi}(s, X) \right| \leq \epsilon.$$

for τ and ν small enough. We can hence fix $\omega \subset\subset \cap_{t \in [t_0, t_0 + \nu]} \underline{y}_{vi}(t, \Omega)$ and trivially extend v_τ on $\mathbb{R}^d \setminus \omega$. Then, thanks to the bounds above we have that $v_\tau \rightharpoonup v$ weakly in $L^{p_\psi}([0, T]; W^{1,p_\psi}(\omega))$. We have to show that $v = \dot{y}_{vi} \circ y_{vi}^{-1}$. In fact, we have

$$\begin{aligned} \int_{t_0}^{t_0 + \nu} \int_\omega v(t, \xi) d\xi dt &\leftarrow \int_{t_0}^{t_0 + \nu} \int_\omega v_\tau(t, \xi) d\xi dt = \int_{t_0}^{t_0 + \nu} \int_{\underline{y}_{vi,\tau}^{-1}(t,\omega)} \dot{y}_{vi,\tau}(t, X) dX dt \\ &= \int_{t_0}^{t_0 + \nu} \int_{\mathbb{R}^d} \dot{y}_{vi,\tau}(t, X) \mathbb{1}_{\underline{y}_{vi,\tau}^{-1}(t,\omega)}(t, X) dX dt \rightarrow \int_{t_0}^{t_0 + \nu} \int_{\mathbb{R}^d} \dot{y}_{vi}(t, X) \mathbb{1}_{y_{vi}^{-1}(t,\omega)}(t, X) dX dt \\ &= \int_{t_0}^{t_0 + \nu} \int_\omega \dot{y}_{vi}(t, y_{vi}^{-1}(t, \xi)) d\xi dt, \quad (6.11) \end{aligned}$$

where we have used that $\dot{y}_{vi,\tau} \rightharpoonup y_{vi}$ weakly in $C([0, T]; W^{1,p_{vi}}(\Omega))$, $\mathbb{1}_{\underline{y}_{vi,\tau}^{-1}(\omega)} \rightarrow \mathbb{1}_{y_{vi}^{-1}(\omega)}$ strongly in $L^1(\omega)$, and the fact that $\mathbb{1}_{\underline{y}_{vi,\tau}^{-1}(t,\omega)}$ is bounded. Since in (6.11) t_0 , ν , and ω are arbitrary, we have that $v = \dot{y}_{vi} \circ y_{vi}^{-1}$ and we have hence identified $l = \nabla v$. By weak lower semicontinuity, we thus have that

$$\begin{aligned} \liminf_{\tau \rightarrow 0} \int_0^{\bar{t}_\tau(t)} \Psi \left(\underline{y}_{vi,\tau}, \dot{y}_{vi,\tau} \right) &= \liminf_{\tau \rightarrow 0} \int_0^{\bar{t}_\tau(t)} \int_{\bar{y}_{vi,\tau}(s,\Omega)} \psi(\nabla v_\tau(s, \xi)) d\xi ds \\ &\geq \int_0^t \int_{y_{vi}(s,\Omega)} \psi(\nabla v(s, \xi)) d\xi ds = \int_0^t \Psi(y_{vi,\tau}, \dot{y}_{vi,\tau}). \end{aligned}$$

Thanks to the boundedness and to the weak lower semicontinuity of the energy and of the dissipation we can apply Helly's Selection Principle [28, Thm. B.5.13, p. 611] and find a nondecreasing function $\delta : [0, T] \rightarrow [0, \infty)$ such that

$$\int_0^t \Psi \left(\underline{y}_{vi,\tau}, \dot{y}_{vi,\tau} \right) \rightarrow \delta(t), \quad (6.12a)$$

$$\int_s^t \Psi \left(\underline{y}_{\text{vi},\tau}, \dot{\underline{y}}_{\text{vi},\tau} \right) \leq \delta(t) - \delta(s) \quad (6.12b)$$

for every $s, t \in [0, T]$. Then, fixing $t \in [0, T]$, we have

$$\delta(t) \stackrel{(6.12a)}{=} \lim_{k \rightarrow \infty} \int_0^t \Psi \left(\underline{y}_{\text{vi},\tau}, \dot{\underline{y}}_{\text{vi},\tau} \right) \leq \liminf_{k \rightarrow \infty} \int_0^{t_\tau(t)} \Psi \left(\underline{y}_{\text{vi},\tau}, \dot{\underline{y}}_{\text{vi},\tau} \right).$$

Setting $\theta_\tau(s) := -\langle \dot{\ell}(s), \underline{y}_\tau(s) \rangle$, by the regularity of ℓ and the boundedness of $(\underline{y}_\tau(t))_\tau$ for almost every $t \in [0, T]$ in $W^{1,q}(\Omega; \mathbb{R}^d)$, we have that $(\theta_\tau)_\tau$ is equiintegrable. Hence, we can apply the Dunford-Pettis Theorem (see, e.g., [28, Thm. B.3.8, p. 598]) to find a subsequence such that

$$\theta_\tau \rightharpoonup \theta \quad \text{in } L^1(0, T).$$

Furthermore, thanks to the boundedness of the energy and the dissipation, we are able to find further t -dependent subsequences $(\tau_k^t)_{k \in \mathbb{N}}$ such that

$$\theta_{\tau_k^t} \rightarrow \limsup_{\tau \rightarrow 0} \theta_\tau(t) =: \bar{\theta}(t),$$

and, by regularity of ℓ , that

$$\bar{\theta}(t) := \lim_{k \rightarrow \infty} \theta_{\tau_k^t} = \lim_{k \rightarrow \infty} \langle \dot{\ell}(t), \underline{y}_{\tau_k^t}(t) \rangle = \langle \dot{\ell}(t), y(t) \rangle.$$

In conclusion, passing to the \liminf in the left-hand side and to the limit in the right-hand side of (6.10) we retrieve energy inequality (4.10).

6.4. Proof of the semistability condition. Fix now $t \in [0, T]$ and recall that $\bar{y}_{\text{el},\tau_k^t}(t) \rightharpoonup y_{\text{el}}(t)$ in $W^{1,p_{\text{el}}}(y_{\text{vi}}(t, \Omega); \mathbb{R}^d)$.

By minimality of the incremental solution we have

$$\mathcal{E}(\bar{t}_\tau(t), \bar{y}_{\text{el},\tau}(t), \bar{y}_{\text{vi},\tau}(t)) \leq \mathcal{E}(\bar{t}_\tau(t), \tilde{y}_{\text{el}}, \bar{y}_{\text{vi},\tau}(t))$$

for every \tilde{y}_{el} with $(\tilde{y}_{\text{el}}, \bar{y}_{\text{vi}}(t)) \in \mathcal{A}$. Let $(\tilde{y}_{\text{el}}, y_{\text{vi}}(t)) \in \mathcal{A}$ be given. We want to show that one can choose $\tilde{y}_{\text{el},\tau}$ with $(\tilde{y}_{\text{el},\tau}, \bar{y}_{\text{vi}}(t)) \in \mathcal{A}$ in such a way that

$$\begin{aligned} 0 &\leq \limsup_{\tau \rightarrow 0} \left(\mathcal{E}(\bar{t}_\tau(t), \tilde{y}_{\text{el},\tau}, \bar{y}_{\text{vi},\tau}(t)) - \mathcal{E}(\bar{t}_\tau(t), \bar{y}_{\text{el},\tau}(t), \bar{y}_{\text{vi},\tau}(t)) \right) \\ &\leq \mathcal{E}(t, \tilde{y}_{\text{el}}, y_{\text{vi}}(t)) - \mathcal{E}(t, y_{\text{el}}(t), y_{\text{vi}}(t)), \end{aligned} \quad (6.13)$$

which would then imply (4.11).

Since $(\tilde{y}_{\text{el}}, y_{\text{vi}}(t)) \in \mathcal{A}$, we have that $y_{\text{vi}}(\Omega) \in \mathcal{J}_{\eta_1, \eta_2}$ and $y_{\text{vi}}(\Omega)$ is a Sobolev extension domain. Hence, there exists a linear and bounded extension operator $E : W^{1,p_{\text{el}}}(y_{\text{vi}}(\Omega); \mathbb{R}^d) \rightarrow W^{1,p_{\text{el}}}(\mathbb{R}^d; \mathbb{R}^d)$. We thus define $\tilde{y}_{\text{el},\tau} \in W^{1,p_{\text{el}}}(\bar{y}_{\text{vi},\tau}(\Omega); \mathbb{R}^d)$ as the restriction to $\bar{y}_{\text{vi},\tau}(\Omega)$ of the extension $E\tilde{y}_{\text{el}}$, namely,

$$\tilde{y}_{\text{el},\tau} := E\tilde{y}_{\text{el}} \Big|_{\bar{y}_{\text{vi},\tau}(\Omega)}.$$

In the following, we just concentrate our attention on the stored elastic energy part, since the treatment of the loading term is immediate. We write

$$\begin{aligned} \int_{\bar{y}_{\text{vi},\tau}(t,\Omega)} W_{\text{el}}(\nabla \tilde{y}_{\text{el},\tau}) \, d\xi - \int_{\bar{y}_{\text{vi},\tau}(t,\Omega)} W_{\text{el}}(\nabla \bar{y}_{\text{el},\tau}) \, d\xi &= \int_{\bar{y}_{\text{vi},\tau}(t,\Omega) \cap y_{\text{vi}}(t,\Omega)} W_{\text{el}}(\nabla \tilde{y}_{\text{el},\tau}) \, d\xi \\ &\quad + \int_{\bar{y}_{\text{vi},\tau}(t,\Omega) \setminus y_{\text{vi}}(t,\Omega)} W_{\text{el}}(\nabla \tilde{y}_{\text{el},\tau}) \, d\xi - \int_{\bar{y}_{\text{vi},\tau}(t,\Omega)} W_{\text{el}}(\nabla \bar{y}_{\text{el},\tau}) \, d\xi \end{aligned} \quad (6.14)$$

By the growth condition (4.1) on W_{el} and the fact that on the set $\bar{y}_{\text{vi},\tau}(t, \Omega)$ we have $\tilde{\bar{y}}_{\text{el},\tau} = \tilde{y}_{\text{el},\tau}$, which is uniformly bounded in $W^{1,p_{\text{el}}}(y_{\text{vi},\tau}(t, \Omega); \mathbb{R}^d)$, we find

$$\int_{\bar{y}_{\text{vi},\tau}(t,\Omega) \setminus y_{\text{vi}}(t,\Omega)} W_{\text{el}}(\nabla \tilde{\bar{y}}_{\text{el},\tau}) \, d\xi = \int_{\tilde{y}_{\text{vi},\tau}(t,\Omega) \setminus y_{\text{vi}}(t,\Omega)} W_{\text{el}}(\nabla \tilde{y}_{\text{el},\tau}) \, d\xi \stackrel{(4.1)}{\leq} c |\bar{y}_{\text{vi},\tau}(t, \Omega) \setminus y_{\text{vi}}(t, \Omega)|.$$

Since the measure of the set $\bar{y}_{\text{vi},\tau}(t, \Omega) \setminus y_{\text{vi}}(t, \Omega)$ vanishes as τ goes to 0 by the uniform convergence of $\bar{y}_{\text{vi},\tau}$ to y_{vi} , we have

$$\lim_{\tau \rightarrow 0} \int_{\bar{y}_{\text{vi},\tau}(t,\Omega)} W_{\text{el}}(\nabla \tilde{\bar{y}}_{\text{el},\tau}) \, d\xi = \int_{y_{\text{vi}}(t,\Omega)} W_{\text{el}}(\nabla \tilde{y}_{\text{el}}) \, d\xi.$$

We can hence pass to the lim sup in inequality (6.14) as $\tau \rightarrow 0$ and obtain (6.13), which is nothing but the semistability (4.11).

7. LINEARIZATION: PROOF OF THEOREM 4.2

We first prove in Subsection 7.1 some coercivity results, uniform with respect to the linearization parameter ε , which in turn provide a priori estimates on the sequence of approximable solutions $(u_\varepsilon, v_\varepsilon)_\varepsilon$. Then, we check in Subsection 7.2 some Γ -lim inf inequalities for the energy and the dissipation. Eventually, in Subsection 7.3 we show that the approximable solutions $(u_\varepsilon, v_\varepsilon)_\varepsilon$ converge, up to subsequences, to solutions of the linearized problem in the sense of Theorem 4.2.

In the following, we use the notation

$$W_{\text{el}}^\varepsilon(A) := \frac{1}{\varepsilon^2} W_{\text{el}}(I + \varepsilon A), \quad \widetilde{W}_{\text{vi}}^\varepsilon(A) := \frac{1}{\varepsilon^2} \widetilde{W}_{\text{vi}}(I + \varepsilon A), \quad \psi^\varepsilon(A) := \frac{1}{\varepsilon^2} \psi(\varepsilon A)$$

for the rescaled energy and dissipation densities.

7.1. Coercivity. We devote this subsection to the proof of the following.

Lemma 7.1 (Coercivity). *For every $(u, v) \in \widetilde{\mathcal{A}}_\varepsilon$, it holds*

$$\|u\|_{H^1(\Omega)}^2 + \|v\|_{H^1(\Omega)}^2 + \|\nabla \dot{v}\|_{L^2(\Omega)}^2 + \|\varepsilon \nabla v\|_{L^\infty(\Omega)} \leq c(1 + \mathcal{W}_{\text{vi}}^\varepsilon(v) + \mathcal{W}_{\text{el}}^\varepsilon(u, v) + \Psi^\varepsilon(v)).$$

Notice the bound on the term $\|\varepsilon \nabla v\|_{L^\infty(\Omega)}$, which follows from assumption (L4). This bound will play an important role in passing to the limit for $\varepsilon \rightarrow 0$.

Proof of Lemma 7.1. With no loss of generality we can assume $\mathcal{W}_{\text{vi}}^\varepsilon(v) + \mathcal{W}_{\text{el}}^\varepsilon(u, v) + \Psi^\varepsilon(v) < \infty$

By assumption (L4) we have that $I + \varepsilon \nabla v \in K \subset\subset SL(d)$ almost everywhere in Ω . By using (4.18) we get that $|I + \varepsilon \nabla v| \leq c_K$, hence

$$\|\varepsilon \nabla v\|_{L^\infty(\Omega)} \leq c.$$

Since v has zero mean by assumption, by applying the Poincaré-Wirtinger inequality and by taking into account the growth condition (4.16) we get

$$\|v\|_{H^1(\Omega)}^2 \leq c \|\nabla v\|_{L^2(\Omega)}^2 = \frac{c}{\varepsilon^2} \|\varepsilon \nabla v\|_{L^2(\Omega)}^2 \leq \frac{c}{\varepsilon^2} \int_{\Omega} W_{\text{vi}}(I + \varepsilon \nabla v) \, dX = c \mathcal{W}_{\text{vi}}^\varepsilon(v).$$

Using condition (4.19) and the fact that $|I + \varepsilon \nabla v|$ is bounded in L^∞ we get

$$\begin{aligned} \|\nabla \dot{v}\|_{L^2(\Omega)}^2 &= \frac{1}{\varepsilon^2} \int_{\Omega} |\varepsilon \nabla \dot{v}|^2 dX \leq \frac{1}{\varepsilon^2} \int_{\Omega} |\varepsilon \nabla \dot{v}|^2 |I + \varepsilon \nabla v|^{-2} |I + \varepsilon \nabla v|^2 dX \\ &\leq \frac{c}{\varepsilon^2} \int_{\Omega} \psi(\varepsilon \nabla \dot{v} (I + \varepsilon \nabla v)^{-1}) dX = c \Psi^\varepsilon(v). \end{aligned}$$

In order to obtain the H^1 -bound on u , we start by fixing $Q \in SO(d)$ and define $F_{\text{el}} := \nabla y (I + \varepsilon \nabla v)^{-1}$, where we recall that $y = \text{id} + \varepsilon u$. We have

$$\begin{aligned} |\nabla y - Q|^2 &= |\nabla y - Q(I + \varepsilon \nabla v) + \varepsilon Q \nabla v|^2 = |(F_{\text{el}} - Q)(I + \varepsilon \nabla v) + \varepsilon Q \nabla v|^2 \\ &\leq c(|F_{\text{el}} - Q|^2 |I + \varepsilon \nabla v|^2 + \varepsilon^2 |\nabla v|^2) \leq c(|F_{\text{el}} - Q|^2 + \varepsilon^2 |\nabla v|^2). \end{aligned}$$

Taking the infimum over $Q \in SO(d)$ we get

$$\text{dist}^2(\nabla y, SO(d)) \leq c(\text{dist}^2(F_{\text{el}}, SO(d)) + \varepsilon^2 |\nabla v|^2).$$

We now integrate over Ω and, thanks to assumption (4.13) and the estimate on $\|v\|_{H^1(\Omega)}^2$, we find

$$\int_{\Omega} \text{dist}^2(\nabla y, SO(d)) dX \leq c \int_{\Omega} W_{\text{el}}(F_{\text{el}}) dX + c\varepsilon^2 \|\nabla v\|_{L^2(\Omega)}^2 \leq c\varepsilon^2 (\mathcal{W}_{\text{el}}^\varepsilon(u, v) + \mathcal{W}_{\text{vi}}^\varepsilon(v)).$$

The classical Rigidity Estimate [10, Theorem 3.1] implies that there exists a constant rotation $\hat{Q} \in SO(d)$ such that

$$\|\nabla y - \hat{Q}\|_{L^2(\Omega)}^2 \leq c \|\text{dist}(\nabla y, SO(d))\|_{L^2(\Omega)}^2.$$

We hence have that

$$\|\nabla y - \hat{Q}\|_{L^2(\Omega)}^2 \leq c\varepsilon^2 (\mathcal{W}_{\text{el}}^\varepsilon(u, v) + \mathcal{W}_{\text{vi}}^\varepsilon(v)).$$

Recalling that $y = \text{id}$ on Γ_D , by [5, (3.14)] we also deduce

$$\|I - \hat{Q}\|_{L^2(\Omega)}^2 \leq c\varepsilon^2 (\mathcal{W}_{\text{el}}^\varepsilon(u, v) + \mathcal{W}_{\text{vi}}^\varepsilon(v)).$$

In conclusion, we get that

$$\begin{aligned} \|\nabla u\|_{L^2(\Omega)}^2 &= \frac{1}{\varepsilon^2} \|\nabla y - I\|_{L^2(\Omega)}^2 \leq \frac{2}{\varepsilon^2} \|\nabla y - \hat{Q}\|_{L^2(\Omega)}^2 + \frac{2}{\varepsilon^2} \|\hat{Q} - I\|_{L^2(\Omega)}^2 \\ &\leq c (\mathcal{W}_{\text{el}}^\varepsilon(u, v) + \mathcal{W}_{\text{vi}}^\varepsilon(v)) \end{aligned}$$

whence the assertion follows. \square

7.2. Γ -lim inf *inequalities*. In order to proceed with the linearization, we need to establish Γ -lim inf inequalities. At first, we prove the following Lemma on the convergence of the densities.

Lemma 7.2 (Convergence of the densities). *Assume conditions (L3), (L6), and (L9). Then, we have*

$$W_{\text{el}}^\varepsilon \rightarrow |\cdot|_{\mathbb{C}_{\text{el}}}^2, \quad \widetilde{W}_{\text{vi}}^\varepsilon \rightarrow |\cdot|_{\mathbb{C}_{\text{vi}}}^2, \quad \psi^\varepsilon \rightarrow |\cdot|_{\mathbb{D}}^2.$$

locally uniformly. Moreover, we have

$$|z|_{\mathbb{C}_{\text{el}}}^2 \leq \inf \left\{ \liminf_{\varepsilon \rightarrow 0} W_{\text{el}}^\varepsilon(z_\varepsilon) \mid z_\varepsilon \rightarrow z \text{ in } \mathbb{R}^{d \times d} \right\}, \quad (7.1)$$

$$|z|_{\mathbb{C}_{\text{vi}}}^2 \leq \inf \left\{ \liminf_{\varepsilon \rightarrow 0} \widetilde{W}_{\text{vi}}^\varepsilon(z_\varepsilon) \mid z_\varepsilon \rightarrow z \text{ in } \mathbb{R}^{d \times d} \right\}, \quad (7.2)$$

$$|z|_{\mathbb{D}}^2 \leq \inf \left\{ \liminf_{\varepsilon \rightarrow 0} \psi^\varepsilon(z_\varepsilon) \mid z_\varepsilon \rightarrow z \text{ in } \mathbb{R}^{d \times d} \right\}. \quad (7.3)$$

Proof. Let $K_0 \subset\subset \mathbb{R}^{d \times d}$ be given. Fix $\delta > 0$ and let $c_{\text{el}}(\delta)$ be the corresponding constant from assumption (4.15). Then, for sufficiently small ε , we have that $\varepsilon K_0 \subset B_{c_{\text{el}}(\delta)}(0)$. Hence, by (4.15) we find

$$\limsup_{\varepsilon \rightarrow 0} \sup_{K_0} |W_{\text{el}}^\varepsilon(\cdot) - |\cdot|_{\mathbb{C}_{\text{el}}}^2| \leq \delta \sup_{K_0} |\cdot|_{\mathbb{C}_{\text{el}}}^2 \leq \delta c.$$

Since δ is arbitrary, we get local uniform convergence for $W_{\text{el}}^\varepsilon$. For $\widetilde{W}_{\text{vi}}^\varepsilon$ and ψ^ε proof of convergence is analogous, using the corresponding conditions (4.17) and (4.20), respectively.

For the Γ -lim inf inequalities (7.1)-(7.3), let $(z_\varepsilon)_\varepsilon \subset \mathbb{R}^{d \times d}$ be such that $z_\varepsilon \rightarrow z$ in $\mathbb{R}^{d \times d}$. Assume without loss of generality that $\sup_\varepsilon W_{\text{el}}^\varepsilon(z_\varepsilon) < \infty$. Then, the inequality follows from local uniform convergence. The same applies to $\widetilde{W}_{\text{vi}}^\varepsilon$ and ψ^ε . \square

We are now in the position of proving the Γ -lim inf inequalities for the functionals.

Lemma 7.3 (Γ -lim inf inequalities). *For every $(u, v) \in \widetilde{\mathcal{A}}_\varepsilon$, we have*

$$\begin{aligned} \mathcal{W}_{\text{el}}^0(u, v) + \mathcal{W}_{\text{vi}}^0(v) &\leq \inf \left\{ \liminf_{\varepsilon \rightarrow 0} (\mathcal{W}_{\text{el}}^\varepsilon(u_\varepsilon, v_\varepsilon) + \mathcal{W}_{\text{vi}}^\varepsilon(v_\varepsilon)) \right. \\ &\quad \left. \mid (u_\varepsilon, v_\varepsilon) \rightharpoonup (u, v) \text{ weakly in } H^1(\Omega; \mathbb{R}^d)^2 \right\}, \\ \int_0^t \Psi^0(\dot{v}) &\leq \inf \left\{ \liminf_{\varepsilon \rightarrow 0} \int_0^t \Psi^\varepsilon(v_\varepsilon, \dot{v}_\varepsilon) \mid v_\varepsilon \rightharpoonup v \text{ weakly in } H^1([0, t]; L^2(\Omega; \mathbb{R}^d)) \right\}. \end{aligned}$$

Proof. Let $(u_\varepsilon, v_\varepsilon) \rightharpoonup (u, v)$ weakly in $H^1(\Omega; \mathbb{R}^d)^2$ and assume without loss of generality that $\sup_\varepsilon (\mathcal{W}_{\text{el}}^\varepsilon(u_\varepsilon, v_\varepsilon) + \mathcal{W}_{\text{vi}}^\varepsilon(v_\varepsilon)) < \infty$.

Thanks to inequality (7.2) and [31, Lemma 4.2] we immediately handle the stored viscous energy terms as

$$\int_\Omega |\nabla v|_{\mathbb{C}_{\text{vi}}}^2 dX \leq \liminf_{\varepsilon \rightarrow 0} \int_\Omega W_{\text{vi}}^\varepsilon(\nabla v_\varepsilon) dX = \liminf_{\varepsilon \rightarrow 0} \frac{1}{\varepsilon^2} \int_\Omega W_{\text{vi}}(I + \varepsilon \nabla v_\varepsilon) dX.$$

The treatment of the stored elastic energy term requires some steps. First, notice that, since $\sup_\varepsilon \mathcal{W}_{\text{vi}}^\varepsilon(v_\varepsilon) < \infty$, we have that $I + \varepsilon \nabla v_\varepsilon \in K$ almost everywhere in Ω . Hence, $\|\varepsilon \nabla v_\varepsilon\|_{L^\infty(\Omega)} \leq c$ uniformly in ε and $(I + \varepsilon \nabla v_\varepsilon)^{-1}$ is bounded in $L^\infty(\Omega; \mathbb{R}^{d \times d})$ by (4.18) as well.

Let us then define the auxiliary tensor Z_ε as

$$Z_\varepsilon := \frac{1}{\varepsilon} \left((I + \varepsilon \nabla v_\varepsilon)^{-1} - I + \varepsilon \nabla v_\varepsilon \right) = \varepsilon (I + \varepsilon \nabla v_\varepsilon)^{-1} (\nabla v_\varepsilon)^2$$

so that $(I + \varepsilon \nabla v_\varepsilon)^{-1} = I - \varepsilon \nabla v_\varepsilon + \varepsilon Z_\varepsilon$. Notice that $\|\varepsilon Z_\varepsilon\|_{L^\infty(\Omega)} \leq c$ since $\|\varepsilon \nabla v_\varepsilon\|_{L^\infty(\Omega)} \leq c$. Furthermore,

$$\|Z_\varepsilon\|_{L^1(\Omega)} \leq \varepsilon \|(I + \varepsilon \nabla v_\varepsilon)^{-1} (\nabla v_\varepsilon)^2\|_{L^1(\Omega)} \leq c \varepsilon \|\nabla v_\varepsilon\|_{L^2(\Omega)} \leq c \varepsilon.$$

Hence, Z_ε is bounded in $L^2(\Omega; \mathbb{R}^{d \times d})$ by interpolation, namely,

$$\|Z_\varepsilon\|_{L^2(\Omega)} \leq \|\varepsilon Z_\varepsilon\|_{L^\infty(\Omega)}^{1/2} \frac{\|Z_\varepsilon\|_{L^1(\Omega)}^{1/2}}{\varepsilon^{1/2}} \leq c.$$

We therefore conclude that $Z_\varepsilon \rightharpoonup 0$ weakly in $L^2(\Omega; \mathbb{R}^{d \times d})$.

Define now $F_{\text{el}}^\varepsilon := (I + \varepsilon \nabla u_\varepsilon)(I + \varepsilon \nabla v_\varepsilon)^{-1}$ and

$$A^\varepsilon := \frac{F_{\text{el}}^\varepsilon - I}{\varepsilon} = \frac{1}{\varepsilon} \left((I + \varepsilon \nabla u_\varepsilon)(I + \varepsilon \nabla v_\varepsilon)^{-1} - I \right).$$

We want to show that $A^\varepsilon \rightharpoonup \nabla u - \nabla v$ weakly in $L^2(\Omega; \mathbb{R}^{d \times d})$. Let us compute

$$A^\varepsilon = \frac{1}{\varepsilon} \left((I + \varepsilon \nabla u_\varepsilon)(I - \varepsilon \nabla v_\varepsilon + \varepsilon Z_\varepsilon) - I \right) = \nabla u_\varepsilon - \nabla v_\varepsilon + Z_\varepsilon - \varepsilon(\nabla u_\varepsilon \nabla v_\varepsilon - \nabla u_\varepsilon Z_\varepsilon).$$

Since $\nabla u_\varepsilon - \nabla v_\varepsilon \rightharpoonup \nabla u - \nabla v$ and $Z_\varepsilon \rightharpoonup 0$ weakly in $L^2(\Omega; \mathbb{R}^{d \times d})$, it remains to show that $H_\varepsilon := \varepsilon(\nabla u_\varepsilon \nabla v_\varepsilon - \nabla u_\varepsilon Z_\varepsilon) \rightharpoonup 0$ weakly in $L^2(\Omega; \mathbb{R}^{d \times d})$. Notice that $\|H_\varepsilon\|_{L^2(\Omega)} \leq c$ since ∇u_ε is bounded in $L^2(\Omega; \mathbb{R}^{d \times d})$ and $\varepsilon \nabla v_\varepsilon$ and $\varepsilon Z_\varepsilon$ are bounded in $L^\infty(\Omega; \mathbb{R}^{d \times d})$. Moreover, since ∇v_ε and Z_ε are bounded in $L^2(\Omega; \mathbb{R}^{d \times d})$, then $\|H_\varepsilon\|_{L^1(\Omega)} \leq c\varepsilon$ so that $H_\varepsilon \rightharpoonup 0$ weakly in $L^2(\Omega; \mathbb{R}^{d \times d})$.

Hence, we have by (7.1) and [31, Lemma 4.2] that

$$\begin{aligned} \int_{\Omega} |\nabla u - \nabla v|_{\mathbb{C}_{\text{el}}}^2 dX &\leq \liminf_{\varepsilon \rightarrow 0} \int_{\Omega} W_{\text{el}}^\varepsilon(A^\varepsilon) dX \\ &= \liminf_{\varepsilon \rightarrow 0} \frac{1}{\varepsilon^2} \int_{\Omega} W_{\text{el}} \left((I + \varepsilon \nabla u_\varepsilon)(I + \varepsilon \nabla v_\varepsilon)^{-1} \right) dX. \end{aligned}$$

Let $(v_\varepsilon)_\varepsilon$ be such that $v_\varepsilon \rightharpoonup v$ weakly in $H^1([0, t]; L^2(\Omega; \mathbb{R}^d))$, and $\sup_\varepsilon \Psi^\varepsilon(v_\varepsilon, \dot{v}_\varepsilon) < \infty$. By coercivity we have that (up to a non relabeled subsequence) $\nabla \dot{v}_\varepsilon (I + \varepsilon \nabla v_\varepsilon)^{-1} \rightharpoonup Y$ weakly in $L^2(\Omega)$. We want to identify the limit as $Y = \nabla \dot{v}$. First, notice that

$$\nabla \dot{v}_\varepsilon (I + \varepsilon \nabla v_\varepsilon)^{-1} - \nabla \dot{v}_\varepsilon = -\varepsilon \nabla \dot{v}_\varepsilon \nabla v_\varepsilon (I + \varepsilon \nabla v_\varepsilon)^{-1} =: Y_\varepsilon \rightharpoonup 0 \text{ weakly in } L^2(\Omega; \mathbb{R}^{d \times d}).$$

Indeed $\|Y_\varepsilon\|_{L^1(\Omega)} \leq c\varepsilon$ and $\|Y_\varepsilon\|_{L^2(\Omega)} \leq c$. Then the Γ -lim inf inequality for the dissipation term follows from (7.3) and [31, Lemma 4.2] applied on the domain $[0, t] \times \Omega$. \square

7.3. Convergence of approximable solutions. Thanks to Lemma 7.1 and the energy inequality (4.22) we have

$$\begin{aligned} \|u_\varepsilon(t)\|_{H^1(\Omega)}^2 &\leq c(1 + \mathcal{E}^\varepsilon(t, u_\varepsilon, v_\varepsilon)) \leq c \left(1 + \mathcal{E}^\varepsilon(t, u_\varepsilon, v_\varepsilon) + \int_0^t \Psi^\varepsilon(v_\varepsilon, \dot{v}_\varepsilon) \right) \\ &\leq c \left(1 + \mathcal{E}^\varepsilon(u_\varepsilon^0, v_\varepsilon^0) + \int_0^t \langle \dot{\ell}^\varepsilon, u_\varepsilon \rangle \right). \end{aligned} \quad (7.4)$$

By the Gronwall Lemma [18, Lemma C.2.1, p. 534] this implies that $\|u_\varepsilon(t)\|_{H^1(\Omega)} \leq c$ for every $t \in [0, T]$.

Concerning v_ε we similarly deduce from Lemma 7.1 that

$$\|v_\varepsilon(t)\|_{H^1(\Omega)}^2 \leq c(1 + \mathcal{E}^\varepsilon(t, u_\varepsilon, v_\varepsilon)) \leq c \left(1 + \mathcal{E}^\varepsilon(u_\varepsilon^0, v_\varepsilon^0) + \int_0^t \langle \dot{\ell}^\varepsilon, u_\varepsilon \rangle \right)$$

so that $\|v_\varepsilon(t)\|_{H^1(\Omega)} \leq c$ for every $t \in [0, T]$, as well.

Again, by Lemma 7.1 we have $\|\nabla \dot{v}_\varepsilon(t)\|_{L^2(\Omega)}^2 \leq c\Psi^\varepsilon(v_\varepsilon(t), \dot{v}_\varepsilon(t))$ for every $t \in [0, T]$. This yields

$$\int_0^t \|\nabla \dot{v}_\varepsilon\|_{L^2(\Omega)}^2 \leq c \int_0^t \Psi^\varepsilon(v_\varepsilon, \dot{v}_\varepsilon) \leq c \left(1 + \mathcal{E}^\varepsilon(u_\varepsilon^0, v_\varepsilon^0) + \int_0^t \langle \dot{\ell}^\varepsilon, u_\varepsilon \rangle \right),$$

hence, $\|\nabla \dot{v}_\varepsilon\|_{L^2(0, T; L^2(\Omega))} \leq c$. Therefore, up to a non relabeled subsequence, we find

$$v_\varepsilon(t) \rightharpoonup v(t) \text{ in } H^1(\Omega; \mathbb{R}^d), \quad \nabla \dot{v}_\varepsilon(t) \rightharpoonup \nabla \dot{v}(t) \text{ in } L^2(\Omega; \mathbb{R}^{d \times d})$$

for almost every $t \in [0, T]$. Moreover notice that, since $\mathcal{E}^\varepsilon(t, u_\varepsilon(t), v_\varepsilon(t)) < \infty$ for every $t \in [0, T]$, from assumption (L4) it follows $I + \varepsilon \nabla v_\varepsilon \in K$ for almost every $x \in \Omega$ and for every $t \in [0, T]$.

Fix now $t \in [0, T]$. By (7.4) we have

$$u_\varepsilon(t) \rightharpoonup u(t) \text{ in } H^1(\Omega; \mathbb{R}^d), \quad (7.5)$$

where at this point the subsequence above may in general depend on t . However, we shall see that this is not the case by uniqueness of the limit (see below).

The linearized energy inequality (4.24) follows immediately from the energy inequality (4.22) at level ε , thanks to the lim inf-inequalities in Lemma 7.3 and to the continuity of $\dot{\ell}$.

The linearized semistability condition (4.25) on the other hand is more delicate, since it requires to pass to the lim sup on the right-hand side of the semistability condition (4.23) by choosing a suitable recovery sequence \tilde{u}_ε . In the following, we will drop the indication of the time dependence (note that time is fixed in this statement) and simply denote $u_\varepsilon(t) = u_\varepsilon, v_\varepsilon(t) = v_\varepsilon, u(t) = u$, and $v(t) = v$, to simplify notation.

We start by showing that, for all fixed $\hat{u} \in H_{\Gamma_D}^1(\Omega; \mathbb{R}^d)$ one can choose a recovery sequence $(\tilde{u}_\varepsilon)_\varepsilon$ such that

$$0 \stackrel{(4.23)}{\leq} \limsup_{\varepsilon \rightarrow 0} (\mathcal{W}_{\text{el}}^\varepsilon(\tilde{u}_\varepsilon, v_\varepsilon) - \mathcal{W}_{\text{el}}^\varepsilon(u_\varepsilon, v_\varepsilon)) \leq \mathcal{W}_{\text{el}}^0(\hat{u}, v) - \mathcal{W}_{\text{el}}^0(u, v). \quad (7.6)$$

With no loss of generality we can assume by density that \hat{u} has the form

$$\hat{u} := u + \tilde{u} \quad \text{where } \tilde{u} \in C_c^\infty(\Omega; \mathbb{R}^d).$$

As inequality (4.23) holds for every \tilde{u}_ε such that $(\tilde{u}_\varepsilon, v_\varepsilon) \in \tilde{A}_\varepsilon$, i.e., $\tilde{u}_\varepsilon \in H_{\Gamma_D}^1(\Omega; \mathbb{R}^d)$, we can choose

$$\tilde{u}_\varepsilon := \hat{u} + u_\varepsilon - u = \tilde{u} + u_\varepsilon.$$

Notice that we have

$$\tilde{u}_\varepsilon - u_\varepsilon = \tilde{u} \quad \text{and} \quad \tilde{u}_\varepsilon + u_\varepsilon = \tilde{u} + 2u_\varepsilon \rightharpoonup \tilde{u} + 2u \quad \text{in } H^1(\Omega; \mathbb{R}^d). \quad (7.7)$$

To check inequality (7.6) we need to show that

$$\begin{aligned} & \limsup_{\varepsilon \rightarrow 0} \frac{1}{\varepsilon^2} \left(\int_{\Omega} (W_{\text{el}}((I + \varepsilon \nabla \tilde{u}_\varepsilon)(I + \varepsilon \nabla v_\varepsilon)^{-1}) - W_{\text{el}}((I + \varepsilon \nabla u_\varepsilon)(I + \varepsilon \nabla v_\varepsilon)^{-1})) \, dX \right) \\ & \leq \int_{\Omega} (|\nabla(\hat{u} - v)|_{\mathbb{C}_{\text{el}}}^2 - |\nabla(u - v)|_{\mathbb{C}_{\text{el}}}^2) \, dX. \end{aligned} \quad (7.8)$$

Let us first study the limiting behaviour of the arguments of these energy densities. We define $(I + \varepsilon \nabla \tilde{u}_\varepsilon)(I + \varepsilon \nabla v_\varepsilon)^{-1} = I + \varepsilon A_\varepsilon$, namely

$$\begin{aligned} A_\varepsilon & := \frac{1}{\varepsilon} \left((I + \varepsilon \nabla \tilde{u}_\varepsilon)(I + \varepsilon \nabla v_\varepsilon)^{-1} - I \right) \\ & = (\nabla \tilde{u}_\varepsilon - \nabla v_\varepsilon) - \varepsilon \nabla \tilde{u}_\varepsilon \nabla v_\varepsilon + \varepsilon (I + \varepsilon \nabla \tilde{u}_\varepsilon)(\nabla v_\varepsilon)^2 (I + \varepsilon \nabla v_\varepsilon)^{-1} \\ & = (\nabla \tilde{u}_\varepsilon - \nabla v_\varepsilon) - \varepsilon \nabla \tilde{u}_\varepsilon \nabla v_\varepsilon + M_\varepsilon + \varepsilon \nabla \tilde{u}_\varepsilon M_\varepsilon, \end{aligned}$$

where we have set $M_\varepsilon := \varepsilon (\nabla v_\varepsilon)^2 (I + \varepsilon \nabla v_\varepsilon)^{-1}$. Similarly, we can write $(I + \varepsilon \nabla u_\varepsilon)(I + \varepsilon \nabla v_\varepsilon)^{-1} = I + \varepsilon B_\varepsilon$ by letting

$$\begin{aligned} B_\varepsilon & := \frac{1}{\varepsilon} \left((I + \varepsilon \nabla u_\varepsilon)(I + \varepsilon \nabla v_\varepsilon)^{-1} - I \right) \\ & = (\nabla u_\varepsilon - \nabla v_\varepsilon) - \varepsilon \nabla u_\varepsilon \nabla v_\varepsilon + M_\varepsilon + \varepsilon \nabla u_\varepsilon M_\varepsilon. \end{aligned}$$

Notice that by definition of M_ε and the fact that $I + \varepsilon \nabla v_\varepsilon \in K$ we have

$$\|\varepsilon M_\varepsilon\|_{L^\infty(\Omega)} \leq c, \quad \|M_\varepsilon\|_{L^1(\Omega)} \leq c\varepsilon \|(\nabla v_\varepsilon)\|_{L^2(\Omega)} \leq c\varepsilon.$$

This implies by interpolation that M_ε is also bounded in $L^2(\Omega; \mathbb{R}^{d \times d})$, hence $M_\varepsilon \rightharpoonup 0$ weakly in $L^2(\Omega; \mathbb{R}^{d \times d})$. Then, we have

$A_\varepsilon - B_\varepsilon = (\nabla \tilde{u}_\varepsilon - u_\varepsilon)(I - \varepsilon \nabla v_\varepsilon + \varepsilon M_\varepsilon) \stackrel{(7.7)}{=} \nabla \tilde{u} + \nabla \tilde{u}(-\varepsilon \nabla v_\varepsilon + \varepsilon M_\varepsilon) \rightarrow \nabla \tilde{u}$ strongly in $L^2(\Omega; \mathbb{R}^{d \times d})$, since $\nabla \tilde{u} \in C_c^\infty(\Omega; \mathbb{R}^{d \times d})$ is bounded in $L^\infty(\Omega; \mathbb{R}^{d \times d})$ and $(-\varepsilon \nabla v_\varepsilon + \varepsilon M_\varepsilon) \rightarrow 0$ strongly in $L^2(\Omega; \mathbb{R}^{d \times d})$. Moreover, by recalling (7.7) we have that

$$A_\varepsilon + B_\varepsilon = (\nabla \tilde{u}_\varepsilon + u_\varepsilon)(I - \varepsilon \nabla v_\varepsilon + \varepsilon M_\varepsilon) - 2(\nabla v_\varepsilon - M_\varepsilon) \rightharpoonup \nabla \tilde{u} + 2\nabla u - 2\nabla v \text{ weakly in } L^2(\Omega; \mathbb{R}^{d \times d}).$$

Fix now $\delta > 0$ and let $c_{\text{el}}(\delta)$ be as in assumption (4.15). Let us define the set

$$\Omega_\varepsilon^\delta := \{x \in \Omega \mid \varepsilon |A_\varepsilon| + \varepsilon |B_\varepsilon| \leq c_{\text{el}}(\delta)\}$$

containing all points where $\varepsilon |A_\varepsilon|$ and $\varepsilon |B_\varepsilon|$ are small. Notice that

$$|\Omega \setminus \Omega_\varepsilon^\delta| = \int_{\Omega \setminus \Omega_\varepsilon^\delta} 1 \, dX \leq \frac{\varepsilon^2}{c_{\text{el}}^2(\delta)} \int_{\Omega} (|A_\varepsilon| + |B_\varepsilon|)^2 \, dX \leq c \frac{\varepsilon^2}{c_{\text{el}}^2(\delta)} \rightarrow 0 \quad \text{as } \varepsilon \rightarrow 0 \quad (7.9)$$

since A_ε and B_ε are bounded in $L^2(\Omega; \mathbb{R}^{d \times d})$. We split the integrals in the left-hand side of (7.8) in the sum of the integrals on the sets $\Omega_\varepsilon^\delta$ and on the complementary sets $\Omega \setminus \Omega_\varepsilon^\delta$. By using assumption (4.15), on the sets $\Omega_\varepsilon^\delta$ we have

$$\begin{aligned} & \frac{1}{\varepsilon^2} \int_{\Omega_\varepsilon^\delta} (W_{\text{el}}(I + \varepsilon A_\varepsilon) - W_{\text{el}}(I + \varepsilon B_\varepsilon)) \, dX \\ & \leq \int_{\Omega} (|A_\varepsilon|_{\mathbb{C}_{\text{el}}}^2 - |B_\varepsilon|_{\mathbb{C}_{\text{el}}}^2 + \delta(|A_\varepsilon|_{\mathbb{C}_{\text{el}}}^2 + |B_\varepsilon|_{\mathbb{C}_{\text{el}}}^2)) \, dX. \end{aligned} \quad (7.10)$$

The first term in the right-hand side above can be treated as follows

$$\begin{aligned} & \int_{\Omega} (|A_\varepsilon|_{\mathbb{C}_{\text{el}}}^2 - |B_\varepsilon|_{\mathbb{C}_{\text{el}}}^2) \, dX = \frac{1}{2} \int_{\Omega} \mathbb{C}_{\text{el}}(A_\varepsilon + B_\varepsilon) : (A_\varepsilon - B_\varepsilon) \, dX \\ & \rightarrow \frac{1}{2} \int_{\Omega} \mathbb{C}_{\text{el}}((\nabla \hat{u} - \nabla v) + (\nabla u - \nabla v)) : ((\nabla \hat{u} - \nabla v) - (\nabla u - \nabla v)) \, dX \\ & = \int_{\Omega} (|\nabla(\hat{u} - v)|_{\mathbb{C}_{\text{el}}}^2 - |\nabla(u - v)|_{\mathbb{C}_{\text{el}}}^2) \, dX \end{aligned}$$

by means of the strong convergence of $A_\varepsilon - B_\varepsilon \rightarrow \nabla \tilde{u}$ and the weak convergence of $A_\varepsilon + B_\varepsilon \rightharpoonup \nabla \tilde{u} + 2\nabla u - 2\nabla v$ in $L^2(\Omega; \mathbb{R}^{d \times d})$. On the other hand, the second term in the right-hand side of (7.10) satisfies

$$\int_{\Omega} \delta(|A_\varepsilon|_{\mathbb{C}_{\text{el}}}^2 + |B_\varepsilon|_{\mathbb{C}_{\text{el}}}^2) \, dX \leq \delta c$$

since A_ε and B_ε are bounded in $L^2(\Omega; \mathbb{R}^{d \times d})$.

Hence, it remains to show that the integrals in (7.8) on the complements $\Omega \setminus \Omega_\varepsilon^\delta$ converge to 0 as $\varepsilon \rightarrow 0$. In order to do so, let us define

$$F_1 := (I + \varepsilon \nabla u_\varepsilon)(I + \varepsilon \nabla v_\varepsilon)^{-1} \quad F_2 := \nabla \tilde{u}(I + \varepsilon \nabla v_\varepsilon)^{-1}.$$

Since by definition $\nabla \tilde{u}_\varepsilon = \nabla \tilde{u} + \nabla u_\varepsilon$ and W is locally Lipschitz, we can write

$$\begin{aligned} & \frac{1}{\varepsilon^2} \int_{\Omega \setminus \Omega_\varepsilon^\delta} (W_{\text{el}}((I + \varepsilon \nabla \tilde{u}_\varepsilon)(I + \varepsilon \nabla v_\varepsilon)^{-1}) - W_{\text{el}}((I + \varepsilon \nabla u_\varepsilon)(I + \varepsilon \nabla v_\varepsilon)^{-1})) \, dX \\ &= \frac{1}{\varepsilon^2} \int_{\Omega \setminus \Omega_\varepsilon^\delta} |W_{\text{el}}(F_1 + \varepsilon F_2) - W_{\text{el}}(F_1)| \, dX \leq \frac{1}{\varepsilon^2} \int_{\Omega \setminus \Omega_\varepsilon^\delta} \varepsilon |F_2| \, dX \\ &\stackrel{(7.9)}{\leq} \frac{c}{\varepsilon^2} \frac{\varepsilon^2}{c_{\text{el}}^2(\delta)} \varepsilon \rightarrow 0, \end{aligned}$$

where we used that F_2 is uniformly bounded in $L^\infty(\Omega; \mathbb{R}^{d \times d})$. This concludes the proof of inequality (7.8). The check of linearized semistability (4.25) then follows as soon as one passes to the limit in the loading terms, which is straightforward.

In particular, we have proved that u solves the linear minimization problem

$$\mathcal{W}_{\text{el}}^0(u(t), v(t)) - \langle \ell^0(t), u(t) \rangle = \arg \min_{\hat{u} \in H_{\Gamma_D}^1(\Omega; \mathbb{R}^d)} \mathcal{W}_{\text{el}}^0(\hat{u}, v(t)) - \langle \ell^0(t), \hat{u} \rangle$$

for given v , thanks to (4.25). Hence, the limit u is unique and measurable in time, since it is the image of v through a linear operator. We also remark that this implies that subsequences in (7.5) can be chosen independently of t .

ACKNOWLEDGEMENTS

AC and US are supported by the Austrian Science Fund (FWF) through project F65. US and MK are partially funded by the FWF-GAČR project I5149 (GAČR 21-06569K) and the OeAD-WTZ project CZ 09/2023. US is partially funded by projects I4354 and P32788.

REFERENCES

- [1] S. Antman. Physically unacceptable viscous stresses. *Z. Angew. Math. Phys.* 49 (1998), 980–988.
- [2] L. Ambrosio, N. Gigli, G. Savaré. *Gradient flows in metric spaces and in the space of probability measures*. Lectures in Mathematics ETH Zürich. Birkhäuser, Basel, 2005.
- [3] R. Badal, M. Friedrich, M. Kružík. Nonlinear and linearized models in thermoviscoelasticity. arXiv:2203.02375.
- [4] P. G. Ciarlet, J. Nečas. Injectivity and self-contact in nonlinear elasticity. *Arch. Rational Mech. Anal.* 97 (1987), 171–188.
- [5] G. Dal Maso, M. Negri, D. Percivale. Linearized elasticity as Γ -limit of finite elasticity. *Set-Valued Anal.* 10 (2002), 165–183.
- [6] G. Dal Maso, G. Lazzaroni. Quasistatic crack growth in finite elasticity with non-interpenetration. *Ann. Inst. H. Poincaré C Anal. Non Linéaire*, 27 (2010), 257–290.
- [7] M. Fabrizio, A. Morro. *Mathematical problems in linear viscoelasticity*. SIAM Studies in Applied Mathematics, 12. Society for Industrial and Applied Mathematics (SIAM), Philadelphia, PA, 1992.
- [8] I. Fonseca, W. Gangbo. Local invertibility of Sobolev functions. *SIAM J. Math. Anal.* 26 (1995), 280–304.
- [9] M. Friedrich, M. Kružík. On the passage from nonlinear to linearized viscoelasticity. *SIAM J. Math. Anal.* 50 (2010), 4426–4456.
- [10] G. Friesecke, R. D. James, S. Müller. A theorem on geometric rigidity and the derivation of nonlinear plate theory from three-dimensional elasticity. *Comm. Pure Appl. Math.* 55 (2002), 1461–1506.
- [11] D. Grandi, M. Kružík, E. Mainini, U. Stefanelli. A phase-field approach to Eulerian interfacial energies. *Arch. Ration. Mech. Anal.* 234 (2019), 351–373.
- [12] D. Grandi, U. Stefanelli. Finite plasticity in $P^\top P$. Part II: quasistatic evolution and linearization. *SIAM J. Math. Anal.* 49 (2017), 1356–1384.
- [13] S. Hencl, P. Koskela. *Lectures on mappings of finite distortion*. Lecture Notes in Mathematics, 2096. Springer, Cham, 2014.

- [14] P. W. Jones. Quasiconformal mappings and extendability of functions in Sobolev spaces. *Acta Math.* 88 (1992), 71–88.
- [15] E. Lee. Elastic-plastic deformation at finite strains. *J. Appl. Mech.* 36 (1969), 1–6.
- [16] S. Krömer, T. Roubíček. Quasistatic viscoelasticity with self-contact at large strains. *J. Elasticity*, 142 (2020), 433–445.
- [17] M. Kružík, D. Melching, U. Stefanelli. Quasistatic evolution for dislocation-free finite plasticity. *ESAIM Control Optim. Calc. Var.* 26 (2020), Paper No. 123.
- [18] M. Kružík, T. Roubíček. *Mathematical methods in continuum mechanics of solids*. Interaction of Mechanics and Mathematics, Springer, Cham, 2019.
- [19] A.-S. Lectez, E. Verron. Influence of large strain preloads on the viscoelastic response of rubber-like materials under small oscillations. *Internat. J. Non-Linear Mech.* 81 (2016), 1–7.
- [20] S. Meo, A. Boukamel, O. Debordes. Analysis of a thermoviscoelastic model in large strain. *Comput. & Structures*, 80 (2002), 2085–2098.
- [21] A. Mainik, A. Mielke. Global existence for rate-independent gradient plasticity at finite strain. *J. Nonlinear Sci.* 19 (2009), 221–248.
- [22] A. Mielke. Finite elastoplasticity, Lie groups and geodesics on $SL(d)$. In P. Newton, A. Weinstein, and P. J. Holmes, editors, *Geometry, Dynamics, and Mechanics*, pp. 61–90. Springer-Verlag, 2002.
- [23] A. Mielke. Energetic formulation of multiplicative elasto-plasticity using dissipation distances. *Cont. Mech. Thermodyn.* 15 (2003), 351–382.
- [24] A. Mielke, S. Müller. Lower semicontinuity and existence of minimizers in incremental finite-strain elastoplasticity, *ZAMM Z. Angew. Math. Mech.* 86 (2006), 233–250.
- [25] A. Mielke, C. Ortner, Y. Şengül. An approach to nonlinear viscoelasticity via metric gradient flows. *SIAM J. Math. Anal.* 46 (2014), 1317–1347.
- [26] A. Mielke, R. Rossi, G. Savaré. A metric approach to a class of doubly nonlinear evolution equations and applications. *Ann. Sc. Norm. Super. Pisa Cl. Sci. (5)*, 7 (2008), 97–169.
- [27] A. Mielke, R. Rossi, G. Savaré. Global existence results for viscoplasticity at finite strain. *Arch. Ration. Mech. Anal.* 227 (2018), 423–475.
- [28] A. Mielke, T. Roubíček. *Rate-independent systems. Theory and application*, Applied Mathematical Sciences, 193. Springer, New York, 2015.
- [29] A. Mielke, T. Roubíček. Thermoviscoelasticity in Kelvin-Voigt rheology at large strains. *Arch. Ration. Mech. Anal.* 238 (2020), 1–45.
- [30] A. Mielke, T. Roubíček, U. Stefanelli. Γ -limits and relaxations for rate-independent evolutionary problems. *Calc. Var. Partial Differential Equations*, 31 (2008), 387–416.
- [31] A. Mielke, U. Stefanelli. Linearized plasticity is the evolutionary Γ -limit of finite plasticity. *J. Eur. Math. Soc. (JEMS)*, 15 (2013), 923–948.
- [32] N. Phan-Thien. *Understanding Viscoelasticity: Basics of Rheology*. Advanced Texts in Physics. Springer Berlin, Heidelberg 2002.
- [33] M. Röger, B. Schweizer. Strain gradient visco-plasticity with dislocation densities contributing to the energy. *Math. Models Methods Appl. Sci.* 27 (2017), 2595–2629.
- [34] T. Roubíček. *Nonlinear Partial Differential Equations with Applications*. 2nd edition, Birkhäuser, Basel, 2013.
- [35] M. T. Shaw, W. J. MacKnight. *Introduction to Polymer Viscoelasticity*. 4th ed. John Wiley & Sons, 2018.
- [36] R. Scala, U. Stefanelli. Linearization for finite plasticity under dislocation-density tensor regularization. *Contin. Mech. Thermodyn.* 33 (2021), 179–208.
- [37] U. Stefanelli. Existence for dislocation-free finite plasticity. *ESAIM Control Optim. Calc. Var.* 25 (2019), Paper No. 21.
- [38] A. Visintin. *Differential models of hysteresis*. Applied Mathematical Sciences, 111. Springer, Berlin, 1994.

(Andrea Chiesa) UNIVERSITY OF VIENNA, FACULTY OF MATHEMATICS AND VIENNA SCHOOL OF MATHEMATICS, OSKAR-MORGENSTERN-PLATZ 1, A-1090 VIENNA, AUSTRIA.

Email address: andrea.chiesa@univie.ac.at

URL: <https://www.mat.univie.ac.at/~achiesa/>

(Martin Kružík) CZECH ACADEMY OF SCIENCES, INSTITUTE OF INFORMATION THEORY AND AUTOMATION, POD VODÁRENSKOU VEŽÍ 4, 182 08, PRAGUE 8, CZECH REPUBLIC AND FACULTY OF CIVIL ENGINEERING, CZECH TECHNICAL UNIVERSITY, THÁKUROVA 7, 166 29, PRAGUE 6, CZECH REPUBLIC.

Email address: kruzik@utia.cas.cz

URL: <http://staff.utia.cas.cz/kruzik/>

(Ulisse Stefanelli) UNIVERSITY OF VIENNA, FACULTY OF MATHEMATICS, OSKAR-MORGENSTERN-PLATZ 1, A-1090 VIENNA, AUSTRIA, UNIVERSITY OF VIENNA, VIENNA RESEARCH PLATFORM ON ACCELERATING PHOTOREACTION DISCOVERY, WÄHRINGERSTRASSE 17, 1090 WIEN, AUSTRIA, AND ISTITUTO DI MATEMATICA APPLICATA E TECNOLOGIE INFORMATICHE *E. Magenes*, VIA FERRATA 1, I-27100 PAVIA, ITALY.

Email address: ulisse.stefanelli@univie.ac.at

URL: <http://www.mat.univie.ac.at/~stefanelli>