

# Aggregated (Bi-)Simulation of Finite Valued Networks <sup>★</sup>

Zhengping Ji<sup>†‡</sup>, Xiao Zhang<sup>†</sup>, Daizhan Cheng<sup>†</sup>

<sup>†</sup>Key Laboratory of Systems and Control, Institute of Systems Science,  
Chinese Academy of Sciences, Beijing 100190, P.R.China

<sup>‡</sup>School of Mathematical Sciences, University of Chinese Academy of Sciences, Beijing 100049, P.R.China

---

## Abstract

The paper provides a method to approximate a large-scale finite-valued network by a smaller model called the aggregated simulation, which is a combination of aggregation and (bi-)simulation. First, the algebraic state space representation (ASSR) of a transition system is presented. Under output equivalence, the quotient system is obtained, which is called the simulation of the original transition system. The ASSR of the quotient system is obtained. The aggregated (bi-)simulation is executed in several steps: a large scale finite-valued network is firstly aggregated into several blocks, each of which is considered as a network where the in-degree nodes and out-degree nodes are considered as the block inputs and block outputs respectively. Then the dynamics of each block is converted into its quotient system, called its simulation. Then the overall network can be approximated by the quotient systems of each blocks, which is called the aggregated simulation. If the simulation of a block is a bi-simulation, the approximation becomes a lossless transformation. Otherwise, the quotient system is only a (non-deterministic) transition system, and it can be replaced by a probabilistic networks. Aggregated simulation can reduce the dimension of the original network, while a tradeoff between computation complexity and approximation error need to be decided.

*Key words:* Transition system, finite-valued network, simulation, aggregation, semi-tensor product of matrices.

---

## 1 Introduction

In recent years networked systems, as one of the most important objects of complex systems, become a hot topic in overall scientific community. There are so many networks from high technologies to daily life, such as internet, neural network, logistic network, Boolean network for gen regularity network, networked game, etc.

Among them, finite-valued network is one of the most important networks. The historical origin of finite-valued networks may be tracked to finite-valued machine such as Turing machine [31,33,34]; coding-decoding in cryptography [3,5,35]; mapping and functions over finite sets [4,28,29]; and Boolean networks [7,14,17,18,19]; etc. In the early 1960s two Nobel price winners Jacob and Monod showed that any cell contains a number of regulatory genes that acts as switches, which inspired Kauffman to propose a model, called Boolean network, to formulate genetic regulatory network [32]. Since the

Boolean network has been successfully applied to biological networks, it caused a enthusiasm in studying Boolean network and Boolean control network.

A Boolean network is described as a logical system, there was no convenient tool to deal with it, until semi-tensor product (STP) of matrix was used into the investigation. STP converts a logical (control) system into a linear (bi-linear) difference system, called the algebraic state space representation (ASSR). Then the classical mathematical tools, such as the matrix theory and the theory of difference equation etc., can be used to analysing and control designing of Boolean networks [7]. This approach promotes the investigation of Boolean networks as well as other kind of finite valued networks.

Nowadays, the classes of finite valued networks investigated are various. According to the domain values there are Boolean networks,  $k$ -valued networks [1], and mix-valued networks [7]; according to the state transition form, there are deterministic (which means there is at most one successor to each state such as Boolean networks) and non-deterministic (which means a state may have more than one successors such as finite automata), and the transition type maybe conventional

---

<sup>★</sup> This work is supported partly by NNSF 62073315 of China. Corresponding author: Daizhan Cheng. Tel.: +86 10 6265 1445; fax.: +86 10 6258 7343.

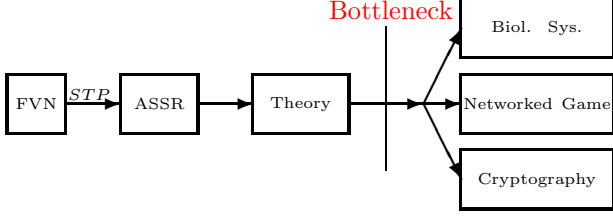


Fig. 1. STP Approach to FVN

(i.e., uniquely determined), probabilistic [30], and stochastic [9]; according to the algebraic structure of the bearing space, there are Boolean algebra [8], finite field [26], finite ring [11], lattice [15], etc. In addition, several other kinds of networks can be converted into such category, such as finite networked games [10], finite valued machines [33,34], etc.

All the above mentioned different kinds of finite valued networks have been investigated using STP. Various of analysis and control problems have been discussed, including topological structure [6], controllability, observability, disturbance decoupling, decomposition, identification, realization, tracking, and optimal control, etc. We refer to some survey papers for the application of STP to control problems of finite-valued networks [12,27,25,21].

As depicted in Fig. 1, to apply STP approach to practical problems there is a bottleneck, that is, the computational complexity.

It is a common phenomenon that a large scale networked system may have nodes  $|N| \gg 1$ , but the degrees of nodes (in-degree and out-degree) are very small. Say, it was pointed by Kauffman [19] that a genetic regularity network may have over a thousand of nodes but the degrees are always less than 10. This fact makes an aggregation efficient in reducing the computational complexity.

## 2 Transition Systems

**Definition 1** [2] A tuple  $T = (X, U, \Sigma, O, h)$  is called a transition system, where

- (i)  $X$  is the set of states,
- (ii)  $U$  is the set of inputs (controls or actions),
- (iii)  $\Sigma : X \times U \rightarrow 2^X$  is a transition mapping,
- (iv)  $O$  is the observations,
- (v)  $h : X \rightarrow O$ : observation mapping.

If  $|\Sigma(x, u)| \leq 1$ ,  $T$  is said to be deterministic.

A conventional way to describe a transition system is using a transition graph. We use an example to explain this.

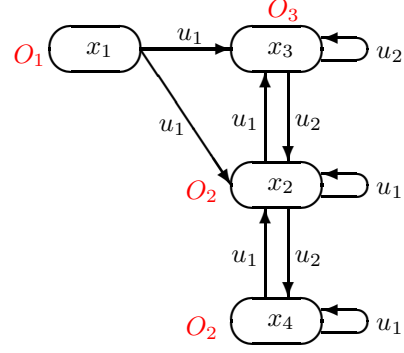


Fig. 2. Transition System in Example 2

**Example 2** Consider a transition system

$$T = (X, U, \Sigma, O, h),$$

where

- (i)  $X = \{x_1, x_2, x_3, x_4\}$ ,
- (ii)  $U = \{u_1, u_2\}$ ,
- (iii)

$$\begin{aligned} \Sigma(x_1, u_1) &= \{x_2, x_3\} & \Sigma(x_2, u_1) &= \{x_2, x_3\} \\ \Sigma(x_2, u_2) &= \{x_4\}, & \Sigma(x_3, u_2) &= \{x_2, x_3\} \\ \Sigma(x_4, u_1) &= \{x_2, x_4\}, & & \end{aligned}$$

- (iv)  $O = \{O_1, O_2, O_3\}$ ,
- (v)

$$h(x_1) = O_1, \quad h(x_2) = h(x_4) = O_2, \quad h(x_3) = O_3.$$

The system can be described by Figure 2).

We are only interested in finite transition system. Then similarly to multi-valued logic, a finite transition system has its algebraic state space representation (ASSR).

**Proposition 3** Consider a transition system  $T = (X, U, \Sigma, O, h)$ . Assume  $|X| = n$ ,  $|U| = m$ ,  $|O| = p$ . Using vector form expression  $X = \Delta_n$ ,  $U = \Delta_m$ ,  $O = \Delta_p$ , then the  $T$  has its ASSR as follows:

$$\begin{cases} x(t+1) = Lx(t)u(t), \\ y(t) = Hx(t), \end{cases} \quad (1)$$

where  $L \in \mathcal{B}_{n \times nm}$  is a Boolean matrix,  $H \in \mathcal{L}_{p \times n}$  is a logical matrix.

**Example 4** Recall Example 2. Set

$$\begin{aligned} x_i &= \delta_4^i, \quad i = 1, 2, 3, 4; \\ \sigma_j &= \delta_2^j, \quad j = 1, 2; \\ o_k &= \delta_3^k, \quad k = 1, 2, 3. \end{aligned}$$

Then  $T$  has its ASSR as

$$\begin{cases} x(t+1) = L\sigma(t)x(t), \\ y(t) = Hx(t), \end{cases} \quad (2)$$

where,

$$L = \begin{bmatrix} 0 & 0 & 0 & 0 & 0 & 0 & 0 & 0 \\ 1 & 1 & 0 & 1 & 0 & 0 & 1 & 0 \\ 1 & 1 & 0 & 0 & 0 & 0 & 1 & 0 \\ 0 & 0 & 0 & 1 & 0 & 1 & 0 & 0 \end{bmatrix}$$

$$H = \delta_3[1, 2, 3, 2].$$

### 3 Quotient Systems and Simulation

**Definition 5** [2] Consider a transition system  $T = (X, U, \Sigma, O, h)$ . Two states  $x_1, x_2 \in X$  are said to be observationally equivalent, denoted by  $x_1 \sim x_2$ , if

$$h(x_1) = h(x_2).$$

The set of equivalence classes is denoted by  $X/\sim$ .

Let  $Z \in X/\sim$  be an equivalent class,  $con(Z) \subset X$  is the set of  $x \in Z$ , that is,

$$con(Z) = \{x \mid x \in Z\} \subset X,$$

where  $con : X/\sim \rightarrow 2^X$  is called the concretization mapping.

**Definition 6** Consider a transition system  $T = (X, U, \Sigma, O, h)$ .  $T/\sim := (X/\sim, U, \Sigma_\sim, O, h_\sim)$  is called the quotient system of  $T$  under observability equivalence, where

- (i)  $X/\sim = \{x/\sim \mid x \in X\}$  is the set of (observability) equivalence classes.
- (ii)  $U$  (original) set of inputs.
- (iii)  $\Sigma_\sim : X/\sim \times U \rightarrow 2^{X/\sim}$  is defined as follows: Assume  $X_i, X_j \in X/\sim$ .  $X_j \in \Sigma_\sim(X_i, u)$ , if and only if, there exist  $x_i \in con(X_i)$ ,  $x_j \in con(X_j)$  such that

$$x_j \in \Sigma(x_i, u).$$

- (iv)  $O$  (original) set of observations.

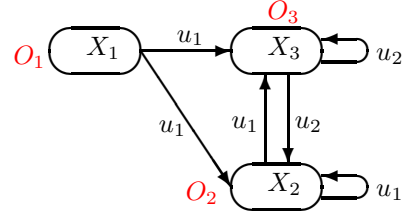


Fig. 3. Quotient system of Example 2 (i)

- (v)  $h_\sim : X/\sim \rightarrow O$  is defined as follows:

$$h_\sim(X_i) := h(x_i), \quad x_i \in con(X_i).$$

**Example 7(i)** Recall Example 2, where the transition system  $T$  is described by Figure 2). Under observability equivalence we have

$$con(X_1) = \{x_1\}, \quad con(X_2) = \{x_2, x_4\}, \quad con(X_3) = \{x_3\}.$$

Hence, the quotient system  $T/\sim$  is described by Figure 3.

The ASSR of quotient system  $T/\sim$  is easily obtained as

$$\begin{cases} X(t+1) = L_q\sigma(t)X(t), \\ o(t) = H_qX(t), \end{cases} \quad (3)$$

where,

$$L_q = \begin{bmatrix} 0 & 0 & 0 & 0 & 0 & 0 \\ 1 & 1 & 0 & 0 & 1 & 1 \\ 1 & 1 & 0 & 0 & 0 & 1 \end{bmatrix}$$

$$H_q = I_3.$$

- (ii) Consider a transition system  $T_2$  depicted by Figure 4).

The ASSR of  $T_2$  can be obtained by observing Figure 4 as

$$\begin{cases} x(t+1) = L\sigma(t)x(t), \\ o(t) = Hx(t), \end{cases} \quad (4)$$

where,

$$L = \delta_{14}[10, 2, 12, 12, 0, 9, 13, 14, 14, 11, 10/11, 0, 13, 13, 0, 3, 0, 0, 5/9, 0, 12, 12, 0, 12, 12, 11, 14, 14],$$

$$H = \delta_5[1, 1, 1, 2, 2, 2, 2, 2, 3, 3, 4, 5, 5].$$

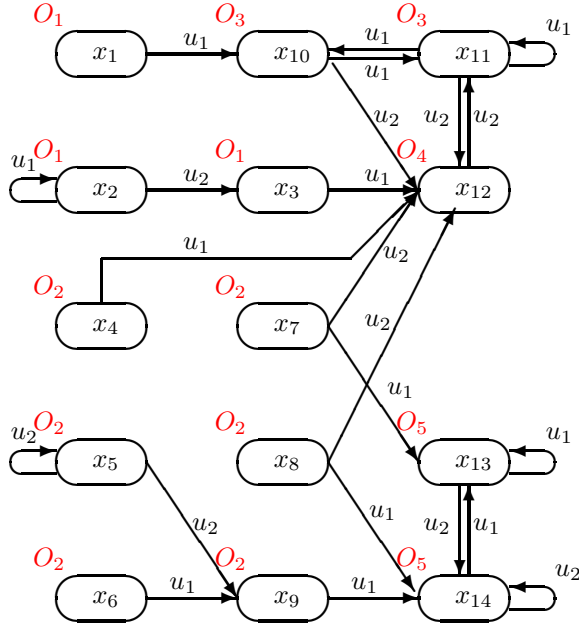


Fig. 4. Transition System  $T_2$  in Example 7 (ii)

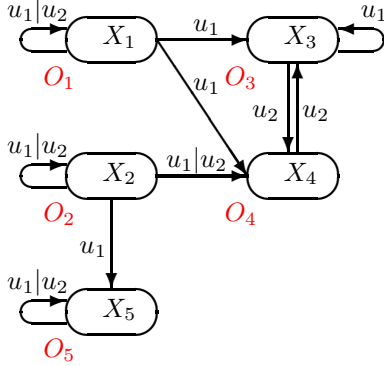


Fig. 5. Quotient System  $T_2/\sim$

Under observability equivalence the quotient system can be obtained as

$$\begin{aligned} \text{con}(X_1) &= \{x_1, x_2, x_3\}, \\ \text{con}(X_2) &= \{x_4, x_5, x_6, x_7, x_8, x_9\}, \\ \text{con}(X_3) &= \{x_{10}, x_{11}\}, \\ \text{con}(X_4) &= \{x_{12}\}, \\ \text{con}(X_5) &= \{x_{13}, x_{14}\}. \end{aligned}$$

Figure 5) shows the quotient system  $T_2/\sim$ .

Then the ASSR of  $T/\sim$  can be obtained as

$$\begin{cases} X(t+1) = L_q \sigma(t) X(t), \\ o(t) = H_q X(t), \end{cases} \quad (5)$$

where,

$$L_q = \begin{bmatrix} 1 & 0 & 0 & 0 & 0 & 1 & 0 & 0 & 0 & 0 \\ 0 & 1 & 0 & 0 & 0 & 0 & 1 & 0 & 0 & 0 \\ 1 & 0 & 1 & 0 & 0 & 0 & 0 & 0 & 1 & 0 \\ 1 & 1 & 0 & 0 & 0 & 0 & 1 & 1 & 0 & 0 \\ 0 & 1 & 0 & 0 & 1 & 0 & 0 & 0 & 0 & 1 \end{bmatrix}$$

$$H_q = I_5.$$

The ASSR representation of transition systems is very convenient in analysis and control design of transition systems. In the following we show how to get the ASSR of quotient systems.

**Theorem 8** Consider a transition system

$$\begin{cases} x(t+1) = Lu(t)x(t), \\ y(t) = Hx(t), \end{cases} \quad (6)$$

where  $x(t) \in \mathcal{B}^n$ ,  $y(t) \in \mathcal{B}^p$  are Boolean vectors,  $u(t) \in \Delta_m$  is the logical vector,  $L \in \mathcal{B}_{n \times mn}$  is a Boolean matrix,  $H \in \mathcal{L}_{p \times n}$  is a logical matrix.

Then the quotient system is

$$\begin{cases} X(t+1) = L_q u(t) X(t), \\ y(t) = H_q X(t), \end{cases} \quad (7)$$

where  $X_i \in X/\sim$  is the equivalence class of  $y_i$ ,  $i \in [1, q]$ ,

$$L_q = H \times_{\mathcal{B}} L \times_{\mathcal{B}} (I_m \otimes H^T), \quad (8)$$

where  $\times_{\mathcal{B}}$  is the Boolean product of matrices;

$$H_q = I_p. \quad (9)$$

*Proof.* Since  $X_i$  is the equivalence class of  $y_i$ , that is,  $x \in \text{con}(X_i) \Leftrightarrow y(x) = O_i$ , then formula (??) is obvious.

To prove (8), denote

$$L_q = [L_q^1, L_q^2, \dots, L_q^m],$$

where  $L_q^j = L_q \delta_m^j$ ,  $j \in [1, m]$ . Similarly,  $L$  is divided into

$$L = [L^1, L^2, \dots, L^m].$$

First, note that according to (7),  $L_q^j$  is the transition matrix of subsets  $(con(X_1), con(X_2), \dots, con(X_p))$  to subsets  $(con(X_1), con(X_2), \dots, con(X_p))$  when the control  $u = \delta_m^j$ .

Second, according to the structure it is clear that  $Row_j(H)$  is the index function of  $con(X_j)$ ,  $j \in [1, p]$ .

Recall the transition matrix of one set of subsets to another set of subsets (refer to Chapter 4 of Volume 2, or [?]), it is clear that when  $u = \delta_m^j$  the transition matrix of set of subsets  $(con(X_1), con(X_2), \dots, con(X_p))$  to set of subsets  $(con(X_1), con(X_2), \dots, con(X_p))$  is

$$H \times_{\mathcal{B}} L^j \times_{\mathcal{B}} H^T.$$

Hence we have

$$L_q^j = H \times_{\mathcal{B}} L^j \times_{\mathcal{B}} H^T, \quad j \in [1, m]. \quad (10)$$

Put  $m$  equations of (10) together yields (8).  $\square$

A transition system without control  $U$  is called an autonomous transition system.

**Corollary 9** *Assume  $T = (X, \Sigma, O, h)$  is an autonomous transition system with ASSR*

$$\begin{cases} x(t+1) = Mx(t), \\ y(t) = Hx(t). \end{cases} \quad (11)$$

Then the quotient system under output equivalence relation is

$$\begin{cases} X(t+1) = M_q X(t), \\ y(t) = H_q X(t), \end{cases} \quad (12)$$

where

$$\begin{aligned} M_q &= H \times_{\mathcal{B}} M \times_{\mathcal{B}} H^T, \\ H_q &= I_p. \end{aligned} \quad (13)$$

Denote the set of output trajectories of  $T$  by  $\mathbf{L}_T(x)$ . (If  $T$  is not determinant the trajectories are not unique.) If  $S_0 \subset X$ , then

$$\mathbf{L}_T(S_0) = \bigcup_{x \in S_0} \mathbf{L}_T(x).$$

Let  $T$  be a transition system and  $T/\sim$  is its quotient system. Then according to the definition it is clear that

$$\mathbf{L}_T(con(X_i)) \subset \mathbf{L}_{T/\sim}(X_i). \quad (14)$$

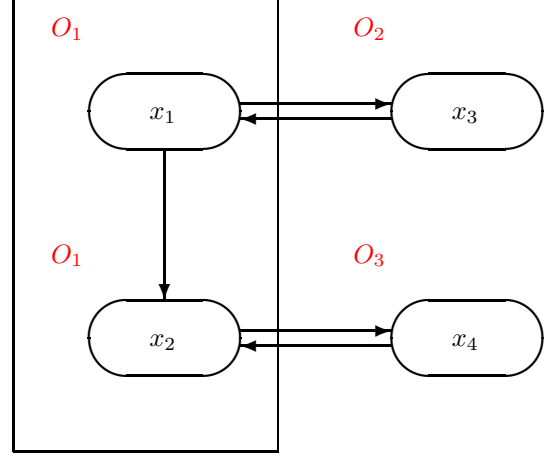


Fig. 6. Transition system of Example 10

That is, each output sequence can be produced by its quotient system. Because of this, the quotient system  $T/\sim$  is said to be a simulation of the original  $T$ .

The following simple example shows an output sequence of  $T/\sim$  may not be obtained from the original  $T$ .

**Example 10** *Observe a  $T$  depicted in Figure 6.*

It is clear that  $\Lambda_{T/\sim}(X_3) = O_3 O_1 O_2 \dots$  is an output trajectory, which is not an output trajectory of  $\Lambda_T(con(X_3))$ .

**Definition 11** [2] *Consider a transition system  $T = (X, U, \Sigma, O, h)$ . Assume  $x_1 \sim x_2$  are (output) equivalence, if for each control  $u \in U$  with  $x'_1 \in \Sigma(x_1, u)$  there exists an  $x'_2 \in \Sigma(x_2, u)$  such that  $x'_1 \sim x'_2$ , then  $x_1 \approx x_2$ . If for any  $x_1 \sim x_2$ , we have  $x_1 \approx x_2$ , then  $T/\sim$  is called a bi-simulation of  $T$ , denoted by  $T/\approx$ .*

According to Definition 11, bi-simulation means for all  $X_i \in T/\sim$  we have

$$\mathbf{L}_T(con(X_i)) = \mathbf{L}_{T/\approx}(X_i). \quad (15)$$

The following is an important property of bi-simulation:

**Proposition 12** [2] *Consider a transition system  $T = (X, U, \Sigma, O, h)$ .*

- (i) *If  $T/\sim$  is a deterministic system, then  $T/\sim = T/\approx$  is a bi-simulation.*
- (ii) *If  $T$  is a deterministic system, that  $T/\sim = T/\approx$  is a bi-simulation, if and only if,  $T/\sim$  is deterministic.*

## 4 Aggregation via Bi-simulation

**Definition 13(i)** A  $k$ -valued (autonomous) networked system can be described as

$$\begin{cases} x_1(t+1) = f_1(x_1(t), \dots, x_n(t)), \\ x_2(t+1) = f_2(x_1(t), \dots, x_n(t)), \\ \vdots \\ x_n(t+1) = f_n(x_1(t), \dots, x_n(t)), \end{cases} \quad (16)$$

where  $x_i(t) \in \mathcal{D}_k$ ,  $i \in [1, n]$  are states,  $f_i : \mathcal{D}_k^n \rightarrow \mathcal{D}_k$ ,  $i \in [1, n]$  are state transition functions.

(ii) A  $k$  valued networked control system can be described as

$$\begin{cases} x_1(t+1) = f_1(x_1(t), \dots, x_n(t), u_1(t), \dots, u_m(t)), \\ x_2(t+1) = f_2(x_1(t), \dots, x_n(t), u_1(t), \dots, u_m(t)), \\ \vdots \\ x_n(t+1) = f_n(x_1(t), \dots, x_n(t), u_1(t), \dots, u_m(t)), \\ y_j(t) = h_j(x_1(t), \dots, x_n(t)), \quad j \in [1, p], \end{cases} \quad (17)$$

where  $x_i(t) \in \mathcal{D}_k$ ,  $i \in [1, n]$  are states,  $u_s(t) \in \mathcal{D}_k$ ,  $s \in [1, m]$  are inputs (or controls),  $y_j(t) \in \mathcal{D}_k$ ,  $j \in [1, p]$  are outputs (or observations),  $f_i : \mathcal{D}_k^n \times \mathcal{D}_k^m \rightarrow \mathcal{D}_k$ ,  $i \in [1, n]$  are state updating functions,  $h_j : \mathcal{D}_k^n \rightarrow \mathcal{D}_k$ ,  $j \in [1, p]$  are output functions.

Consider networked system (16), usually only part of  $\{x_i \mid i \in [1, n]\}$  appear into  $f_i$ . That is,

$$f_i = f_i(x_{r_1}, x_{r_2}, \dots, x_{r_{n_i}}), \quad i \in [1, n].$$

Similarly, for system (17),

$$f_i = f_i(x_{r_1}, x_{r_2}, \dots, x_{r_{n_i}}, u_{s_1}, u_{s_2}, \dots, u_{s_{m_i}}), \quad i \in [1, n],$$

$$h_j = h_j(x_{\ell_1}, x_{\ell_2}, \dots, x_{\ell_{p_j}}), \quad j \in [1, p].$$

**Definition 14(i)** A directed graph  $(N, E)$  is called a network graph of (16), if

$$N = \{x_1, x_2, \dots, x_n\}$$

$$(x_\alpha, x_\beta) \in E \Leftrightarrow x_\alpha \in f_\beta.$$

(ii) A directed graph  $(N, E)$  is called a network graph of (17), if

$$N = \{x_1, x_2, \dots, x_n, u_1, u_2, \dots, u_m, o_1, o_2, \dots, o_p\}$$

$$\begin{cases} (x_\alpha, x_\beta) \in E \Leftrightarrow x_\alpha \in f_\beta, \\ (u_\alpha, x_\beta) \in E \Leftrightarrow u_\alpha \in f_\beta, \\ (x_\alpha, o_\beta) \in E \Leftrightarrow x_\alpha \in h_\beta. \end{cases}$$

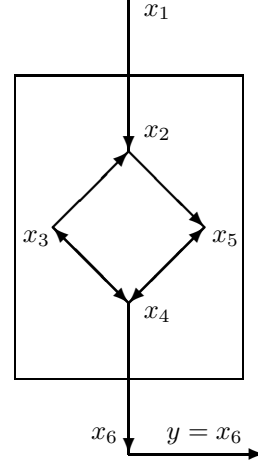


Fig. 7. Boolean network (18)

**Example 15** Consider a Boolean network, which has its network equation as

$$\begin{cases} x_1(t+1) = \neg x_1(t), \\ x_2(t+1) = x_1(t) \wedge x_3(t), \\ x_3(t+1) = x_3(t) \vee x_4(t), \\ x_4(t+1) = x_3(t) \rightarrow x_5(t), \\ x_5(t+1) = x_2(t) \nabla x_4(t), \\ x_6(t+1) = x_4(t) \leftrightarrow x_6(t), \\ y(t) = x_6(t). \end{cases} \quad (18)$$

Then its network graph is depicted by Figure 7.

**Definition 16** Consider an autonomous network  $\Sigma$  with its network graph  $(N, E)$ , where  $N = \{x_1, x_2, \dots, x_n\}$ . Let  $A = \{x_{a_1}, \dots, x_{a_{n_A}}\} \subset N$ , where  $\{a_1, a_2, \dots, a_{n_A}\} \subset [1, n]$ .

- (i) If  $(x_i, x_j) \in E$ ,  $x_i \in A^c$ ,  $x_j \in A$ ,  $x_i$  is called a block input of  $A$ .
- (ii) If  $(x_i, x_j) \in E$ ,  $x_i \in A$ ,  $x_j \in A^c$ ,  $x_i$  is called a formal output of  $A$ .

$A$  is called an aggregate-able block if there does not exist  $(x_i, x_j) \in E$  such that  $x_i$  is a formal input and  $x_j$  is a formal output.

**Proposition 17** Assume  $A \subset N$  is an aggregate-able block with  $\{x_{i_1}, \dots, x_{i_\alpha}\}$  as its block inputs, and  $\{x_{j_1}, \dots, x_{j_\beta}\}$  as its block outputs. Then the dynamic subnetwork of  $A$  can be expressed as a controlled network

$\Sigma_A$  with block control

$$v_\ell := x_{i_\ell}, \quad \ell \in [1, \alpha],$$

and block output

$$y_\ell := x_{j_\ell}, \quad \ell \in [1, \beta].$$

Replacing block  $A$  in  $\Sigma$  by this block control system  $\Sigma_A$  does not affect the dynamics of the rest part of  $\Sigma$ .

*Proof.* From the construction it is clear that this replacement does not change anything for  $N \setminus A$  except changing some variable names.  $\square$

**Example 18** Recall Example 15. It is easy to calculate that the ASSR of (18) is

$$x(t+1) = Mx(t), \quad (19)$$

where  $x(t) = \times_{i=1}^6 x_i(t)$ ,

$$M = \delta_{64} [ 35, 36, 39, 40, 34, 33, 38, 37, \\ 51, 52, 51, 52, 58, 57, 58, 57, \\ 33, 34, 37, 38, 36, 35, 40, 39, \\ 49, 50, 49, 50, 60, 59, 60, 59, \\ 19, 20, 23, 24, 18, 17, 22, 21, \\ 19, 20, 19, 20, 26, 25, 26, 25, \\ 17, 18, 21, 22, 20, 19, 24, 23, \\ 17, 18, 17, 18, 28, 27, 28, 27 ].$$

Next, we consider  $A = \{x_2, x_3, x_4, x_5\} \subset N$ . It is easy to verify that  $A$  is an aggregate-able set with block input  $v = x_1$  and block output  $o = x_4$ . Then  $\Sigma_A$  can be expressed as

$$\begin{cases} z(t+1) = L_A v(t) z(t), \\ y(t) = H z(t), \end{cases} \quad (20)$$

where  $\{z_1(t), z_2(t), z_3(t), z_4(t)\} = \{x_2(t), x_3(t), x_4(t), x_5(t)\}$ ,  $z(t) = \times_{i=2}^5 x_i(t) = \times_{i=1}^4 z_i(t)$ ,  $v(t) = x_1(t)$ ,  $y(t) = z_3(t) = x_4(t)$ ,

$$L_A = \delta_{16} [ 2, 4, 1, 3, 10, 10, 13, 13, \\ 1, 3, 2, 4, 9, 9, 14, 14, \\ 10, 12, 9, 11, 10, 10, 13, 13, \\ 9, 11, 10, 12, 9, 9, 14, 14 ].$$

$$H = \delta_2 [1, 1, 2, 2, 1, 1, 2, 2, 1, 1, 2, 2, 1, 1, 2, 2].$$

**Definition 19** Consider a networked system  $\Sigma$  with its network graph  $(N, E)$ . Assume  $A \subset N$  is an aggregate-able subset, and the aggregated (block control) system is  $\Sigma_A$ .  $A$  is said to be aggregated by its simulation, if  $\Sigma_A$  is replaced by its quotient system  $\Sigma_A / \sim$ .

**Example 20** Recall Example 15 (or, Example 18). According to Theorem 8 and Using the results in Example (18), the  $\Sigma_A / \sim$  is

$$\begin{cases} w(t+1) = Lv(t)w(t), \\ y(t) = w(t), \end{cases} \quad (21)$$

where  $v(t) = x_1(t)$ ,  $w(t) = y(t) = x_4(t)$ ,

$$L = H \times_B L_A \times_B (I_2 \otimes H^T) \\ = \begin{bmatrix} 1 & 1 & 1 & 1 \\ 1 & 1 & 1 & 1 \end{bmatrix}$$

**Remark 21(i)** From Example 20 one sees that when a block of a networked system is aggregated by simulation its size is reduced. Unfortunately, the resulting overall system is only a transition system, which may not be determinant.

- (ii) The aggregation by simulation proposed for networked system is also applicable to networked control system with an obvious extension. Precisely, it can be done for each original control  $u_s = \delta_m^s$  separately.
- (iii) For a simulation aggregation of  $A \subset N$ , if  $\Sigma_A / \sim = \Sigma_A / \approx$ , the aggregation is called a bi-simulation.

**Proposition 22** Assume  $\Sigma$  is a networked system  $\sigma$  with its network graph  $(N, E)$ ,  $A \subset N$  is an aggregate-able subset,  $\Sigma_A / \sim = \Sigma_A / \approx$  is a bi-simulation, then the aggregation does not affect the dynamics of the overall system.

*Proof.* When  $\Sigma_A / \sim$  is a bisimulation of  $\Sigma_A$ , according to Proposition 12,  $\Sigma_A / \sim$  is deterministic; therefore, the values of input nodes and output nodes characterize the states of  $\Sigma_A$  at each time and uniquely determines the input and output at next moment, hence the inner structure of the subnetwork can be neglected.  $\square$

**Example 23** Consider a Boolean control network  $\Sigma$  whose network graph is depicted by Figure 8.

Assume the set of nodes of  $\Sigma$  is  $N$  and  $A \subset N$ , where

$$A = \{x_{i+1}, x_{i+1}, \dots, x_{i+\mu}\}, \quad \mu > 1.$$

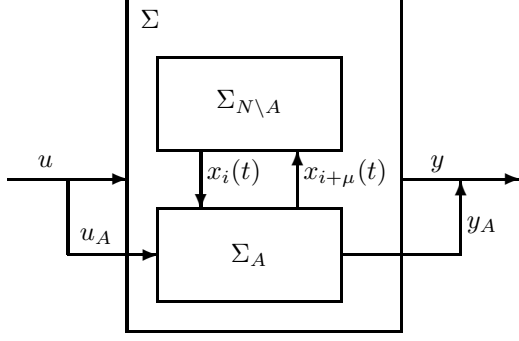


Fig. 8. A Boolean control network  $\Sigma$

The dynamic equations of  $A$ , denoted by  $\Sigma_A$ , are

$$\begin{cases} x_{i+1}(t+1) &= [(x_i(t) \bar{\vee} x_{i+1}(t)) \wedge u(t)] \\ &\vee [(x_i(t) \leftrightarrow x_{i+1}(t)) \wedge \neg u(t)], \\ x_{i+2}(t+1) &= [(x_{i+1}(t) \bar{\vee} x_{i+2}(t)) \wedge u(t)] \\ &\vee [(x_{i+1}(t) \leftrightarrow x_{i+2}(t)) \wedge \neg u(t)], \\ \vdots & \\ x_{i+\mu}(t+1) &= [(x_{i+\mu-1}(t) \bar{\vee} x_{i+\mu}(t)) \wedge u(t)] \\ &\vee [(x_{i+\mu-1}(t) \leftrightarrow x_{i+\mu}(t)) \wedge \neg u(t)]. \end{cases}$$

$$y(t) = x_{i+\mu}(t).$$

(22)

Using Theorem 8, the quotient system  $\Sigma_A / \sim$  is calculated as

$$y(t+1) = \delta_2[2, 1, 1, 2, 1, 2, 2, 1]u(t)v(t)y(t), \quad (23)$$

where  $y(t) = x_{i+\mu}(t)$ ,  $v(t) = x_i(t)$ . According to Proposition 12,  $\Sigma_A / \sim = \Sigma_A / \approx$  is a bi-simulation. According to

Proposition 22, (22) can be replaced by (23), which does not affect the input-output mapping of the overall system  $\Sigma$ .

## 5 Aggregated Simulation

Consider a  $k$ -valued network  $\Sigma$  with its network graph  $(N, E)$ . Assume a set of sub-nodes  $A \subset N$  is an aggregate-able and output decoupled block depicted in Fig. 9.

Moreover, assume the dynamic equations of  $A$  with block inputs  $v_1, \dots, v_\alpha \in N \setminus A$  and block outputs  $y_1, \dots, y_\beta \in A$  is

$$\begin{cases} z(t+1) = L_A u(t)v(t)z(t), \\ y(t) = H_A z(t). \end{cases} \quad (24)$$

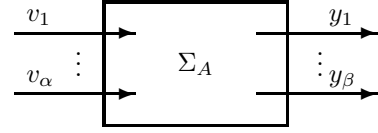


Fig. 9. An Aggregated Block

Then its quotient system under output equivalence, denoted by  $\Sigma_A / \sim$ , is

$$y(t+1) = \tilde{L}_A u(t)v(t)y(t), \quad (25)$$

where  $\tilde{L}_A = H_A \times_{\mathcal{B}} L_A \times (I_{k^{m+\alpha}} \otimes H_A^T) \in \mathcal{B}_{k^\beta \times k^{m+\alpha+\beta}} := \mathcal{B}_{\xi \times \eta}$ , where

$$\xi := k^\beta, \quad \eta := k^{m+\alpha+\beta}.$$

If  $\tilde{L}_A$  is a logical matrix, which means  $\Sigma_A / \sim = \Sigma_A / \approx$  is deterministic, then the bisimulation is applicable. That is, the block  $A$  can be replaced by  $\Sigma_A / \sim$ , which does not affect the input-output relationship of the overall network  $\Sigma$ . In the following assume  $\Sigma_A$  is not deterministic.

In the following we propose a method called the aggregation by simulation, which is an approximation by probabilistic networks.

**Definition 24** Given a  $k$ -valued network  $\Sigma$  with network graph  $(N, E)$ . A subset  $A \subset N$  is an aggregate-able and output decoupled block, which is described as above. The aggregation by simulation is defined as follows:

- Step 1. Construct the quotient system  $\Sigma_A / \sim$ .
- Step 2. Using  $\Sigma_A / \sim$  to build a probabilistic network  $\Sigma_A^P$  as follows: Set

$$M_A := H_A L_A (I_{k^{m+\alpha}} \otimes H_A^T) = (m_{i,j}) \in \mathcal{M}_{\xi \times \eta}.$$

Denote

$$m_j := \sum_{i=1}^{\xi} m_{i,j}, \quad j \in [1, \eta].$$

Define a probabilistic system, denoted by  $\Sigma_A^P$  as follows:

$$y(t+1) = M^{i_1, i_2, \dots, i_\eta} u(t)v(t)y(t), \quad i_j \in [1, \xi], j \in [1, \eta],$$

where

$$M^{i_1, i_2, \dots, i_\eta} = \delta_\xi [i_1, i_2, \dots, i_\eta],$$

with probability

$$p_{i_1, i_2, \dots, i_\eta} = \frac{\prod_{j=1}^{\eta} m_{i_j, j}}{\prod_{j=1}^{\eta} m_j}.$$

- Step 3. Replace  $\Sigma_A$  by  $\Sigma_A^P$ .



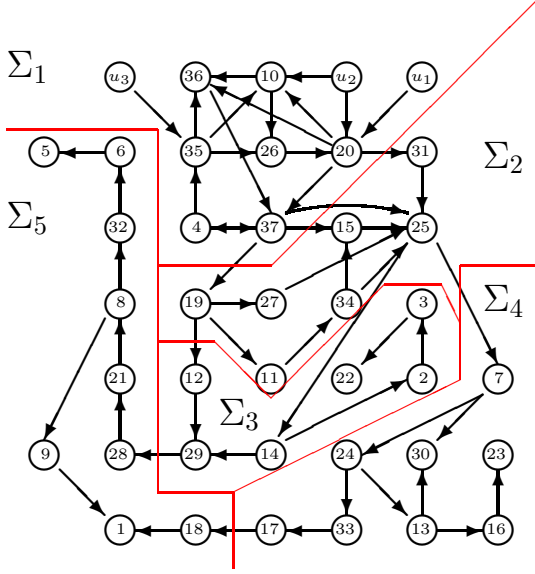


Fig. 10. T-cell receptor kinetics

**Example 25** Recall Example 15 (or, Examples 18 and 20). Using Definition 24, the system  $\Sigma_A^P / \sim$  can be calculated as follows:

$$\begin{aligned} M_A &= HL_A(I_2 \otimes H^T) \\ &= \begin{bmatrix} 6 & 6 & 6 & 6 \\ 2 & 2 & 2 & 2 \end{bmatrix}. \end{aligned} \quad (26)$$

Then the simulation-aggregation is using the following probabilistic network to replace  $A$ :

$$z(t+1) = L_A^P v(t) z(t), \quad (27)$$

where

$$L_A^P = \begin{bmatrix} 2/3 & 2/3 & 2/3 & 2/3 \\ 1/3 & 1/3 & 1/3 & 1/3 \end{bmatrix}.$$

## 6 Aggregated Simulation of a Biological System

This section considers an example of T-cell receptor kinetics which was originally modeled in [20]. The following model is copied from [36] and ignoring nodes' physical meanings.

The dynamics of network of T-cell receptor kinetics with 37 nodes and 3 controls, depicted in Fig. 10, is described in (28).

$$\begin{aligned} x_1(*) &= x_9 \wedge x_{18}, & x_2(*) &= x_{14}, \\ x_3(*) &= x_2, & x_4(*) &= x_{37}, \\ x_5(*) &= x_6, & x_6(*) &= x_{32}, \\ x_7(*) &= x_{25}, & x_8(*) &= x_{21}, \\ x_9(*) &= x_8, & x_{10}(*) &= (x_{20} \wedge u_2) \\ & & & \vee (x_{35} \wedge u_2), \\ x_{11}(*) &= x_{19}, & x_{13}(*) &= x_{24}, \\ x_{12}(*) &= x_{19}, & x_{15}(*) &= x_{34} \wedge x_{37}, \\ x_{14}(*) &= x_{25}, & x_{17}(*) &= x_{33}, \\ x_{16}(*) &= \overline{x_{13}}, & x_{19}(*) &= x_{37}, \\ x_{18}(*) &= x_{17}, & x_{20}(*) &= \overline{x_{26}} \wedge u_1 \wedge u_2, \\ x_{21}(*) &= x_{28}, \\ x_{22}(*) &= x_3, & x_{23}(*) &= \overline{x_{16}}, \\ x_{24}(*) &= x_7, & x_{25}(*) &= (x_{15} \wedge x_{27} \\ & & & \wedge x_{34} \wedge x_{37}), \\ x_{26}(*) &= x_{10} \vee \overline{x_{35}}, & & \vee (x_{27} \wedge x_{31} \wedge x_{34} \wedge x_{37}), \\ x_{27}(*) &= x_{19}, & x_{29}(*) &= x_{12} \vee x_{14}, \\ x_{28}(*) &= x_{29}, & x_{31}(*) &= x_{20}, \\ x_{30}(*) &= x_7 \wedge x_{13}, & x_{33}(*) &= x_{24}, \\ x_{32}(*) &= x_8, & x_{35}(*) &= \overline{x_4} \wedge u_3, \\ x_{34}(*) &= x_{11}, & x_{37}(*) &= \overline{x_4} \\ & & & \vee (x_{20} \wedge x_{36}). \end{aligned} \quad (28)$$

It is natural to consider the nodes with zero out-degree as observers. Hence we have

$$\begin{aligned} y_1 &= x_1, \\ y_2 &= x_5, \\ y_3 &= x_{22}, \\ y_4 &= x_{23}, \\ y_5 &= x_{30}. \end{aligned} \quad (29)$$

As depicted in Fig. 10, the network is divided into 5 blocks. In the following we use simulation to aggregate them.

- Consider  $\Sigma_1$ . Rename the variables as follows:

$$\begin{aligned} z_1 &= x_4, & z_2 &= x_{10}, & z_3 &= x_{20}, \\ z_4 &= x_{26}, & z_5 &= x_{35}, & z_6 &= x_{36}, \\ z_7 &= x_{37}; & q_1 &= x_{20}, & q_2 &= x_{37}, \end{aligned}$$

where  $q_1, q_2$  are block outputs.

Then the block dynamics can be expressed as

$$\begin{cases} z(t+1) = L_1 u(t) z(t), \\ q(t) = H_1 z(t), \end{cases} \quad (30)$$

where

$$L_1 = \delta_{128}[22, 86, 22, \dots, 120, 56, 120] \in \mathcal{L}_{128 \times 1024},$$

$$H_1 = \delta_4[1, 2, 1, \dots, 4, 3, 4] \in \mathcal{L}_{4 \times 128}.$$

Since

$$H_1 L_1 (I_8 \otimes H_1^T) := T^1 = \begin{bmatrix} T_1^1 & T_2^1 \end{bmatrix},$$

where

$$T_1^1 = \begin{bmatrix} 4 & 4 & 0 & 0 & 4 & 4 & 0 & 0 & 0 & 0 & 0 & 0 & 0 & 0 & 0 & 0 \\ 12 & 12 & 16 & 16 & 12 & 12 & 16 & 16 & 0 & 0 & 0 & 0 & 0 & 0 & 0 & 0 \\ 4 & 4 & 0 & 0 & 4 & 4 & 0 & 0 & 8 & 8 & 0 & 0 & 8 & 8 & 0 & 0 \\ 12 & 12 & 16 & 16 & 12 & 12 & 16 & 16 & 24 & 24 & 32 & 32 & 24 & 24 & 32 & 32 \end{bmatrix};$$

$$T_2^1 = \begin{bmatrix} 0 & 0 & 0 & 0 & 0 & 0 & 0 & 0 & 0 & 0 & 0 & 0 & 0 & 0 & 0 & 0 \\ 0 & 0 & 0 & 0 & 0 & 0 & 0 & 0 & 0 & 0 & 0 & 0 & 0 & 0 & 0 & 0 \\ 8 & 8 & 0 & 0 & 8 & 8 & 0 & 0 & 8 & 8 & 0 & 0 & 8 & 8 & 0 & 0 \\ 24 & 24 & 32 & 32 & 24 & 24 & 32 & 32 & 24 & 24 & 32 & 32 & 24 & 24 & 32 & 32 \end{bmatrix}.$$

Then the quotient system of (30) is obtained by updating  $T^1$  by

$$T_1^1 = \begin{bmatrix} 1 & 1 & 0 & 0 & 1 & 1 & 0 & 0 & 0 & 0 & 0 & 0 & 0 & 0 & 0 & 0 \\ 1 & 1 & 1 & 1 & 1 & 1 & 1 & 1 & 0 & 0 & 0 & 0 & 0 & 0 & 0 & 0 \\ 1 & 1 & 0 & 0 & 1 & 1 & 0 & 0 & 1 & 1 & 0 & 0 & 1 & 1 & 0 & 0 \\ 1 & 1 & 1 & 1 & 1 & 1 & 1 & 1 & 1 & 1 & 1 & 1 & 1 & 1 & 1 & 1 \end{bmatrix};$$

$$T_2^1 = \begin{bmatrix} 0 & 0 & 0 & 0 & 0 & 0 & 0 & 0 & 0 & 0 & 0 & 0 & 0 & 0 & 0 & 0 \\ 0 & 0 & 0 & 0 & 0 & 0 & 0 & 0 & 0 & 0 & 0 & 0 & 0 & 0 & 0 & 0 \\ 1 & 1 & 0 & 0 & 1 & 1 & 0 & 0 & 1 & 1 & 0 & 0 & 1 & 1 & 0 & 0 \\ 1 & 1 & 1 & 1 & 1 & 1 & 1 & 1 & 1 & 1 & 1 & 1 & 1 & 1 & 1 & 1 \end{bmatrix}.$$

The probabilistic approximation of (30) is obtained by updating  $T^1$  by

$$T_1^1 = \begin{bmatrix} 1/8 & 1/8 & 0 & 0 & 1/8 & 1/8 & 0 & 0 & 0 & 0 & 0 & 0 & 0 & 0 & 0 & 0 \\ 3/8 & 3/8 & 1/2 & 1/2 & 3/8 & 3/8 & 1/2 & 1/2 & 0 & 0 & 0 & 0 & 0 & 0 & 0 & 0 \\ 1/8 & 1/8 & 0 & 0 & 1/8 & 1/8 & 0 & 0 & 1/4 & 1/4 & 0 & 0 & 1/4 & 1/4 & 0 & 0 \\ 3/8 & 3/8 & 1/2 & 1/2 & 3/8 & 3/8 & 1/2 & 1/2 & 3/4 & 3/4 & 1 & 1 & 3/4 & 3/4 & 1 & 1 \end{bmatrix};$$

$$T_2^1 = \begin{bmatrix} 0 & 0 & 0 & 0 & 0 & 0 & 0 & 0 & 0 & 0 & 0 & 0 & 0 & 0 & 0 & 0 \\ 0 & 0 & 0 & 0 & 0 & 0 & 0 & 0 & 0 & 0 & 0 & 0 & 0 & 0 & 0 & 0 \\ 1/4 & 1/4 & 0 & 0 & 1/4 & 1/4 & 0 & 0 & 1/4 & 1/4 & 0 & 0 & 1/4 & 1/4 & 0 & 0 \\ 3/4 & 3/4 & 1 & 1 & 3/4 & 3/4 & 1 & 1 & 3/4 & 3/4 & 1 & 1 & 3/4 & 3/4 & 1 & 1 \end{bmatrix}.$$

• Consider  $\Sigma_2$ . Rename the variables as follows:

$$z_1 = x_{11}, z_2 = x_{15}, z_3 = x_{19},$$

$$z_4 = x_{25}, z_5 = x_{27}, z_6 = x_{31},$$

$$z_7 = x_{34}; v_1 = x_{20}, v_2 = x_{37};$$

$$q_1 = x_{19}, q_2 = x_{25}.$$

where  $v_1, v_2$  are block inputs,  $q_1, q_2$  are block outputs.

Then the block dynamics can be expressed as

$$\begin{cases} z(t+1) = L_2 v(t) z(t), \\ q(t) = H_2 z(t), \end{cases} \quad (31)$$

where

$$L_2 = \delta_{128}[1, 41, 1, \dots, 128, 128, 128] \in \mathcal{L}_{128 \times 512},$$

$$H_2 = \delta_4[1, 1, 1, \dots, 4, 4, 4] \in \mathcal{L}_{4 \times 128}.$$

Since

$$H_2 L_2 (I_4 \otimes H_2^T) := T^2$$

where

$$T^2 = \begin{bmatrix} 4 & 4 & 4 & 4 & 0 & 0 & 0 & 0 & 4 & 4 & 4 & 4 & 0 & 0 & 0 & 0 \\ 28 & 28 & 28 & 28 & 0 & 0 & 0 & 0 & 28 & 28 & 28 & 28 & 0 & 0 & 0 & 0 \\ 0 & 0 & 0 & 0 & 0 & 0 & 0 & 0 & 0 & 0 & 0 & 0 & 0 & 0 & 0 & 0 \\ 0 & 0 & 0 & 0 & 32 & 32 & 32 & 32 & 0 & 0 & 0 & 0 & 32 & 32 & 32 & 32 \end{bmatrix}.$$

Then the quotient system of (31) is obtained by updating  $T^2$  by

$$T^2 = \begin{bmatrix} 1 & 1 & 1 & 1 & 0 & 0 & 0 & 0 & 1 & 1 & 1 & 1 & 0 & 0 & 0 & 0 \\ 1 & 1 & 1 & 1 & 0 & 0 & 0 & 0 & 1 & 1 & 1 & 1 & 0 & 0 & 0 & 0 \\ 0 & 0 & 0 & 0 & 0 & 0 & 0 & 0 & 0 & 0 & 0 & 0 & 0 & 0 & 0 & 0 \\ 0 & 0 & 0 & 0 & 1 & 1 & 1 & 1 & 0 & 0 & 0 & 0 & 1 & 1 & 1 & 1 \end{bmatrix}.$$

The probabilistic approximation of (31) is obtained by updating  $T^2$  by

$$T^2 = \begin{bmatrix} 1/8 & 1/8 & 1/8 & 1/8 & 0 & 0 & 0 & 0 & 1/8 & 1/8 & 1/8 & 1/8 & 0 & 0 & 0 & 0 \\ 7/8 & 7/8 & 7/8 & 7/8 & 0 & 0 & 0 & 0 & 7/8 & 7/8 & 7/8 & 7/8 & 0 & 0 & 0 & 0 \\ 0 & 0 & 0 & 0 & 0 & 0 & 0 & 0 & 0 & 0 & 0 & 0 & 0 & 0 & 0 & 0 \\ 0 & 0 & 0 & 0 & 1 & 1 & 1 & 1 & 0 & 0 & 0 & 0 & 1 & 1 & 1 & 1 \end{bmatrix}.$$

• Consider  $\Sigma_3$ . Rename the variables as follows:

$$z_1 = x_2, \quad z_2 = x_3, \quad z_3 = x_{12},$$

$$z_4 = x_{14}, \quad z_5 = x_{22}, \quad z_6 = x_{29},$$

$$v_1 = x_{19}, \quad v_2 = x_{25};$$

$$q_1 = y_3 = x_{22}, \quad q_2 = x_{29}.$$

where  $v_1, v_2$  are block inputs,  $q_1 = y_3$  is overall system output,  $q_2$  is block output.

Then the block dynamics can be expressed as

$$\begin{cases} z(t+1) = L_3 v(t) z(t), \\ q(t) = H_3 z(t), \end{cases} \quad (32)$$

where

$$L_3 = \delta_{64}[1, 1, 1, \dots, 64, 64, 64] \in \mathcal{L}_{64 \times 256},$$

$$H_3 = \delta_4[1, 2, 3, \dots, 2, 3, 4] \in \mathcal{L}_{4 \times 64}.$$

Since

$$H_3 L_3 (I_4 \otimes H_3^T) := T^3$$

where

$$T^3 = \begin{bmatrix} 6 & 6 & 6 & 6 & 6 & 6 & 6 & 6 & 6 & 6 & 6 & 6 & 6 & 6 & 6 & 6 \\ 2 & 2 & 2 & 2 & 2 & 2 & 2 & 2 & 2 & 2 & 2 & 2 & 2 & 2 & 2 & 2 \\ 6 & 6 & 6 & 6 & 6 & 6 & 6 & 6 & 6 & 6 & 6 & 6 & 6 & 6 & 6 & 6 \\ 2 & 2 & 2 & 2 & 2 & 2 & 2 & 2 & 2 & 2 & 2 & 2 & 2 & 2 & 2 & 2 \end{bmatrix}.$$

Then the quotient system of (32) is obtained by updating  $T^3$  by

$$T^3 = \begin{bmatrix} 1 & 1 & 1 & 1 & 1 & 1 & 1 & 1 & 1 & 1 & 1 & 1 & 1 & 1 & 1 & 1 \\ 1 & 1 & 1 & 1 & 1 & 1 & 1 & 1 & 1 & 1 & 1 & 1 & 1 & 1 & 1 & 1 \\ 1 & 1 & 1 & 1 & 1 & 1 & 1 & 1 & 1 & 1 & 1 & 1 & 1 & 1 & 1 & 1 \\ 1 & 1 & 1 & 1 & 1 & 1 & 1 & 1 & 1 & 1 & 1 & 1 & 1 & 1 & 1 & 1 \end{bmatrix}.$$

The probabilistic approximation of (32) is obtained by updating  $T^3$  by

$$T^3 = \begin{bmatrix} 3/8 & 3/8 & 3/8 & 3/8 & 3/8 & 3/8 & 3/8 & 3/8 & 3/8 & 3/8 & 3/8 & 3/8 & 3/8 & 3/8 & 3/8 & 3/8 \\ 1/8 & 1/8 & 1/8 & 1/8 & 1/8 & 1/8 & 1/8 & 1/8 & 1/8 & 1/8 & 1/8 & 1/8 & 1/8 & 1/8 & 1/8 & 1/8 \\ 3/8 & 3/8 & 3/8 & 3/8 & 3/8 & 3/8 & 3/8 & 3/8 & 3/8 & 3/8 & 3/8 & 3/8 & 3/8 & 3/8 & 3/8 & 3/8 \\ 1/8 & 1/8 & 1/8 & 1/8 & 1/8 & 1/8 & 1/8 & 1/8 & 1/8 & 1/8 & 1/8 & 1/8 & 1/8 & 1/8 & 1/8 & 1/8 \end{bmatrix}.$$

- Consider  $\Sigma_4$ . Rename the variables as follows:

$$\begin{aligned} z_1 &= x_7, & z_2 &= x_{13}, & z_3 &= x_{16}, \\ z_4 &= x_{17}, & z_5 &= x_{23}, & z_6 &= x_{24}, \\ z_7 &= x_{30}, & z_8 &= x_{33}; & v_1 &= x_{25}; \\ q_1 &= y_4 = x_{23}, & q_2 &= y_5 = x_{30}, & q_3 &= x_{17}. \end{aligned}$$

where  $v_1$  is a block input,  $q_1 = y_4$ ,  $q_2 = y_5$  are overall system outputs,  $q_3$  is a block output.

Then the block dynamics can be expressed as

$$\begin{cases} z(t+1) = L_4 v(t) z(t), \\ q(t) = H_4 z(t), \end{cases} \quad (33)$$

where

$$L_4 = \delta_{256}[41, 57, 41, \dots, 216, 200, 216] \in \mathcal{L}_{256 \times 512},$$

$$H_4 = \delta_8[1, 1, 5, \dots, 4, 8, 8] \in \mathcal{L}_{8 \times 256}.$$

It is calculated that

$$H_4 L_4 (I_2 \otimes H_4^T) := T^4$$

where

$$T^4 = \begin{bmatrix} 2 & 2 & 2 & 2 & 2 & 2 & 2 & 2 & 2 & 2 & 2 & 2 & 2 & 2 & 2 & 2 \\ 2 & 2 & 2 & 2 & 2 & 2 & 2 & 2 & 2 & 2 & 2 & 2 & 2 & 2 & 2 & 2 \\ 2 & 2 & 2 & 2 & 2 & 2 & 2 & 2 & 2 & 2 & 2 & 2 & 2 & 2 & 2 & 2 \\ 2 & 2 & 2 & 2 & 2 & 2 & 2 & 2 & 2 & 2 & 2 & 2 & 2 & 2 & 2 & 2 \\ 6 & 6 & 6 & 6 & 6 & 6 & 6 & 6 & 6 & 6 & 6 & 6 & 6 & 6 & 6 & 6 \\ 6 & 6 & 6 & 6 & 6 & 6 & 6 & 6 & 6 & 6 & 6 & 6 & 6 & 6 & 6 & 6 \\ 6 & 6 & 6 & 6 & 6 & 6 & 6 & 6 & 6 & 6 & 6 & 6 & 6 & 6 & 6 & 6 \\ 6 & 6 & 6 & 6 & 6 & 6 & 6 & 6 & 6 & 6 & 6 & 6 & 6 & 6 & 6 & 6 \end{bmatrix}.$$

Then the quotient system of (33) is obtained by updating  $T^4$  by

$$T^4 = \begin{bmatrix} 1 & 1 & 1 & 1 & 1 & 1 & 1 & 1 & 1 & 1 & 1 & 1 & 1 & 1 & 1 & 1 \\ 1 & 1 & 1 & 1 & 1 & 1 & 1 & 1 & 1 & 1 & 1 & 1 & 1 & 1 & 1 & 1 \\ 1 & 1 & 1 & 1 & 1 & 1 & 1 & 1 & 1 & 1 & 1 & 1 & 1 & 1 & 1 & 1 \\ 1 & 1 & 1 & 1 & 1 & 1 & 1 & 1 & 1 & 1 & 1 & 1 & 1 & 1 & 1 & 1 \\ 1 & 1 & 1 & 1 & 1 & 1 & 1 & 1 & 1 & 1 & 1 & 1 & 1 & 1 & 1 & 1 \\ 1 & 1 & 1 & 1 & 1 & 1 & 1 & 1 & 1 & 1 & 1 & 1 & 1 & 1 & 1 & 1 \\ 1 & 1 & 1 & 1 & 1 & 1 & 1 & 1 & 1 & 1 & 1 & 1 & 1 & 1 & 1 & 1 \\ 1 & 1 & 1 & 1 & 1 & 1 & 1 & 1 & 1 & 1 & 1 & 1 & 1 & 1 & 1 & 1 \end{bmatrix}.$$

The probabilistic approximation of (33) is obtained by updating  $T^4$  by

$$T^4 = \begin{bmatrix} 1/16 & 1/16 & \dots & 1/16 \\ 1/16 & 1/16 & \dots & 1/16 \\ 1/16 & 1/16 & \dots & 1/16 \\ 1/16 & 1/16 & \dots & 1/16 \\ 3/16 & 3/16 & \dots & 3/16 \\ 3/16 & 3/16 & \dots & 3/16 \\ 3/16 & 3/16 & \dots & 3/16 \\ 3/16 & 3/16 & \dots & 3/16 \end{bmatrix} \in \Upsilon_{8 \times 16}.$$

- Consider  $\Sigma_5$ . Rename the variables as follows:

$$\begin{aligned} z_1 &= x_1, & z_2 &= x_5, & z_3 &= x_6, \\ z_4 &= x_8, & z_5 &= x_9, & z_6 &= x_{18}, \\ z_7 &= x_{21}, & z_8 &= x_{28}, & z_9 &= x_{32}; \\ v_1 &= x_{17}, & v_2 &= x_{29}; & q_1 &= y_1 = x_1, \\ q_2 &= y_2 = x_5. \end{aligned}$$

where  $v_1, v_2$  are block inputs,  $q_1 = y_1$ ,  $q_2 = y_2$  are overall system outputs.

Then the block dynamics can be expressed as

$$\begin{cases} z(t+1) = L_5 v(t) z(t), \\ q(t) = H_5 z(t), \end{cases} \quad (34)$$

where

$$L_5 = \delta_{512}[1, 65, 5, \dots, 508, 448, 512] \in \mathcal{L}_{512 \times 2048},$$

$$H_5 = \delta_4[1, 1, 1, \dots, 4, 4, 4] \in \mathcal{L}_{4 \times 512}.$$

It is calculated that

$$H_5 L_5 (I_4 \otimes H_5^T) := T^5$$

where

$$T^5 = \begin{bmatrix} 16 & 16 & \dots & 16 \\ 16 & 16 & \dots & 16 \\ 48 & 48 & \dots & 48 \\ 48 & 48 & \dots & 48 \end{bmatrix} \in \mathcal{M}_{4 \times 16}.$$

Then the quotient system of (34) is obtained by updating  $T^5$  by

$$T^5 = \mathbf{1}_{4 \times 16}$$

The probabilistic approximation of (34) is obtained by updating  $T^5$  by

$$T^5 = \begin{bmatrix} 1/8 & 1/8 & \dots & 1/8 \\ 1/8 & 1/8 & \dots & 1/8 \\ 3/8 & 3/8 & \dots & 3/8 \\ 3/8 & 3/8 & \dots & 3/8 \end{bmatrix} \in \Upsilon_{4 \times 16}.$$

Summarizing the above blocked simulated systems, an overall aggregated simulation for T-cell is depicted in Fig. 11, where

$$\begin{aligned} z_1^1 &= x_{20}, & z_2^1 &= x_{37}, & z_1^2 &= x_{19}, \\ z_2^2 &= x_{25}, & z_3^1 &= x_{22}, & z_2^3 &= x_{29}, \\ z_1^4 &= x_{23}, & z_2^4 &= x_{30}, & z_3^4 &= x_{17}, \\ z_1^5 &= x_1, & z_2^5 &= x_5. \end{aligned}$$

This aggregated simulation of the original system has only 11 state nodes and 3 controls. Of course, using the transition form of this quotient system, a further simplification can be done by using  $y_i$ ,  $i = 1, 2, 3, 4, 5$  as new nodes. This is a trade-off between computational load and precision of approximation.

## 7 Application to Finite Valued Networks

Consider a large scale  $k$ -valued network  $\Sigma$ . Assume  $\Sigma/\sim$  is its aggregated simulation and  $\Sigma_P$  is its probabilistic form. According to the construction one sees easily that they satisfy the following relation, which is depicted in Fig. 12.

**Proposition 26(i)** *When a  $k$ -valued (large scale) network  $\Sigma$  is approximated by its (aggregated) quotient*

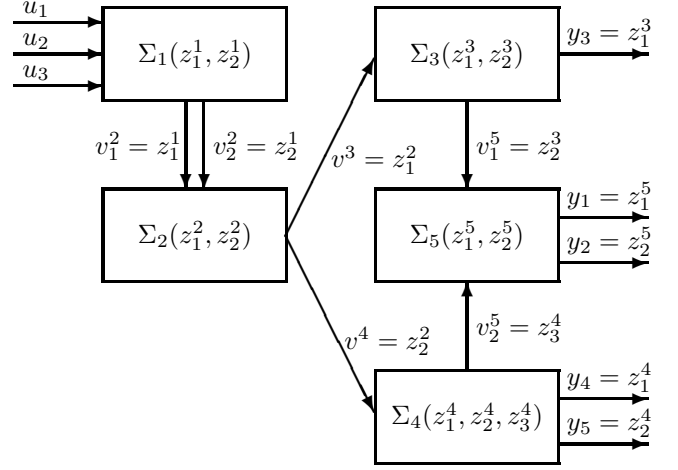


Fig. 11. Aggregated Simulation of T-Cell

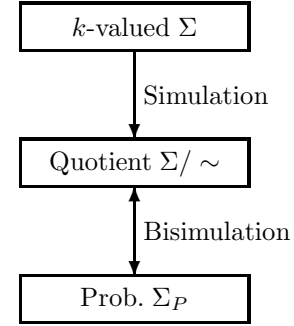


Fig. 12. Approximation to  $k$ -valued Networks

- system, the quotient system is its simulation, denoted by  $\Sigma/\sim$ .
- (ii) When  $\Sigma/\sim$  is approximated by its probabilistic form,  $\Sigma_P$ , then  $(\Sigma/\sim) \approx \Sigma_P$ . That is, they are bi-simulated.

Then the relationships (14) and (15) imply the following results immediately.

**Corollary 27** *Corollary 7.2*

- (i) *Consider Input-Output Decoupling:*

$$\text{Solvable for } \Sigma_P \Rightarrow \text{Solvable for } \Sigma.$$

- (ii) *Consider Disturbance Decoupling:*

$$\text{Solvable for } \Sigma_P \Rightarrow \text{Solvable for } \Sigma.$$

- (iii) *Consider Realization:*

$$\text{Solvable for } \Sigma_P \Rightarrow \text{Solvable for } \Sigma.$$

If  $\Sigma \approx \Sigma_P$  (or  $\Sigma \approx \Sigma / \sim$ ) more properties can be obtained. We refer to [22,16,23,24] for these.

## References

- [1] A. Adamatzky, On dynamically non-trivial three-valued logics: oscillatory and bifurcatory species, *Chaos Sokitons Fractals*, Vol. 18, 917-936, 2003.
- [2] C. Belta, B. Yordanov, E.A. Gol, *Formal Methods for Discrete-Time Dynamic Systems*, Springer, Switzerland, 2017.
- [3] E. Berlekamp(1968), *Algebraic Coding Theory*, McGraw-Hill, New York.
- [4] G. Birkhoff(1967), *Lattice Theory*, 3 rd ed., Colloq. Pub., Vol. 25, Amer. Math. Soc., Providence.
- [5] C. Carlet(2010), *Boolean Function for Cryptography and Correcting Codes*, in *Boolean Models and Methods in Mathematics*, (Y. Crama, P. Hammer (eds.)), 257-397, Cambridge Univ. Press, Cambridge.
- [6] D. Cheng, H. Qi, Linea representation of dynamics of Boolean networks, *IEEE Trans. Aut. Contr.*, Vol. 55, No. 10, 2251-2258, 2010.
- [7] D. Cheng, H. Qi, Z. Li (2011), *Analysis and Control of Boolean Networks - A Semi-tensor Product Approach*, Springer, London, 2011.
- [8] D. Cheng, H. Qi, Y. Zhao, *An Introduction to Semi-tensor Product of Matrices and Its Applications*, World Scientific, Singapo, 2012.
- [9] T. Chen, U.M. Braga-Neto, Maximum-likelihood estimation of the discrete coefficient of determination if stochastic Noolean systems, *IEEE Trans. Signal Process*, Vol. 61, No. 15, 3880-3894, 2013.
- [10] D. Cheng, Y. Wu, G. Zhao, S. Fu, A comprehensive survey on STP approach to finite games, *J. Sys. Sci. Compl.*, Vol. 34, No. 5, 1666-1680, 2021.
- [11] D. Cheng, Z. Ji, On networks over finite rings, *J. Franklin Inst.*, Vol. 359, No. 14, 7562-7599, 2022.
- [12] E. Fornasini, M.E. Valcher, Recent developments in Boolean networks control, *J. Contr. Dec.*, Vol. 3, No. 1, 1-18, 2016.
- [13] A.G. Hamilton, *Logic for Mathematicialn*, Revised Edition, Pub. Tsionhua Univ., Beijing, 2003.
- [14] S. Huang, D. Ingber(2000), Shape-dependent control of cell growth, differentiation, and apoptosis: switching between attractors in cell regulatory networks. *Exp. Cell Res.*, Vol. 261, No. 1, 91-103.
- [15] Z. Ji, D. Cheng, Control networks over finite lattices, preprint, arXiv:2208.03716, 2022.
- [16] N. Jiang, C. Huang, Y. Chen, J. Kurths, Bisimulation-based stabilization of probabilistic Boolean control networks with state feedback control, *Front Inform. Technol. Electron. Eng.*, Vol. 21, No. 2, 268-280, 2020.
- [17] S. Kauffman(1969), Metabolic stability and epigenesis in randomly constructed genetic nets, *J. Theor. Biol.*, Vol. 22, No. 3, 437-467.
- [18] S. Kauffman(1993), *The Origins of Order: Self-organization and Selection in Evolution*, Oxford Univ. Press, London.
- [19] S. Kauffman(1995), *At Home in the Universe*, Oxford Univ. Press, London.
- [20] S. Klamt, J. Saez-Rodriguez, J.A. Lindquist, L. Simeomi, E.D. Gilles, A methodology for the structural and functional analysis of signaling and regulatory networks, *BMC Bioinform.*, Vol. 7, No. 1, Art.no.56, 2006.
- [21] H. Li, G. Zhao, M. Meng, J. Feng, A survey on applications of semi-tensor product method in engineering, *Science China*, Vol. 61, 010202:1-010202:17, 2018.
- [22] R. Li, T. Chu, X. Wang, Bisimulations of Boolean control networks, *SIAM J. Opt.*, Vol. 51, No. 1, 388-416, 2018.
- [23] R. Li, Q. Zhang, T. Chu, Reduction and analysis of Boolean control networks by bisimulation, *SIAM J. Opt.*, Vol. 59, No. 2, 1033-1056, 2021.
- [24] R. Li, Q. Zhang, T. Chu, Bisimulations of Probabilistic Boolean networks, *SIAM J. Opt.*, Vol. 60, No. 5, 2631-2657, 2022.
- [25] J. Lu, H. Li, Y. Liu, F. Li, Survey on semi-tensor product method with its applications in logical networks and other finite-valued systems, *IET Contr. Thm& Appl.*, Vol. 11, No. 13, 2040-2047, 2017.
- [26] M. Meng, X. Li, G. Xiao, Synchronization of networks over finite fields, *Automatica* 115 (2020) 108877.
- [27] A. Muhammad, A. Rushdi, F.A. M. Ghaleb, A tutorial exposition of semi-tensor products of matrices with a stress on their representation of Boolean function, *JKAU Comp. Sci.*, Vol. 5, 3-30, 2016.
- [28] F. Robert(1986), *Discrete Iterations: A Metric Study*, Translated by J. Rolne, Springer, Berlin.
- [29] W.M. Schmidt(1976), *Equations over Finite Fields, An Elementary Approach*, Springer-Verlag, Berlin.
- [30] I. Shmulevich, E. Dougherty, S. Kim, W. Zhang, Probabilistic Boolean networks: a rulebased uncertainty model for gene regulatory networks, *Bioinformatics*, Vol. 18, No. 2, 261-274, 2002.
- [31] A.M. Turing(1950), Computing machinery and intelligence, *Mind*, Vol. 59, 433-460. (retitled as "Can a machine think?" in *The world of mathematics*, Vol. 5, Ed. J.R. Newman, et al., New York, 1956).
- [32] M. Waldrop, *Complexity: The emerging Science at the Edge of Order and Chaos*, Touchstone, New York, 1992.
- [33] Y. Yan, D. Cheng, J. Feng, J. Yue(2022), Survey on applications of algebraic state space theory of logical systems to finite state machines, *Sci. China Inf. Sci.*, <https://doi.org/10.1007/s11432-022-3538-4>.
- [34] J. Yue, Y. Yan, Z. Chen, H. Deng(2021), State space optimization of finite state machines from the viewpoint of control theory, *iFront Inform. Technol. Electron. Egg.*, Vol. 22, No. 12, 1598-1609.
- [35] J. Zhong, Y. Pan, D. Lin(2021), On Galois NFSRs equivalent to Fibonacci Ones, In Y. Wu, M. Yung (eds), *Information Security and Cryptology*. Inscript 2020. Lecture Notes in Computer Science (LNCS), Vol. 12612, Springer, Cham., 433-449, 2021.
- [36] S. Zhu, J. Liu, J. Zhong, Y. Liu, J. Cao(2022), Sensors design for large-scale Boolean networks vis pinning observability, *IEEE Trans. Aut. Contr.*, Vol. 67, No. 8, 4162-4169.